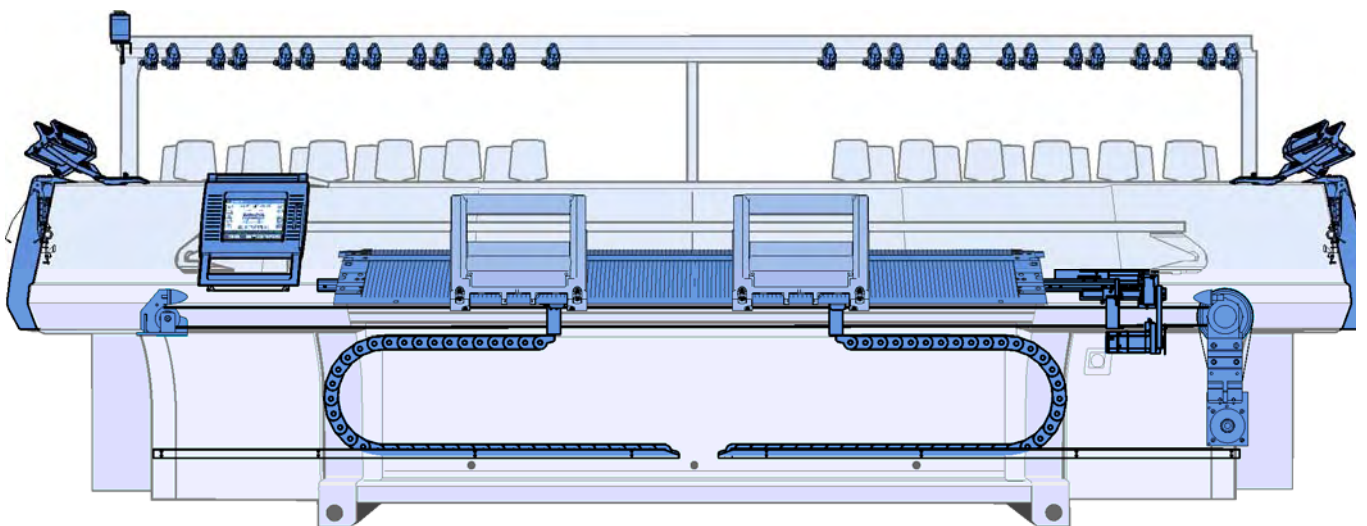


**CMS 933**

**(Type 769)**

**Component Type 004**



Issue 04/2009

Document-no. 243962\_08\_GB

# Introduction

## Notes for the order

This catalog serves to order spare parts.  
It can only be applied to the machine type recorded on the title page.

When ordering spare parts we imperatively ask for the following indications as otherwise a delivery of spare parts is not possible:

1. Type of machine, gauge, no. of machine.
2. Page no., designation, ID, quantity.

Please use the order form!

Only genuine STOLL spare parts may be used for repairs.

## Order form

Telefon +49 (7121) 313-289  
Telefax +49 (7121) 313-347  
email: spareparts@stoll.com

H. Stoll GmbH & Co. KG  
PO box 2544

D-72715 Reutlingen

Order number

Receipt date

Company

Name

Street

Postal code town

Phone

Fax

Customer no.

Shipping mode

Date of order

Maschine type

Gauge

Masch.-Nr.

Sirix-Nr.

## Spare parts order

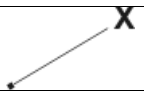

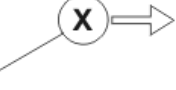
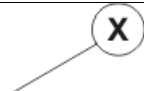
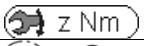



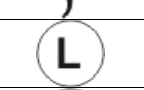

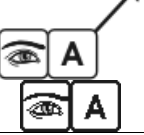
Page no.	Designation	Ident no.	Piece no.	Comment

Date

Signature

## Search help

In order to make the search of the spare parts easier, the following elements will be used in the spare parts catalog:

Symbol	Meaning
$\Sigma$	Indicates an assembly
	Position indicator with the position number (X).
	Indicates an element of another assembly.
	Indicates an assembly which is represented more detailed beside.
	Indicates an assembly which is represented on another page more detailed.
	Screw torques (z) deviating from the preferential row.
	Detail, represented enlarged in the direction of the arrow.
	Explosion representation, single elements enlarged.
	Indicates a group of parts.
	Indicates the left-hand side or view.
	Indicates the right-hand side or view.
	Indicates a section or a view in the viewing direction.

## Torques

<b>Drehmomente</b> <b>Torques</b> <b>Couples</b> <b>Coppias</b> <b>Momentos de rotación</b> [Nm] ± 10 % (für $\mu_{ges} = 0,12$ )		Festigkeitsklassen Property class Classes de résistance Classi di resistenza Clases de resistencia		
		4,8	8,8	12,9
Regelgewinde Coarse-pitch thread Filetage à pas gros Filetto regolatore Filete regulador	M3	<b>0,6</b>	<b>1,2</b>	<b>2,5</b>
	M4	<b>1,2</b>	<b>2,5</b>	<b>5</b>
	M5	<b>2,5</b>	<b>5</b>	<b>9</b>
	M6	<b>5</b>	<b>9</b>	<b>18</b>
	M8		<b>18</b>	<b>40</b>
	M10		<b>40</b>	
	M12		<b>80</b>	

### Preferential row of screw torques

- Torques are **valid for**:  
Connection steel-steel, black, phosphatized, galvanized, rolled or cut thread as well as only for plain (head) supports.
- Torques are **not valid for**:  
They are also not used for self-grooving threads, protected screws with: lock washers, rib heads, coated and clamping screws and nuts. They are also not used for self-grooving threads.
- Torques differing from this preferential row of torques must be taken from the corresponding location in the drawings.



# Table of contents

<b>Introduction</b> .....	<b>2</b>
Search help .....	4
Torques .....	5
<b>Carriage drive</b> .....	<b>12</b>
Drive.....	13
Drive unit .....	14
Tension bearing.....	15
Energy chain and plunger .....	16
<b>Racking</b> .....	<b>17</b>
Racking drive.....	18
<b>Needle beds</b> .....	<b>19</b>
Needle bed E5.....	20
Continuation needle bed E5.....	21
Needle bed E7.....	22
Continuation needle bed E7 .....	23
Needle bed E8.....	24
Continuation needle bed E8.....	25
Needle bed E10.....	26
Continuation needle bed E10.....	27
Needle bed E12.....	28
Continuation needle bed E12 .....	29
Needle bed E14.....	30
Continuation needle bed E14.....	31
Needle bed E16.....	32
Continuation needle bed E16.....	33
Needle bed E5m.4.....	34
Continuation needle bed E5m.4 .....	35
Needle bed E7m.5.....	36
Continuation needle bed E7m.5 .....	37
Needle bed E7m.8.....	38
Continuation needle bed E7m.8 .....	39
Needle bed E8m.7.....	40
Continuation needle bed E8m.7 .....	41
Needle bed E10m.12.....	42
Continuation needle bed E10m.12 .....	43
Needle bed E12m.10.....	44

Continuation needle bed E12m.10 .....	45
Needle bed E3,5.2.....	46
Continuation needle bed E3,5.2.....	47
Needle bed E5.2.....	48
Continuation needle bed E5.2.....	49
Needle bed E6.2.....	50
Continuation needle bed E6.2.....	51
Needle bed E7.2.....	52
Continuation needle bed E7.2.....	53
Needle bed E8.2.....	54
Continuation needle bed E8.2.....	55
Cover on the left and on the right .....	56
<b>Tandem carriage.....</b>	<b>57</b>
Complete Carriage.....	58
Overview of Carriage Parts .....	59
Carriage .....	60
Carriage coupling .....	61
Needle detector .....	62
Carriage cover .....	63
Carriage guide.....	64
Spare parts package carriage guide bar.....	65
Brush holder .....	66
Yarn carrier driving without guiding part .....	67
Yarn carrier driving with guiding part.....	68
Holding-down jack control.....	69
Cam box E5 + E3,5.2 + E5.2 + E5m.4 + E7m.5.....	70
Cams E5 + E2,5.2 + E3,5.2 + E5.2 + E5m.4 + E7m.5 .....	71
Cams for narrow coupling E5 + E7-8 + E5m.4 + 7m.5 + E7m.8 + E8m.7.....	72
Cam box E7 + E8 + E7m.8 + E8m.7 .....	73
Cams E7 + E8 + E7m.8 + E8m.7 .....	74
Cam box E10.....	75
Cams E10.....	76
Cams for narrow coupling E10-14 + E10m.12 + E12m.10 + E6.2 + E7.2.....	77
Cam box E12.....	78
Cams E12.....	79
Cam box E14.....	80
Cams E14.....	81
Cam box E16.....	82
Cams E16.....	83
Cams for narrow coupling E16 + E8.2.....	84
Cam box E10m.12.....	85
Cams E10m.12.....	86



THE RIGHT WAY TO KNIT

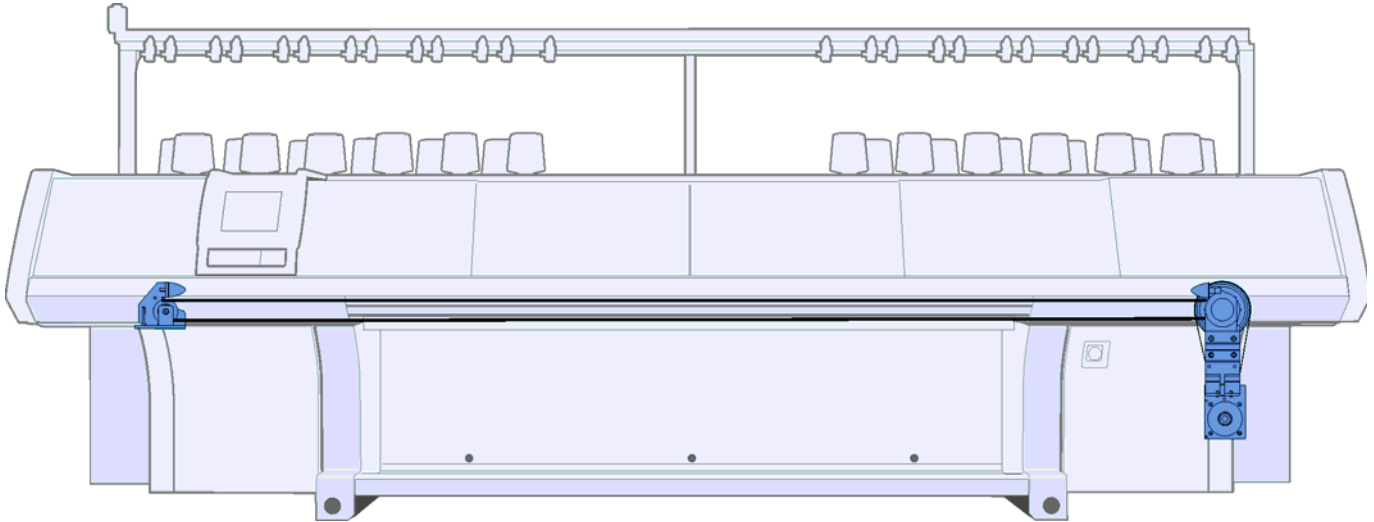
Cam box E12m.10 .....	87
Cams E6.2 (12m.10).....	88
Cam box E6.2.....	89
Cams E6.2.....	90
Cam box E7.2.....	91
Cams E7.2.....	92
Cam box E8.2.....	93
Cams E8.2.....	94
<b>Main take-down.....</b>	<b>95</b>
Main take-down .....	96
Take-down roller .....	97
Contact shaft .....	98
Take-down gear assembly .....	99
Take-down motor with block.....	100
Fabric stripper.....	101
<b>Auxiliary take-down .....</b>	<b>102</b>
Auxiliary take-down.....	103
Main bearing.....	104
Motor on the left.....	105
Take-down roller .....	106
Gear .....	107
Motor on the right.....	108
<b>Yarn delivery device .....</b>	<b>109</b>
Yarn guide system from 26 up to 30 FKE .....	110
Yarn guide system with 36 FKE .....	111
Left yarn guide .....	112
Left yarn tensioner .....	113
Left tension axle.....	114
Yarn brake and yarn deflector .....	115
Deflector.....	116
Yarn guide inside .....	117
Right yarn guide.....	118
Right yarn tensioner.....	119
Right tension axle .....	120
Bobbin board .....	121
Yarn carrier and guide rails .....	122
Complete yarn carriers.....	123
<b>Fluff absorption .....</b>	<b>124</b>
Fluff absorption.....	125
Lint container .....	126
Set of tubes on the left and right.....	127
Suction tube.....	128
<b>Central lubrication .....</b>	<b>129</b>
Central lubrication.....	130
Lubricating unit at the front complete.....	131

Distributor complete.....	132
Lubricating unit at the rear complete .....	133
<b>Operation and control .....</b>	<b>134</b>
Input unit .....	135
Starting unit .....	136
Bearing of the engaging rod.....	137
Signal light.....	138
Shock stop motion (up to E14) .....	139
Shock stop motion E16-18 .....	140
Measuring device E5 + 8 .....	141
Measuring device E10 + 16.....	142
<b>Protective device .....</b>	<b>143</b>
Lateral safety covers.....	144
Rear panel.....	145
Panelling .....	146
<b>Electrical equipment.....</b>	<b>147</b>
Fuses .....	148
Circuit diagram as PDF.....	149
Trailing cable .....	150
Loom of cables 1 .....	151
Loom of cables 2 .....	152
Loom of cables 3 .....	153
<b>Control electronics .....</b>	<b>154</b>
Left control cabinet .....	155
Right control cabinet.....	156
<b>Deliverable accessories .....</b>	<b>157</b>
Tool.....	158
Lubricating stuff .....	159
Mechanical parts .....	160
<b>Special attachments .....</b>	<b>161</b>
STIXX device.....	162
Plating yarn carrier 3+6.....	163
Plating yarn carrier 4+5.....	164
Carriage of plating yarn carrier.....	165
Carriage of plating yarn carrier (adjustable).....	166
Complete intarsia yarn carriers type 1 .....	167
Carriage IYC.....	168
Bow and head IYC.....	169
Bobbin holder on the left.....	170
Bobbin holder on the right.....	171

THE RIGHT WAY TO KNIT

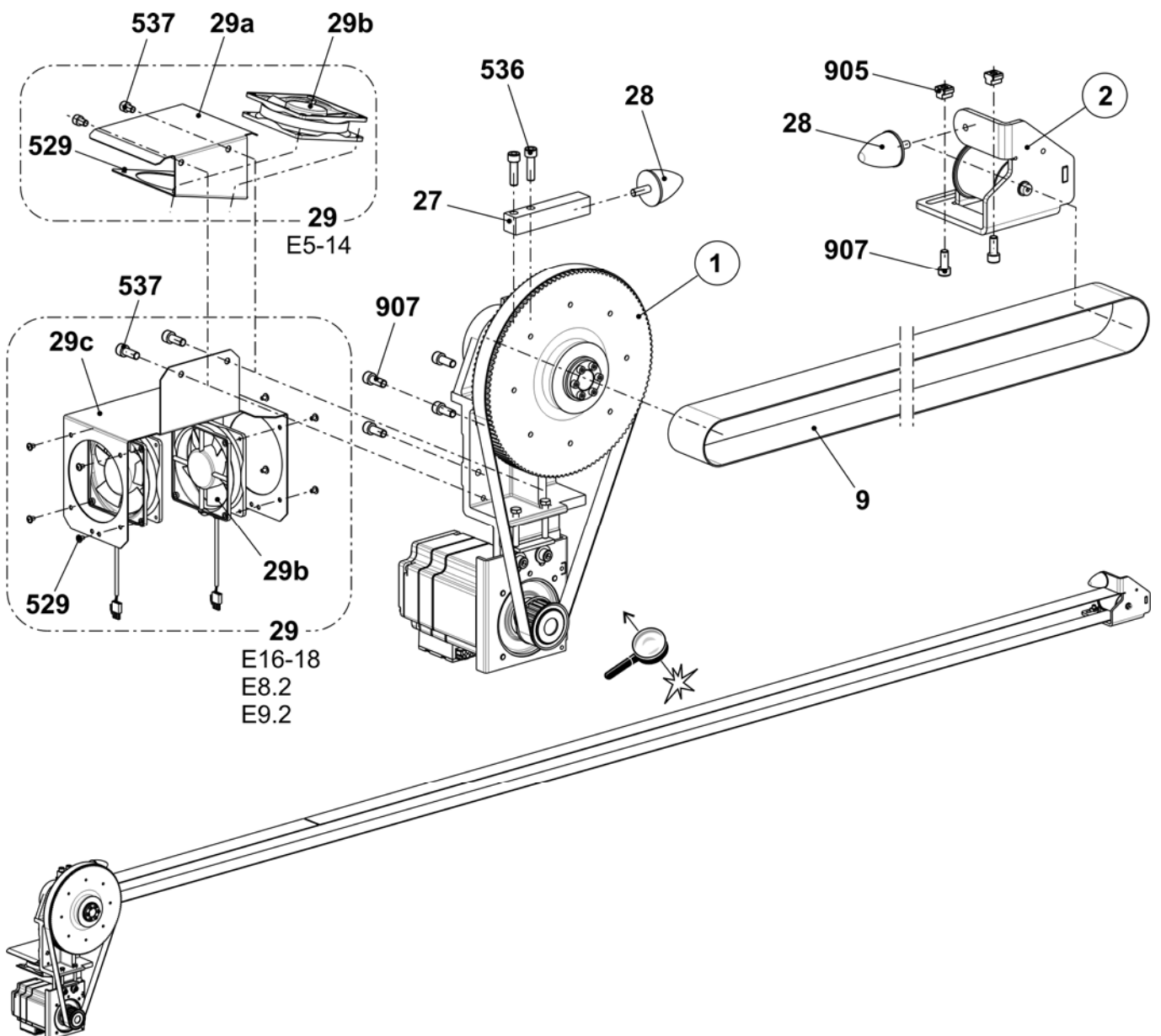
Friction feed wheel on the left and on the right co.....	172
Left friction feed wheel .....	173
Right friction feed wheel.....	174
Feed wheel SFE .....	175
Additional bobbin board .....	176
Additional board at the bottom.....	177
<b>Conversion kit 32 IYC .....</b>	<b>178</b>
Overview of conversion kit E5 .....	179
Overview of conversion kit E7-18 .....	180
Yarn tensioner on the left.....	181
Yarn tensioner on the right.....	182
Tension axle .....	183
Parts for the yarn guide system.....	184
Yarn guide complete E5 IYC.....	185
Yarn guide complete E7-8 IYC.....	186
Yarn guide complete E10-14 IYC .....	187
Yarn guide complete E16-18 IYC .....	188
Friction feed wheel on the left and on the right co.....	189
Friction feed wheel on the left.....	190
Friction feed wheel on the right .....	191

# Carriage drive



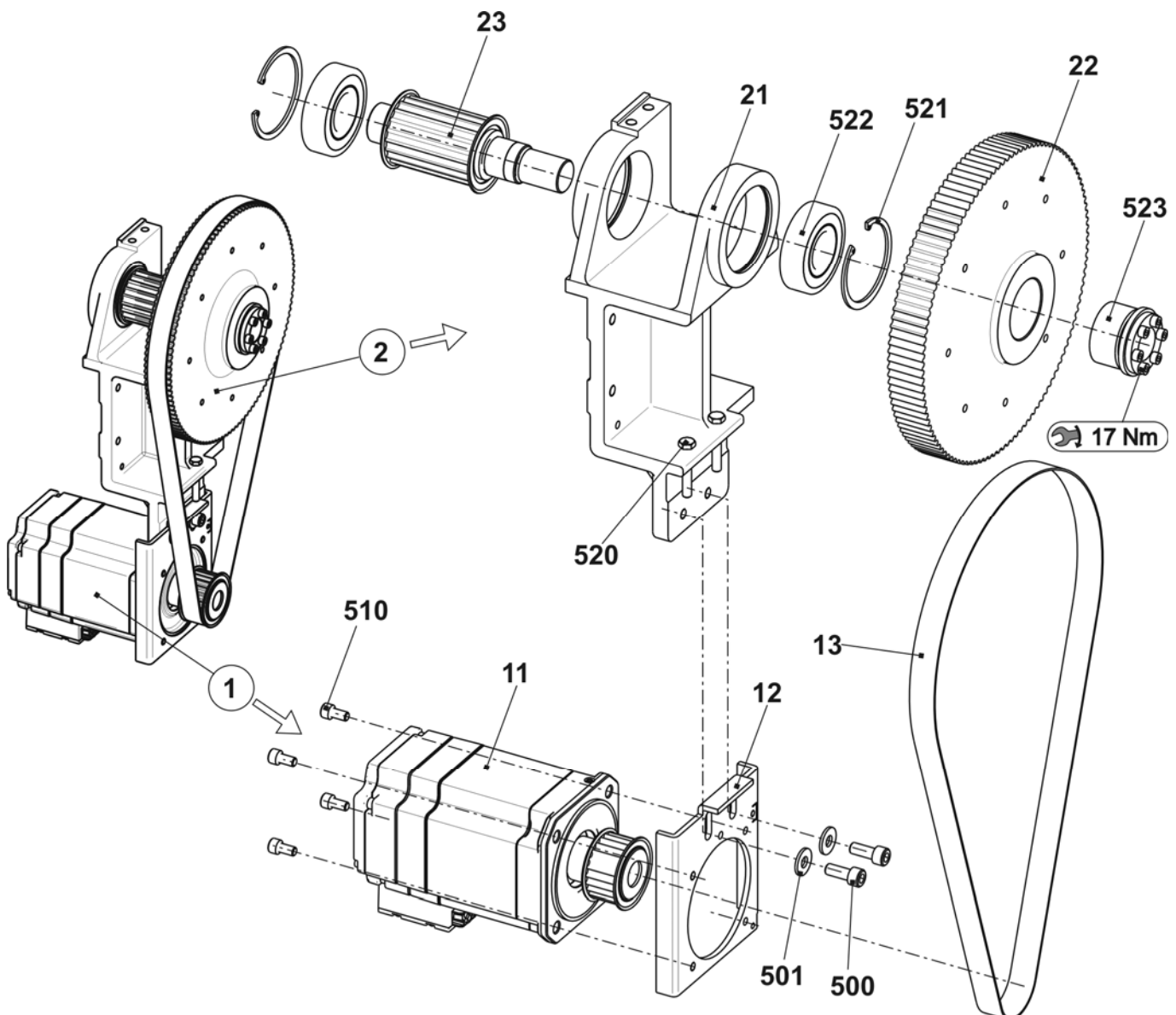
## Drive

Pos	Designation	ID No.	Pos	Designation	ID No.
<b>Σ</b>	<b>Drive</b>		29	Ventilator complete	242 413
1	Drive unit complete	242 380		Ventilator complete (bei E16-18 + E8.2 + E9.2)	245 167
2	Tension bearing complete	253 614	29a	Ventilator plate drive motor	241 823
9	Toothed belt 75AT10/8830	253 886	29b	Ventilator complete 512	213 722
27	Support buffer	242 748	29c	Ventilator plate drive motor	245 037
28	Parabolic spring	200 661	529	Screw M5x8	
536	Cap screw M10x35	020 159	905	Slide nut M10x2	023 471
537	Cap screw M8X12	023 138	907	Cap screw M10X25	020 157



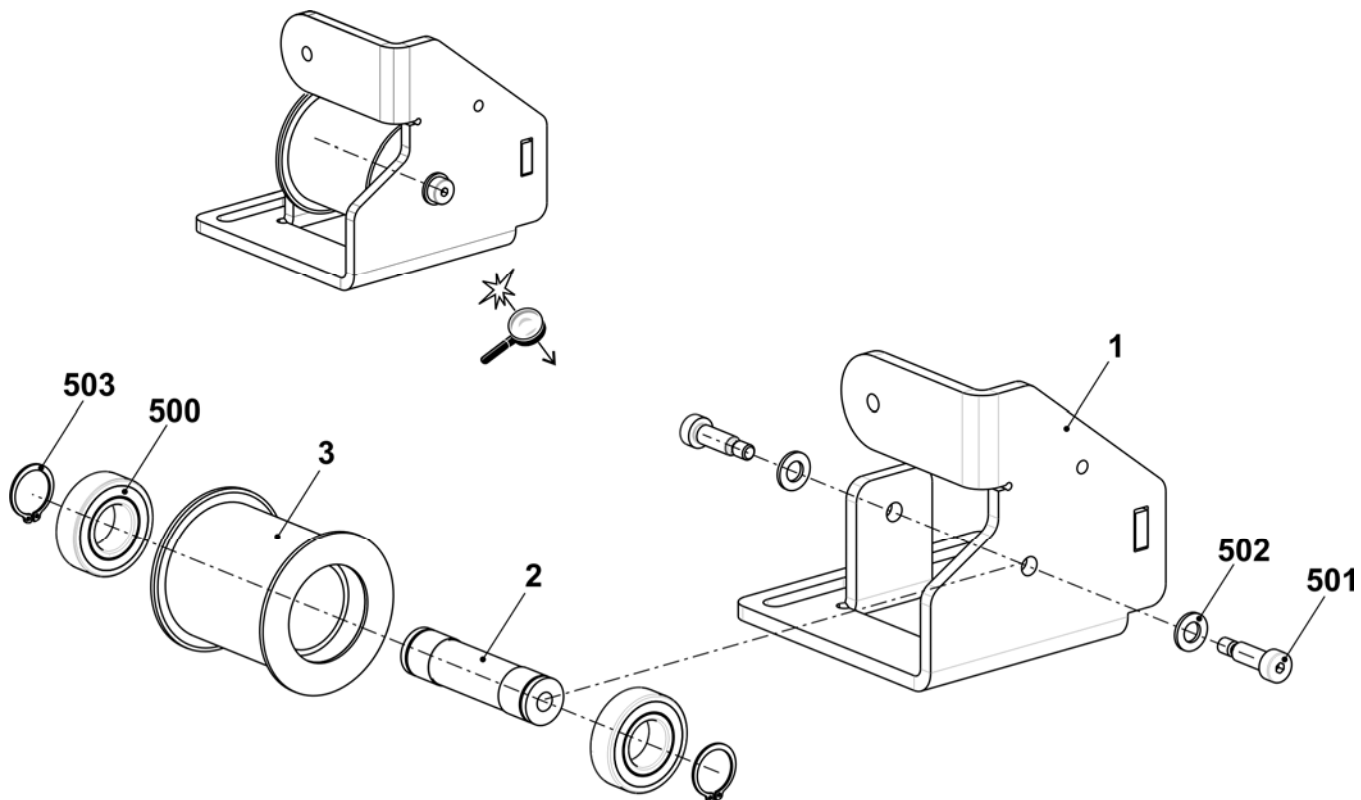
**Drive unit**

Pos	Designation	ID No.	Pos	Designation	ID No.
<b>Σ</b>	<b>Drive unit complete</b>	<b>242 380</b>	2	Drive bearing	242 378
1	Drive unit	242 379	21	Housing drive bearing	242 344
11	Three phase servo motor drive complete	242 377	22	Timing belt pulley 115 S8M 250	240 639
12	Motor plate	227 662	23	Pinion AT10 Z=20	216 587
13	Toothed belt 250 HP-S8M 1312	240 646	520	Hexagon screw M8x50	020 364
510	Cap screw M8x16	023 629	521	Locking ring 80x2.5	023 461
500	Cap screw M10x25	020 157	522	Grooved ball bearing 6307-2RS	023 462
501	Disc 10,5X25X2,5	022 178	523	Tension set 30X55	023 208



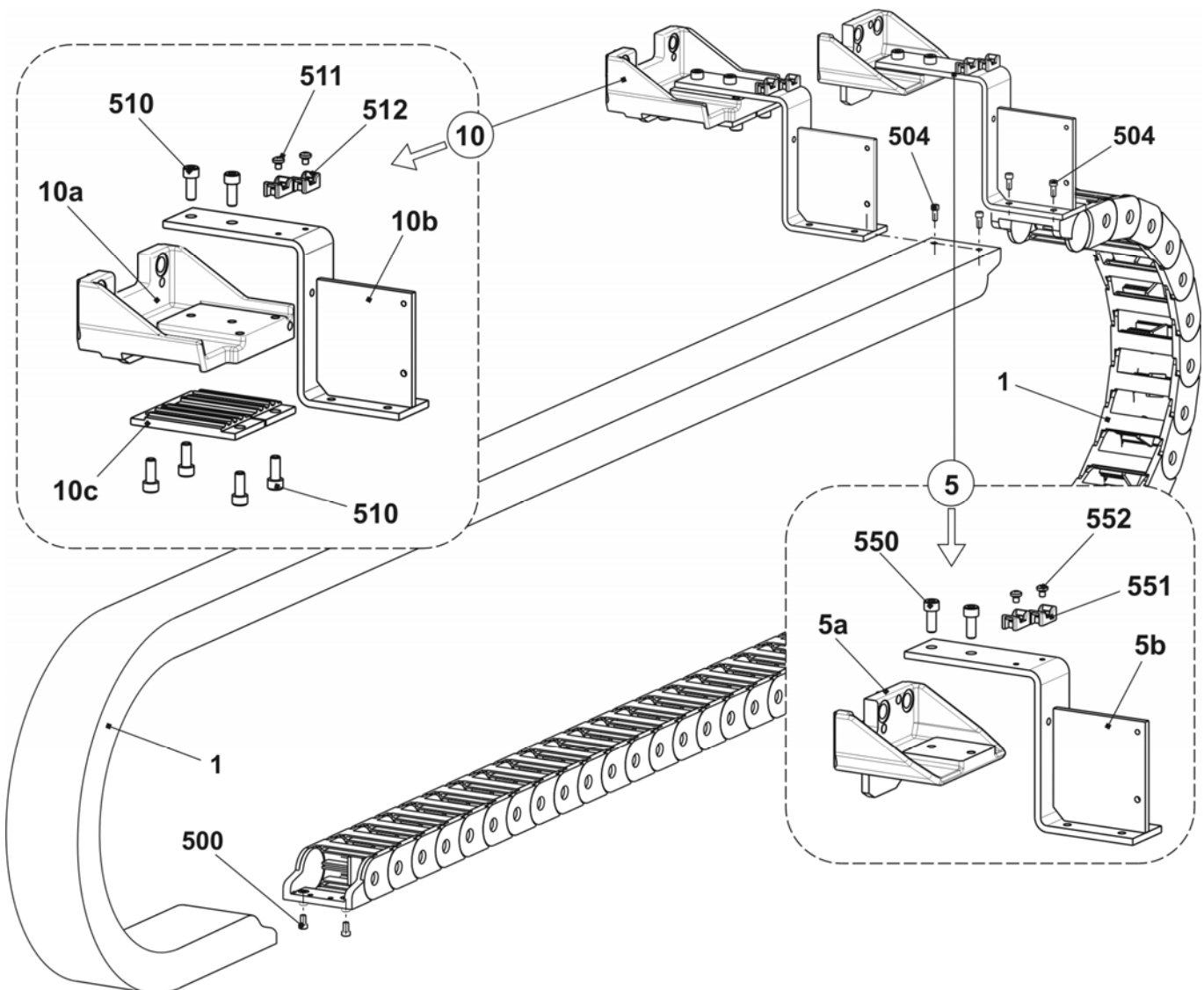
## Tension bearing

Pos	Designation	ID No.	Pos	Designation	ID No.
<b>Σ</b>	<b>Tension bearing complete</b>	<b>253 614</b>	500	Grooved ball bearing 6205-2RS	023 559
1	Tension bearing	253 611	501	Cap screw M10x25	023 751
2	Axle	253 613	502	U-washer 10	020 874
3	Tension roller	253 612	503	Locking ring 25x1,2	251 617



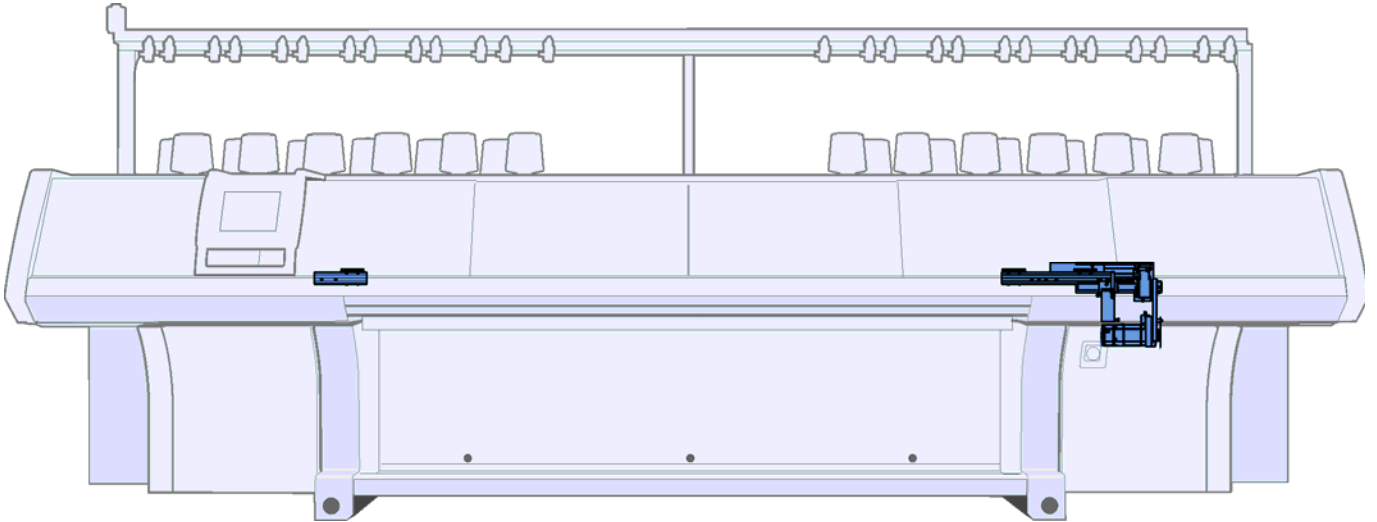
## Energy chain and plunger

Pos	Designation	ID No.	Pos	Designation	ID No.
1	Energy chain 45 links	220 389	10	Carriage driver complete	242 743
500	Cap screw M6x8	023 411	10a	Carriage driver	242 738
5	Stop point complete	242 774	10b	Cable driver	242 730
	A5 Stop point	242 753	10c	Clamping plate	232 493
	5b Cable driver	242 730	510	Cap screw M8X20	020 141
	550 Cap screw M8X20	020 141	511	Countersunk screw M5x6	023 284
	551 Fixing element	026 489	512	Fixing element	026 489
552 Countersunk screw M5x6	023 284	504	Cap screw M6x12	020 134	



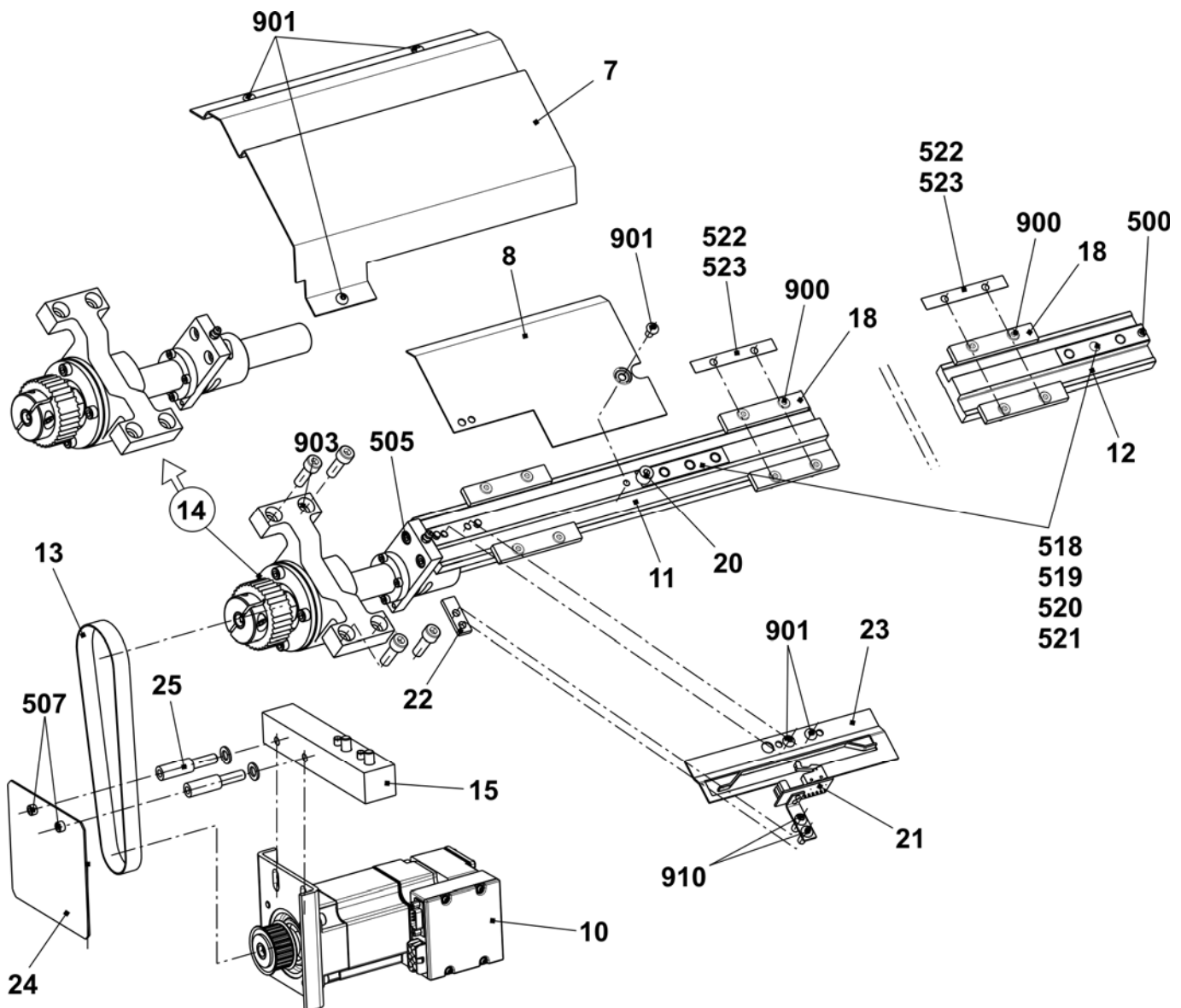


# Racking

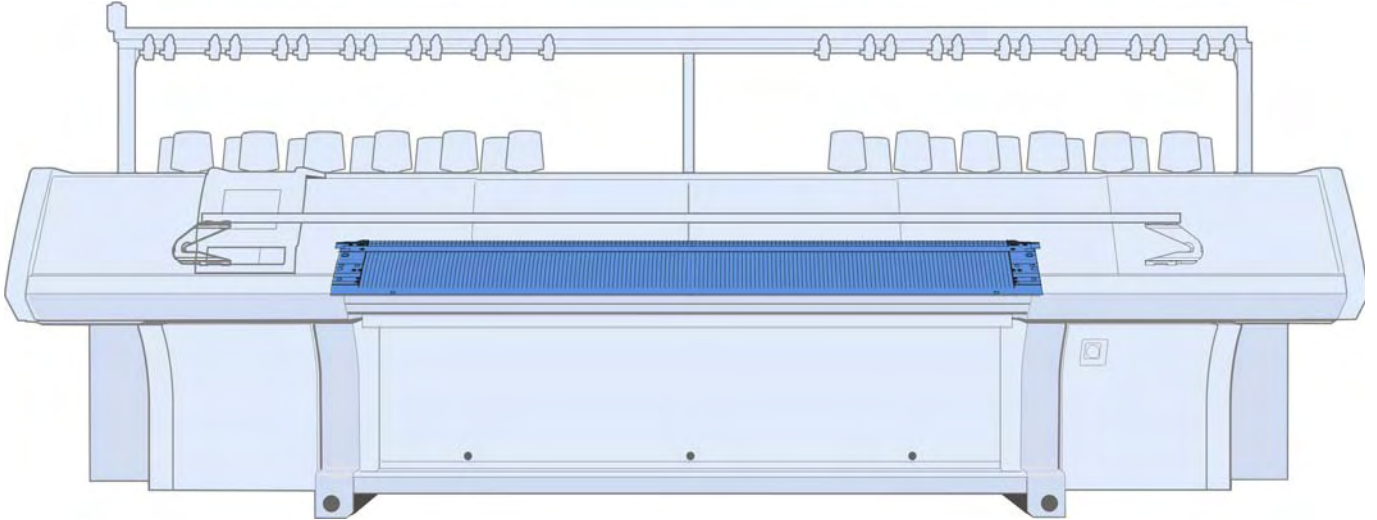


# Racking drive

Pos	Designation	ID No.	Pos	Designation	ID No.
<b>Σ</b>	<b>Racking</b>		25	Distance bolt	232 543
7	Racking cover plate	242 314	500	Cap screw M4x4	022 767
8	Racking cover plate movable	242 312	505	Cap screw M6x16	023 116
10	Three-phase servo motor racking complete	241 454	507	Cap screw M5x12	020 132
11	Racking strip	242 311	518	Shim 0,03x15x85	023 162
12	Racking strip on the left	211 022	519	Shim 0.05x15x85	023 163
13	Toothed belt 150 S 5M 490	229 281	520	Shim 0.1x15x85	023 164
14	Spindle bearing	253 262	521	Shim 0.2x15x85	023 170
15	Bearing	227 604	522	Shim 0,03x11x80	023 286
18	Guide strip	206 382	523	Shim 0,05x11x80	023 287
20	Stop screw	218 783	530	Countersunk screw M6x10	023 183
21	Card racking limit switch	229 396	900	Cap screw M6x12	022 795
22	Shim	229 715	901	Countersunk screw M6x10	023 183
23	Switching metal plate	240 722	903	Cap screw M8X25	020 142
24	Cover plate	232 544	910	Countersunk screw M6x16	023 124

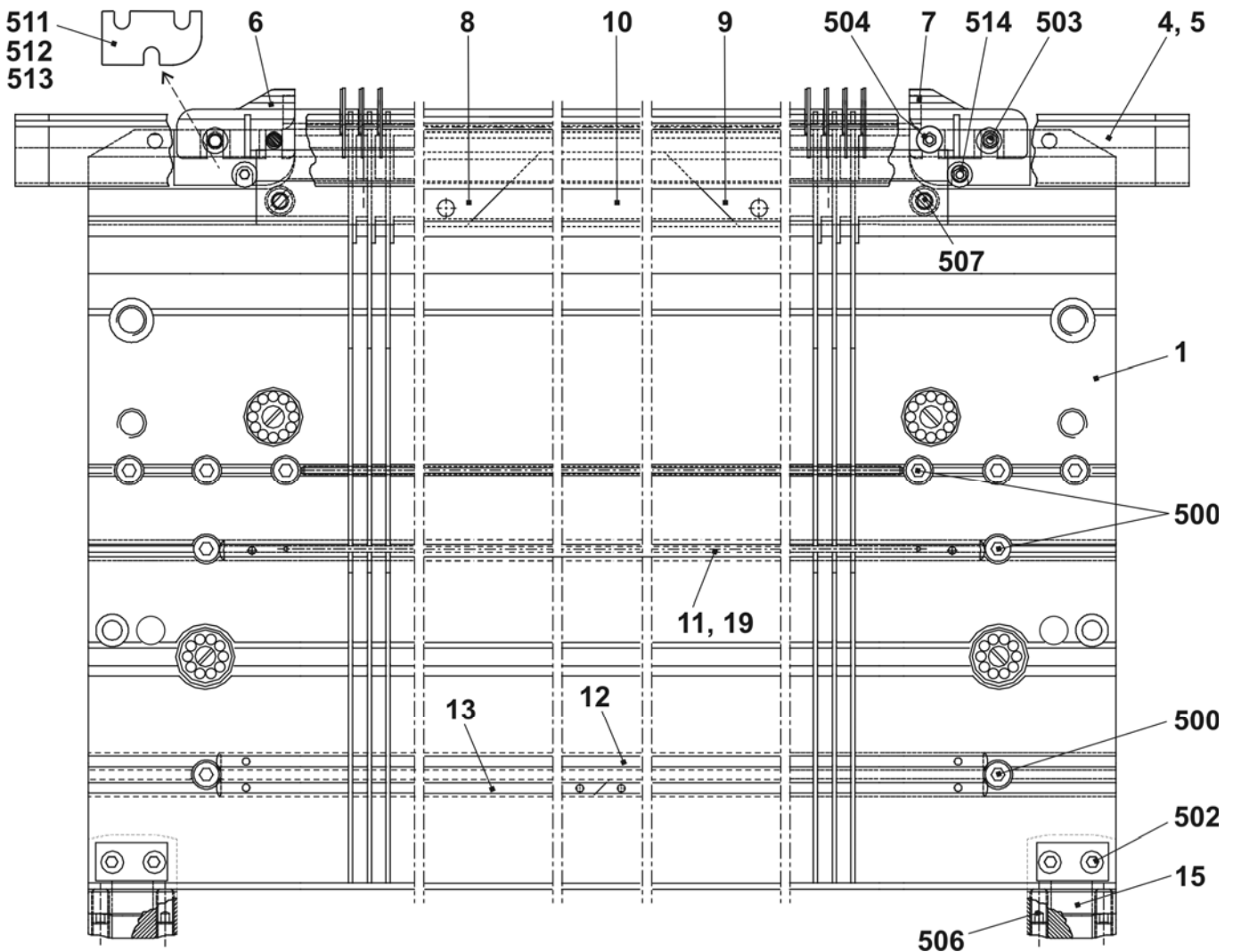


# Needle beds



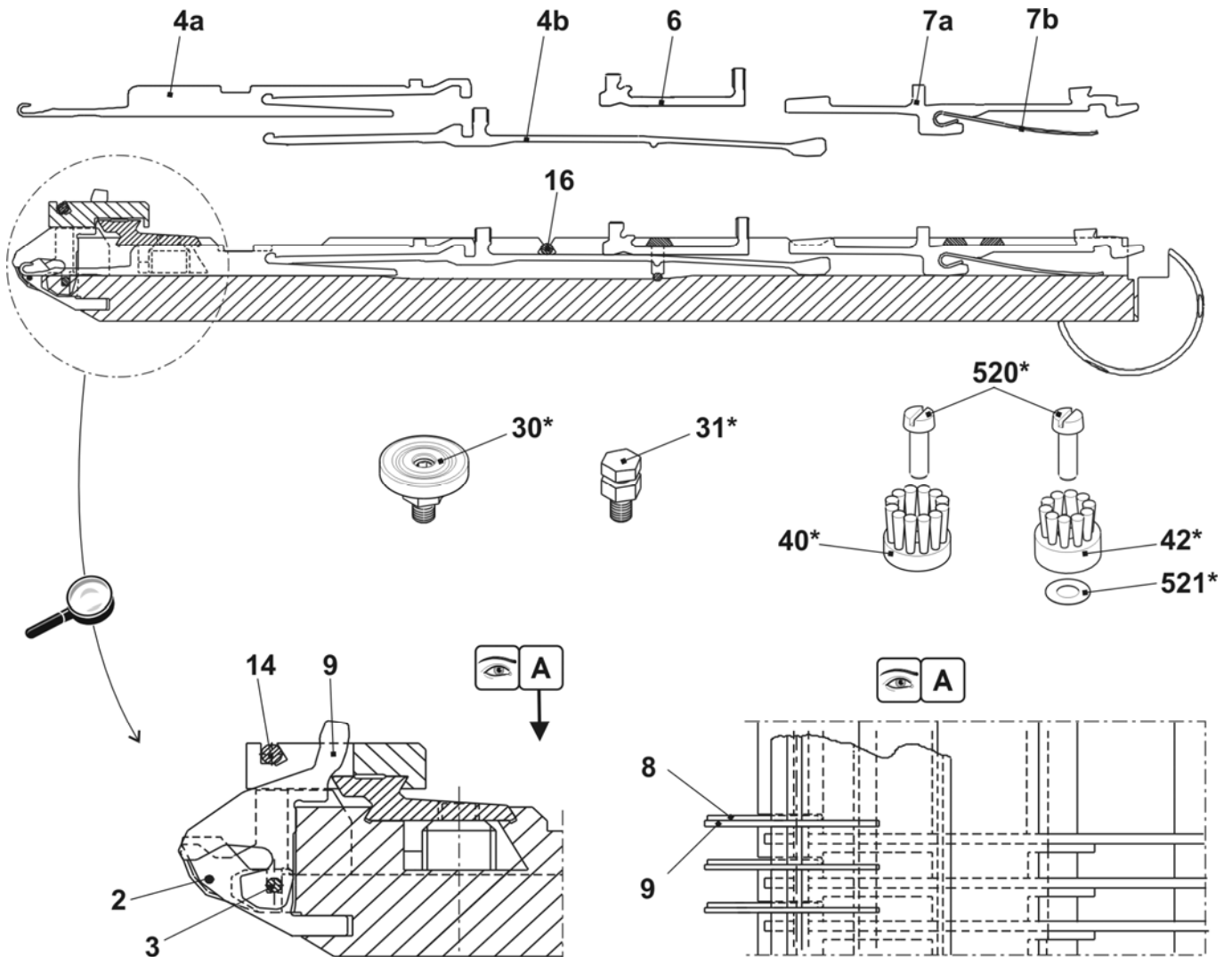
## Needle bed E5

Pos	Designation	ID No.	Pos	Designation	ID No.
$\Sigma$	<b>Needle bed complete at the front and rear E5</b>	<b>210 427</b>	15	Support	206 352
1	Needle bed at the front + rear E5	210 991	19	Cover rail at the rear	210 979
4	Holding-down jack bed at the front E5	211 038	500	Cap screw M5x10	022 918
5	Holding-down jack bed at the rear E5	211 045	502	Cap screw M6x25	020 137
6	Limiters on the left E4-E8	205 343	503	Cap screw M5x8-8.8	023 154
7	Limiters on the right E4-8	205 344	504	Cap screw M5x22	023 193
8	Coupling part	205 311	506	Set screw M6x12-45	022 400
9	Needle rail on the right	205 312	507	Sprung thrust piece B-M10	023 177
10	Coupling part	210 977	511	Shim 0.05x18.5x34	023 196
11	Cover rail at the front E5	210 982	512	Shim 0.1x18.5x34	023 197
12	Cover rail	210 978	513	Shim 0.2x18.5x34	023 253
13	Cover rail	210 980	514	Cap screw M5x8	023 379



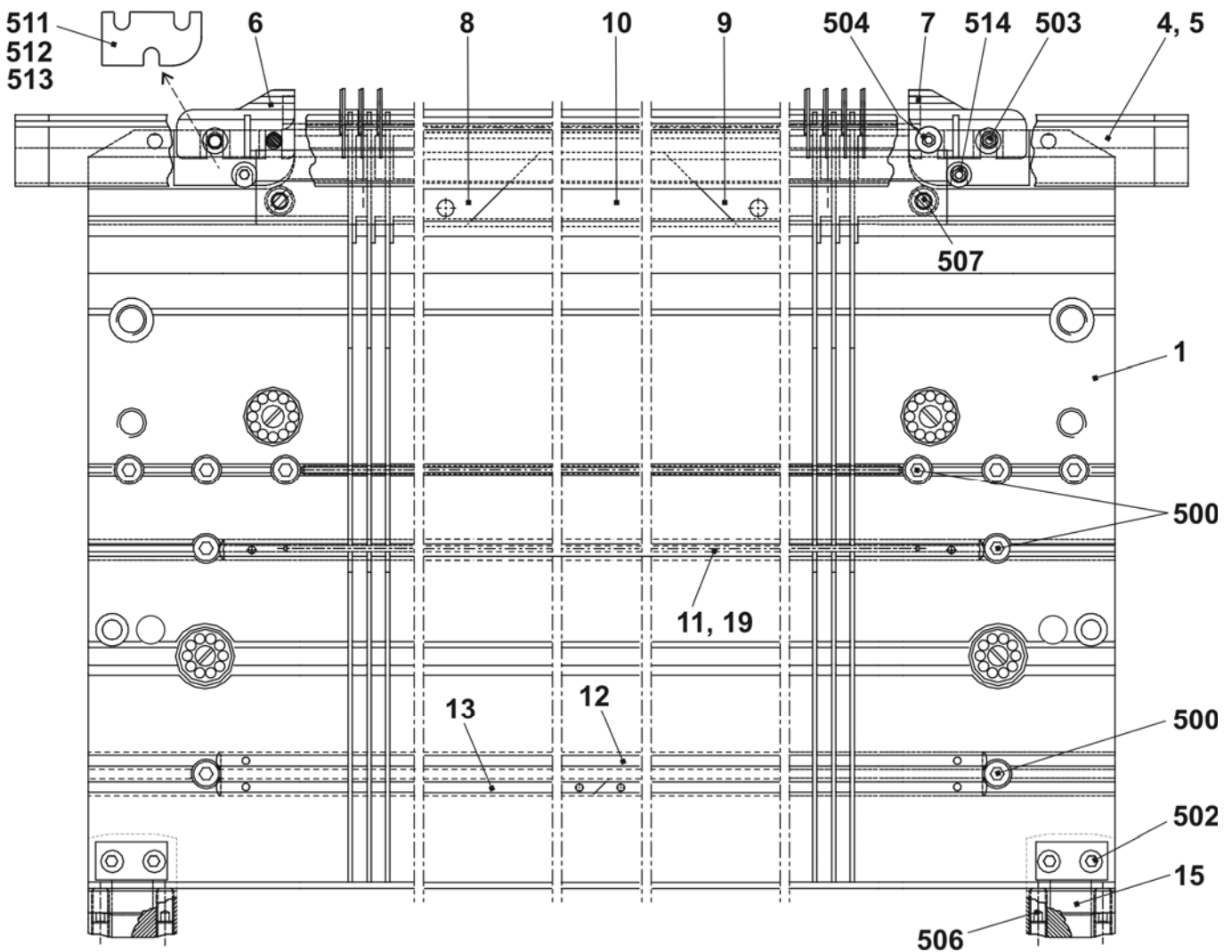
## Continuation needle bed E5

Pos	Designation	ID No.	Pos	Designation	ID No.
$\Sigma$	<b>Needle bed complete at the front and rear E5</b>	<b>210 427</b>	9	Holding-down jack E5	205 031
2	Spring steel wire $\varnothing 1.0$	210 971	14	Fixed wire $\varnothing 2.8$	210 974
3	Spring steel wire $\varnothing 2.0$	210 972	16	Spring steel wire $\varnothing 2.8$	212 173
A4	Needle E5-6 with round hook	205 396	30*	Adjusting piece	206 375
4b	Coupling part E4-8	200 682	31*	Set screw complete	207 712
6	Intermediate slider with brake E5-E8	237 323	40*	Disk brush	235 612
A7	Selection jack E4-8	200 687	42*	Disk brush	202 600
7b	Selector spring E4-8	200 690	520*	Cap screw M5x12	020 032
8	Knock-over bit E5	204 996	521*	Adjusting washer P6x12x03	023 540



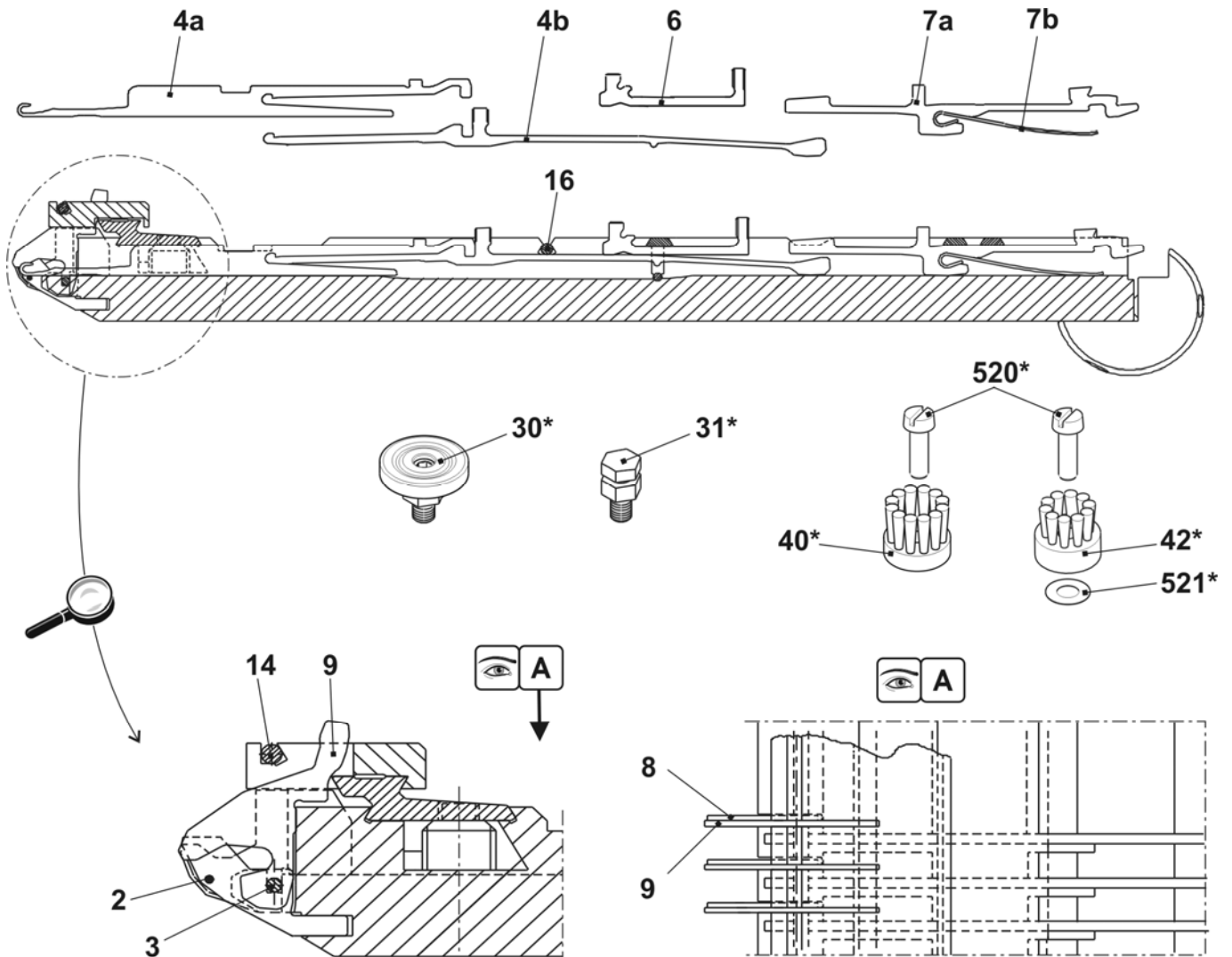
## Needle bed E7

Pos	Designation	ID No.	Pos	Designation	ID No.
<b>Σ</b>	<b>Needle bed complete at the front and rear E7</b>	<b>210 428</b>	15	Support	206 352
1	Needle bed at the front + rear E7	210 992	19	Cover rail at the rear	210 979
4	Holding-down jack bed at the front E7	211 039	500	Cap screw M5x10	022 918
5	Holding-down jack bed at the rear E7	211 046	502	Cap screw M6x25	020 137
6	Limiter on the left E4-E8	205 343	503	Cap screw M5x8-8.8	023 154
7	Limiter on the right E4-8	205 344	504	Cap screw M5x22	023 193
8	Coupling part	205 311	506	Set screw M6x12-45	022 400
9	Needle rail on the right	205 312	507	Sprung thrust piece B-M10	023 177
10	Coupling part	210 977	511	Shim 0.05x18.5x34	023 196
11	Cover rail at the front E7	210 983	512	Shim 0.1x18.5x34	023 197
12	Cover rail	210 978	513	Shim 0.2x18.5x34	023 253
13	Cover rail	210 980	514	Cap screw M5x8	023 379



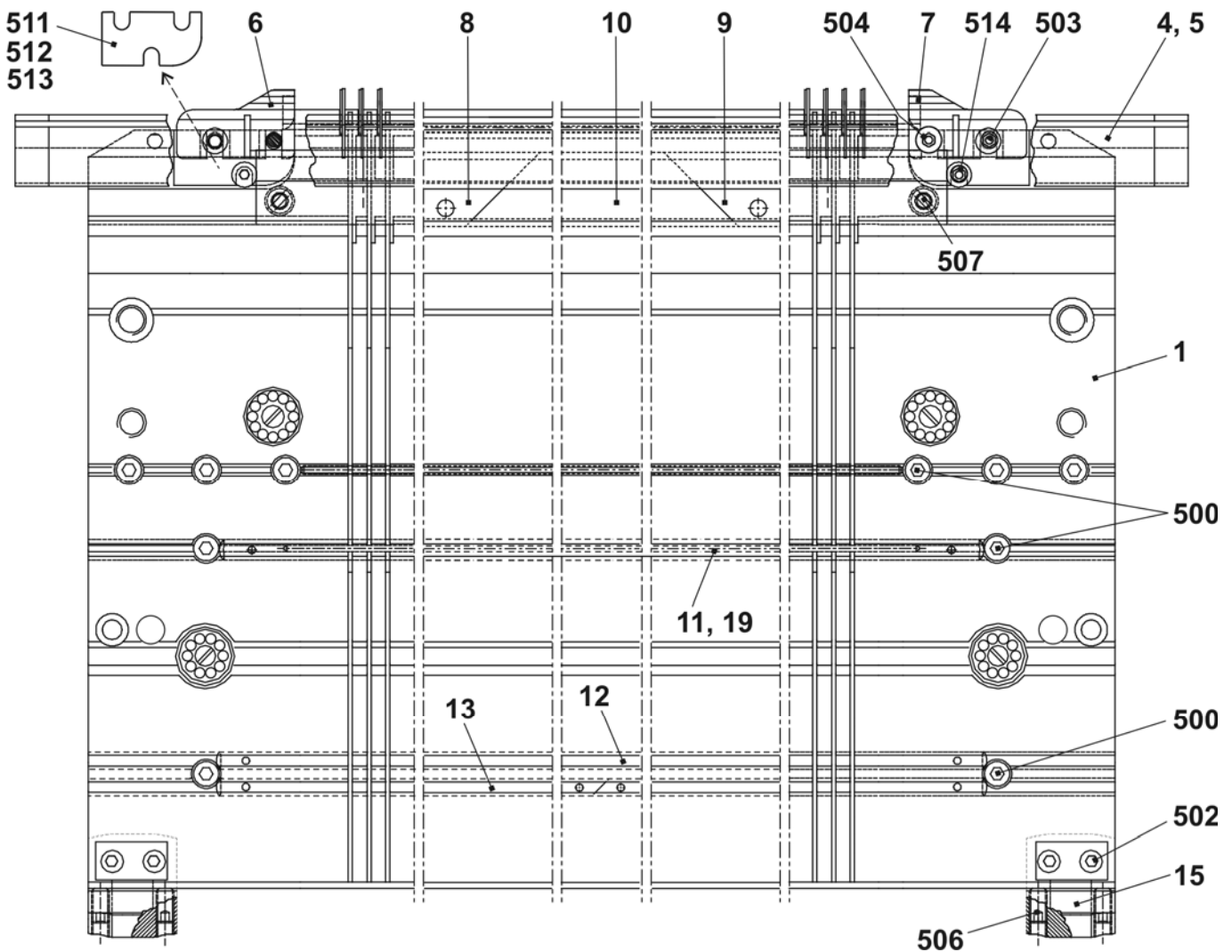
## Continuation needle bed E7

Pos	Designation	ID No.	Pos	Designation	ID No.
$\Sigma$	<b>Needle bed complete at the front and rear E7</b>	<b>210 428</b>	9	Holding-down jack E7	205 032
2	Spring steel wire $\varnothing 0.8$	210 970	14	Fixed wire $\varnothing 2.8$	210 974
3	Spring steel wire $\varnothing 2.0$	210 972	16	Spring steel wire $\varnothing 2.8$	212 173
A4	Needle E7 with round hook	205 397	30*	Adjusting piece	206 375
4b	Coupling part E4-8	200 682	31*	Set screw complete	207 712
6	Intermediate slider with brake E5-E8	237 323	40*	Disk brush	235 612
A7	Selection jack E4-8	200 687	42*	Disk brush	202 600
7b	Selector spring E4-8	200 690	520*	Cap screw M5x12	020 032
8	Knock-over bit E7	207 055	521*	Adjusting washer P6x12x03	023 540



## Needle bed E8

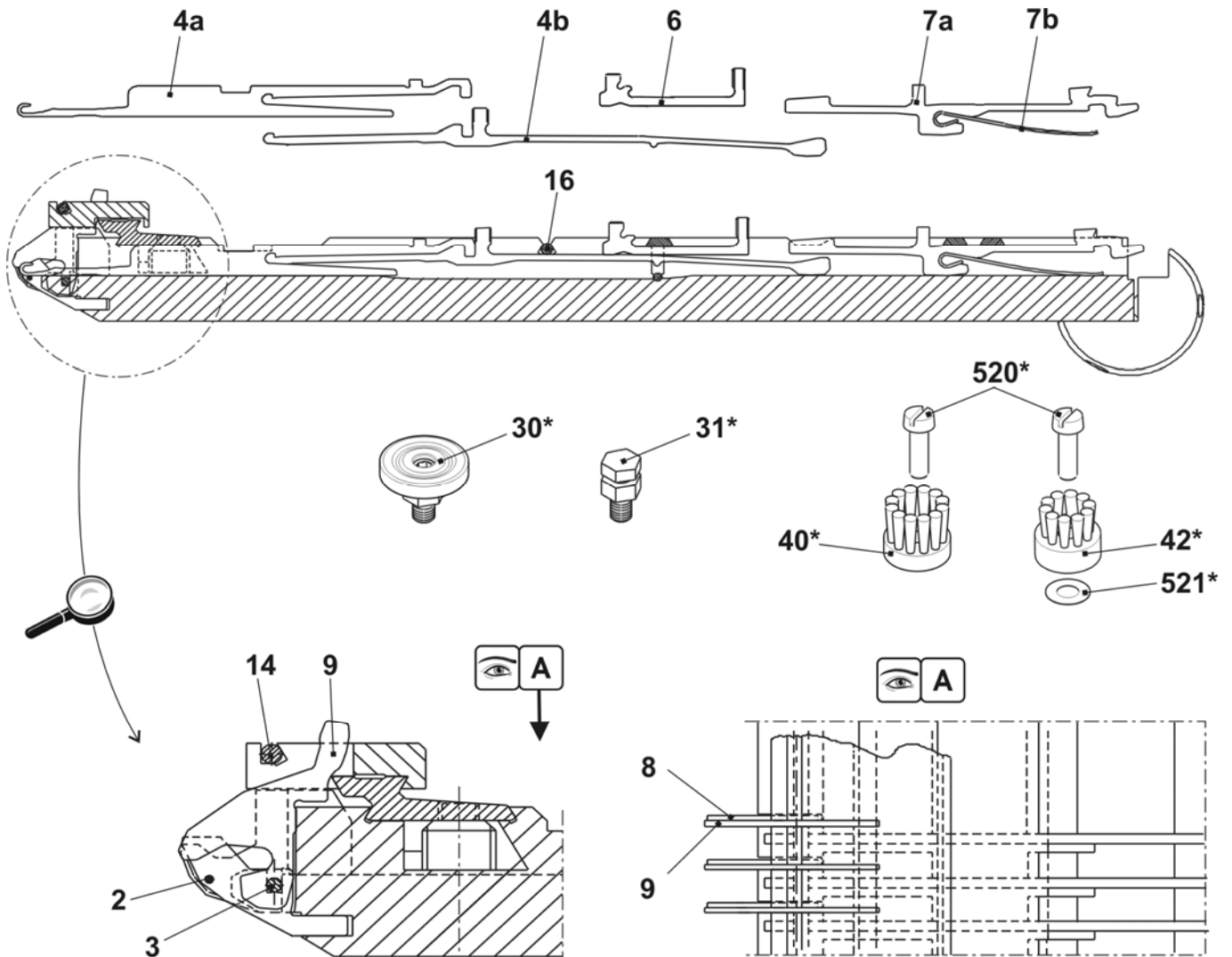
Pos	Designation	ID No.	Pos	Designation	ID No.
<b>Σ</b>	<b>Needle bed complete at the front and rear E8</b>	<b>210 429</b>	15	Support	206 352
1	Needle bed at the front + rear E8	210 993	19	Cover rail at the rear	210 979
4	Holding-down jack bed at the front E8	211 040	500	Cap screw M5x10	022 918
5	Holding-down jack bed at the rear E8	211 047	502	Cap screw M6x25	020 137
6	Limiter on the left E4-E8	205 343	503	Cap screw M5x8-8.8	023 154
7	Limiter on the right E4-8	205 344	504	Cap screw M5x22	023 193
8	Coupling part	205 311	506	Set screw M6x12-45	022 400
9	Needle rail on the right	205 312	507	Sprung thrust piece B-M10	023 177
10	Coupling part	210 977	511	Shim 0.05x18.5x34	023 196
11	Cover rail at the front E8	210 984	512	Shim 0.1x18.5x34	023 197
12	Cover rail	210 978	513	Shim 0.2x18.5x34	023 253
13	Cover rail	210 980	514	Cap screw M5x8	023 379





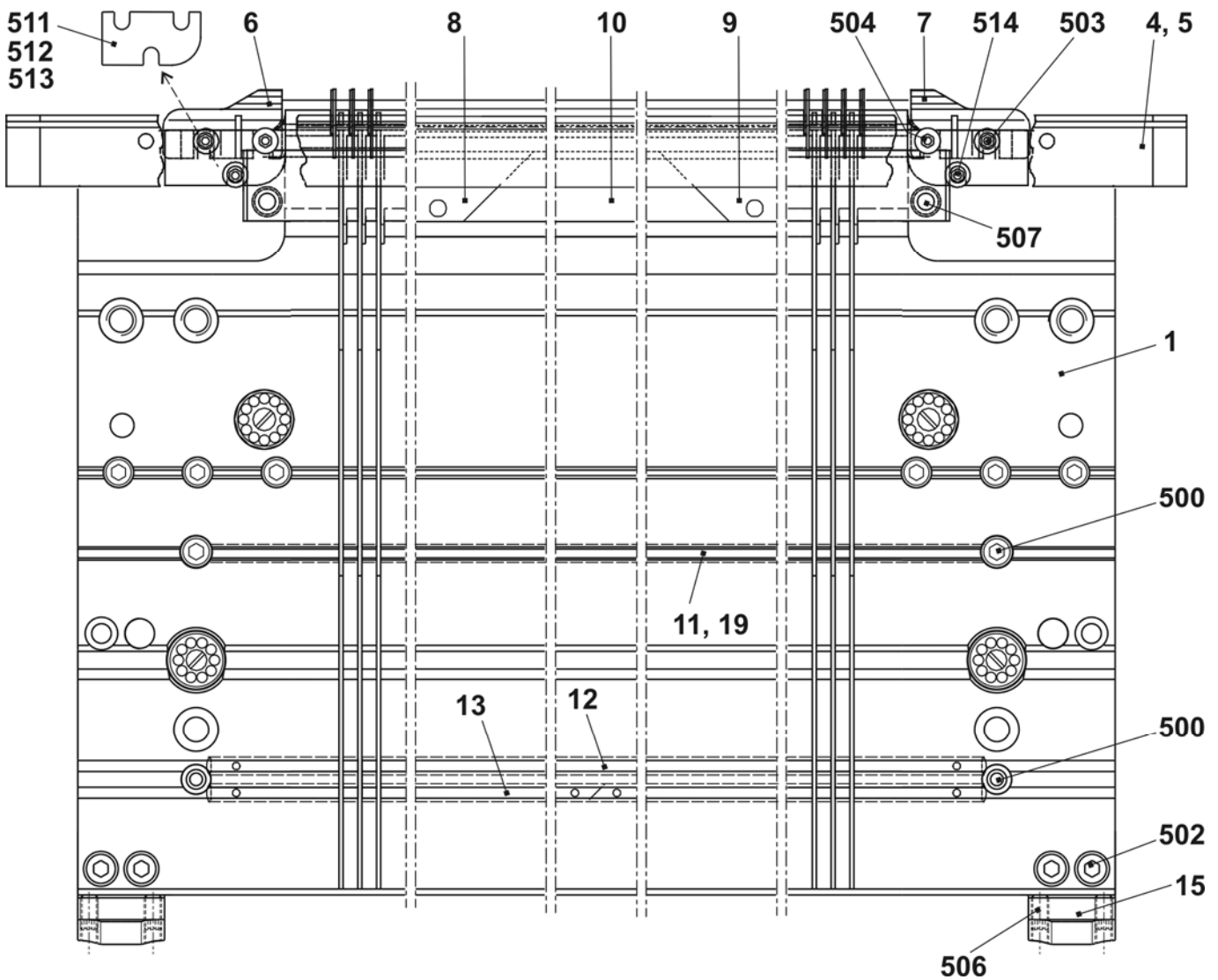
## Continuation needle bed E8

Pos	Designation	ID No.	Pos	Designation	ID No.
$\Sigma$	<b>Needle bed complete at the front and rear E8</b>	<b>210 429</b>	9	Holding-down jack E8	205 028
2	Spring steel wire $\varnothing 0.8$	210 970	14	Fixed wire $\varnothing 2.8$	210 974
3	Spring steel wire $\varnothing 2.0$	210 972	16	Spring steel wire $\varnothing 2.8$	212 173
A4	Needle E8 with round hook	208 745	30*	Adjusting piece	206 375
4b	Coupling part E4-8	200 682	31*	Set screw complete	207 712
6	Intermediate slider with brake E5-E8	237 323	40*	Disk brush	235 612
A7	Selection jack E4-8	200 687	42*	Disk brush	202 600
7b	Selector spring E4-8	200 690	520*	Cap screw M5x12	020 032
8	Knock-over bit E8	207 054	521*	Adjusting washer P6x12x03	023 540



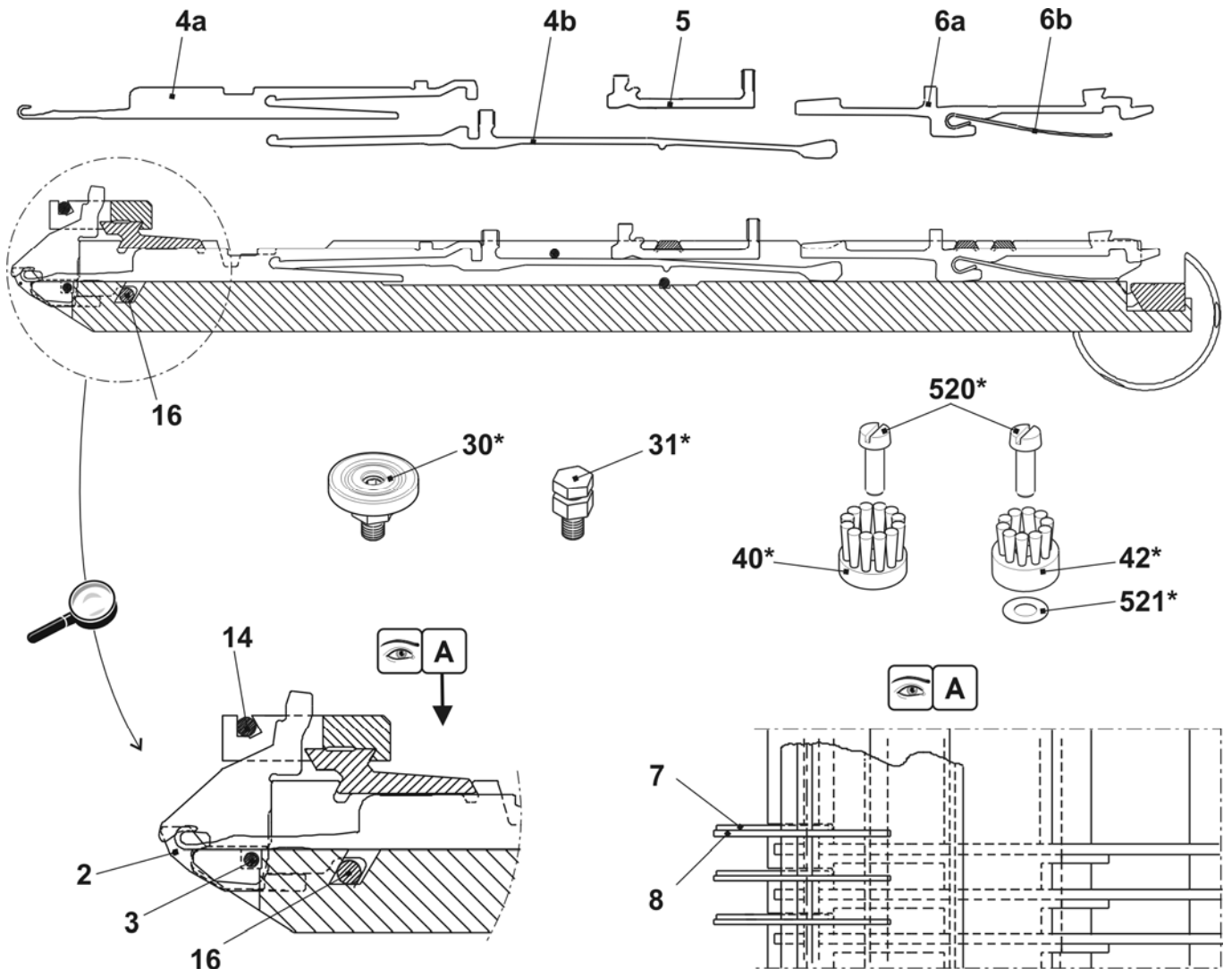
# Needle bed E10

Pos	Designation	ID No.	Pos	Designation	ID No.
<b>Σ</b>	<b>Needle bed complete at the front and rear E10</b>	<b>241 661</b>	15	Support	206 352
1	Needle bed at the front + rear E10	241 648	19	Cover rail at the rear	210 979
4	Holding-down jack bed at the front E10	211 041	500	Cap screw M5x10	022 918
5	Holding-down jack bed at the rear E10	211 048	502	Cap screw M6x25	020 137
6	Limiter on the left E10-14	205 764	503	Cap screw M5x8-8.8	023 154
7	Limiter on the right E10-14	205 765	504	Cap screw M5x22	023 193
8	Needle rail on the left	205 311	506	Set screw M6x12-45	022 400
9	Needle rail on the right	205 312	507	Sprung thrust piece B-M10	023 177
10	Coupling part	210 977	511	Shim 0.05x18.5x34	023 196
11	Cover rail at the front E10	210 985	512	Shim 0.1x18.5x34	023 197
12	Cover rail	210 978	513	Shim 0.2x18.5x34	023 253
13	Cover rail	210 980	514	Cap screw M5x8	023 379



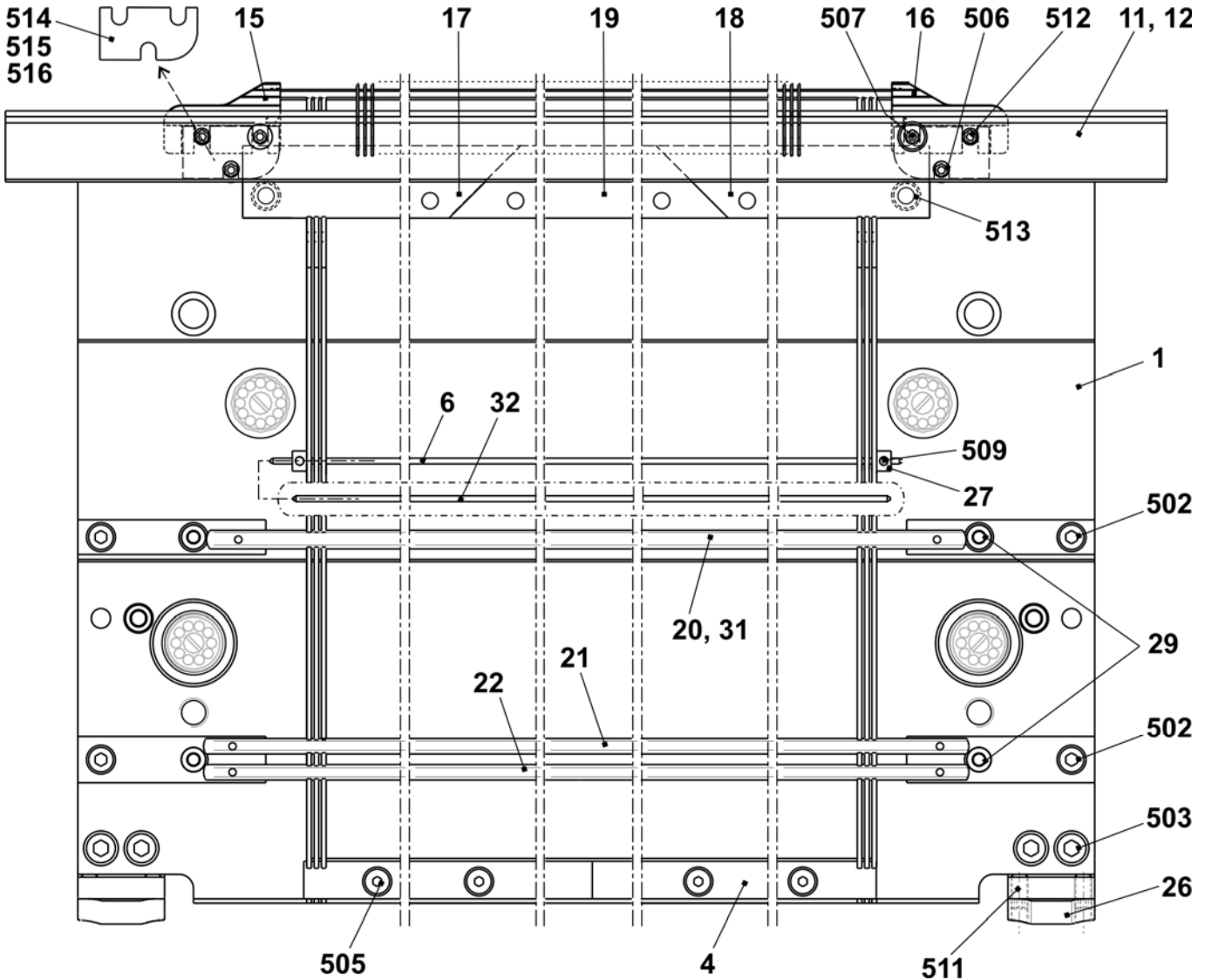
## Continuation needle bed E10

Pos	Designation	ID No.	Pos	Designation	ID No.
$\Sigma$	<b>Needle bed complete at the front and rear E10</b>	<b>241 661</b>	8	Holding-down jack trick wall E10	239 815
2	Spring steel wire $\varnothing 0.6$	210 969	14	Fixed wire $\varnothing 2.8$	210 974
3	Spring steel wire $\varnothing 2.0$	210 972	16	Spring steel wire $\varnothing 2.8$	212 173
A4	Needle E10 with round hook	205 398	30*	Adjusting piece	206 375
4b	Coupling part E10-12	200 683	31*	Set screw complete	207 712
5	Intermediate slider with brake E10	237 324	40*	Disk brush	235 612
A6	Selection jack E10-12	200 688	42*	Disk brush	202 600
6b	Selector spring E10-12	200 691	520*	Cap screw M5x12	020 032
7	Knock-over bit E10	239 756	521*	Adjusting washer P6x12x03	023 540



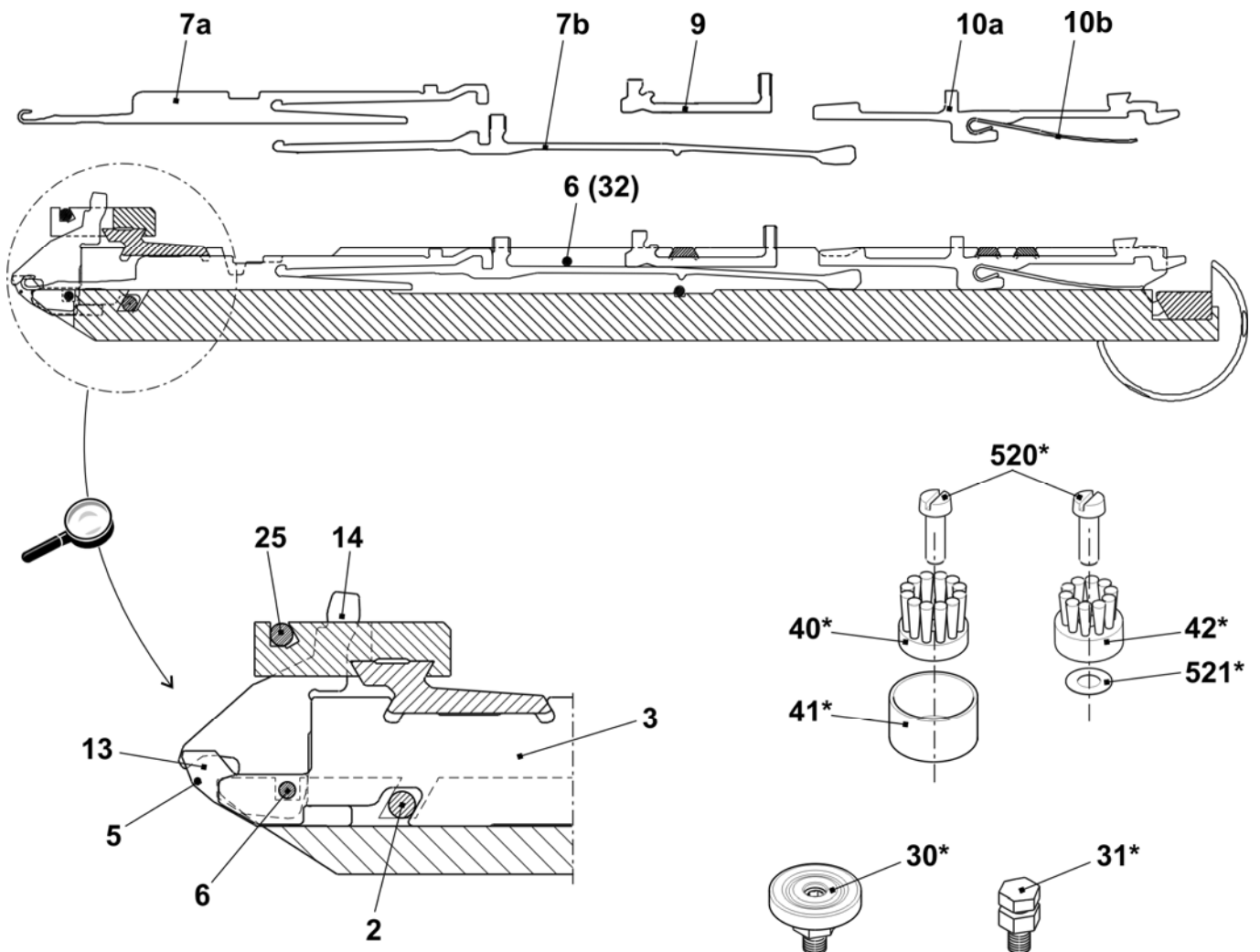
# Needle bed E12

Pos	Designation	ID No.	Pos	Designation	ID No.
<b>Σ</b>	<b>Needle bed complete at the front and rear E12</b>	<b>253 743</b>			
1	Needle bed at the front + rear E12	253 741	29	Cap screw 5x12	209 484
4	Pressure bar	211 009	31	Cover rail at the rear	210 979
6	Spring steel wire Ø2.0	251 095	32	Spring steel wire Ø2.0	210 973
11	Holding-down jack bed at the front E12	211 042	502	Cap screw M5x12	020 132
12	Holding-down jack bed at the rear E12	211 049	503	Cap screw M6X14	022 658
15	Limiters on the left E10-14	205 764	505	Cap screw M5x8	023 379
16	Limiters on the right E10-14	205 765	506	Cap screw M5x12-8.8	022 943
17	Needle rail on the left	205 311	507	Cap screw M5x22	023 193
18	Needle rail on the right	205 312	509	Set screw ISO 4766-M3.5x3-1	020 512
19	Coupling part	210 977	511	Set screw ISO 4026-M6x12-45	022 400
20	Cover rail at the front E12	210 986	512	Cap screw M5x8-8.8 M	023 154
21	Cover rail	210 978	513	Sprung thrust piece B-M10	023 177
22	Cover rail	210 980	514	Shim 0.05x18.5x34	023 196
26	Support	206 352	515	Shim 0.1x18.5x34	023 197
27	Bush	206 090	516	Shim 0.2x18.5x34	023 253



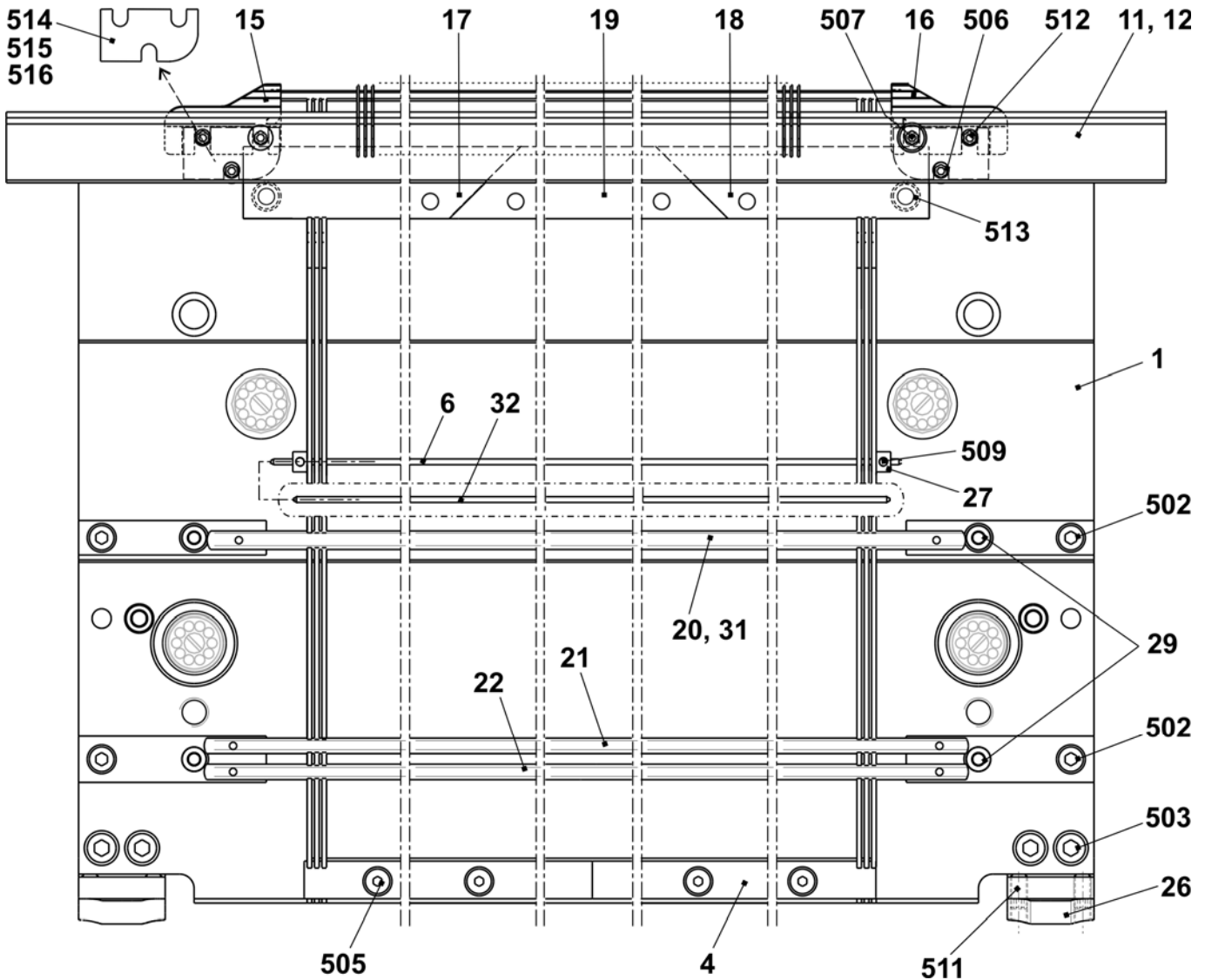
## Continuation needle bed E12

Pos	Designation	ID No.	Pos	Designation	ID No.
<b>Σ</b>	<b>Needle bed complete at the front and rear E12</b>	<b>253 743</b>			
2	Fixed wire ø3.4	210 975	14	Holding-down jack trick wall E12	227 821
3	Main trick wall E12	252 628	25	Fixed wire Ø2.8	210 974
5	Spring steel wire Ø0.6	210 969	32	Spring steel wire Ø2.0	210 973
6	Spring steel wire Ø2.0	251 095	30*	Adjusting piece	206 375
A7	Needle E12	204 009	31*	Set screw complete	207 712
7b	Coupling part E10-12	200 683	40*	Disk brush	235 612
9	Intermediate slider with brake E10-12	237 324	41*	Container disk brush	233 012
10a	Selection jack E10-12	200 688	42*	Disk brush	202 600
10b	Selector spring E10-12	200 691	520*	Cap screw M5x12	020 032
13	Knock-over bit E12	205 013	521*	Adjusting washer P6x12x03	023 540



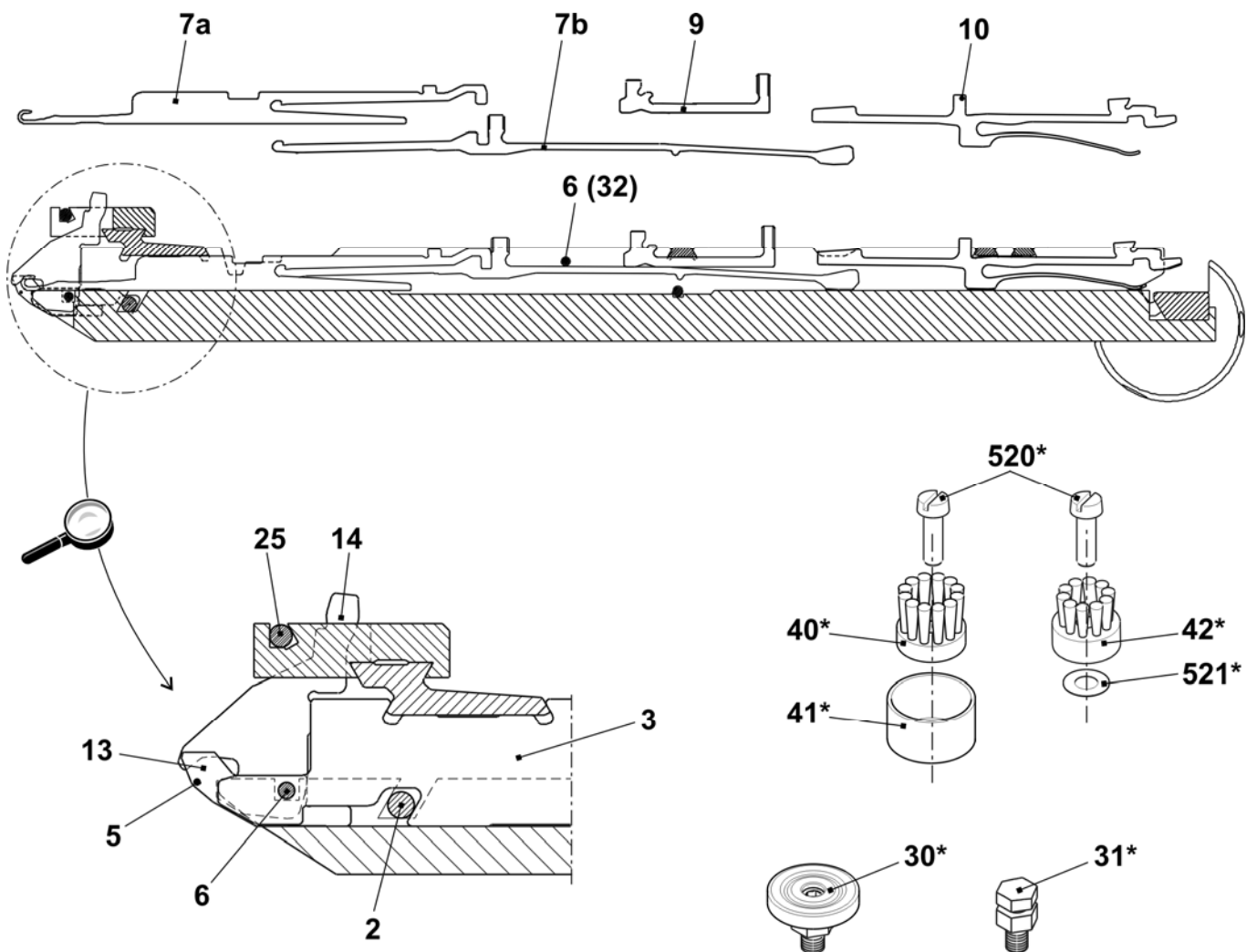
# Needle bed E14

Pos	Designation	ID No.	Pos	Designation	ID No.
<b>Σ</b>	<b>Needle bed complete at the front and rear E14</b>	<b>253 744</b>			
1	Needle bed at the front + rear E14	253 742	29	Cap screw 5x12	209 484
4	Pressure bar	211 009	31	Cover rail at the rear	210 979
6	Spring steel wire Ø2.0	251 095	32	Spring steel wire Ø2.0	210 973
11	Holding-down jack bed at the front E14	211 043	502	Cap screw M5x12	020 132
12	Holding-down jack bed at the rear E14	211 050	503	Cap screw M6X14	022 658
15	Limiter on the left E10-14	205 764	505	Cap screw M5x8	023 379
16	Limiter on the right E10-14	205 765	506	Cap screw M5x12-8.8	022 943
17	Needle rail on the left	205 311	507	Cap screw M5x22	023 193
18	Needle rail on the right	205 312	509	Setscrew M3.5x3-1	020 512
19	Coupling part	210 977	511	Set screw I6x12-45	022 400
20	Cover rail at the front E14	210 987	512	Cap screw M5x8-8.8 M	023 154
21	Cover rail	210 978	513	Sprung thrust piece B-M10	023 177
22	Cover rail	210 980	514	Shim 0.05x18.5x34	023 196
26	Support	206 352	515	Shim 0.1x18.5x34	023 197
27	Bush	206 090	516	Shim 0.2x18.5x34	023 253



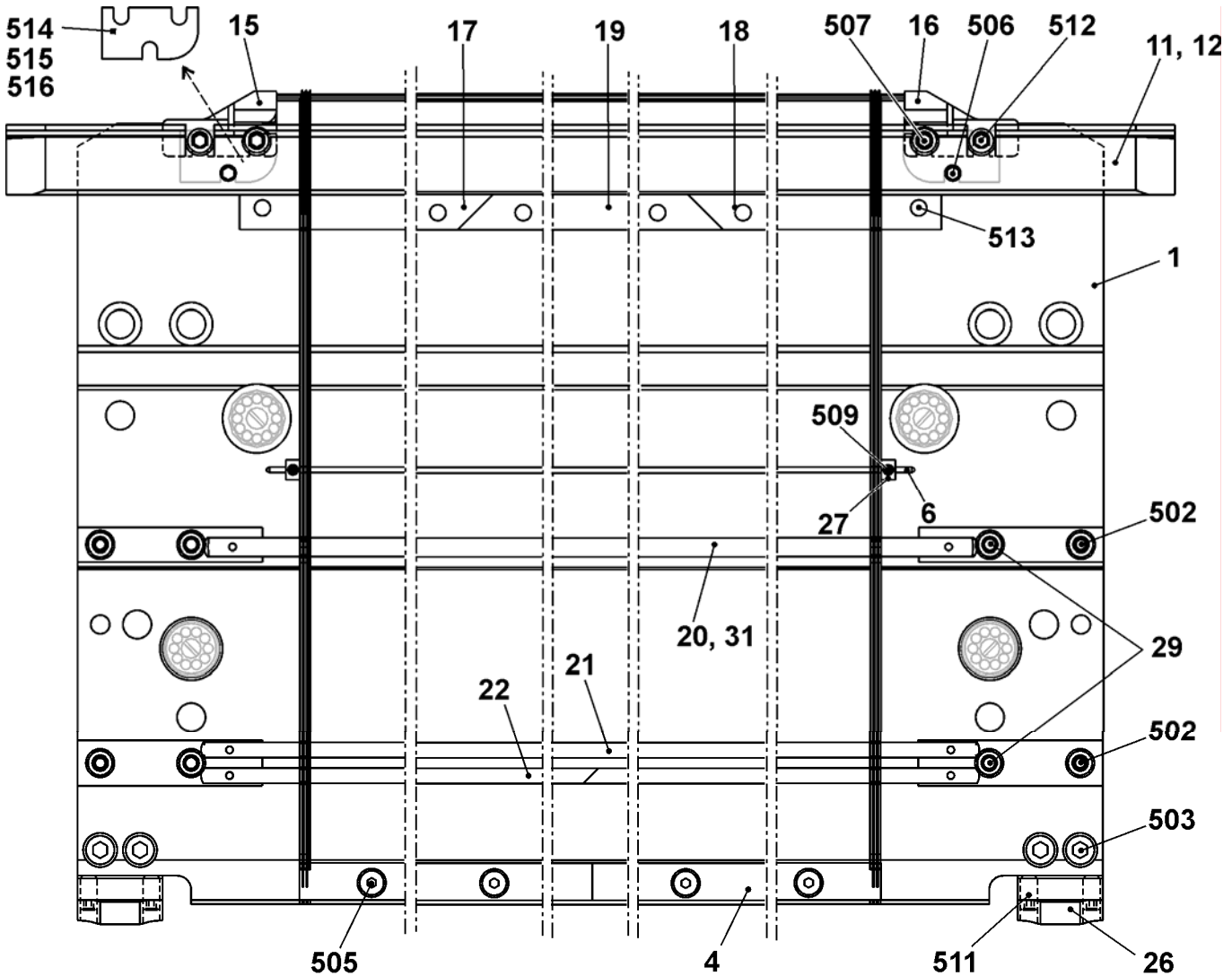
## Continuation needle bed E14

Pos	Designation	ID No.	Pos	Designation	ID No.
<b>Σ</b>	<b>Needle bed complete at the front and rear</b>	<b>253 744</b>			
2	Fixed wire ø3.4	210 975	25	Fixed wire Ø2.8	210 974
3	Main trick wall E14	252 629	32	Spring steel wire Ø2.0	210 973
5	Spring steel wire Ø0.6	210 969	30*	Adjusting piece	206 375
A7	Needle E12	209 614	31*	Set screw complete	207 712
7b	Coupling part E14	209 633	40*	Disk brush	235 612
9	Intermediate slider with brake E14	237 373	41*	Container disk brush	233 012
10	Selection jack with spring E14	224 725	42*	Disk brush	202 600
13	Knock-over bit E12	209 649	520*	Cap screw M5x12	020 032
14	Holding-down jack trick wall E14	235 262	521*	Adjusting washer P6x12x03	023 540



## Needle bed E16

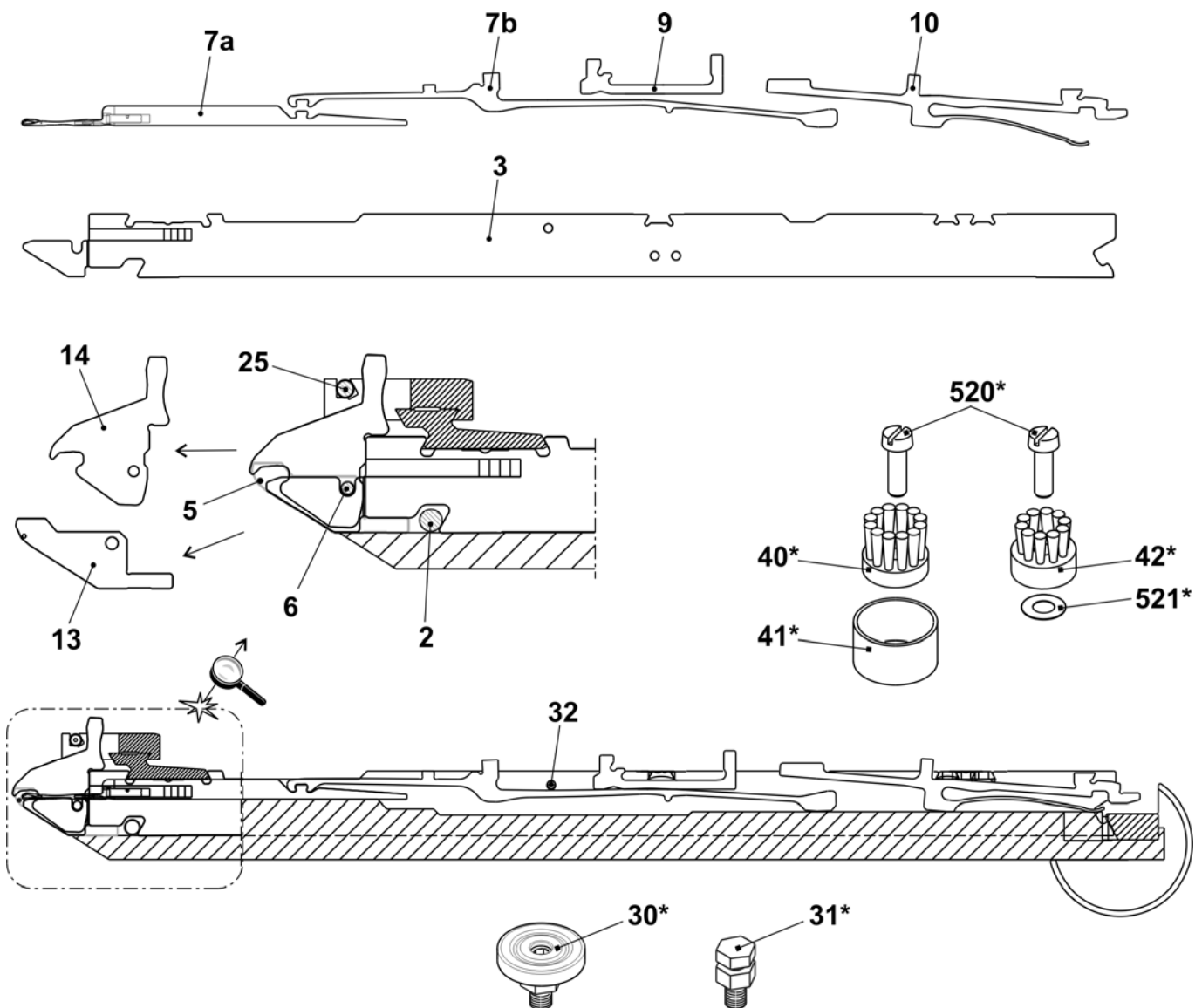
Pos	Designation	ID No.	Pos	Designation	ID No.
$\Sigma$	<b>Needle bed complete at the front and rear E16</b>	<b>251 123</b>			
1	Needle bed at the front rear E16	251 087	27	Bush	206 090
4	Pressure bar	211 009	29	Cap screw 5x12	209 484
6	Spring steel wire $\varnothing 2.0$	251 095	31	Cover rail at the rear	210 979
11	Holding-down jack bed at the front E16	244 566	502	Cap screw M5x12	020 132
12	Holding-down jack bed at the rear E16	244 568	503	Cap screw M6X14	022 658
15	Limiters on the left E16-E20	220 821	505	Cap screw M5x8	023 379
16	Limiters on the right E16-E20	220 822	506	Cap screw M5x12	022 943
17	Needle rail on the left	205 311	507	Cap screw M5x22	023 193
18	Needle rail on the right	205 312	509	Setscrew M3.5x3	020 512
19	Coupling part	210 977	511	Set screw M6x12	022 400
20	Cover rail at the front E16	244 597	513	Sprung thrust piece B-M10	023 177
21	Cover rail	210 978	514	Shim 0.05x18.5x34	023 196
22	Cover rail	210 980	515	Shim 0.1x18.5x34	023 197
26	Support	206 352	516	Shim 0.2x18.5x34	023 253





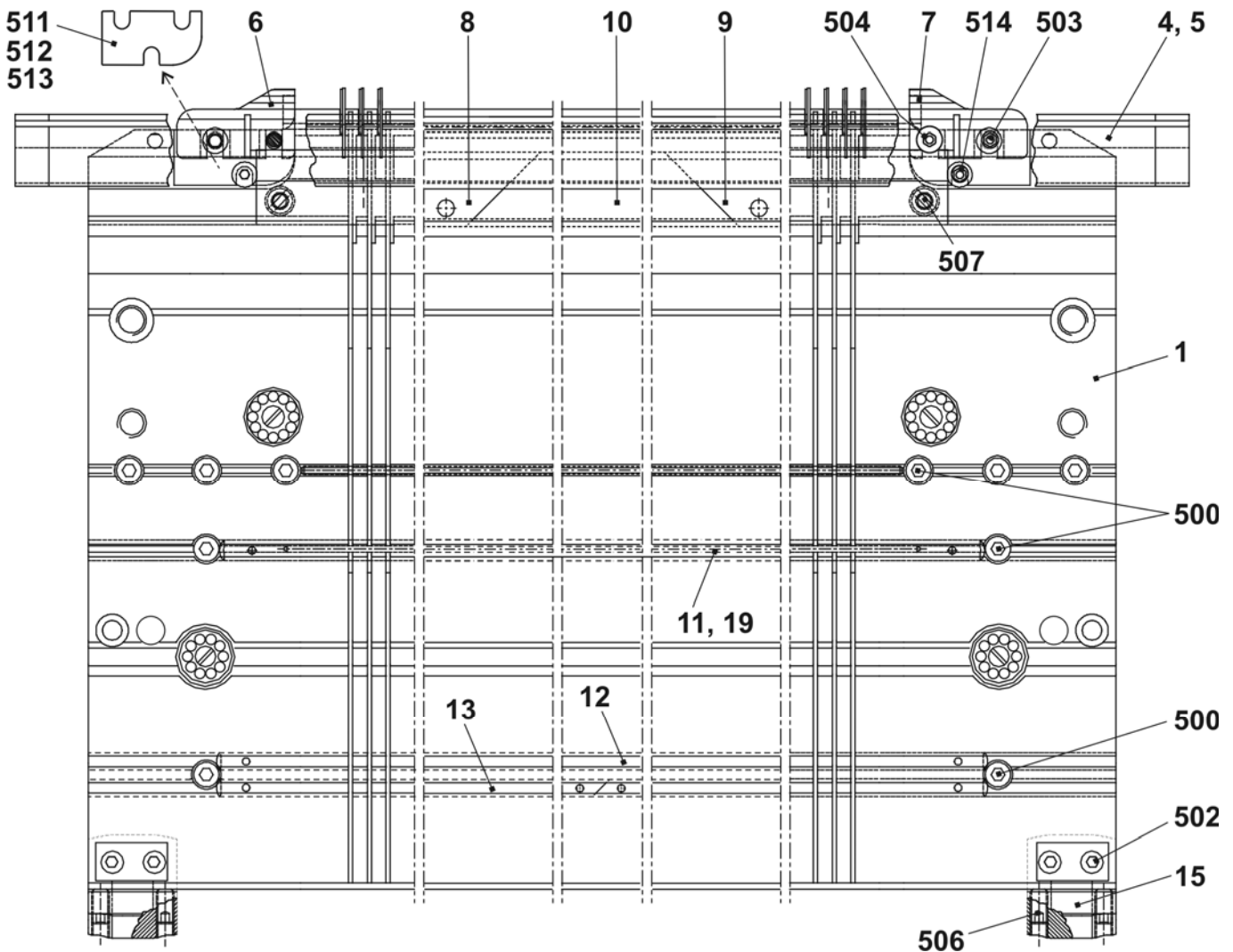
## Continuation needle bed E16

Pos	Designation	ID No.	Pos	Designation	ID No.
<b>Σ</b>	<b>Needle bed complete at the front and rear E16</b>	<b>251 123</b>			
2	Fixed wire ø3.4	210 975	25	Fixed wire Ø2.8 E16-18	244 587
3	Main trick wall E16	245 319	32	Spring steel wire Ø2.0	210 973
5	Spring steel wire Ø0.5	244 585	30*	Adjusting piece	206 375
A7	Needle E16	232 243	31*	Set screw complete	207 712
7b	Coupling part E16-20	220 382	40*	Disk brush	235 612
9	Intermediate slider complete E16	239 271	41*	Container disk brush	233 012
10	Selection jack with spring E16	224 326	42*	Plate brush ø12	202 600
13	Knock-over bit E16	222 503	520*	Cap screw M5x12	020 032
14	Holding-down jack E16	222 504	521*	Adjusting washer P6x12x0.3	023 540



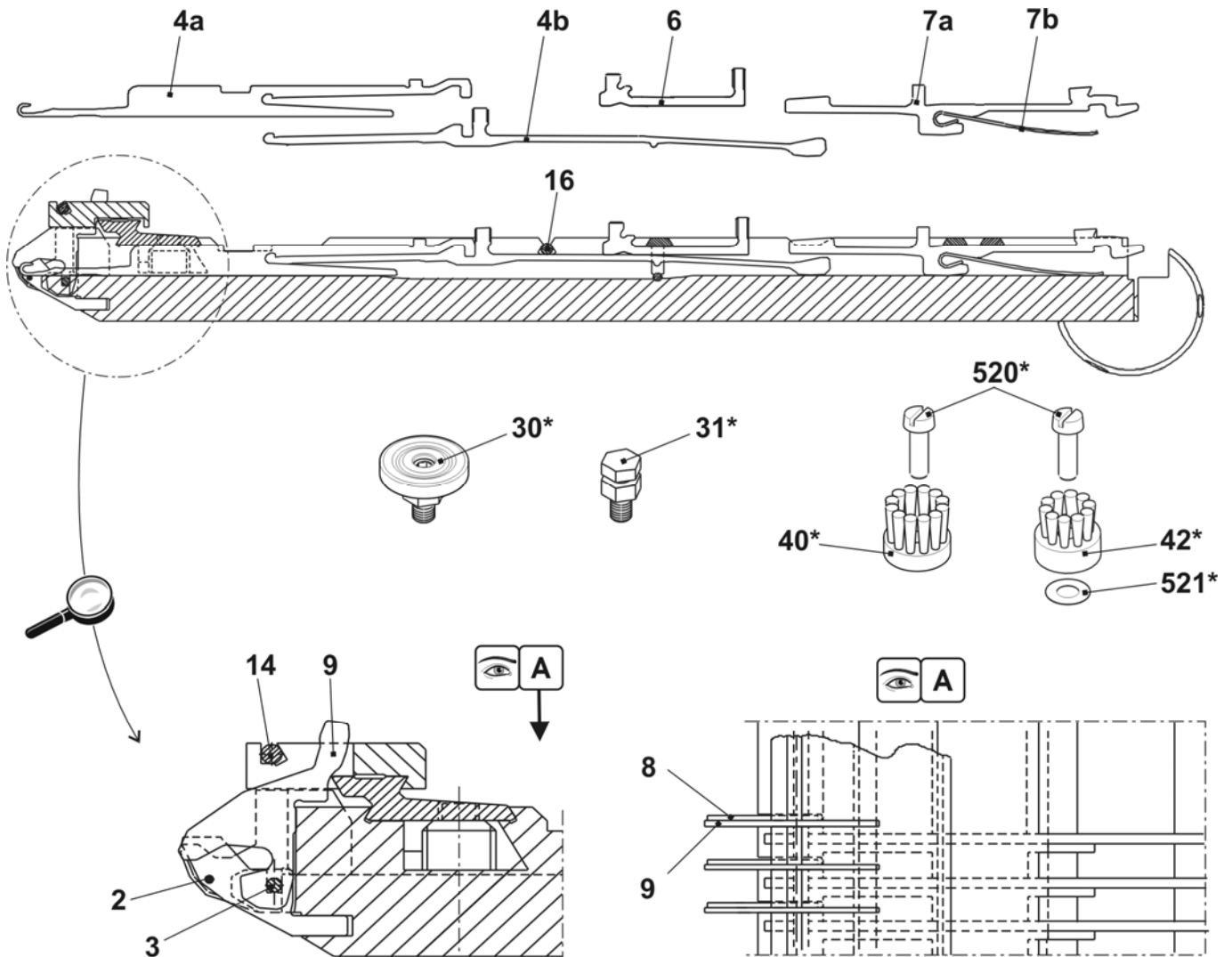
## Needle bed E5m.4

Pos	Designation	ID No.	Pos	Designation	ID No.
$\Sigma$	<b>Needle bed complete at the front and rear E5m.4</b>	<b>211 968</b>	15	Support	206 352
1	Needle bed at the front + rear E5	210 991	19	Cover rail at the rear	210 979
4	Holding-down jack bed at the front E5	211 038	500	Cap screw M5x10	022 918
5	Holding-down jack bed at the rear E5	211 045	502	Cap screw M6x25	020 137
6	Limiters on the left E4-E8	205 343	503	Cap screw M5x8-8.8	023 154
7	Limiters on the right E4-8	205 344	504	Cap screw M5x22	023 193
8	Coupling part	205 311	506	Set screw M6x12-45	022 400
9	Needle rail on the right	205 312	507	Sprung thrust piece B-M10	023 177
10	Coupling part	210 977	511	Shim 0.05x18.5x34	023 196
11	Cover rail at the front E5	210 982	512	Shim 0.1x18.5x34	023 197
12	Cover rail	210 978	513	Shim 0.2x18.5x34	023 253
13	Cover rail	210 980	514	Cap screw M5x8	023 379



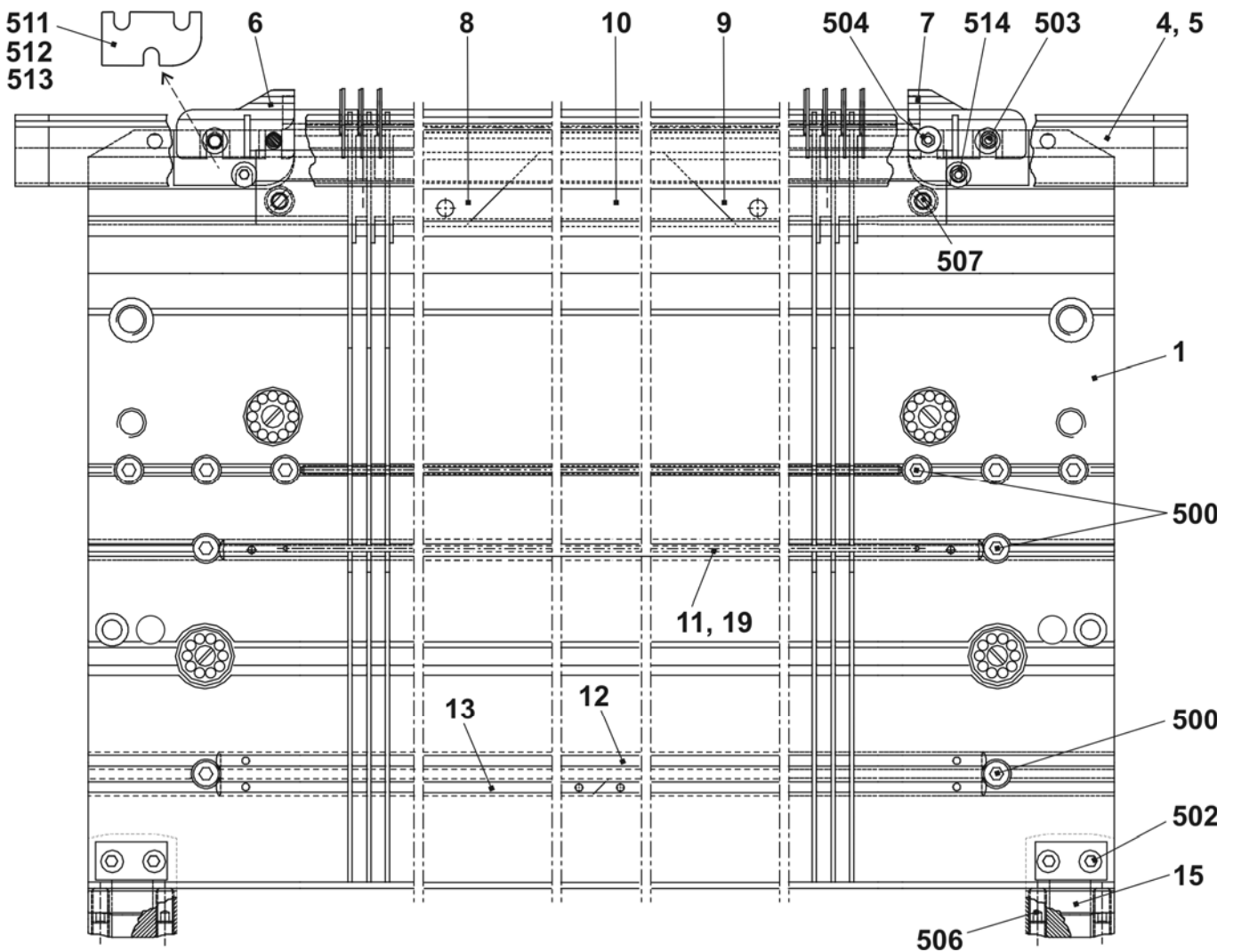
## Continuation needle bed E5m.4

Pos	Designation	ID No.	Pos	Designation	ID No.
$\Sigma$	<b>Needle bed complete at the front and rear E5m.4</b>	<b>211 968</b>	9	Holding-down jack E5	205 031
2	Spring steel wire $\varnothing 1.0$	210 971	14	Fixed wire $\varnothing 2.8$	210 974
3	Spring steel wire $\varnothing 2.0$	210 972	16	Spring steel wire $\varnothing 2.8$	212 173
A4	Needle E2,5.2 + E3,5.2	232 581	30*	Adjusting piece	206 375
4b	Coupling part E4-8	200 682	31*	Set screw complete	207 712
6	Intermediate slider with brake E5-E8	237 323	40*	Disk brush	235 612
A7	Selection jack E4-8	200 687	42*	Disk brush	202 600
7b	Selector spring E4-8	200 690	520*	Cap screw M5x12	020 032
8	Knock-over bit E5	204 996	521*	Adjusting washer P6x12x03	023 540



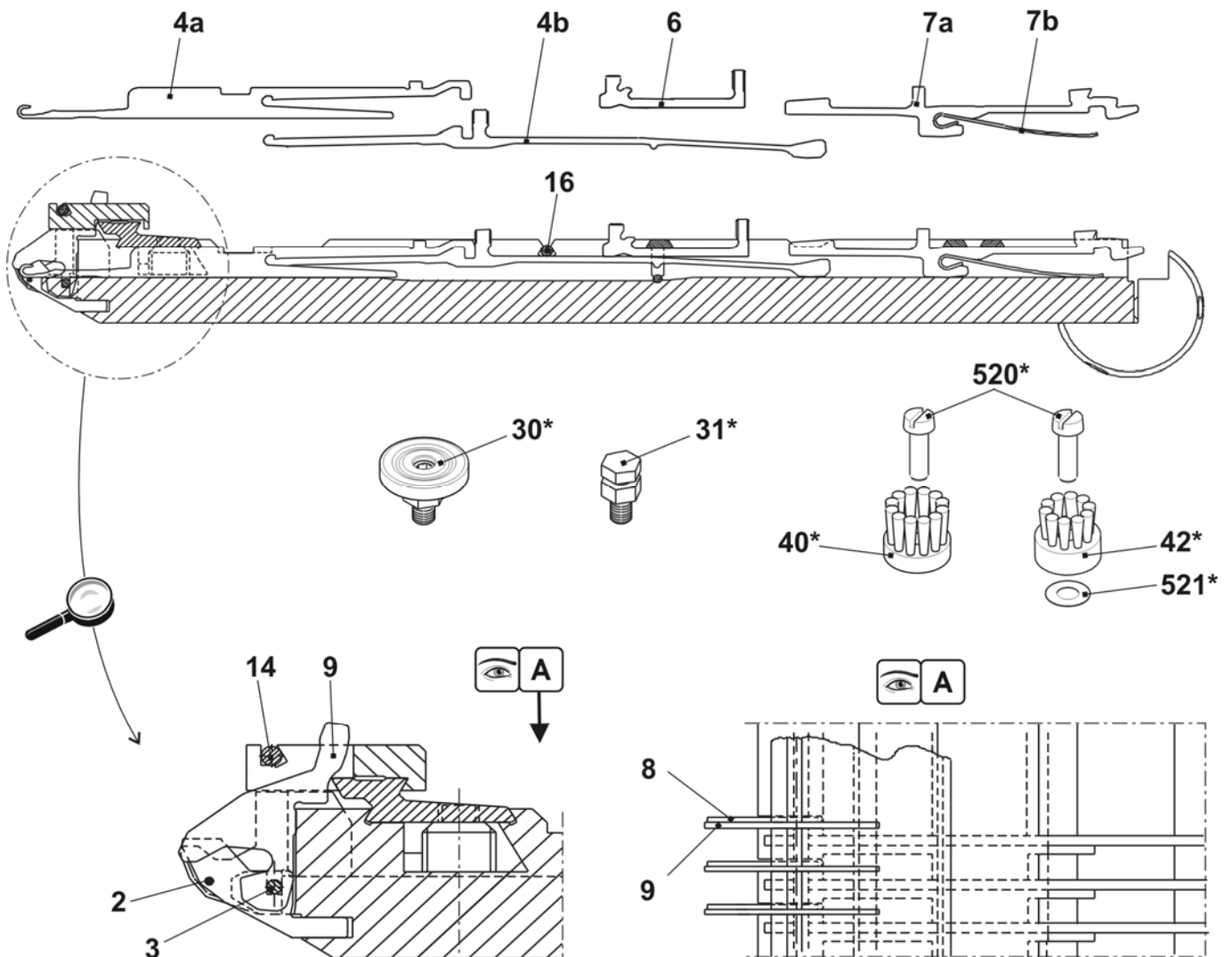
# Needle bed E7m.5

Pos	Designation	ID No.	Pos	Designation	ID No.
<b>Σ</b>	<b>Needle bed complete at the front + rear E7m.5</b>	<b>210 433</b>	15	Support	206 352
1	Needle bed at the front + rear E7	210 992	19	Cover rail at the rear	210 979
4	Holding-down jack bed at the front E7	211 039	500	Cap screw M5x10	022 918
5	Holding-down jack bed at the rear E7	211 046	502	Cap screw M6x25	020 137
6	Limiter on the left E4-E8	205 343	503	Cap screw M5x8-8.8	023 154
7	Limiter on the right E4-8	205 344	504	Cap screw M5x22	023 193
8	Coupling part	205 311	506	Set screw M6x12-45	022 400
9	Needle rail on the right	205 312	507	Sprung thrust piece B-M10	023 177
10	Coupling part	210 977	511	Shim 0.05x18.5x34	023 196
11	Cover rail at the front E7	210 983	512	Shim 0.1x18.5x34	023 197
12	Cover rail	210 978	513	Shim 0.2x18.5x34	023 253
13	Cover rail	210 980	514	Cap screw M5x8	023 379



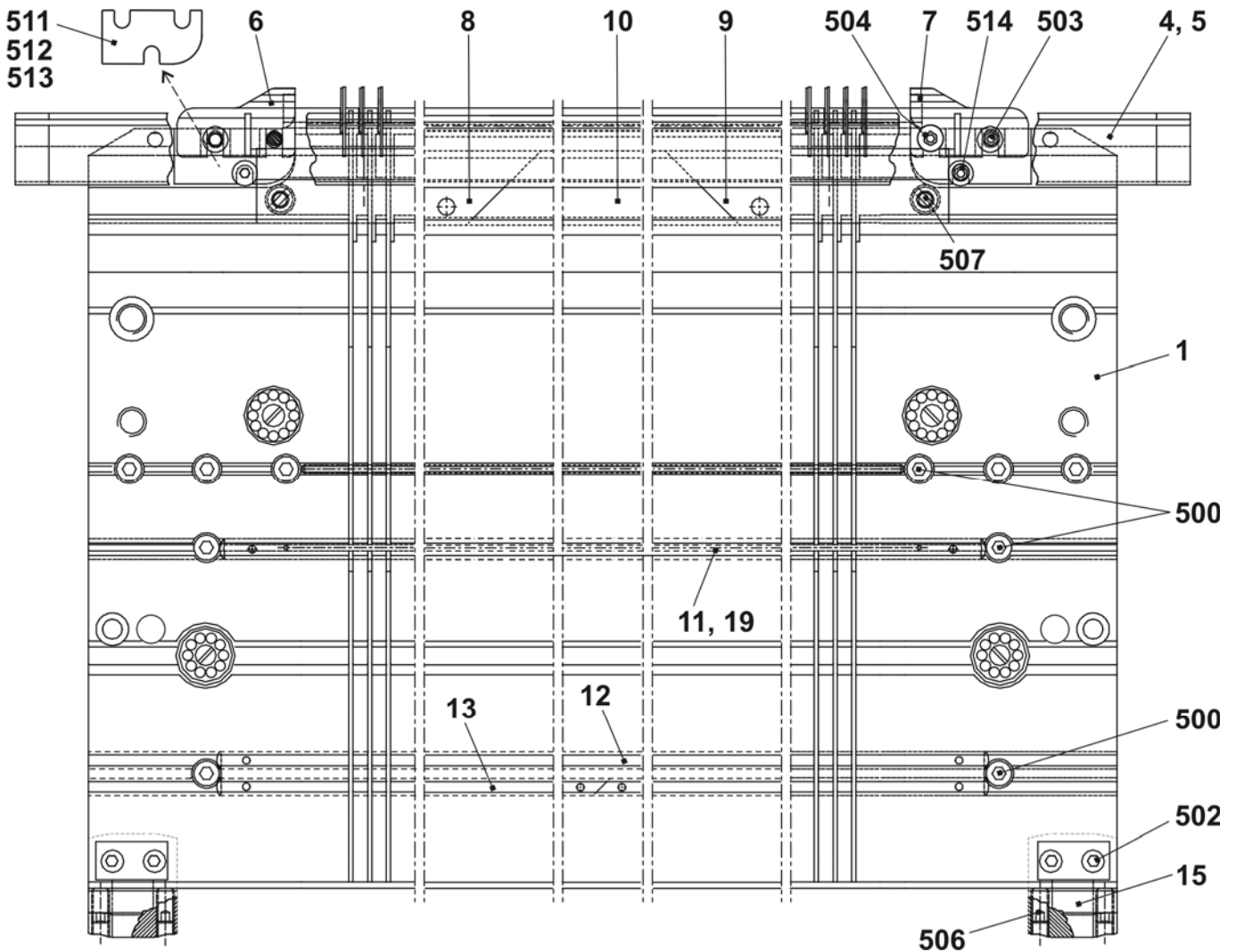
## Continuation needle bed E7m.5

Pos	Designation	ID No.	Pos	Designation	ID No.
$\Sigma$	<b>Needle bed complete at the front + rear E7m.5</b>	<b>210 433</b>	9	Holding-down jack E7	205 032
2	Spring steel wire $\varnothing 0.8$	210 970	14	Fixed wire $\varnothing 2.8$	210 974
3	Spring steel wire $\varnothing 2.0$	210 972	16	Spring steel wire $\varnothing 2.8$	212 173
A4	Needle E5-6 with round hook	205 396	30*	Adjusting piece	206 375
4b	Coupling part E4-8	200 682	31*	Set screw complete	207 712
6	Intermediate slider with brake E5-E8	237 323	40*	Disk brush	235 612
A7	Selection jack E4-8	200 687	42*	Disk brush	202 600
7b	Selector spring E4-8	200 690	520*	Cap screw M5x12	020 032
8	Knock-over bit E7	207 055	521*	Adjusting washer P6x12x03	023 540



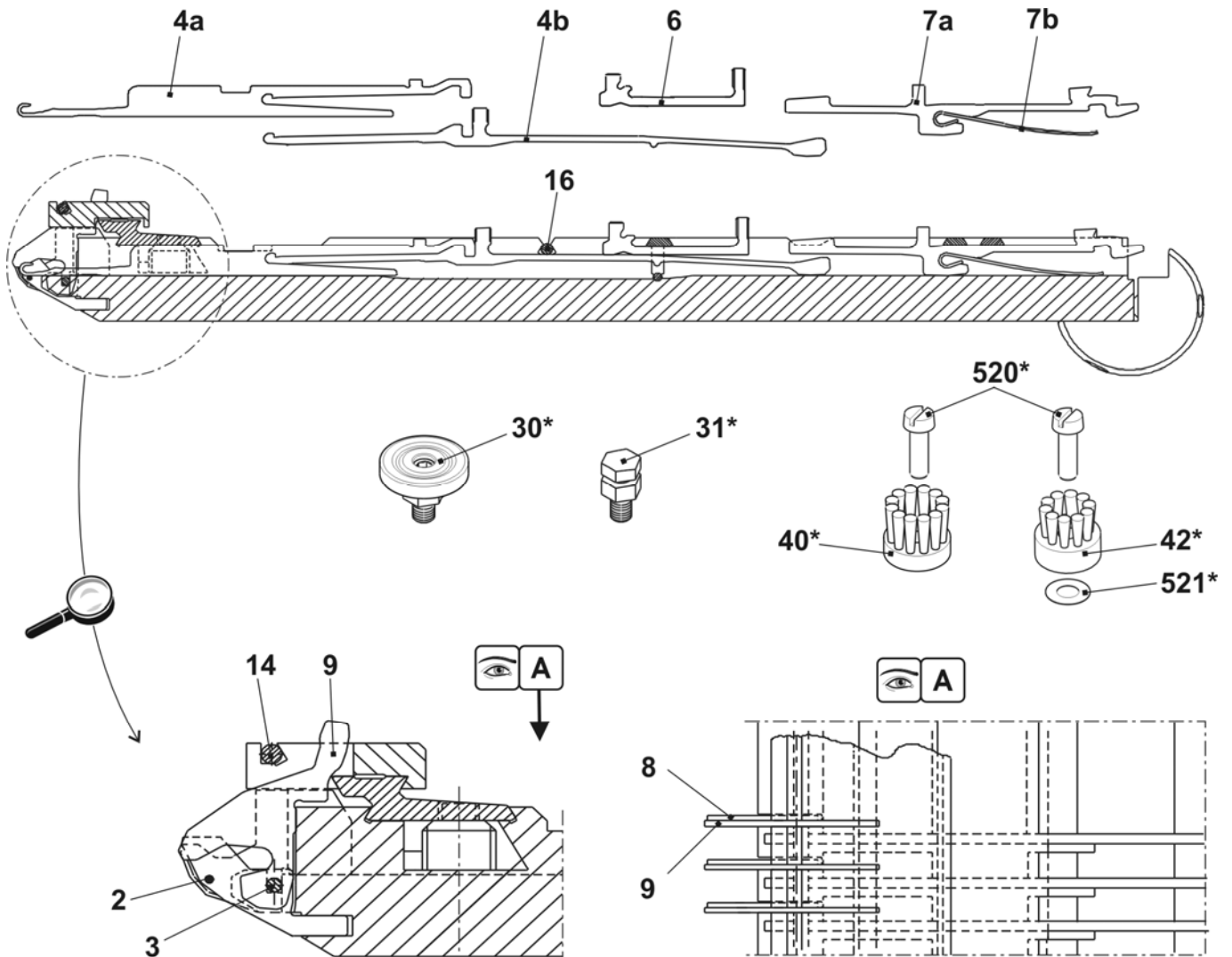
# Needle bed E7m.8

Pos	Designation	ID No.	Pos	Designation	ID No.
<b>Σ</b>	<b>Needle bed complete at the front + rear E7m.8</b>	<b>210 434</b>	15	Support	206 352
1	Needle bed at the front + rear E7	210 992	19	Cover rail at the rear	210 979
4	Holding-down jack bed at the front E7	211 039	500	Cap screw M5x10	022 918
5	Holding-down jack bed at the rear E7	211 046	502	Cap screw M6x25	020 137
6	Limiter on the left E4-E8	205 343	503	Cap screw M5x8-8.8	023 154
7	Limiter on the right E4-8	205 344	504	Cap screw M5x22	023 193
8	Coupling part	205 311	506	Set screw M6x12-45	022 400
9	Needle rail on the right	205 312	507	Sprung thrust piece B-M10	023 177
10	Coupling part	210 977	511	Shim 0.05x18.5x34	023 196
11	Cover rail at the front E7	210 983	512	Shim 0.1x18.5x34	023 197
12	Cover rail	210 978	513	Shim 0.2x18.5x34	023 253
13	Cover rail	210 980	514	Cap screw M5x8	023 379



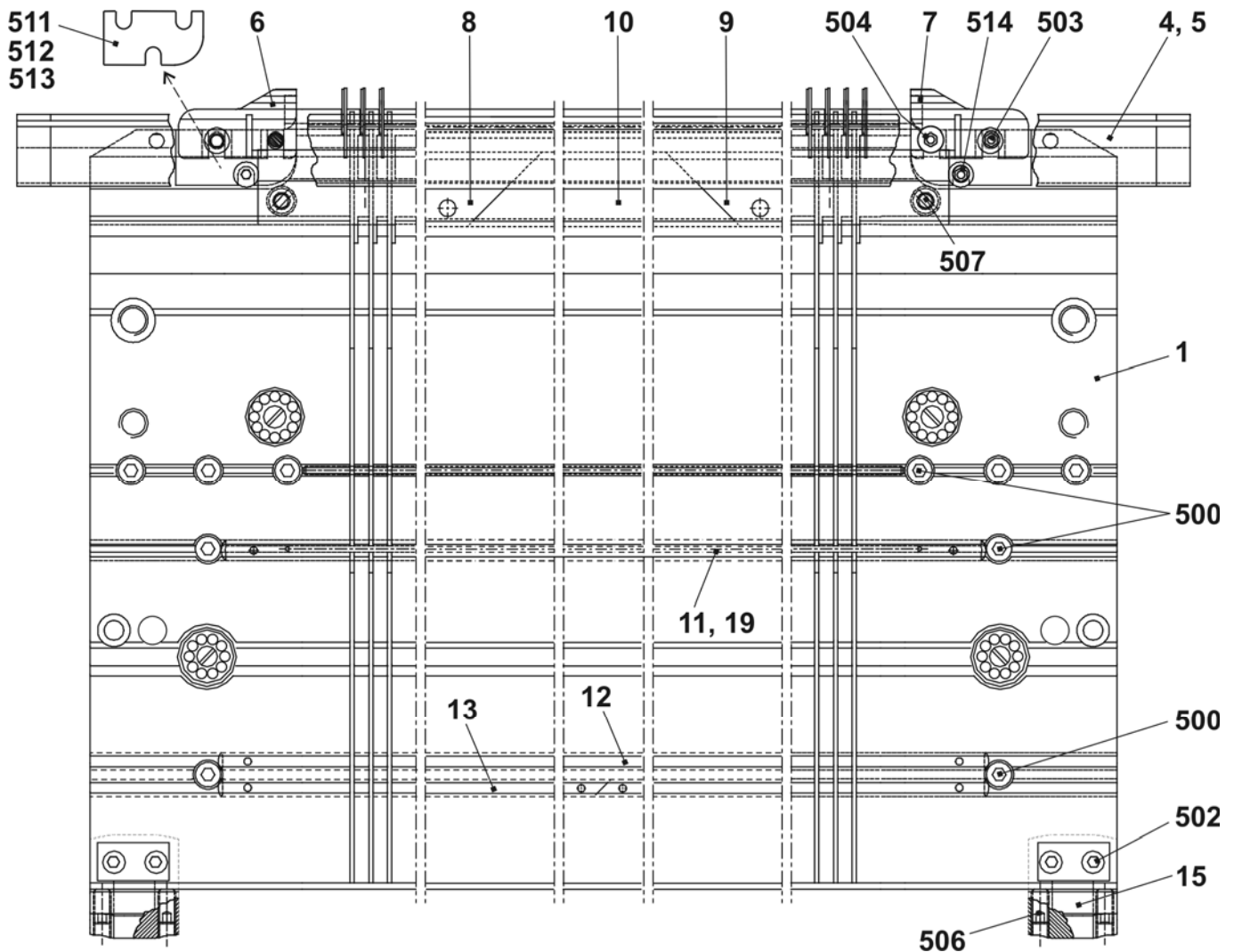
## Continuation needle bed E7m.8

Pos	Designation	ID No.	Pos	Designation	ID No.
$\Sigma$	<b>Needle bed complete at the front + rear E7m.8</b>	<b>210 434</b>	9	Holding-down jack E7	205 032
2	Spring steel wire $\varnothing 0.8$	210 978	14	Fixed wire $\varnothing 2.8$	210 974
3	Spring steel wire $\varnothing 2.0$	210 972	16	Spring steel wire $\varnothing 2.8$	212 173
A4	Needle E8 with round hook	208 745	30*	Adjusting piece	206 375
4b	Coupling part E4-8	200 682	31*	Set screw complete	207 712
6	Intermediate slider with brake E5-E8	237 323	40*	Disk brush	235 612
A7	Selection jack E4-8	200 687	42*	Disk brush	202 600
7b	Selector spring E4-8	200 690	520*	Cap screw M5x12	020 032
8	Knock-over bit E7	207 055	521*	Adjusting washer P6x12x03	023 540



## Needle bed E8m.7

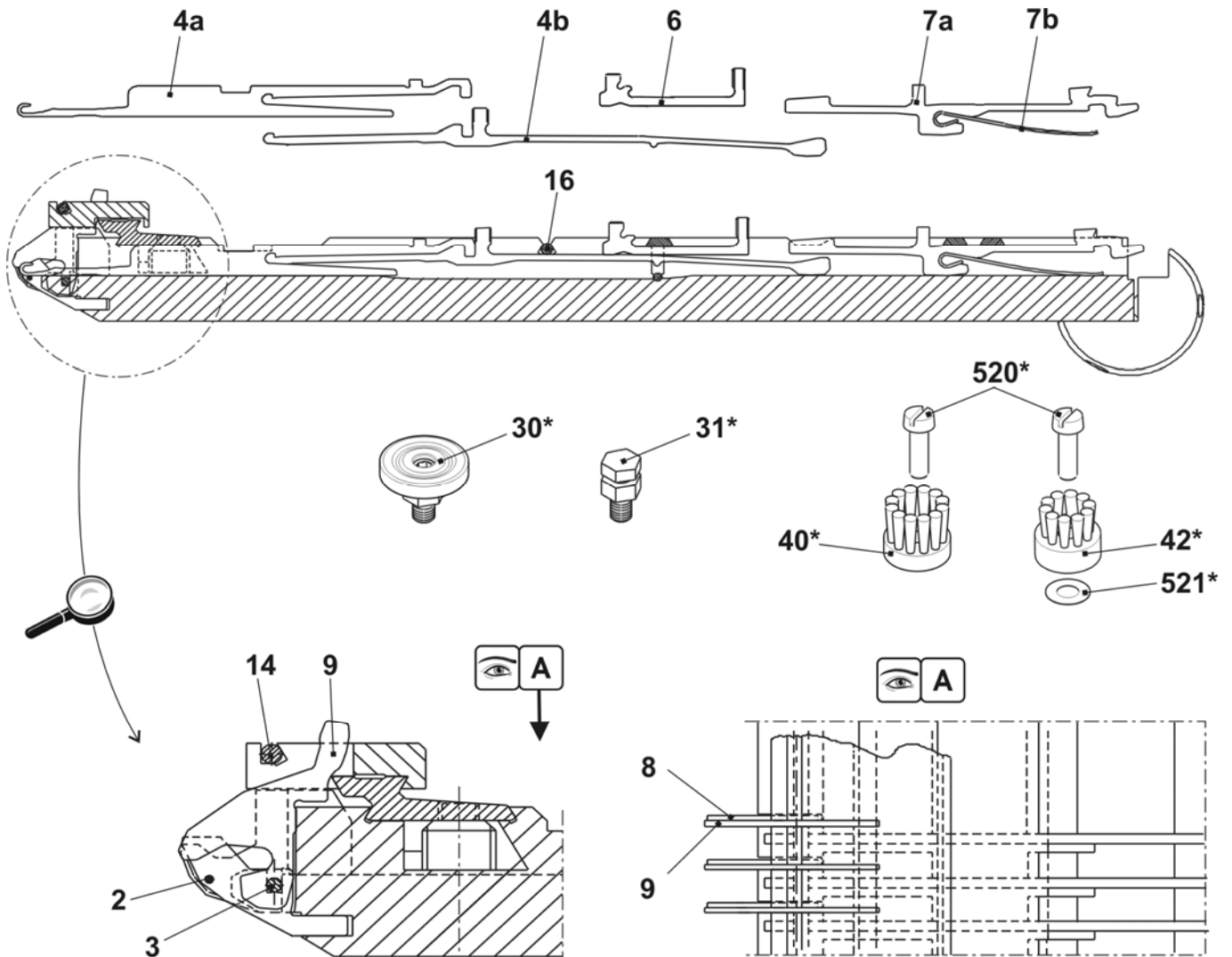
Pos	Designation	ID No.	Pos	Designation	ID No.
$\Sigma$	<b>Needle bed complete at the front and rear E8m.7</b>	<b>210 435</b>	15	Support	206 352
1	Needle bed at the front + rear E8	210 993	19	Cover rail at the rear	210 979
4	Holding-down jack bed at the front E8	211 040	500	Cap screw M5x10	022 918
5	Holding-down jack bed at the rear E8	211 047	502	Cap screw M6x25	020 137
6	Limiters on the left E4-E8	205 343	503	Cap screw M5x8-8.8	023 154
7	Limiters on the right E4-8	205 344	504	Cap screw M5x22	023 193
8	Coupling part	205 311	506	Set screw M6x12-45	022 400
9	Needle rail on the right	205 312	507	Sprung thrust piece B-M10	023 177
10	Coupling part	210 977	511	Shim 0.05x18.5x34	023 196
11	Cover rail at the front E8	210 984	512	Shim 0.1x18.5x34	023 197
12	Cover rail	210 978	513	Shim 0.2x18.5x34	023 253
13	Cover rail	210 980	514	Cap screw M5x8	023 379





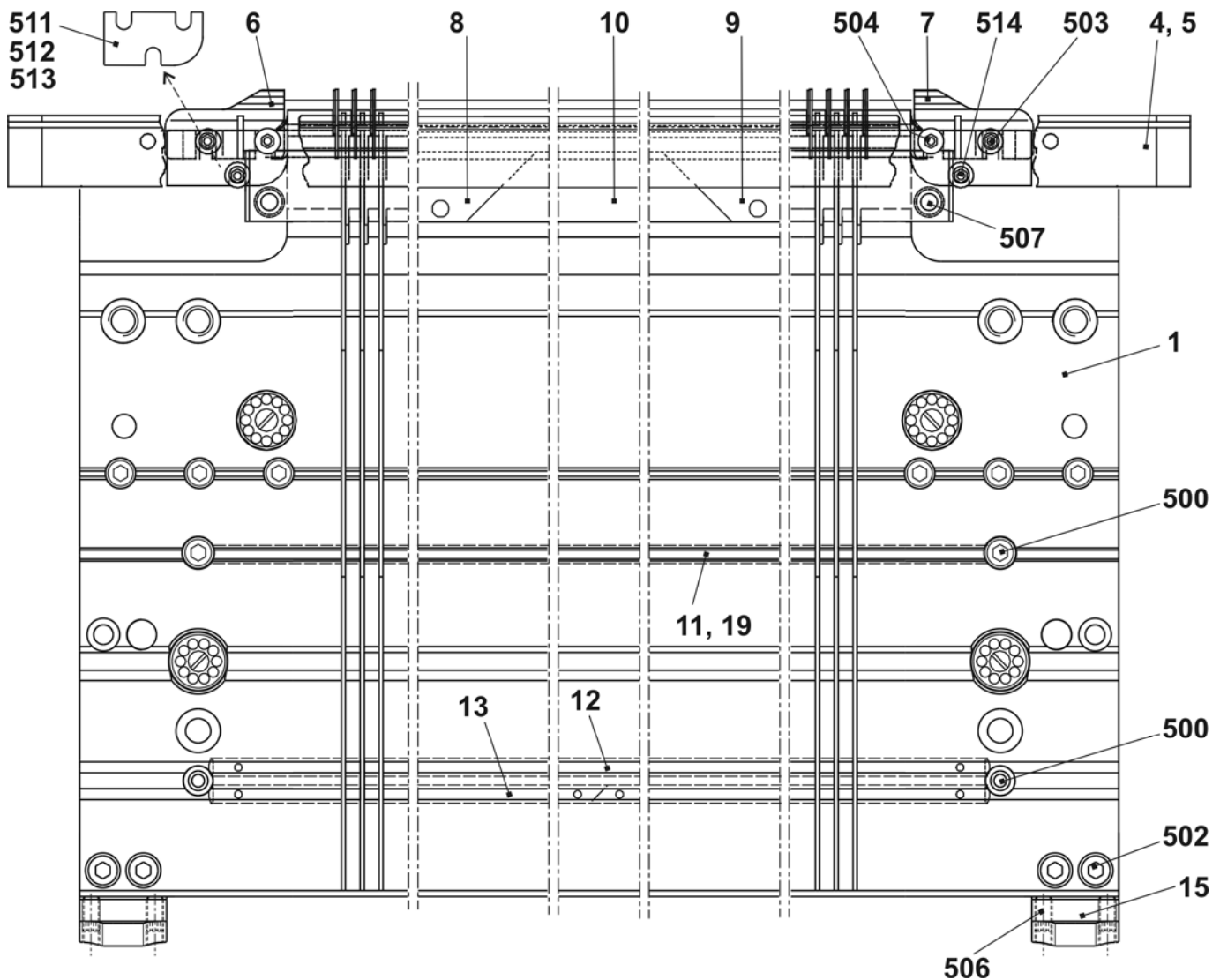
## Continuation needle bed E8m.7

Pos	Designation	ID No.	Pos	Designation	ID No.
$\Sigma$	<b>Needle bed complete at the front and rear E8m.7</b>	<b>210 435</b>	9	Holding-down jack E8	205 028
2	Spring steel wire $\varnothing 0.8$	210 970	14	Fixed wire $\varnothing 2.8$	210 974
3	Spring steel wire $\varnothing 2.0$	210 972	16	Spring steel wire $\varnothing 2.8$	212 173
A4	Needle E7 with round hook	205 397	30*	Adjusting piece	206 375
4b	Coupling part E4-8	200 682	31*	Set screw complete	207 712
6	Intermediate slider with brake E5-E8	237 323	40*	Disk brush	235 612
A7	Selection jack E4-8	200 687	42*	Disk brush	202 600
7b	Selector spring E4-8	200 690	520*	Cap screw M5x12	020 032
8	Knock-over bit E8	207 054	521*	Adjusting washer P6x12x03	023 540



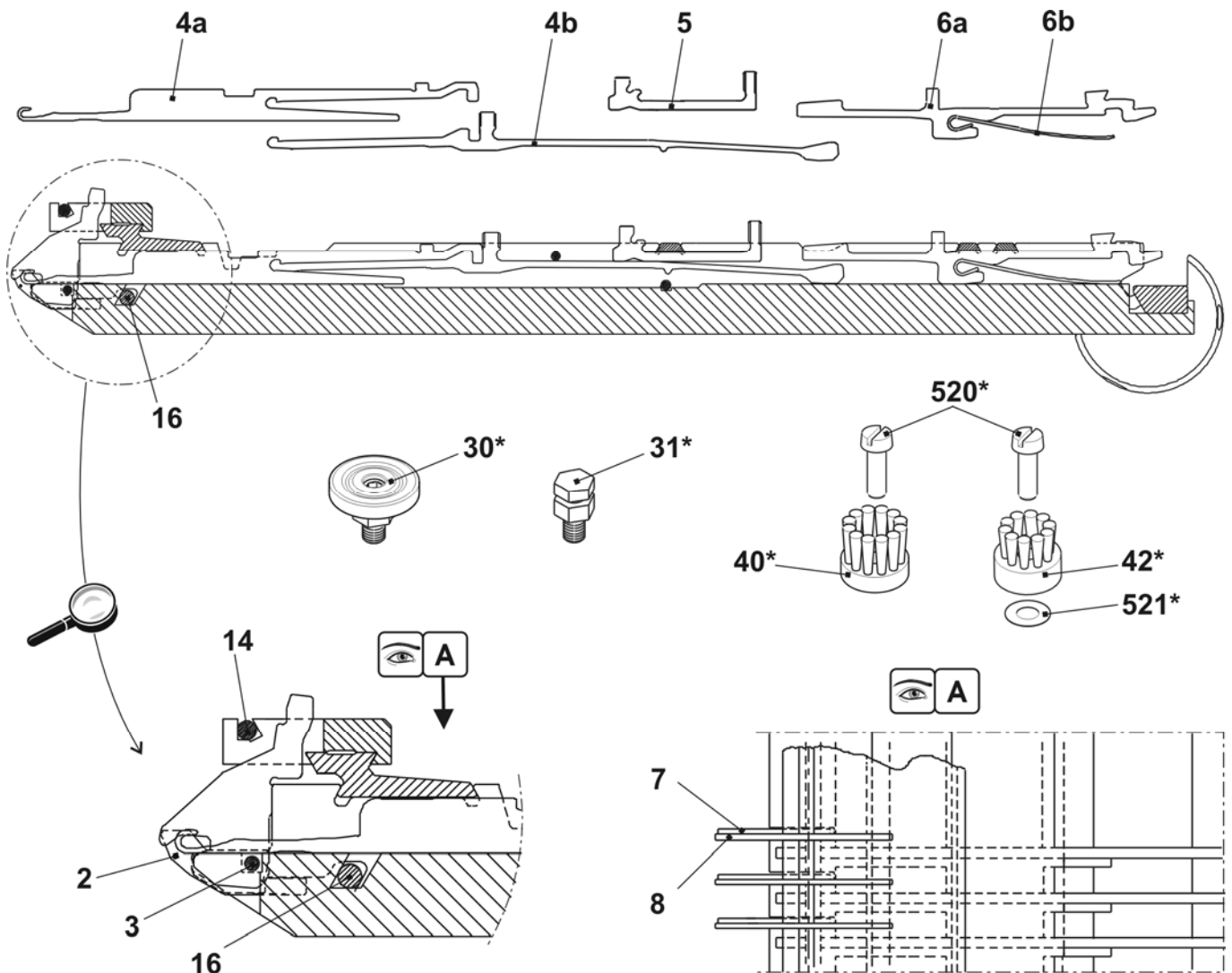
**Needle bed E10m.12**

Pos	Designation	ID No.	Pos	Designation	ID No.
$\Sigma$	<b>Needle bed complete at the front and rear E10m.12</b>	<b>241 662</b>	15	Support	206 352
1	Needle bed at the front + rear E10	241 648	19	Cover rail at the rear	210 979
4	Holding-down jack bed at the front E10	211 041	500	Cap screw M5x10	022 918
5	Holding-down jack bed at the rear E10	211 048	502	Cap screw M6x25	020 137
6	Limiters on the left E10-14	205 764	503	Cap screw M5x8-8.8	023 154
7	Limiters on the right E10-14	205 765	504	Cap screw M5x22	023 193
8	Needle rail on the left	205 311	506	Set screw M6x12-45	022 400
9	Needle rail on the right	205 312	507	Sprung thrust piece B-M10	023 177
10	Coupling part	210 977	511	Shim 0.05x18.5x34	023 196
11	Cover rail at the front E10	210 985	512	Shim 0.1x18.5x34	023 197
12	Cover rail	210 978	513	Shim 0.2x18.5x34	023 253
13	Cover rail	210 980	514	Cap screw M5x8	023 379



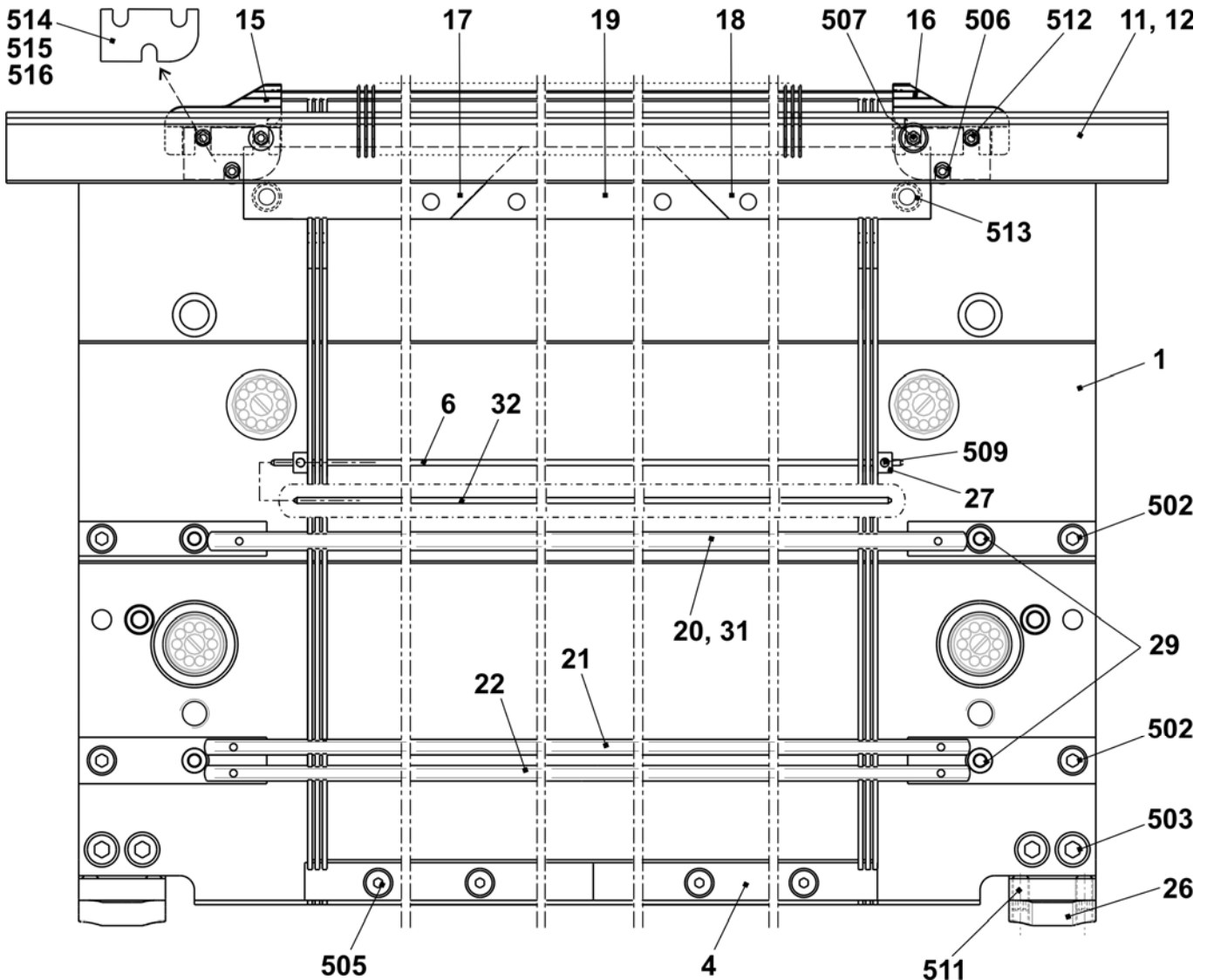
## Continuation needle bed E10m.12

Pos	Designation	ID No.	Pos	Designation	ID No.
$\Sigma$	<b>Needle bed complete at the front and rear E10m.12</b>	<b>241 662</b>	8	Holding-down jack trick wall E10	239 815
2	Spring steel wire $\varnothing 0.6$	210 969	14	Fixed wire $\varnothing 2.8$	210 974
3	Spring steel wire $\varnothing 2.0$	210 972	16	Spring steel wire $\varnothing 2.8$	212 173
A4	Needle E12	204 009	30*	Adjusting piece	206 375
4b	Coupling part E10-12	200 683	31*	Set screw complete	207 712
5	Intermediate slider with brake E10	237 324	40*	Disk brush	235 612
A6	Selection jack E10-12	200 688	42*	Disk brush	202 600
6b	Selector spring E10-12	200 691	520*	Cap screw M5x12	020 032
7	Knock-over bit E10	239 756	521*	Adjusting washer P6x12x03	023 540



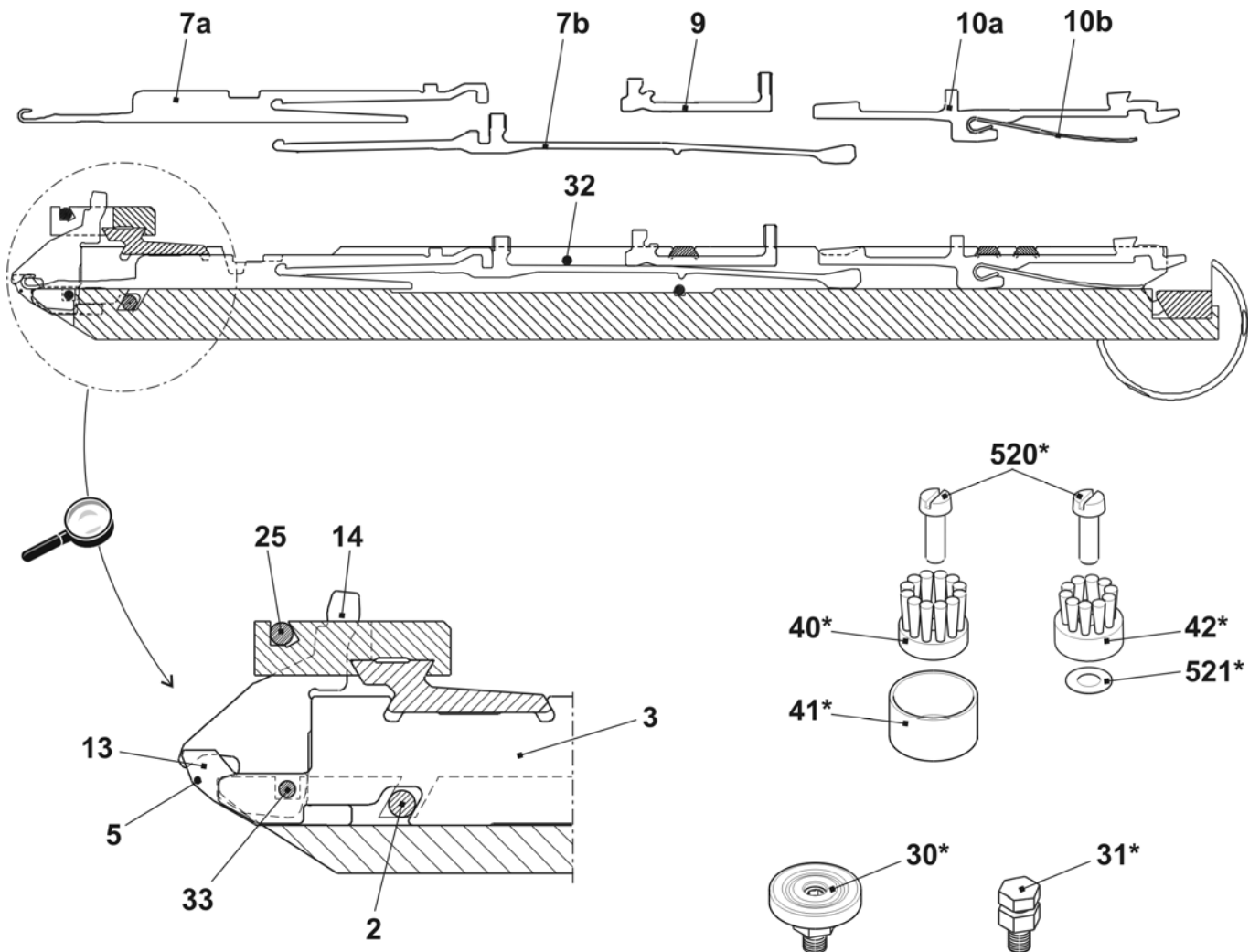
**Needle bed E12m.10**

Pos	Designation	ID No.	Pos	Designation	ID No.
<b>Σ</b>	<b>Needle bed complete at the front and rear E12m.10</b>	<b>253 745</b>			
1	Needle bed at the front + rear E12	253 741	29	Cap screw 5x12	209 484
4	Pressure bar	211 009	31	Cover rail at the rear	210 979
6	Spring steel wire Ø2.0	251 095	32	Spring steel wire Ø2.0	210 973
11	Holding-down jack bed at the front E12	211 042	502	Cap screw M5x12	020 132
12	Holding-down jack bed at the rear E12	211 049	503	Cap screw M6X14	022 658
15	Limiter on the left E10-14	205 764	505	Cap screw M5x8	023 379
16	Limiter on the right E10-14	205 765	506	Cap screw M5x12-8.8	022 943
17	Needle rail on the left	205 311	507	Cap screw M5x22	023 193
18	Needle rail on the right	205 312	509	Set screw 4766-M3,5x3-1	020 512
19	Coupling part	210 977	511	Set screw 4026-M6x12-45	022 400
20	Cover rail at the front E12	210 986	512	Cap screw M5x8-8.8 M	023 154
21	Cover rail	210 978	513	Sprung thrust piece B-M10	023 177
22	Cover rail	210 980	514	Shim 0.05x18.5x34	023 196
26	Support	206 352	515	Shim 0.1x18.5x34	023 197
27	Bush	206 090	516	Shim 0.2x18.5x34	023 253



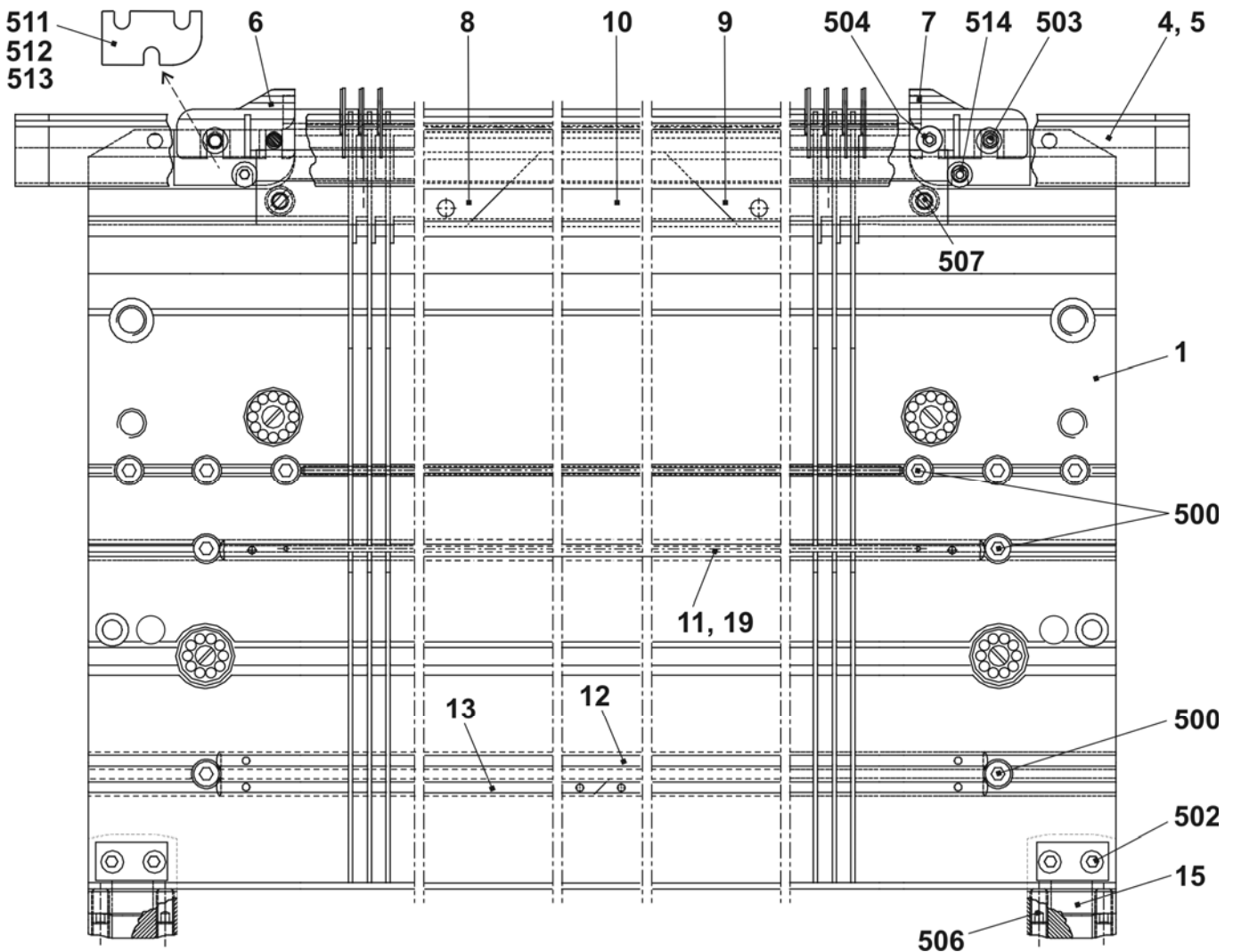
## Continuation needle bed E12m.10

Pos	Designation	ID No.	Pos	Designation	ID No.
<b>Σ</b>	<b>Needle bed complete at the front and rear E12m.10</b>	<b>253 745</b>			
2	Fixed wire ø3.4	210 975	25	Fixed wire Ø2.8	210 974
3	Main trick wall E12	252 628	32	Spring steel wire Ø2.0	210 973
5	Spring steel wire Ø0.6	210 969	33	Spring steel wire Ø2.0	210 973
A7	Needle E10 with round hook	205 398	30*	Adjusting piece	206 375
7b	Coupling part E10-12	200 683	31*	Set screw complete	207 712
9	Intermediate slider with brake E10-12	237 324	40*	Disk brush	235 612
10a	Selection jack E10-12	200 688	41*	Container disk brush	233 012
10b	Selector spring E10-12	200 691	42*	Disk brush	202 600
13	Knock-over bit E12	205 013	520*	Cap screw M5x12	020 032
14	Holding-down jack trick wall E12	227 821	521*	Adjusting washer P6x12x03	023 540



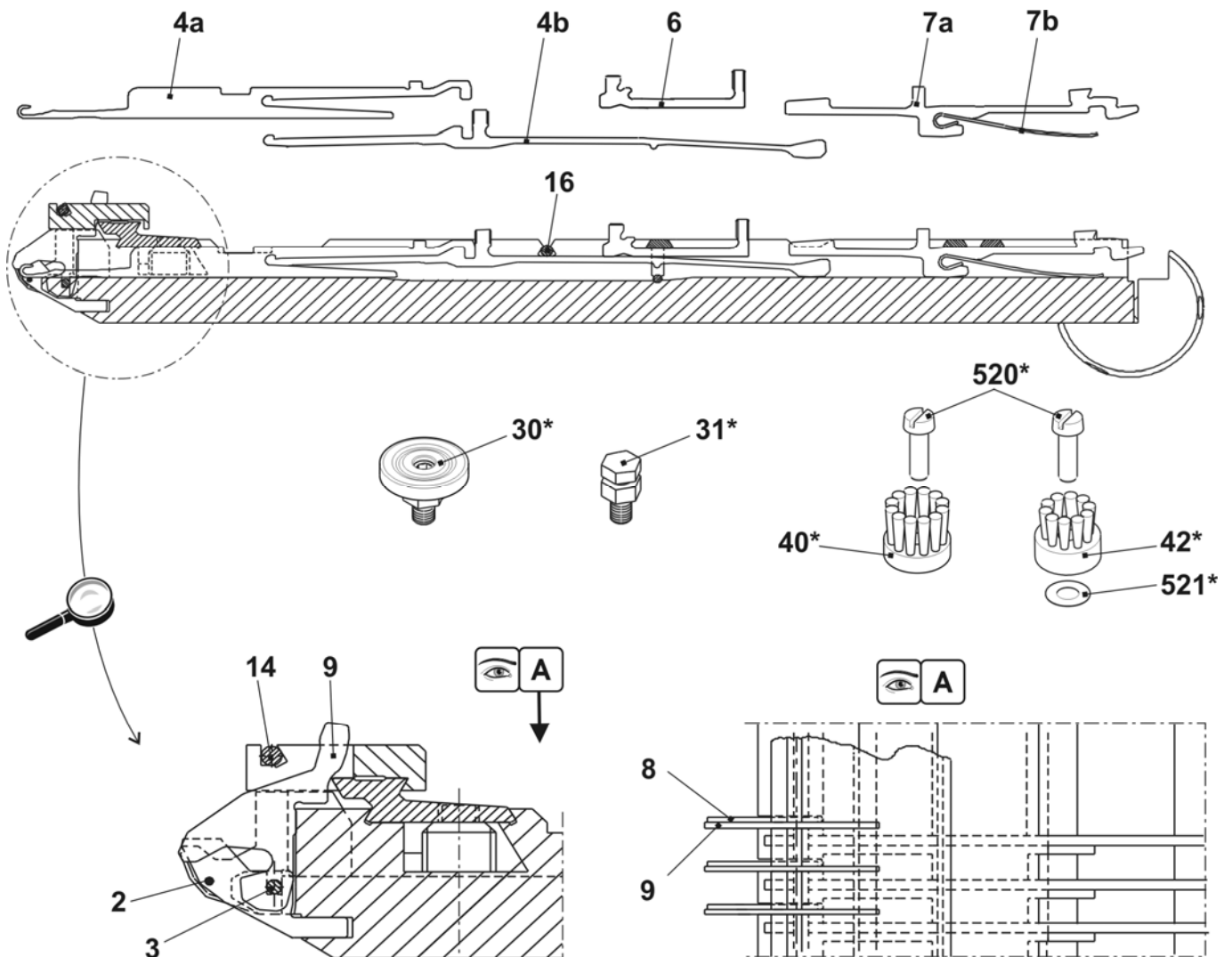
## Needle bed E3,5.2

Pos	Designation	ID No.	Pos	Designation	ID No.
<b>Σ</b>	<b>Needle bed complete at the front and rear E3,5.2</b>	<b>244 613</b>	15	Support	206 352
1	Needle bed at the front + rear E7	210 992	19	Cover rail at the rear	210 979
4	Holding-down jack bed at the front E3,5.2 MG	240 174	500	Cap screw M5x10	022 918
5	Holding-down jack bed at the rear E3,5.2	240 175	502	Cap screw M6x25	020 137
6	Limiters on the left E4-E8	205 343	503	Cap screw M5x8-8.8	023 154
7	Limiters on the right E4-8	205 344	504	Cap screw M5x22	023 193
8	Coupling part	205 311	506	Set screw M6x12-45	022 400
9	Needle rail on the right	205 312	507	Sprung thrust piece B-M10	023 177
10	Coupling part	210 977	511	Shim 0.05x18.5x34	023 196
11	Cover rail at the front E7	210 983	512	Shim 0.1x18.5x34	023 197
12	Cover rail	210 978	513	Shim 0.2x18.5x34	023 253
13	Cover rail	210 980	514	Cap screw M5x8	023 379



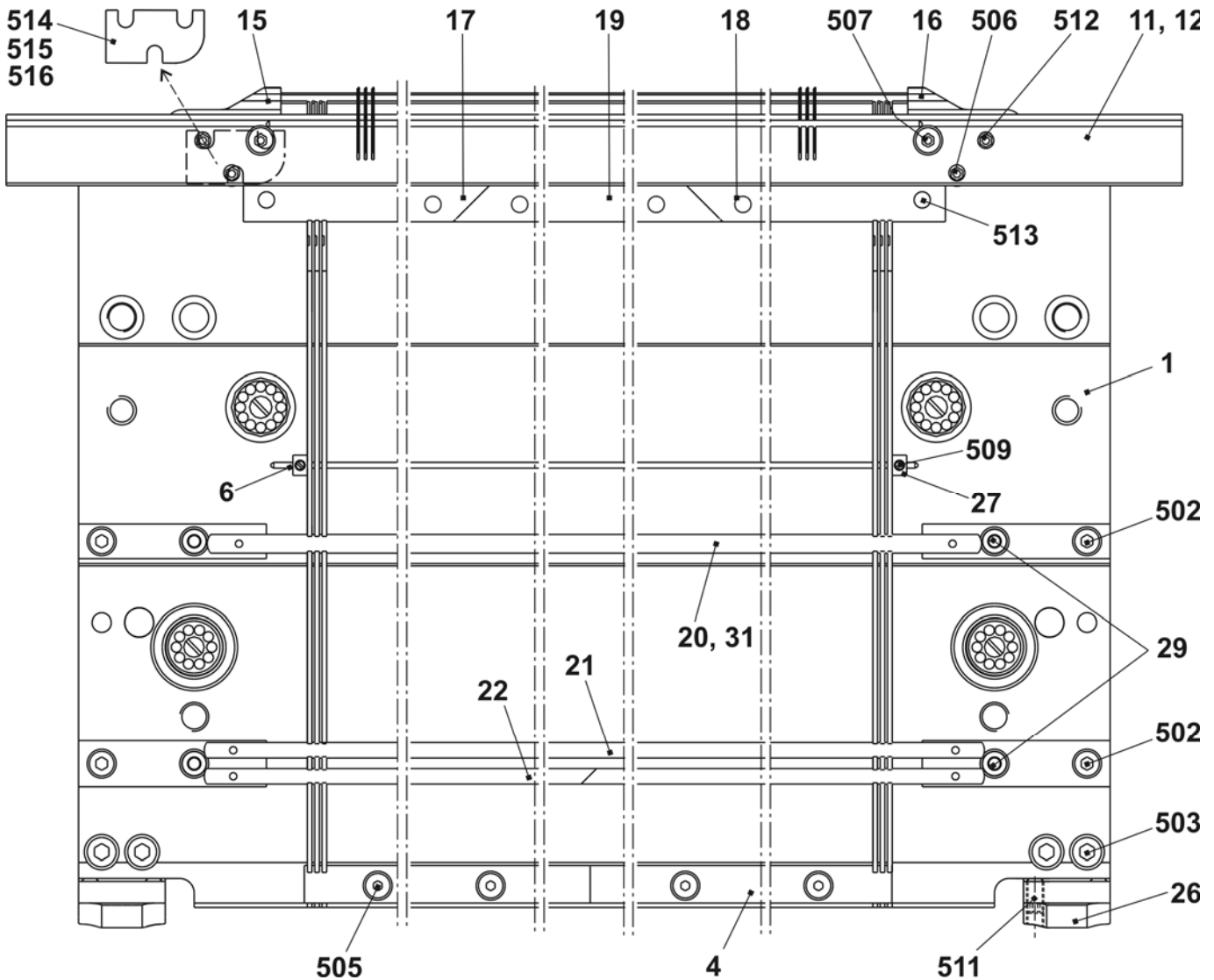
## Continuation needle bed E3,5.2

Pos	Designation	ID No.	Pos	Designation	ID No.
$\Sigma$	<b>Needle bed complete at the front and rear E7</b>	<b>244 613</b>	9	Holding-down jack E7	205 032
2	Spring steel wire $\varnothing 0.8$	210 970	14	Fixed wire $\varnothing 2.8$	210 974
3	Spring steel wire $\varnothing 2.0$	210 972	16	Spring steel wire $\varnothing 2.8$	212 173
A4	Needle E2,5.2 + E3,5.2	232 581	30*	Adjusting piece	206 375
4b	Coupling part E4-8	200 682	31*	Set screw complete	207 712
6	Intermediate slider with brake E5-E8	237 323	40*	Disk brush	235 612
A7	Selection jack E4-8	200 687	42*	Disk brush	202 600
7b	Selector spring E4-8	200 690	520*	Cap screw M5x12	020 032
8	Knock-over bit E7	207 055	521*	Adjusting washer P6x12x03	023 540



## Needle bed E5.2

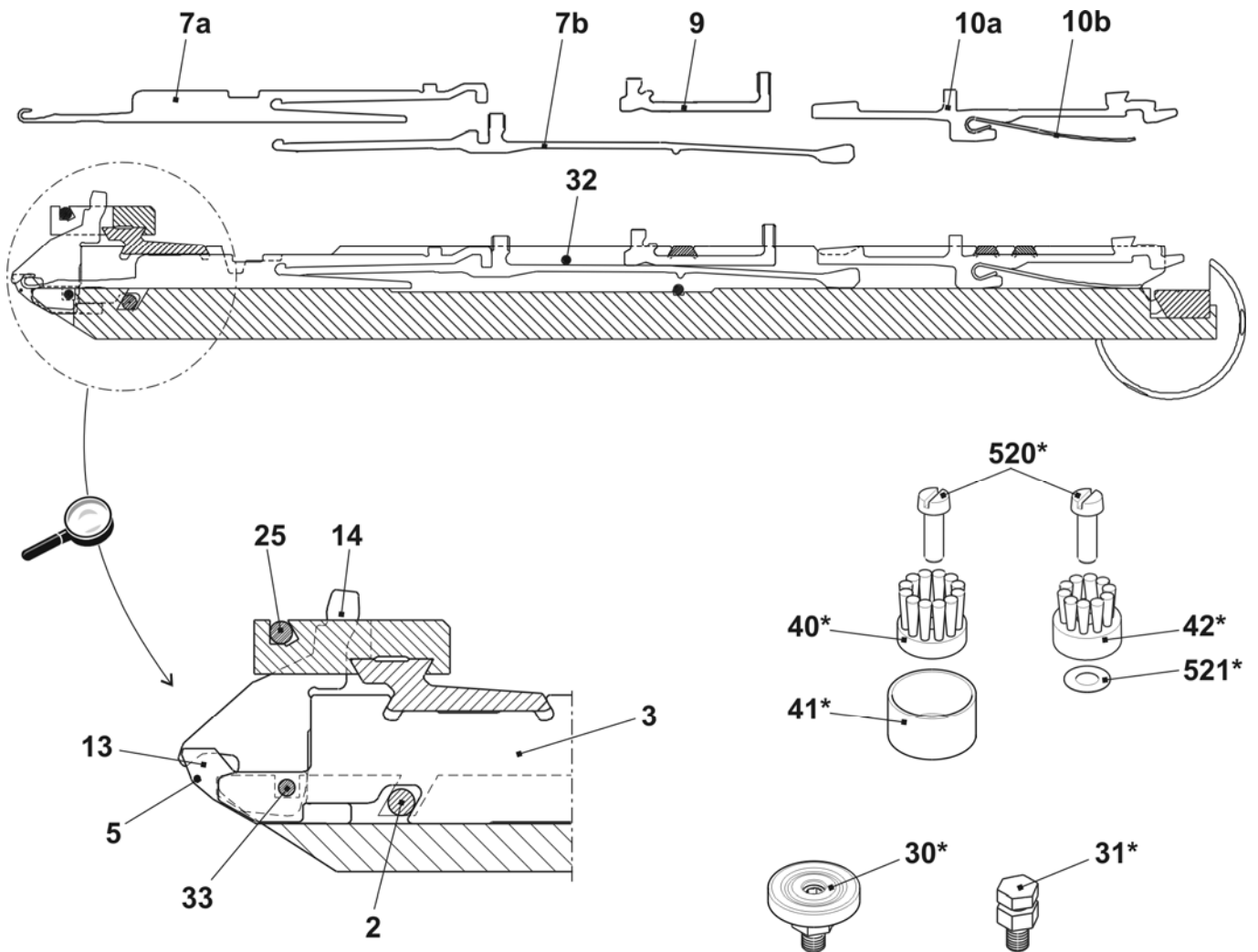
Pos	Designation	ID No.	Pos	Designation	ID No.
$\Sigma$	<b>Needle bed complete at the front and rear E5.2</b>	<b>244 611</b>	27	Bush	206 090
1	Needle bed at the front + rear E5.2	244 532	29	Cap screw 5x12	209 484
4	Pressure bar	211 009	31	Cover rail at the rear	210 979
6	Spring steel wire $\varnothing 2.0$	210 972	502	Cap screw M5x12	020 132
11	Holding-down jack bed at the front E5.2	244 526	503	Cap screw M6X14	022 658
12	Holding-down jack bed at the rear E5.2	244 527	505	Cap screw M5x8	023 379
15	Limiters on the left E4-E8	205 343	506	Cap screw M5x12-8.8	022 943
16	Limiters on the right E4-8	205 344	507	Cap screw M5x22	023 193
17	Needle rail on the left	205 311	509	Setscrew M3.5x3-1	020 512
18	Needle rail on the right	205 312	511	Set screw M6x12-45	022 400
19	Coupling part	210 977	512	Cap screw M5x8-8.8 M	023 154
20	Cover rail at the front E10	210 985	513	Sprung thrust piece B-M10	023 177
21	Cover rail	210 978	514	Shim 0.05x18.5x34	023 196
22	Cover rail	210 980	515	Shim 0.1x18.5x34	023 197
26	Support	206 352	516	Shim 0.2x18.5x34	023 253





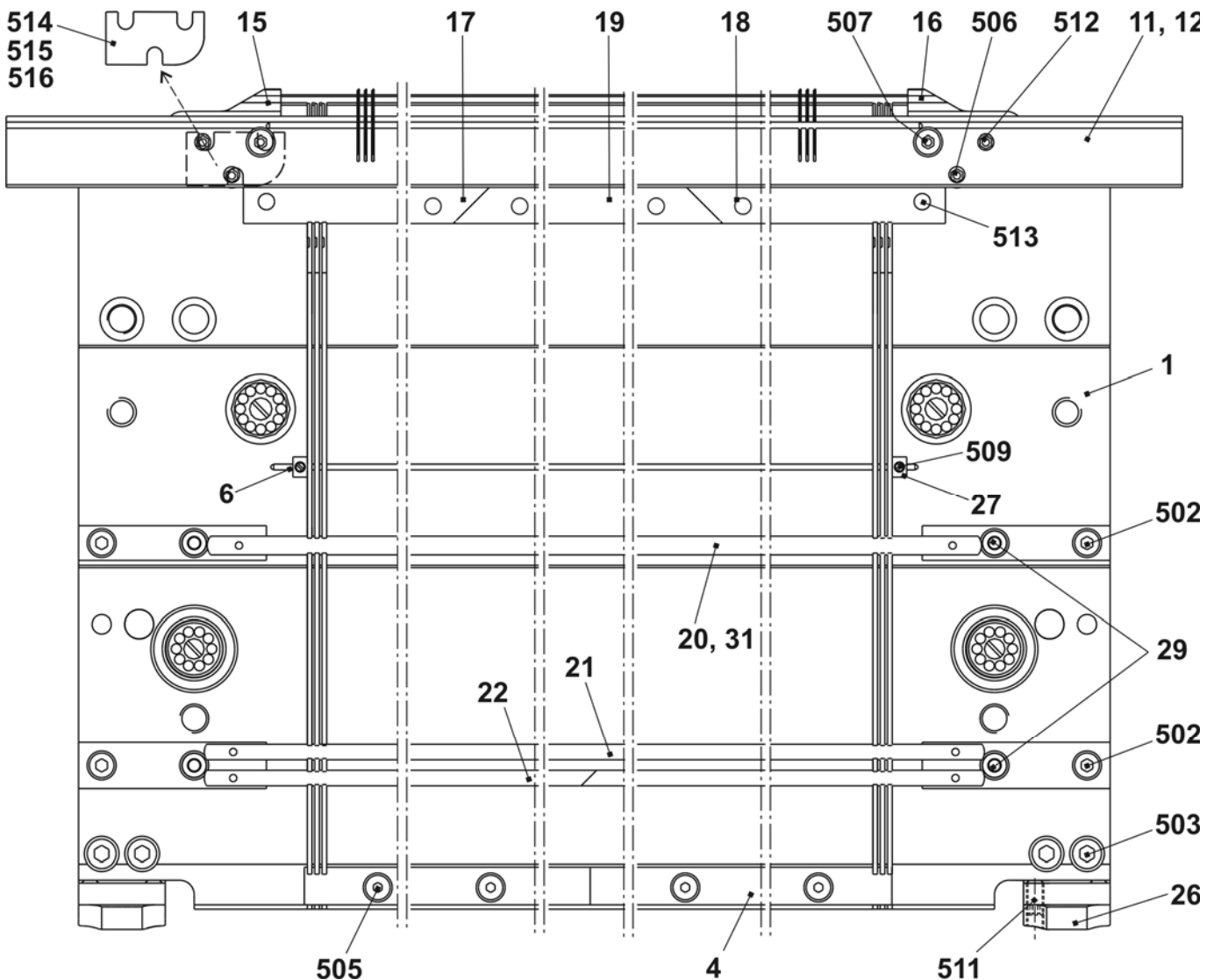
## Continuation needle bed E5.2

Pos	Designation	ID No.	Pos	Designation	ID No.
<b>Σ</b>	<b>Needle bed complete at the front and rear E5.2</b>	<b>244 611</b>			
2	Fixed wire ø3.4	210 975	25	Fixed wire Ø2.8	210 974
3	Main trick wall E5.2	219 171	32	Spring steel wire Ø2.0	210 973
5	Spring steel wire ø1.0	210 971	33	Spring steel wire Ø1.95	212 184
A7	Needle E5.2	219 181	30*	Adjusting piece	206 375
7b	Coupling part E5.2	211 188	31*	Set screw complete	207 712
9	Intermediate slider with brake E5.2	236 030	40*	Disk brush	235 612
10a	Selection jack E5.2	219 214	41*	Container disk brush	233 012
10b	Selector spring E5.2	219 265	42*	Disk brush	202 600
13	Knock-over bit E5.2	221 367	520*	Cap screw M5x12	020 032
14	Holding-down jack trick wall	227 716	521*	Adjusting washer P6x12x03	023 540



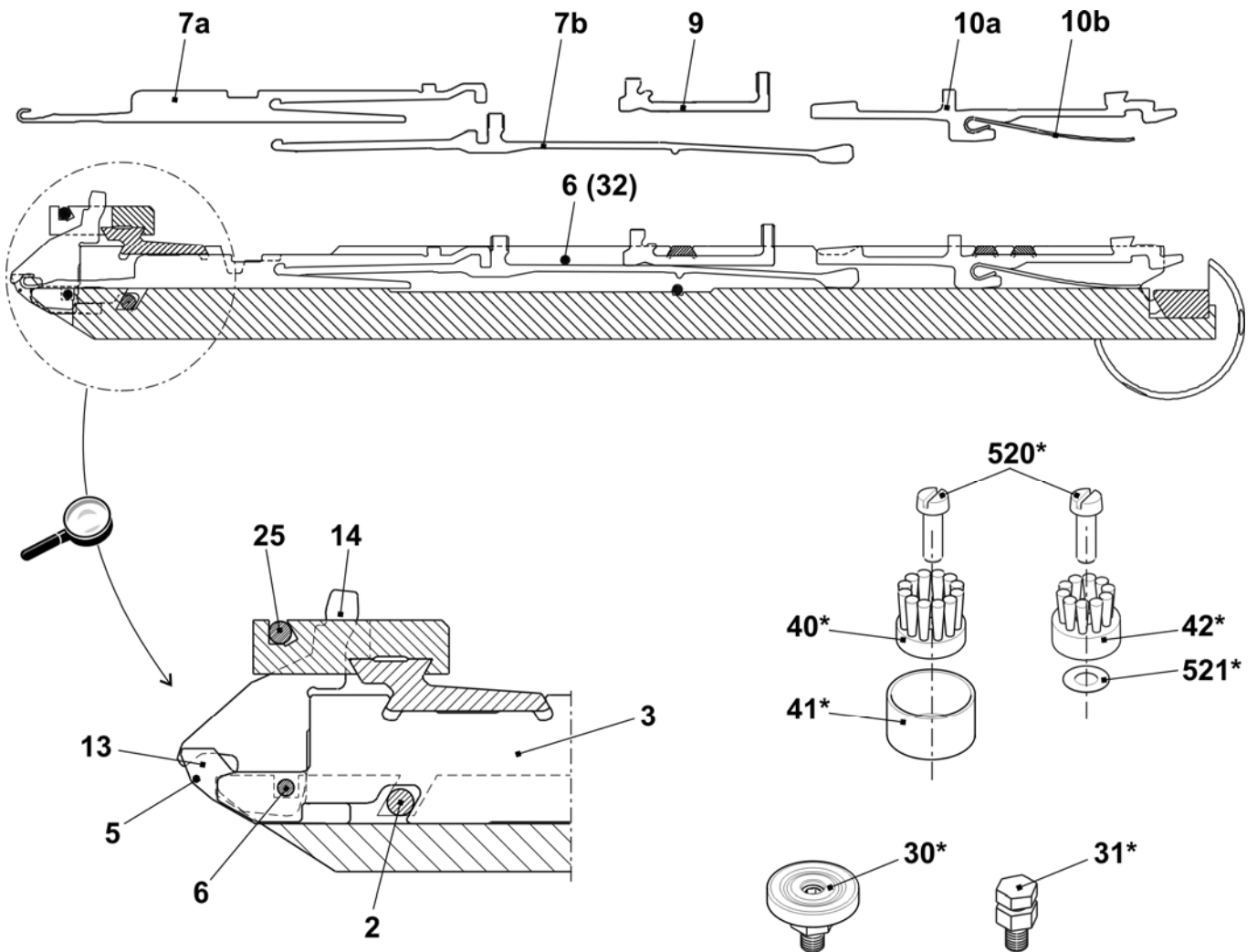
**Needle bed E6.2**

Pos	Designation	ID No.	Pos	Designation	ID No.
<b>Σ</b>	<b>Needle bed complete at the front and rear E6.2</b>	<b>253 746</b>	27	Bush	206 090
1	Needle bed at the front + rear E12	253 741	29	Cap screw 5x12	209 484
4	Pressure bar	211 009	31	Cover rail at the rear	210 979
6	Spring steel wire Ø2.0	251 095	502	Cap screw M5x12	020 132
11	Holding-down jack bed at the front E6.2	244 524	503	Cap screw M6X14	022 658
12	Holding-down jack bed at the rear E6.2	244 525	505	Cap screw M5x8	023 379
15	Limiters on the left E10-14	205 764	506	Cap screw M5x12-8.8	022 943
16	Limiters on the right E10-14	205 765	507	Cap screw M5x22	023 193
17	Needle rail on the left	205 311	509	Set screw 4766-M3,5x3-1	020 512
18	Needle rail on the right	205 312	511	Set screw 4026-M6x12-45	022 400
19	Coupling part	210 977	512	Cap screw M5x8-8.8 M	023 154
20	Cover rail at the front E12	210 986	513	Sprung thrust piece B-M10	023 177
21	Cover rail	210 978	514	Shim 0.05x18.5x34	023 196
22	Cover rail	210 980	515	Shim 0.1x18.5x34	023 197
26	Support	206 352	516	Shim 0.2x18.5x34	023 253



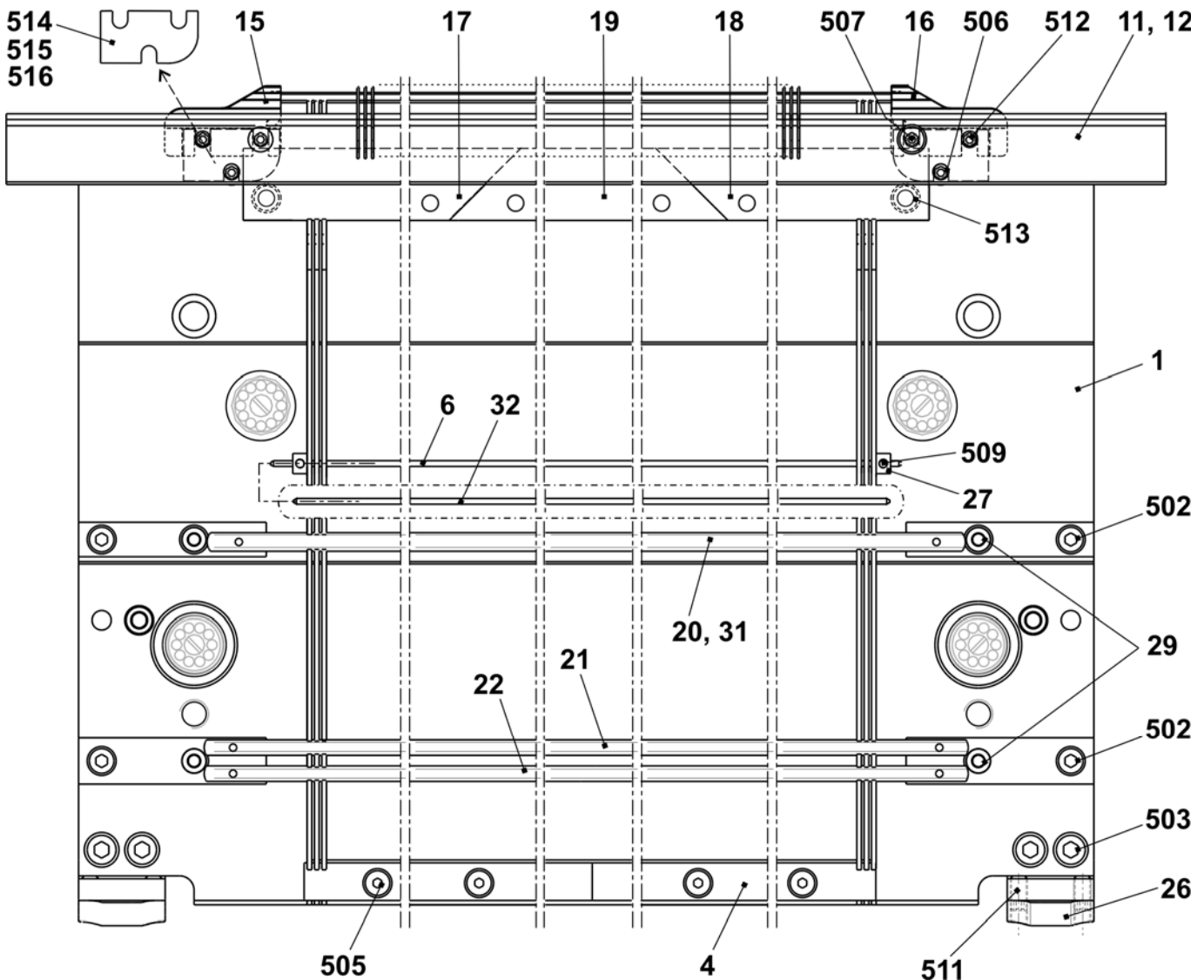
**Continuation needle bed E6.2**

Pos	Designation	ID No.	Pos	Designation	ID No.
<b>Σ</b>	<b>Needle bed complete at the front + rear E6.2</b>	<b>253 746</b>			
2	Fixed wire ø3.4	210 975	14	Holding-down jack trick wall E12	227 821
3	Main trick wall E12	252 628	25	Fixed wire Ø2.8	210 974
5	Spring steel wire Ø0.6	210 969	32	Spring steel wire Ø2.0	210 973
6	Spring steel wire Ø2.0	251 095	30*	Adjusting piece	206 375
A7	Needle E6.2	207 349	31*	Set screw complete	207 712
7b	Coupling part E10-12	200 683	40*	Disk brush	235 612
9	Intermediate slider with brake E10-12	237 324	41*	Container disk brush	233 012
10a	Selection jack E10-12	200 688	42*	Disk brush	202 600
10b	Selector spring E10-12	200 691	520*	Cap screw M5x12	020 032
13	Knock-over bit E12	205 013	521*	Adjusting washer P6x12x03	023 540



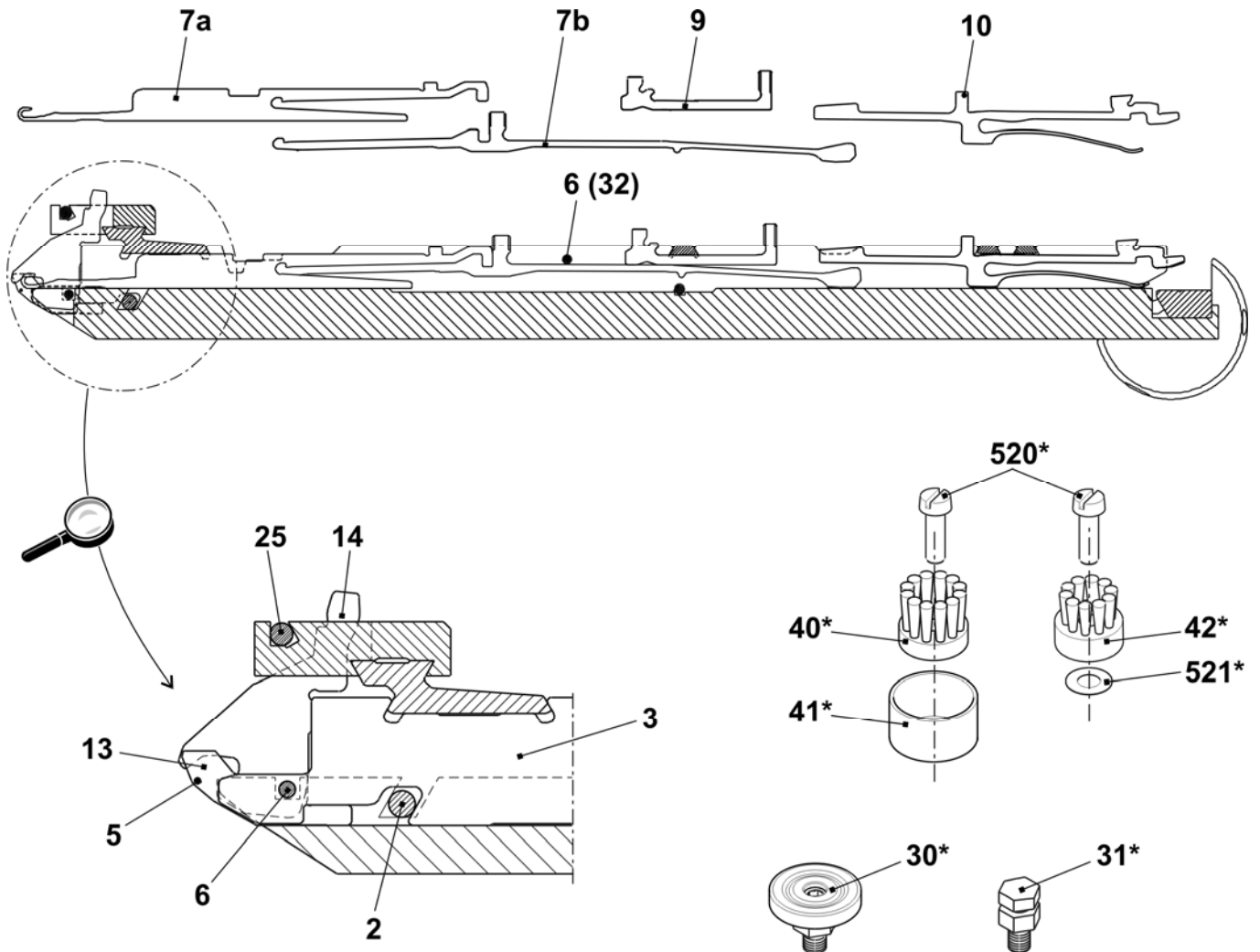
## Needle bed E7.2

Pos	Designation	ID No.	Pos	Designation	ID No.
<b>Σ</b>	<b>Needle bed complete at the front + rear E7.2</b>	<b>253 747</b>			
1	Needle bed at the front + rear E14	253 742	29	Cap screw 5x12	209 484
4	Pressure bar	211 009	31	Cover rail at the rear	210 979
6	Spring steel wire Ø2.0	251 095	32	Spring steel wire Ø2.0	210 973
11	Holding-down jack bed at the front E7.2 MG	240 176	502	Cap screw M5x12	020 132
12	Holding-down jack bed at the rear E7.2 MG	240 177	503	Cap screw M6X14	022 658
15	Limiter on the left E10-14	205 764	505	Cap screw M5x8	023 379
16	Limiter on the right E10-14	205 765	506	Cap screw M5x12-8.8	022 943
17	Needle rail on the left	205 311	507	Cap screw M5x22	023 193
18	Needle rail on the right	205 312	509	Setscrew M3.5x3-1	020 512
19	Coupling part	210 977	511	Set screw I6x12-45	022 400
20	Cover rail at the front E14	210 987	512	Cap screw M5x8-8.8 M	023 154
21	Cover rail	210 978	513	Sprung thrust piece B-M10	023 177
22	Cover rail	210 980	514	Shim 0.05x18.5x34	023 196
26	Support	206 352	515	Shim 0.1x18.5x34	023 197
27	Bush	206 090	516	Shim 0.2x18.5x34	023 253



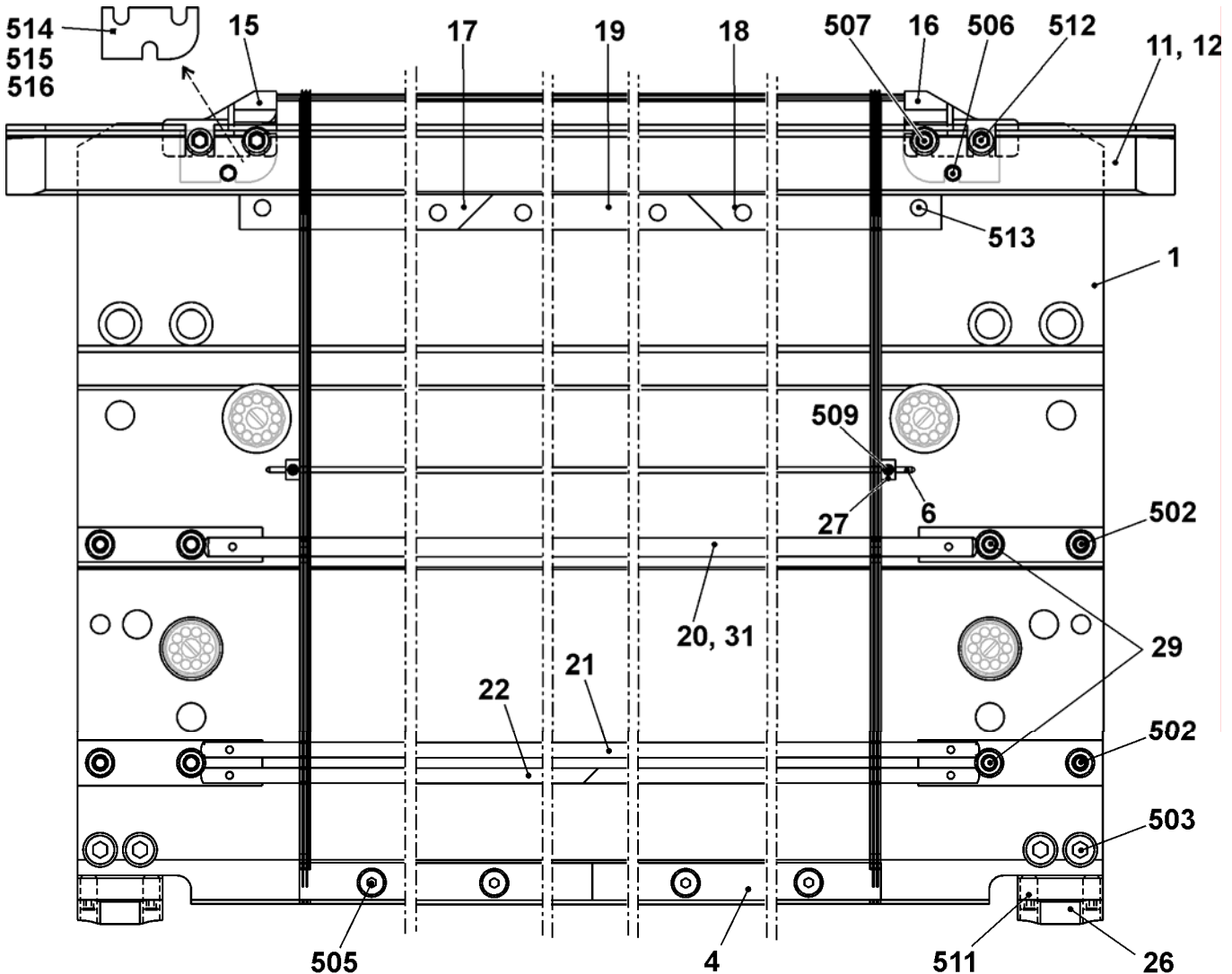
## Continuation needle bed E7.2

Pos	Designation	ID No.	Pos	Designation	ID No.
$\Sigma$	<b>Needle bed complete at the front and rear</b>	<b>253 747</b>	14	Holding-down jack trick wall E14	235 262
2	Fixed wire $\varnothing 3.4$	210 975	25	Fixed wire $\varnothing 2.8$	210 974
3	Main trick wall E14	252 629	32	Spring steel wire $\varnothing 2.0$	210 973
5	Spring steel wire $\varnothing 0.6$	210 969	30*	Adjusting piece	206 375
6	Spring steel wire $\varnothing 2.0$	251 095	31*	Set screw complete	207 712
A7	Needle E7.2	225 230	40*	Disk brush	235 612
7b	Coupling part E14	209 633	41*	Container disk brush	233 012
9	Intermediate slider with brake E14	237 373	42*	Disk brush	202 600
10	Selection jack with spring E14	224 725	520*	Cap screw M5x12	020 032
13	Knock-over bit E14	209 649	521*	Adjusting washer P6x12x03	023 540



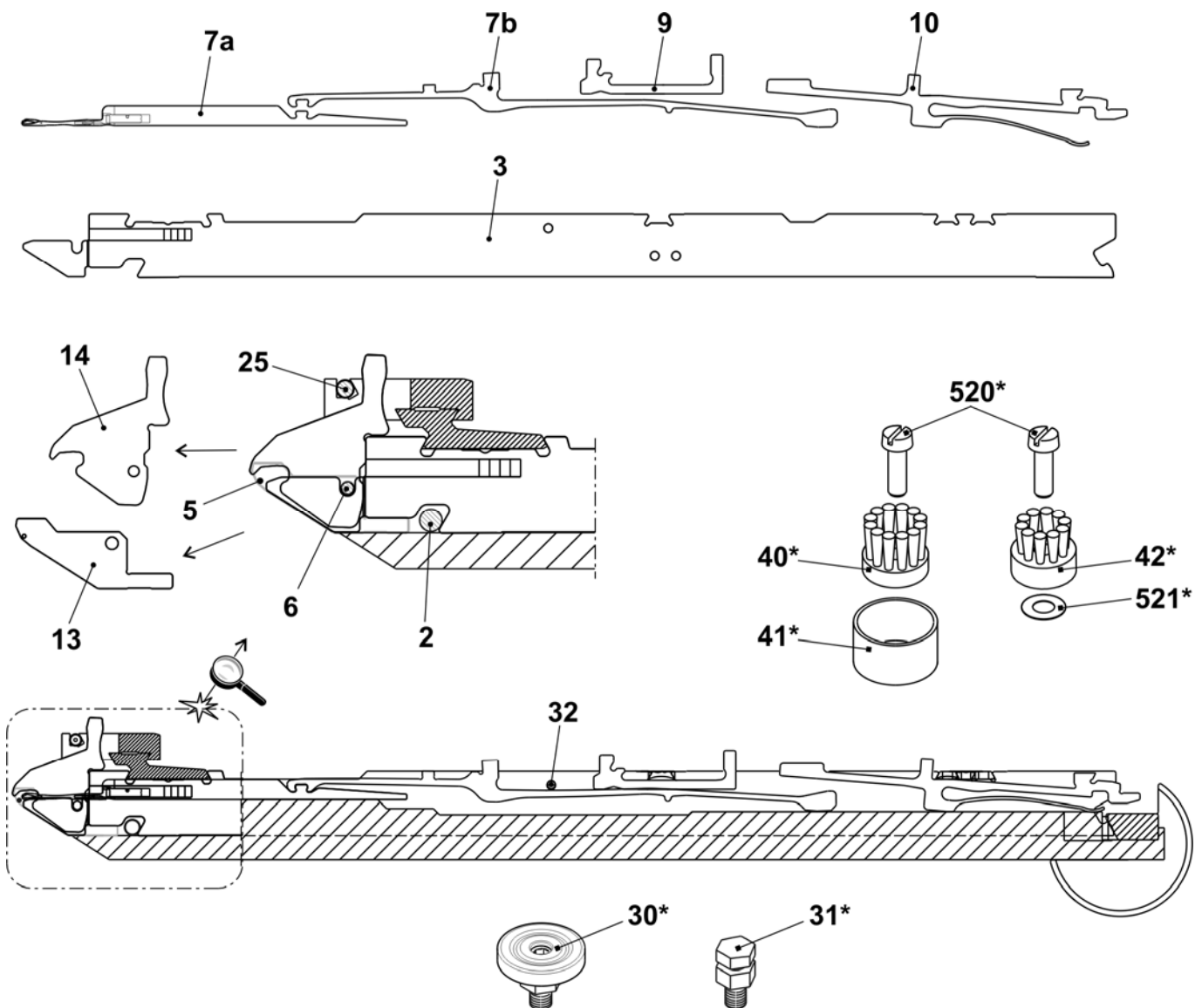
## Needle bed E8.2

Pos	Designation	ID No.	Pos	Designation	ID No.
$\Sigma$	<b>Needle bed complete at the front and rear E8.2</b>	<b>251 125</b>			
1	Needle bed at the front rear E16	251 087	27	Bush	206 090
4	Pressure bar	211 009	29	Cap screw 5x12	209 484
6	Spring steel wire $\varnothing 2.0$	251 095	31	Cover rail at the rear	210 979
11	Holding-down jack bed at the front E16	244 566	502	Cap screw M5x12	020 132
12	Holding-down jack bed at the rear E16	244 568	503	Cap screw M6X14	022 658
15	Limiters on the left E16-E20	220 821	505	Cap screw M5x8	023 379
16	Limiters on the right E16-E20	220 822	506	Cap screw M5x12	022 943
17	Needle rail on the left	205 311	507	Cap screw M5x22	023 193
18	Needle rail on the right	205 312	509	Setscrew M3.5x3	020 512
19	Coupling part	210 977	511	Set screw M6x12	022 400
20	Cover rail at the front E16	244 597	513	Sprung thrust piece B-M10	023 177
21	Cover rail	210 978	514	Shim 0.05x18.5x34	023 196
22	Cover rail	210 980	515	Shim 0.1x18.5x34	023 197
26	Support	206 352	516	Shim 0.2x18.5x34	023 253



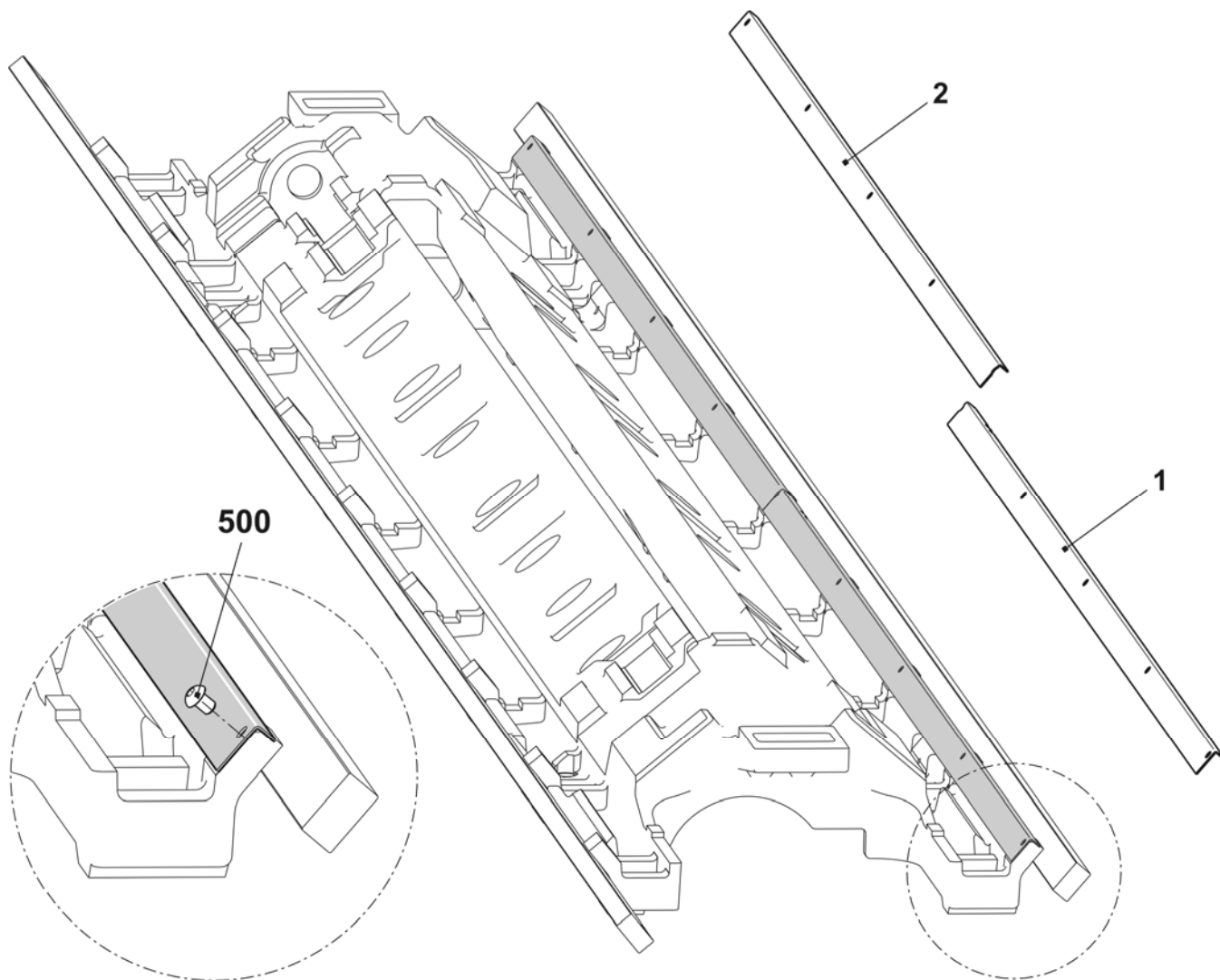
## Continuation needle bed E8.2

Pos	Designation	ID No.	Pos	Designation	ID No.
<b>Σ</b>	<b>Needle bed complete at the front and rear E8.2</b>	<b>251 125</b>			
2	Fixed wire ø3.4	210 975	25	Fixed wire Ø2.8 E16-18	244 587
3	Main trick wall E16	245 319	32	Spring steel wire Ø2.0	210 973
5	Spring steel wire Ø0.5	244 585	30*	Adjusting piece	206 375
A7	Needle E18/14	240 026	31*	Set screw complete	207 712
7b	Coupling part E16-20	220 382	40*	Disk brush	235 612
9	Intermediate slider complete E16	239 271	41*	Container disk brush	233 012
10	Selection jack with spring E16	224 326	42*	Plate brush ø12	202 600
13	Knock-over bit E16	222 503	520*	Cap screw M5x12	020 032
14	Holding-down jack E16	222 504	521*	Adjusting washer P6x12x0.3	023 540



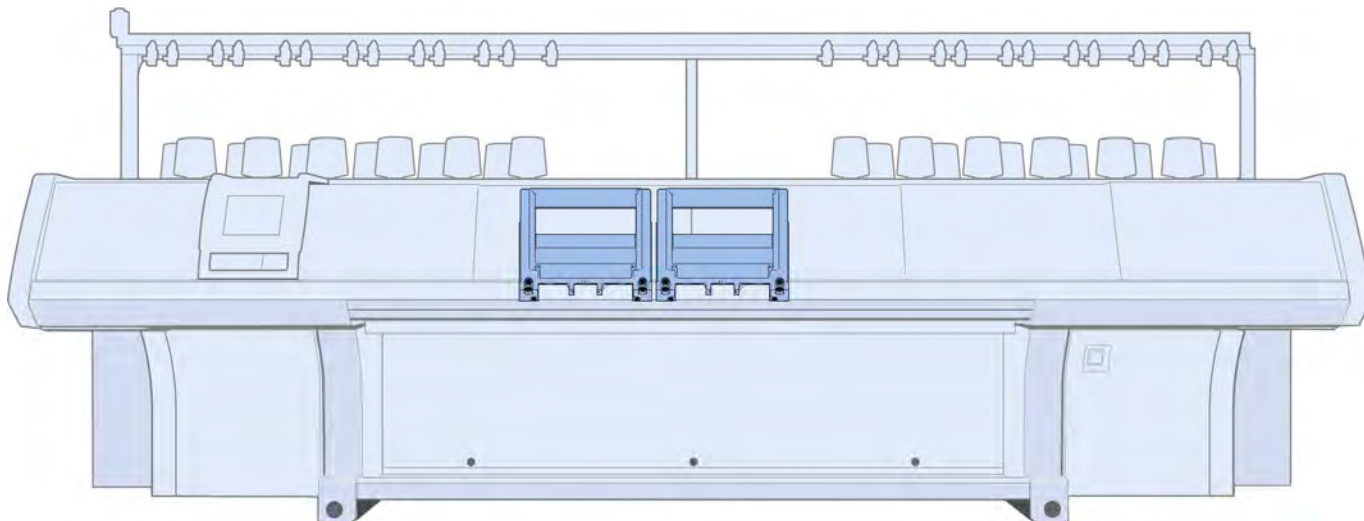
## Cover on the left and on the right

Pos	Designation	ID No.	Pos	Designation	ID No.
1	Cover on the left	242 253	500	Countersunk screw M8x10	241 930
2	Cover on the right	242 254			



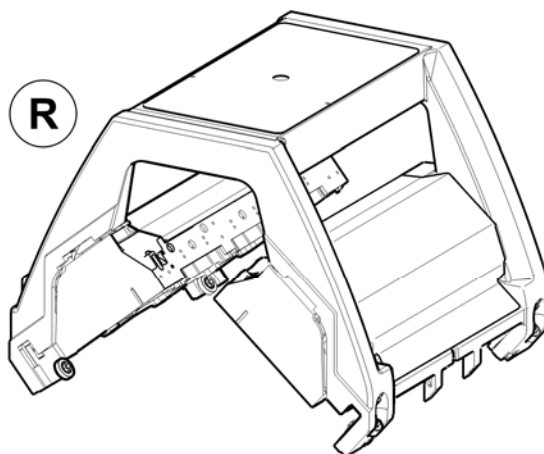
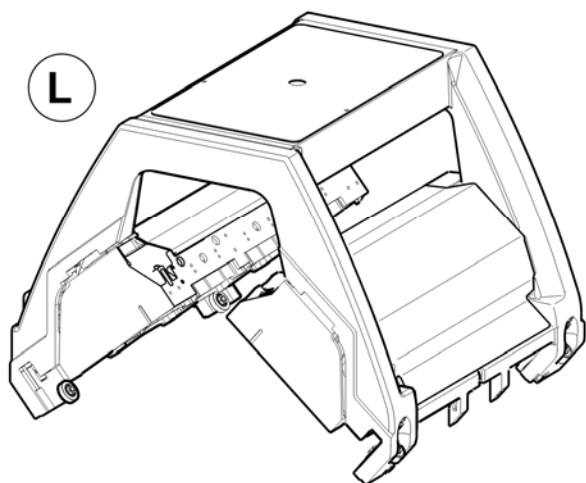


# Tandem carriage



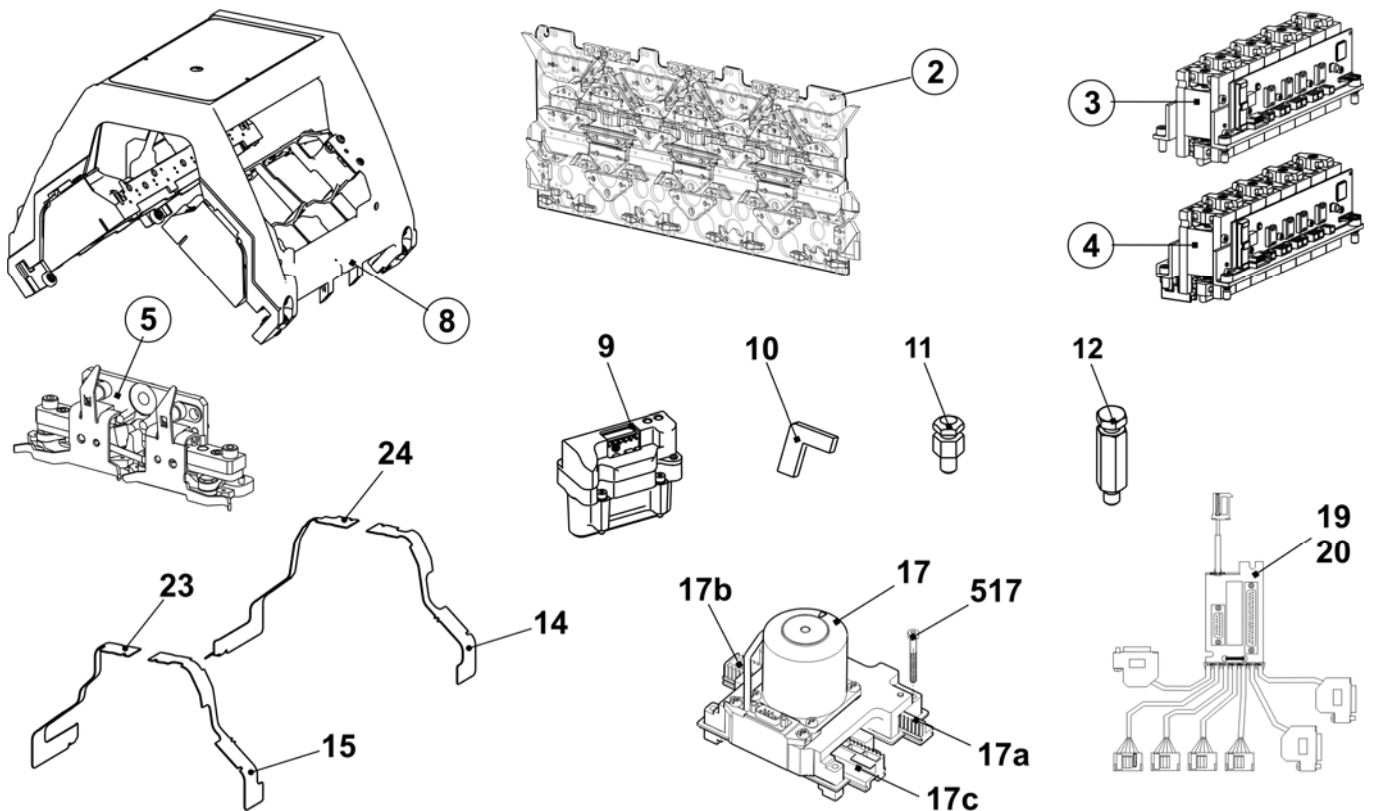
## Complete Carriage

Pos	Designation	ID No.	Pos	Designation	ID No.
$\Sigma$ L	<b>Carriage left complete</b>		$\Sigma$ R	<b>Carriage right complete</b>	
	E5 + E5m.4 + E7m.5 + E3,5.2	244 465		E5 + E5m.4 + E7m.5 + E3,5.2	244 466
	E7 + E8 + E7m.8 + E8m.7	243 884		E7 + E8 + E7m.8 + E8m.7	243 885
	E10	244 744		E10	244 745
	E12	243 904		E12	243 905
	E14	242 952		E14	242 953
	E16	244 754		E16	244 755
	E10m.12	244 746		E10m.12	244 747
	E12m.10	244 748		E12m.10	244 749
	E5.2	244 773		E5.2	244 774
	E6.2	244 775		E6.2	244 776
	E7.2	244 777		E7.2	244 778
	E8.2	244 779		E8.2	244 780



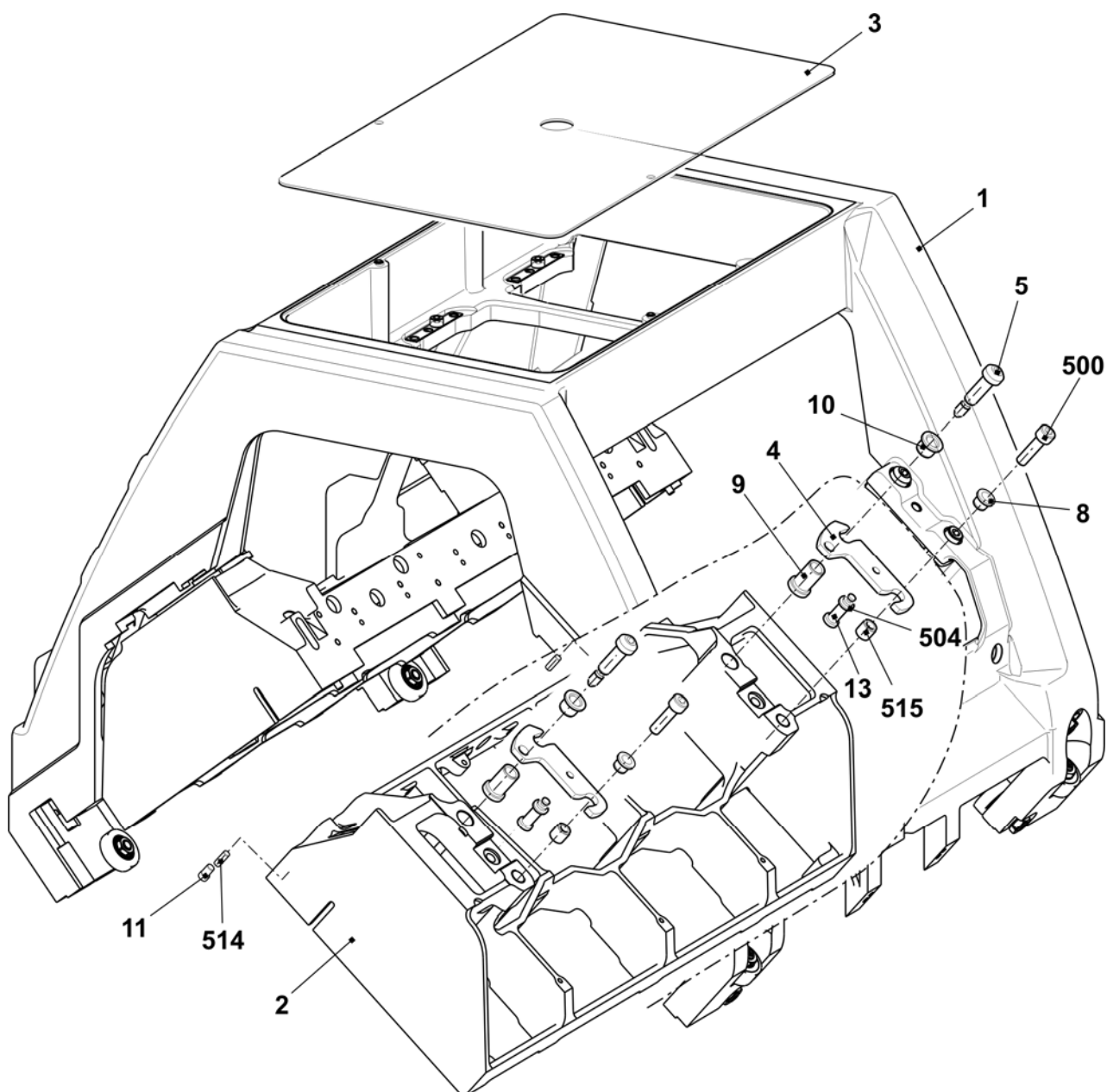
## Overview of Carriage Parts

Pos	Designation	ID No.	Pos	Designation	ID No.		
2	Cam box set complete	244 467	5	##NO_MATCH##. E16 + E8.2	250 250		
	E5+E5m.4+E7m.5+E3,5.2+E5.2		8	Carriage assembly 3 cam boxes on the left complete	251 367		
	E7 + E8 + E7m.8 + E8m.7		243 883		Carriage assembly 3 cam boxes on the right complete	251 368	
	E10 on the left		244 742	9	Selection system complete		
	E10 on the right		244 743		E2 - E8 + E5m.4 + E7m.5 + E3,5.2 + E7m.8 + E8m.7	216 218	
	E12 on the left		243 906		E10 + E12 + E5.2 + E6.2 + E10m.12 + E12m.10	216 219	
	E12 on the right		243 907		E14 + E7.2	229 300	
	E14		242 962		E16 + E8.2	220 114	
	E16		244 622		10	Wiper (felt)	241 411
	E6.2		244 615	11	Bolt	212 392	
	E7.2		244 618	12	Bolt	243 171	
	E8.2		244 625	14	Cover plate on the right	250 275	
	E10m.12 on the left		244 750	15	Cover plate on the left	250 274	
	E10m.12 on the right		244 751	17	Motor unit complete	211 017	
	E12m.10 on the left		244 752		A17	Gear rack at the top	209 781
	E12m.10 on the right		244 753		17b	Gear rack in the middle	209 782
					17c	Gear rack at the bottom	209 783
3	YC driving outside complete	241 080	517	Screw M4x12	023 367		
4	YC driving in the middle complete	241 081	19	Distributor at the rear on the left 933 OKC	242 755		
5	Holding-down jack control complete	241 515	20	Distributor at the front on the left 933 OKC	242 756		
	E5 + E7 + E8 + E7m.8 + E8m.7 + E5m.4 + E7m.5 + E3,5.2 + E5.2		23	Guide plate at the rear on the left	245 325		
	E10 + E10m.12		24	Guide plate at the rear on the right	245 326		
	E12 + E14 + E6.2 + E7.2 + E12m.10						



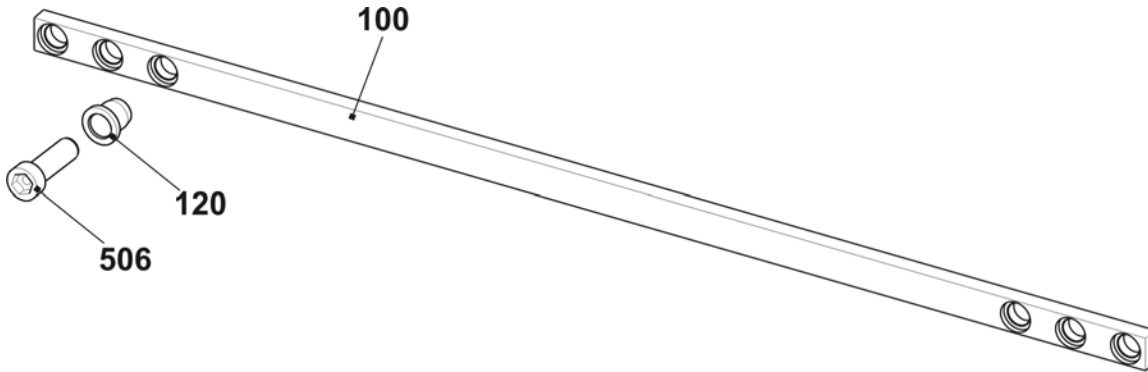
# Carriage

Pos	Designation	ID No.	Pos	Designation	ID No.
$\Sigma$	<b>Carriage assembly 3 cam boxes on the left complete.</b>	<b>251 367</b>	9	Bush	209 275
	<b>Carriage assembly 3 cam boxes on the right complete</b>	<b>251 368</b>	10	Bush	209 274
1	Carriage frame, 3 cam boxes	240 660	11	Eccentric	222 983
2	Carriage part, 3 cam boxes	240 695	13	Fixing bolt linking spot	244 179
3	Carriage cover at the top, 3 cam boxes	251 194	500	Cap screw M8X30	020 143
4	Shim	225 312	504	Circlip 6	021 022
5	Shoulder screw	211 750	514	Setting pin 5x14	020 670
8	Bush	207 546	515	Threaded bushing M12x11.5	041 863



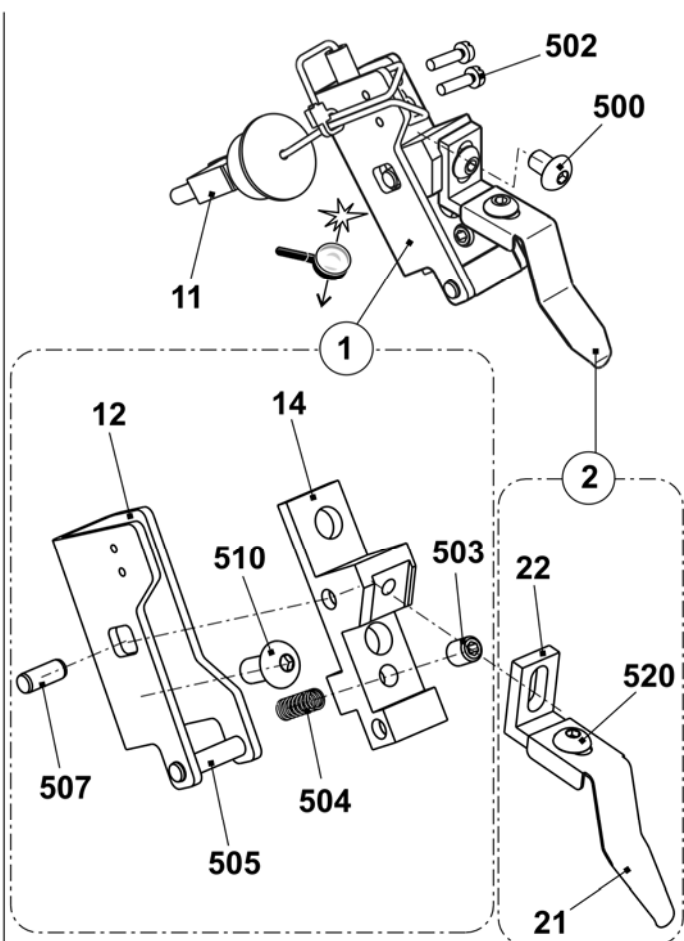
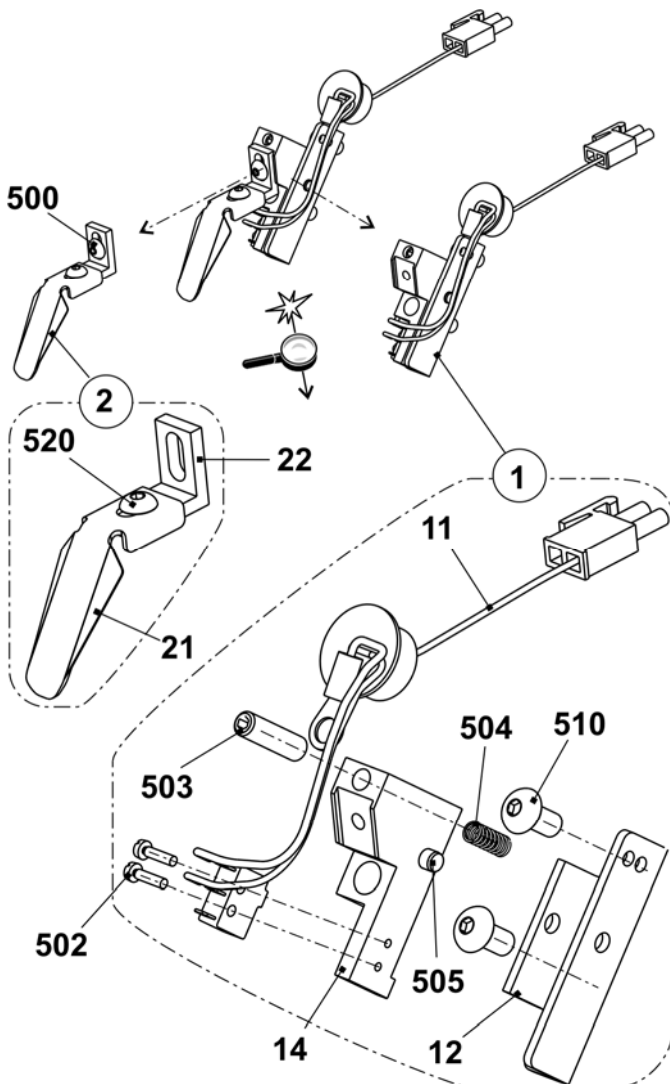
## Carriage coupling

Pos	Designation	ID No.	Pos	Designation	ID No.
100	Connecting rod	225 128	506	Cap screw M16x45	023 366
120	Sleeve	225 600			



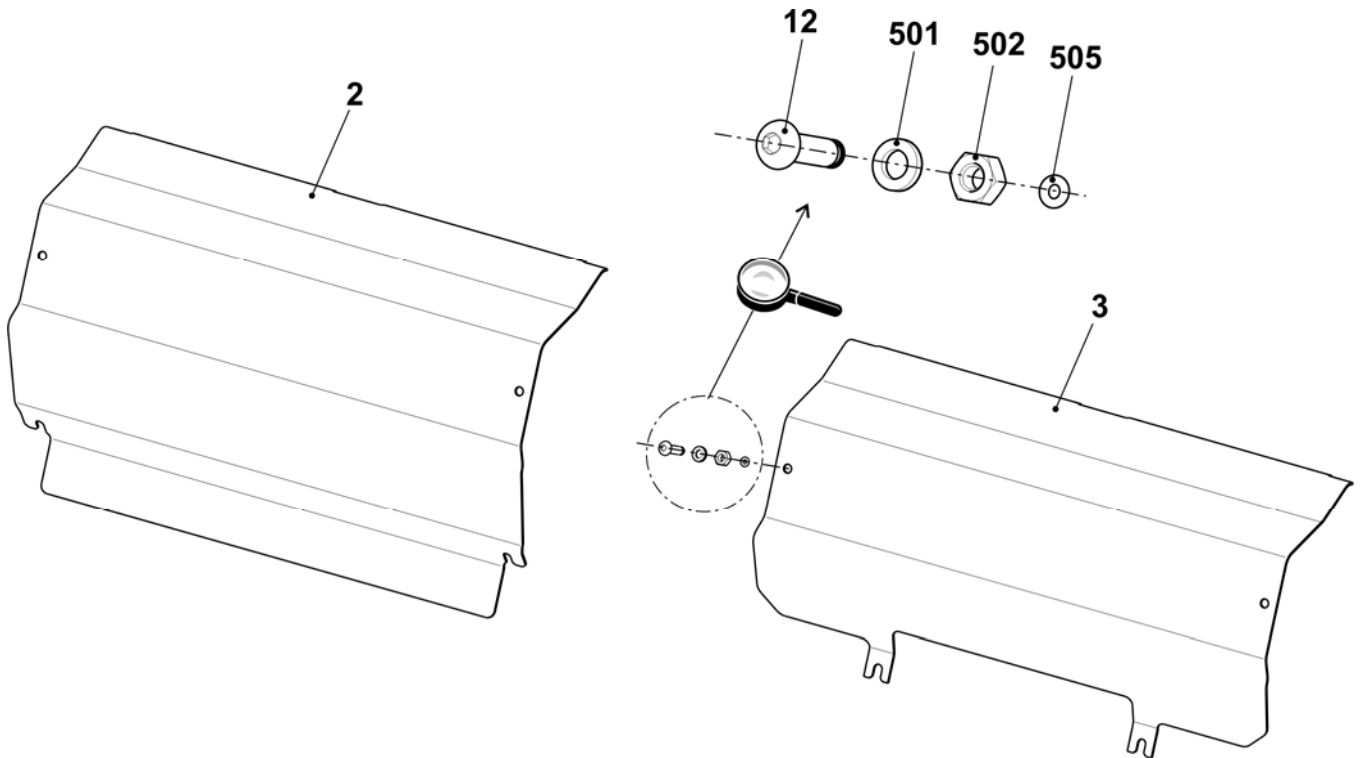
## Needle detector

Pos	Designation	ID No.	Pos	Designation	ID No.
$\Sigma$	<b>Needle detector</b> E5 + E7 + E8 + E10 + E12 + E14 E2.5.2 + E5.2 + E6.2 + E7.2 + E6.2(12m.10) + E5m.4 + E7m.5 + E7m.8 + E8m.7 + E10m.12 + E14/12 + E12m.10	221 238	$\Sigma$	<b>Needle detector E16 + E18</b> E8.2 + E9.2	239 321
1	Needle detector pre-assembled	221 773	1	Needle detector pre-assembled E16-18	238 929
11	Cable of needle detector complete	221 207	11	##NO_MATCH##. E16-18	239 319
12	Retainer	220 464	12	Retainer E16-18	238 824
14	Switch rocker	220 637	14	Switch rocker E16-18	238 823
510	Countersunk screw M5x10	023 247	510	Countersunk screw M5x10	023 247
502	Cap screw M2x8	022 954	502	Cap screw M2x8	022 954
503	Set screw M5x20-45	023 526	503	Set screw M5x8-45H	022 809
504	Compression spring 4.3x0.45x10	021 398	504	Compression spring 4.3x0.45x10	021 398
505	Dowel pin 4x18	023 525	505	Dowel pin 4x20-A-St	239 316
			507	Dowel pin 4x10-A-St	023 753
2	Sensor pre-assembled	221 758	2	Sensor pre-assembled E16-18	239 324
21	Sensor	220 839	21	Sensor E16-20	238 658
22	Angle	221 175	22	Angle	221 175
520	Countersunk screw M4x6	023 427	520	Countersunk screw M4x6	023 427
500	Countersunk screw M4x6	023 427	500	Countersunk screw M4x6	023 427



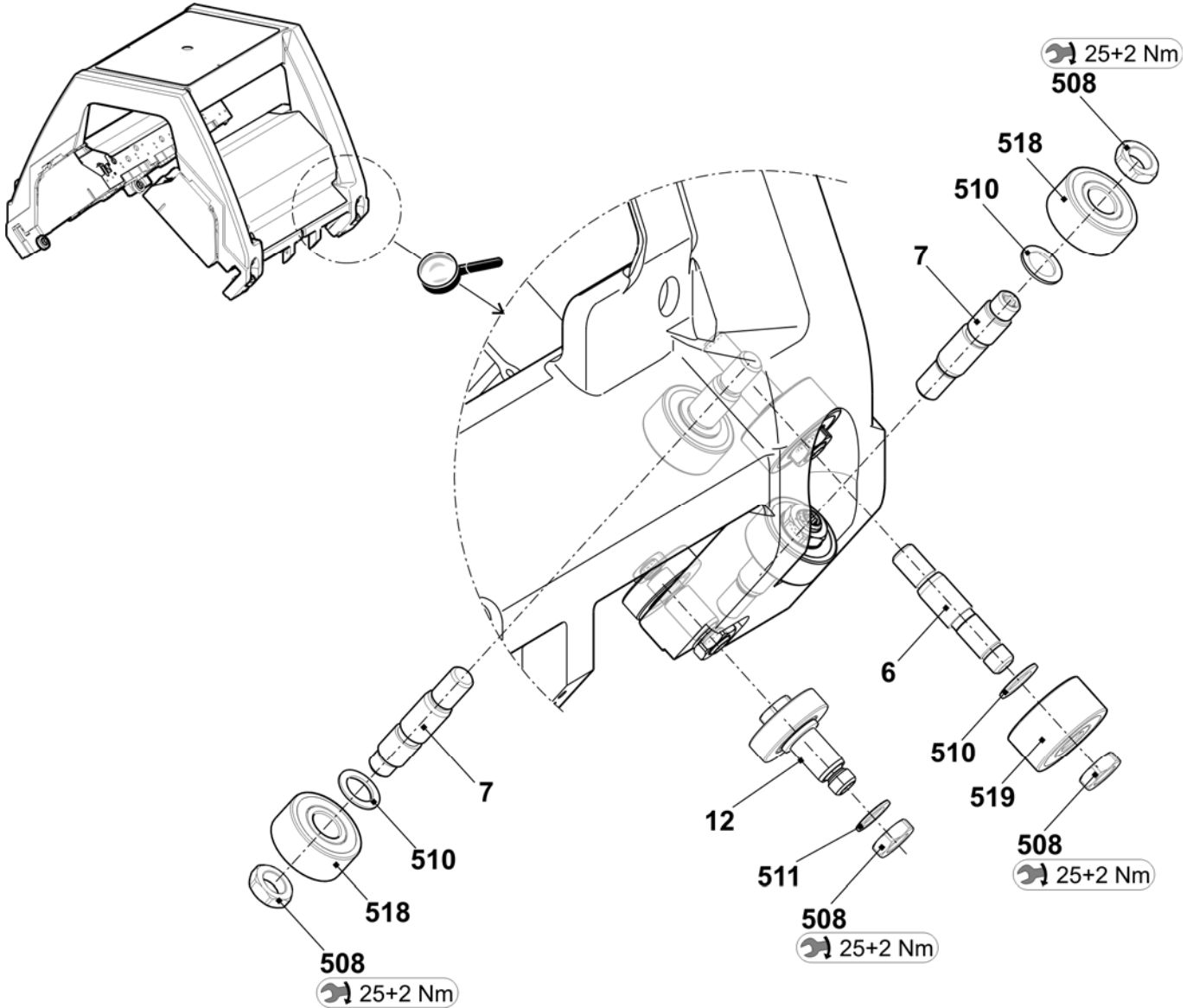
## Carriage cover

Pos	Designation	ID No.	Pos	Designation	ID No.
2	Carriage cover front 3 cam boxes	251 199	501	Serrated lock washer 6,4	022 385
3	Carriage cover at the rear 3 cam boxes	251 200	502	Hexagon nut M6	022 899
12	Fixing bolt	242 382	505	O-ring 3x2	242 420



# Carriage guide

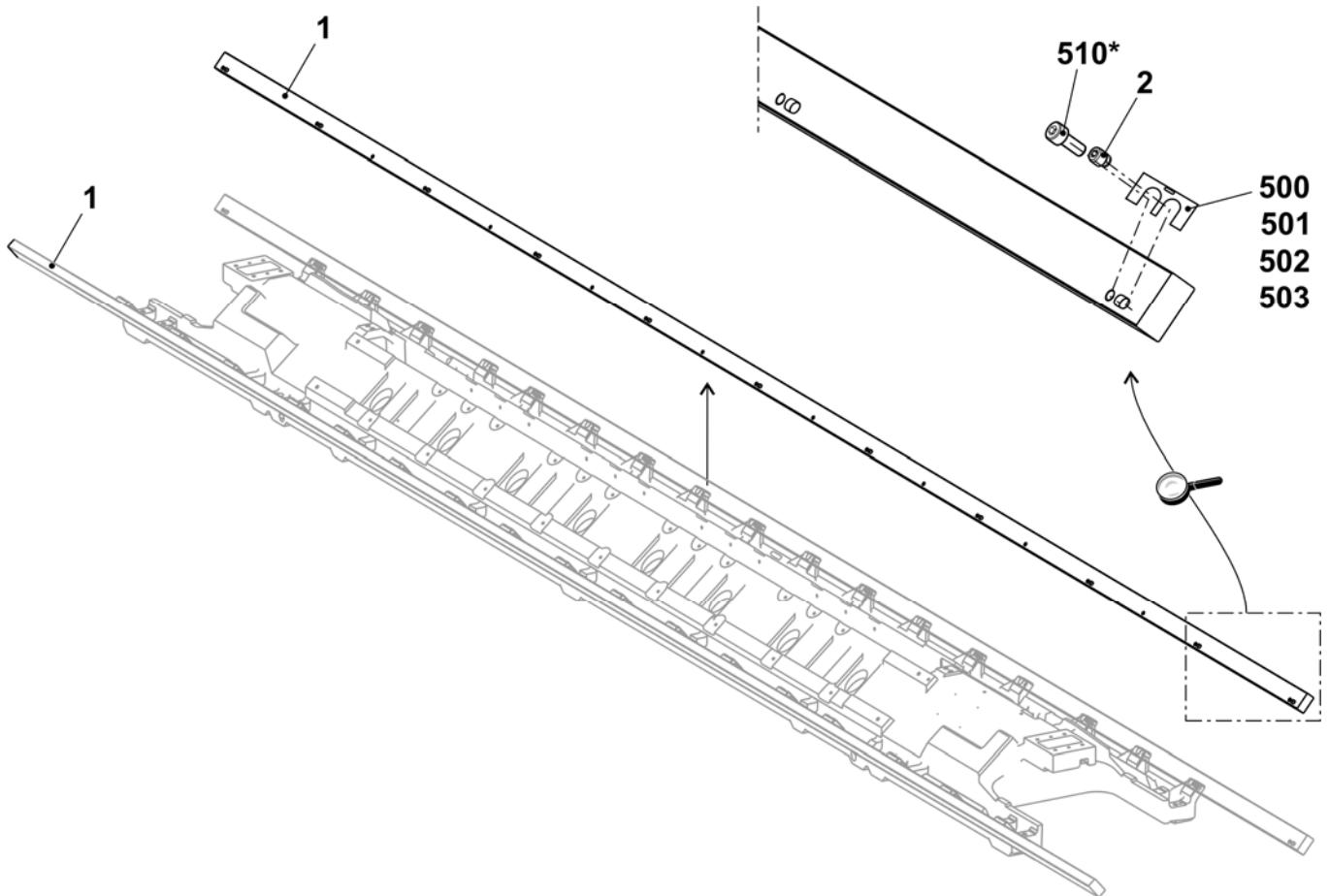
Pos	Designation	ID No.	Pos	Designation	ID No.
6	Bearing bolt eccentric 0.5	242 060	510	Shim ring 12x18x1	023 315
7	Bearing bolt eccentric 0.5	240 624	511	Adjusting washer 10x16x1	023 260
12	Bolt pre-assembled	244 283	518	Grooved ball bearing 62201-2RS	241 408
508	Nut M10	023 316	519	Grooved ball bearing 62300-2RS1	242 070





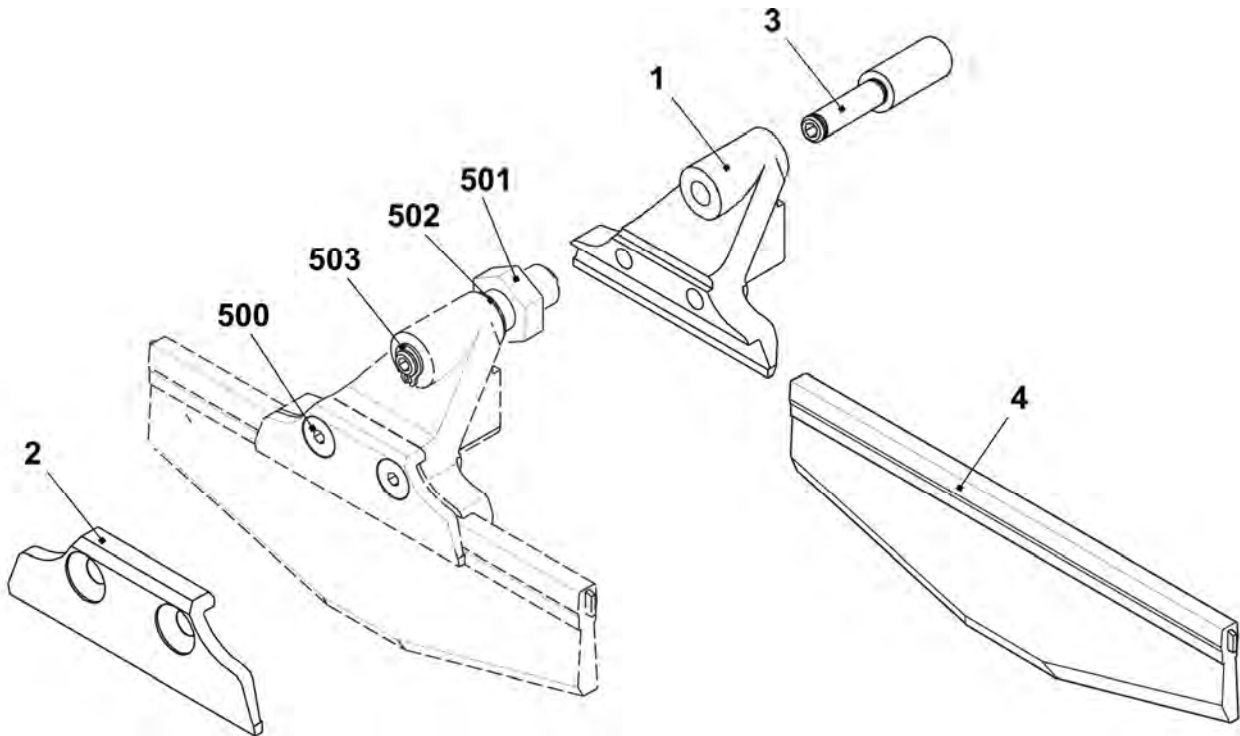
## Spare parts package carriage guide bar

Pos	Designation	ID No.	Pos	Designation	ID No.
$\Sigma$	<b>Spare parts package carriage guide bar 933</b>	<b>252 990</b>	501	Shim 0.05x22x42	243 291
1	Carriage guide rail	242 051	502	Shim 0.10x22x42	243 292
2	Adjusting eccentric	241 219	503	Shim 0.20x22x42	243 293
500	Shim 0.03x22x42	243 289	510*	Cap screw M8X20	020 141



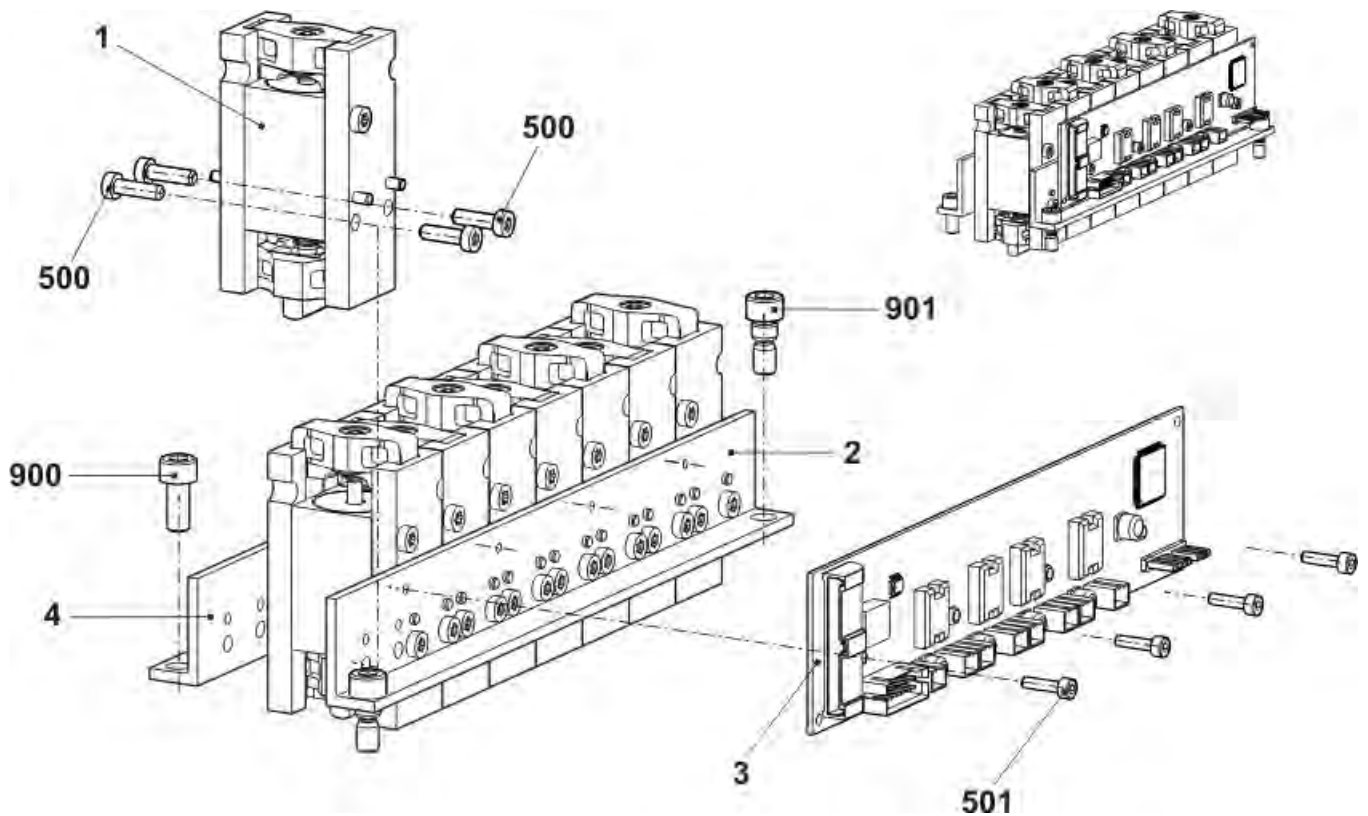
## Brush holder

Pos	Designation	ID No.	Pos	Designation	ID No.
<b>Σ</b>	<b>Brush holder complete</b>		4	Brush	
	<b>E5 - E8 + E3,5.2 + E5.2 + E6.2</b>	<b>213 710</b>		E5 - E8 + E3,5.2 + E5.2 + E6.2	203 254
	<b>E5m.4 + E7m.5 + E7m.8 + E8m.7</b>			E5m.4 + E7m.5 + E7m.8 + E8m.7	
	<b>E10 - E14 + E7.2</b>	<b>213 711</b>		E10 - E14 + E7.2	212 854
	<b>E10m.12 + E12m.10</b>		E10m.12 + E12m.10		
	<b>E16 + E18 + E8.2 + E9.2</b>	<b>223 185</b>	E16 + E18 + E8.2 + E9.2	224 822	
1	Brush holder	213 009	500	Countersunk head screw M4x12	023 062
2	Brush clamp	213 010	501	Hexagon nut M8x5	023 750
3	Threaded rod	209 740	502	Adjusting washer 5x10x0.5	023 348
			503	Locking ring 5x0.6	023 347



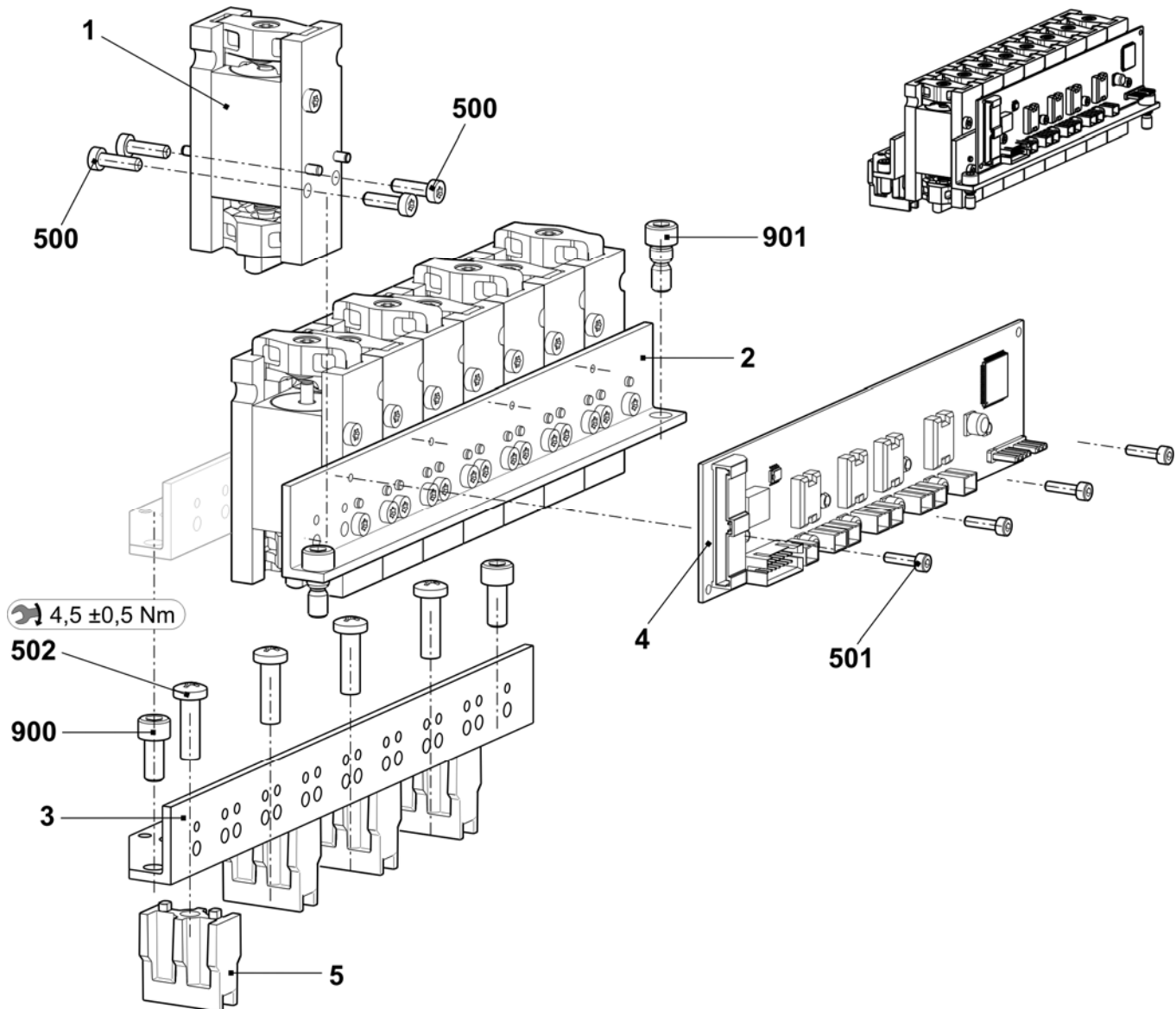
## Yarn carrier driving without guiding part

Pos	Designation	ID	Pos	Designation	ID
<b>Σ</b>	<b>YC driving outside complete</b>	<b>241 080</b>			
1	Yarn carrier plunger complete	242 214	500	Cap screw M4x14-I-Torx	242 279
2	Support angle for jack	241 038	501	Cap screw M3x12-12.9	022 648
3	Card yarn carrier final stages OKC	300 960	900	Cap screw M6X14	022 658
4	Support angle for YC driving	242 903	901	Shoulder screw	231 899



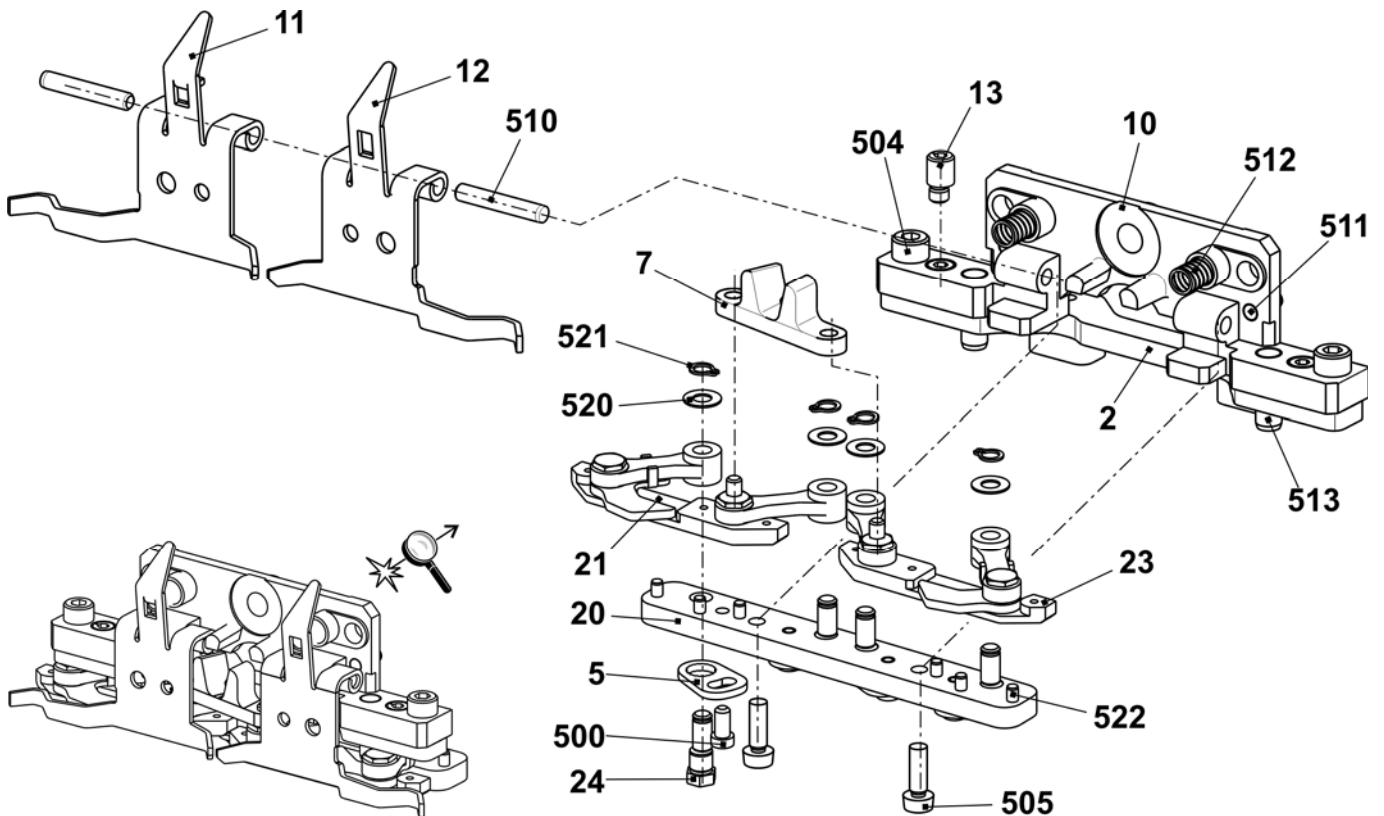
## Yarn carrier driving with guiding part

Pos	Designation	ID	Pos	Designation	ID
$\Sigma$	<b>YC driving in the middle complete</b>	<b>241 081</b>	500	Cap screw M4x14-I-Torx	242 279
1	Yarn carrier plunger complete	242 214	501	Cap screw M3x12-12.9	022 648
2	Support angle for jack	241 038	502	Screw KB 60x20	243 625
3	Support angle for YC driving	241 044	900	Cap screw M6X14	022 658
4	Card yarn carrier final stages OKC	300 960	901	Shoulder screw	231 899
5	Guiding part	239 972			



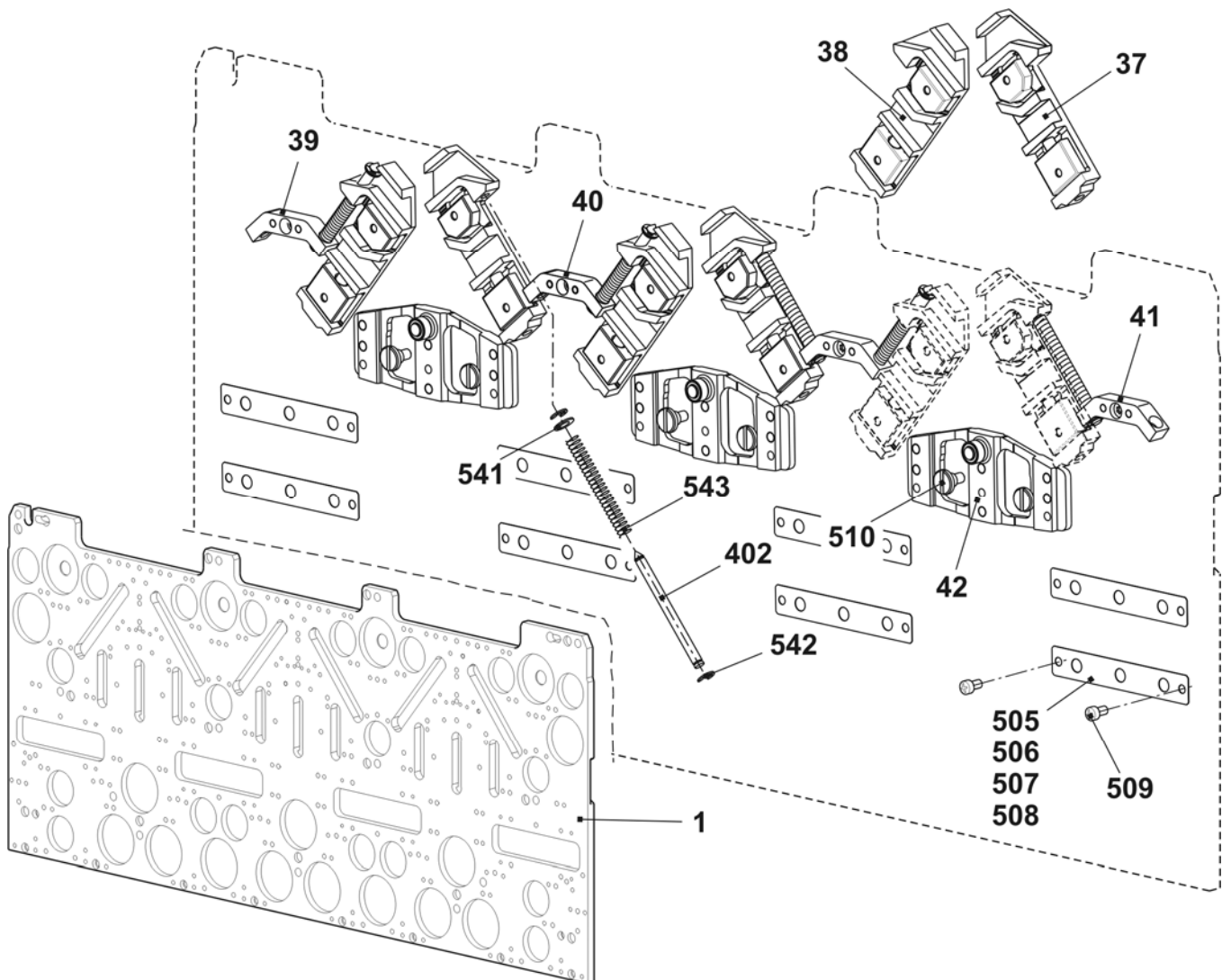
## Holding-down jack control

Pos	Designation	ID No.	Pos	Designation	ID No.
<b>Σ</b>	<b>Holding-down jack control complete</b>		23	Slider on the left complete	
	<b>E5 + E7 + E8 + E3,5.2 + E5.2 + E7m.8 + E8m.7 + E5m.4 + E7m.5</b>	<b>241 515</b>		E5 + E7 + E8 + E3,5.2 + E5.2 + E7m.8 + E8m.7 + E5m.4 + E7m.5	212 611
	<b>E10 + E10m.12</b>	<b>241 516</b>		E10 + E10m.12	213 053
	<b>E12 + E14 + E6.2 + E7.2 + E.2(12m.10)</b>	<b>241 517</b>		E12 + E14 + E6.2 + E7.2 + E.2(12m.10)	213 056
	<b>E16 + E8.2</b>	<b>250 250</b>		E16 + E8.2	250 139
2	Connection plate	241 326	24	Bolt	209 722
5	Adjusting plate	211 507	500	Countersunk screw M4x8	023 579
7	Plunger	210 559	504	Cap screw M5x12	020 132
10	Assembly plate	241 281	505	Cap screw M4x12-5.8	241 859
11	Set-out plate on the right	212 382	510	Setting pin 4x24	020 664
12	Set-out plate on the left	212 396	511	Setting pin 4x10	020 657
13	Eccentric	251 152	512	Compression spring 0.68x5.10x19.00	238 702
20	Holding-down cam plate	241 349	513	Dowel pin 6x18	020 678
21	Slider on the right complete		520	Adjusting washer 5x10x0.5	023 348
	<b>E5 + E7 + E8 + E3,5.2 + E5.2 + E7m.8 + E8m.7 + E5m.4 + E7m.5</b>	212 610	521	Locking ring 5x0.6	023 347
	<b>E10 + E10m.12</b>	212 943	522	Setting pin 3x10	020 645
	<b>E12 + E14 + E6.2 + E7.2 + E.2(12m.10)</b>	213 055			
	<b>E16 + E8.2</b>	250 140			



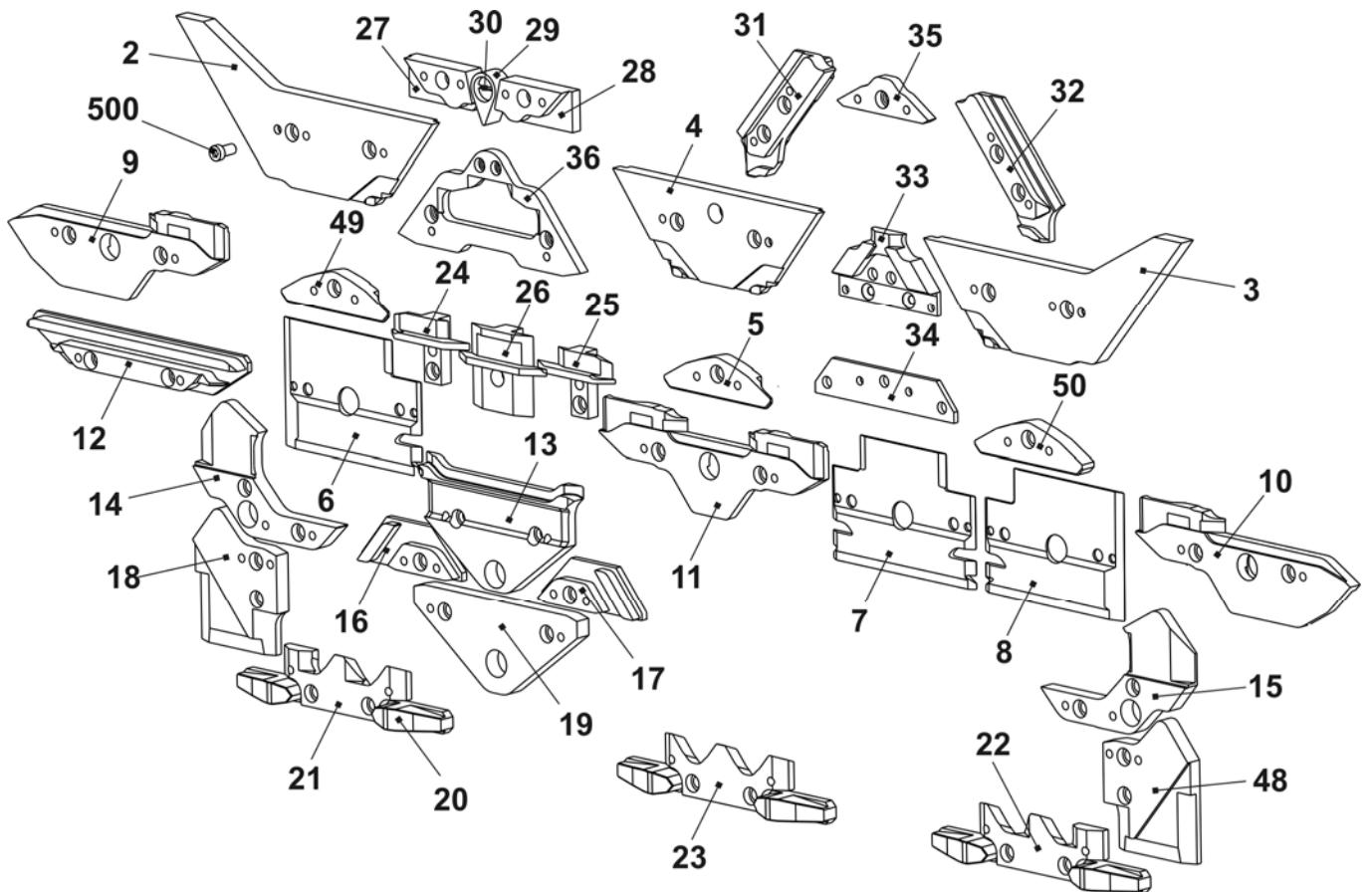
**Cam box E5 + E3,5.2 + E5.2 + E5m.4 + E7m.5**

Pos	Designation	ID No.	Pos	Designation	ID No.
<b>Σ</b>	<b>Cam box set complete E5</b>	<b>244 467</b>	42	Switching piece	240 281
1	Cam plate	240 371	505	Shim 0.03x12x75	022 828
37	Stitch forming cam on the right complete E5 - E10	211 163	506	Shim 0.05x12x75	022 829
38	Stitch forming cam on the left complete E5 - E10	211 164	507	Shim 0.1x12x75	022 830
39	Rod guide element on the left	211 165	508	Shim 0.2x12x75	022 831
40	Rod guide element in the middle	211 166	509	Countersunk screw M3x4	023 142
41	Rod guide element on the right	211 168	510	Shoulder screw	239 626
402	Spring rod	209 791	Parts at the bottom of the cam box		
541	Washer 4.3x7x0.5	022 153	<b>Cam box set complete</b> contains all parts for <b>both</b> carriage sides		
542	Circlip 3.2Circlip 3.2	021 019			
543	Spring	023 344			



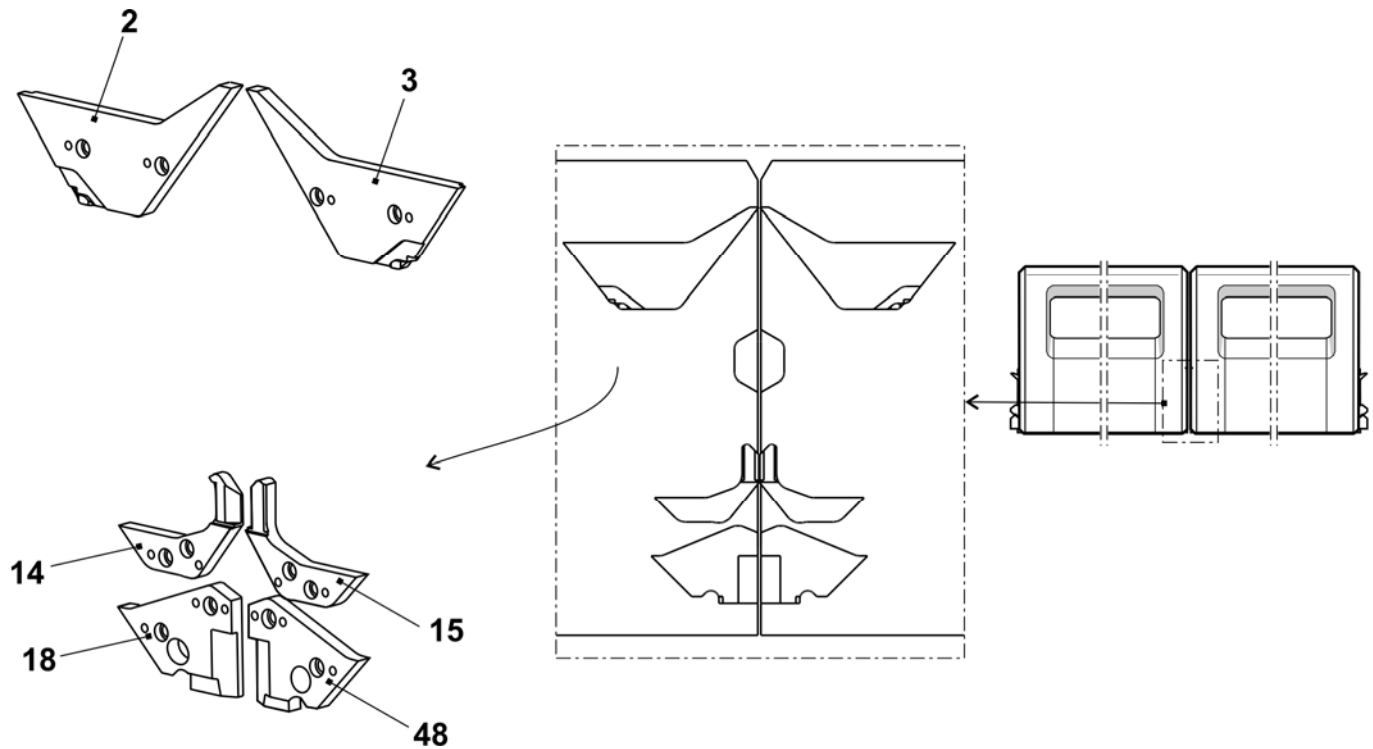
## Cams E5 + E2,5.2 + E3,5.2 + E5.2 + E5m.4 + E7m.5

Pos	Designation	ID	Pos	Designation	ID
2	Entry cam on the left	213 304	22	Selector cam on the right	212 947
3	Entry cam on the right	213 303	23	Selector cam	212 946
4	Entry cam at the top	210 285	24	Pressure part take-over on the left	239 848
5	Entry cam in the middle at the bottom E2,5.2 + E3,5.2	235 719	25	Pressure part take-over on the right	239 849
6	Plate on the left	230 988	26	Tuck pressure part	239 621
7	Plate in the middle	231 035	27	Limit cam on the left E5	210 289
8	Plate on the right	231 036	28	Limit cam on the right E5	210 290
9	Cam on the left	231 039	29	Pointer E2,5.2 + E3,5.2	229 505
10	Cam on the right	231 041	30	Screw	210 335
11	Cam in the middle	231 040	31	Stitch cam on the left E2,5.2 + E3,5.2	235 712
12	Cam	227 923	32	Stitch cam on the right E2,5.2 + E3,5.2	235 713
13	Cam	210 254	33	Tuck limit cam E5	253 517
14	Cam on the left E5-14	212 265	34	Raising cam plate E4-12	204 372
15	Cam on the right E5-14	212 266	35	Receiving cam E5	210 386
16	Cam on the left	236 192	36	Raising cam without split E5 Knitting raising cam with split E5	253 516 255 174
17	Cam on the right	236 193		Accessories	
18	Cam on the left E5-14	212 274	48	Cam on the right E5-14	212 275
19	Cam	210 252	49	Entry cam on the left bottom E5-8	235 718
20	Offering cam	210 185	50	Entry cam on the right at the bottom E5-8	235 720
21	Selector cam on the left	212 944	500	Cap screw M4x8	020 091



**Cams for narrow coupling E5 + E7-8 + E5m.4 + 7m.5 + E7m.8 + E8m.7**

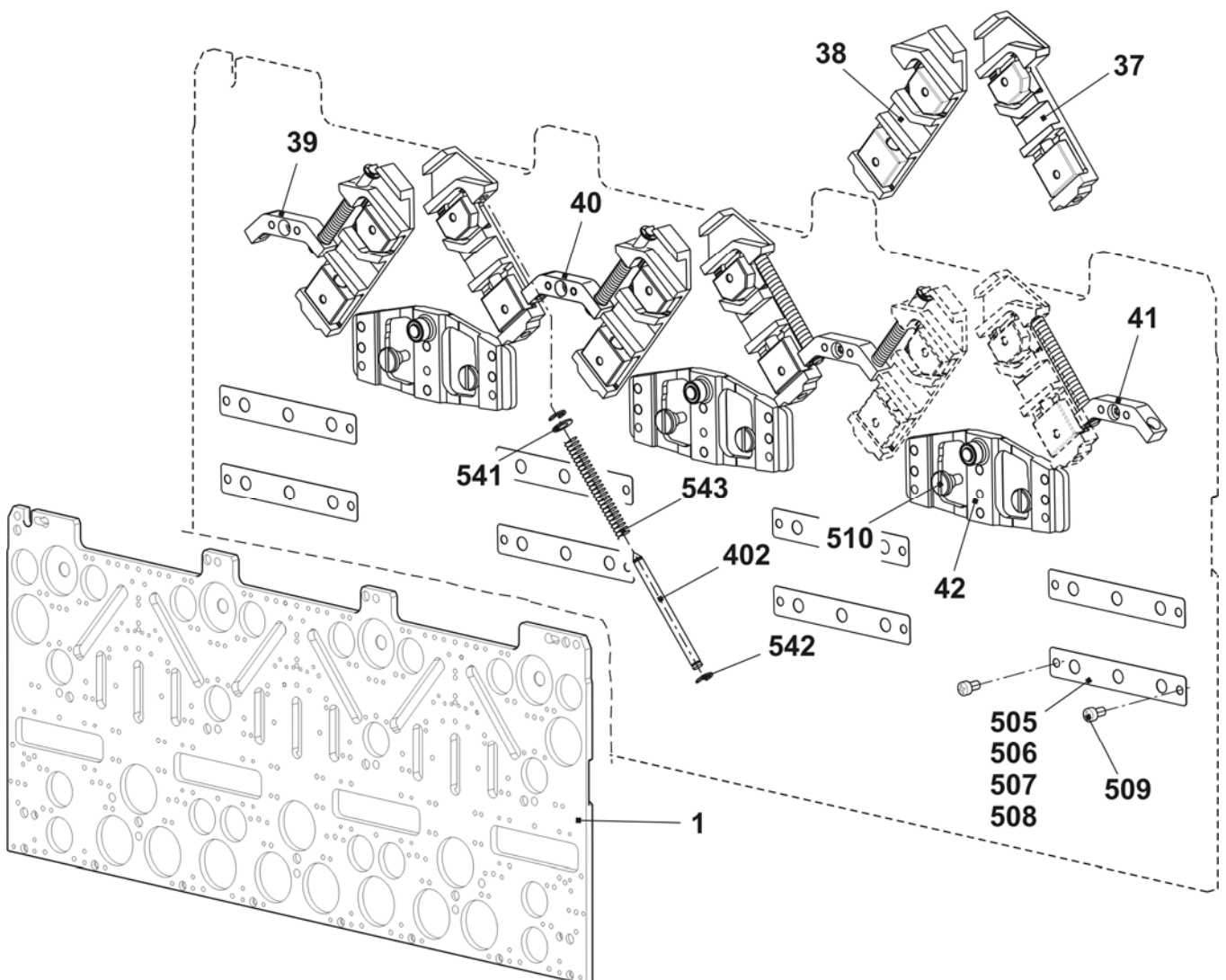
Pos	Designation	ID No.	Pos	Designation	ID No.
2	Entry cam on the right E5-14	216 220	3	Entry cam on the left E5-14	216 221
14	Cam on the right E5-14	216 168	15	Cam on the left E5-14	216 167
18	Cam on the right	216 166	48	Cam on the left	216 165





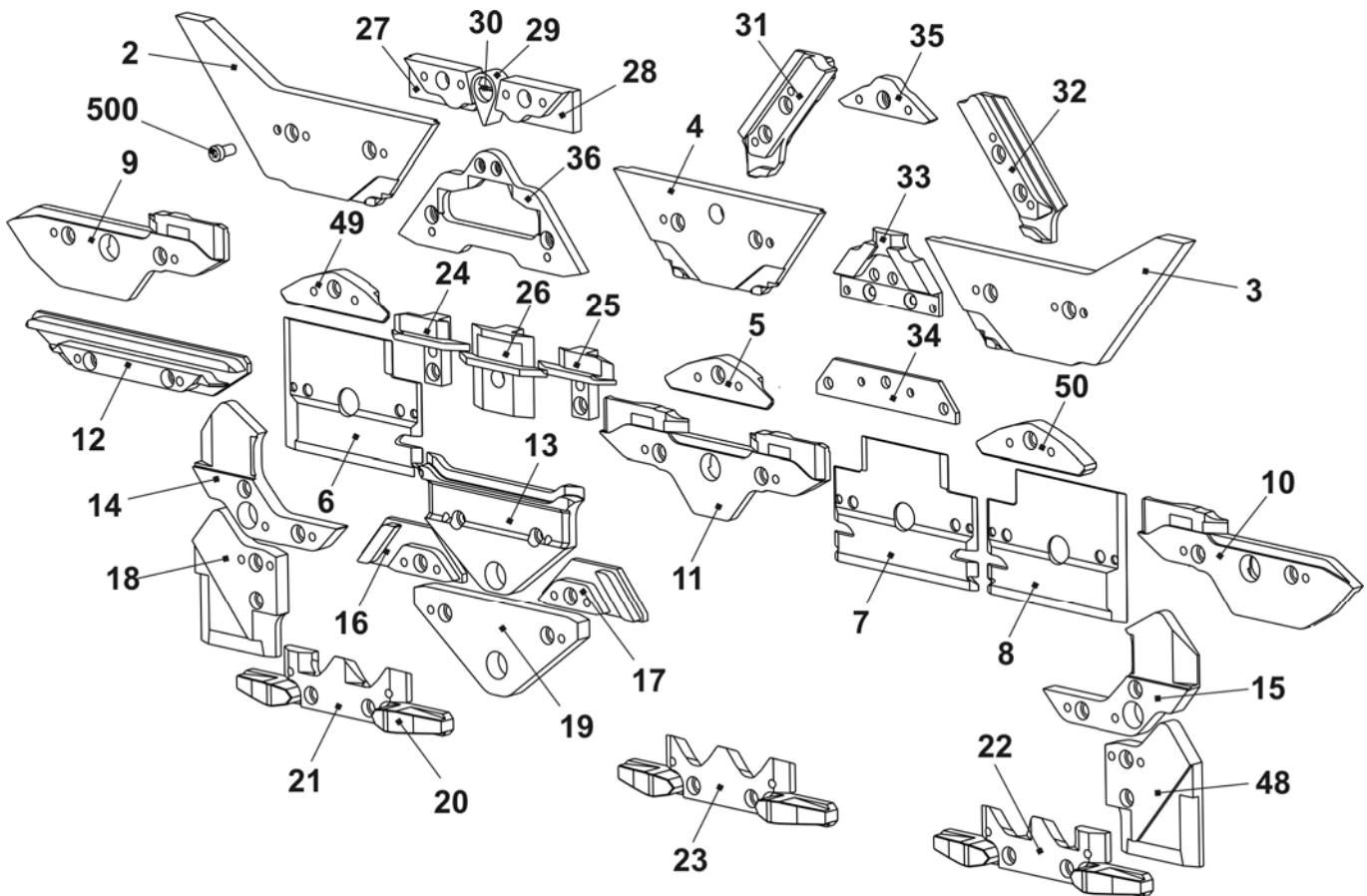
## Cam box E7 + E8 + E7m.8 + E8m.7

Pos	Designation	ID No.	Pos	Designation	ID No.
<b>Σ</b>	<b>Cam box set complete E7 - E8</b>	<b>243 883</b>	42	Switching piece	240 281
1	Cam plate	240 371	505	Shim 0.03x12x75	022 828
37	Stitch forming cam on the right complete E5-10	211 163	506	Shim 0.05x12x75	022 829
38	Stitch forming cam on the left complete E5-10	211 164	507	Shim 0.1x12x75	022 830
39	Rod guide element on the left	211 165	508	Shim 0.2x12x75	022 831
40	Rod guide element in the middle	211 166	509	Countersunk screw M3x4	023 142
41	Rod guide element on the right	211 168	510	Shoulder screw	239 626
402	Spring rod	209 791	<b>Cam box set complete</b> contains all parts for <b>both</b> carriage sides		
541	Washer 4.3x7x0.5	022 153			
542	Circlip 3.2	021 019			
543	Spring	023 344			



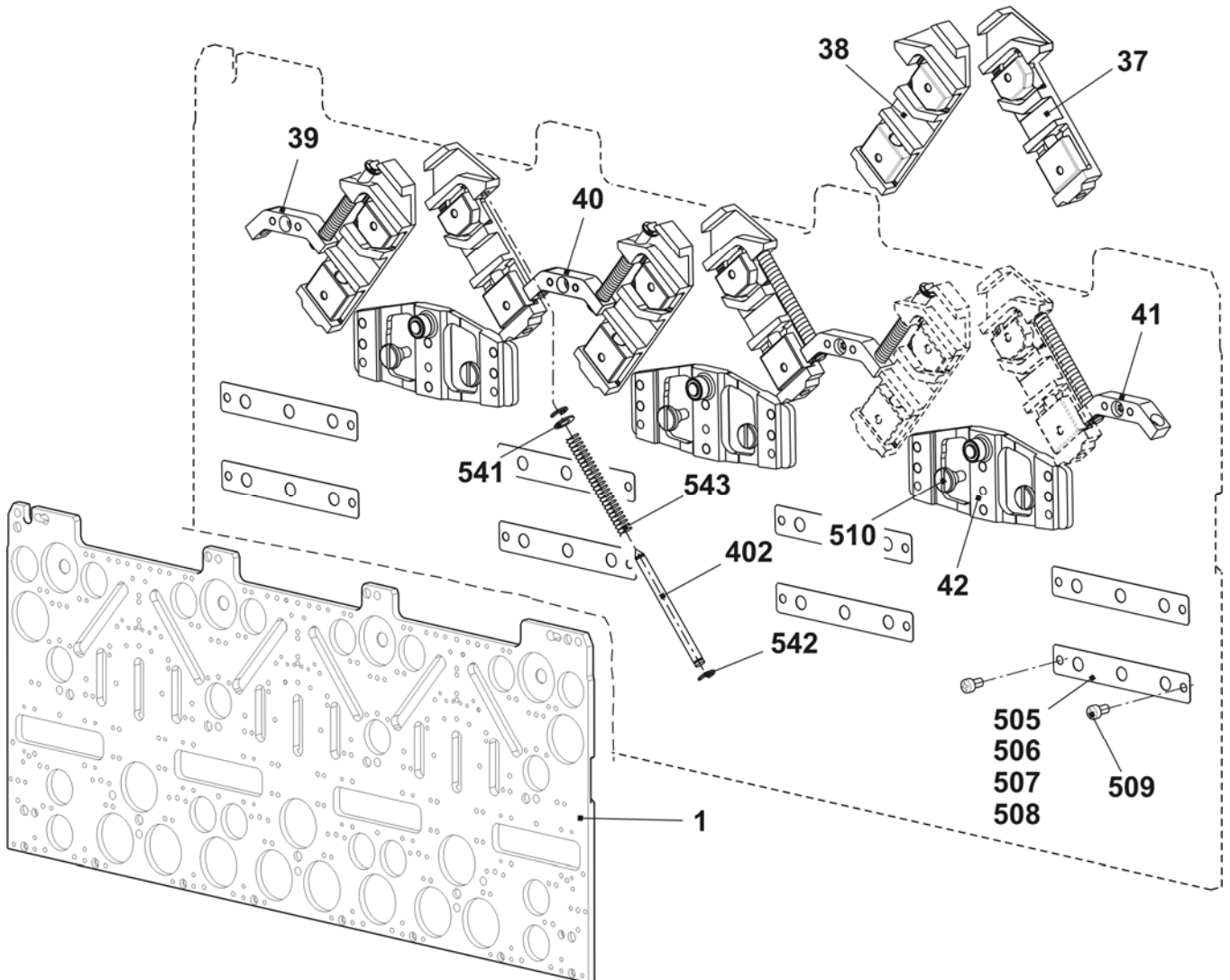
**Cams E7 + E8 + E7m.8 + E8m.7**

Pos	Designation	ID	Pos	Designation	ID
2	Entry cam on the left	213 304	23	Selector cam	212 946
3	Entry cam on the right	213 303	24	Pressure part take-over on the left	239 848
4	Entry cam at the top	210 285	25	Pressure part take-over on the right	239 849
5	Entry cam at the bottom E5-8	212 395	26	Tuck pressure part	239 621
6	Plate on the left	230 988	27	Limit cam on the left E7-8	210 291
7	Plate in the middle	231 035	28	Limit cam on the right E7-8	210 292
8	Plate on the right	231 036	29	Pointer E5-8	210 336
9	Cam on the left	231 039	30	Screw	210 335
10	Cam on the right	231 041	31	Stitch cam on the left E7-8	210 324
11	Cam in the middle	231 040	32	Stitch cam on the right E7-8	210 323
12	Cam	227 923	33	Tuck limit cam E7-8	255 056
13	Cam	210 254	34	Raising cam plate E4-12	204 372
14	Cam on the left E5-14	212 265	35	Receiving cam E7-8	210 339
15	Cam on the right E5-14	212 266	36	Raising cam part without split E7-8	255 055
16	Cam on the left	236 192		Raising cam with split E7-8	255 192
17	Cam on the right	236 193		Accessories	
18	Cam on the left E5-14	212 274	48	Cam on the right E5-14	212 275
19	Cam	210 252	49	Entry cam on the left E5-8	213 161
20	Offering cam	210 185	50	Entry cam on the right E5-8	213 162
21	Selector cam on the left	212 944	500	Cap screw M4x8	020 091
22	Selector cam on the right	212 947			



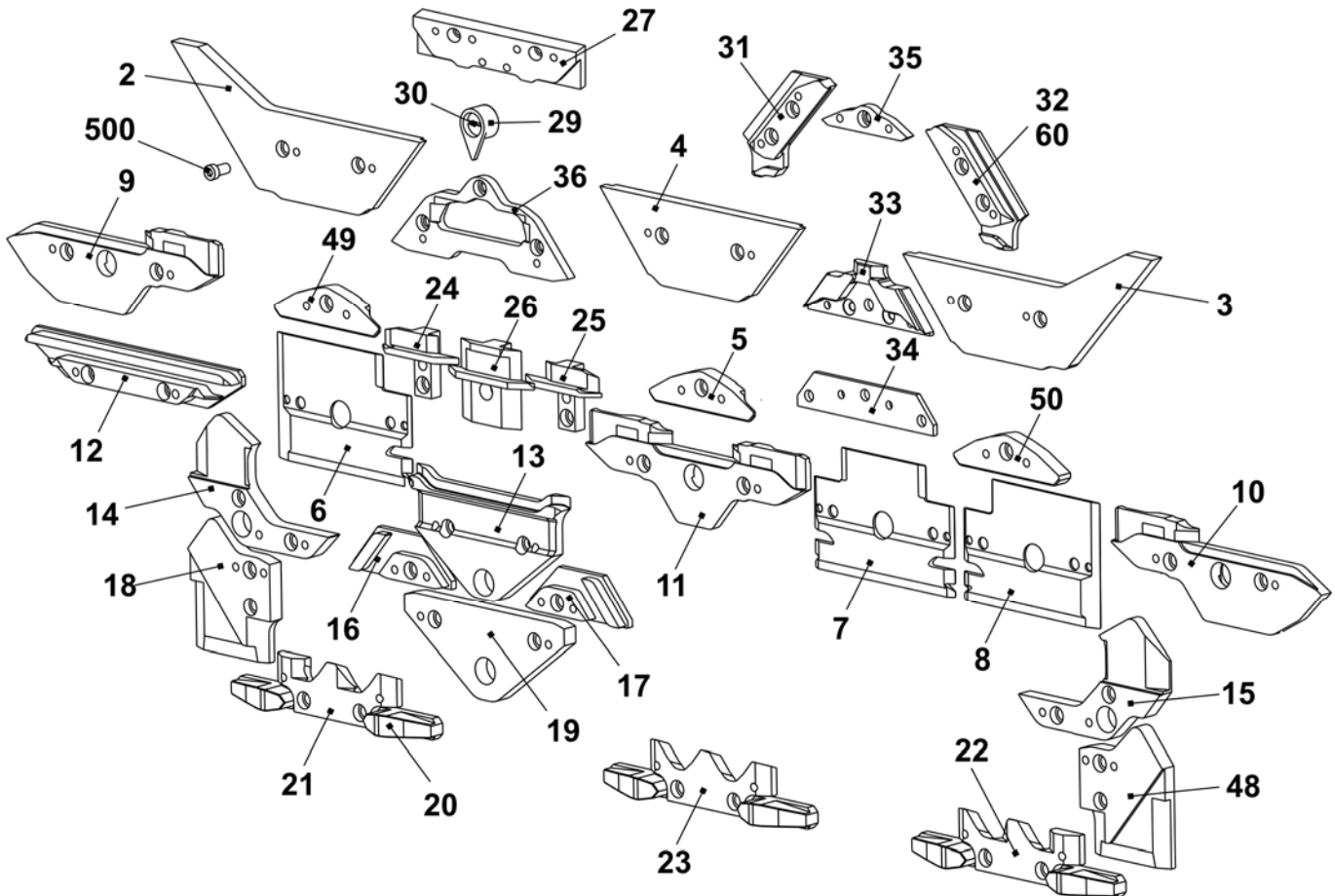
## Cam box E10

Pos	Designation	ID No.	Pos	Designation	ID No.
<b>Σ</b>	<b>Cam box set at the left complete E10</b>	<b>244 742</b>	<b>Σ</b>	<b>Cam box set at the right complete E10</b>	<b>244 743</b>
1	Cam plate	240 371	42	Switching piece	240 281
37	Stitch forming cam on the right complete E5-10	211 163	505	Shim 0.03x12x75	022 828
38	Stitch forming cam on the left complete E5-10	211 164	506	Shim 0.05x12x75	022 829
39	Rod guide element on the left	211 165	507	Shim 0.1x12x75	022 830
40	Rod guide element in the middle	211 166	508	Shim 0.2x12x75	022 831
41	Rod guide element on the right	211 168	509	Countersunk screw M3x4	023 142
402	Spring rod	209 791	510	Shoulder screw	239 626
541	Washer 4.3x7x0.5	022 153	<b>Cam box set complete</b> contains all parts for <b>both</b> carriage sides		
542	Circlip 3.2Circlip 3.2	021 019			
543	Spring	023 344			



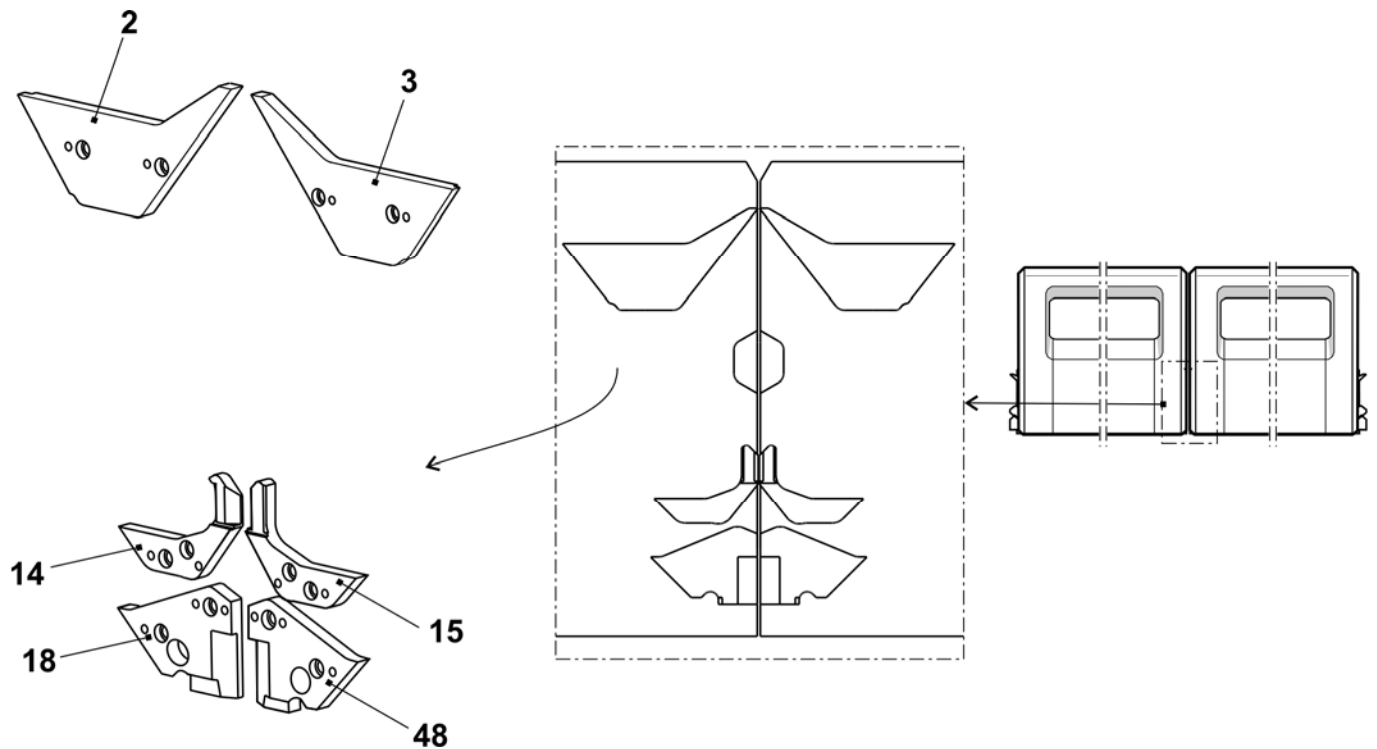
**Cams E10**

Pos	Designation	ID	Pos	Designation	ID
2	Entry cam on the left	243 595	23	Selector cam	212 946
3	Entry cam on the right	243 597	24	Pressure part take-over on the left	239 848
4	Entry cam in the middle	243 596	25	Pressure part take-over on the right	239 849
5	Entry cam at the bottom - 1.5 E10 - E14	216 328	26	Tuck pressure part	239 621
6	Plate on the left	230 988	27	Limit cam E10	210 611
7	Plate in the middle	231 035	29	Pointer E10 – E14	210 349
8	Plate on the right	231 036	30	Screw	210 335
9	Cam on the left	231 039	31	Stitch cam on the left E10 - E14 + E7.2	236 318
10	Cam on the right	231 041	32	Stitch cam on the right E10-E14 + E7.2 (at the front)	236 319
11	Cam in the middle	231 040	33	Tuck limit cam E10 + E7.2	236 345
12	Cam	227 923	34	Raising cam plate E4-12	204 372
13	Cam	210 254	35	Receiving cam E10 - E12	210 595
14	Cam on the left E5-14	212 265	36	Raising cam without split E10 – E12 + E7.2	237 993
15	Cam on the right E5-14	212 266		Raising cam with split E10 – E12 + E7.2 Accessories	213 300
16	Cam on the left	236 192	48	Cam on the right E5-14	212 275
17	Cam on the right	236 193	49	Entry cam on the left -1.5 E10 - E14	216 329
18	Cam on the left E5-14	212 274	50	Entry cam on the right -1.5 E10 - E14	216 330
19	Cam	210 252	500	Cap screw M4x8	020 091
20	Offering cam	210 185	60	Stitch cam at the rear on the right E10 - E12	236 320
21	Selector cam on the left	212 944			
22	Selector cam on the right	212 947			



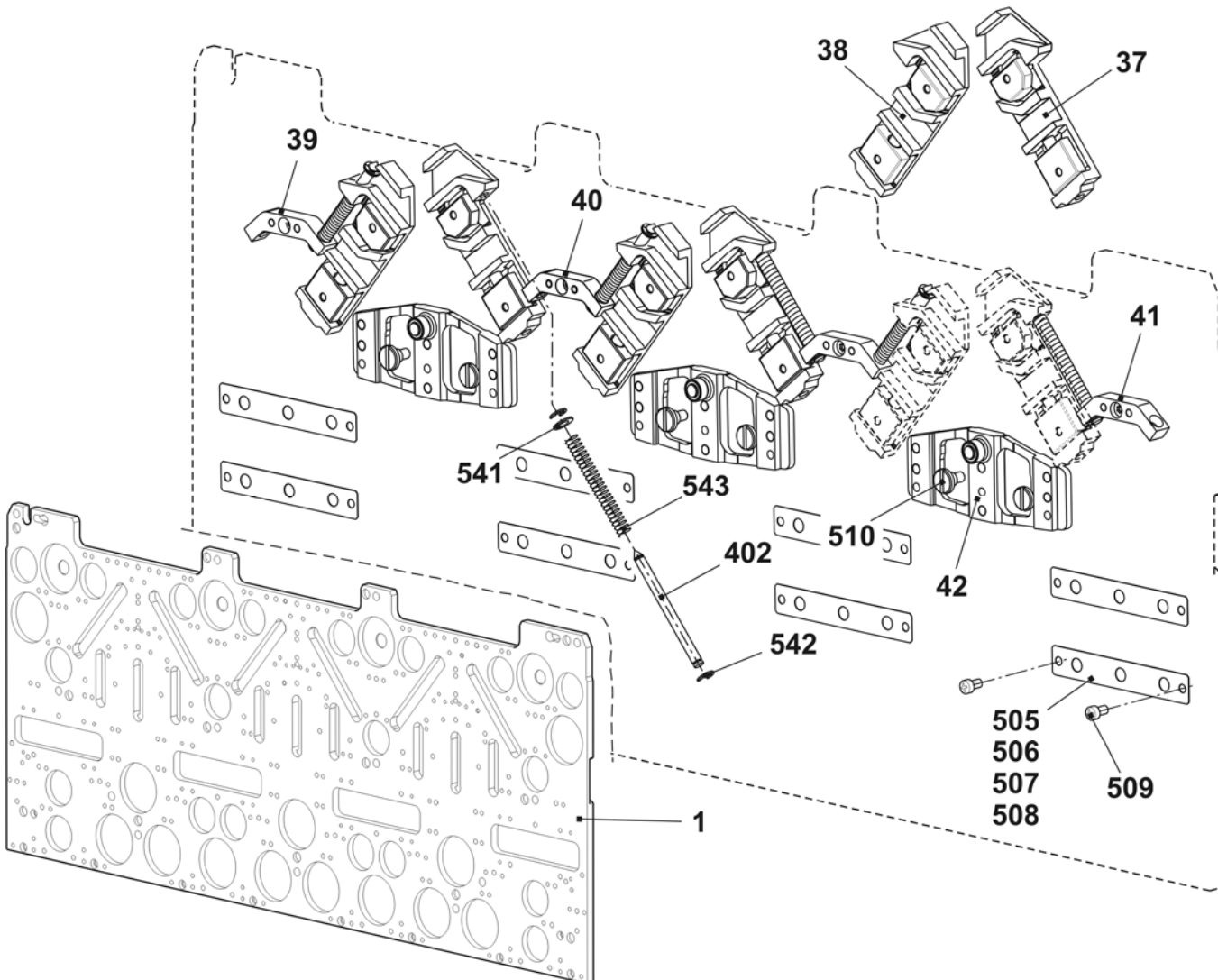
## Cams for narrow coupling E10-14 + E10m.12 + E12m.10 + E6.2 + E7.2

Pos	Designation	ID No.	Pos	Designation	ID No.
2	Entry cam on the right	243 858	3	Entry cam on the left	243 857
14	Cam on the right E5-14	216 168	15	Cam on the left E5-14	216 167
18	Cam on the right	216 166	48	Cam on the left	216 165



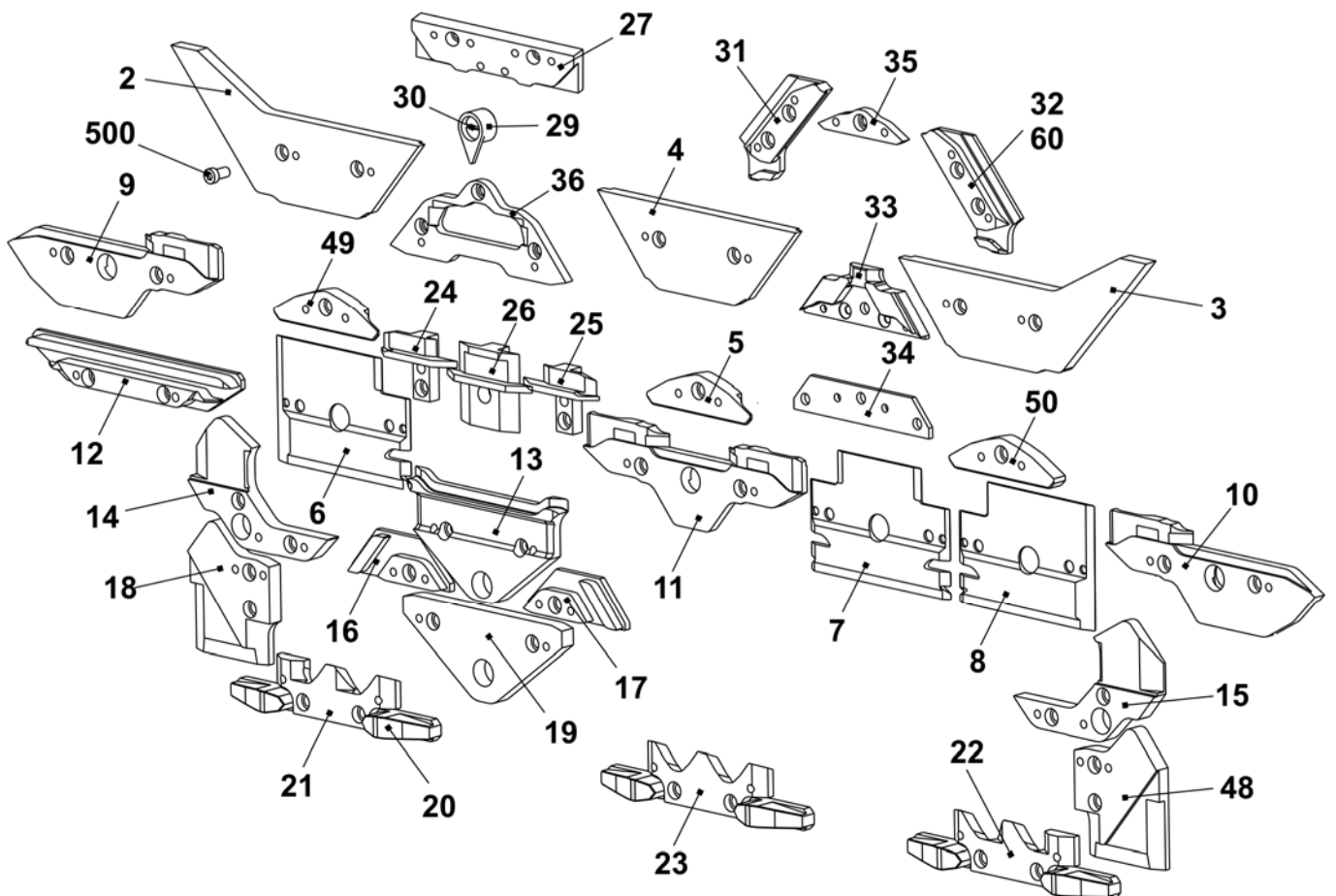
## Cam box E12

Pos	Designation	ID No.	Pos	Designation	ID No.
$\Sigma$	<b>Cam box set at the left complete E12</b>	<b>243 906</b>	$\Sigma$	<b>Cam box set at the right complete E12</b>	<b>243 907</b>
1	Cam plate	240 371	42	Switching piece	240 281
37	Stitch forming cam on the right complete E12 – E14	214 088	505	Shim 0.03x12x75	022 828
38	Stitch forming cam on the left complete E12 – E14	214 089	506	Shim 0.05x12x75	022 829
39	Rod guide element on the left	211 165	507	Shim 0.1x12x75	022 830
40	Rod guide element in the middle	211 166	508	Shim 0.2x12x75	022 831
41	Rod guide element on the right	211 168	509	Countersunk screw M3x4	023 142
402	Spring rod	209 791	510	Shoulder screw	239 626
541	Washer 4.3x7x0.5	022 153	<b>Cam box set complete</b> contains all parts for <b>both</b> carriage sides		
542	Circlip 3.2Circlip 3.2	021 019			
543	Spring	023 344			



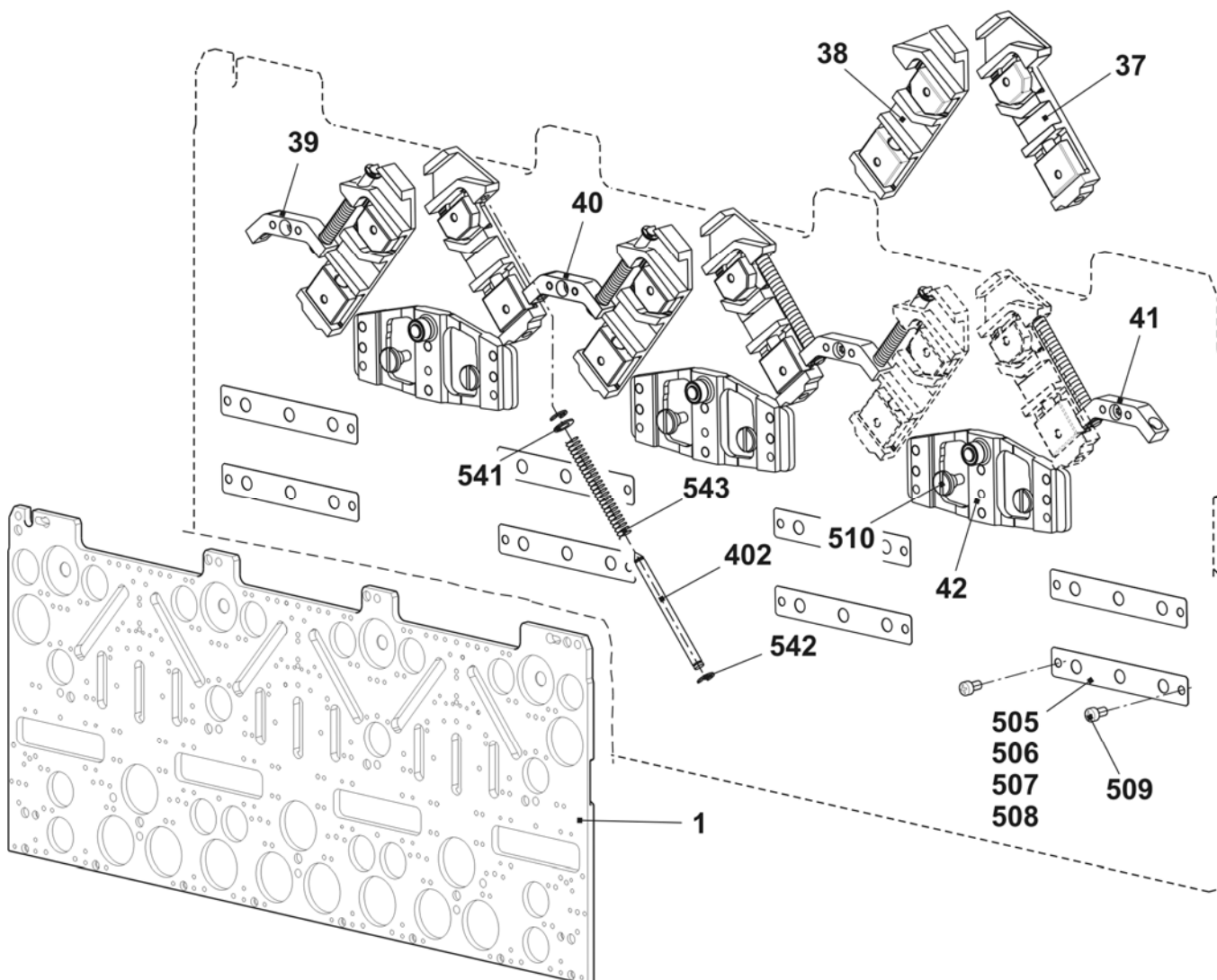
## Cams E12

Pos	Designation	ID	Pos	Designation	ID
2	Entry cam on the left	243 595	23	Selector cam	212 946
3	Entry cam on the right	243 597	24	Pressure part take-over on the left	239 848
4	Entry cam in the middle	243 596	25	Pressure part take-over on the right	239 849
5	Entry cam at the bottom - 1.5 E10 - E14	216 328	26	Tuck pressure part	239 621
6	Plate on the left	230 988	27	Limit cam E12 – E14	210 612
7	Plate in the middle	231 035	29	Pointer E10 – E14	210 349
8	Plate on the right	231 036	30	Screw	210 335
9	Cam on the left	231 039	31	Stitch cam on the left E10 - E14 + E7.2	236 318
10	Cam on the right	231 041	32	Stitch cam on the right E10 - E14 + E7.2	236 319
11	Cam in the middle	231 040	33	Tuck limit cam E12	236 403
12	Cam	227 923	34	Raising cam plate E4-12	204 372
13	Cam	210 254	35	Receiving cam E10 - E12	210 595
14	Cam on the left E5-14	212 265	36	Raising cam without split E10 – E12 + E7.2	237 993
15	Cam on the right E5-14	212 266		Raising cam with split E10 – E12 Accessory	213 300
16	Cam on the left	236 192	48	Cam on the right E5-14	212 275
17	Cam on the right	236 193	49	Entry cam on the left -1.5 E10 - E14	216 329
18	Cam on the left E5-14	212 274	50	Entry cam on the right -1.5 E10 - E14	216 330
19	Cam	210 252	500	Cap screw M4x8	020 091
20	Offering cam	210 185	60	Stitch cam at the rear on the right E10 - E12	236 320
21	Selector cam on the left	212 944			
22	Selector cam on the right	212 947			



## Cam box E14

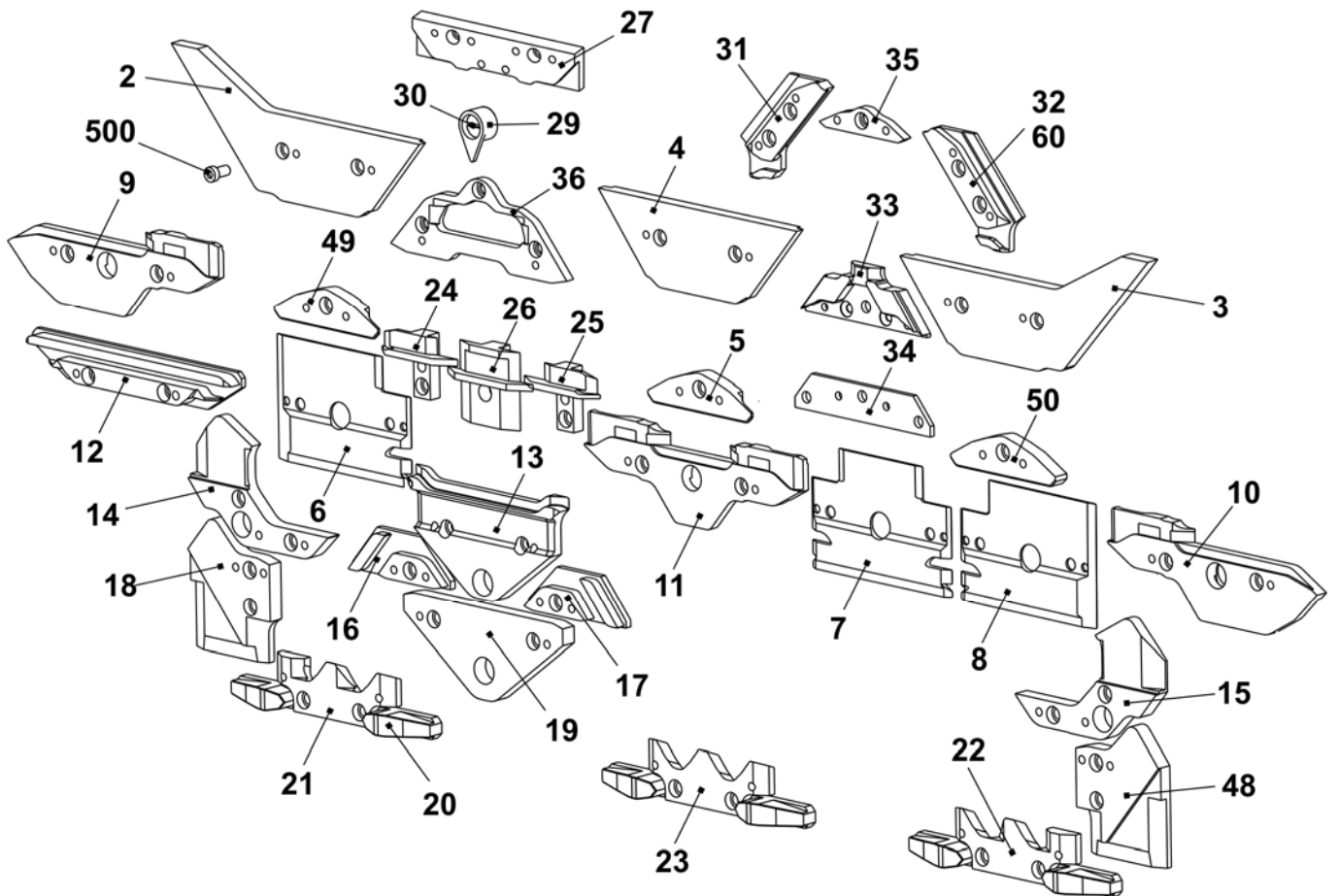
Pos	Designation	ID No.	Pos	Designation	ID No.
$\Sigma$	<b>Cam box set complete E14</b>	<b>242 962</b>	42	Switching piece	240 281
1	Cam plate	240 371	505	Shim 0.03x12x75	022 828
37	Stitch forming cam on the right complete E12 – E14	214 088	506	Shim 0.05x12x75	022 829
38	Stitch forming cam on the left complete E12 – E14	214 089	507	Shim 0.1x12x75	022 830
39	Rod guide element on the left	211 165	508	Shim 0.2x12x75	022 831
40	Rod guide element in the middle	211 166	509	Countersunk screw M3x4	023 142
41	Rod guide element on the right	211 168	510	Shoulder screw	239 626
402	Spring rod	209 791	<b>Cam box set complete</b> contains all parts for <b>both</b> carriage sides		
541	Washer 4.3x7x0.5	022 153			
542	Circlip 3.2Circlip 3.2	021 019			
543	Spring	023 344			





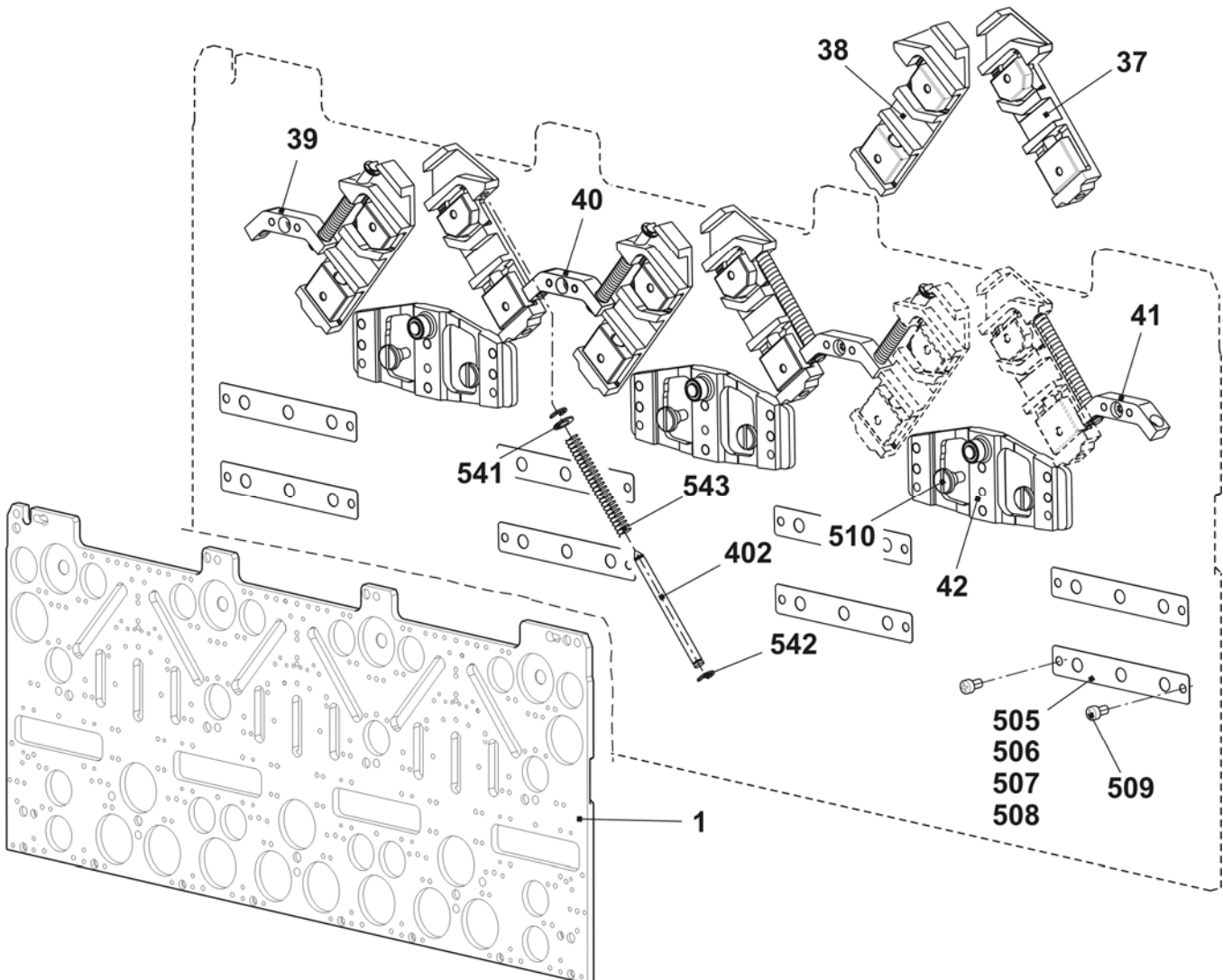
## Cams E14

Pos	Designation	ID	Pos	Designation	ID
2	Entry cam on the left	243 595	23	Selector cam	212 946
3	Entry cam on the right	243 597	24	Pressure part take-over on the left	239 848
4	Entry cam in the middle	243 596	25	Pressure part take-over on the right	239 849
5	Entry cam at the bottom - 1.5 E10 - E14	216 328	26	Tuck pressure part	239 621
6	Plate on the left	230 988	27	Limit cam E12 – E14	210 612
7	Plate in the middle	231 035	29	Pointer E10 – E14	210 349
8	Plate on the right	231 036	30	Screw	210 335
9	Cam on the left	231 039	31	Stitch cam on the left E10 - E14 + E7.2	236 318
10	Cam on the right	231 041	32	Stitch cam on the right E10 - E14 + E7.2	236 319
11	Cam in the middle	231 040	33	Tuck limit cam E14	236 428
12	Cam	227 923	34	Raising cam plate E4-12	204 372
13	Cam	210 254	35	Receiving cam E14	236 944
14	Cam on the left E5-14	212 265	36	Raising cam without split E14	236 767
15	Cam on the right E5-14	212 266		Raising cam with split E14	214 212
16	Cam on the left	236 192		Accessories	
17	Cam on the right	236 193	48	Cam on the right E5-14	212 275
18	Cam on the left E5-14	212 274	49	Entry cam on the left -1.5 E10 - E14	216 329
19	Cam	210 252	50	Entry cam on the right -1.5 E10 - E14	216 330
20	Offering cam	210 185	500	Cap screw M4x8	020 091
21	Selector cam on the left	212 944			
22	Selector cam on the right	212 947			



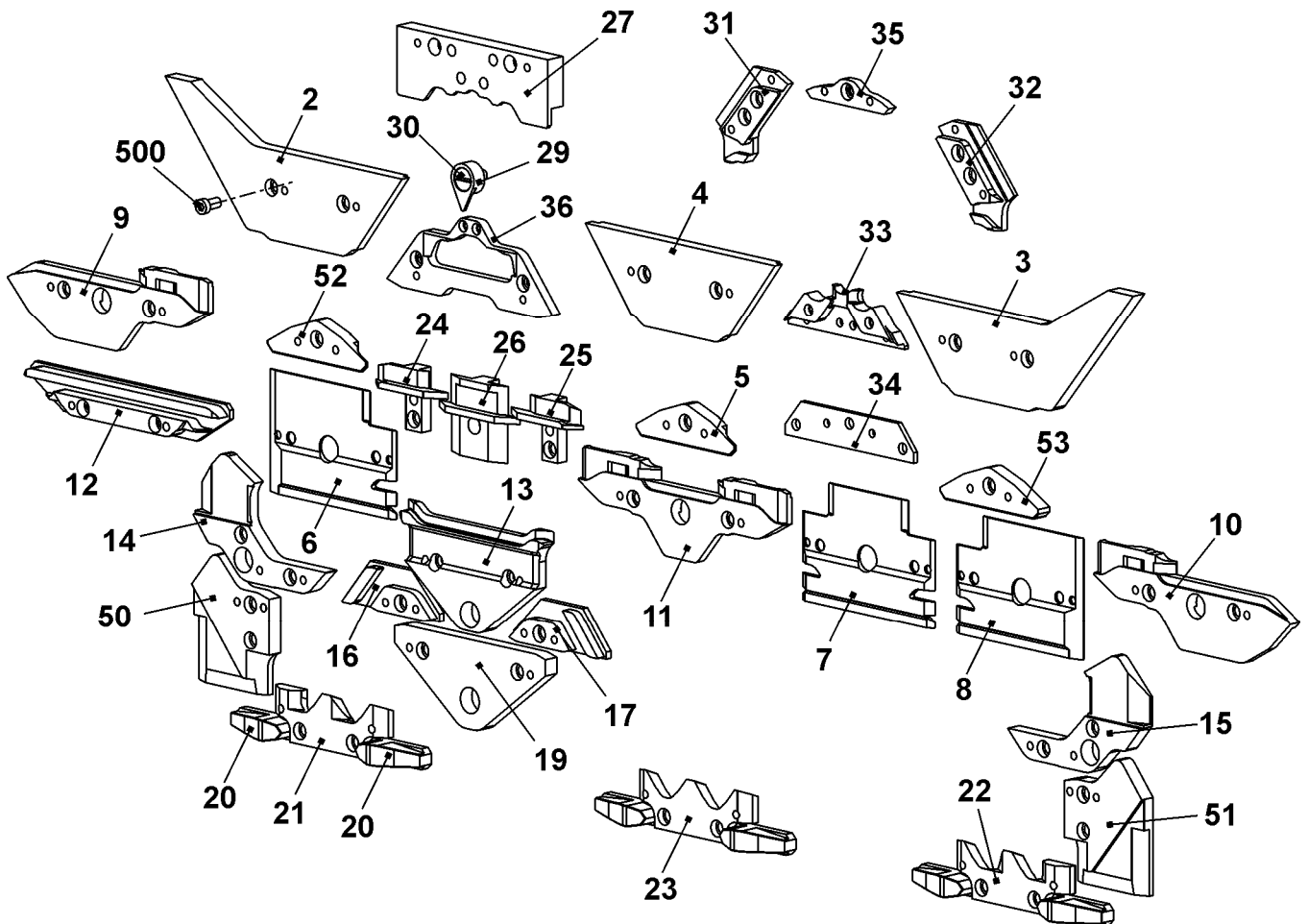
## Cam box E16

Pos	Designation	ID No.	Pos	Designation	ID No.
<b>Σ</b>	<b>Cam box set complete E16</b>	<b>244 622</b>	42	Switching piece	240 281
1	Cam plate	240 371	505	Shim 0.03x12x75	022 828
37	Stitch forming cam on the right complete E16 - E20	221 123	506	Shim 0.05x12x75	022 829
38	Stitch forming cam on the left complete E16 - E20	221 124	507	Shim 0.1x12x75	022 830
39	Rod guide element on the left	211 165	508	Shim 0.2x12x75	022 831
40	Rod guidance part middle	211 166	509	Countersunk screw M3x4	023 142
41	Rod guide element on the right	211 168	510	Cap screw M3x8	020 081
	402 Spring rod	209 791	Parts at the bottom of the cam box		
	541 Washer 4.3x7x0.5	022 153	<b>Cam box set complete</b> contains all parts for <b>both</b> carriage sides		
	542 Circlip 3.2Circlip 3.2	021 019			
	543 Compression spring	023 344			



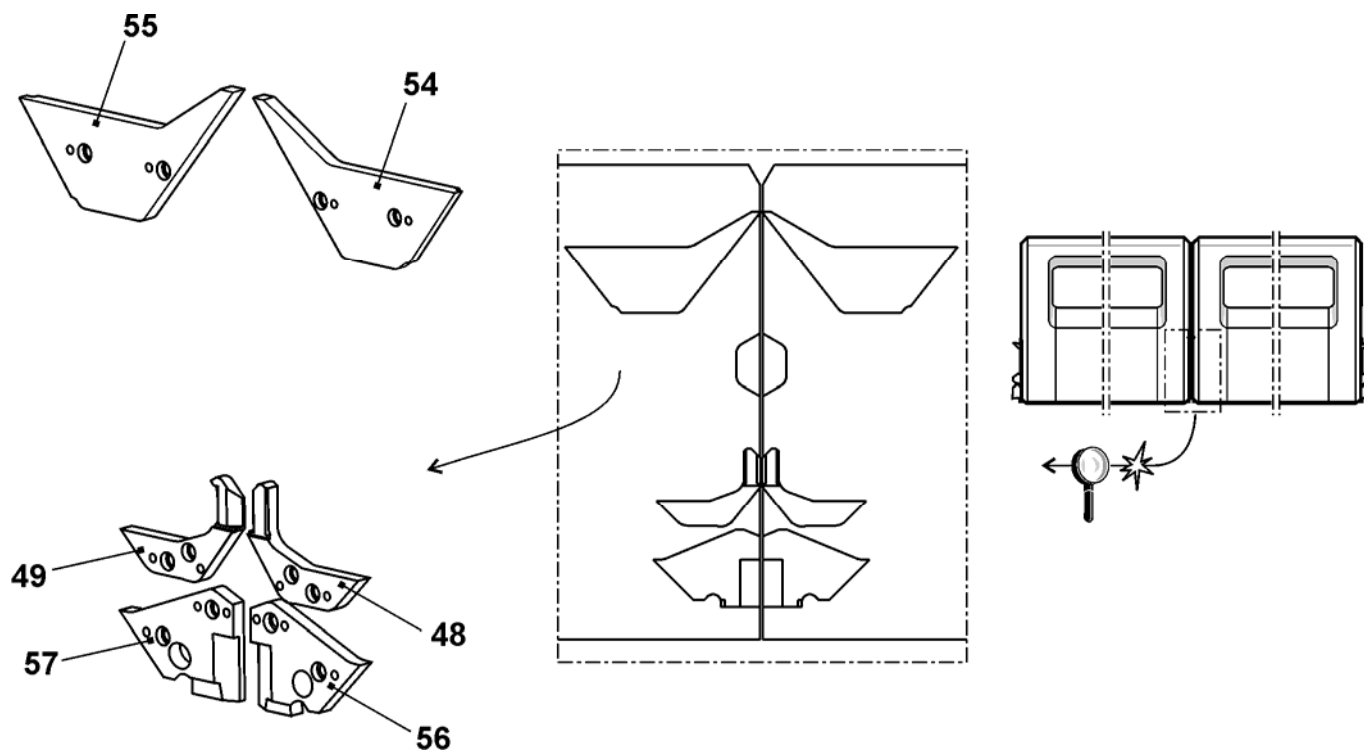
## Cams E16

Pos	Designation	ID No.	Pos	Designation	ID No.
2	Entry cam on the left	243 595	24	Pressure part take-over on the left	239 848
3	Entry cam on the right	243 597	25	Pressure part take-over on the right	239 849
4	Entry cam in the middle	243 596	26	Tuck pressure part	239 621
5	Entry cam at the bottom E16 - E20	220 842	27	Limit cam E16 - E20	220 865
6	Plate on the left	230 988	29	Pointer E16 - E20	224 383
7	Plate in the middle	231 035	30	Screw	210 335
8	Plate on the right	231 036	31	Stitch cam on the left E16 - E20	220 870
9	Cam on the left	231 039	32	Stitch cam on the right E16 - E20	220 871
10	Cam on the right	231 041	33	Tuck limit cam E16 - E18	239 936
11	Cam in the middle	231 040	34	Raising cam plate E4-12	204 372
12	Cam	227 923	35	Receiving cam E16 - E20	220 863
13	Cam	210 254	36	Raising cam without split E16 - E18 + E9.2	239 457
14	Cam on the left E5-14	212 265		Raising cam with split E16 - E18 + E9.2	239 742 Accessories
15	Cam on the right E5-14	212 266	50	Cam on the left E5-14	212 274
16	Cam on the left	236 192	51	Cam on the right E5-14	212 275
17	Cam on the right	236 193	52	Entry cam on the left E16 - E20	220 841
19	Cam	210 252	53	Entry cam on the right E16 - E20	220 843
20	Offering cam	210 185	500	Cap screw M4x8	020 091
21	Selector cam on the left	253 629			
22	Selector cam on the right	253 631			
23	Selector cam	253 630			



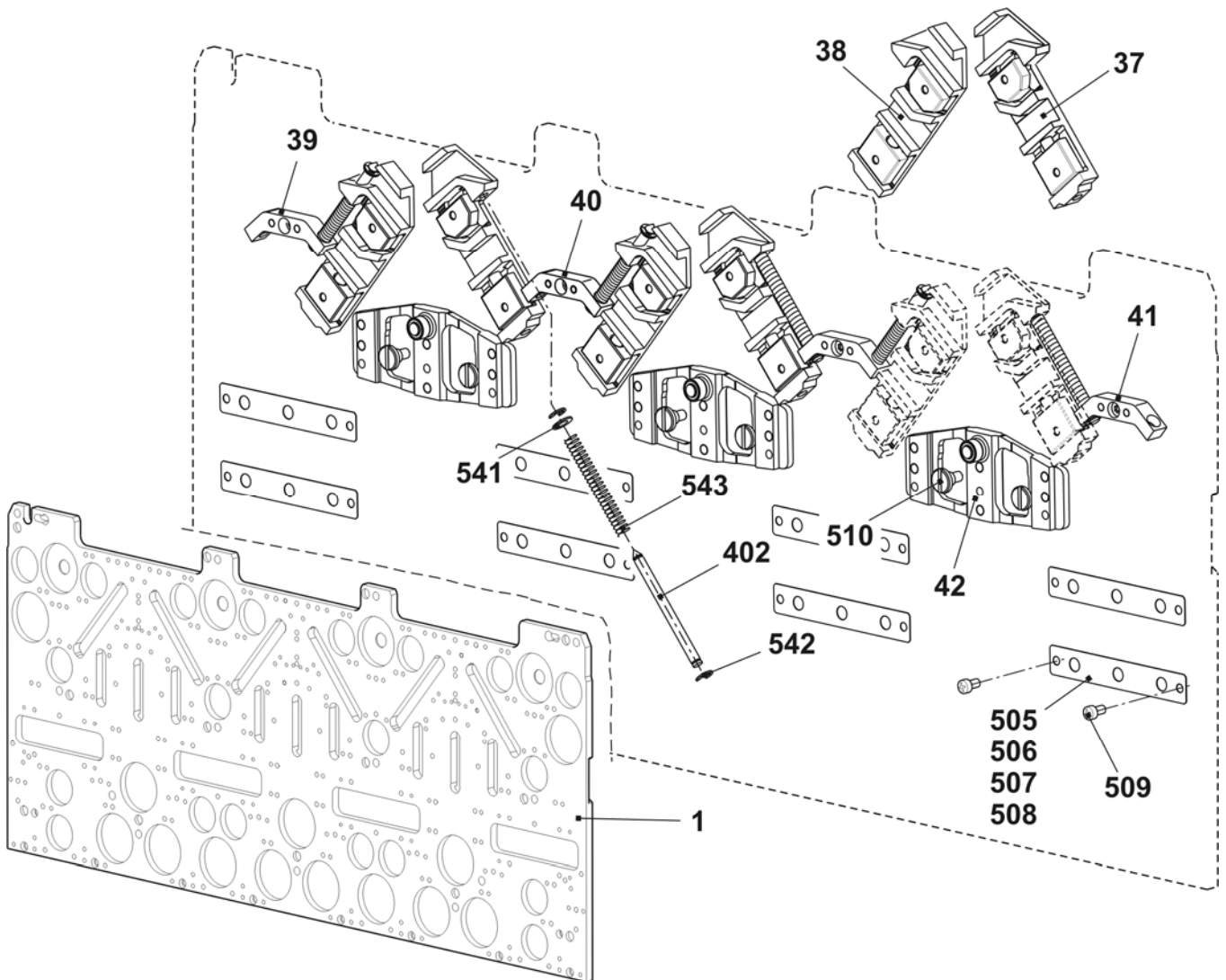
## Cams for narrow coupling E16 + E8.2

Pos	Designation	ID No.	Pos	Designation	ID No.
48	Cam on the left E5-14	216 167	55	Entry cam on the right	243 858
49	Cam on the right E5-14	216 168	56	Cam on the left	216 165
54	Entry cam on the left	243 857	57	Cam on the right	216 166



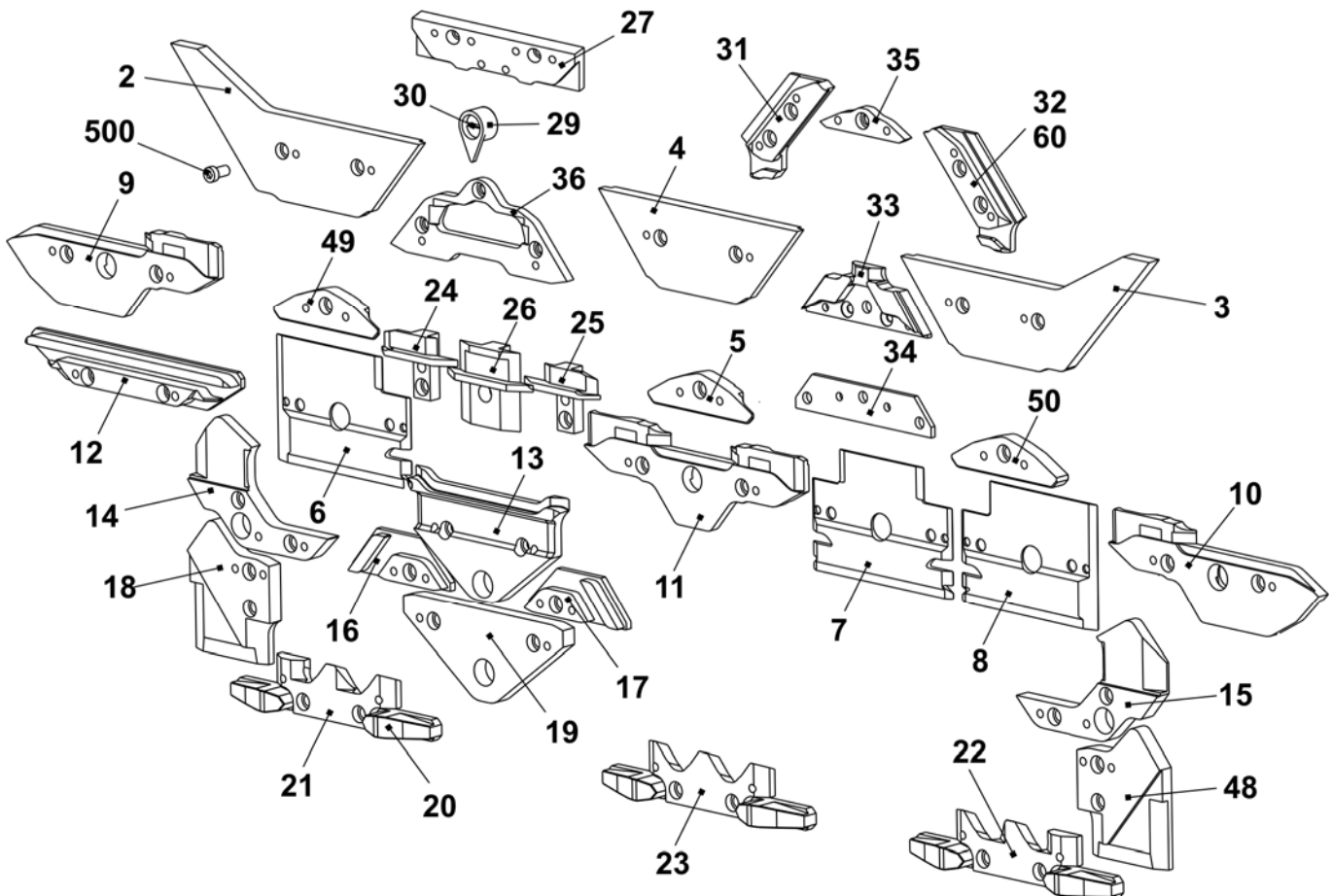
## Cam box E10m.12

Pos	Designation	ID No.	Pos	Designation	ID No.
$\Sigma$	<b>Cam box set at the left complete E10m.12</b>	<b>244 750</b>	$\Sigma$	<b>Cam box set at the right complete E10m.12</b>	<b>244 751</b>
1	Cam plate	240 371	42	Switching piece	240 281
37	Stitch forming cam on the right complete E5-10	211 163	505	Shim 0.03x12x75	022 828
38	Stitch forming cam on the left complete E5-10	211 164	506	Shim 0.05x12x75	022 829
39	Rod guide element on the left	211 165	507	Shim 0.1x12x75	022 830
40	Rod guide element in the middle	211 166	508	Shim 0.2x12x75	022 831
41	Rod guide element on the right	211 168	509	Countersunk screw M3x4	023 142
402	Spring rod	209 791	510	Shoulder screw	239 626
541	Washer 4.3x7x0.5	022 153	<b>Cam box set complete</b> contains all parts for <b>both</b> carriage sides		
542	Circlip 3.2	021 019			
543	Spring	023 344			



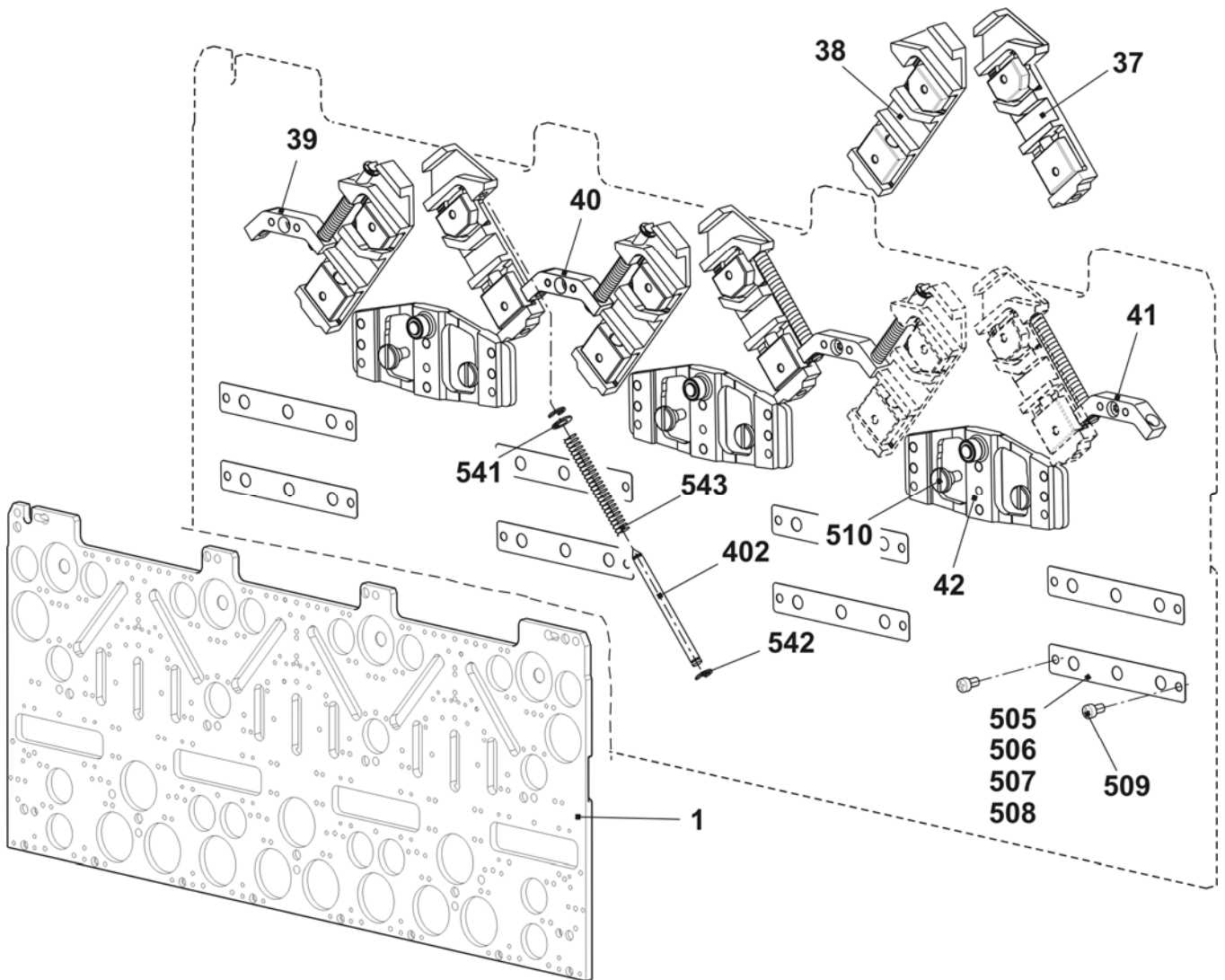
**Cams E10m.12**

Pos	Designation	ID	Pos	Designation	ID
2	Entry cam on the left	243 595	23	Selector cam	212 946
3	Entry cam on the right	243 597	24	Pressure part take-over on the left	239 848
4	Entry cam in the middle	243 596	25	Pressure part take-over on the right	239 849
5	Entry cam at the bottom - 1.5 E10 - E14	216 328	26	Tuck pressure part	239 621
6	Plate on the left	230 988	27	Limit cam E12 – E14	210 612
7	Plate in the middle	231 035	29	Pointer E10 – E14	210 349
8	Plate on the right	231 036	30	Screw	210 335
9	Cam on the left	231 039	31	Stitch cam on the left E10 - E14 + E7.2	236 318
10	Cam on the right	231 041	32	Stitch cam on the right E10 - E14 + E7.2	236 319
11	Cam in the middle	231 040	33	Tuck limit cam E12	236 403
12	Cam	227 923	34	Raising cam plate E4-12	204 372
13	Cam	210 254	35	Receiving cam E10 - E12	210 595
14	Cam on the left E5-14	212 265	36	Raising cam without split E10 – E12 + E7.2	237 993
15	Cam on the right E5-14	212 266		Raising cam with split E10 – E12 + E7.2 Accessories	213 300
16	Cam on the left	236 192	48	Cam on the right E5-14	212 275
17	Cam on the right	236 193	49	Entry cam on the left -1.5 E10 - E14	216 329
18	Cam on the left E5-14	212 274	50	Entry cam on the right -1.5 E10 - E14	216 330
19	Cam	210 252	500	Cap screw M4x8	020 091
20	Offering cam	210 185	60	Stitch cam at the rear on the right E10 - E12	236 320
21	Selector cam on the left	212 944			
22	Selector cam on the right	212 947			



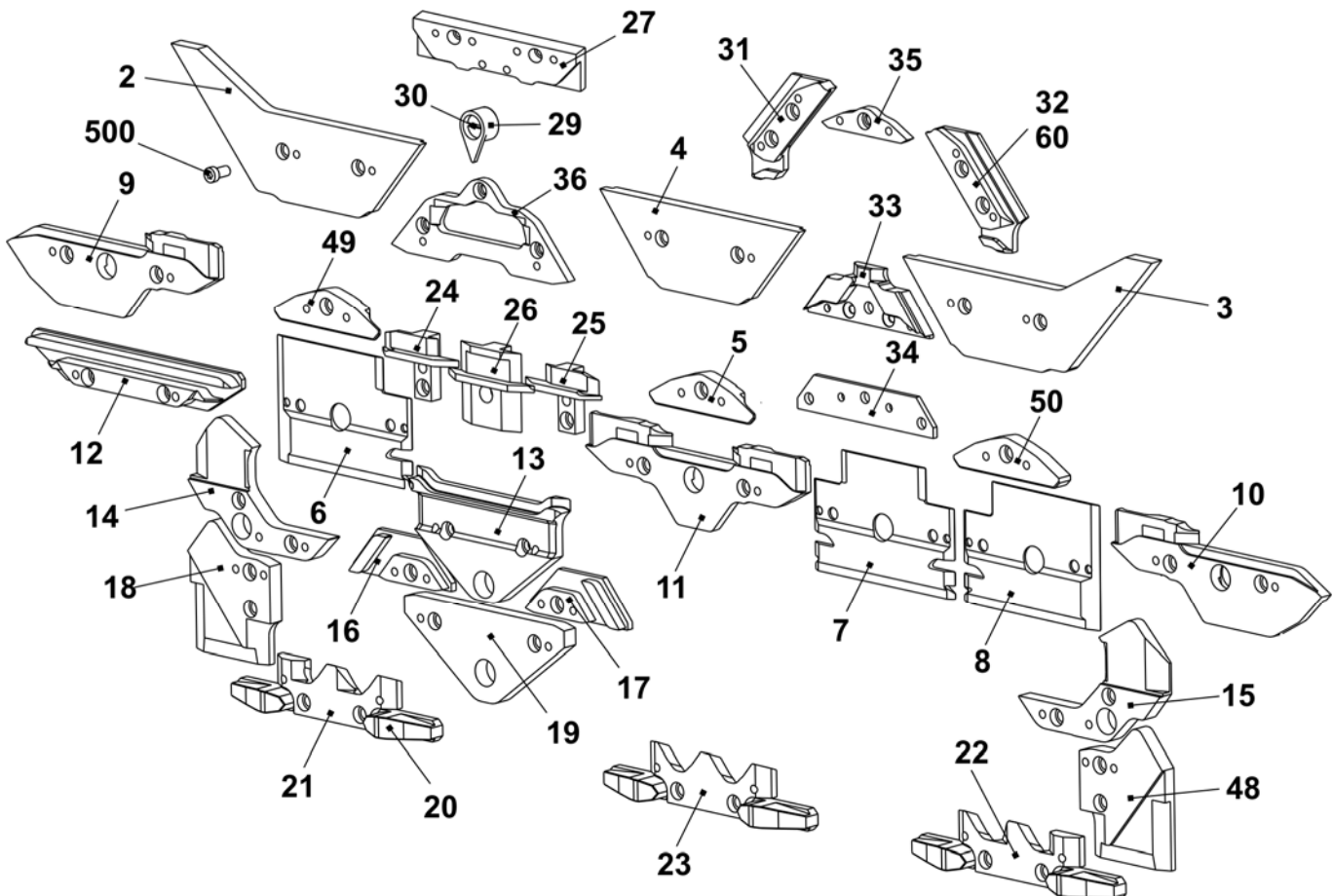
## Cam box E12m.10

Pos	Designation	ID No.	Pos	Designation	ID No.
$\Sigma$	<b>Cam box set at the left complete E12m.10</b>	<b>244 752</b>	$\Sigma$	<b>Cam box set at the right complete E12m.10</b>	<b>244 753</b>
1	Cam plate	240 371	42	Switching piece	240 281
37	Stitch forming cam on the right complete E12 – E14	214 088	505	Shim 0.03x12x75	022 828
38	Stitch forming cam on the left complete E12 – E14	214 089	506	Shim 0.05x12x75	022 829
39	Rod guide element on the left	211 165	507	Shim 0.1x12x75	022 830
40	Rod guide element in the middle	211 166	508	Shim 0.2x12x75	022 831
41	Rod guide element on the right	211 168	509	Countersunk screw M3x4	023 142
402	Spring rod	209 791	510	Shoulder screw	239 626
541	Washer 4.3x7x0.5	022 153	<b>Cam box set complete</b> contains all parts for <b>both</b> carriage sides		
542	Circlip 3.2	021 019			
543	Spring	023 344			



**Cams E6.2 (12m.10)**

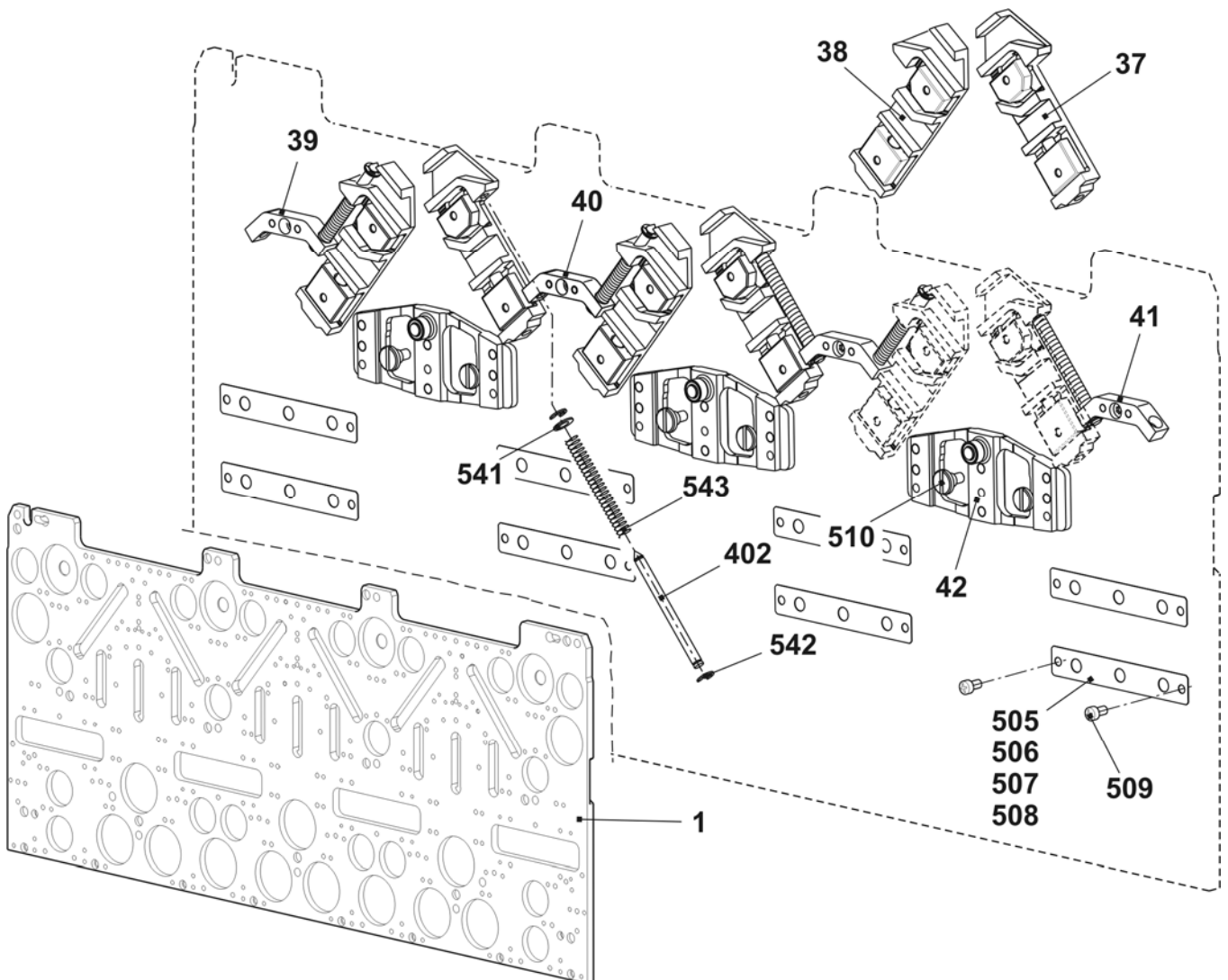
Pos	Designation	ID	Pos	Designation	ID
2	Entry cam on the left	243 595	23	Selector cam	212 946
3	Entry cam on the right	243 597	24	Pressure part take-over on the left	239 848
4	Entry cam in the middle	243 596	25	Pressure part take-over on the right	239 849
5	Entry cam at the bottom - 1.5 E10 - E14	216 328	26	Tuck pressure part	239 621
6	Plate on the left	230 988	27	Limit cam E10	210 611
7	Plate in the middle	231 035	29	Pointer E10 - E14	210 349
8	Plate on the right	231 036	30	Screw	210 335
9	Cam on the left	231 039	31	Stitch cam on the left E10 - E14 + E7.2	236 318
10	Cam on the right	231 041	32	Stitch cam on the right E10 - E14 + E7.2	236 319
11	Cam in the middle	231 040	33	Tuck limit cam E10 + E7.2	236 345
12	Cam	227 923	34	Raising cam plate E4-12	204 372
13	Cam	210 254	35	Receiving cam E10 - E12	210 595
14	Cam on the left E5-14	212 265	36	Raising cam without split E10 - E12 + E7.2	237 993
15	Cam on the right E5-14	212 266		Raising cam with split E10 - E12 + E7.2 Accessories	237 300
16	Cam on the left	236 192	48	Cam on the right E5-14	212 275
17	Cam on the right	236 193	49	Entry cam on the left -1.5 E10 - E14	216 329
18	Cam on the left E5-14	212 274	50	Entry cam on the right -1.5 E10 - E14	216 330
19	Cam	210 252	500	Cap screw M4x8	020 091
20	Offering cam	210 185	60	Stitch cam at the rear on the right E10 - E12	236 320
21	Selector cam on the left	212 944			
22	Selector cam on the right	212 947			





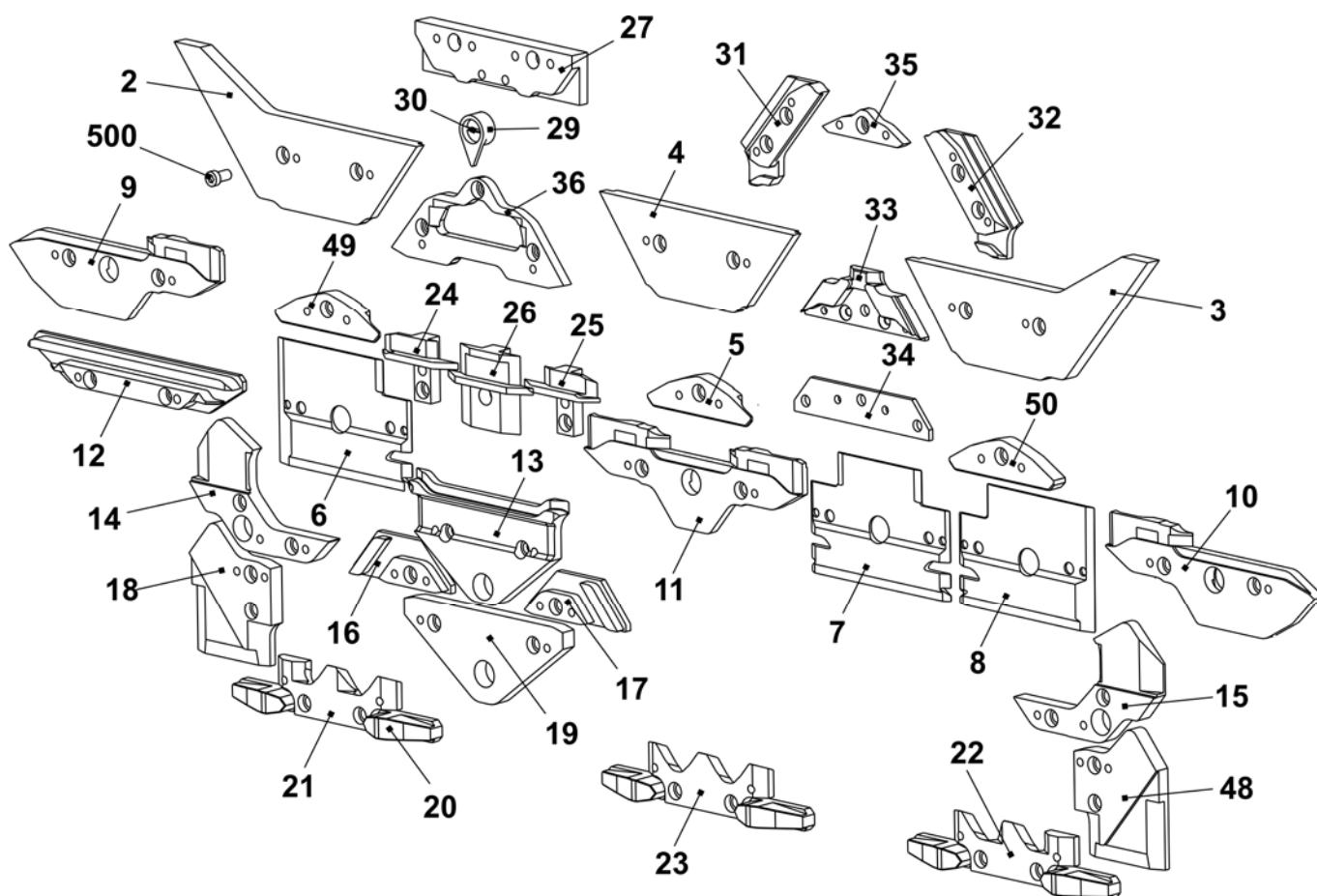
## Cam box E6.2

Pos	Designation	ID No.	Pos	Designation	ID No.
<b>Σ</b>	<b>Cam box set E6.2</b>	<b>244 615</b>	42	Switching piece	240 281
1	Cam plate	240 371	505	Shim 0.03x12x75	022 828
37	Stitch forming cam on the right complete E12 – E14	214 088	506	Shim 0.05x12x75	022 829
38	Stitch forming cam on the left complete E12 – E14	214 089	507	Shim 0.1x12x75	022 830
39	Rod guide element on the left	211 165	508	Shim 0.2x12x75	022 831
40	Rod guide element in the middle	211 166	509	Countersunk screw M3x4	023 142
41	Rod guide element on the right	211 168	510	Shoulder screw	239 626
402	Spring rod	209 791	<b>Cam box set complete</b> contains all parts for <b>both</b> carriage sides		
541	Washer 4.3x7x0.5	022 153			
542	Circlip 3.2	021 019			
543	Spring	023 344			



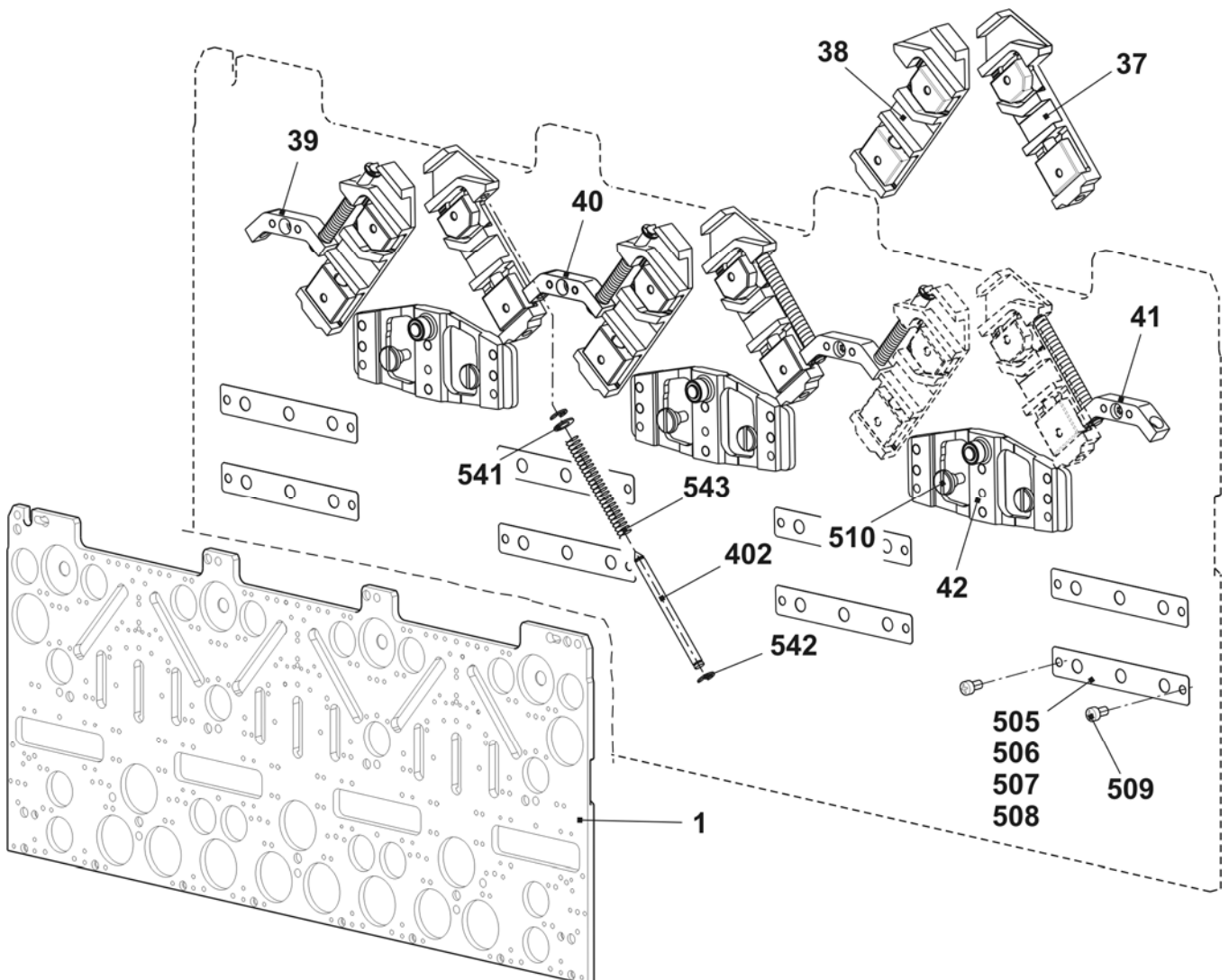
**Cams E6.2**

Pos	Designation	ID	Pos	Designation	ID
2	Entry cam on the left	243 595	23	Selector cam	212 946
3	Entry cam on the right	243 597	24	Pressure part take-over on the left	239 848
4	Entry cam in the middle	243 596	25	Pressure part take-over on the right	239 849
5	Entry cam at the bottom - 1.5 E10 - E14	216 328	26	Tuck pressure part	239 621
6	Plate on the left	230 988	27	Limit cam E6.2	218 306
7	Plate in the middle	231 035	29	Pointer E10 – E14	210 349
8	Plate on the right	231 036	30	Screw	210 335
9	Cam on the left	231 039	31	Stitch cam on the left E6.2	236 392
10	Cam on the right	231 041	32	Stitch cam on the right E6.2	236 393
11	Cam in the middle	231 040	33	Tuck limit cam E6.2	236 429
12	Cam	227 923	34	Raising cam plate E4-12	204 372
13	Cam	210 254	35	Receiving cam E6.2	236 943
14	Cam on the left E5 – E14	212 265	36	Knitting raising cam without split E6.2	236 766
15	Cam on the right E5 - E14	212 266		Raising cam part with split E6.2	237 948
16	Cam on the left	236 192		Accessories	
17	Cam on the right	236 193	48	Cam on the right E5-14	212 275
18	Cam on the left E5 - E14	212 274	49	Entry cam on the left -1.5 E10 - E14	216 329
19	Cam	210 252	50	Entry cam on the right -1.5 E10 - E14	216 330
20	Offering cam	210 185	500	Cap screw M4x8	020 091
21	Selector cam on the left	212 944			
22	Selector cam on the right	212 947			



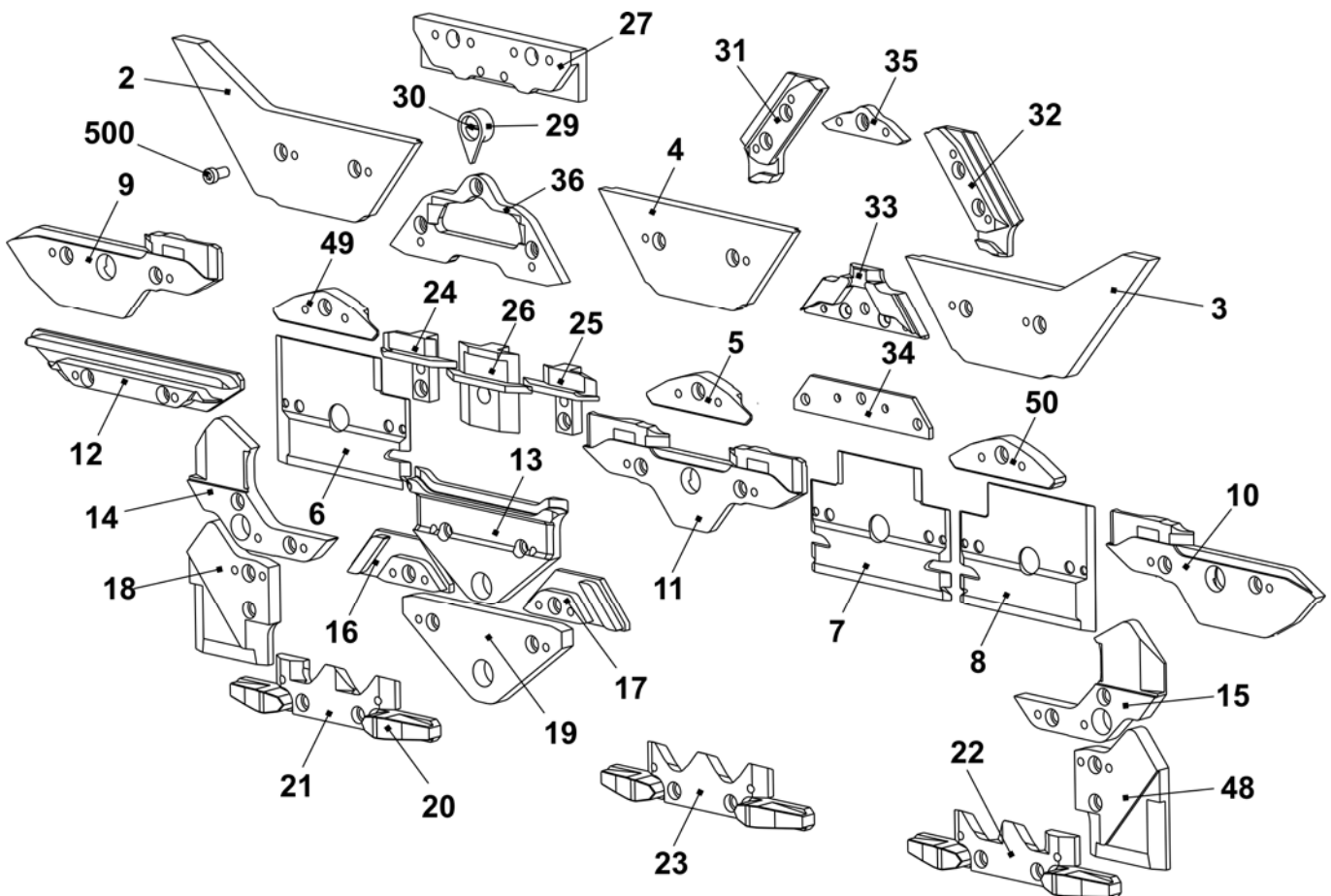
## Cam box E7.2

Pos	Designation	ID No.	Pos	Designation	ID No.
<b>Σ</b>	<b>Cam box set complete E7.2</b>	<b>244 618</b>	42	Switching piece	240 281
1	Cam plate	240 371	505	Shim 0.03x12x75	022 828
37	Stitch forming cam on the right complete E12 – E14	214 088	506	Shim 0.05x12x75	022 829
38	Stitch forming cam on the left complete E12 – E14	214 089	507	Shim 0.1x12x75	022 830
39	Rod guide element on the left	211 165	508	Shim 0.2x12x75	022 831
40	Rod guide element in the middle	211 166	509	Countersunk screw M3x4	023 142
41	Rod guide element on the right	211 168	510	Shoulder screw	239 626
	402 Spring rod	209 791	<b>Cam box set complete</b> contains all parts for <b>both</b> carriage sides		
	541 Washer 4.3x7x0.5	022 153			
	542 Circlip 3.2Circlip 3.2	021 019			
	543 Spring	023 344			



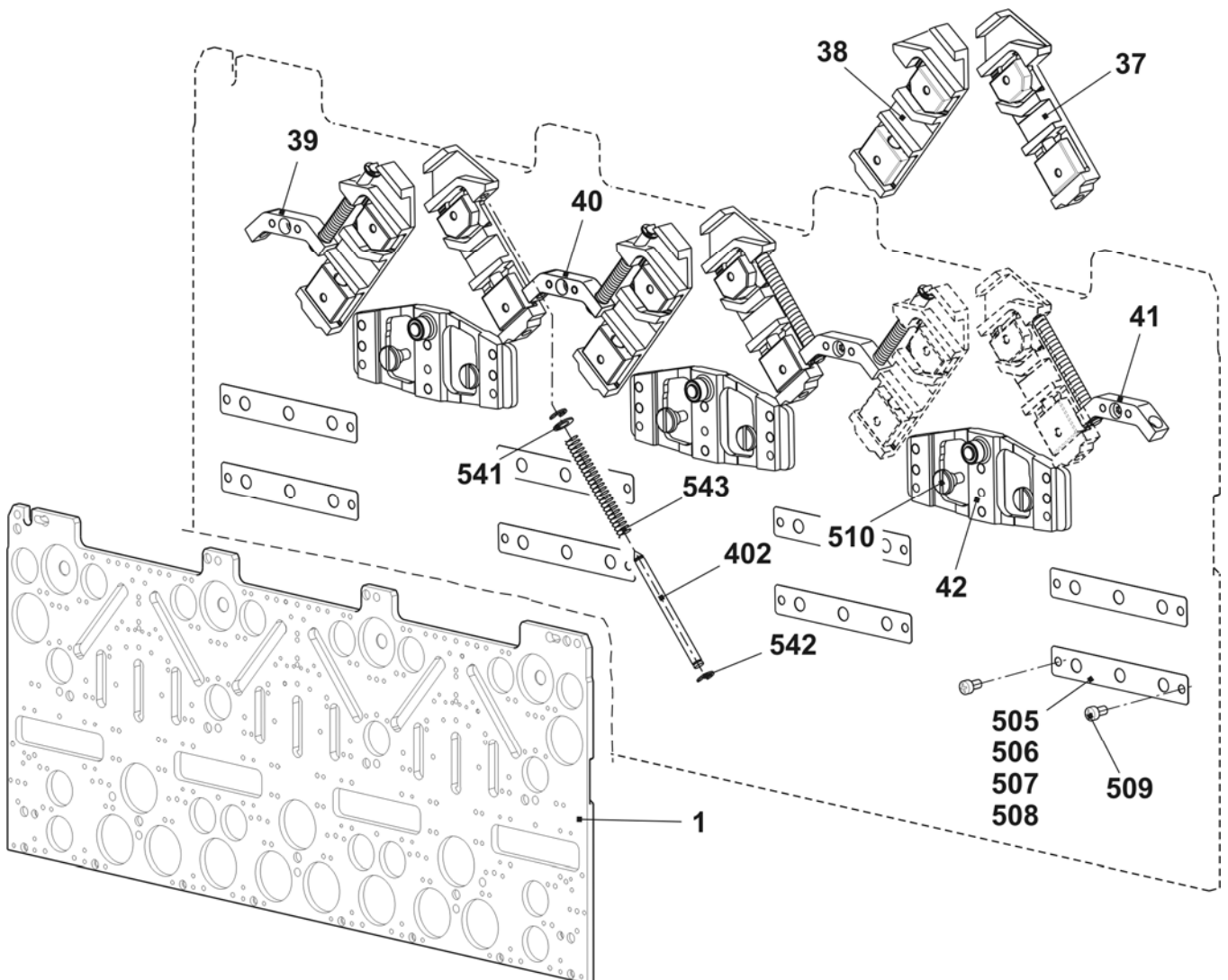
**Cams E7.2**

Pos	Designation	ID	Pos	Designation	ID
2	Entry cam on the left	243 595	23	Selector cam	212 946
3	Entry cam on the right	243 597	24	Pressure part take-over on the left	239 848
4	Entry cam in the middle	243 596	25	Pressure part take-over on the right	239 849
5	Entry cam at the bottom - 1.5 E10 - E14	216 328	26	Tuck pressure part	239 621
6	Plate on the left	230 988	27	Limit cam E10	210 611
7	Plate in the middle	231 035	29	Pointer E10 – E14	210 349
8	Plate on the right	231 036	30	Screw	210 335
9	Cam on the left	231 039	31	Stitch cam on the left E10 - E14 + E7.2	236 318
10	Cam on the right	231 041	32	Stitch cam on the right E10 - E14 + E7.2	236 319
11	Cam in the middle	231 040	33	Tuck limit cam E10 + E7.2	236 345
12	Cam	227 923	34	Raising cam plate E4-12	204 372
13	Cam	210 254	35	Receiving cam E10 - E12	210 595
14	Cam on the left E5-14	212 265	36	Raising cam without split E10 – E12 + E7.2	237 993
15	Cam on the right E5-14	212 266		Raising cam with split E10 – E12 + E7.2	213 300 Accessories
16	Cam on the left	236 192	48	Cam on the right E5-14	212 275
17	Cam on the right	236 193	49	Entry cam on the left -1.5 E10 - E14	216 329
18	Cam on the left E5-14	212 274	50	Entry cam on the right -1.5 E10 - E14	216 330
19	Cam	210 252	500	Cap screw M4x8	020 091
20	Offering cam	210 185			
21	Selector cam on the left	212 944			
22	Selector cam on the right	212 947			



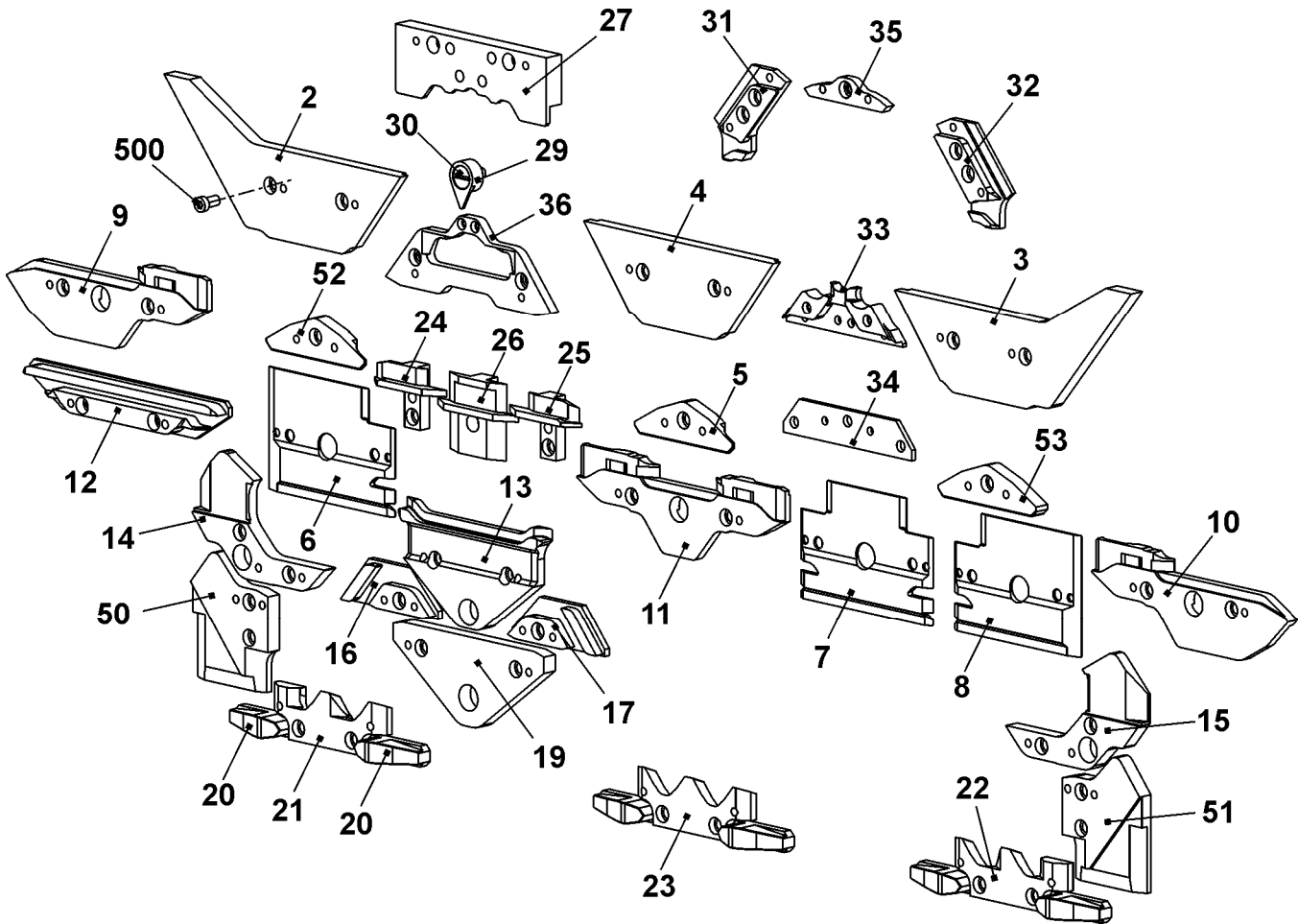
## Cam box E8.2

Pos	Designation	ID No.	Pos	Designation	ID No.
<b>Σ</b>	<b>Cam box set complete E8.2</b>	<b>244 625</b>	42	Switching piece	240 281
1	Cam plate	240 371	505	Shim 0.03x12x75	022 828
37	Stitch forming cam on the right complete E16 - E20	221 123	506	Shim 0.05x12x75	022 829
38	Stitch forming cam on the left complete E16 - E20	221 124	507	Shim 0.1x12x75	022 830
39	Rod guide element on the left	211 165	508	Shim 0.2x12x75	022 831
40	Rod guide element in the middle	211 166	509	Countersunk screw M3x4	023 142
41	Rod guide element on the right	211 168	510	Cap screw M3x8	020 081
402	Spring rod	209 791	Parts at the bottom of the cam box		
541	Washer 4.3x7x0.5	022 153	<b>Cam box set complete</b> contains all parts for <b>both</b> carriage sides		
542	Circlip 3.2	021 019			
543	Compression spring	023 344			

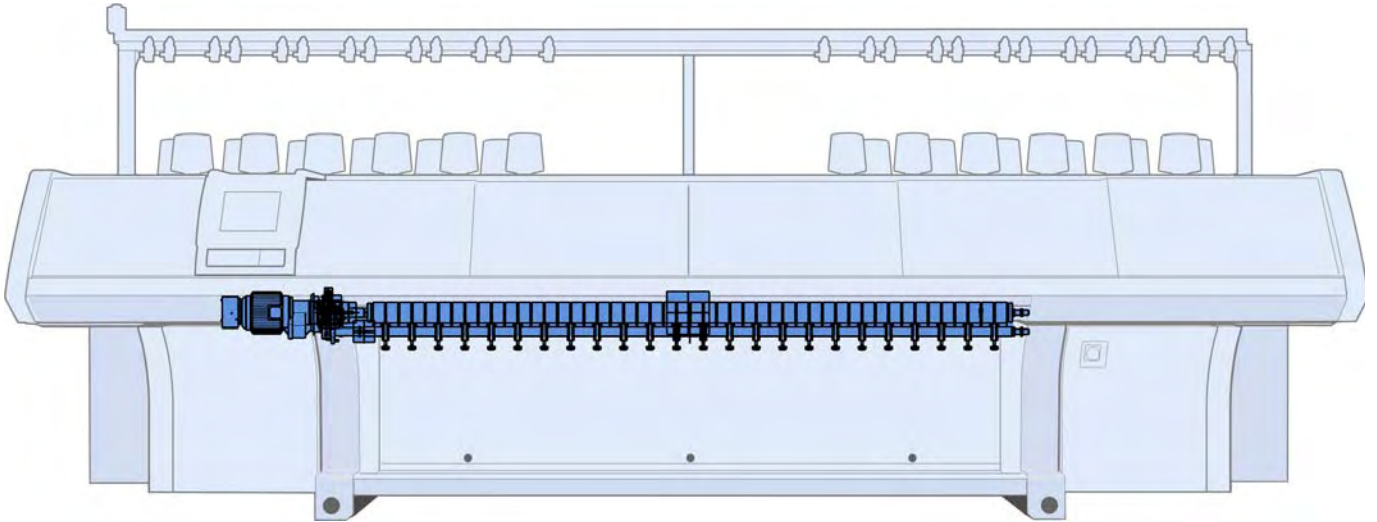


### Cams E8.2

Pos	Designation	ID No.	Pos	Designation	ID No.
2	Entry cam on the left	243 595	24	Pressure part take-over on the left	239 848
3	Entry cam on the right	243 597	25	Pressure part take-over on the right	239 849
4	Entry cam in the middle	243 596	26	Tuck pressure part	239 621
5	Entry cam at the bottom E16 - E20	220 842	27	Limit cam E9.2	228 978
6	Plate on the left	230 988	29	Pointer E16 - E20	224 383
7	Plate in the middle	231 035	30	Screw	210 335
8	Plate on the right	231 036	31	Stitch cam on the left E16 - E20	220 870
9	Cam on the left	231 039	32	Stitch cam on the right E16 - E20	220 871
10	Cam on the right	231 041	33	Tuck limit cam E9.2	239 458
11	Cam in the middle	231 040	34	Raising cam plate E4-12	204 372
12	Cam	227 923	35	Receiving cam E9.2	228 977
13	Cam	210 254	36	Raising cam without split E16 - E18 + E9.2	239 457
14	Cam on the left E5-14	212 265		Raising cam with split E16 - E18 + E9.2	239 742
15	Cam on the right E5-14	212 266		Accessories	
16	Cam on the left	236 192	50	Cam on the left E5-14	212 274
17	Cam on the right	236 193	51	Cam on the right E5-14	212 275
19	Cam	210 252	52	Entry cam on the left E16 - E20	220 841
20	Offering cam	210 185	53	Entry cam on the right E16 - E20	220 843
21	Selector cam on the left	253 629	500	Cap screw M4x8	020 091
22	Selector cam on the right	253 631			
23	Selector cam	253 630			

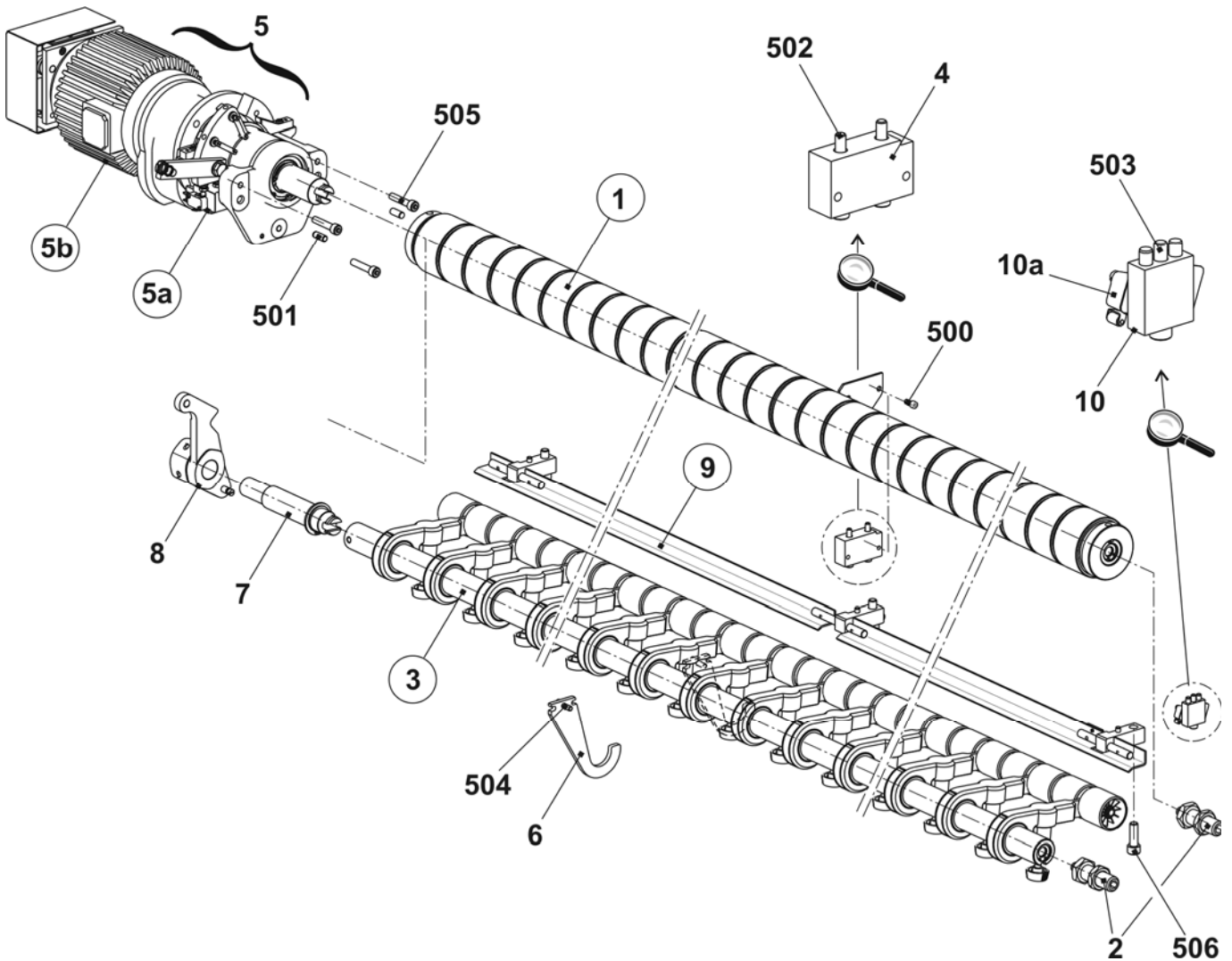


# Main take-down



# Main take-down

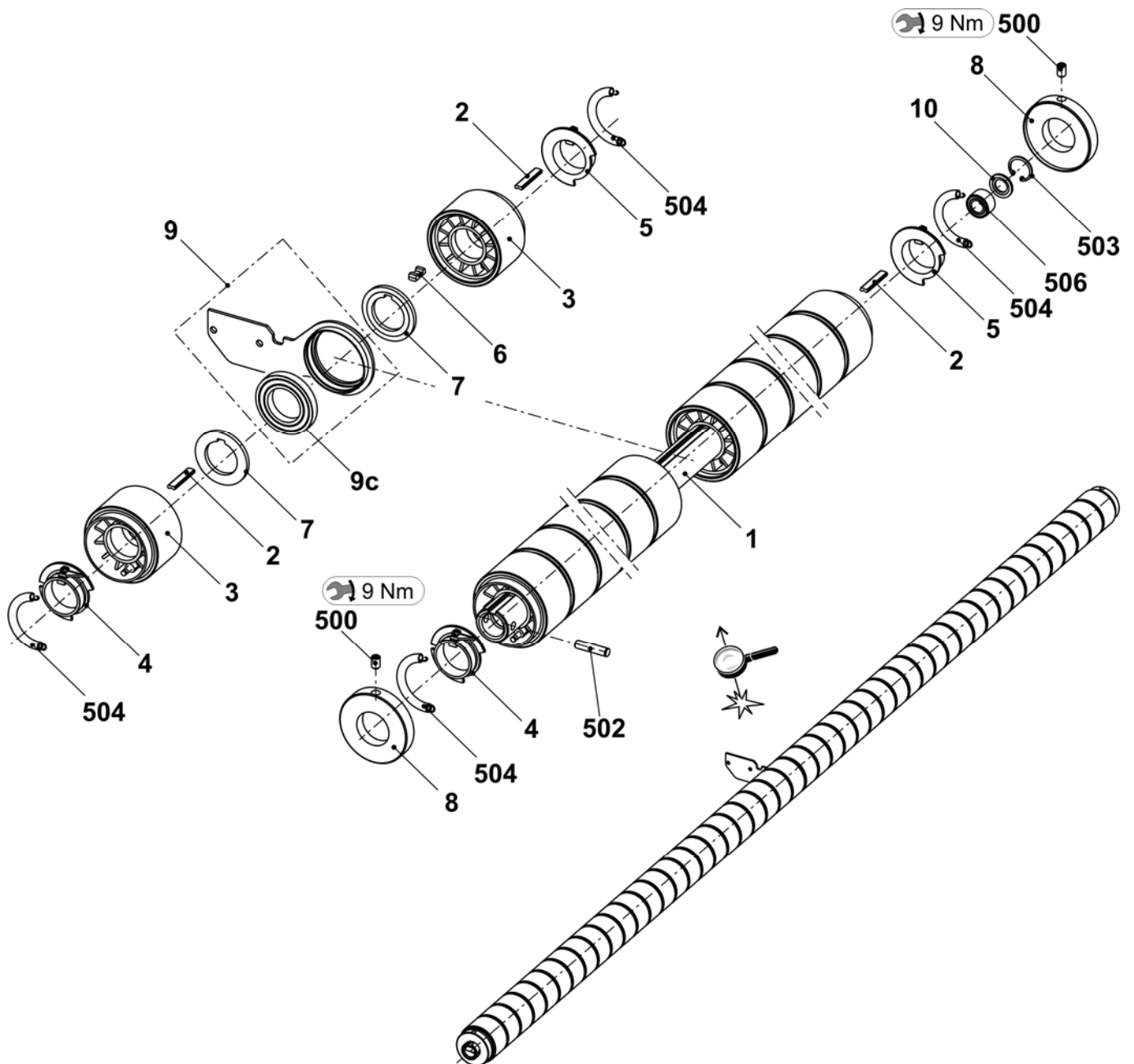
Pos	Designation	ID No.	Pos	Designation	ID No.
<b>Σ</b>	<b>Main take-down</b>	<b>243 279</b>	9	Fabric stripper	211 207
1	Take-down roller complete	211 170	10	Stop point complete	209 009
2	Journal complete	209 496	10a	Microswitch	026 259
3	Pressure shaft complete	243 265	500	Cap screw M6x12	020 134
4	Bearing	207 692	501	Setting pin 8x20	020 693
5	Take-down unit	244 450	502	Cap screw M6x45	022 689
	5a	Take-down gear assembly complete	503	Cap screw M6x40	020 140
	5b	Take-down motor with block	504	Cap screw M6x20-12.9	020 136
6	Support	243 294	505	Cap screw M8X40	020 145
7	Shaft complete	211 173	506	Cap screw M10x30	020 158
8	Lever complete	211 210			





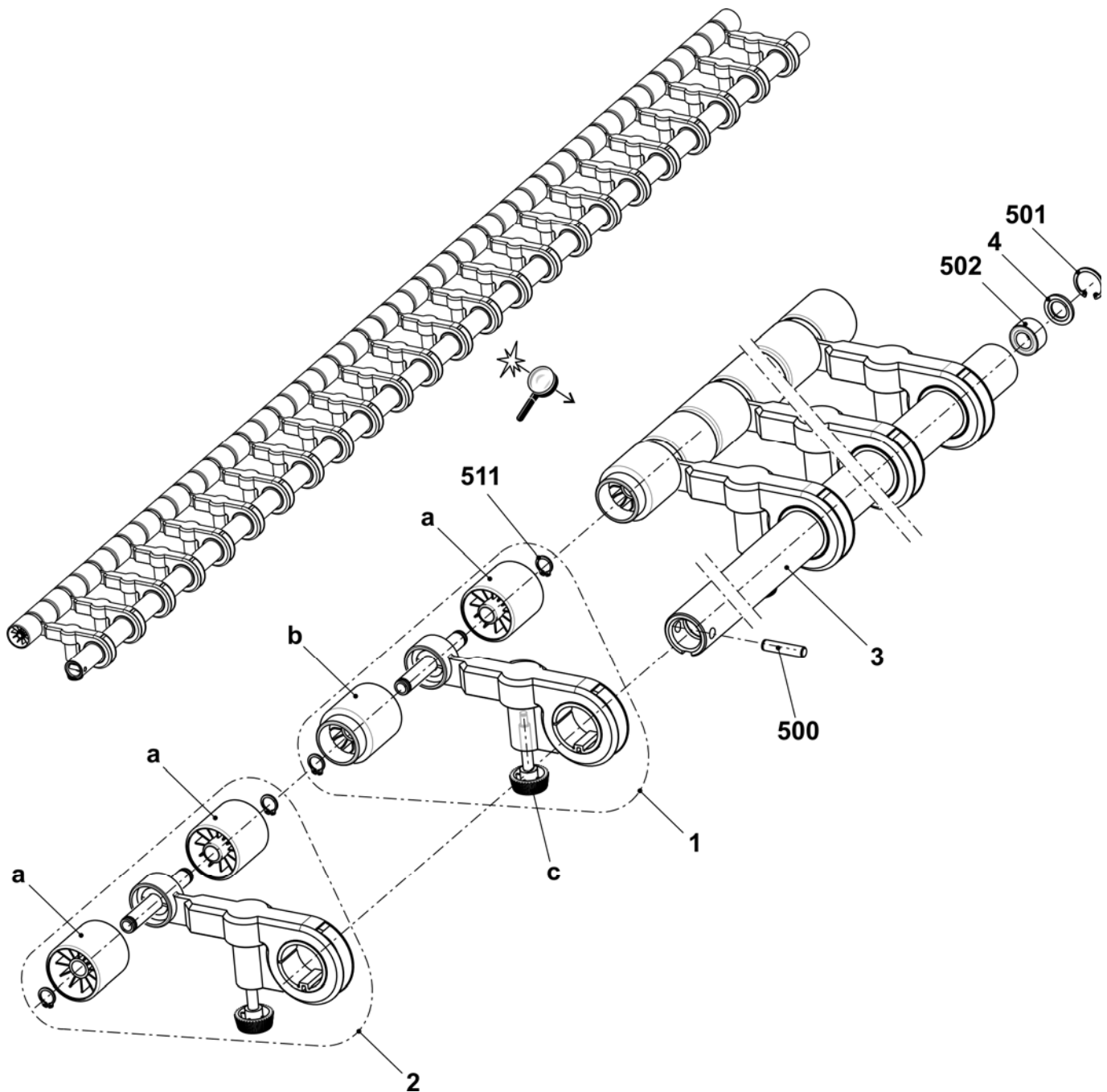
## Take-down roller

Pos	Designation	ID No.	Pos	Designation	ID No.
<b>Σ</b>	<b>Take-down roller complete</b>	<b>211 170</b>			
1	Shaft	211 111	9	Support	204 462
2	Spacer slide	204 340	9c	Grooved ball bearing 16007	021 697
3	Roller	236 169	10	Spacing ring	030 689
4	Stop ring on the left	204 369	500	Set screw M8x12-45H	023 393
5	Stop ring on the right	204 376	502	Setting pin 8x34	020 699
6	Slide	204 341	503	Locking ring 24x1.2	020 975
7	Spacing ring	204 343	504	Tension spring 8x0.95x65	023 231
8	End ring	211 110	506	Needle roller bearing NA4901	021 746



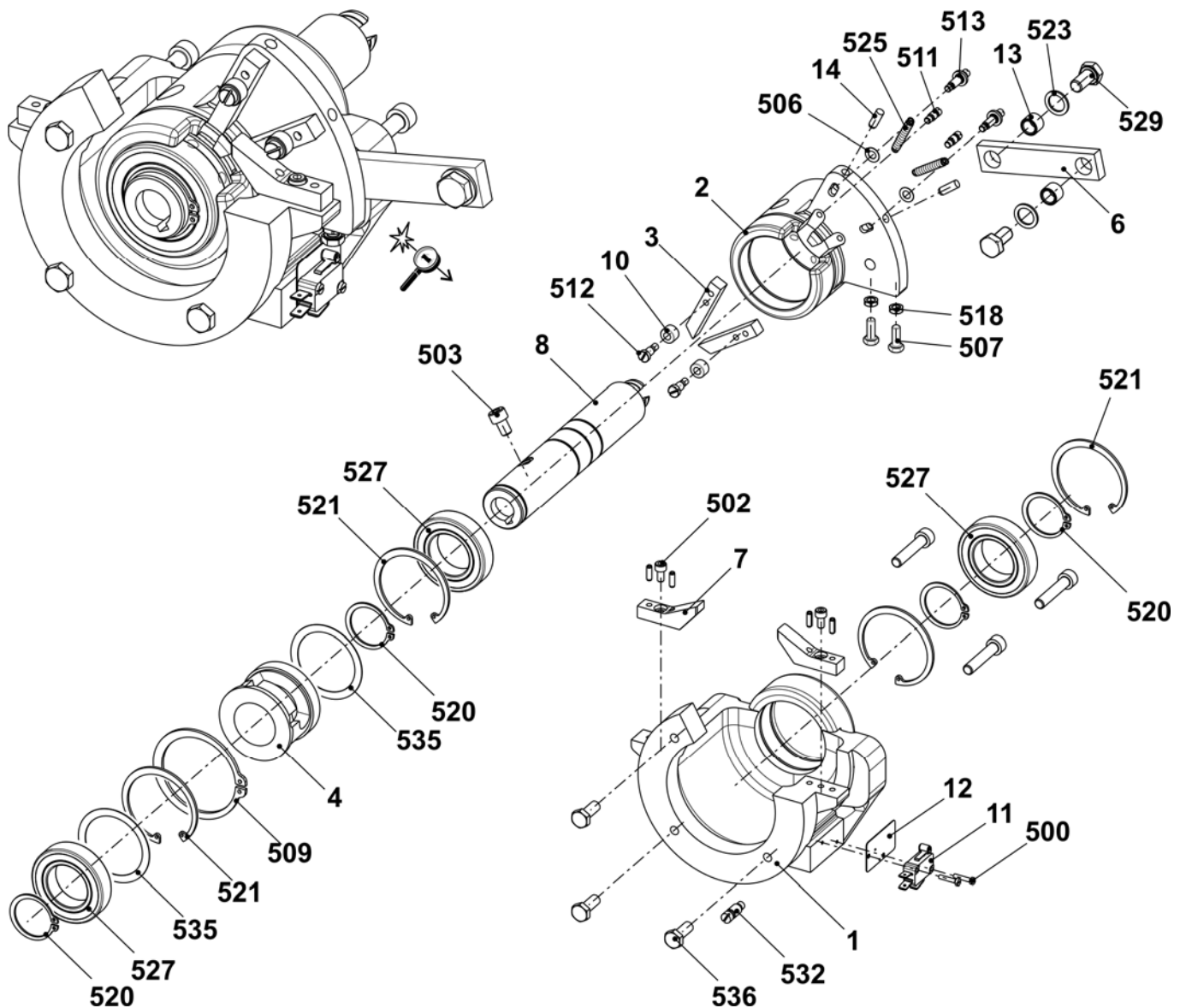
## Contact shaft

Pos	Designation	ID No.	Pos	Designation	ID No.
<b>Σ</b>	<b>Pressure shaft complete</b>	<b>243 265</b>			
1	Contact lever	243 262	3	Shaft	211112
a	Pressure roller	243 551	4	Spacing ring	030 689
b	Pressure roller	243 552	500	Setting pin 8x34	020 699
c	Knurled screw	242 331	501	Locking ring 24x1.2	020 975
511	Locking ring 12x1	020 951	502	Needle roller bearing NA4901	021 746
2	Contact lever on the left	243 263			
a	Pressure roller	243 551			



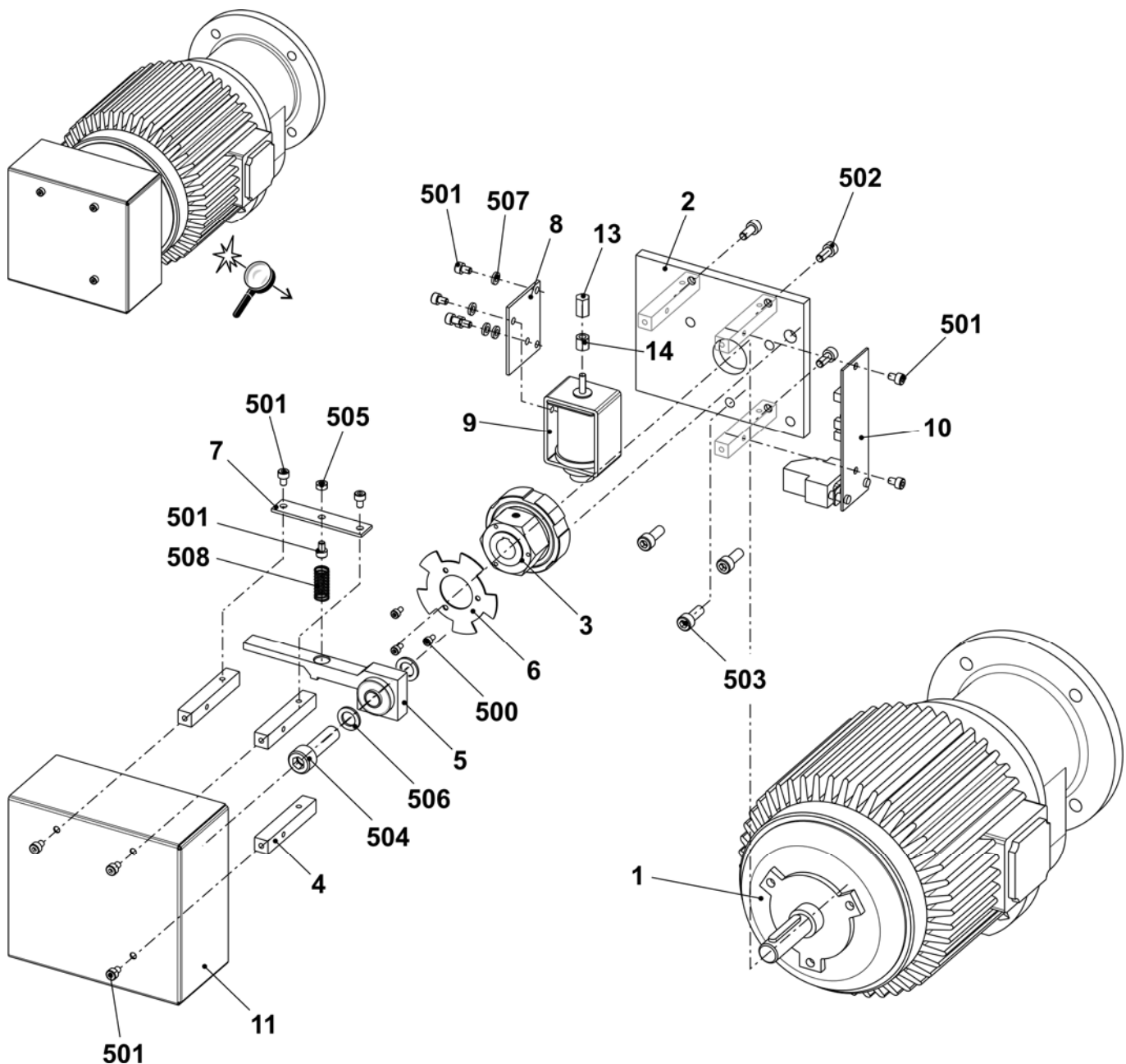
## Take-down gear assembly

Pos	Designation	ID No.	Pos	Designation	ID No.
<b>Σ</b>	<b>Take-down gear assembly complete</b>		506	Washer 6.4x12x0.3	022 737
1	Main bearing	204 292	507	Hexagon screw M6x16	020 356
2	Bearing housing	204 293	509	Locking ring 80x2.5	023 225
3	Slider	204 314	511	Shoulder screw M5x11x17	204 318
4	Driver sleeve	204 313	512	Shoulder screw M5x8x8	020 247
6	Strap	204 323	513	Shoulder screw M5x12.5x29-5.8	204 317
7	Ramp	209 281	518	Hexagon nut M6-04	020 855
8	Drive shaft	211 127	520	Locking ring 35x1.5	023 139
10	Roll	207 077	521	Locking ring 62x2	020 986
11	Microswitch	026 259	523	Supporting disk S 14x20x1.5	023 223
12	Insulating disk	048 012	525	Tension spring 6x0.65x20	021 187
13	Sleeve	207 078	527	Grooved ball bearing 6007-2	023 140
14	Damping pin	200 919	529	Hexagon screw M10X20	020 366
500	Cap screw M3x15	020 009	532	Shoulder screw M6x17x24-5.8	023 178
502	Cap screw M5x10	022 918	535	Shim ring 50x62x0.5	023 226
503	Cap screw M8X12	023 138	536	Hexagon screw M8x20	020 361



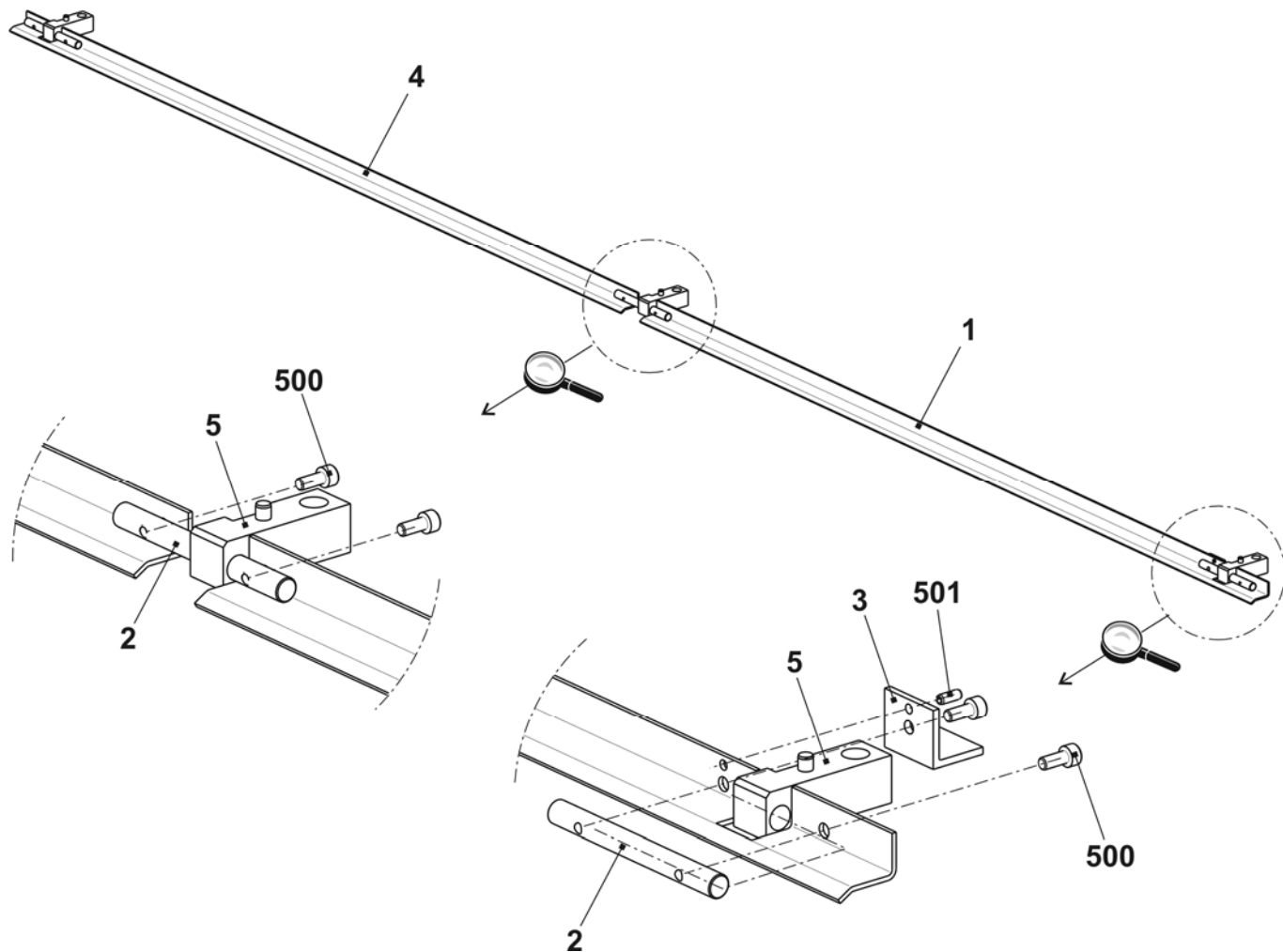
## Take-down motor with block

Pos	Designation	ID No.	Pos	Designation	ID No.
<b>Σ</b>	<b>Take-down motor with block</b>				
1	Motor of main take-down	217 602	13	Thrust piece	202 940
2	Base plate	204 643	14	Nut	202 941
3	Hub switching ring	208 934	500	Cap screw M3x6-12.9	022 589
4	Bolt	202 933	501	Cap screw M4x6	023 067
5	Catch complete	211 560	502	Cap screw M5x12	020 132
6	Impulse disc WA1	202 751	503	Cap screw M6x16	020 135
7	Bridge	202 936	504	Cap screw M10x1x35	023 364
8	Plate	205 139	505	Hexagon nut M4-6	020 834
9	Catch magnet	026 042	506	Shim ring 10x16x1.5	023 261
10	Card for impulse giver of rotary field motor	300 487	507	Serrated lock washer	022 482
11	Cover	244 448	508	Compression spring 0.7x8.8x35	023 028

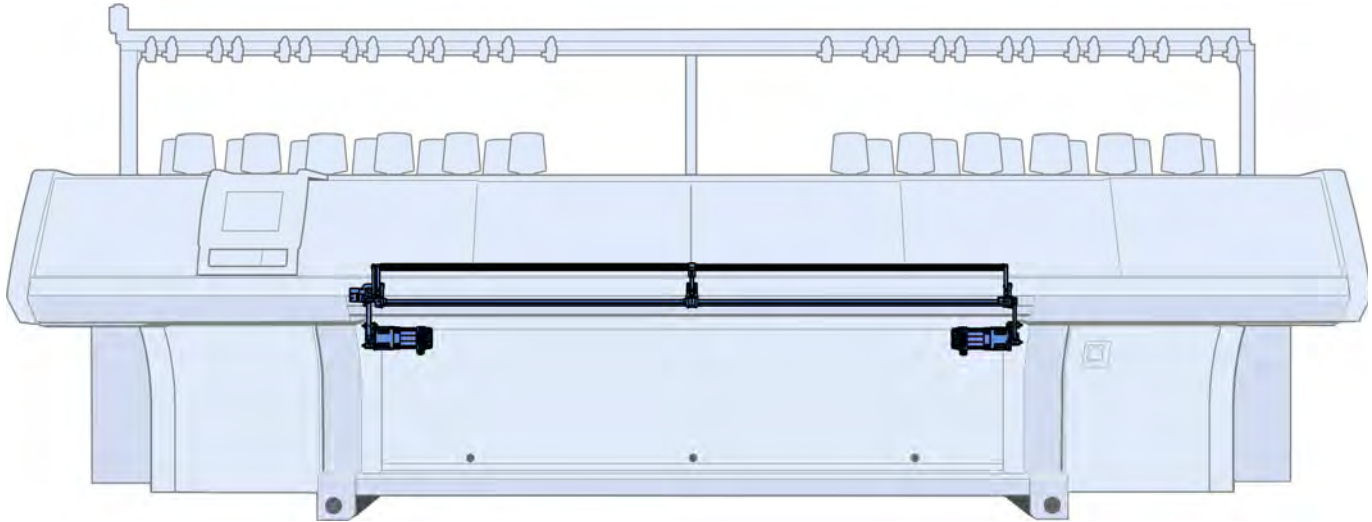


## Fabric stripper

Pos	Designation	ID No.	Pos	Designation	ID No.
<b>Σ</b>	<b>Fabric stripper</b>	<b>211 207</b>	4	Stripping plate on the left	211 151
1	Stripping plate on the right	211 150	5	Bearing	211 152
2	Axle	211 218	500	Cap screw M5x12	020 132
3	Lever	211 215	501	Spring dowel sleeve 4x10	020 781

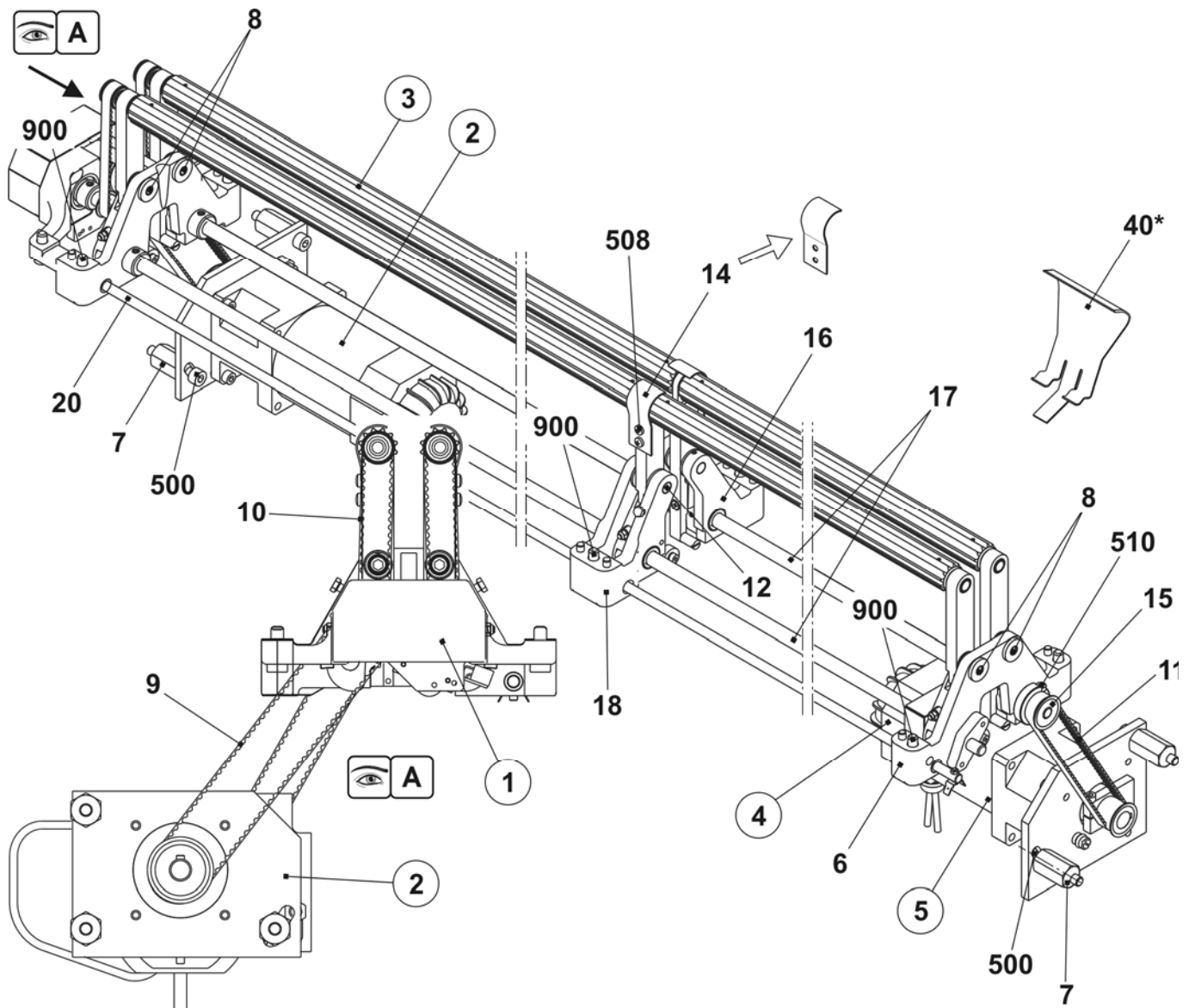


# Auxiliary take-down



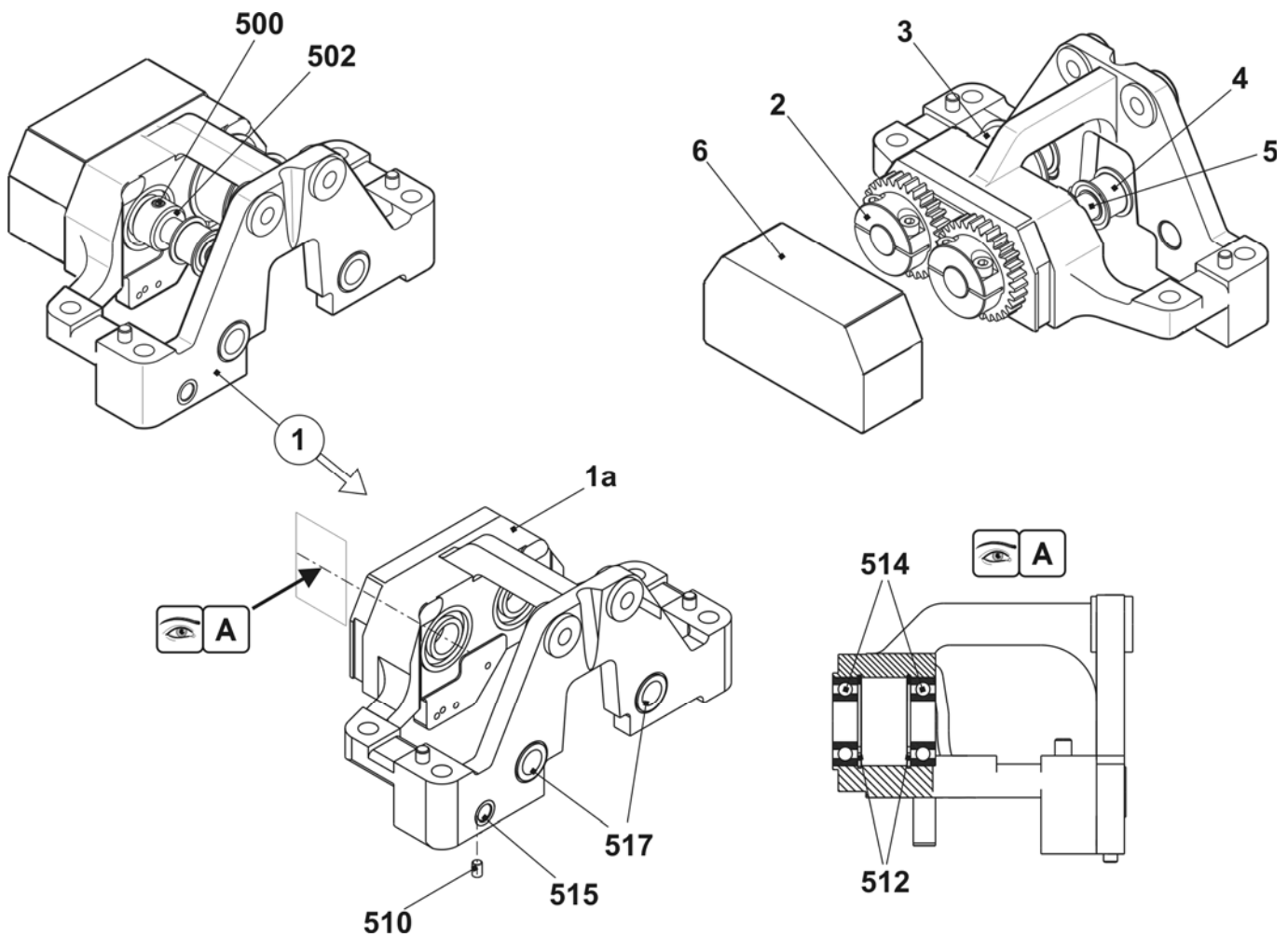
## Auxiliary take-down

Pos	Designation	ID No.	Pos	Designation	ID No.
$\Sigma$	<b>Auxiliary take-down</b>	<b>239 084</b>	12	Bolt	225 782
1	Main bearing complete	239 081	14	Cover	211 093
2	Motor biphas complete	239 056	15	Timing belt pulley Z16 T5	207 575
3	Take-down roller complete	227 517	16	Bearing at the rear in the middle	227 520
4	Gear	211 204	17	Shaft	210 869
5	Motor biphas complete	239 073	18	Bearing at the front and in the middle	227 524
6	Bearing on the right	227 522	20	Contact rod	211 195
7	Stay bolt	238 991	40*	Fabric sensor	208 200
8	Bolt	227 363	500	Cap screw M8X20	020 141
9	Toothed belt 16t5/525	207 635	508	Countersunk screw M4x8	023 036
10	Toothed belt 10t5/280	207 633	510	Cap screw M5x16-8.8	023 141
11	Toothed belt 10t5/420	239 036	900	Cap screw M8x35	020 144



## Main bearing

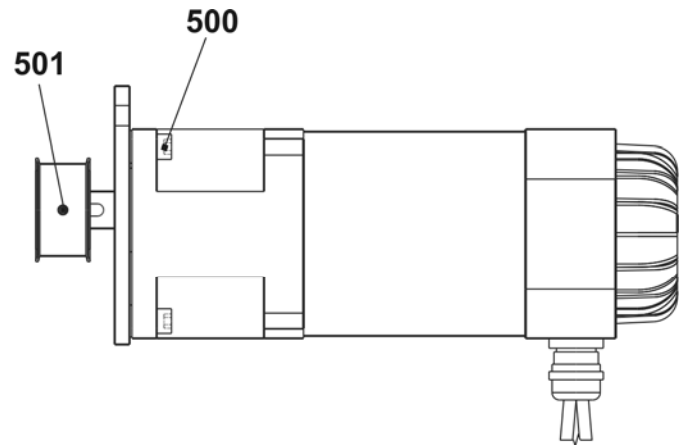
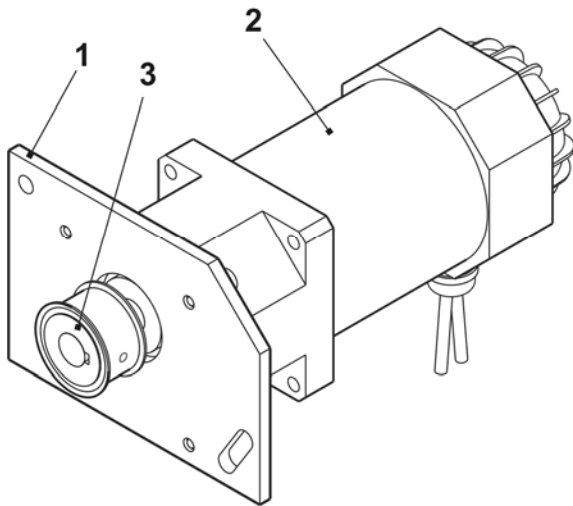
Pos	Designation	ID No.	Pos	Designation	ID No.
<b>Σ</b>	<b>Main bearing complete</b>	<b>239 081</b>			
1	Main bearing pre-assembled	227 529	2	Gear wheel	209 428
A1	Main bearing	210 610	3	Timing belt pulley	209 436
510	Set screw M5x6	022 580	4	Timing belt pulley	210 555
512	Locking ring 32x1.2	023 355	5	Shaft	211 141
514	Deep groove ball bearing 6002-2ZY	023 217	6	Cover	211 357
515	Slide bearing MSM-0812-08	023 353	500	Set screw M6x5	023 192
517	Slide bearing GFM -121418-10	023 352	502	Set collar A12	020 935





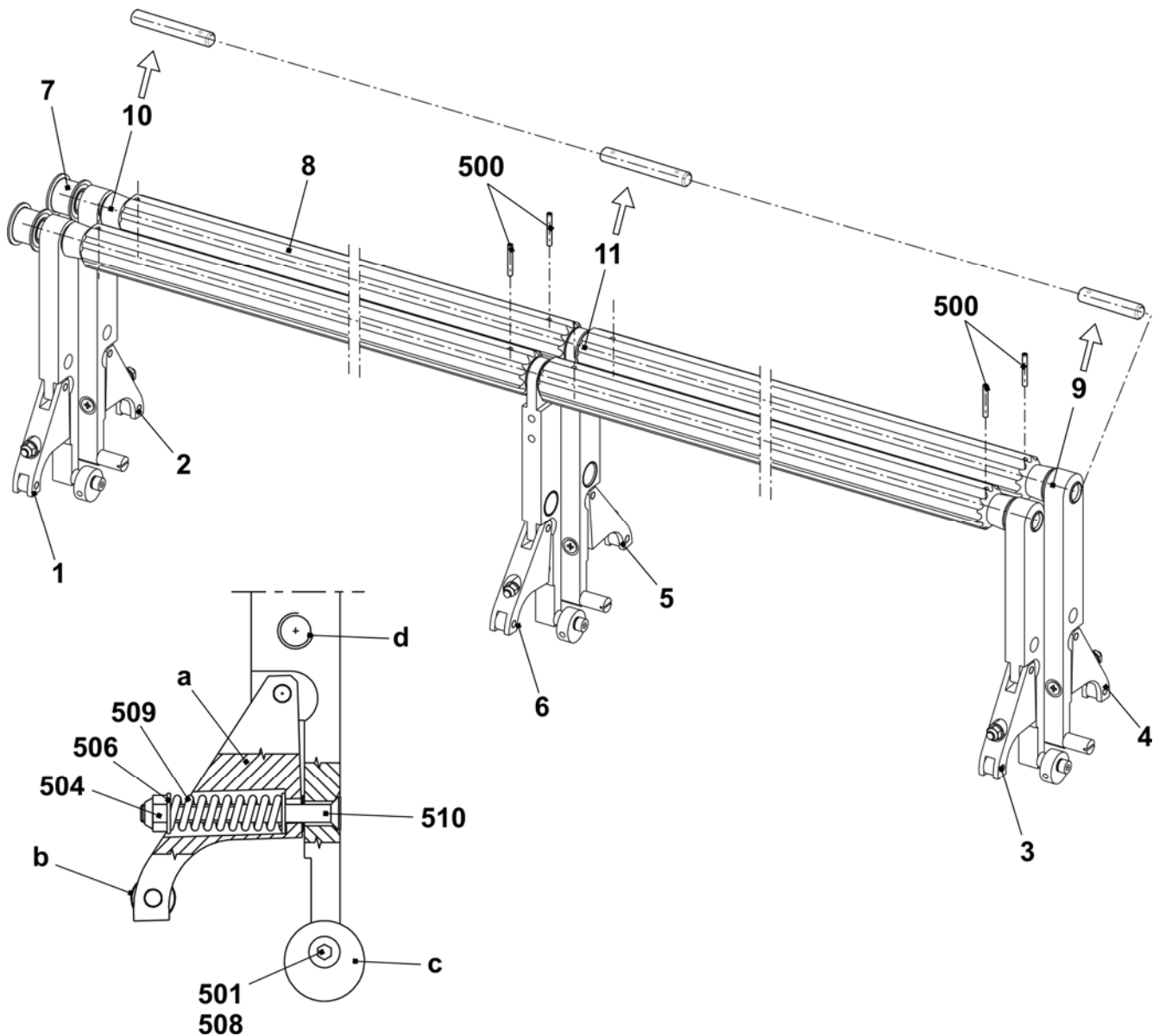
## Motor on the left

Pos	Designation	ID No.	Pos	Designation	ID No.
$\Sigma$	<b>Motor biphase complete</b>	<b>239 056</b>	3	Timing belt pulley	238 060
1	Motor plate	238 061	500	Cap screw M6x16	020 135
2	Motor	234 805	501	Set screw M4x6	023 088



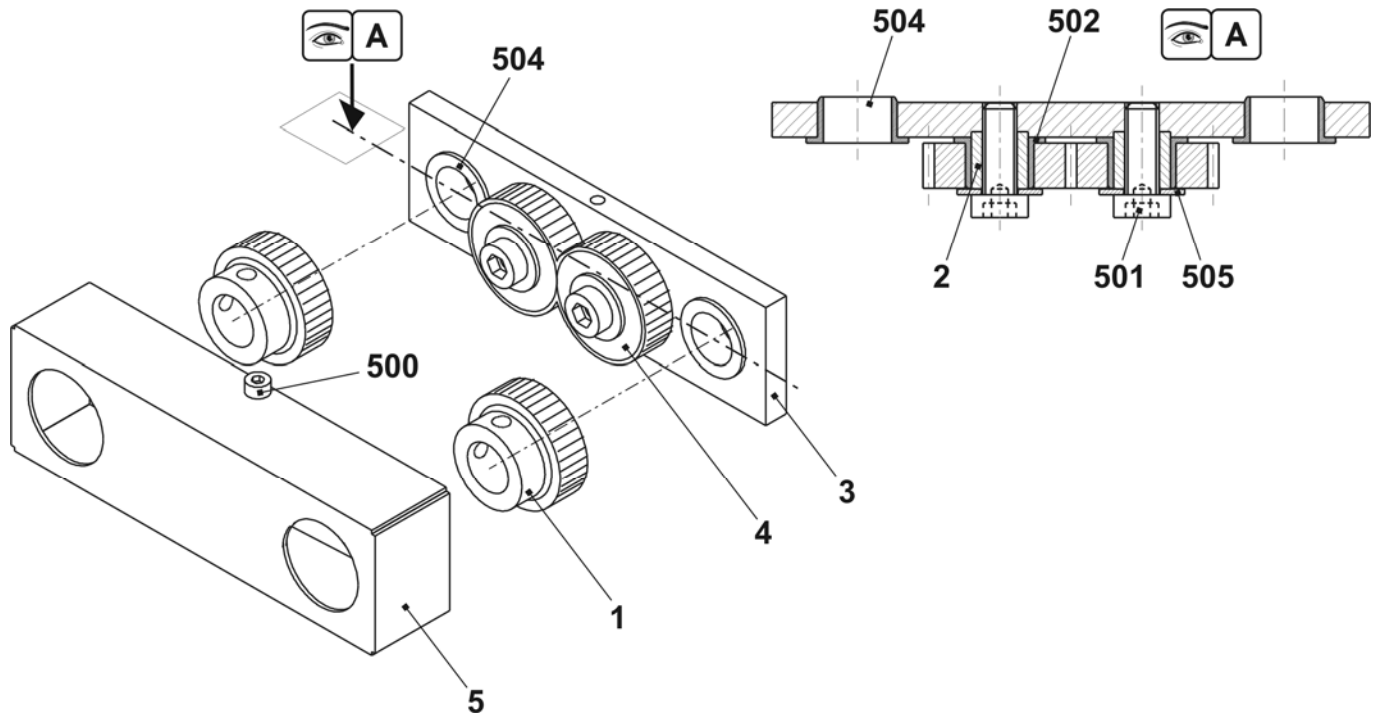
## Take-down roller

Pos	Designation	ID No.	Pos	Designation	ID No.
<b>Σ</b>	<b>Take-down roller complete</b>	<b>227 517</b>			
1	Lever at the front on the left complete	227 511	500	Spring dowel sleeve 3x20	020 776
2	Lever at the rear on the left complete	227 512	1-6	a Toggle	208 434
3	Lever at the front on the right complete	227 515		b Roll	200 577
4	Lever at the rear on the right complete	227 516		c Eccentric	208 486
5	Lever at the rear in the middle complete	227 513		d Slide bearing	023 655
6	Lever at the front in the middle complete	227 514	501	Cap screw M4x20	023 171
7	Timing belt pulley	225 910	504	Hexagon nut M4-6	023 046
8	Take-down roller	225 783	506	Washer 4-200HV	020 870
9	Bolt	225 782	508	Circlip S4	022 774
10	Bolt	225 781	509	Compression spring 1.6x6.4x27.1	023 288
11	Bolt	225 536	510	Countersunk screw M4x45	023 291



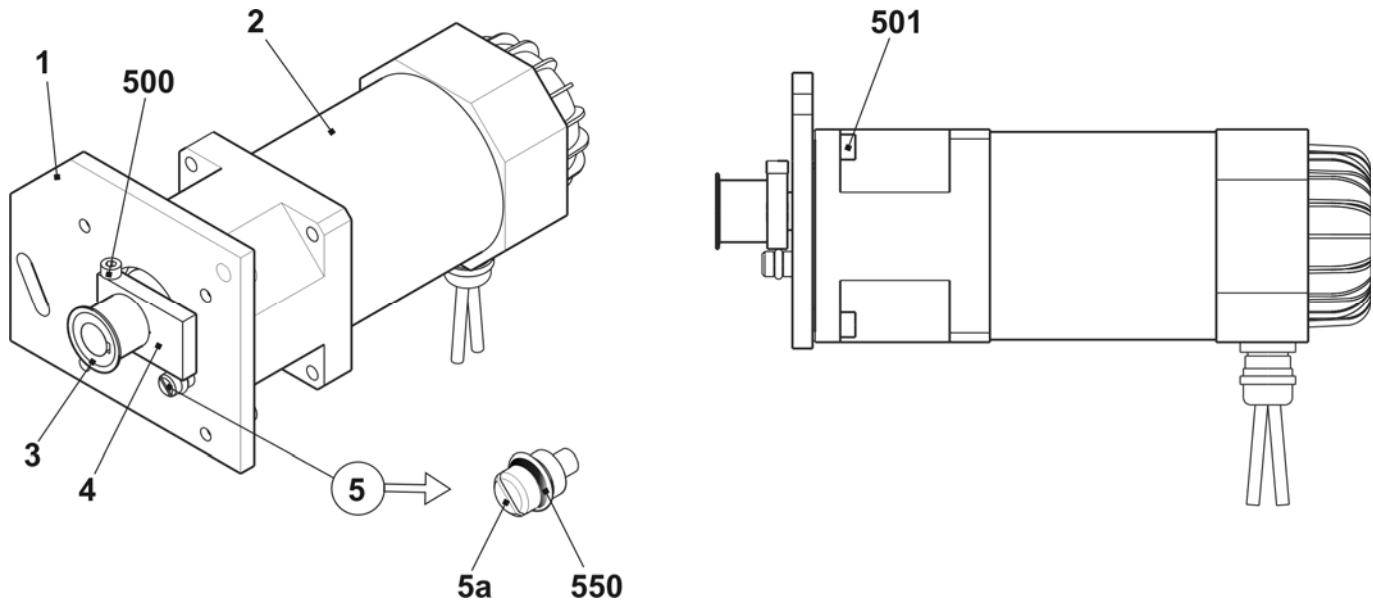
## Gear

Pos	Designation	ID No.	Pos	Designation	ID No.
<b>Σ</b>	<b>Gear</b>	<b>211 204</b>	500	Cap screw M3x6	022 589
1	Gear wheel	208 101	501	Cap screw M6x16	023 116
2	Sleeve	211 136	502	Slide bearing GFM-101216-09	023 356
3	Strap	211 134	504	Slide bearing GFM-121418-08	023 281
4	Gear wheel	211 138	505	U-washer 6.4x15x1	020 902
5	Shrouding cover	211 139			

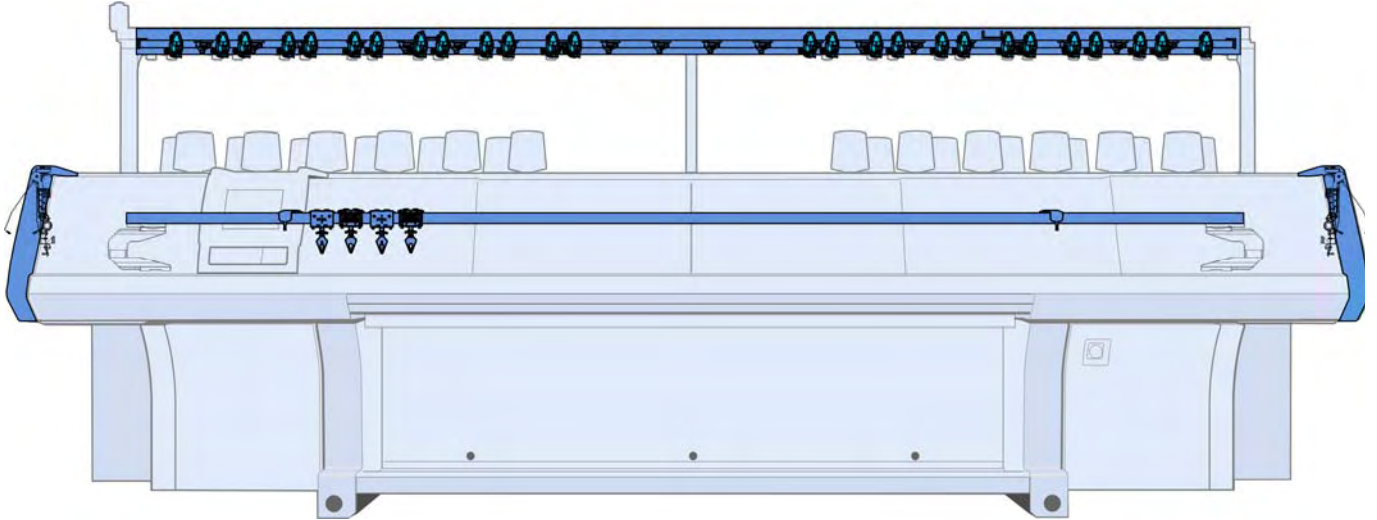


## Motor on the right

Pos	Designation	ID No.	Pos	Designation	ID No.
<b>Σ</b>	<b>Motor biphase complete</b>	<b>239 073</b>	5	Stop point complete	208 921
1	Plate for motor	238 069	A5	Stop point	207 617
2	Motor	234 805	550	O-ring 6x3	022 856
3	Timing belt pulley Z16 T5	238 086	500	Cap screw M5x25	023 523
4	Clamping lever	238 084	501	Cap screw M6x16	020 135

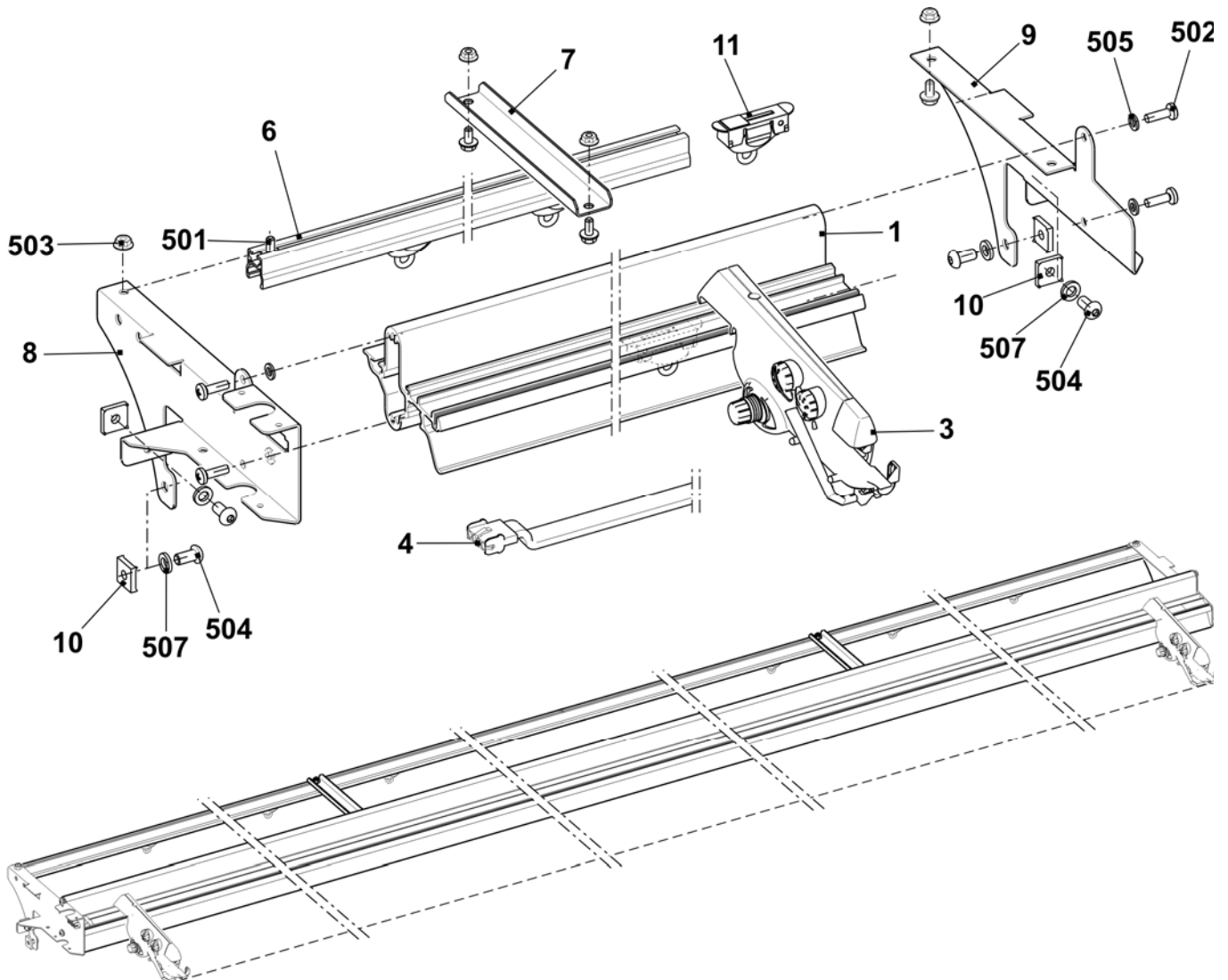


# Yarn delivery device



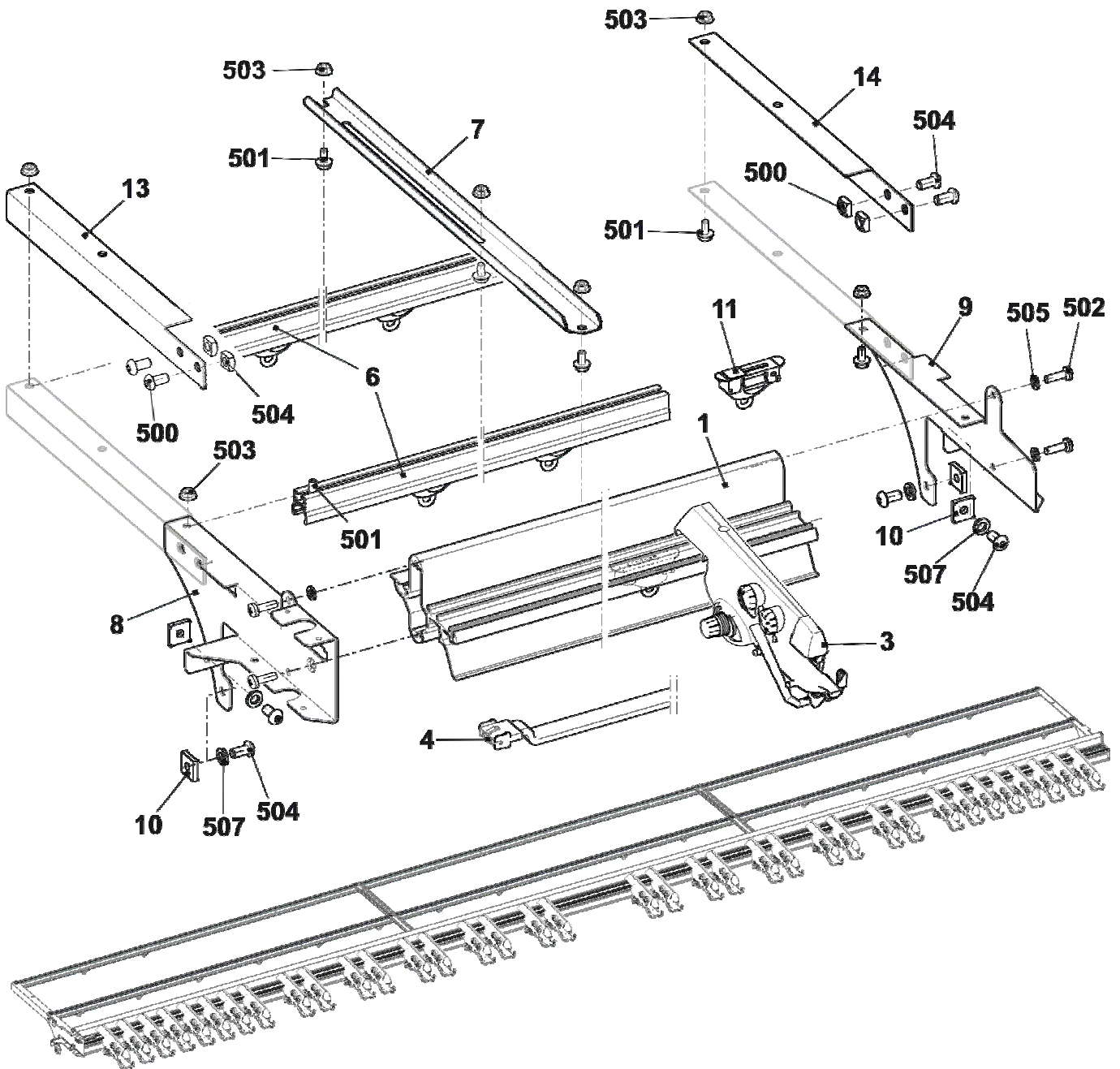
## Yarn guide system from 26 up to 30 FKE

Pos	Designation	ID No.	Pos	Designation	ID No.
<b>Σ</b>	<b>Yarn guide system 26 FKE 933</b>	<b>242 722</b>			
	<b>Yarn guide system 30 FKE 933</b>	<b>242 723</b>			
1	Support	243 114	10	Sliding block	228 851
3	Yarn control device	237 124	11	Yarn guide bracket complete	241 581
4	Connection cable FKE 3 96"	240 350	501	Self-locking screw M6x12	023 415
6	Yarn guide bar	242 431	502	Screw CE M6x16	023 678
7	Support	243 792	503	Ribbed lock washer M6-10	023 414
8	Support on the left	243 600	504	Countersunk screw M8x16	023 113
9	Support on the right	243 601	505	Washer 6-200hv	022 431
			507	Serrated lock washer J8.4	023 388



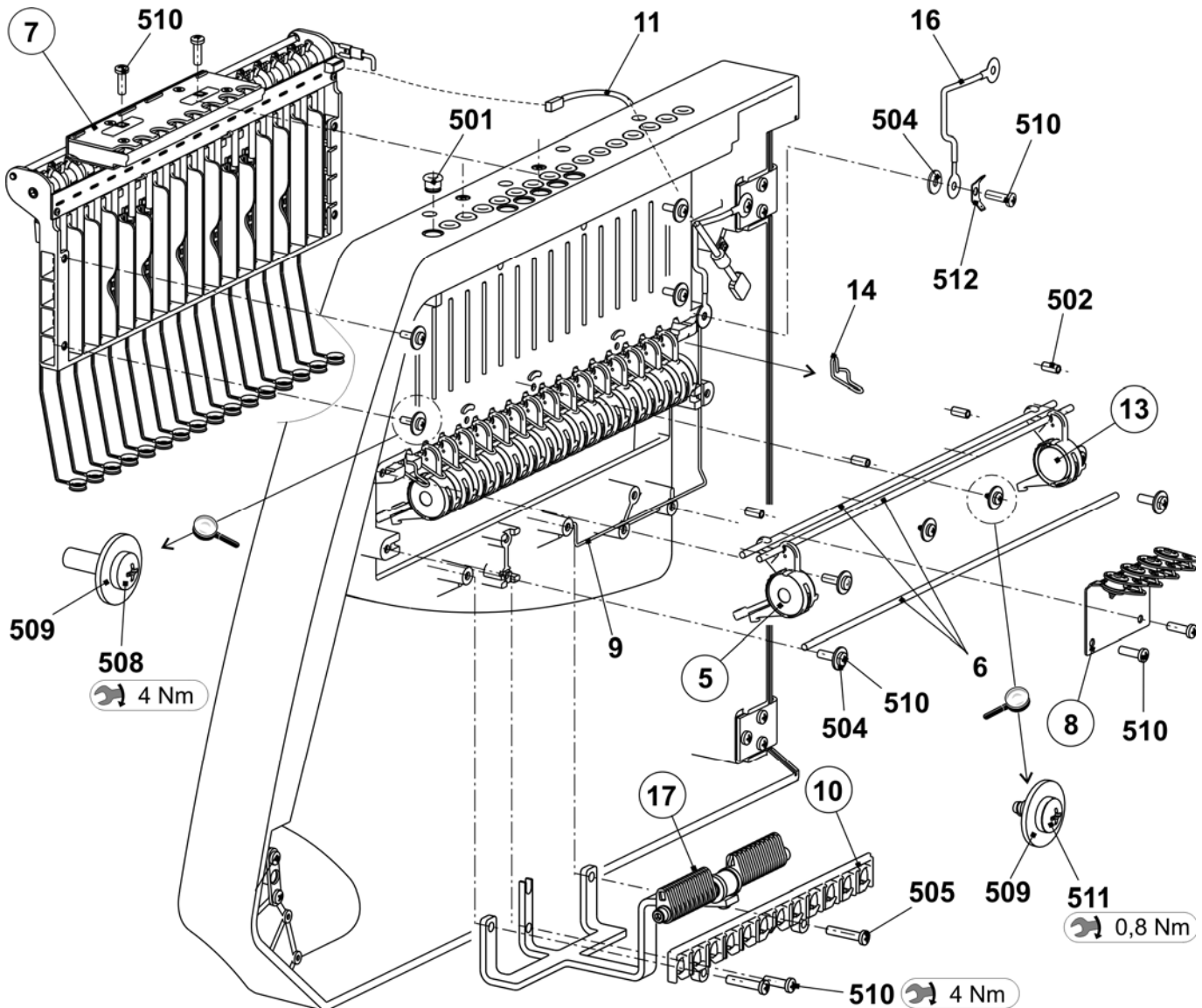
## Yarn guide system with 36 FKE

Pos	Designation	ID No.	Pos	Designation	ID No.
<b>Σ</b>	<b>Yarn guide system 36 FKE 933</b>	<b>242 447</b>			
1	Support	243 114	13	Support on the left	243 609
3	Yarn control device	237 124	14	Support on the right	243 610
4	Connection cable FKE 3 96"	240 350	500	Square nut M8	023 269
6	Yarn guide bar	242 431	501	Self-locking screw M6x12	023 415
7	Support	243 766	502	Screw CE M6x16	023 678
8	Support on the left	243 600	503	Ribbed lock washer M6-10	023 414
9	Support on the right	243 601	504	Countersunk screw M8x16	023 113
10	Sliding block	228 851	505	Washer 6-200hv	022 431
11	Yarn guide bracket complete	241 581	507	Serrated lock washer J8.4	023 388



## Left yarn guide

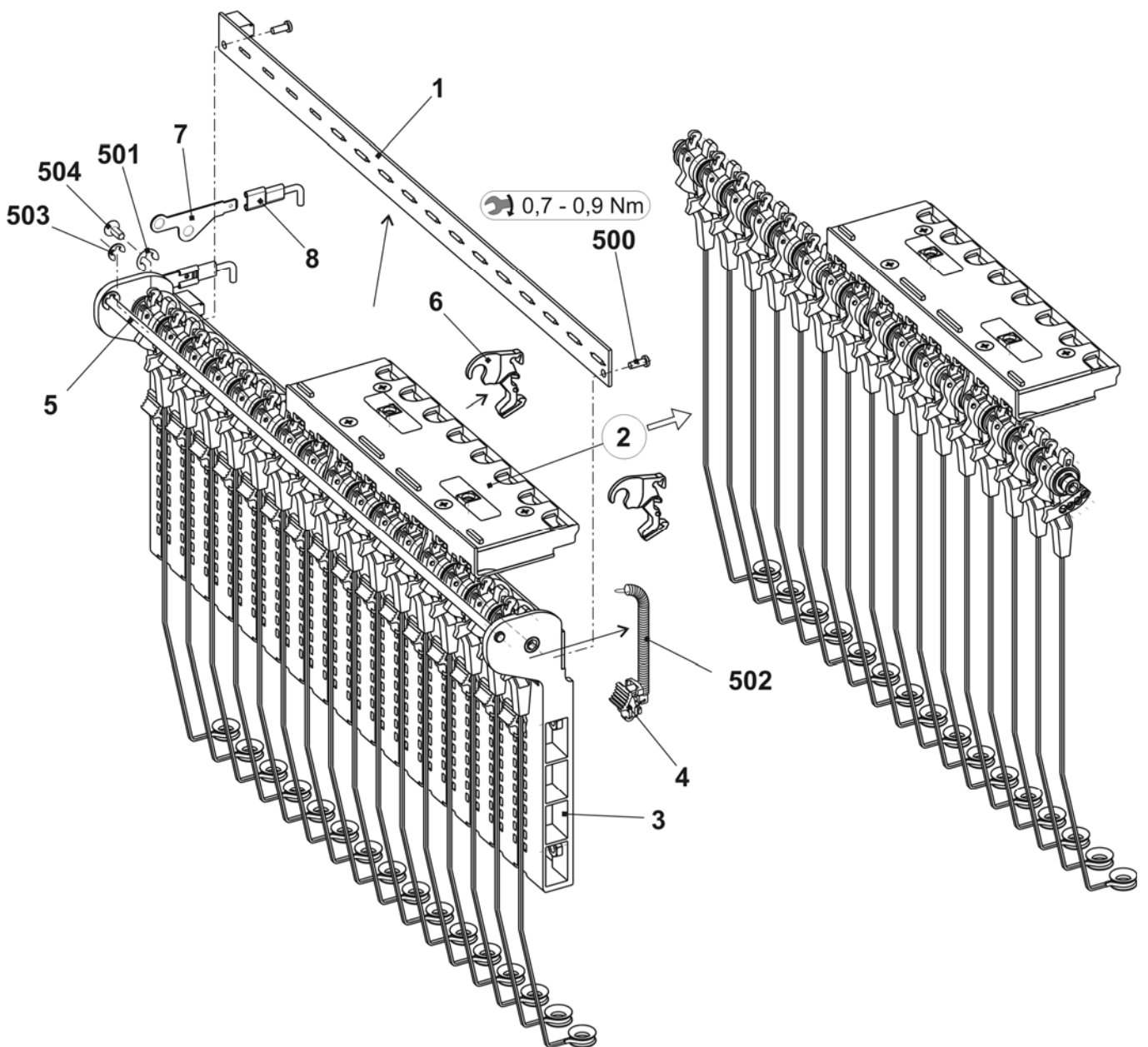
Pos	Designation	ID No.	Pos	Designation	ID No.
<b>Σ</b>	<b>Safety cover on the left complete</b>				
	<b>E5 + E3.5.2 + E5.2 + E5m.4 + E7m.5</b>	<b>242 387</b>	13	Yarn brake not adjustable	244 356
	<b>E7 + E8 + E6.2 + E7m.8 + E8m.7</b>	<b>242 388</b>	14	Clamping bow	244 409
	<b>E10 + E12 + E14 + E16 + E7.2 + E8.2 + E10m.12 + E12m.10</b>	<b>242 389</b>	16	Ground cable	244 404
5	Yarn brake complete	244 347	17	Yarn guide inside	250 412
6	Shaft	241 318	501	Ceramic eyelet	240 640
7	Yarn tensioner on the left complete E5	242 994	502	Compression spring 0.90x5.40x13.60	241 360
	Yarn tensioner on the left complete E7-8	242 996	504	U-washer	022 537
	Yarn tensioner on the left complete E10-18	242 997	505	Screw KB60x30	237 683
8	Deflector on the left complete	223 316	508	Countersunk screw M5x16	023 187
9	Wire bow on the left	241 370	509	Disc 503x18x1.5	020 909
10	Yarn deflector	242 011	510	Screw KB 60x20	237 682
11	Connection cable yarn E10 + E12 + E14 + E16 + E18 + E7.2 + E8.2 + E9.2 + 10m.12 + E6.2(12m.10) + E14/12tensioner OKC	240 808	511	Sheet metal screw ST4.8x9.5-F	242 374
			512	Flat connector 2x45° M6	243 117





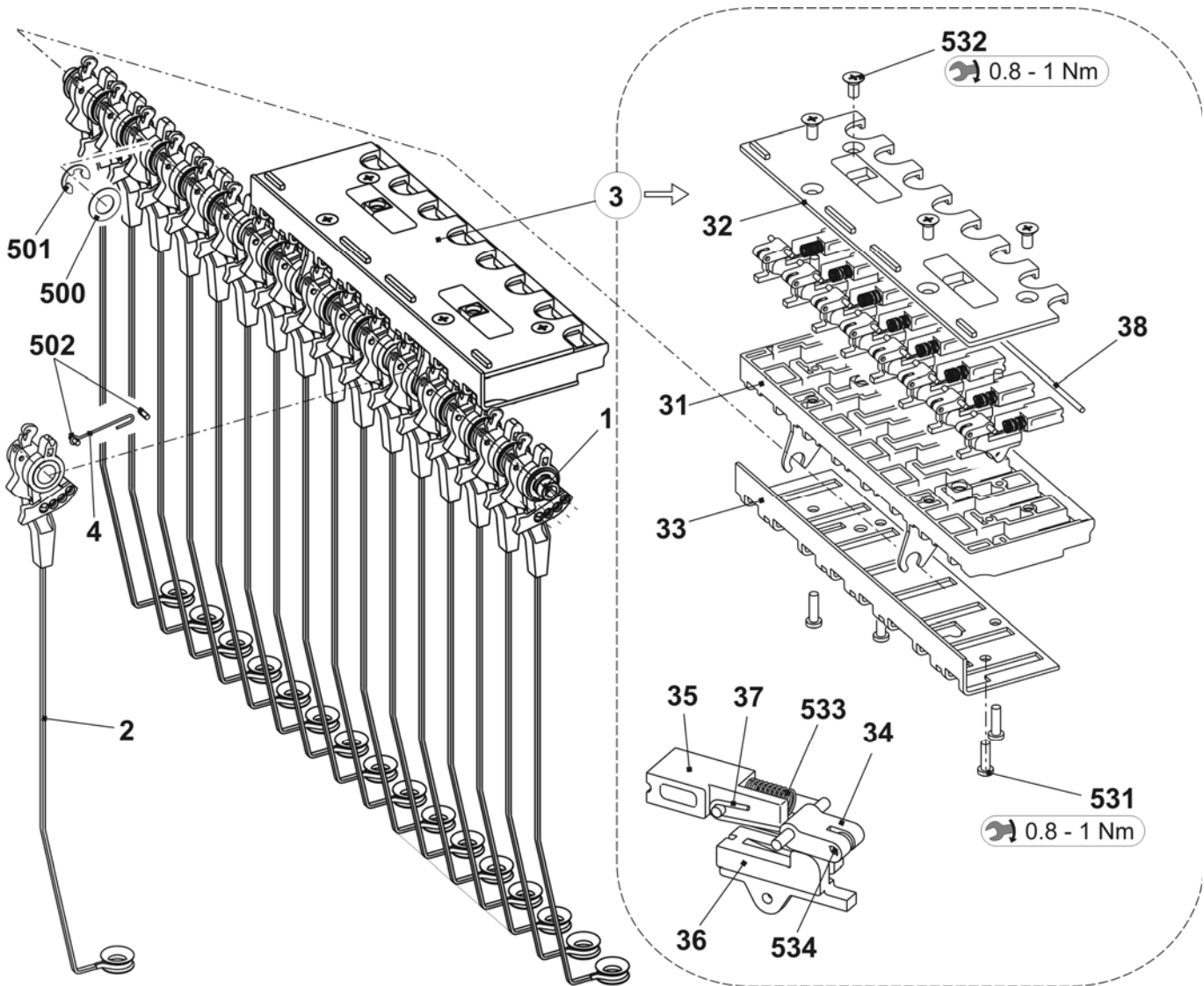
## Left yarn tensioner

Pos	Designation	ID No.	Pos	Designation	ID No.
<b>Σ</b>	<b>Yarn tensioner on the left complete</b>		6	Spacer	242 048
	<b>E5 + E5m.4 + E7m.5 + E3,5.2</b>	<b>242 994</b>	7	Grounding sheet metal of tension axle	243 121
	<b>E7 + E8 + E7m.8 + E8m.7 + E6.2</b>	<b>242 996</b>	8	Ground cable yarn tensioner OKC	243 105
	<b>E10 + E12 + E14 + E16 + E10m.12 + E12m.10 + E7.2 + E8.2</b>	<b>242 997</b>	500	Screw KB30x8	236 228
1	Card yarn tensioner 16-fold on the left	241 345	501	Circlip 6	021 022
2	Tension axle on the left complete (E5 – 8)	242 995	502	Tension spring	
	Tension axle on the left complete (E10 – 14)	242 998		Tension spring 5.05x0.55x53 (E5)	023 502
3	Housing	241 367			Tension spring 4.9x0.5x53 (E7-E8)
4	Slider	241 694		Tension spring 4.9x0.45x53 (E10-E14)	023 504
5	Stop point	241 368	503	Circlip	021 020
			504	Countersunk screw M4x10	241 914



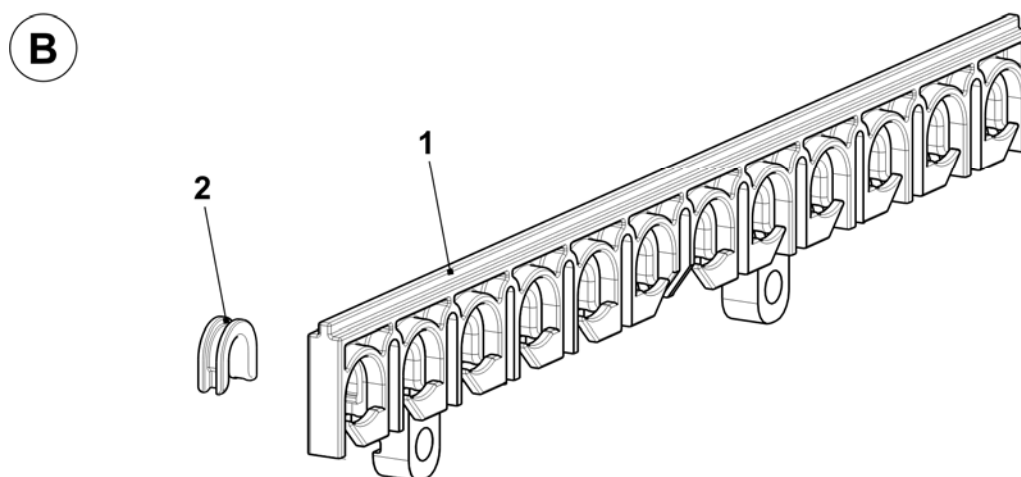
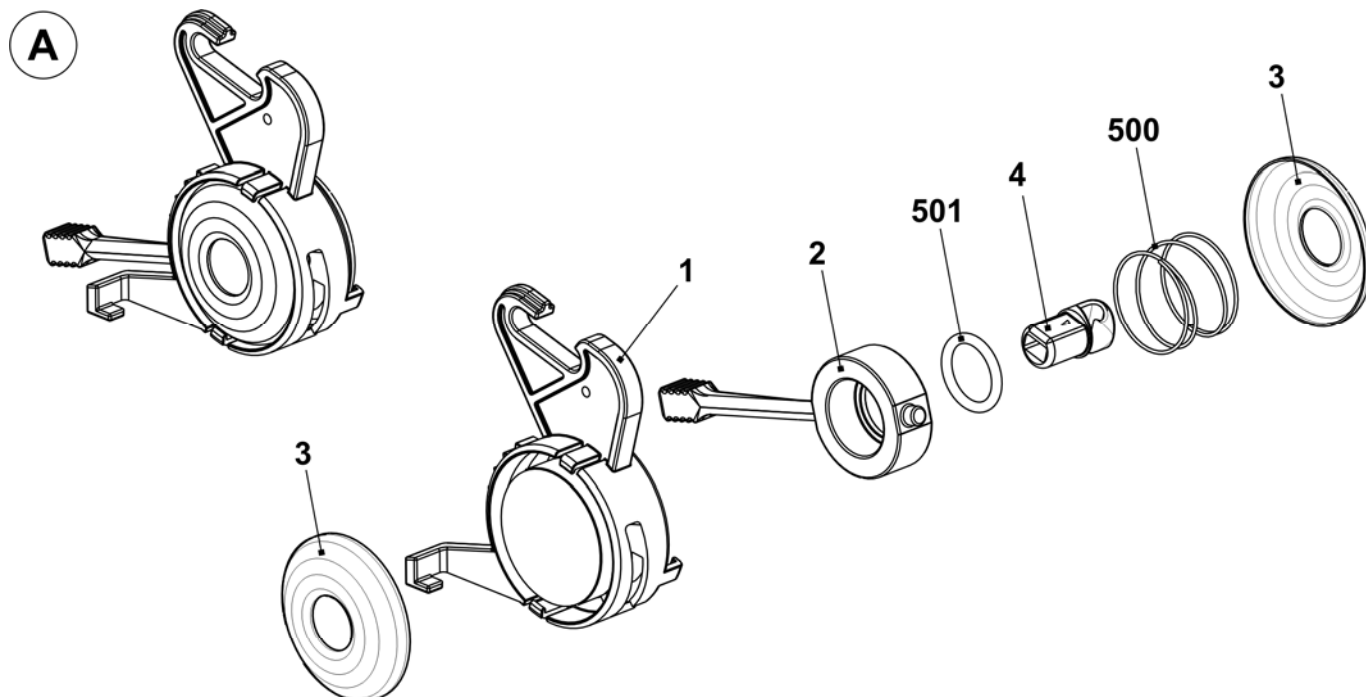
# Left tension axle

Pos	Designation	ID No.	Pos	Designation	ID No.
<b>Σ</b>	<b>Tension axle on the left complete</b>				
	<b>E5 + E7 + E8 + E5m.4 + E7m.5 + E7m.8 + E8m.7 + E3,5.2 + E5.2 + E6.2 +</b>	<b>242 995</b>	31	Housing AKF	238 689
	<b>E10 + E12 + E14 + E16 + E10m.12 + E12m.10 + E7.2 + E8.2</b>	<b>242 998</b>	32	Cover AKF	237 926
1	Axle	243 107	33	Sheet metal at the bottom (housing AKF)	240 719
2	Tension arm pre-assembled E5 – E8	242 995	34	Lever AKF	238 692
	Tension arm pre-assembled E10 – E18	242 998	35	Thrust piece AKF	238 690
4	Wire bow	238 694	36	Slider AKF	238 691
500	Adjusting washer 4x8x0 8x14x0,5	023 501	37	Wire bow	238 694
501	Circlip	021 022	38	Wire	237 940
502	Grooved pin 2x6	243 172	531	Screw KB 35x12	237 681
3	Thread clamp AKF	238 695	532	Screw KB 40x8	236 227
			533	Compression spring 0.30x4.50x18.50	241 437
			534	Grooved pin 2x6	243 172



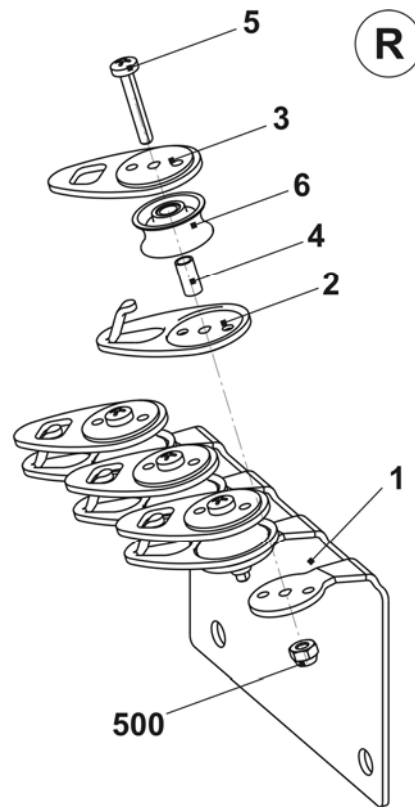
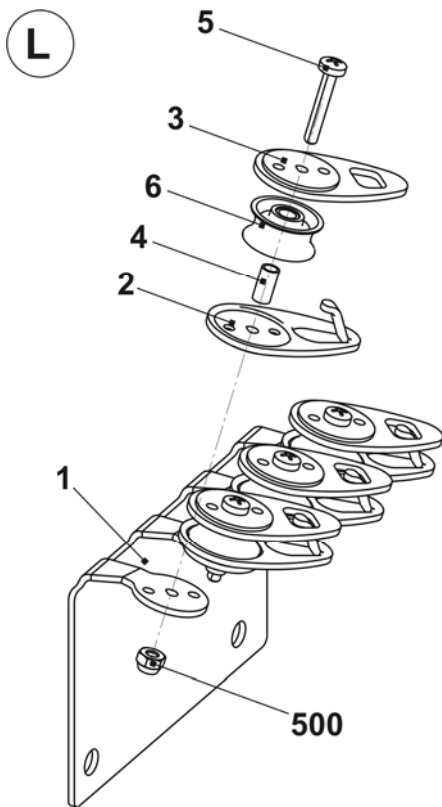
## Yarn brake and yarn deflector

Pos	Designation	ID	Pos	Designation	ID
<b>A</b>	<b>Yarn brake complete</b>	<b>244 347</b>	<b>B</b>	<b>Yarn deflector</b>	<b>242 011</b>
1	Support	240 607	1	Support yarn deflector	242 009
2	Slider	240 606	2	Ceramic eyelet open	240 733
3	Brake disk	244 355			
4	Ceramic eyelet open	243 778			
500	Compression spring 0.65x20.15x14.80	241 361			
501	O-ring 11x2	241 434			



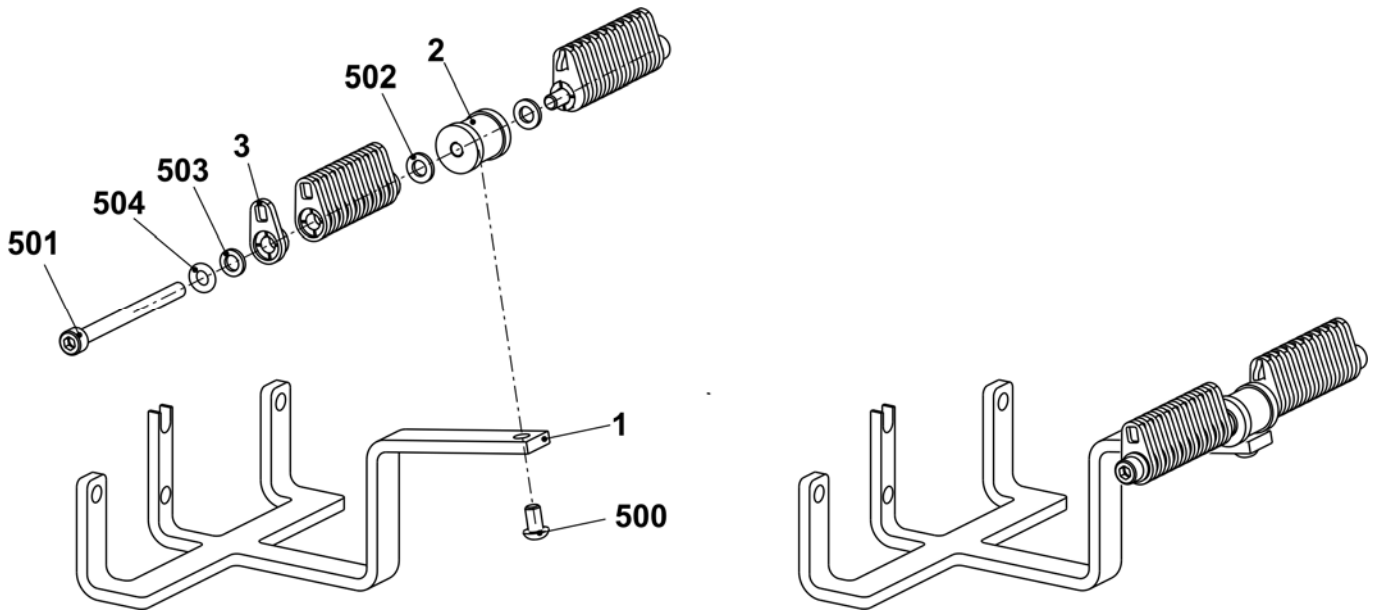
## Deflector

Pos	Designation	ID No.	Pos	Designation	ID No.
<b>Σ</b>	<b>Deflector on the left</b>	<b>223 316</b>	<b>Σ</b>	<b>Deflector on the right</b>	<b>223 049</b>
1	Roller support on the left	223 312	1	Roller support on the right	223 044
2	Yarn holder	217 362	2	Yarn holder	217 362
3	Yarn holder	217 363	3	Yarn holder	217 363
4	Sleeve	219 222	4	Sleeve	219 222
5	Screw	223 298	5	Screw	223 298
6	Roller deflector	218 805	6	Roller deflector	218 805
500	Hexagon nut M3-6	022 884	500	Hexagon nut M3-6	022 884



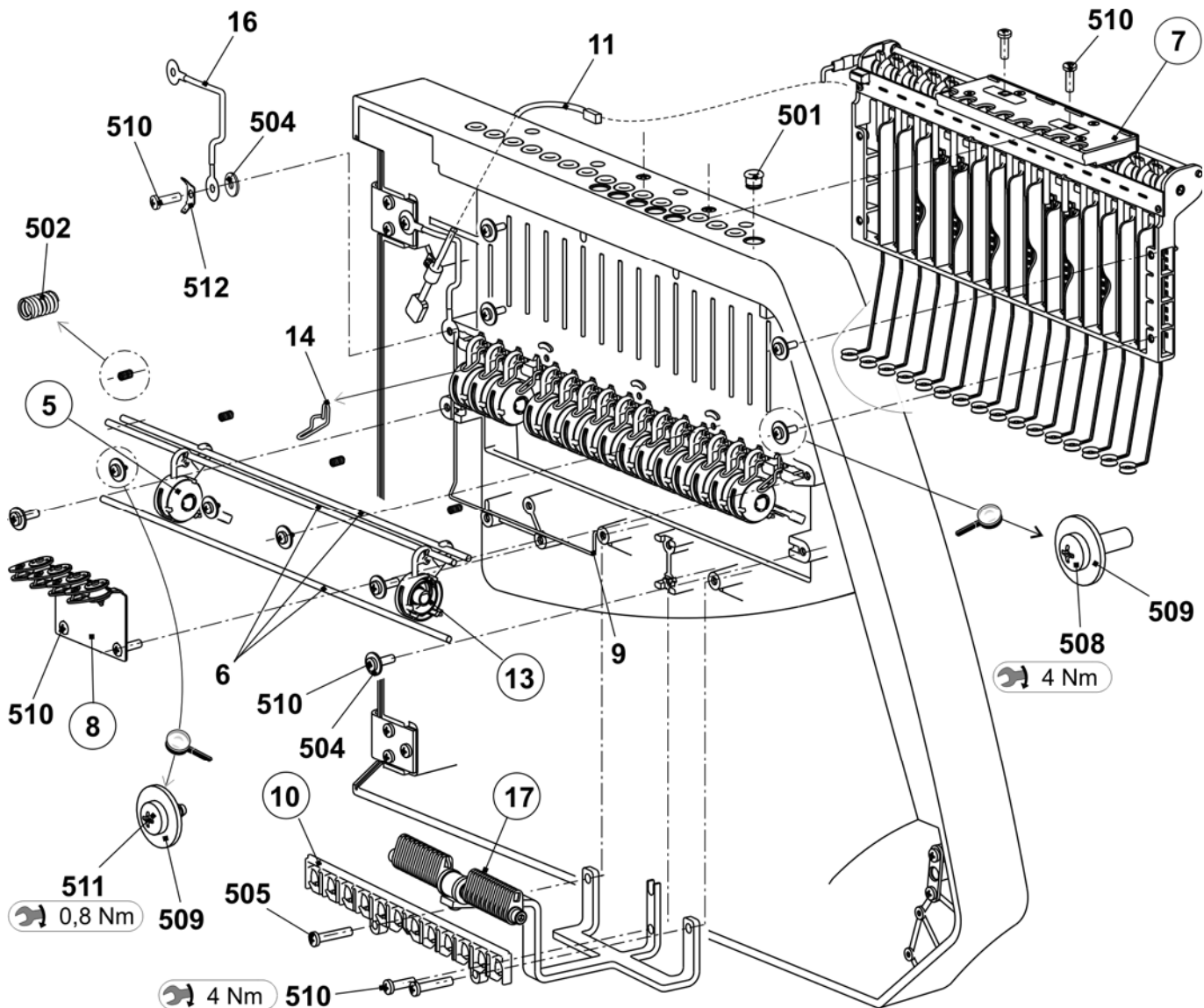
## Yarn guide inside

Pos	Designation	ID No.	Pos	Designation	ID No.
<b>Σ</b>	<b>Yarn guide inside</b>	<b>250 412</b>			
1	Holding bow	250 413	501	Cap screw M6x75	022 956
2	Bolt	214 894	502	U-washer 6	022 853
3	Yarn carrier MH 6	200 127	503	U-washer 6	020 881
500	Countersunk screw M6x10	023 183	504	O-ring 6x3	022 856



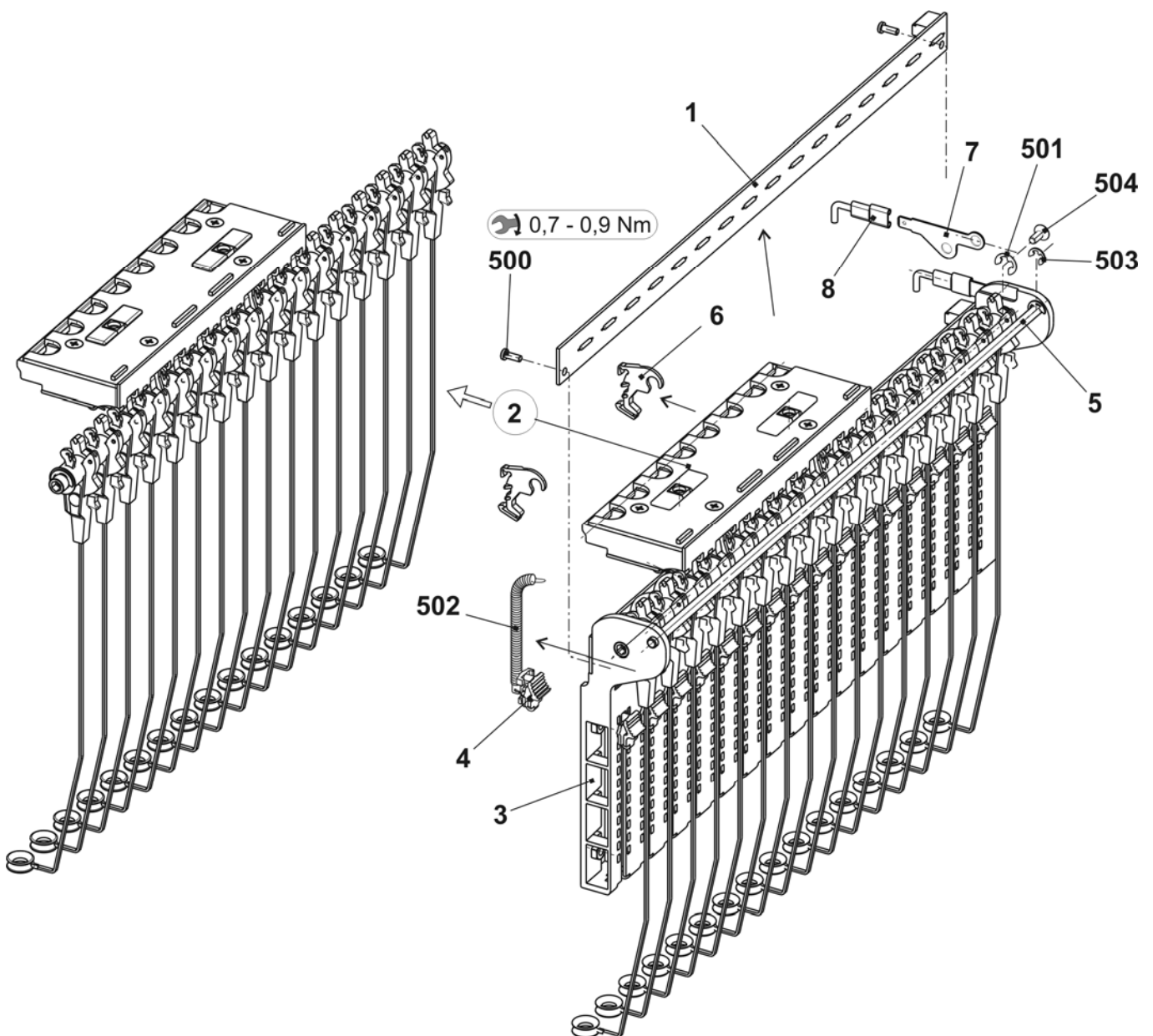
## Right yarn guide

Pos	Designation	ID No.	Pos	Designation	ID No.
Σ	<b>Safety cover on the right complete</b>		13	Yarn brake not adjustable	244 356
	<b>E5 + E3.5.2 + E5.2 + E5m.4 + E7m.5</b>	<b>242 390</b>	14	Clamping bow	244 409
	<b>E7 + E8 + E6.2 + E7m.8 + E8m.7</b>	<b>242 391</b>	16	Ground cable	244 404
	<b>E10 + E12 + E14 + E16 + E7.2 + E8.2 + E10m.12 + E12m.10</b>	<b>242 392</b>	17	Yarn guide inside	250 412
5	Yarn brake complete	244 347	501	Ceramic eyelet	240 640
6	Shaft	241 318	502	Compression spring 0.90x5.40x13.60	241 360
7	Yarn tensioner on the right complete E5	242 999	504	U-washer	022 537
	Yarn tensioner on the right complete E7-8	243 000	505	Screw KB60x30	237 683
	Yarn tensioner on the right complete E10-18	243 001	508	Countersunk screw M5x16	023 187
8	Deflector on the right complete	223 049	509	Disc 503x18x1.5	020 909
9	Wire bow on the right	241 369	510	Screw KB 60x20	237 682
10	Yarn deflector	242 011	511	Sheet metal screw ST 4.8x9.5-F	242 374
11	Connection cable yarn E10 + E12 + E14 + E16 + E18 + E7.2 + E8.2 + E9.2 + 10m.12 + E6.2(12m.10) + E14/12tensioner OKC	240 808	512	Flat connector 2x45° M6	243 117



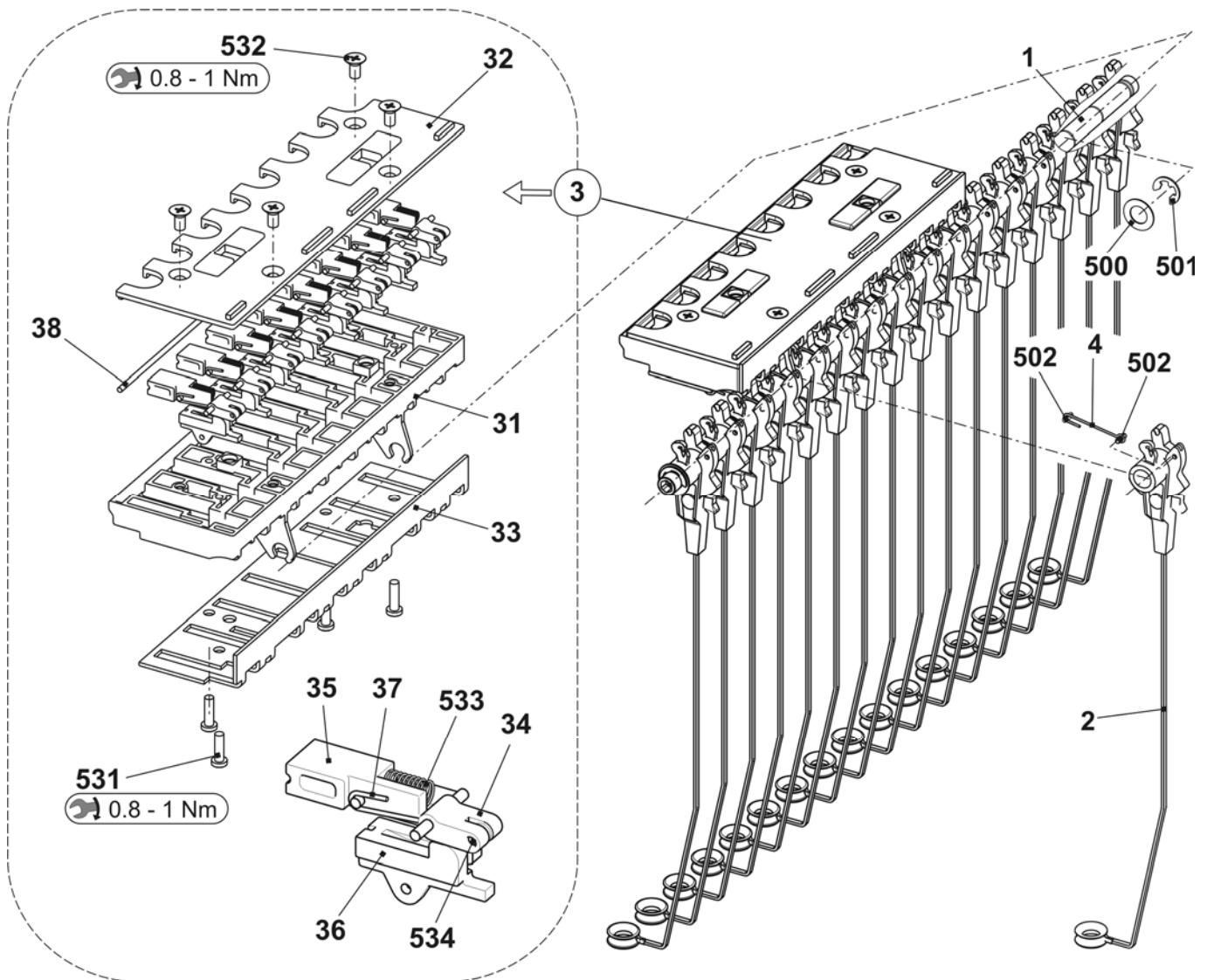
## Right yarn tensioner

Pos	Designation	ID No.	Pos	Designation	ID No.
<b>Σ</b>	<b>Yarn tensioner on the right complete</b>		6	Spacer	242 048
	<b>E5 + E5m.4 + E7m.5 + E3,5.2</b>	<b>242 999</b>	7	Grounding sheet metal of tension axle	243 121
	<b>E7 + E8 + E7m.8 + E8m.7 + E6.2</b>	<b>243 000</b>	8	Ground cable yarn tensioner OKC	243 105
	<b>E10 + E12 + E14 + E16 + E10m.12 + E12m.10 + E7.2 + E8.2</b>	<b>243 001</b>	500	Screw KB30x8	236 228
1	Card yarn tensioner 16-fold on the right	241 346	501	Circlip	021 022
2	Tension axle on the right complete E5-8	243 351	502	Tension spring	
	Tension axle on the right complete E10-14	243 352		Tension spring 5.05x0.55x53 (E3-E5)	023 502
3	Housing	241 367			Tension spring 4.9x0.5x53 (E7-E8)
4	Slider	241 694		Tension spring 4.9x0.45x53 (E10-E14)	023 504
5	Stop point	241 368	503	Circlip	021 020
			504	Countersunk screw M4x10	241 914



## Right tension axle

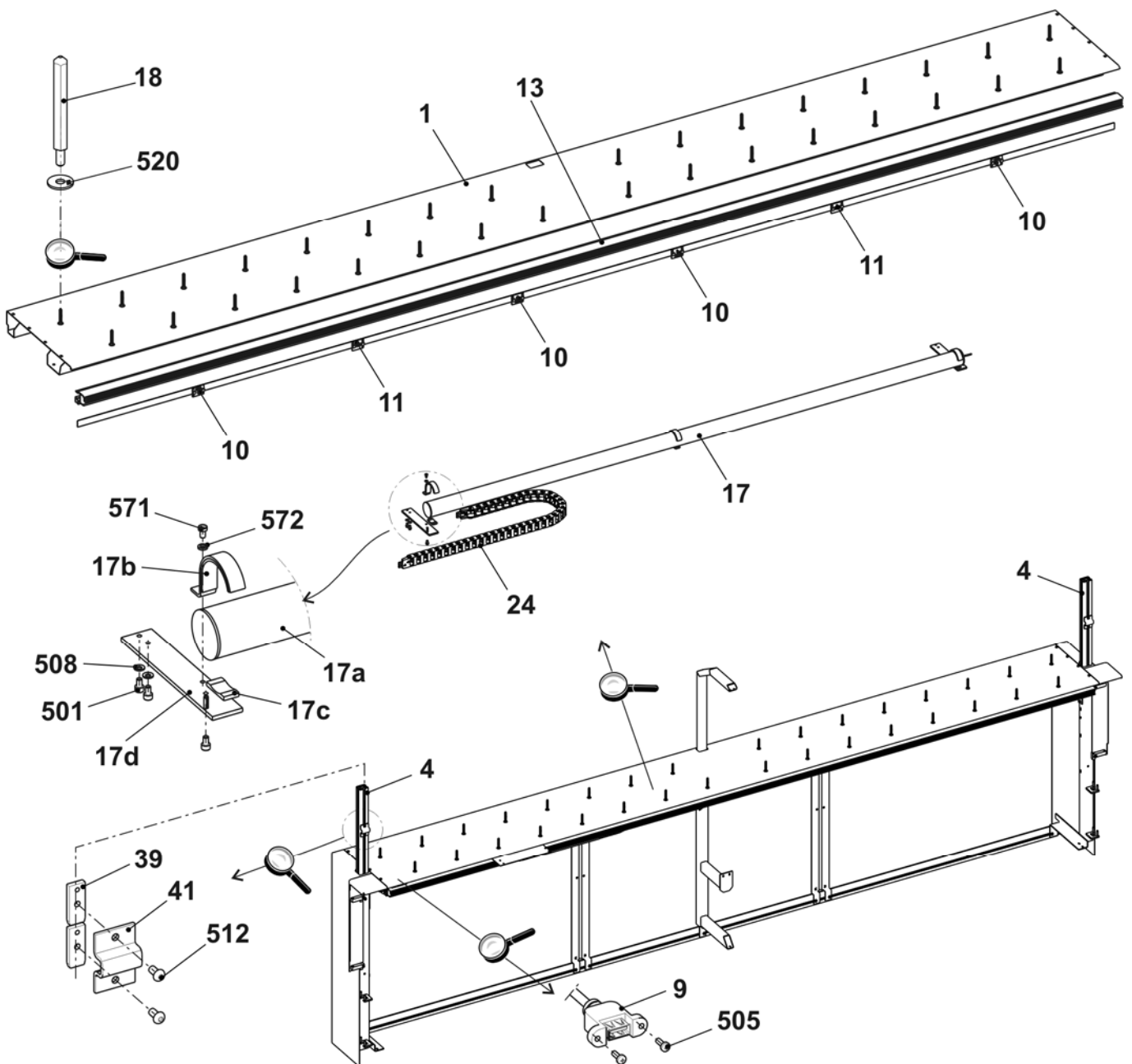
Pos	Designation	ID No.	Pos	Designation	ID No.
<b>Σ</b>	<b>Tension axle on the left complete</b>				
	<b>E5 + E7 + E8 + E5m.4 + E7m.5 + E7m.8 + E8m.7 + E3,5.2 + E5.2 + E6.2 + E10 + E12 + E14 + E16 + E10m.12 + E12m.10 + E7.2 + E8.2</b>	<b>243 351</b>	31	Housing AKF	238 689
1	Axle	243 107	32	Cover AKF	237 926
2	Tension arm pre-assembled E5 – E8	242 770	33	Sheet metal at the bottom (housing AKF)	240 719
	Tension arm pre-assembled E10 – E18	242 771	34	Lever AKF	238 692
4	Wire bow	238 694	35	Thrust piece AKF	238 690
500	Adjusting washer 4x8x0 8x14x0,5	023 501	36	Slider AKF	238 691
501	Circlip	021 022	37	Wire bow	238 694
502	Grooved pin 2x6	243 172	38	Wire	237 940
3	Thread clamp AKF	238 695	531	Screw KB 35x12	237 681
			532	Screw KB 40x8	236 227
			533	Compression spring 0.30x4.50x18.50	241 437
			534	Grooved pin 2x6	243 172





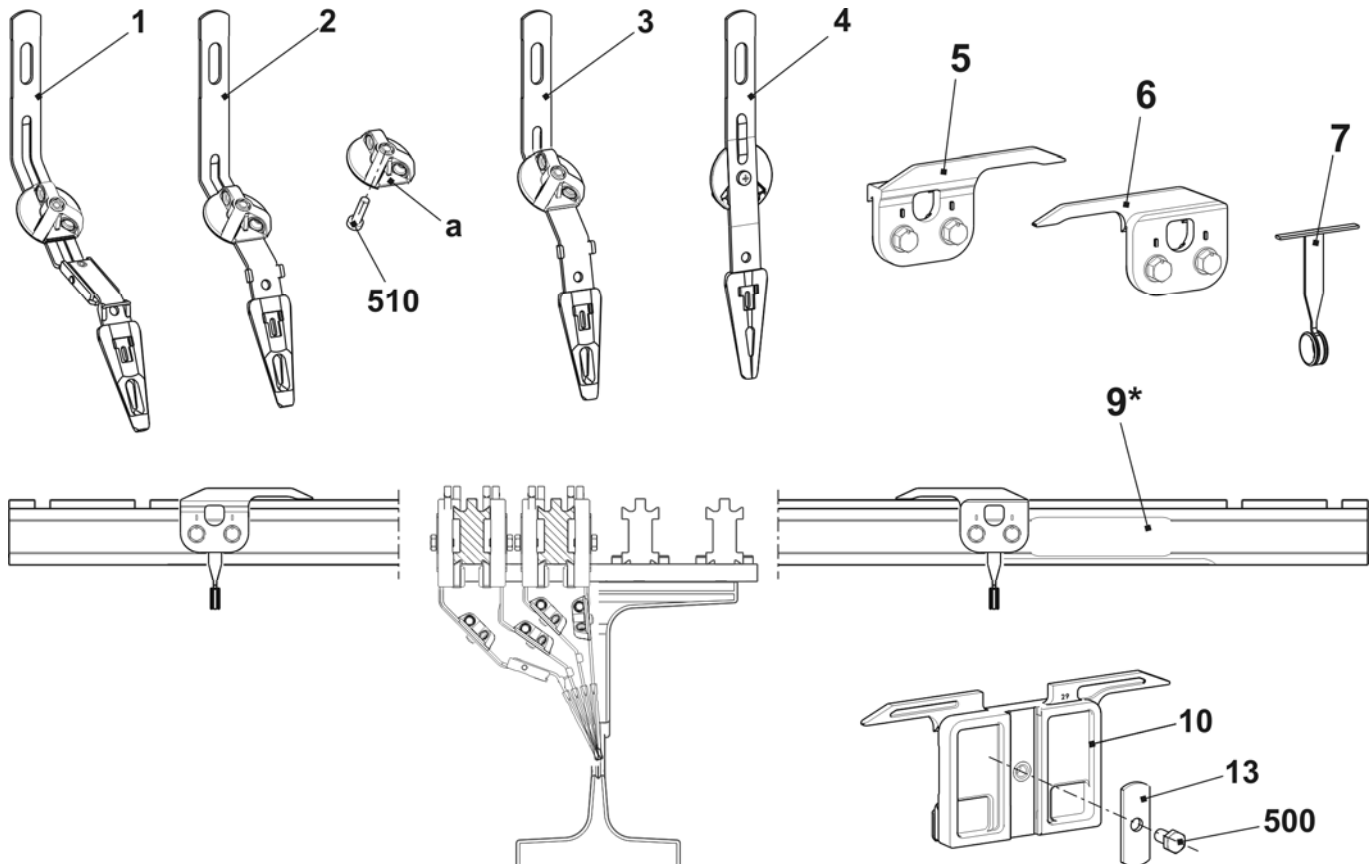
## Bobbin board

Pos	Designation	ID No.	Pos	Designation	ID No.
$\Sigma$	<b>Table complete 933</b>	<b>242 441</b>	17	Lamp at the top complete	220 137
1	Table	251 247	A17	Lamp long RR60V-230	212 580
4	Support element	228 594	17b	Clamping bow	209 504
9	Cable USB extension 96 OKC	243 069	17c	Cellular caoutchouc 40x20	208 018
10	Magnet switch protective hood	219 983	17d	Lamp support	220 138
11	Magnet switch protective hood	220 159	571	Cap screw M6x10	022 773
13	Guide rail at the top complete	242 435	572	Serrated lock washer J6	022 385
18	Positioning pin	204 819	501	Cap screw M6x10	023 690
24	Energy chain display 38 links	253 888	505	Countersunk screw M3x8	023 251
39	Threaded strip short	200 223	508	U-washer	023 598
41	Clamp	228 583	512	Countersunk screw M8x16	023 113
			520	U-washer	020 901



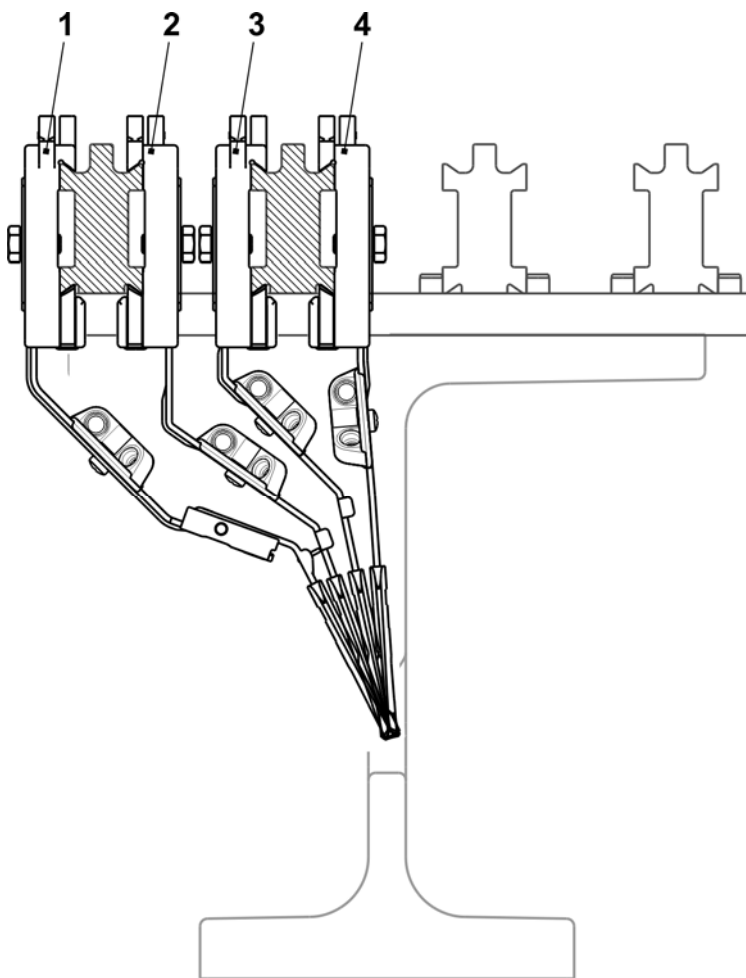
## Yarn carrier and guide rails

Pos	Designation	ID No.	Pos	Designation	ID No.
<b>Σ</b>	<b>Yarn guide complete E5</b>	<b>244 003</b>	<b>E7 + E8 + E6.2 + E7m8 +E8m7</b>		
	<b>Yarn guide complete E7 – E8</b>	<b>244 004</b>	1	YC bow 1+8 complete E7-8	212 892
	<b>Yarn guide complete E10 – E14</b>	<b>244 005</b>	2	YC bow 2+7 complete E7-8	212 914
	<b>Yarn guide complete E16 – E18</b>	<b>244 006</b>	3	YC bow 3+6 complete E7-8	212 925
5	Limiters on the left complete	244 099	4	YC bow 4+5 complete E7-8	212 910
6	Limiters on the right complete	244 098	<b>E10 + E12 + E14 + E10m.12 + E12m10 + E7.2 + E8.2</b>		
7	Slider with eyelet	230 709	1	YC bow 1+8 complete E10-14	212 994
9*	Yarn carrier rail	213 172	2	YC bow 2+7 complete E10-14	212 996
10	YC carriage complete	243 062	3	YC bow 3+6 complete E10-14	212 995
13	Shim	213 035	4	YC bow 4+5 complete E10-14	212 997
500	Hexagon screw M5x10	020 351	<b>E16</b>		
<b>E5 + E5m.4 + E7m.5, + E3,5.2 +E5.2</b>			1	YC bow 1+8 complete E16-18	223 199
1	YC bow 1+8 complete E5	212 990	2	YC bow 2+7 complete E16-18	223 201
2	YC bow 2+7 complete E5	212 992	3	YC bow 3+6 complete E16-18	223 200
3	YC bow 3+6 complete E5	212 991	4	YC bow 4+5 complete E16-18	223 202
4	YC bow 4+5 complete E5	212 993	a	Yarn guide wheel complete	209 257
			510	Countersunk screw M3x10	023 032

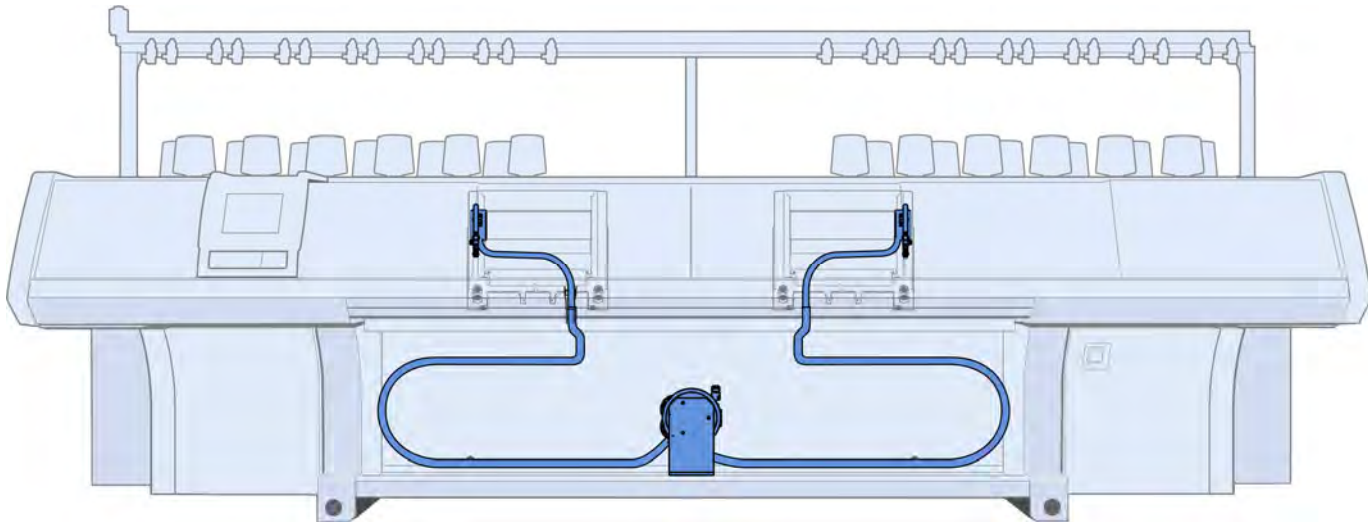


## Complete yarn carriers

Pos	Designation	Track	ID No.	Pos	Designation	Track	ID No.
<b>Yarn guide complete</b>							
<b>E5+E5m.4+E7m.5+E3,5.2+E5.2</b>			<b>244 003</b>	<b>E10 + E12 + E14 + E10m.12 + E12m.10 + E7.2 + E8.2</b>			<b>244 005</b>
1	YC carriage complete E5	1+8	243 935	1	YC carriage complete E10-14	1+8	243 943
2	YC carriage complete E5	2+7	243 934	2	YC carriage complete E10-14	2+7	243 942
3	YC carriage complete E5	3+6	243 933	3	YC carriage complete E10-14	3+6	243 941
4	YC carriage complete E5	4+5	243 932	4	YC carriage complete E10-14	4+5	243 940
<b>E7 + E8 + E7m.8 + E8m.7 + E6.2</b>			<b>244 004</b>	<b>E16</b>			<b>244 006</b>
1	YC carriage complete E7-8	1+8	243 939	1	YC carriage complete E16-18	1+8	243 947
2	YC carriage complete E7-8	2+7	243 938	2	YC carriage complete E16-18	2+7	243 946
3	YC carriage complete E7-8	3+6	243 937	3	YC carriage complete E16-18	3+6	243 945
4	YC carriage complete E7-8	4+5	243 936	4	YC carriage complete E16-18	4+5	243 944

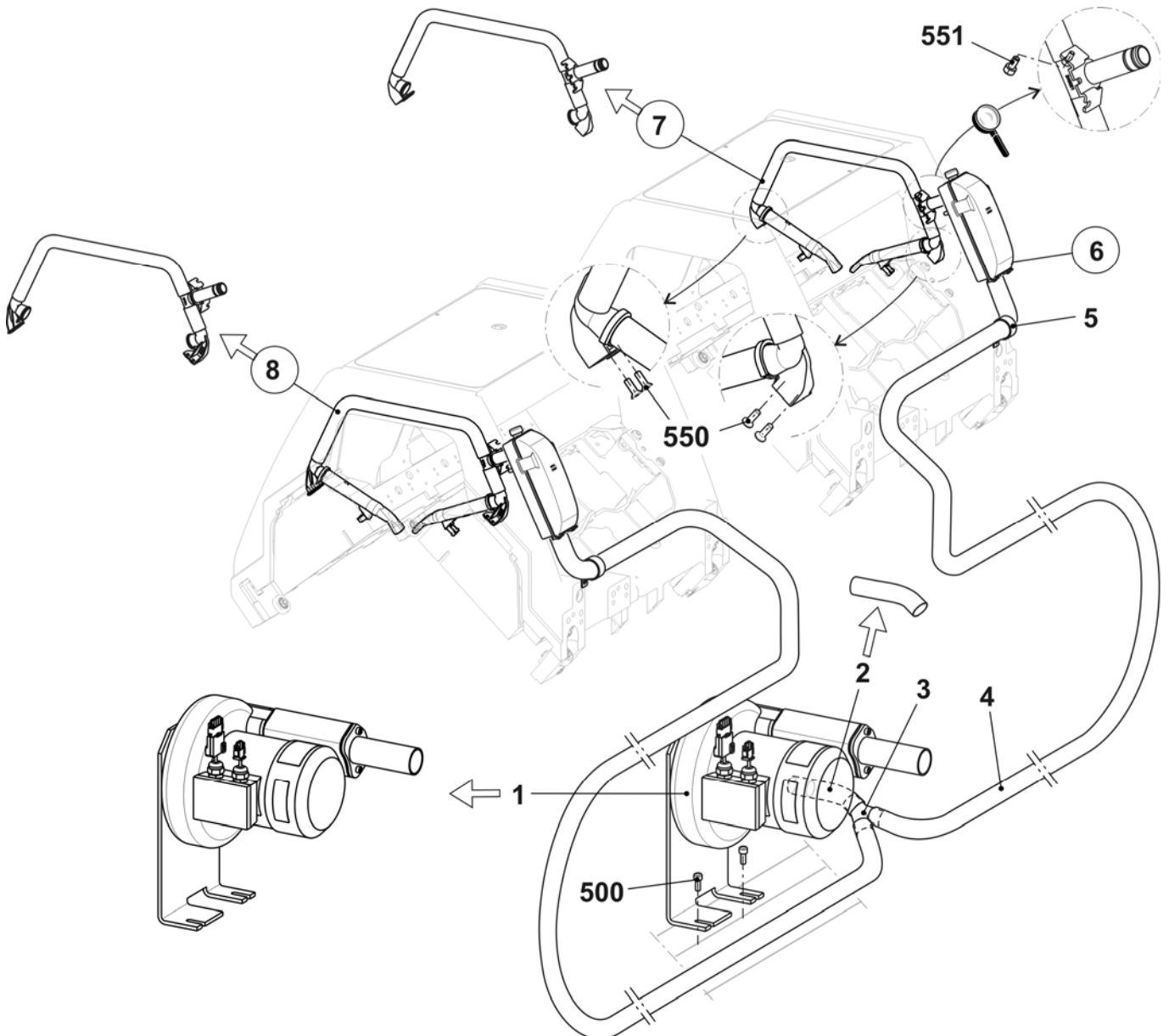


# Fluff absorption



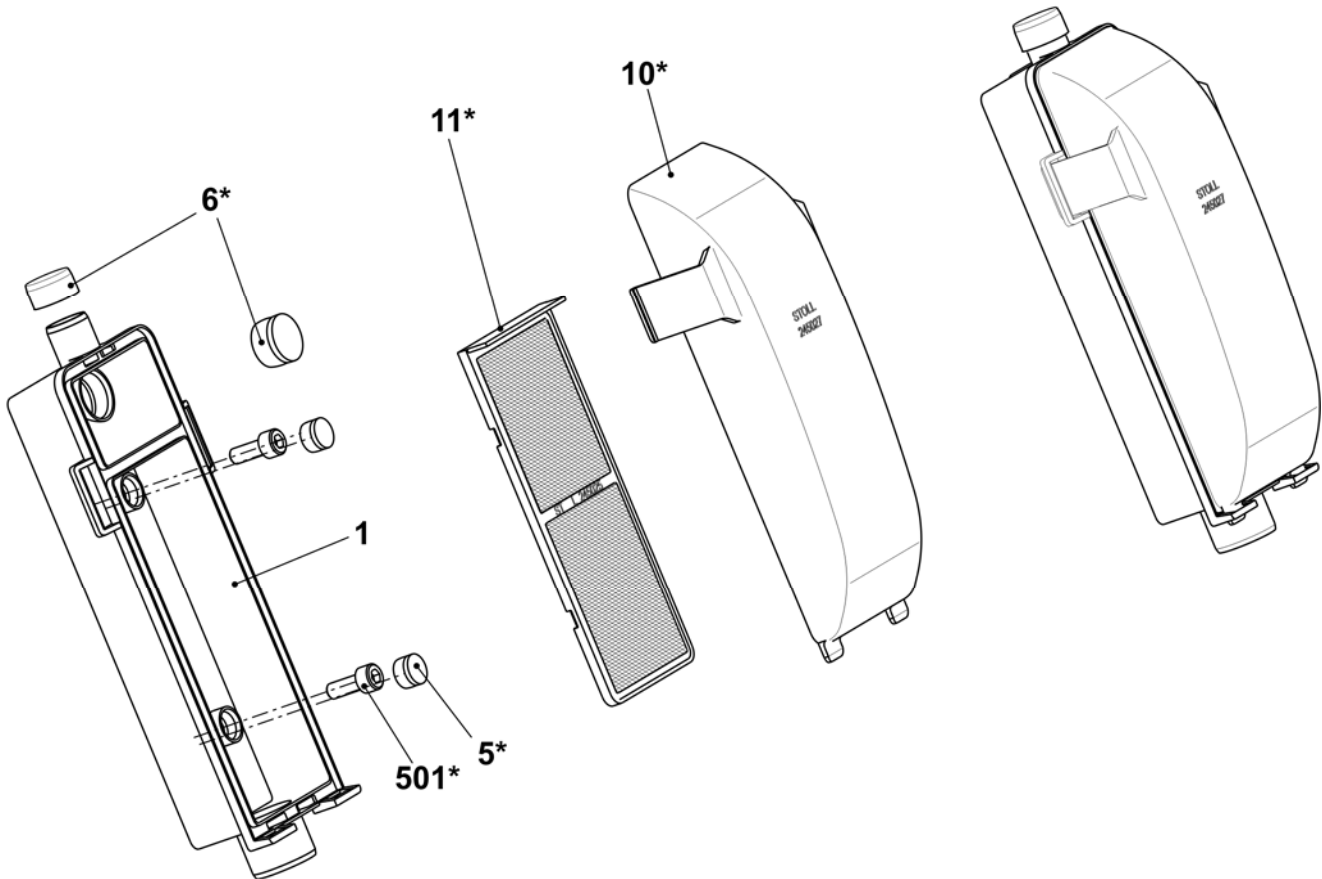
## Fluff absorption

Pos	Designation	ID No.	Pos	Designation	ID No.
<b>Σ</b>	<b>Fluff absorption</b>		6	Lint container	245 024
1	Suction fan complete	251 333	7	Set of tubes on the left complete 922/933	251 349
2	Suction hose 29x25x150	251 348	8	Set of tubes on the right complete 922/933	251 350
3	Hose connector	245 011	500	Cap screw M8x16	023 629
4	Suction hose 29x25x3750	251 336	550	Countersunk head screw M4x8	251 011
5	Hose fitting	214 653	551	Cap screw M4x8	022 501



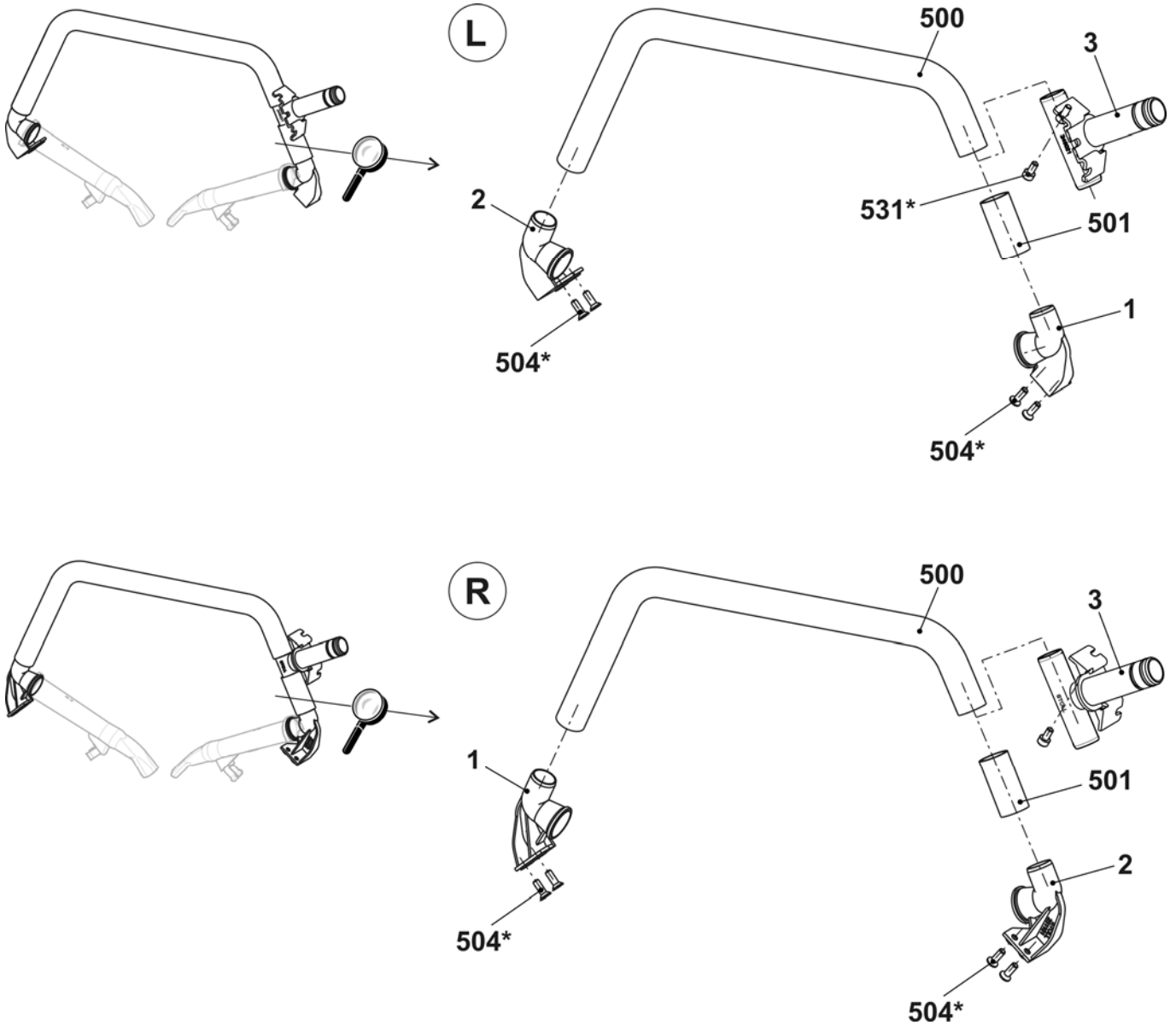
## Lint container

Pos	Designation	ID No.	Pos	Designation	ID No.
<b>Σ</b>	<b>Lint container</b>				
1	Lint container	245 024	10*	Cover lint container	245 027
5*	Sealing plug	245 028	11*	Filter	245 025
6*	Sealing plug	245 029	501*	Cap screw M6x10	023 690



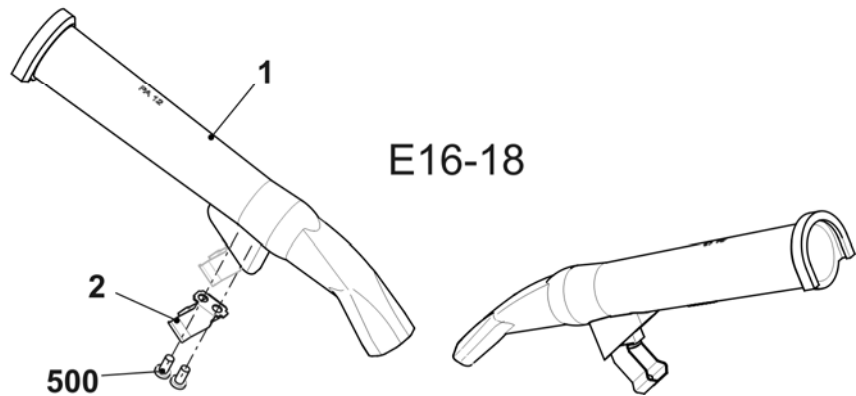
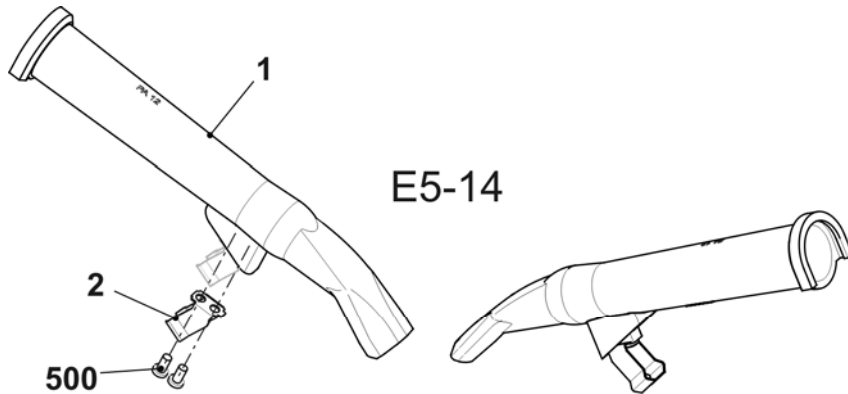
## Set of tubes on the left and right

Pos	Designation	ID No.	Pos	Designation	ID No.
L	Set of tubes on the left complete 922/933	251 349			
R	Set of tubes on the right complete 922/933	251 350	500	Suction hose 20x16x400	244 983
1	Angle connection on the right	250 121	501	Suction hose 20x16x40	251 043
2	Angle connection on the left	251 101	504*	Countersunk head screw M4x8	251 011
3	T-piece FLENT	245 021	531*	Cap screw M4x8	022 501



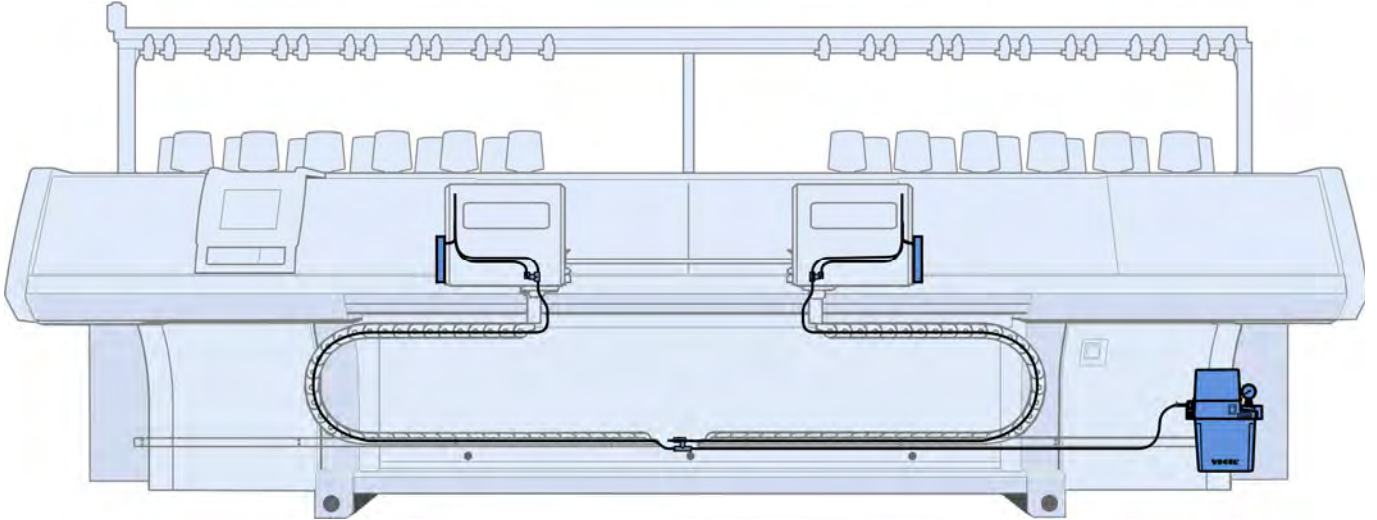
## Suction tube

Pos	Designation	ID	Pos	Designation	ID
$\Sigma$	<b>Suction tube complete (E5-14)</b>	<b>251 310</b>	$\Sigma$	<b>Suction tube complete E16-18</b>	<b>251 311</b>
1	Suction tube	255 386	1	Suction tube	255 605
2	Bracket	255 627	2	Bracket	255 627
500	Screw KB 30x6	214 424	500	Screw KB 30x6	214 424



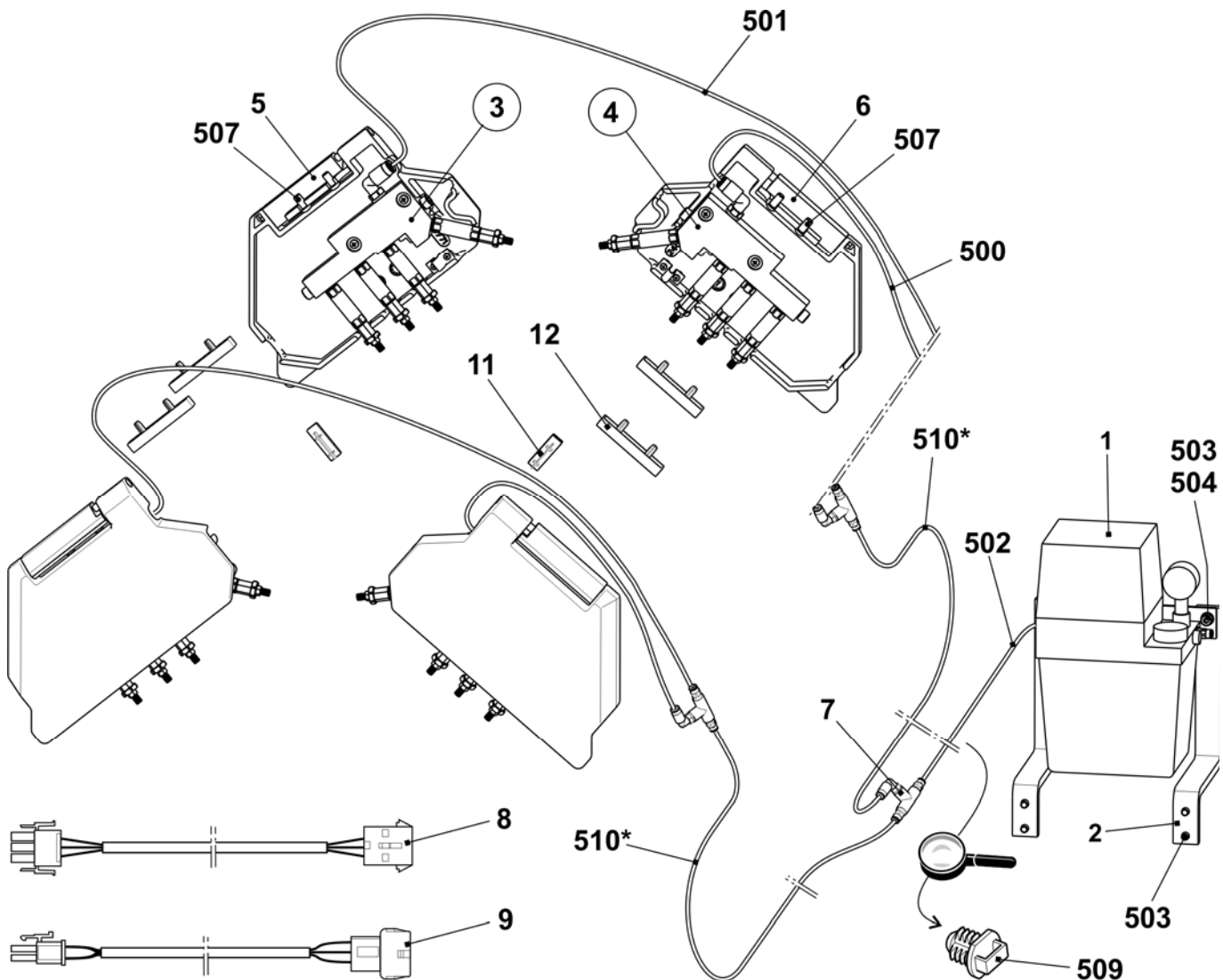


# Central lubrication



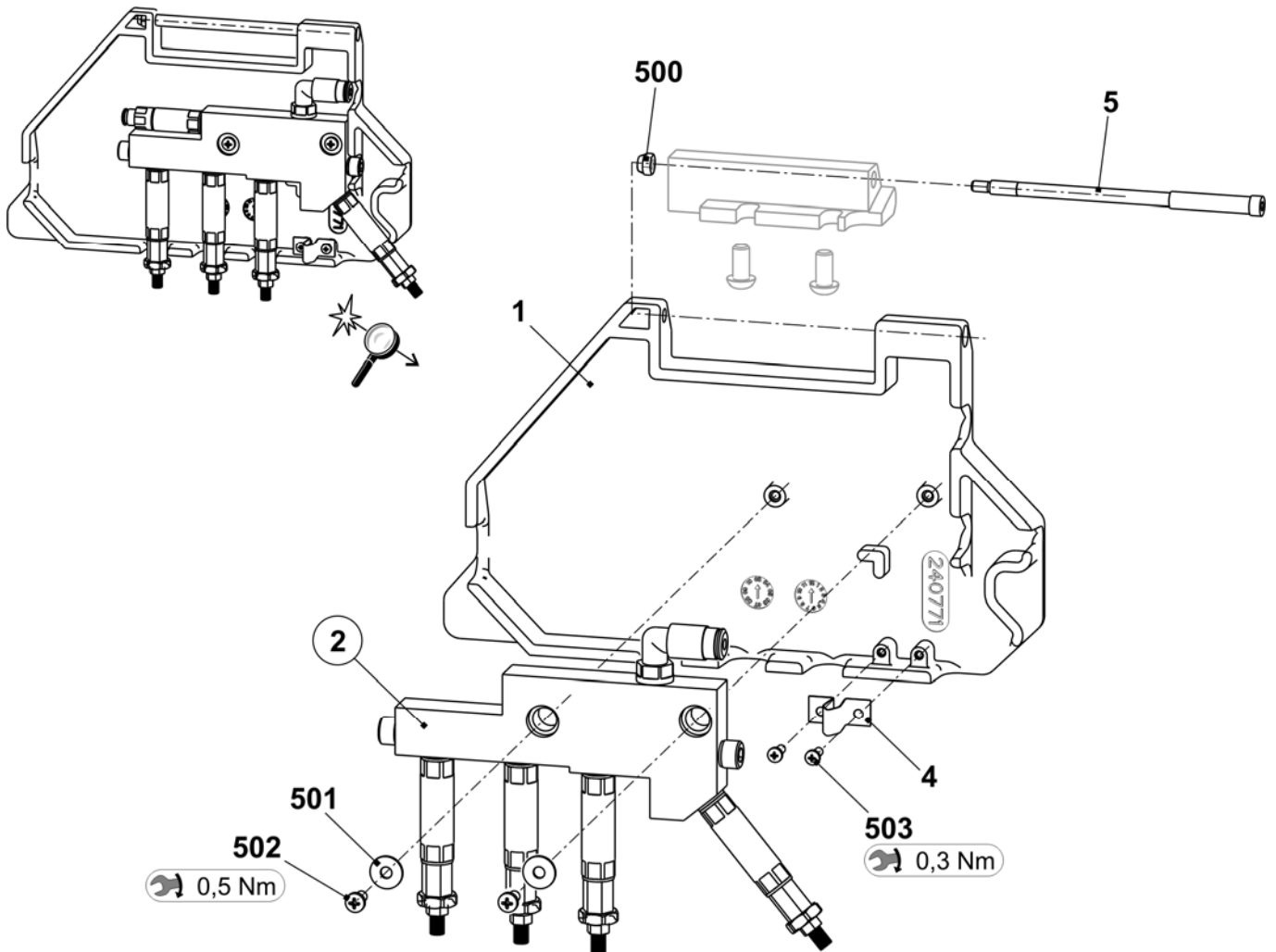
# Central lubrication

Pos	Designation	ID No.	Pos	Designation	ID No.
<b>Σ</b>	<b>Central lubrication</b>	<b>242 949</b>	11	Sealing plug	240 777
1	Oil central lubricating pump Vogel	235 068	12	Cover	240 778
2	Support for oil equipment	241 636	500	Hose D6, L = 500	235 037
3	Lubricating unit at the front complete	241 047	501	Hose D6, L = 1000	235 038
4	Lubricating unit at the rear complete	241 048	502	Hose D6, L = 2500	236 545
5	Joint at the front	240 791	503	Cap screw M8x16	023 629
6	Joint at the rear	240 792	504	U-washer 8	020 883
7	T-piece complete	235 039	507	Countersunk screw M6x12	235 935
8	Cable mains supply 50"/96" OKC	244 406	509	Assembling element	209 543
9	Cable control ZS OKC	238 704	510*	Hose D6, L = 3300	235 044



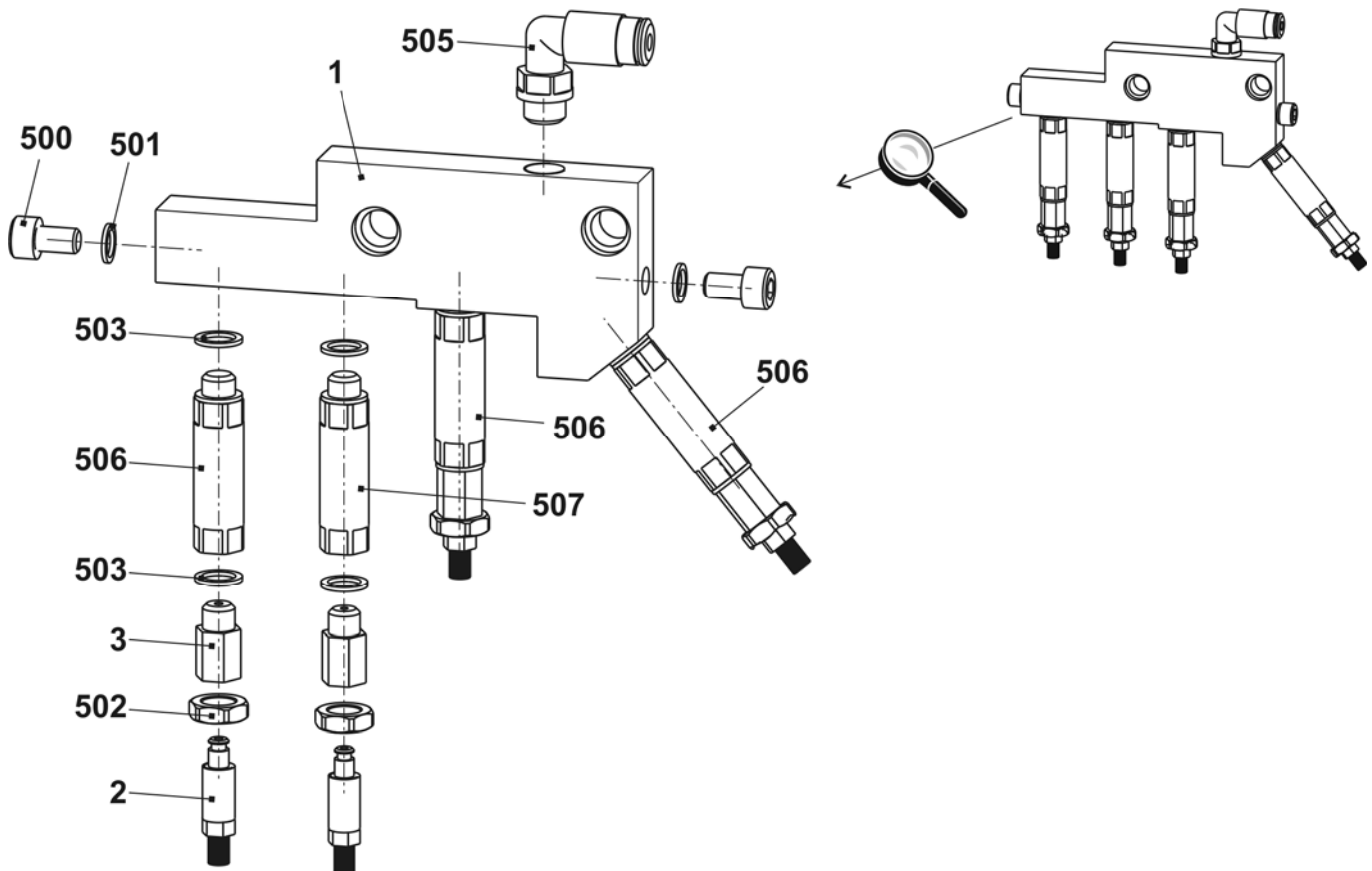
## Lubricating unit at the front complete

Pos	Designation	ID No.	Pos	Designation	ID No.
<b>Σ</b>	<b>Lubricating unit at the front complete</b>	<b>241 047</b>			
1	Housing at the front	240 771	500	Hexagon nut M4	023 046
2	Distributor complete	241 046	501	U-washer 4	023 047
4	Locking plunger	235 054	502	Screw KB 40x8	238 089
5	Shoulder screw	240 790	503	Screw KB30x8	236 228



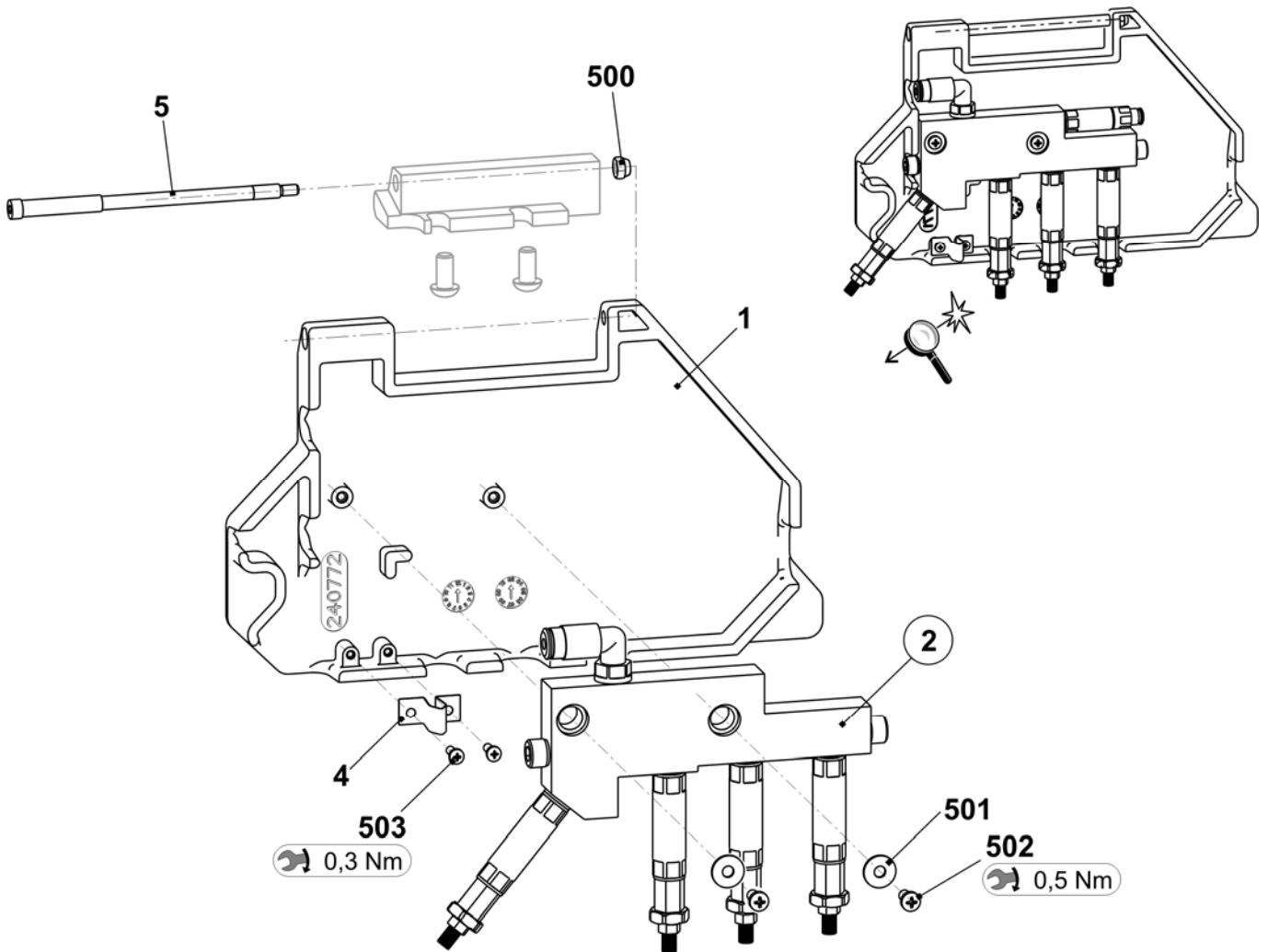
## Distributor complete

Pos	Designation	ID No.	Pos	Designation	ID No.
<b>Σ</b>	<b>Distributor complete</b>	<b>241 046</b>			
1	Distributor	240 773	502	Hexagon nut M8-04	020 856
2	Brush	235 050	503	Sealing ring A8x11.5	023 892
3	Adapter brush	235 049	505	Swivelling connection	235 067
500	Cap screw M6x10	023 690	506	Dosing unit screw connection	235 079
501	Sealing ring A6.5x9.5	237 456	507	Dosing unit screw connection	237 809

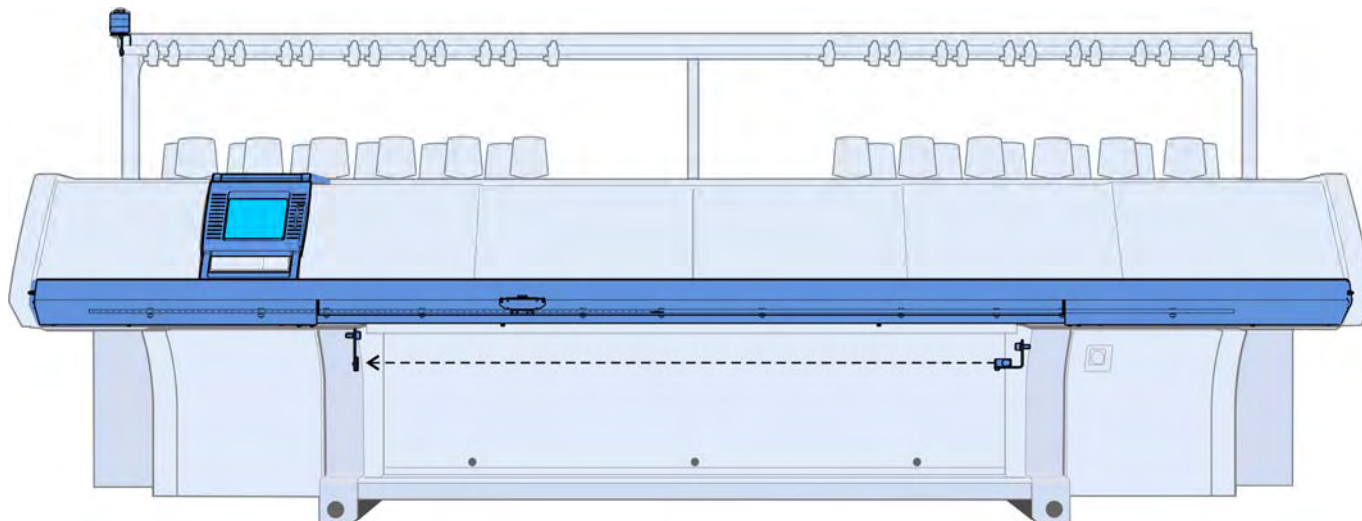


## Lubricating unit at the rear complete

Pos	Designation	ID No.	Pos	Designation	ID No.
<b>Σ</b>	<b>Lubricating unit at the rear complete</b>	<b>241 048</b>			
1	Housing at the rear	240 772	500	Hexagon nut M4	023 046
2	Distributor complete	241 046	501	U-washer 4	023 047
4	Locking plunger	235 054	502	Screw KB 40x8	238 089
5	Shoulder screw	240 790	503	Screw KB30x8	236 228

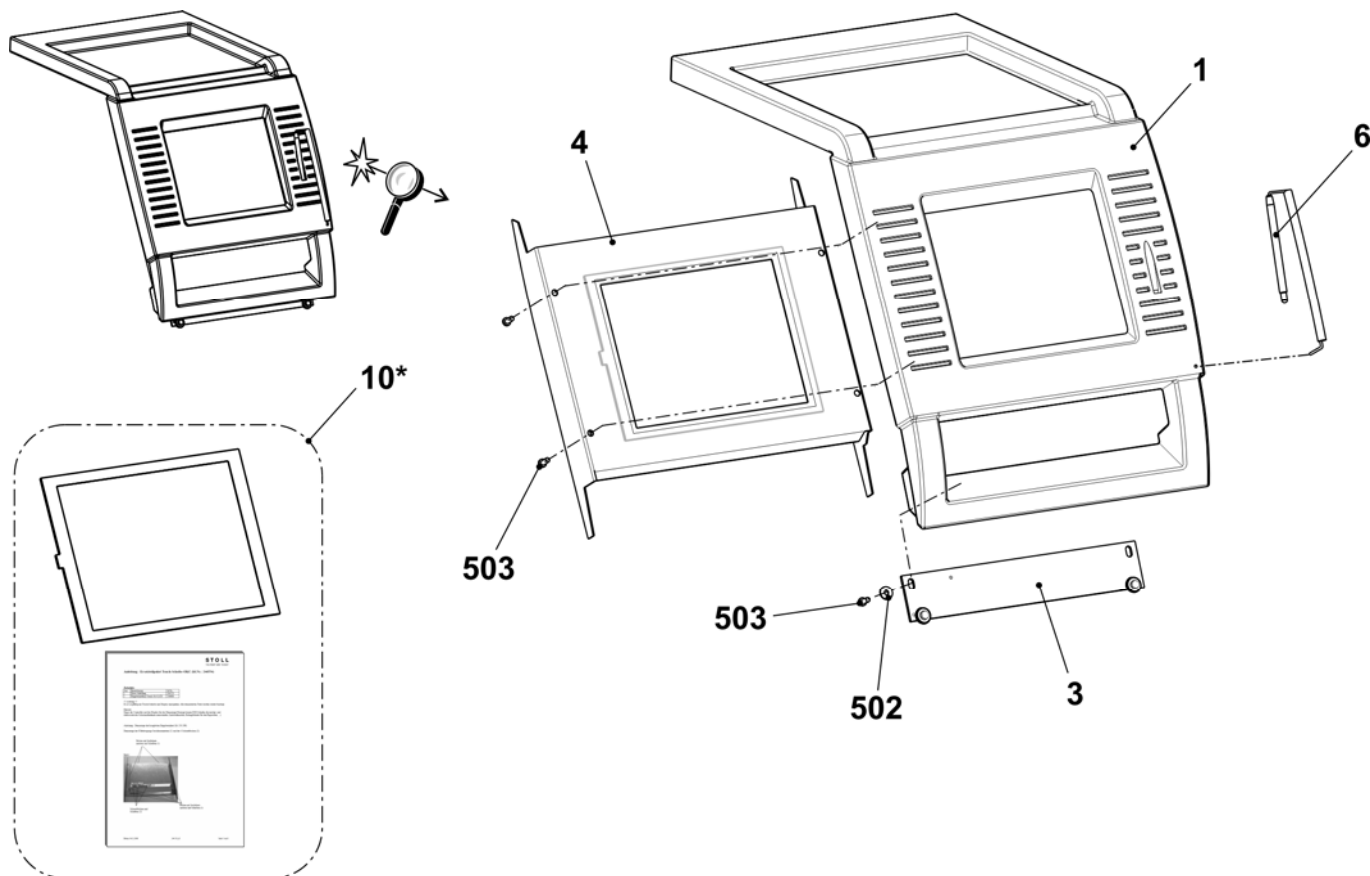


# Operation and control



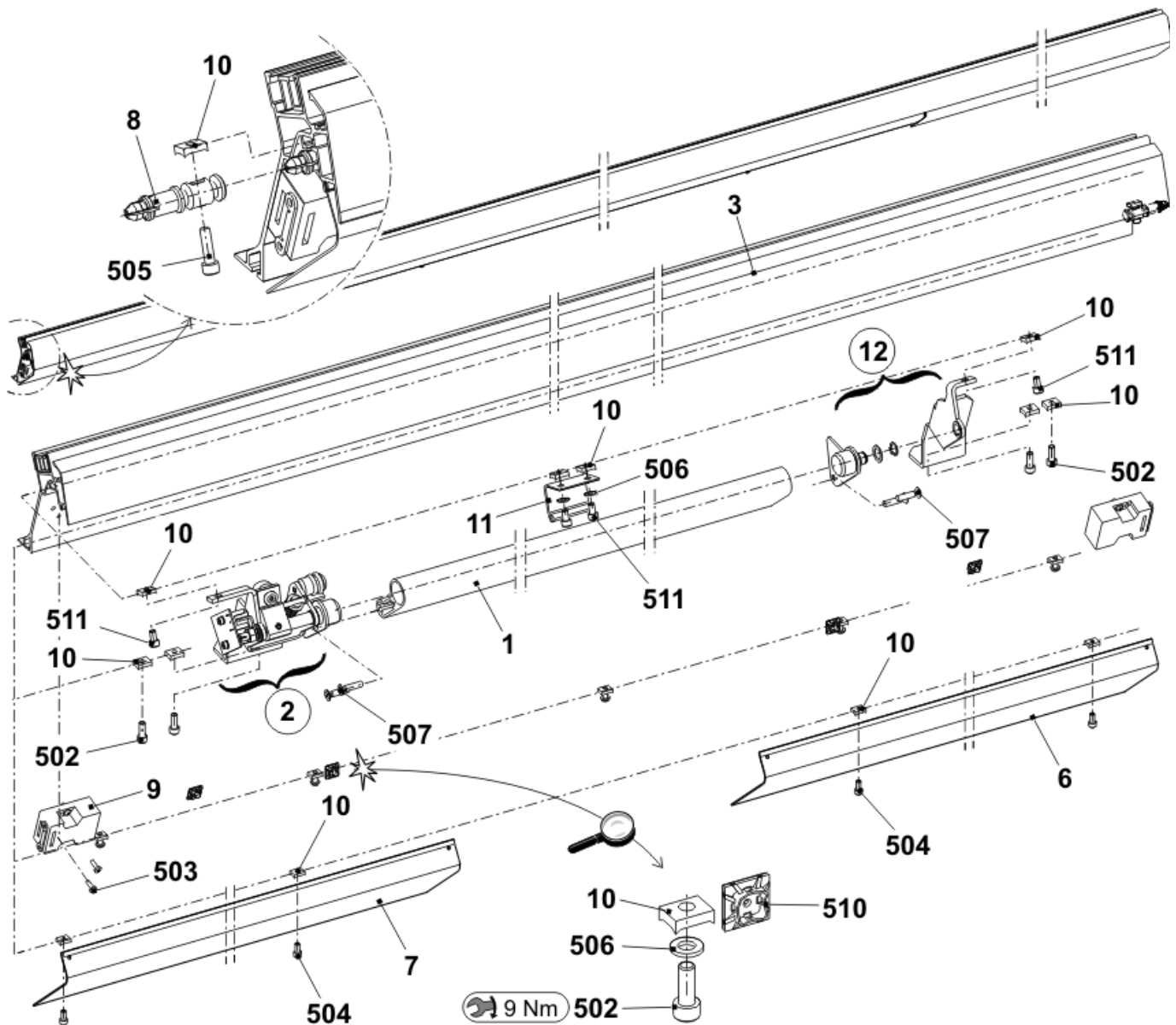
## Input unit

Pos	Designation	ID	Pos	Designation	ID
<b>Σ</b>	<b>Input unit complete</b>	<b>240 194</b>	6	Touch pen	242 812
1	Base frame	240 195	10*	Touch panel spare parts package	244 554
3	Bearing strip complete	240 198	502	U-washer	020 901
4	Display touch complete	250 298	503	Screw KB 50x12	240 359



## Starting unit

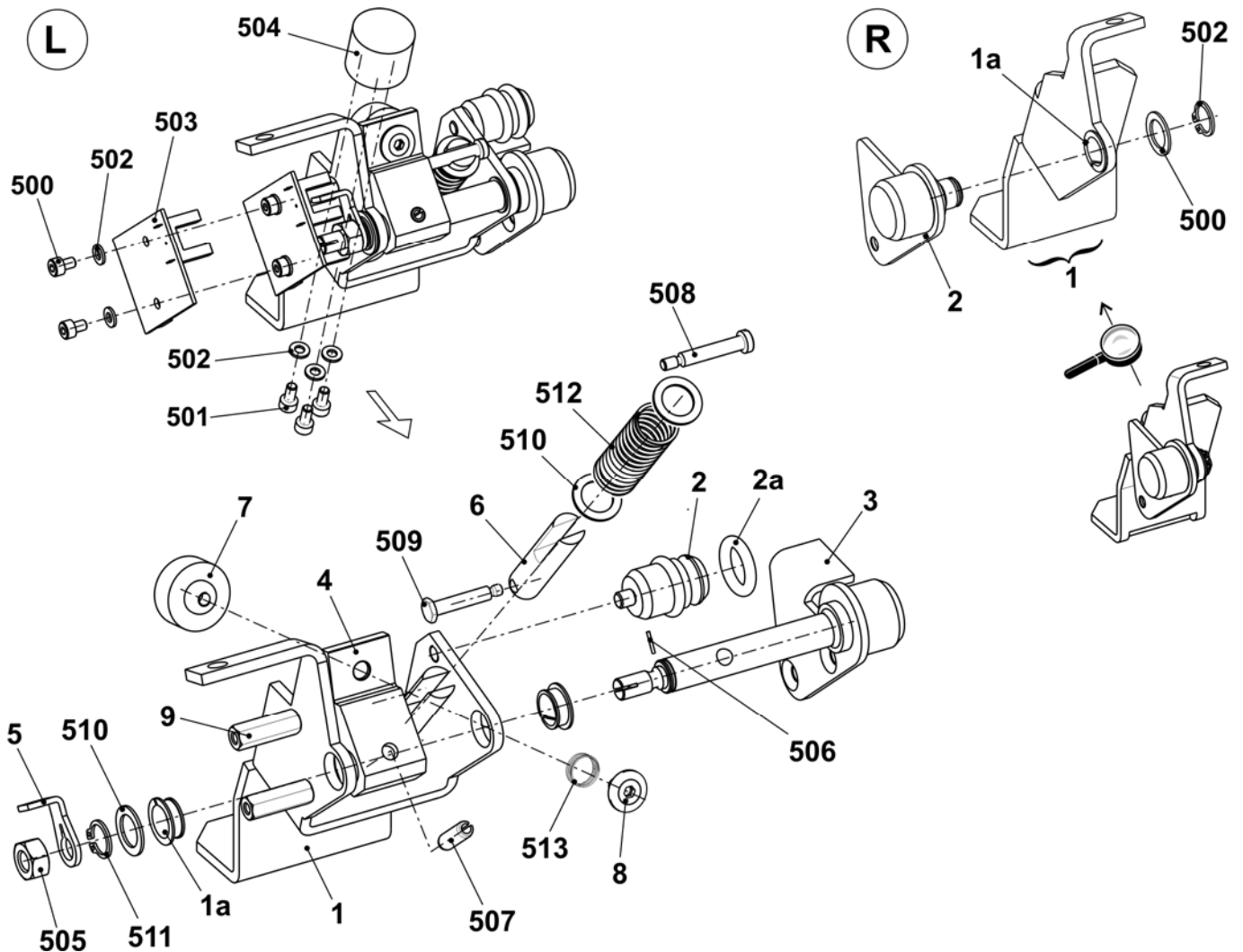
Pos	Designation	ID No.	Pos	Designation	ID No.
<b>Σ</b>	<b>Starting unit complete</b>	<b>241 229</b>			
1	Engaging rod	241 224	12	Bearing on the right complete	252 964
2	Bearing on the left complete	250 071	502	Cap screw M6x16	020 135
3	Guide rail at the bottom complete	251 228	503	Countersunk screw M5x14	023 588
6	Cover plate on the right	251 218	504	Cap screw M6x12	020 134
7	Cover plate on the left	251 219	505	Cap screw M6x20	020 136
8	Fixing bolt	219 107	506	U-washer 6	020 872
9	Switch with cable to protective hoods	223 350	507	Screw M6x25	023 510
10	Sliding nut (sliding block)	225 099	510	Adhesive base	243 055
11	Stabilizer	244 634	511	Cap screw M6x10	023 690





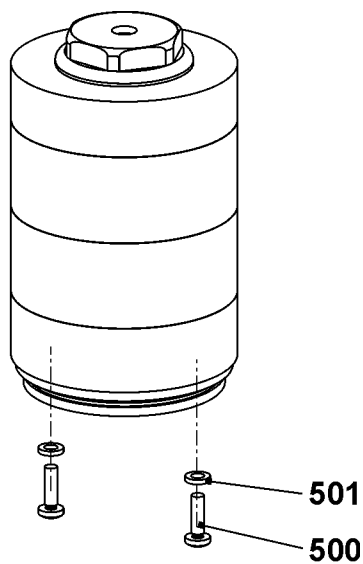
## Bearing of the engaging rod

Pos	Designation	ID No.	Pos	Designation	ID No.
<b>L</b>	<b>Bearing on the left complete</b>	<b>250 071</b>			
1	Bearing on the left	245 218	505	Hexagon nut M8-6	020 838
A1	Clip bearing MCM12-04	023 639	506	Dowel pin 1.5x8	236 923
2	Support buffer	220 561	507	Spring dowel sleeve 6x20	023 719
2a	O-ring 14x4	023 237	508	Shoulder screw M4x24.8x7.7	240 299
3	Shaft on the left	245 219	509	Shoulder screw	251 316
4	Rotor	253 776	510	Shim ring 12x18x1	023 315
5	Switch flag	245 220	511	Locking ring 12x1	020 951
6	Spring pin	251 340	512	Compression spring 1.25x15x98.2	023 609
7	Disc	245 222	513	Compression spring 0.5x11x12	251 369
8	Shoulder screw	254 528			
9	Distance bolt	240 287	<b>R</b>	<b>Bearing on the right complete</b>	<b>252 964</b>
500	Cap screw M4x6	023 067	1	Bearing on the right	240 230
501	Cap screw M4x8	022 501	A1	Clip bearing MCM 12-04	023 639
502	Shim ring 4x8x1	023 369	2	Shaft on the right	242 888
503	Card engaging OKC	240 167	500	Shim ring 12x18x1	023 315
504	Adhesive magnet direct current	026 233	502	Locking ring 12x1	020 951



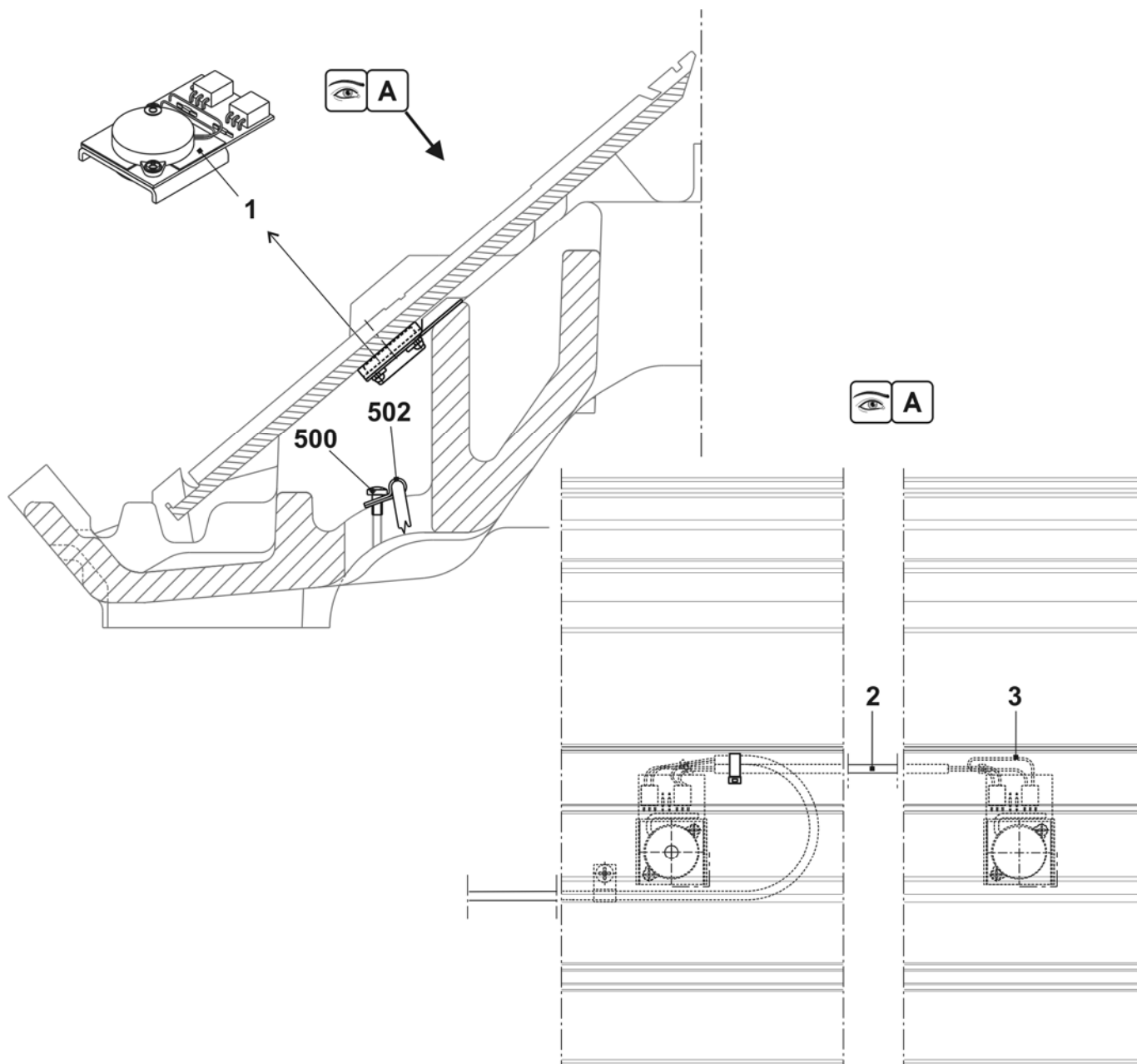
## Signal light

Pos	Designation	ID	Pos	Designation	ID
<b>Σ</b>	<b>Warning light LED</b>	<b>240 395</b>			
	500	Countersunk screw M4x14			
	501	Serrated lock washer A4.3-FS			



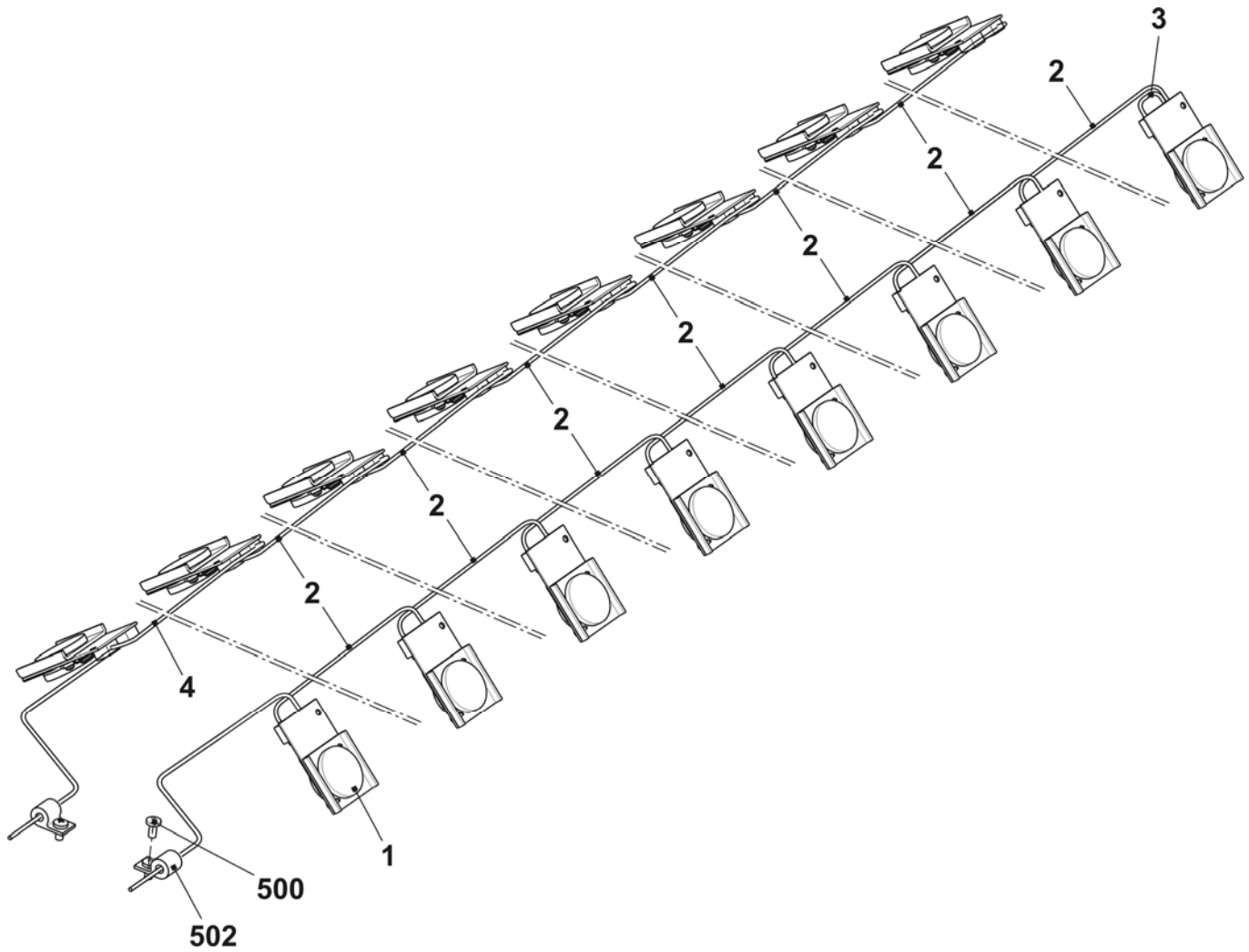
## Shock stop motion (up to E14)

Pos	Designation	ID No.	Pos	Designation	ID No.
$\Sigma$	<b>Shock stop motion complete</b>	<b>220 873</b>	3	End plug piezo sensor	220 053
1	Shock stop motion (Piezo)	220 011	500	Countersunk screw M4x8	023 036
2	Connecting cable piezo sensor	220 063	502	Cable clip N-3B, 5 mm	210 729



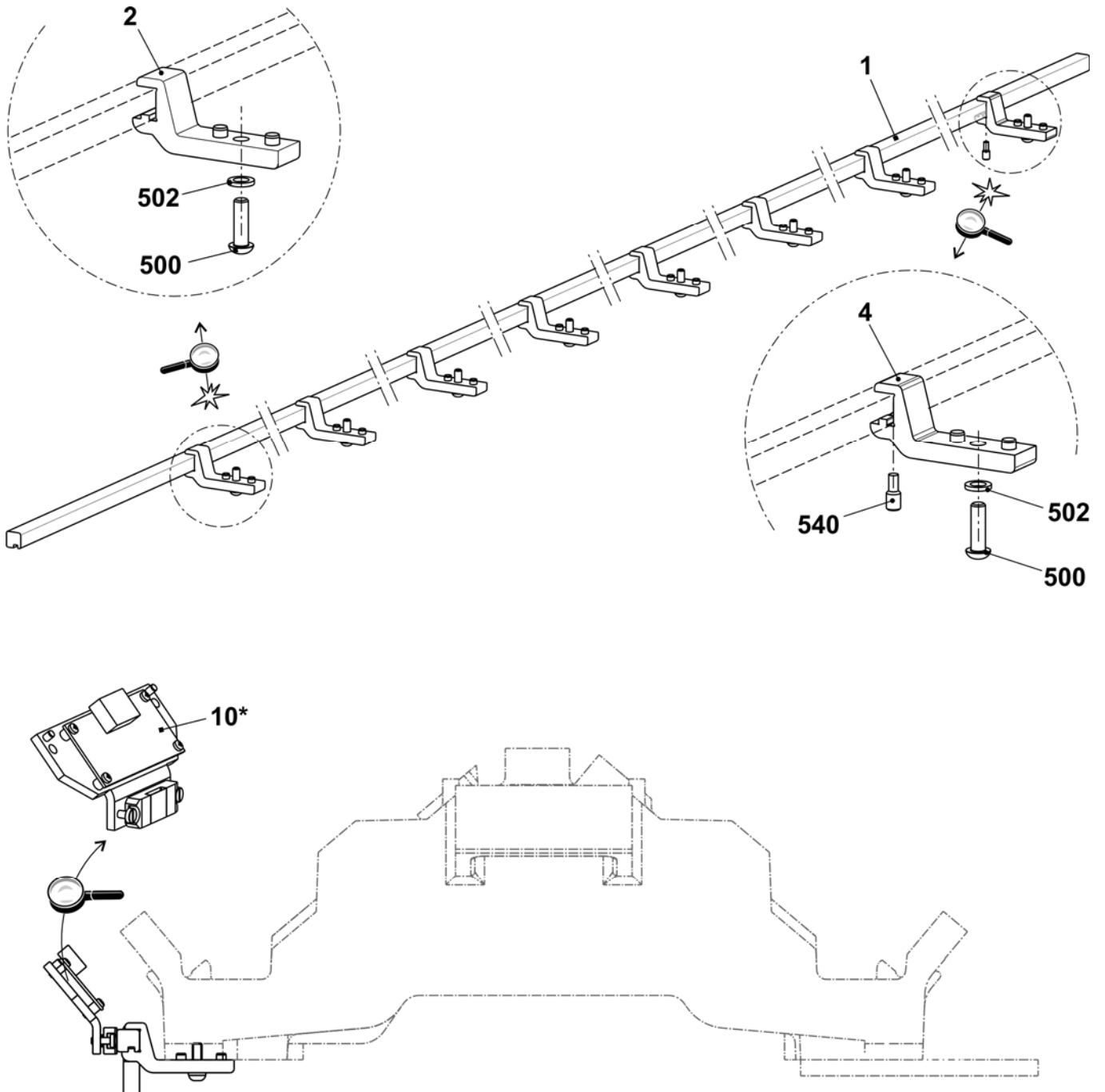
## Shock stop motion E16-18

Pos	Designation	ID No.	Pos	Designation	ID No.
$\Sigma$	<b>Shock stop motion complete E16 – E18</b>	<b>250 387</b>			
1	Shock stop motion (Piezo)	220 011	4	Cable connection piezo	250 294
2	Cable connection piezo	250 293	500	Countersunk screw M4x8	023 036
3	End plug piezo sensor	220 053	502	Cable clip N-3B, 5 mm	210 729



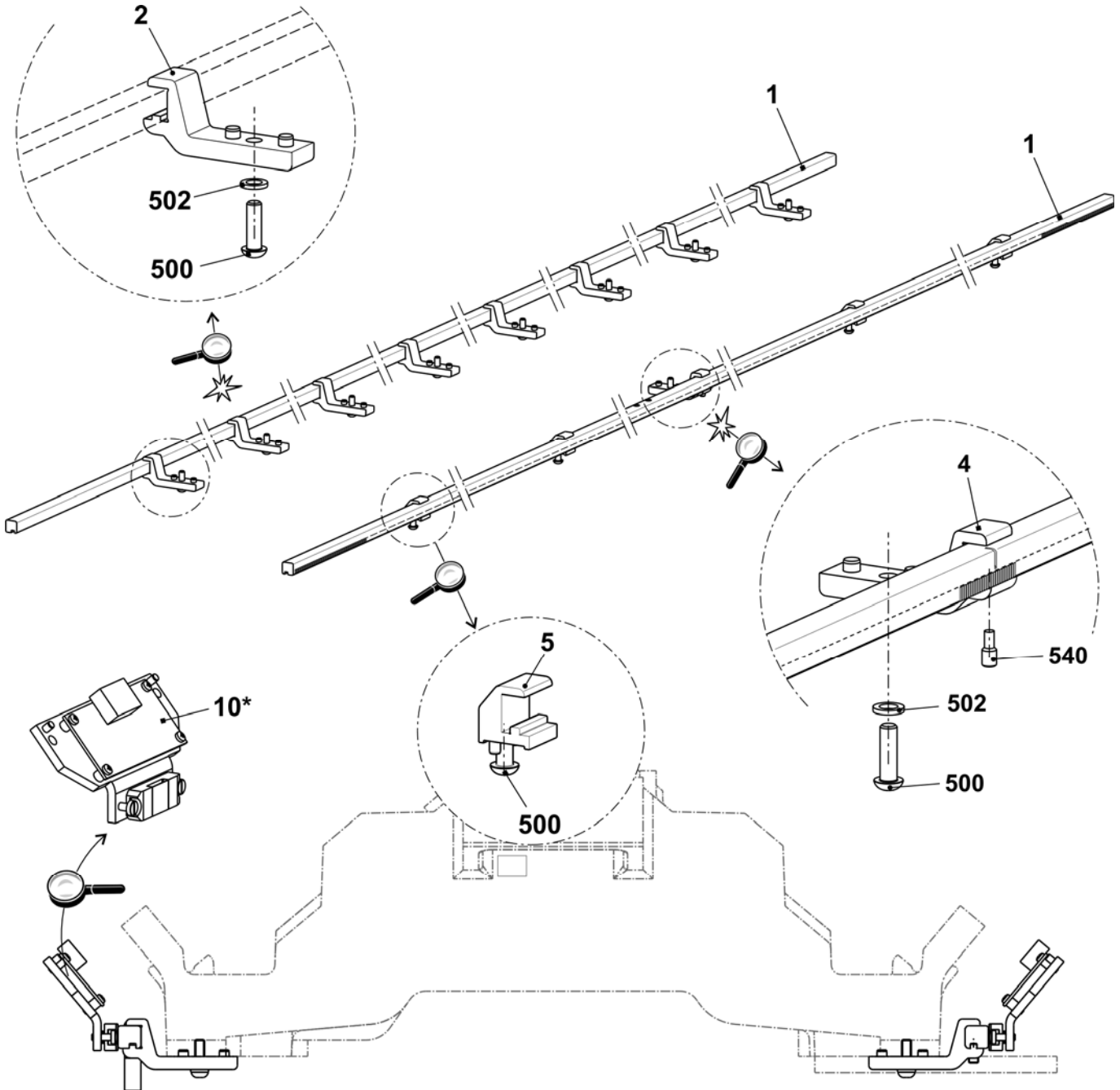
## Measuring device E5 + 8

Pos	Designation	ID No.	Pos	Designation	ID No.
$\Sigma$	<b>Measuring device E5 + E7 + E8 + E5m.4 + E7m.5 + E7m.8 + E8m.7 + E3,5,2</b>	<b>254 154</b>			
1	Measuring bar	242 358	500	Countersunk screw	241 603
2	Guidance	212 210	502	U-washer	020 881
4	Guidance	240 672	10*	Measuring head complete	240 562
	540 Set screw	230 803			

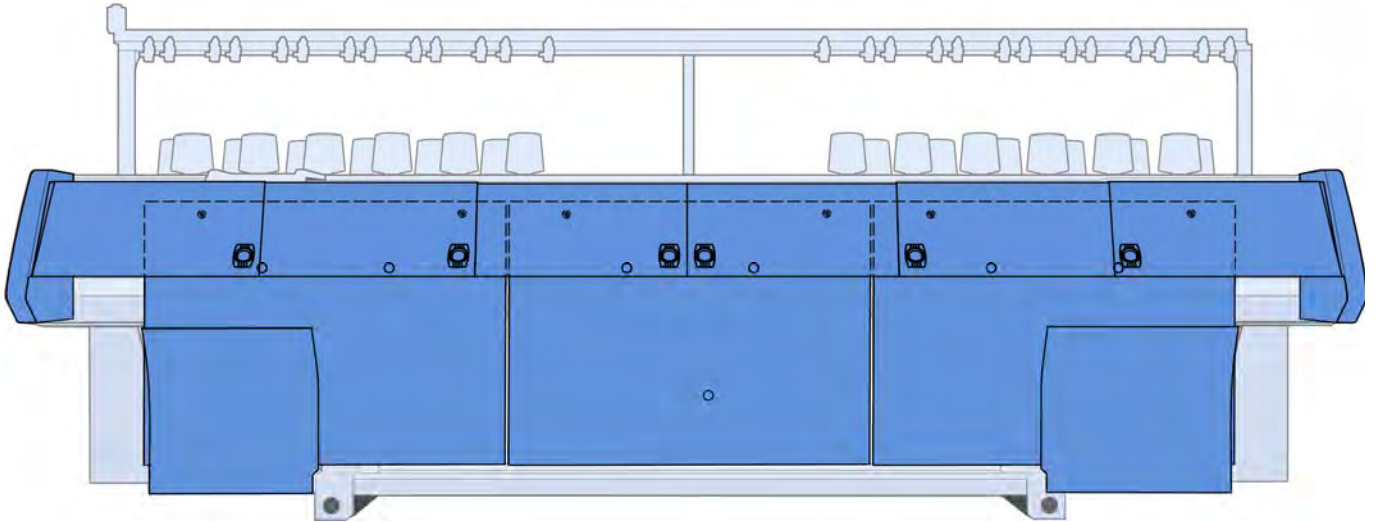


# Measuring device E10 + 16

Pos	Designation	ID No.	Pos	Designation	ID No.
$\Sigma$	<b>Measuring device E10 + E12 + E14 + E16 + E7m.5 + E10m.12 + E12m.10 + E5.2 + E6.2 + E7.2 + E8.2</b>	<b>242 950</b>			
1	Measuring bar	242 358	5	Guidance exterior	251 633
2	Guidance	212 210	500	Countersunk screw	241 603
4	Guidance	240 672	502	U-washer	020 881
540	Set screw	230 803	10*	Measuring head complete	240 562

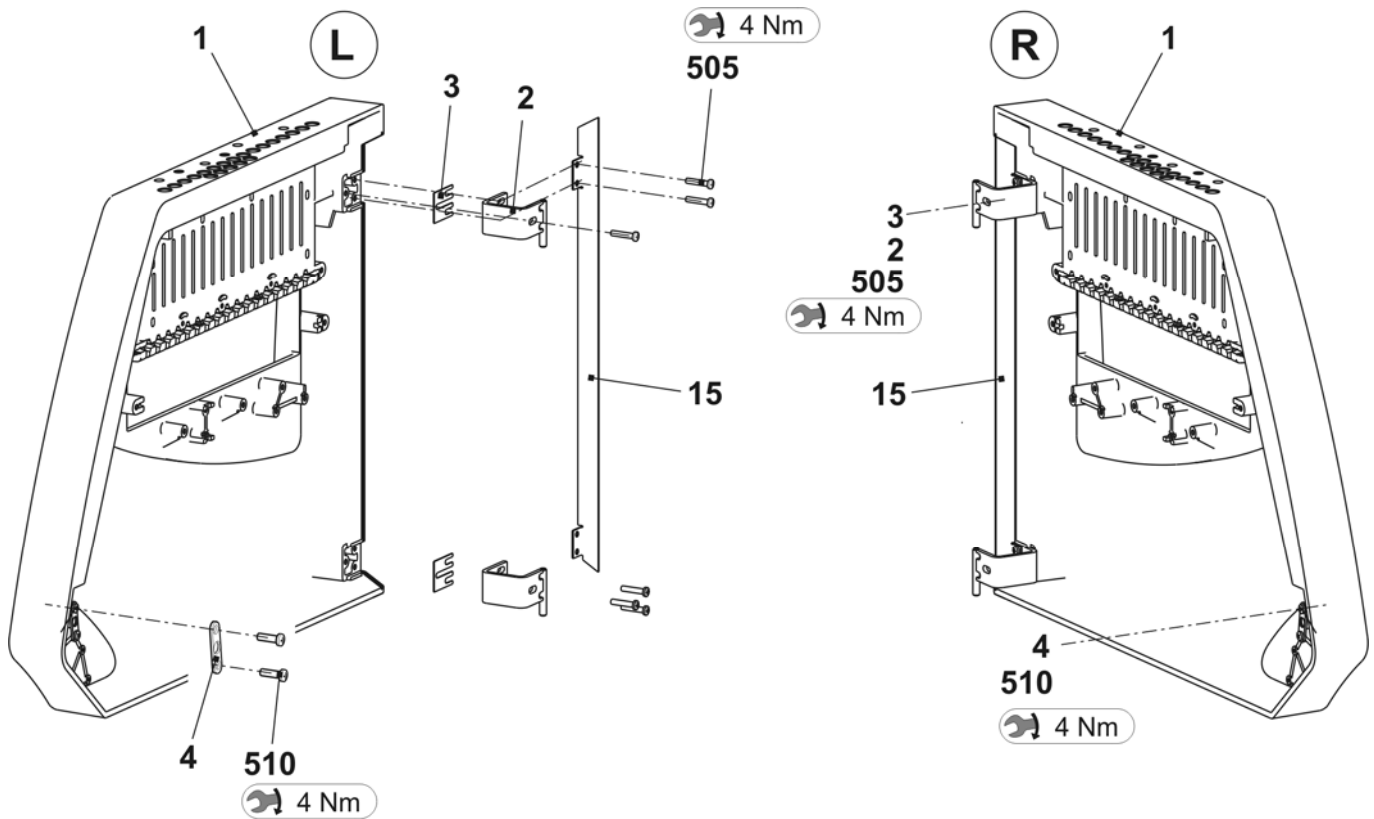


# Protective device



## Lateral safety covers

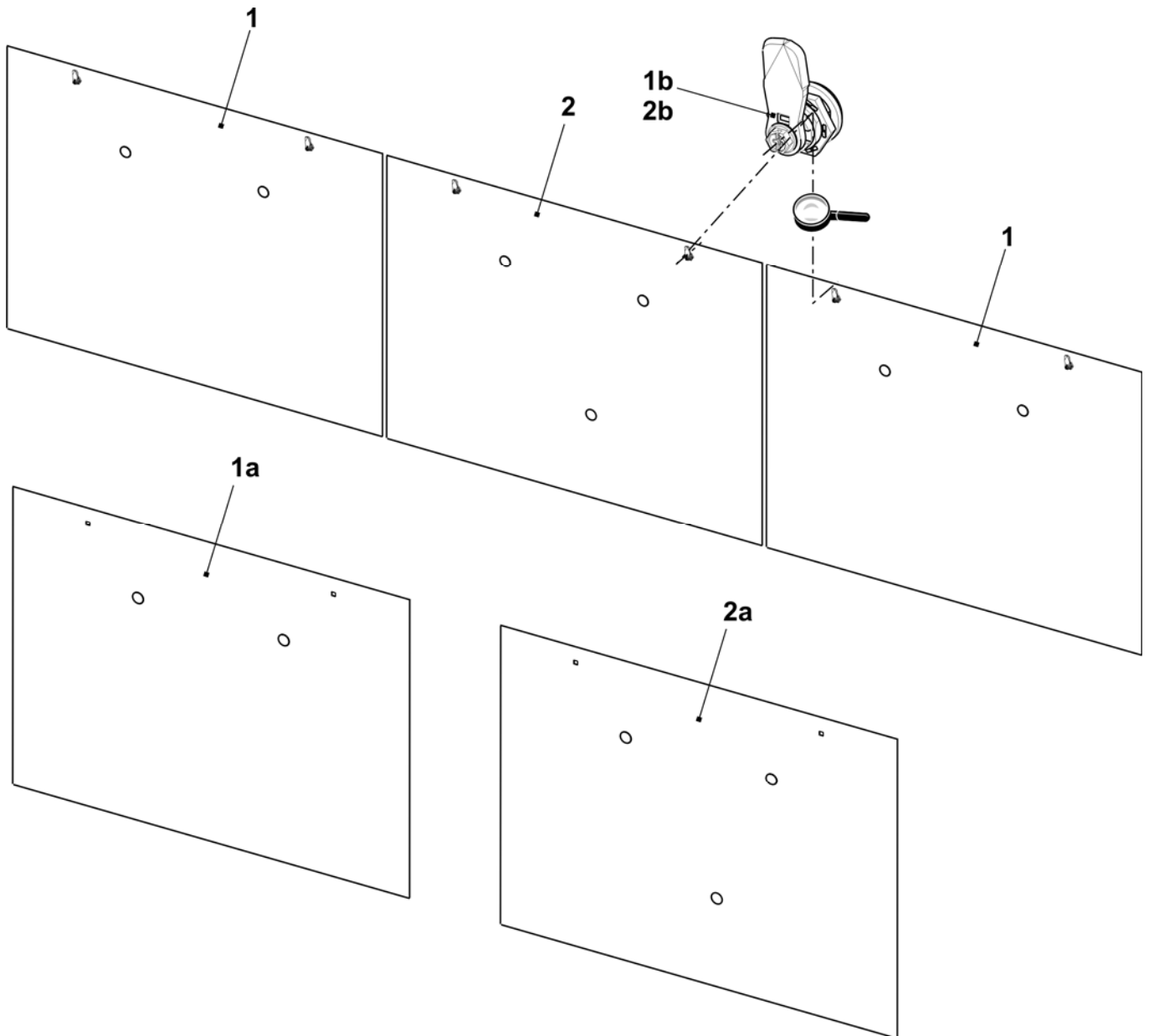
Pos	Designation	ID No.	Pos	Designation	ID No.
<b>Σ</b>	<b>Safety cover on the left</b>		<b>Σ</b>	<b>Safety cover on the right</b>	
1	Safety cover on the left	250 562	1	Safety cover on the right	250 563
2	Hinge left safety cover	242 751	2	Hinge right safety cover	242 752
3	Plate	224 717	3	Plate	224 717
4	Locking plate	219 748	4	Locking plate	219 748
15	Cover at left safety cover	242 749	15	Cover at left safety cover	242 750
505	Screw KB60x30	237 683	505	Screw KB60x30	237 683
510	Screw KB 60x20	237 682	510	Screw KB 60x20	237 682





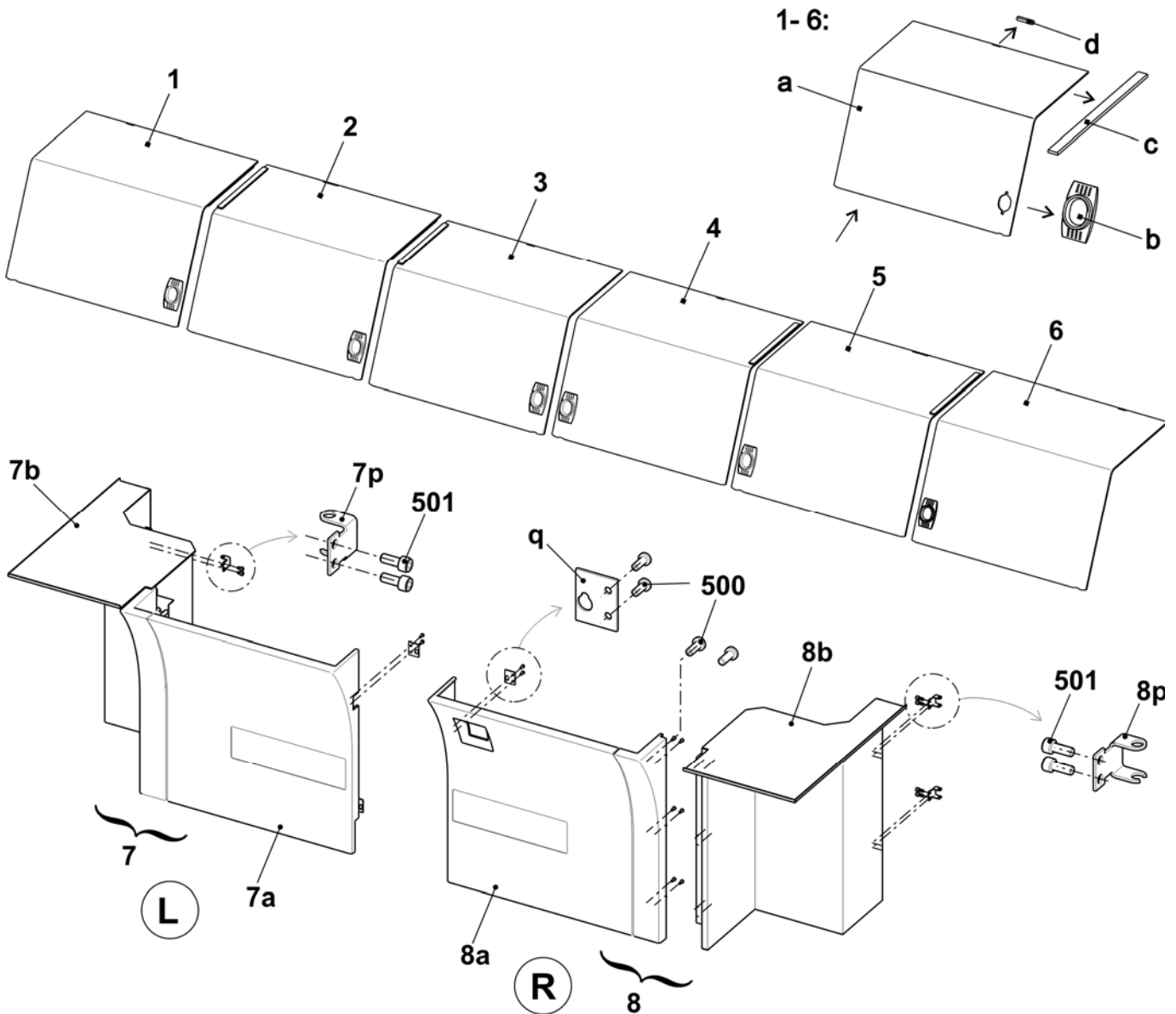
## Rear panel

Pos	Designation	ID No.	Pos	Designation	ID No.
1	<b>Panelling at the rear complete</b>	<b>251 567</b>	2	<b>Panelling at the rear complete</b>	<b>251 573</b>
	A1 Panelling at the rear	251 566		2a Panelling at the rear	251 572
	1b Safety sash fastener complete	243 052		2b Safety sash fastener complete	243 052

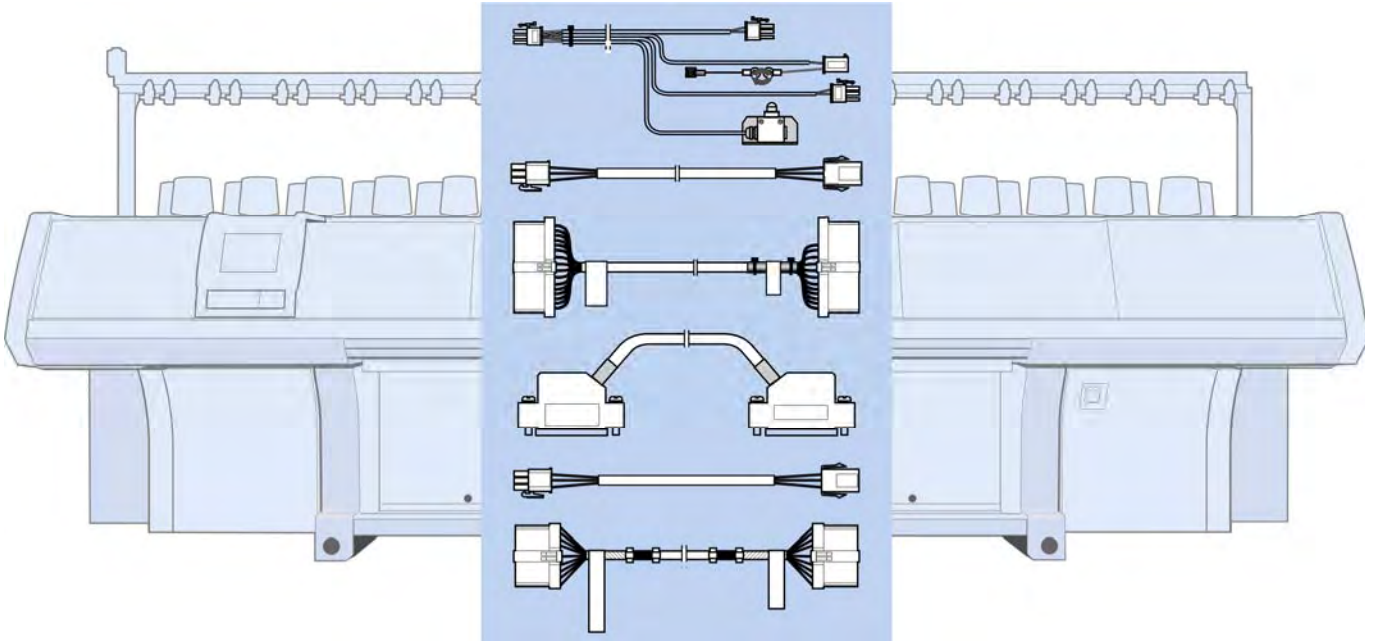


# Panelling



Pos	Designation	ID No.	Pos	Designation	ID No.
1	Cover 1 (complete)	251 292	5	Cover 5 (complete)	251 296
	A1   Cover 1	251 286		A5   Cover 5	251 290
2	Cover 2 (complete)	251 293	6	Cover 6 (complete)	251 297
	2a   Cover 2	251 287		A6   Cover 6	251 291
3	Cover 3 (complete)	251 294	b	Inlet type handle	251 376
	3a   Cover 3	251 288	c	Stripper	219 393
4	Cover 4 (complete)	251 295	d	Magnet	204 666
	A4   Cover 4	251 289			
7	Control unit panelling on the left complete	251 161	8	Control unit panelling on the right complete	251 160
	A7   Control unit panelling on the left	251 188		A8   Control unit panelling on the right	251 189
	7b   Side part on the left	251 162		8b   Side part on the right	251 163
	7p   Hinge on the left	252 890		8q   Hinge on the right	252 891
7/8	q   Strap	240 412	7/8	500   Screw KB 50x12	240 359
				501   Cap screw M6x16	020 135



# Electrical equipment



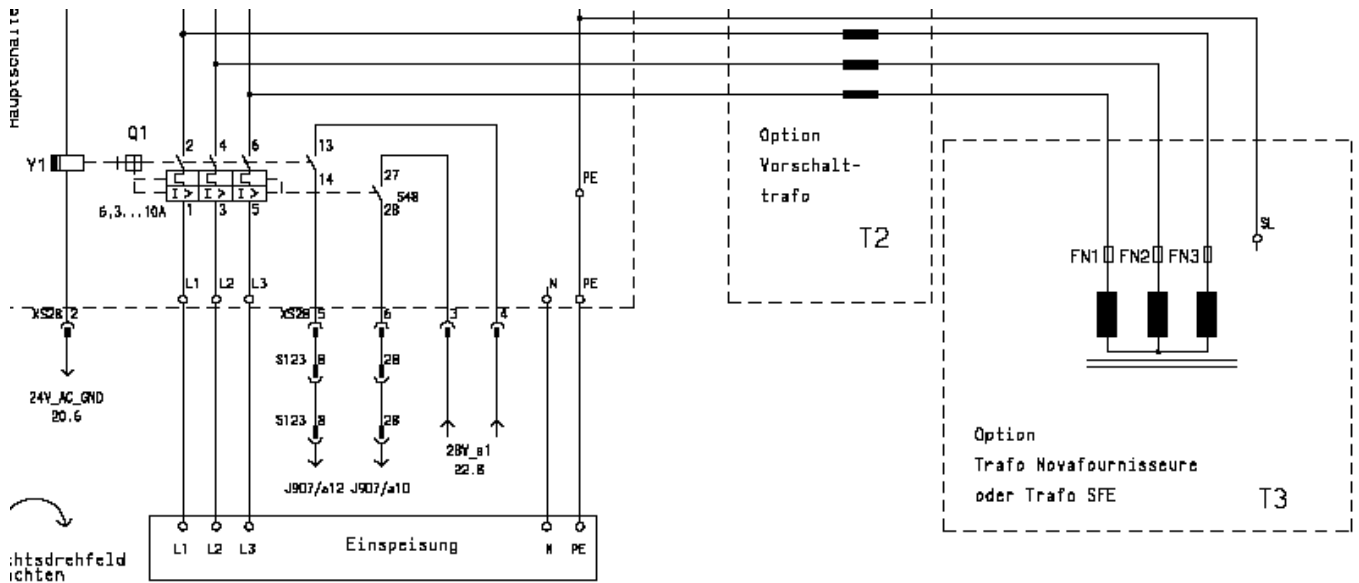
## Fuses

	<i>Designation</i>	<i>ID</i>
	Fuse 1.0A F 5x20	008 748
	Fuse 3,15A T/440V 6,3x32	025 261
	Fuse 10A T/440V 6.3x32	025 258
	Fuse 2,5A T/440V 6,3x32	217 465
	Fuse 1,6A T/440V 6,3x32	236 229
	Fuse 6,3A T/440V 6,3x32	026 809
	Fuse 8A T/440V 6,3x32	241 866
	Fuse 12,5A T/440V 6,3x32	232 367

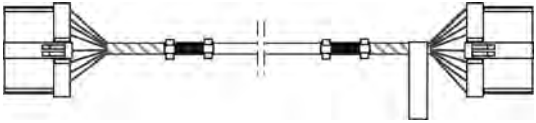
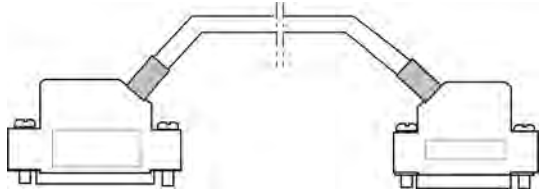
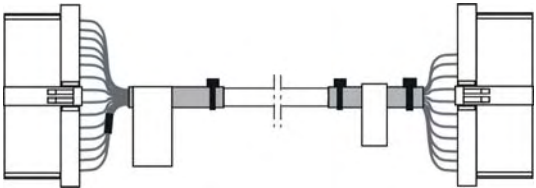
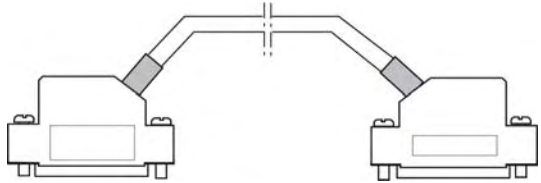
## Circuit diagram as PDF

Designation	ID No.	Marking
Circuit diagram 219 German	243 991	_GB
Circuit diagram 219 English	243 991	_GB
Circuit diagram 219 Chinese	243 991	_CN

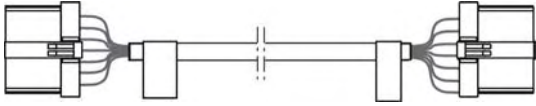
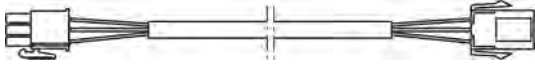
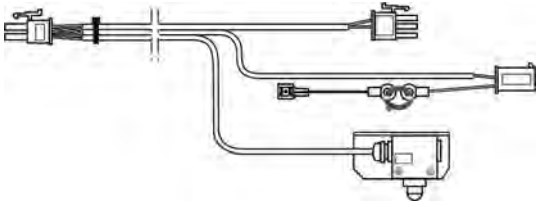
You will find the circuit diagram 219 on the CMS documentation DVD with the ID 253 132.



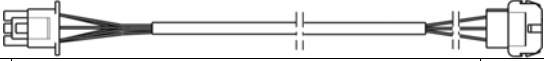



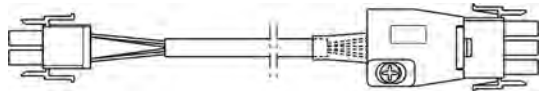
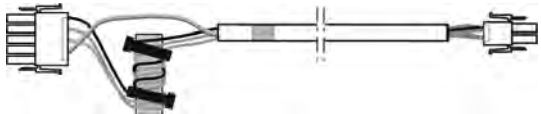
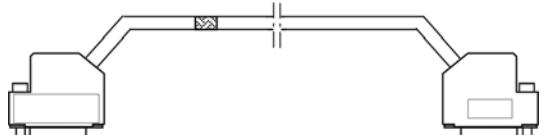
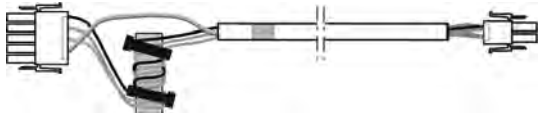
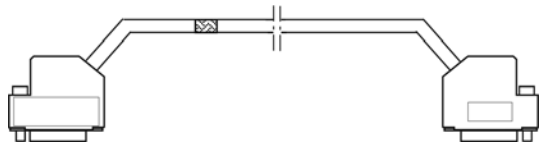
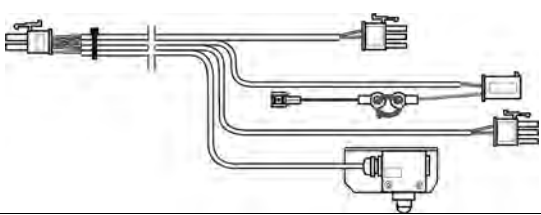

## Trailing cable

<i>Designation</i>	<i>ID No.</i>	<i>Designation</i>	<i>ID No.</i>
Cable impulse giver at the rear on the left XL138, 933 OKC	242 703	Cable SM at the rear on the left XL321, 933 OKC	242 709
Cable impulse giver at the front on the left XL139, 933 OKC	242 704	Cable SM at the rear on the left XL323, 933 OKC	242 711
Cable impulse giver at the rear on the right XL136, 933 OKC	242 705	Cable SM at the rear on the right XL325, 933 OKC	242 713
Cable impulse giver at the front on the right XL137, 933 OKC	242 706	Cable SM at the front on the right XL327, 933 OKC	242 715
			
Cable yarn carrier on the right, 9XX OKC	242 708	Cable signal at the front on the left XL324, 933 OKC	242 712
		Cable signal at the rear on the right XL326, 933 OKC	242 714
		Cable signal at the front on the right XL328, 933 OKC	242 716
			

## Loom of cables 1



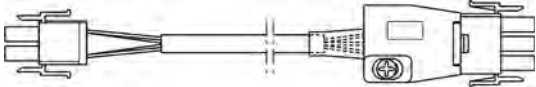

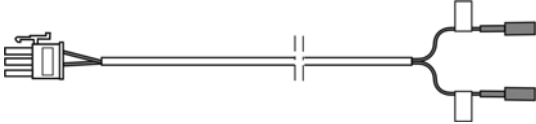
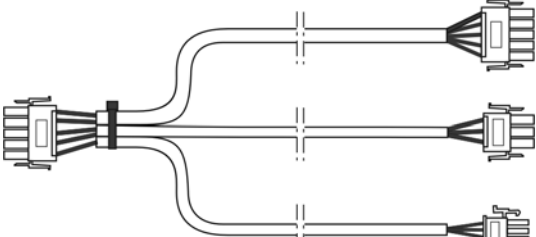
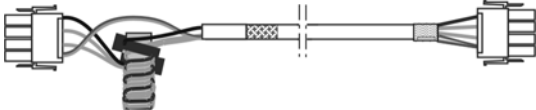

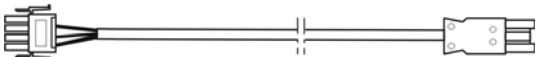


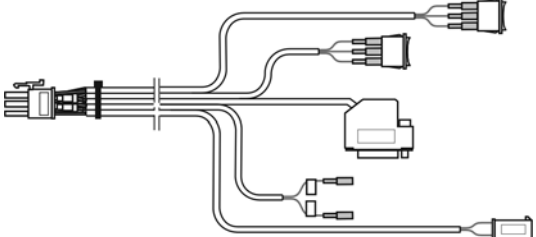
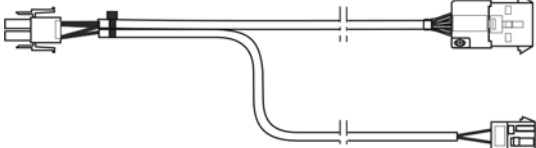
Pos	Designation	ID No.	Pos	Designation	ID No.
<b>Σ</b>	<b>Loom of cables 1 OKC 9XX</b>	<b>242 502</b>			
1	Cable engaging 9XX OKC	242 505	2	Cable mains supply FKE lamp 9XX OKC	242 506
					
3	Cable protective unit on the left 9XX OKC	253 616			
					

## Loom of cables 2

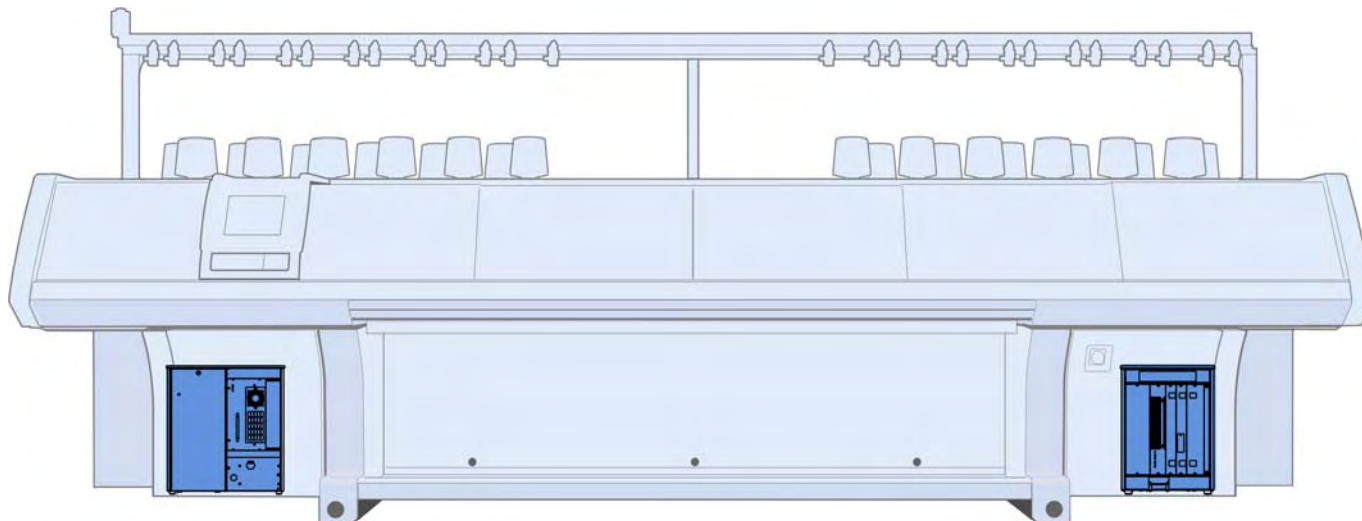
Pos	Designation	ID No.	Pos	Designation	ID No.
<b>Σ</b>	<b>Loom of cables 2 OKC 9XX</b>	<b>242 503</b>			
1	Cable motor HIAB pressure roller 96" OKC	242 508	2	Cable impulse giver pressure roller 96" OKC	242 509
					
3	Cable limit switch racking 9XX OKC	242 510	4	Cable ventilator drive 9XX OKC	242 511
					
5	Cable feed wheel on the right 96" OKC	242 512	6	Cable drive motor 9XX OKC	242 513
					
7	Cable resolver drive 9XX OKC	242 514	8	Cable racking motor 9XX OKC	242 515
					
9	Cable resolver racking 9XX OKC	242 516	10	Cable protective unit on the right 9xx OKC	253 615
					
11	Cable fabric sensor OKC	242 518			
					



## Loom of cables 3

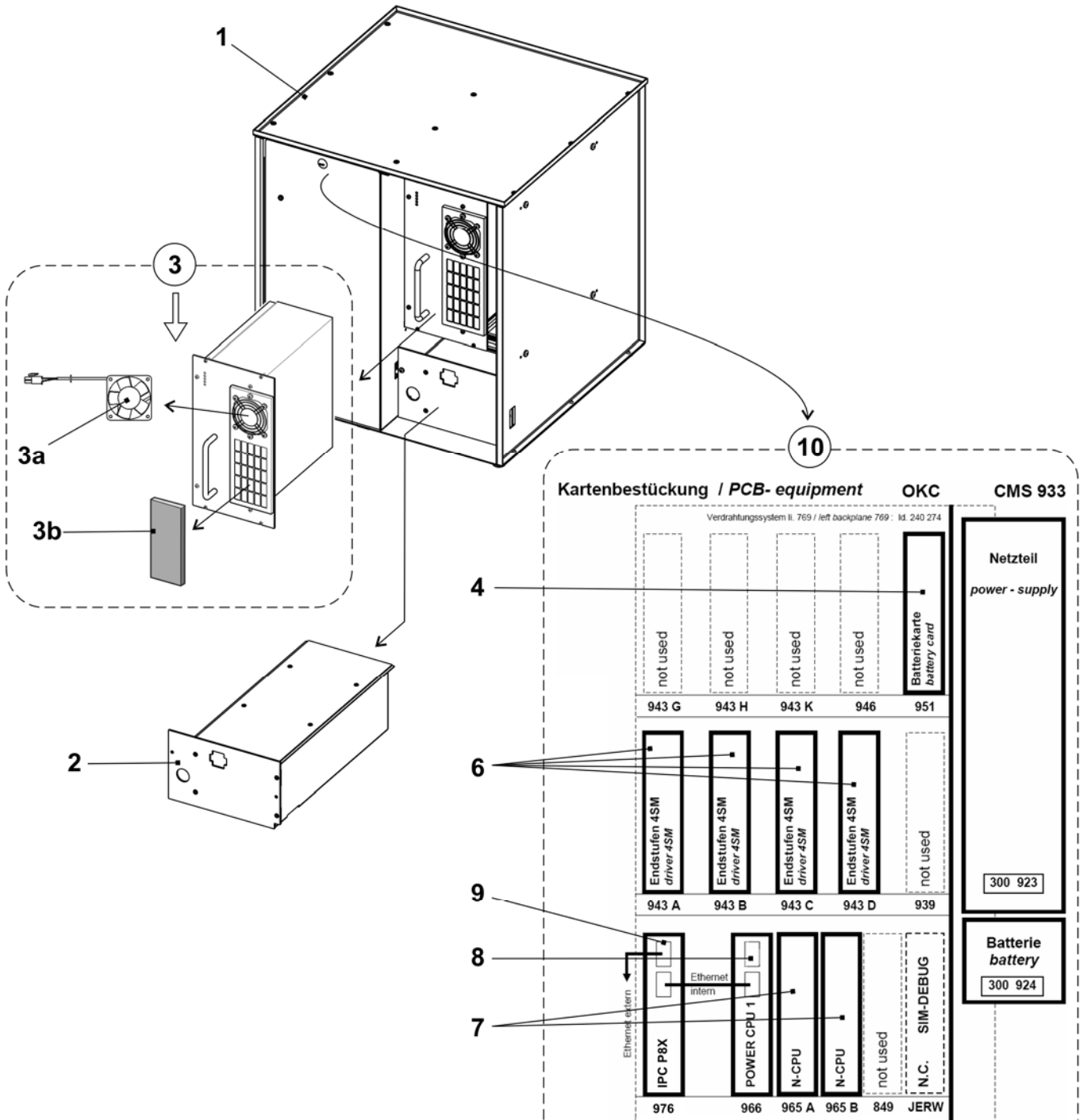
Pos	Designation	ID No.	Pos	Designation	ID No.
<b>Σ</b>	<b>Loom of cables 3. 96" OKC</b>	<b>242 504</b>			
1	Cable CAN 96" OKC	242 522	2	Cable electro 96" OKC	242 523
					
3	Cable feed wheel on the left 96" OKC	242 524	4	Cable motor HAAB 9XX OKC	242 521
					
5	Cable switch HAAB 96" OKC	242 520	6	Cable power supply WAZ/F 96" OKC	242 765
					
7	Cable power supply Servo 96" OKC	242 766	8	Cable power supply of power supply unit 96" OKC	242 767
					
9	Cable power supply lighting 96" OKC	242 768	10	Cable motor HIAB 96" OKC	242 525
					
11	Cable impulse giver HIAB 96" OKC	242 526	12	Cable impulse giver HAAB 96" OKC	242 519
					
13	Cable power supply FLENT 96" OKC	251 232			
					

# Control electronics



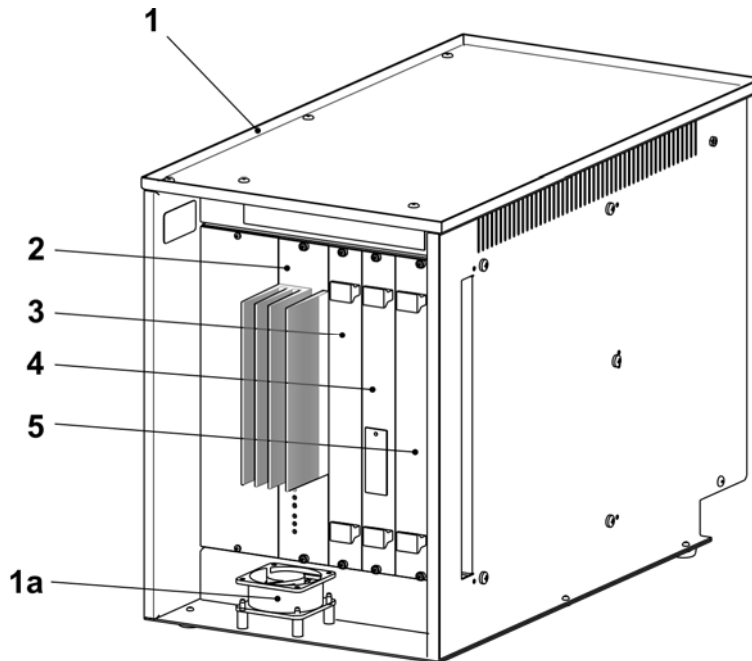
# Left control cabinet

Pos	Designation	ID No.	Pos	Designation	ID No.
<b>Σ</b>	<b>Control unit on the left complete 933 okc</b>	<b>240 761</b>	4	Card battery OKC	300 951
1	Control unit on the left without equipment	240 757	6	Card amplifier 4SM 7TE	300 943
2	Battery plug-in unit	300 924	7	Card N-CPU 432	300 965
3	Power supply unit CG54	300 923	8	Card power CPU1	300 966
	3a Ventilator power supply unit	239 305	9	Card IPC P8X OKC	300 976
	3b Filter mat CG54	239 350	10	Adhesive label of card equipment	242 483

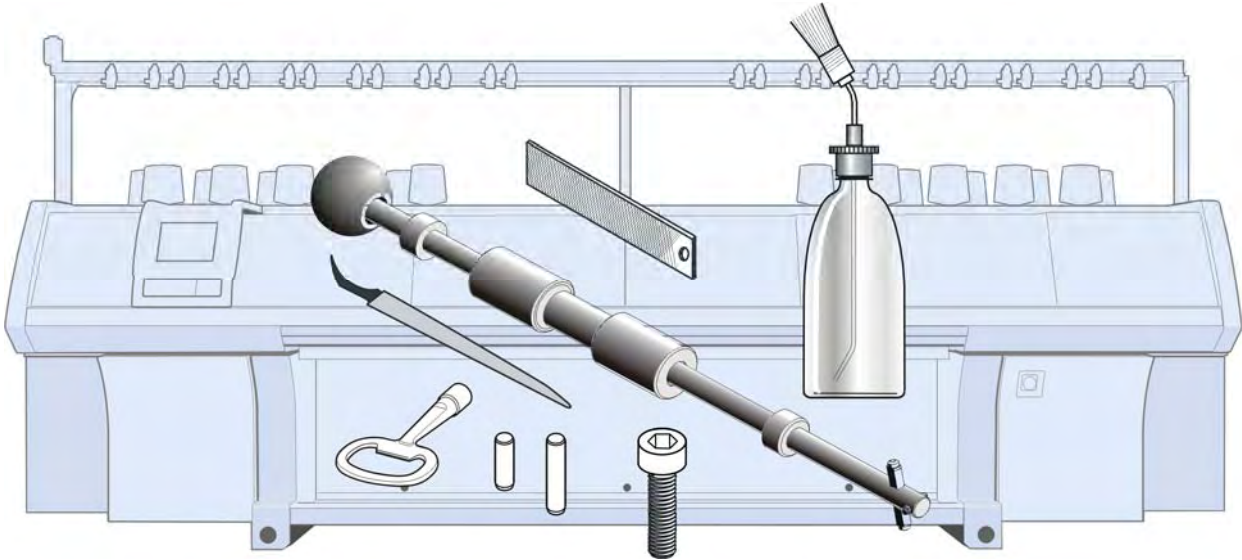


## Right control cabinet

Pos	Designation	ID No.	Pos	Designation	ID No.
$\Sigma$	<b>Control unit on the right complete OKC</b>	<b>238 738</b>			
1	Control unit on the right without equipment	238 737	3	Card relay OKC	300 953
A1	Axial fan Servo 5	229 059	4	Card CWAZ	300 929
2	Card servo	301 000	5	Card CWAZ capacitor	300 936



## Deliverable accessories

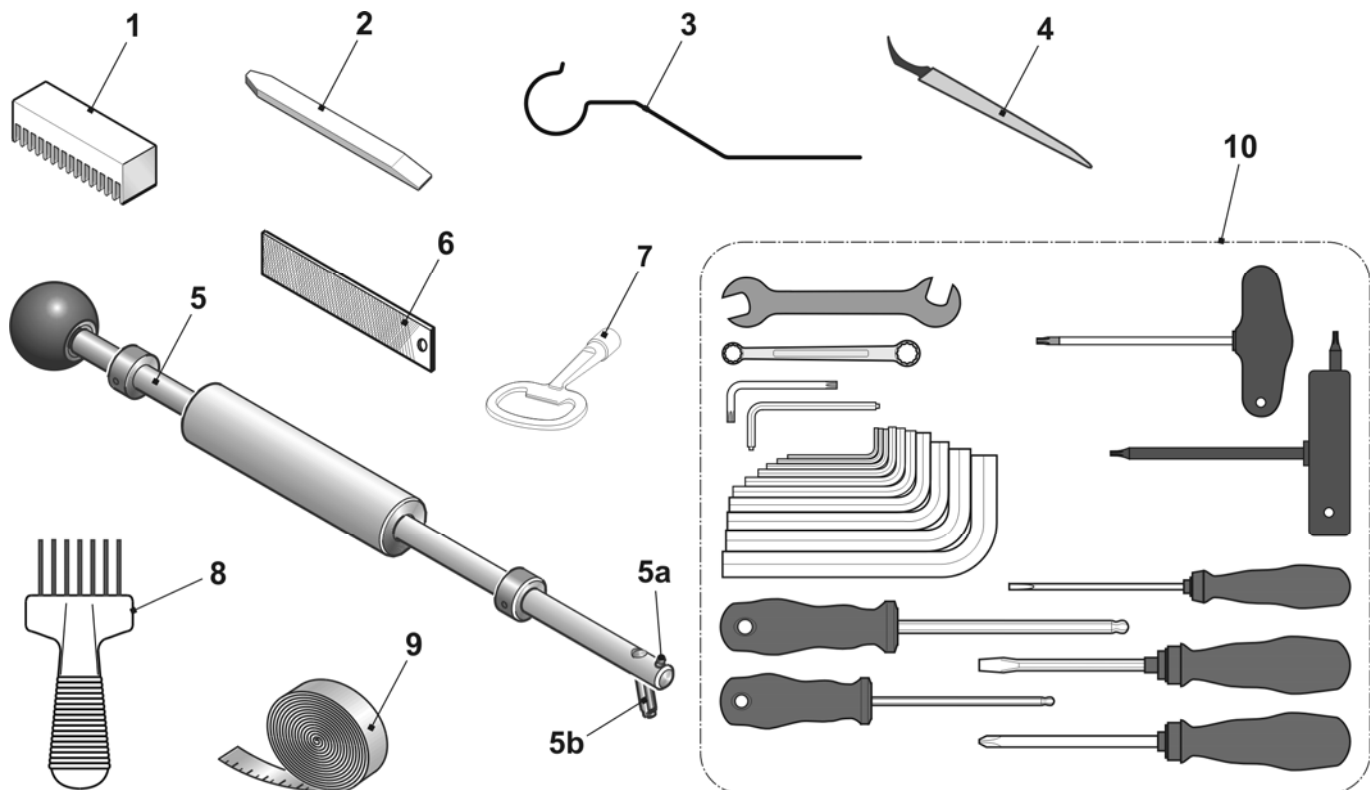


You can order the following tools, lubricants and expendables.

The following list does not correspond to the scope of delivery of the knitting machine.

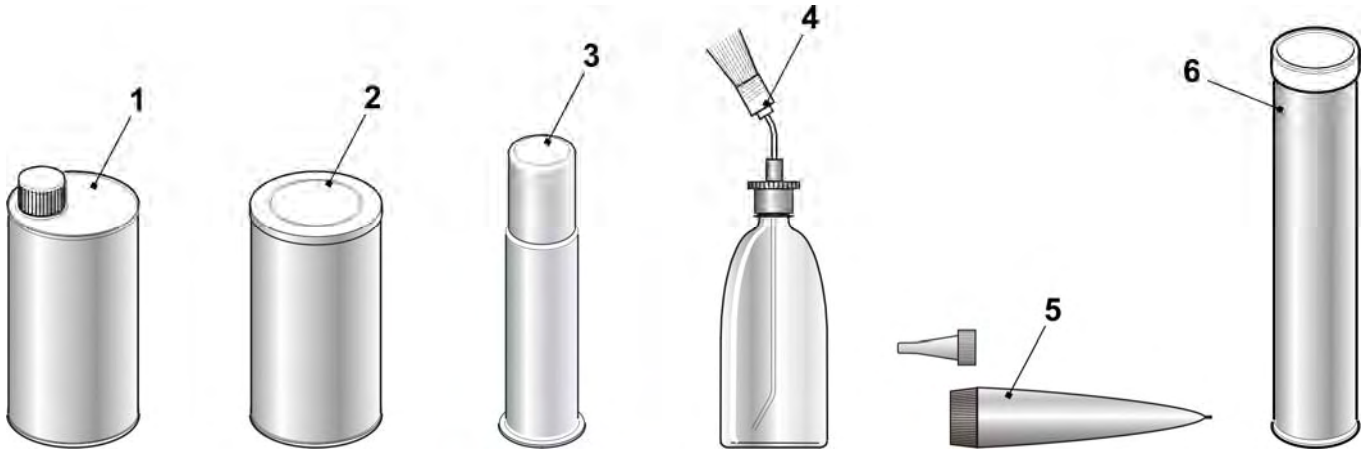
# Tool

Pos	Designation	ID	Pos	Designation	ID
1	Channel support E4	062 309	6	Groove file 1.33mm E3-4	006 169
	Channel support E5, E2,5.2	062 310		Groove file 1.25 mm E5-8, E3,5.2	006 170
	Channel support E7, E3,5.2	062 312		Groove file 0.90 mm E10-12, E5.2 + 6.2	006 175
	Channel support E8	062 313		Groove file 0.73 mm E14, E7.2	006 173
	Channel support E10, E5.2	062 314		Groove file 0.45 mm E16-18, E9.2	006 179
	Channel support E12, E6.2	062 315		7	Key of switch cabinet
	Channel support E14, E7.2	218 069	8		Groove cleaner E4
	Channel support E16, E8.2	230 188		Groove cleaner E5	031 233
	Channel support E18, E9.2	230 189		Groove cleaner E6	031 234
	Channel support E20	230 190		Groove cleaner E7, E3,5.2	031 235
2	Channel chisel E14-20 (E5-14)	062 316		Groove cleaner E8	031 236
	Channel chisel E4-8 (E3,5.2)	062 317		Groove cleaner E10 (E5.2)	031 238
	Channel chisel E10-14	062 318		Groove cleaner E12 (E6.2)	031 240
3	Yarn guide on the left	227 071		Groove cleaner E14 (E7.2)	031 242
	Yarn guide on the right	227 070		Groove cleaner E16	225 111
4	Working hook	227 249		Groove cleaner E18 (E9.2)	225 112
5	Extraction hook	232 027	Groove cleaner E20	225 113	
	A5 Small pin	202 843	9	Measuring tape L=150 cm	228 180
	5b Pin	232 022		10	Tool kit



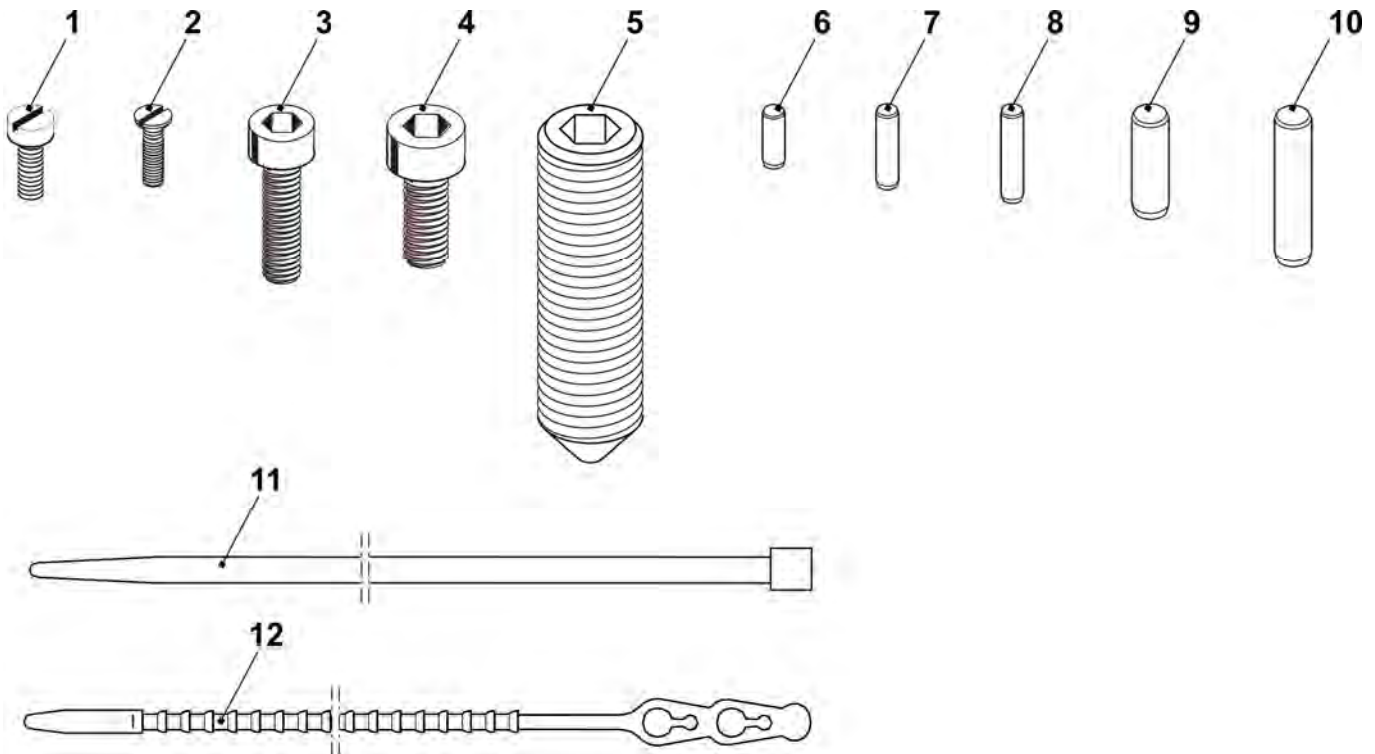
## Lubricating stuff

Pos	Designation	ID	Pos	Designation	ID
1	Textile machines oil T46, 1l	230 614	4	Oil combifix	216 732
2	Grease OKS 475, 1kg	009 200	5	White grease paste OKS270	229 372
3	Grease OKS 475, 150g	005 351	6	Grease Staburags NBU 12/300KP	231 191



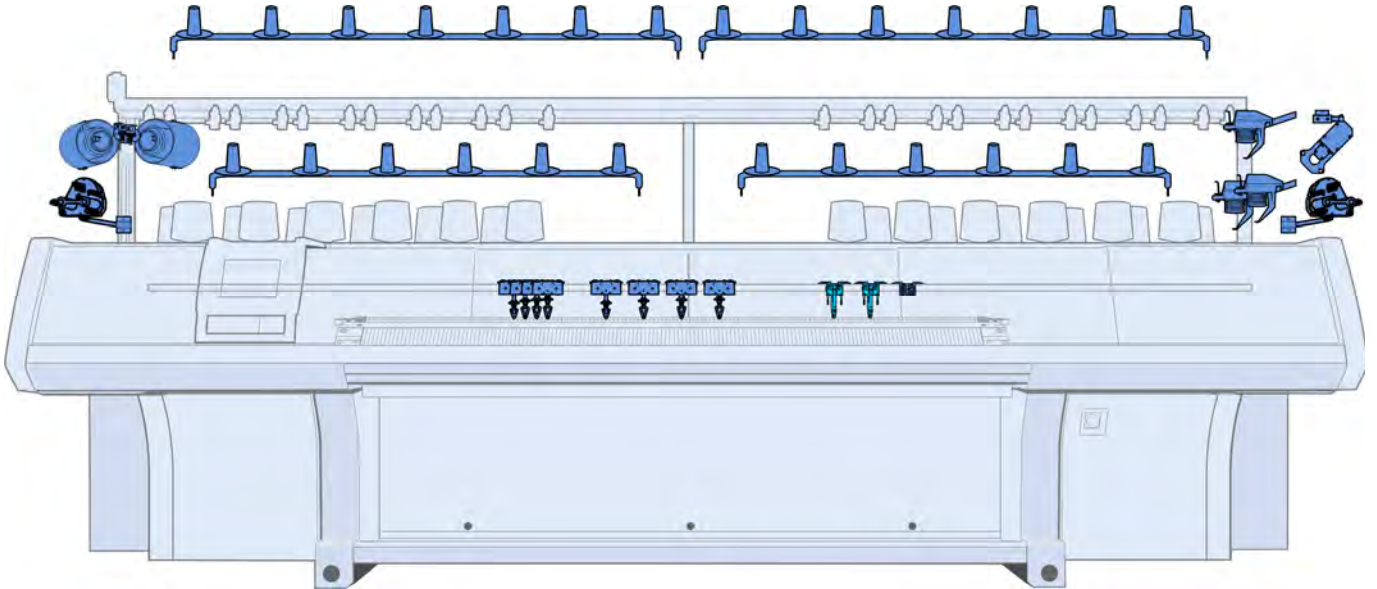
## Mechanical parts

Pos	Designation	ID	Pos	Designation	ID
1	Cap screw M4x8	020 091	11	Cable binder 203x3,6mm	025 815
2	Countersunk screw M3x6	020 286		Cable binder T50L	026 294
3	Cap screw M5x16	022 726		Cable binder 140x3,6mm	008 379
4	Cap screw M6x14	022 658		Cable binder 302x4,8mm	008 642
5	Set screw M16x50	023 235		Cable binder 92x2,4mm	008 378
6	Setting pin 3x7	020 643	12	Reusable tie ABV 232 320 mm	026 557
7	Setting pin 3x10	020 645			
8	Setting pin 3x12	020 647			
9	Setting pin 5x12	021 988			
10	Setting pin 5x18	022 622			



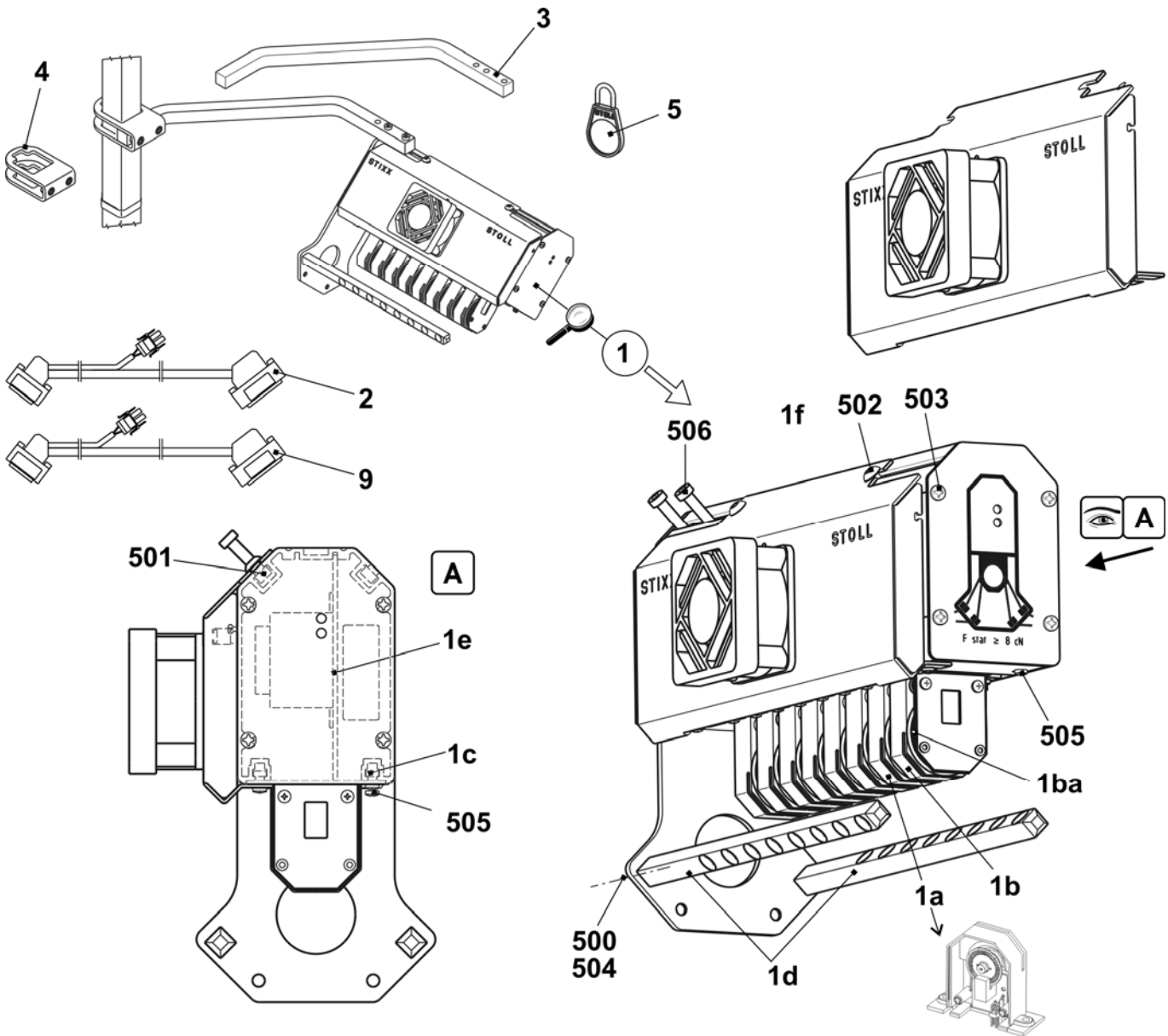


# Special attachments



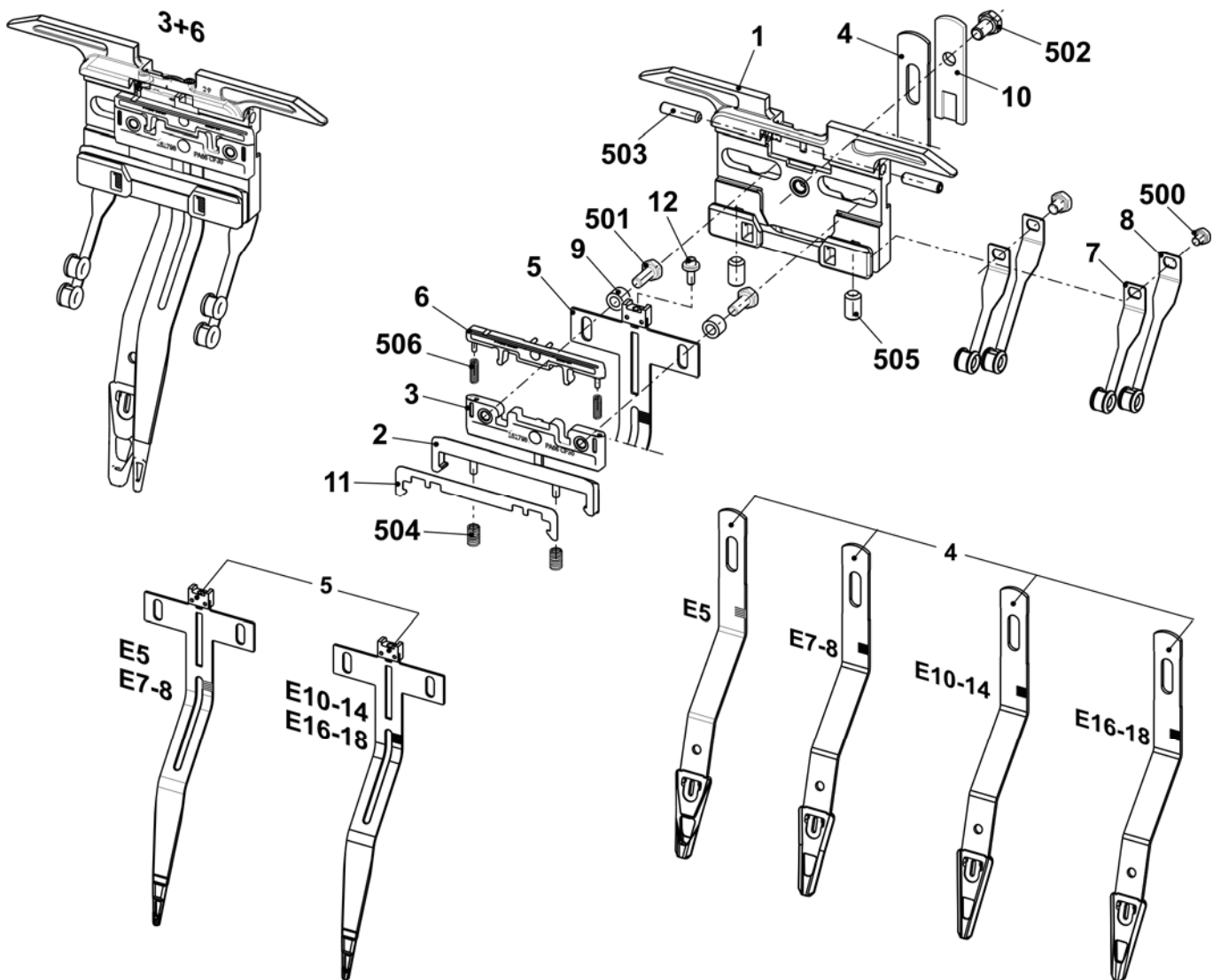
# STIXX device

Pos	Designation	ID No.	Pos	Designation	ID No.
<b>Σ</b>	<b>Yarn length measuring device</b>	<b>223 382</b>	4	Clamp	223 025
1	Yarn length measuring device 3	236 275	5	Adjustment weight	212 241
A1	Sensor	211 354	9	Cable length measuring MSLU7	225 114
1b	Sensor complete	212 406	500	Countersunk screw M5x10	023 247
1ba	Rubber running ring	212 390	501	Spring nut M5	022 873
1c	Threaded strip	211 801	502	Countersunk screw M5x6	023 246
1d	Yarn guide rod	211 352	503	Sheet metal screw ST3.5x13	022 940
1e	Card STIXX-CPU	300 934	504	Spring washer A5	022 454
F 1	Ventilator complete	212 255	505	Oval head screw M3x10	023 380
2	Cable length measuring	236 718	506	Cap screw M5x22	023 193
3	Support	223 030			



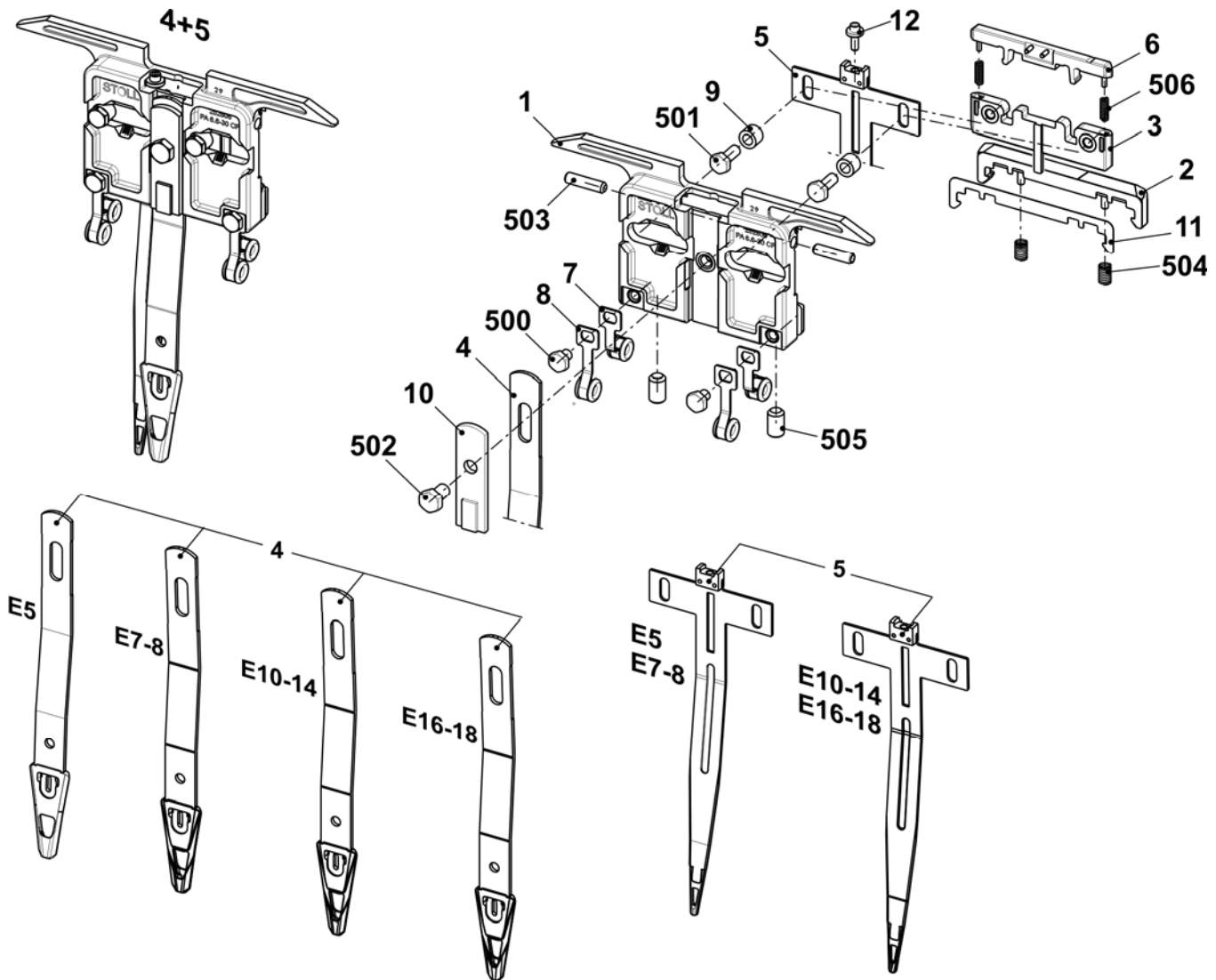
## Plating yarn carrier 3+6

Pos	Designation	ID	Pos	Designation	ID
<b>Σ</b>	<b>Plating yarn carrier carriage 3+6 co.</b>		6	Sliding piece	252 797
	<b>E5 + E2,5.2 + E3,5.2 + E5.2</b>	<b>252 782</b>	7	Eyelet holder complete	252 825
	<b>E7 + E8 + E6.2</b>	<b>252 784</b>	8	Eyelet holder complete	252 824
	<b>E10 + E12 + E14 + E7.2 + E8.2</b>	<b>252 786</b>	9	Spacer	252 796
	<b>E16 + E18 + E9.2</b>	<b>252 788</b>	10	Shim	213 035
1	Plating yarn carrier carriage	252 806	11	Shim	216 143
2	Sliding piece	212 583	12	Adjusting screw	253 436
3	Slider	252 798	500	Hexagon screw M4x5	243 779
4	Plating yarn carrier bow 3+6		501	Hexagon screw M4x10	020 346
	E5	252 820	502	Hexagon screw	252 832
	E7-8	252 821	503	Set screw M4x16	254 196
	E10-14	252 822	504	Compression spring	021 399
	E16-18	252 823	505	Threaded bolt	213 399
5	Plating yarn carrier bow 3+6 E5-8	252 800	506	Compression spring	253 058
	Plating yarn carrier bow 3+6 E10-18	252 808			



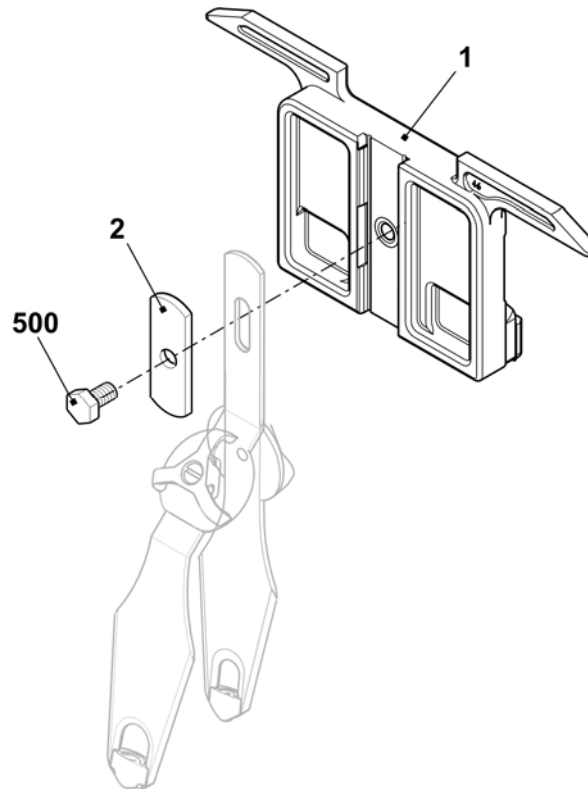
# Plating yarn carrier 4+5

Pos	Designation	ID	Pos	Designation	ID
<b>Σ</b>	<b>Plating yarn carrier carriage 4+5 co.</b>				
	<b>E5 + E2,5.2 + E3,5.2 + E5.2</b>	<b>252 781</b>	6	Sliding piece	252 797
	<b>E7 + E8 + E6.2</b>	<b>252 783</b>	7	Eyelet holder complete	252 815
	<b>E10 + E12 + E14 + E7.2 + E8.2</b>	<b>252 785</b>	8	Eyelet holder complete	252 816
	<b>E16 + E18 + E9.2</b>	<b>252 787</b>	9	Spacer	252 796
1	Plating yarn carrier carriage	252 806	10	Shim	213 035
2	Sliding piece	212 583	11	Shim	216 143
3	Slider	252 798	12	Adjusting screw	253 436
4	Plating yarn carrier bow 4+5		500	Hexagon screw M4x5	243 779
	E5	252 790	501	Hexagon screw M4x10	020 346
	E7-8	252 791	502	Hexagon screw	252 832
	E10-14	252 792	503	Set screw M4x16	254 196
	E16-18	252 793	504	Compression spring	021 399
5	Plating yarn carrier bow 4+5 E5-8	252 799	505	Threaded bolt	213 399
	Plating yarn carrier bow 4+5 E10-18	252 807	506	Compression spring	253 058



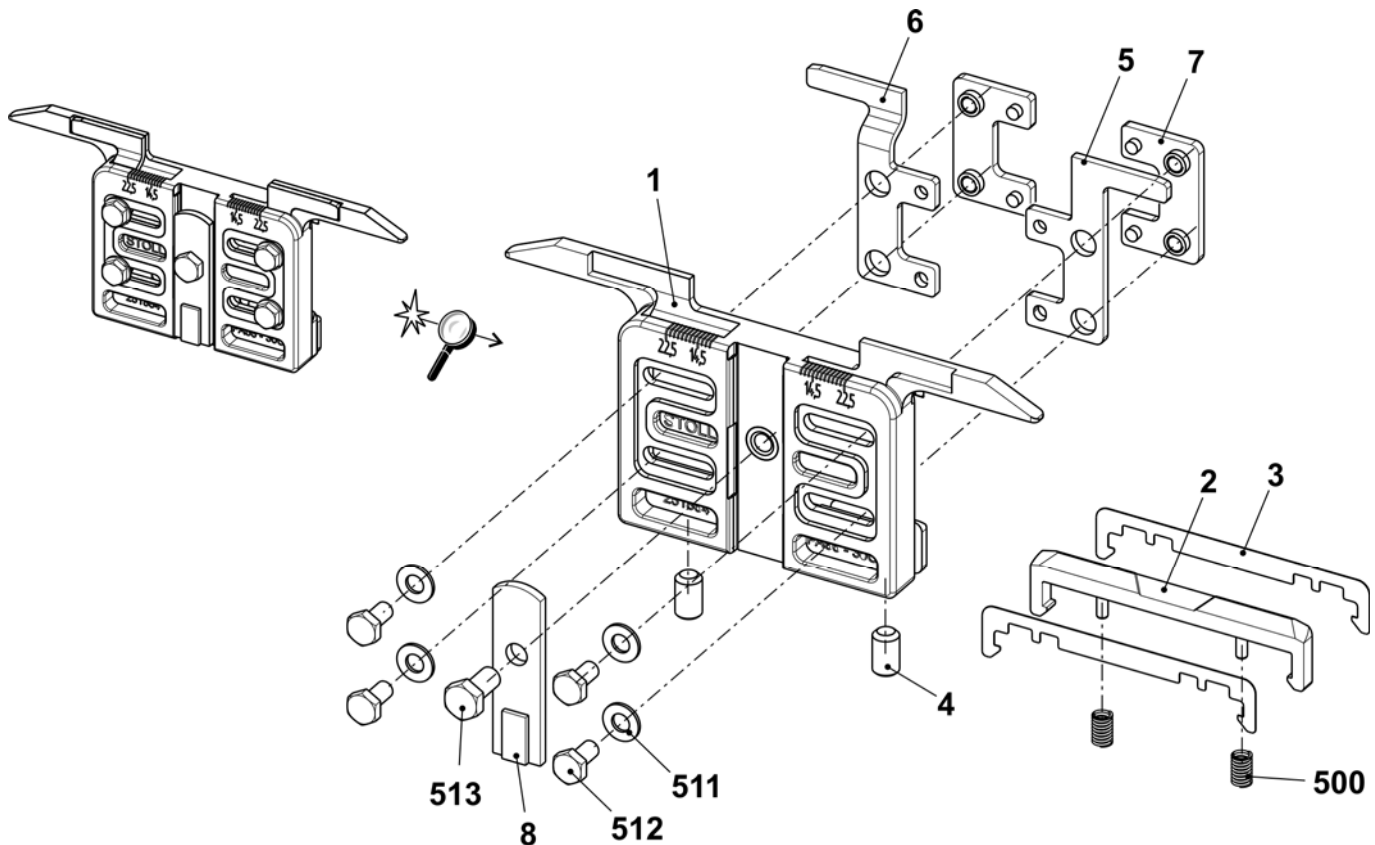
## Carriage of plating yarn carrier

Pos	Designation	ID	Pos	Designation	ID
<b>Σ</b>	<b>Carriage of plating YC co. E5-18</b>	<b>244 998</b>			
1	YC carriage MW46	244 253	500	Hexagon screw M5x10	020 351
2	Shim	213 035			



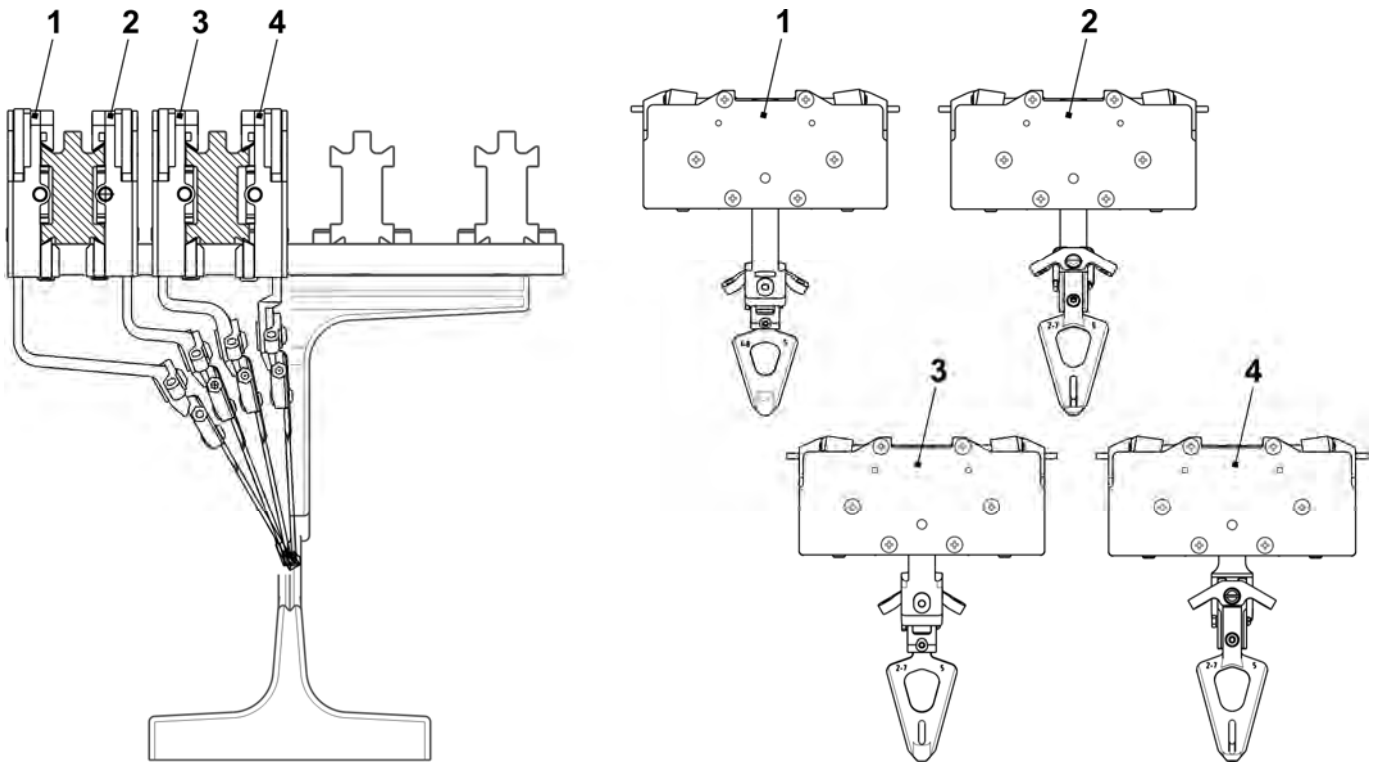
## Carriage of plating yarn carrier (adjustable)

Pos	Designation	ID	Pos	Designation	ID
<b>Σ</b>	<b>Plating yarn carrier carriage co.</b>	<b>251 867</b>			
1	Carriage of yarn carrier	251 864	7	Guiding part	253 226
2	Sliding piece	212 583	8	Shim	213 035
3	Shim	216 143	500	Compression spring	021 399
4	Threaded bolt	213 399	511	U-washer 4	022 481
5	Insert on the right	251 866	512	Hexagon screw M4x8	022 461
6	Insert on the left	251 865	513	Hexagon screw M5x10	020 351



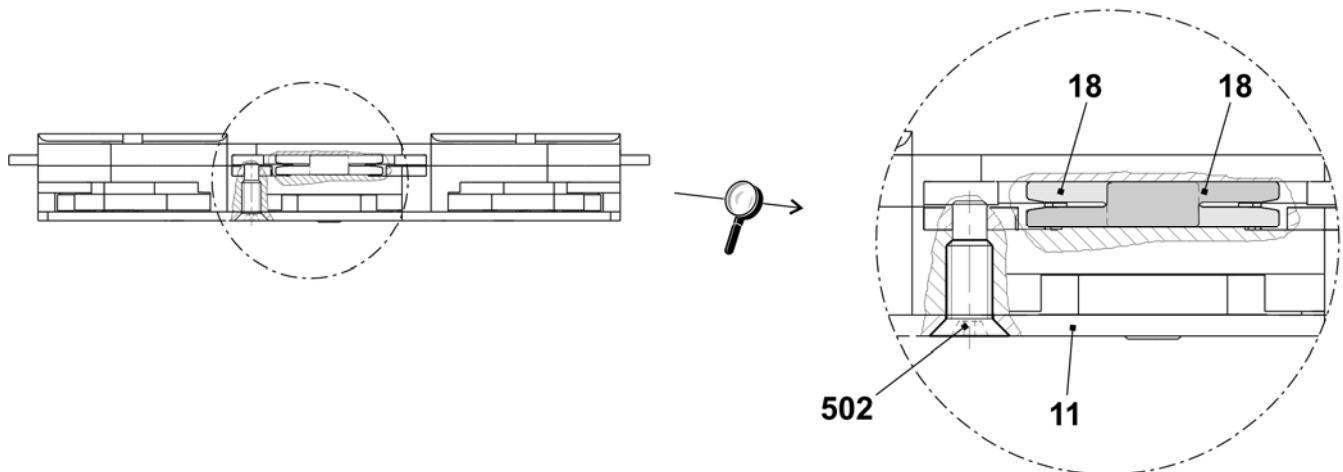
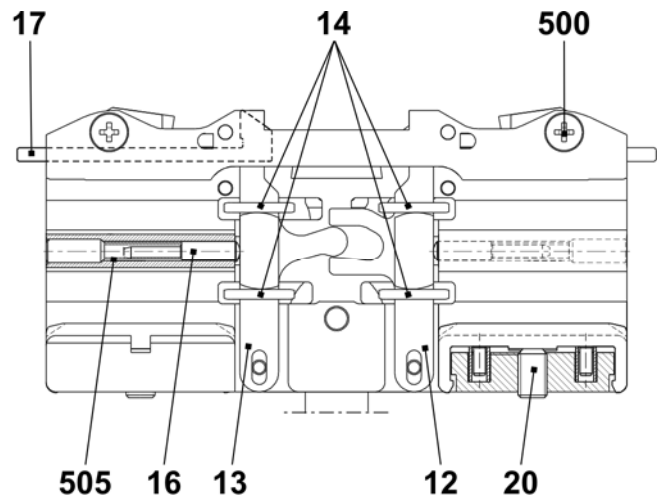
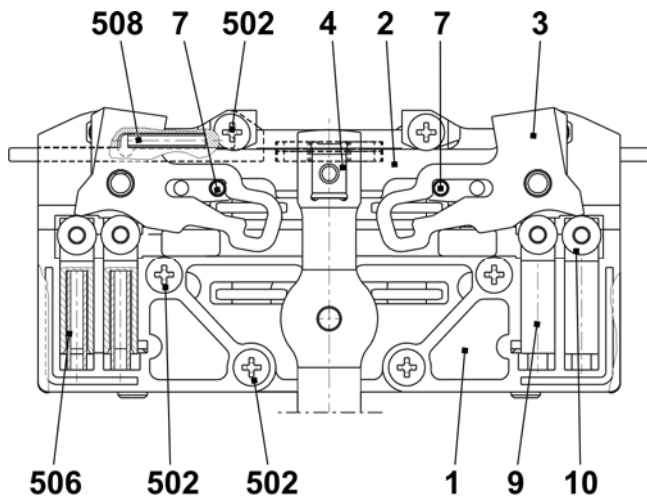
## Complete intarsia yarn carriers type 1

Designation	Gauge	Track	Pos	ID	Designation	Gauge	Track	Pos	ID
IYC carriage complete	E5	1 + 8	1	212 974	IYC carriage complete	E14	1 + 8	1	214 146
	E2,5.2	2 + 7	2	212 977		E8.2	2 + 7	2	214 147
	E 3,5.2	3 + 6	3	212 980			3 + 6	3	214 148
	E5.2	4 + 5	4	212 983			4 + 5	4	214 149
	E7 - E8	1 + 8	1	212 975		E16 - E18	1 + 8	1	227 126
		2 + 7	2	212 978			2 + 7	2	227 127
		3 + 6	3	212 981			3 + 6	3	227 128
		4 + 5	4	212 984			4 + 5	4	227 129
	E10 - E12	1 + 8	1	212 976					
		E6.2(12)	2 + 7	2		212 979			
		E7.2	3 + 6	3		212 982			
		E9.2	4 + 5	4		212 985			



## Carriage IYC

Pos	Designation	ID	Pos	Designation	ID
1	Basic plate complete	216 031	14	Pressure plate 2.04	201 654
	20 Threaded bolt	213 399		Pressure plate 2.06	208 924
2	Slider complete	217 170		Pressure plate 2.02	235 740
3	Locking plunger	212 508	16	Spring pin	201 677
4	Sliding block	213 807	17	Lifter	212 547
7	Locating pin 3.3	212 504	18	Sliding part	212 543
	Locating pin 3.4	212 505	20	Threaded bolt	213 399
	Locating pin 3.3	212 506	500	Countersunk head screw M4x6	022 994
9	Thrust piece	212 773	502	Countersunk head screw M4x12.5	022 979
10	Pressure roller	212 774	505	Compression spring 0,4x3,2x26,5	022 982
11	Cover	212 507	506	Compression spring 4.0x0.7x25	022 969
12	Clamping lever on the right	216 087	508	Compression spring 2.8x0.35x19	023 394
13	Clamping lever on the left	216 0 88			

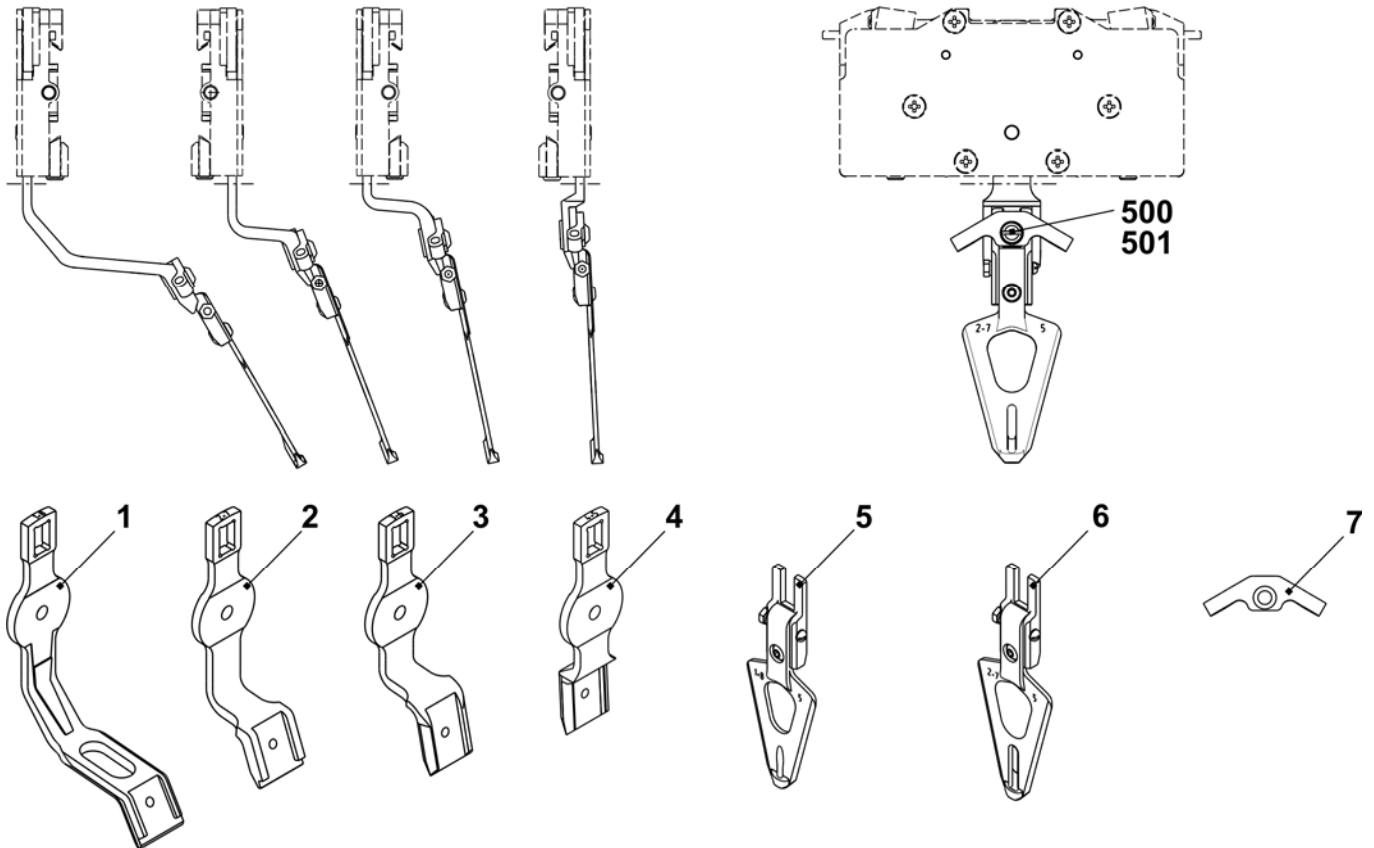




## Bow and head IYC

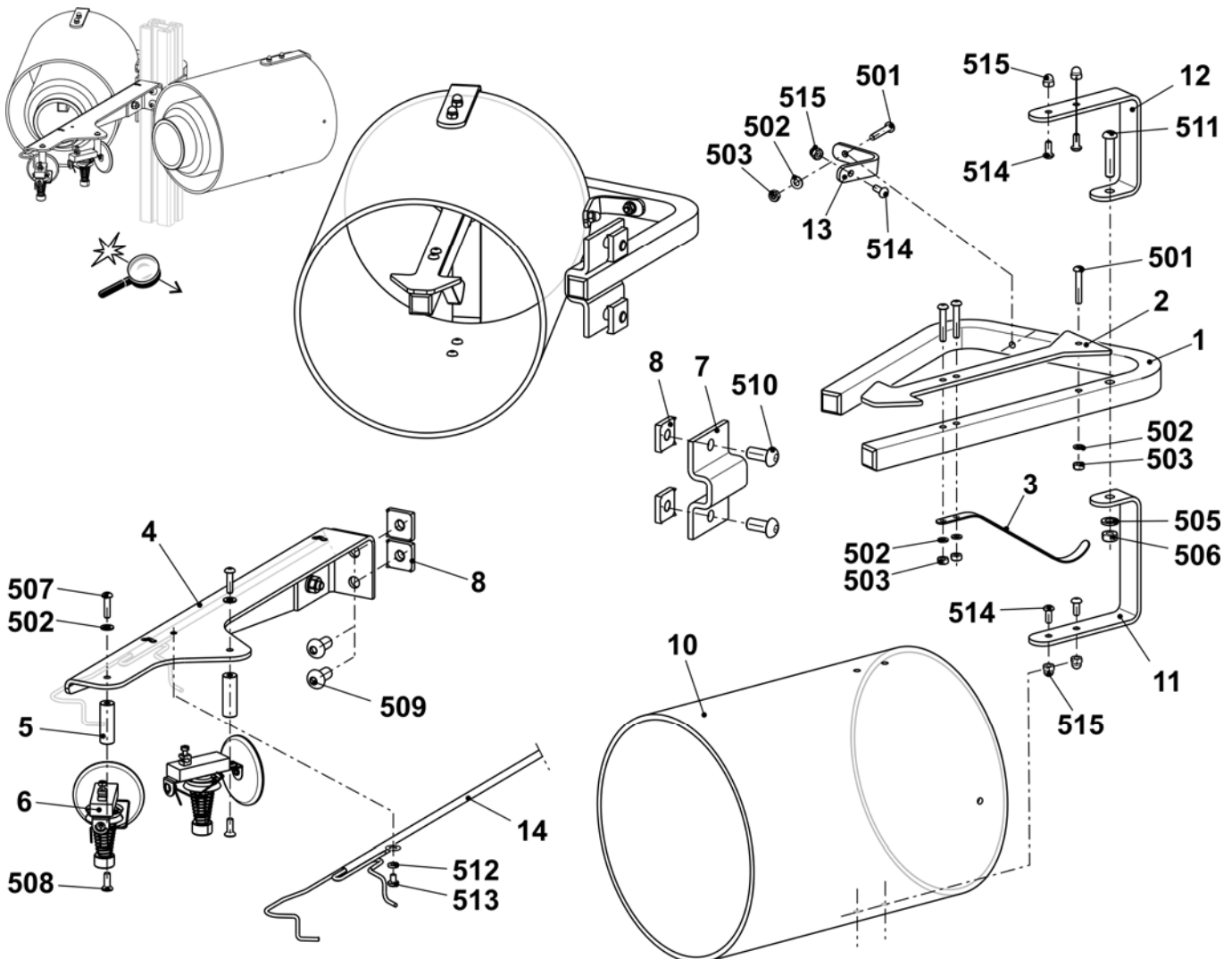
Pos	Designation	ID	Pos	Designation	ID
1	YC bow 1+8	212 986	7	Yarn guide angle	201 672
2	YC bow 2+7	212 987	500	Countersunk screw M4x8	023 579
3	YC bow 3+6	212 988	501	Circlip S4-FST	022 774
4	YC bow 4+5	212 989			

Pos	Designation	Gauge	Track	ID	Pos	Designation	Gauge	Track	ID	
5	YC head	E5, E5.2	1 + 8	208 579	6	YC head	E5, E5.2	2 + 7 3 + 6 4 + 5	208 581	
		E2,5.2					E7 - E8			208 580
		E 3,5.2					E6.2			209 700
		E10 - E12					E10 - E12			213 864
		E6.2(12)					E6.2(12)			213 865
		E7.2					E7.2			227 113
E9.2	E9.2									
E14	E14									
E8.2	E8.2									
E16 - E18	E16 - E18									



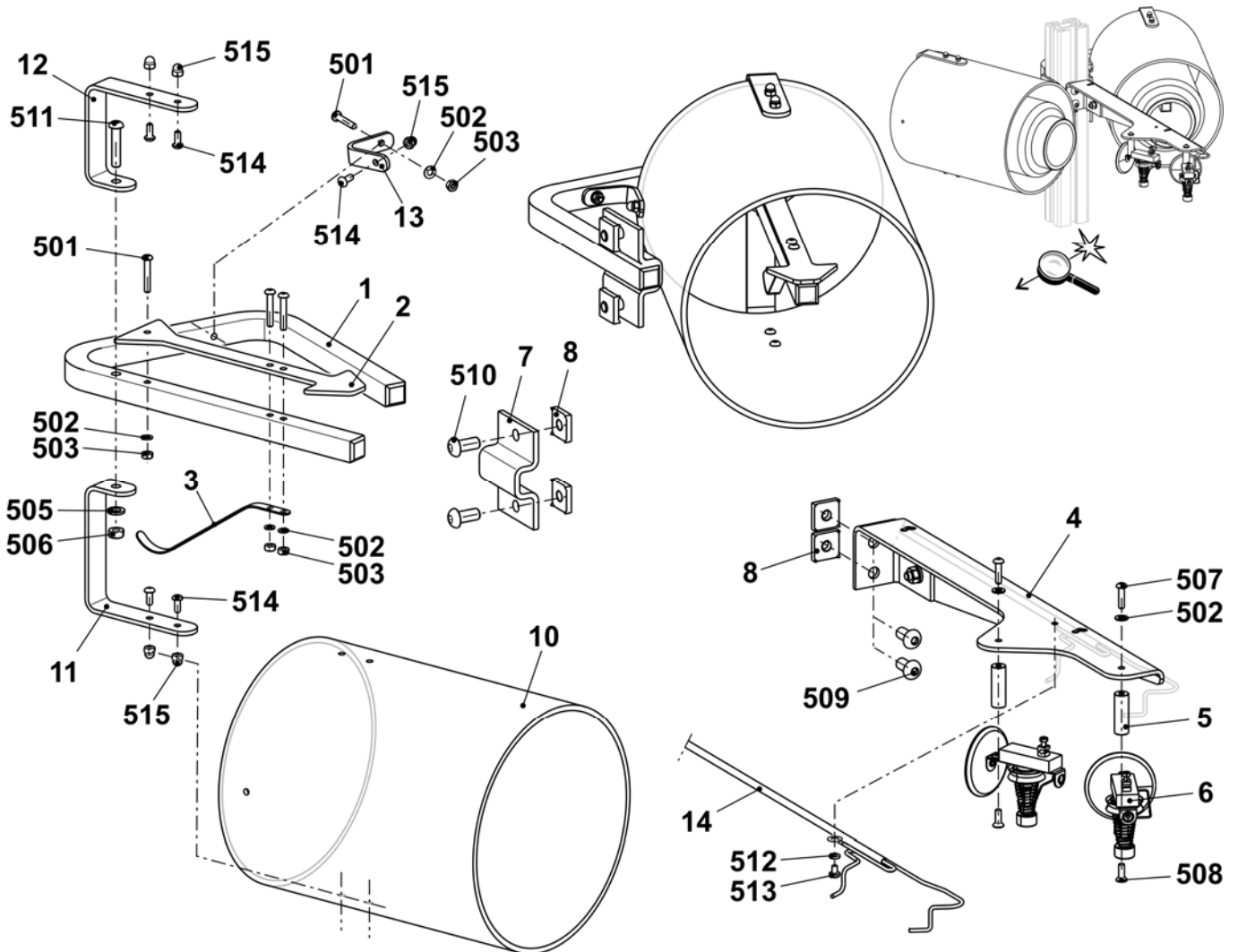
## Bobbin holder on the left

Pos	Designation	ID	Pos	Designation	ID
$\Sigma$	<b>Bobbin holder on the left</b>	<b>253 965</b>	501	Countersunk screw M4x25	023 511
1	Support	253 969	502	U-washer 4	022 481
2	Support	252 769	503	Hexagon nut M4-6	022 536
3	Leaf spring	253 350	505	U-washer 6	022 431
4	Support on the left	253 347	506	Hexagon nut M6-6	022 899
5	Spacer	253 349	507	Countersunk screw M4x16	023 412
6	Yarn detector Massardi	226 964	508	Countersunk screw M4x12	023 062
7	Clamp	228 583	509	Countersunk screw M8x16	023 113
8	Sliding block	228 851	510	Countersunk screw M8x18	251 331
10	Cover	253 968	511	Countersunk screw M6x30	023 451
11	Support angle	253 964	512	Serrated lock washer A4.3	022 482
12	Support angle	253 963	513	Countersunk screw M4x6	022 946
13	Support angle	253 967	514	Countersunk screw M4x10	023 450
14	Cable plating	253 468	515	Cap nut M4-6	253 805



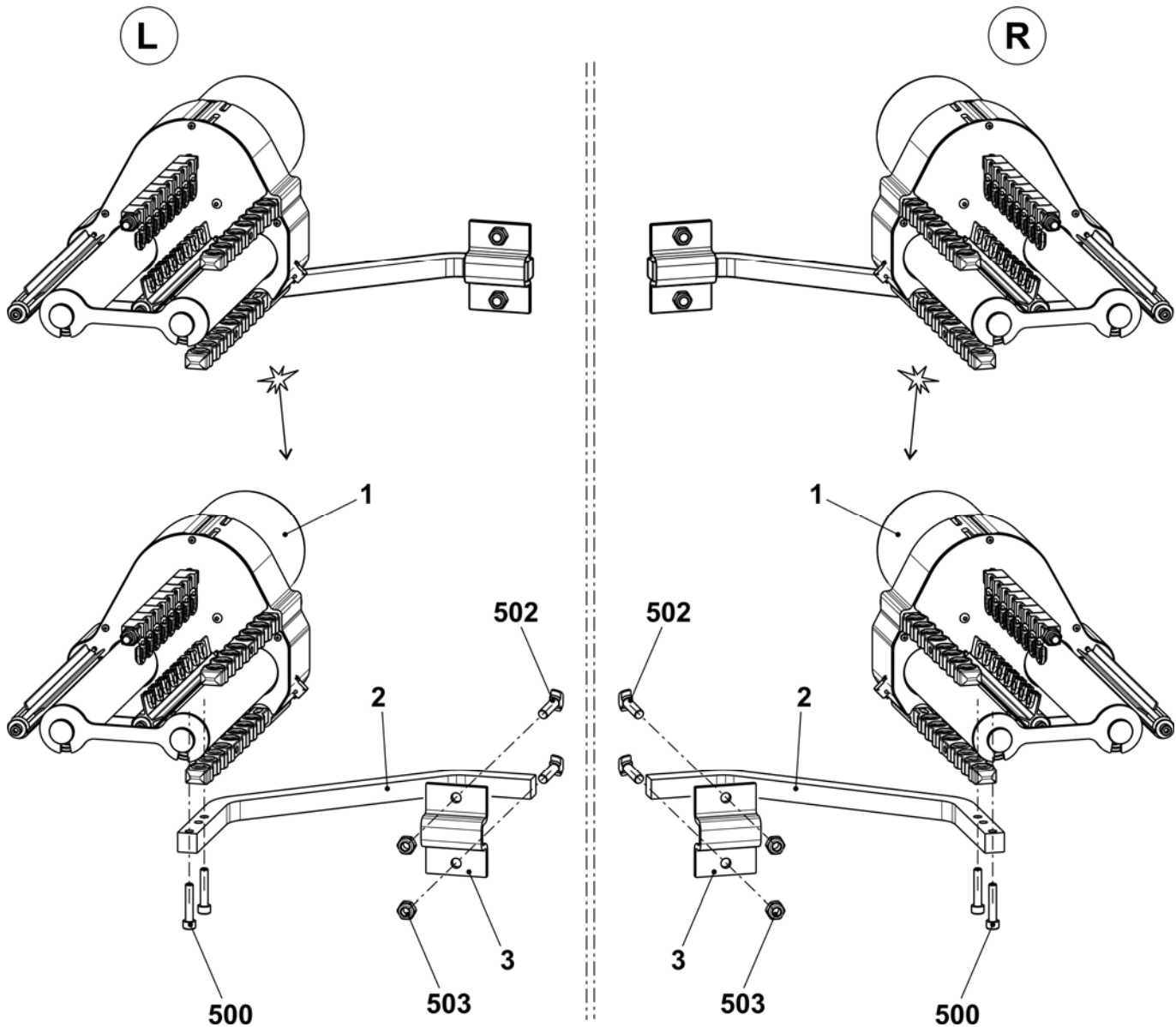
## Bobbin holder on the right

Pos	Designation	ID	Pos	Designation	ID
<b>Σ</b>	<b>Bobbin holder on the right</b>	<b>253 966</b>	501	Countersunk screw M4x25	023 511
1	Support	253 969	502	U-washer 4	022 481
2	Support	252 769	503	Hexagon nut M4-6	022 536
3	Leaf spring	253 350	505	U-washer 6	022 431
4	Support on the right	253 348	506	Hexagon nut M6-6	022 899
5	Spacer	253 349	507	Countersunk screw M4x16	023 412
6	Yarn detector Massardi	226 964	508	Countersunk screw M4x12	023 062
7	Clamp	228 583	509	Countersunk screw M8x16	023 113
8	Sliding block	228 851	510	Countersunk screw M8x18	251 331
10	Cover	253 968	511	Countersunk screw M6x30	023 451
11	Support angle	253 964	512	Serrated lock washer A4.3	022 482
12	Support angle	253 963	513	Countersunk screw M4x6	022 946
13	Support angle	253 967	514	Countersunk screw M4x10	023 450
14	Cable plating	253 468	515	Cap nut M4-6	253 805



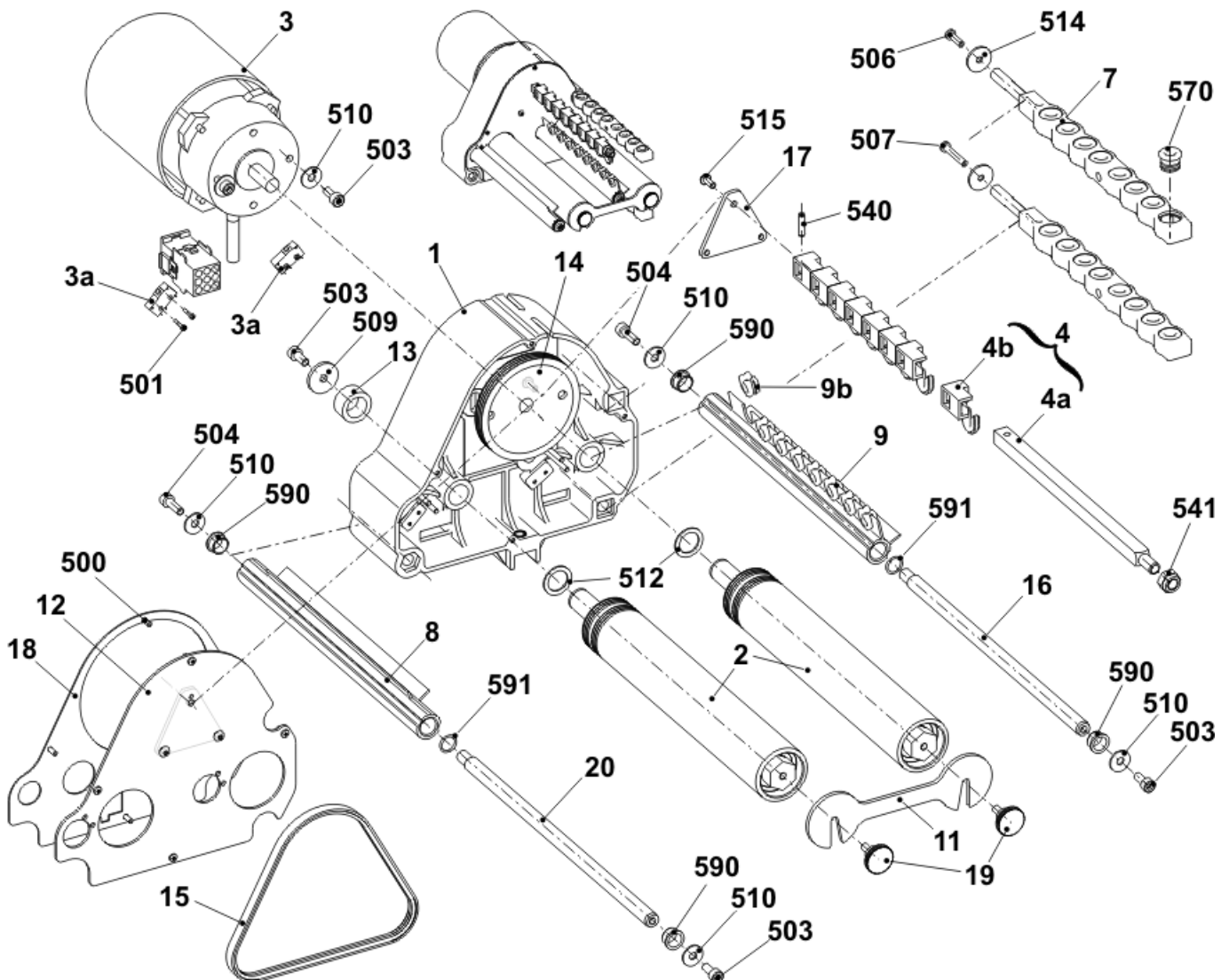
## Friction feed wheel on the left and on the right co.

Pos	Designation	ID No.	Pos	Designation	ID No.
<b>ΣL</b>	<b>Friction feed wheel on the left co.933</b>	<b>243 767</b>	<b>ΣR</b>	<b>Friction feed wheel on the right co.933</b>	<b>243 768</b>
1	Friction feed wheel on the left	243 571	1	Friction feed wheel on the right	243 572
2	Support	223 030	2	Support	223 030
3	Clamp	228 583	3	Clamp	228 583
500	Cap screw M6X30	020 138	500	Cap screw M6X30	020 138
502	T-head bolt M8x25	022 866	502	T-head bolt M8x25	022 866
503	Hexagon nut M8	022 843	503	Hexagon nut M8	022 843



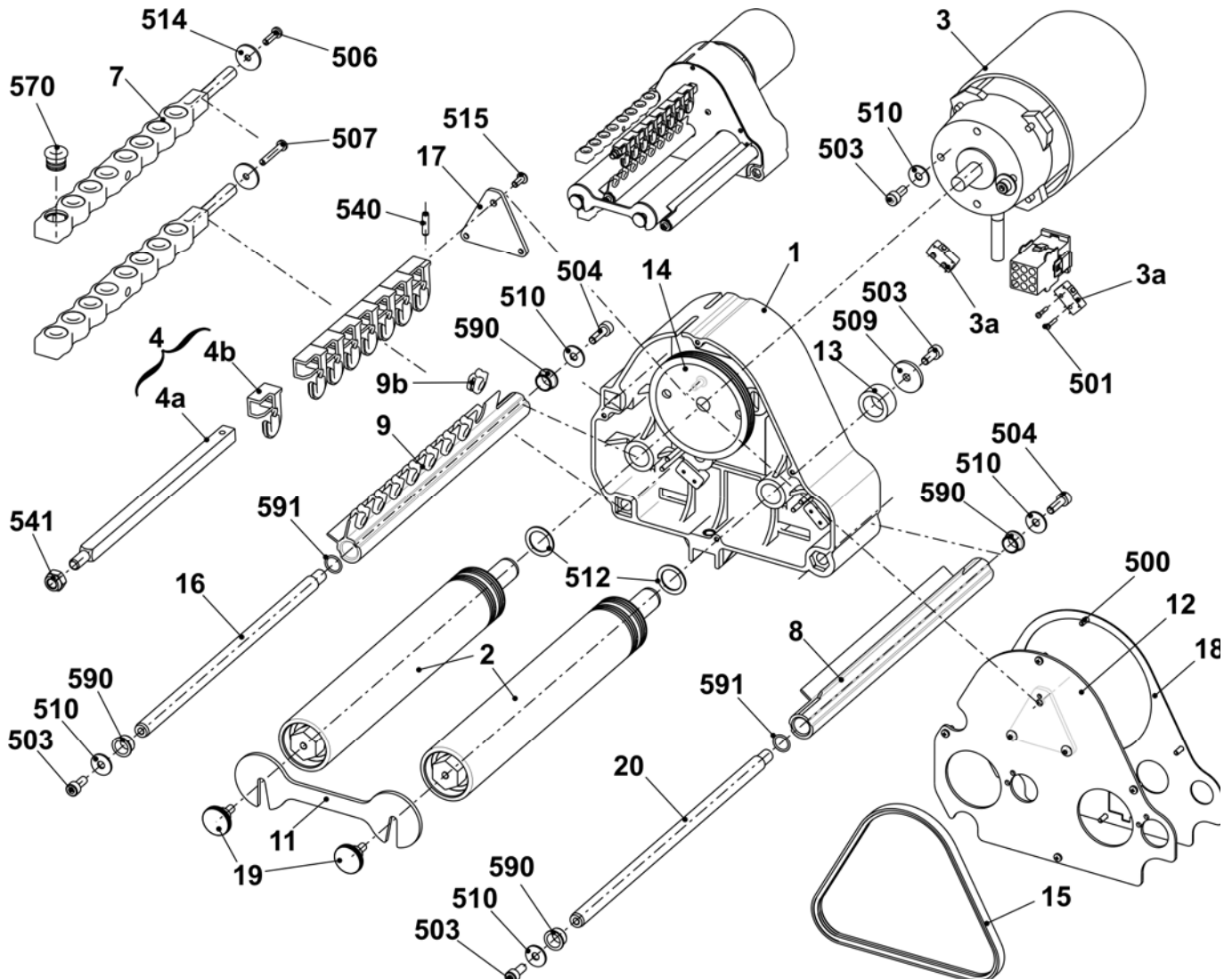
## Left friction feed wheel

Pos	Designation	ID	Pos	Designation	ID
<b>Σ</b>	<b>Friction feed wheel on the left complete</b>	<b>243 571</b>	13	Bush	221 391
1	Housing	240 368	14	Ribbed V-belt pulley	221 268
2	Friction roller complete	231 704	15	Ribbed V-belt pulley V3J 406	206 927
3	Three-phase AC motor complete	219 800	16	Rod	221 319
3a	Microswitch	008 664	17	Supporting plate	251 096
4	Deflector complete 8-fold	250 089	18	Cover	230 758
A4	Support rail	250 055	19	Knurled screw	223 361
4b	Eyelet holder complete	250 077	20	Rod	230 658
540	Spring dowel sleeve 4x15	020 783	500	Screw KB30x8	236 228
541	Hexagon nut M8-8	022 843	501	Screw 20x10	244 736
7	Yarn guide rod complete	239 431	503	Cap screw M5x12	020 132
570	Eyelet 8	021 504	504	Cap screw M5x16	022 726
8	Stop motion rail on the right complete	230 690	506	Screw KB40x14	241 358
9	Stop motion rail on the left complete with eyelets	230 683	507	Screw KB 40x25	241 595
9b	Eyelet	230 662	509	Washer 5,3x22x2,5	023 219
590	Slide bearing	023 627	510	U-washer 5	020 901
591	O-ring	244 895	512	Adjusting washer 15x21x1	023 216
11	Strap	221 316	514	U-washer 4.3	020 908
12	Cover	251 098	515	Countersunk screw M4x10	023 450



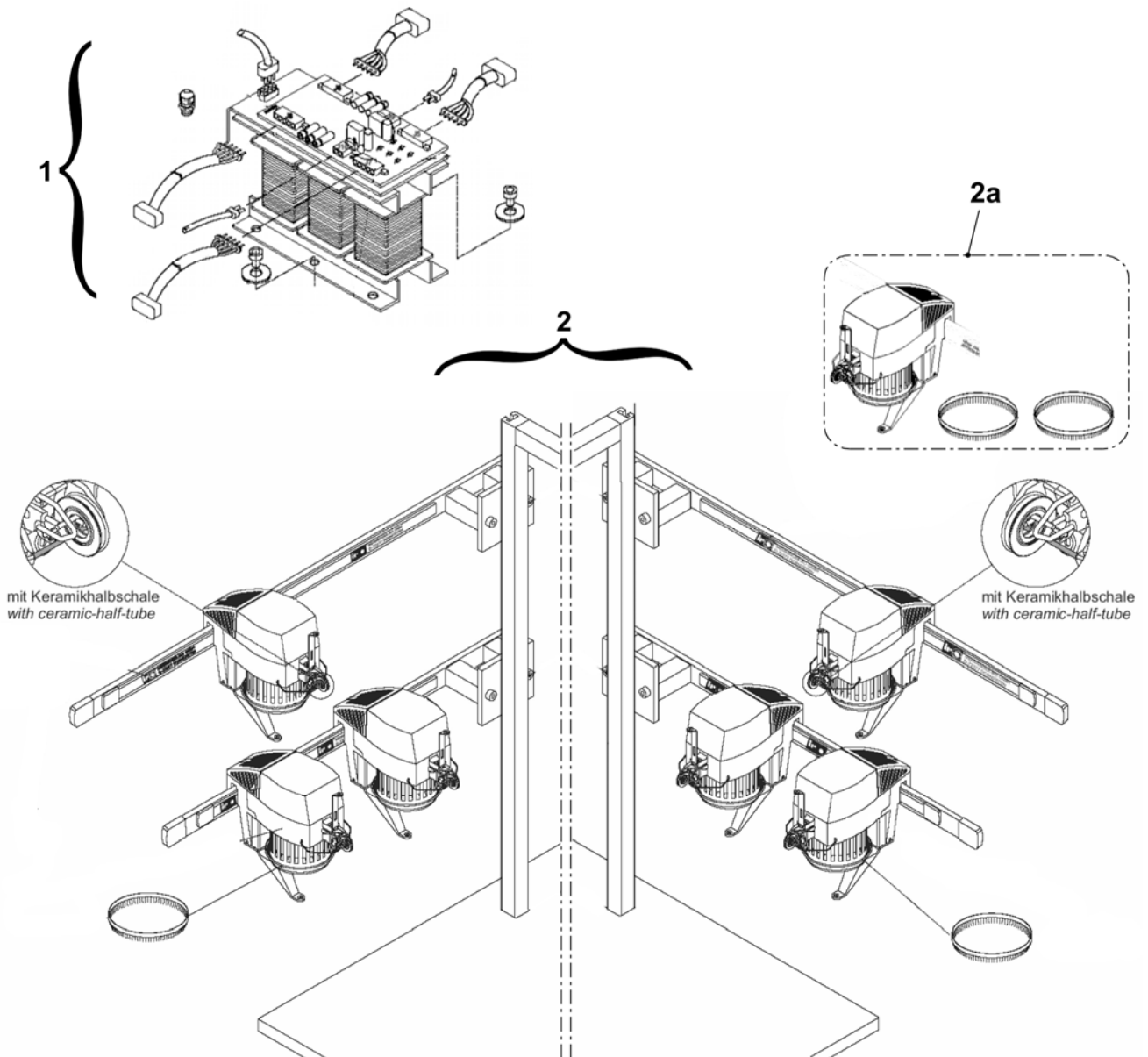
## Right friction feed wheel

Pos	Designation	ID	Pos	Designation	ID
<b>Σ</b>	<b>Friction feed wheel on the right complete</b>	<b>243 572</b>	13	Bush	221 391
1	Housing	240 368	14	Ribbed V-belt pulley	221 268
2	Friction roller complete	231 704	15	Ribbed V-belt pulley V3J 406	206 927
3	Three-phase AC motor complete	219 800	16	Rod	221 319
	3a Microswitch	008 664	17	Supporting plate	251 096
4	Deflector complete 8-fold	250 089	18	Cover	230 758
	4a Support rail	250 055	19	Knurled screw	223 361
	4b Eyelet holder complete	250 077	20	Rod	230 658
	540 Spring dowel sleeve 4x15	020 783	500	Screw KB30x8	236 228
	541 Hexagon nut M8-8	022 843	501	Screw 20x10	244 736
7	Yarn guide rod complete	239 431	503	Cap screw M5x12	020 132
	570 Eyelet 8	021 504	504	Cap screw M5x16	022 726
8	Stop motion rail on the right complete	230 690	506	Screw KB40x14	241 358
9	Stop motion rail on the right complete with eyelets	230 682	507	Screw KB 40x25	241 595
	9b Eyelet	230 662	509	Washer 5,3x22x2,5	023 219
	590 Slide bearing	023 627	510	U-washer 5	020 901
	591 O-ring	244 895	512	Adjusting washer 15x21x1	023 216
11	Strap	221 316	514	U-washer 4.3	020 908
12	Cover	251 098	515	Countersunk screw M4x10	023 450



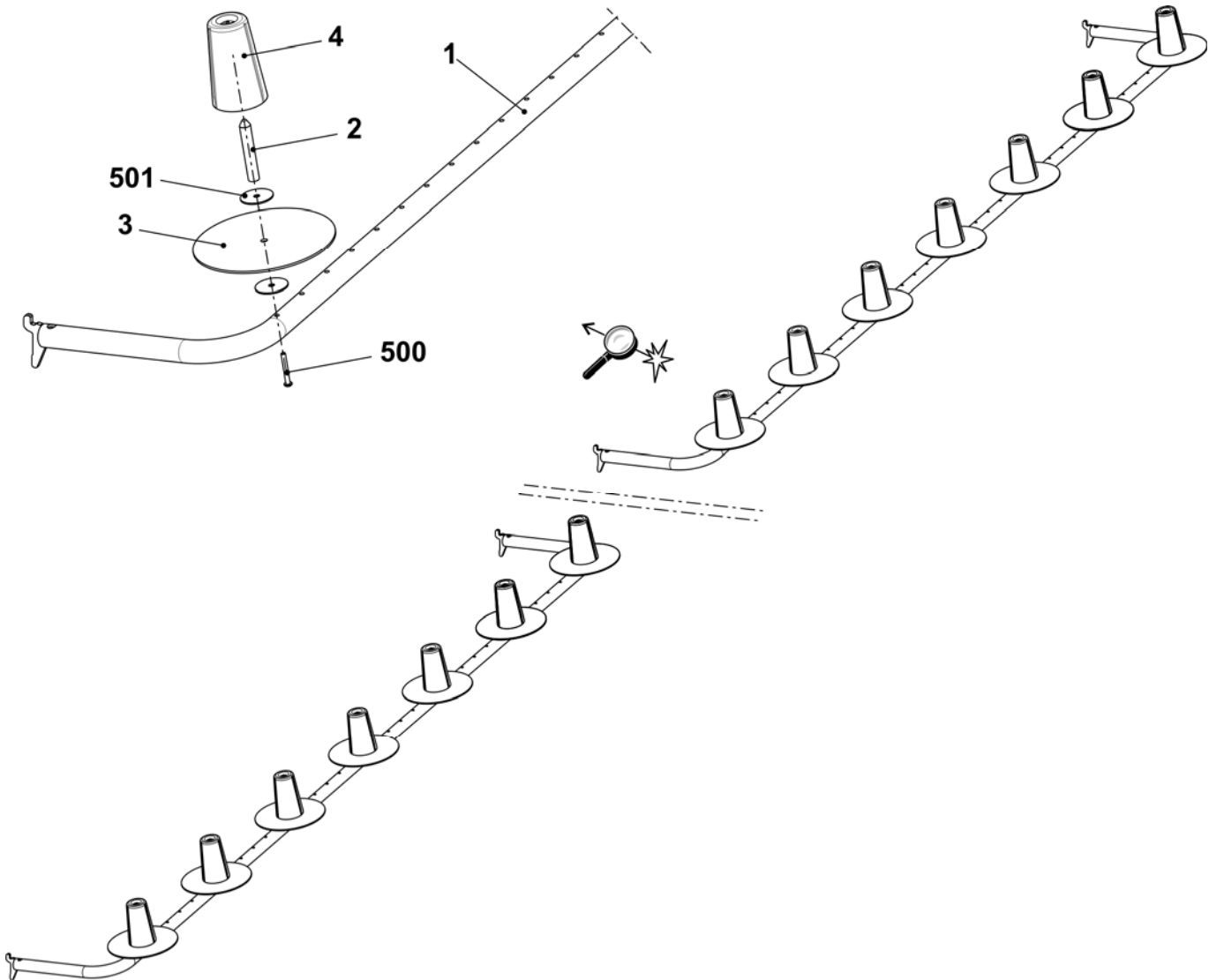
## Feed wheel SFE

Pos	Designation	ID	Note
$\Sigma$	<b>Mounted set storage feed wheel SFE</b>	<b>231 427</b>	Please order the SFE spare parts at: <b>MEMMINGER-IRO GMBH</b> <b>Jakob-Mutz-Strasse 7</b> <b>D-72280 Dornstetten</b> Phone: +49 7443 281-0 Fax: +49 7443 281-101 The item no. and the designation for the SFE spare parts can be found in the enclosed assembling instructions of the company MEMMINGER-IRO.
1	Transfo with cable	231 979	
2	Mounted set SFE without transformer	231 980	
2a	SFE feed wheel	231 537	



## Additional bobbin board

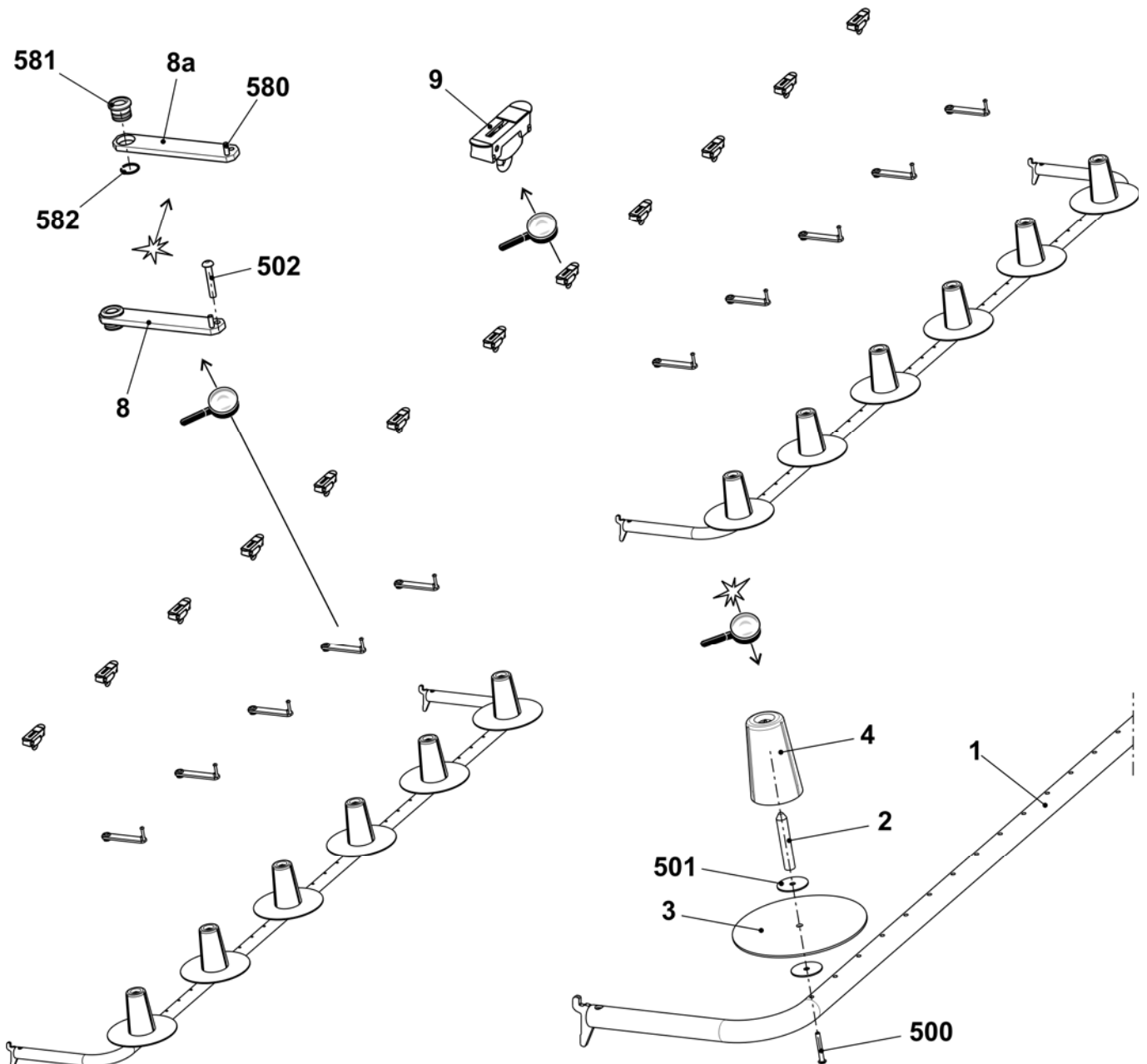
Pos	Designation	ID No.	Pos	Designation	ID No.
<b>Σ</b>	<b>Additional bobbin board</b>	<b>242 742</b>			
1	Additional bobbin board welded	242 741	4	Bobbin support	200 363
2	Positioning pin	202 777	500	Pan-head screw M4x30	023 681
3	Disk ø130	062 385	501	Washer 5.3x30x1.25	023 556





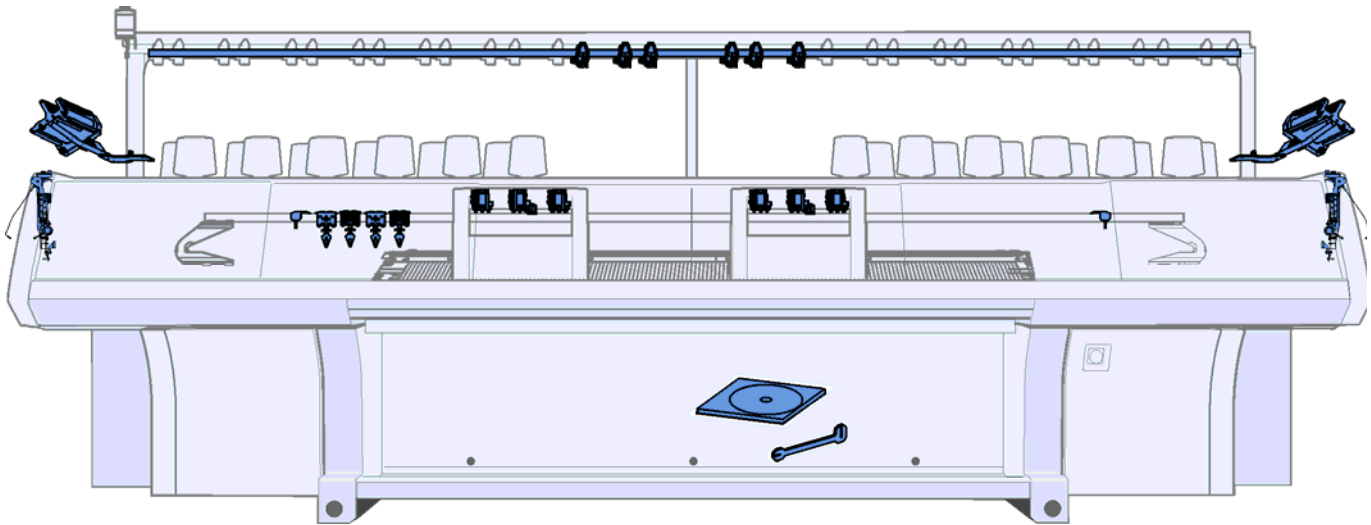
## Additional board at the bottom

Pos	Designation	ID No.	Pos	Designation	ID No.
$\Sigma$	<b>Additional board 9XX at the bottom</b>	<b>253 647</b>	502	Pan-head screw M4x25	023 511
1	Additional bobbin board welded	253 503	8	Yarn guide	243 765
2	Positioning pin	202 777	A8	Guiding part	243 623
3	Disk $\varnothing 130$	062 385	580	Setting pin 3x12	020 647
4	Bobbin support	200 363	581	Eyelet 8	021 504
500	Pan-head screw M4x30	023 681	582	Snap ring A12	020 996
501	Washer 5.3x30x1.25	023 556	9	Yarn guide bracket complete	241 581



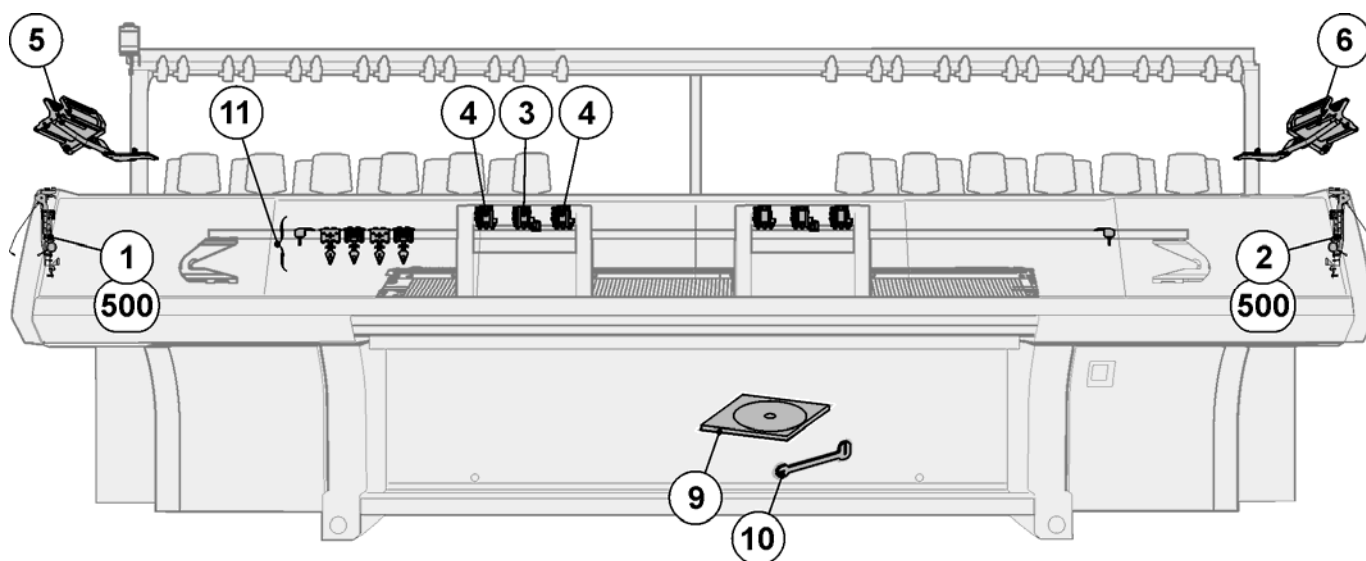
# Conversion kit 32 IYC

<i>Designation</i>	<i>ID No.</i>
<b>Conversion kit 32 OIFF E5</b>	<b>254 908</b>
<b>Conversion kit 32 IFF E7-8</b>	<b>254 909</b>
<b>Conversion kit 32 IFF E10-14</b>	<b>254 910</b>
<b>Conversion kit 32 IFF E16-18</b>	<b>254 911</b>



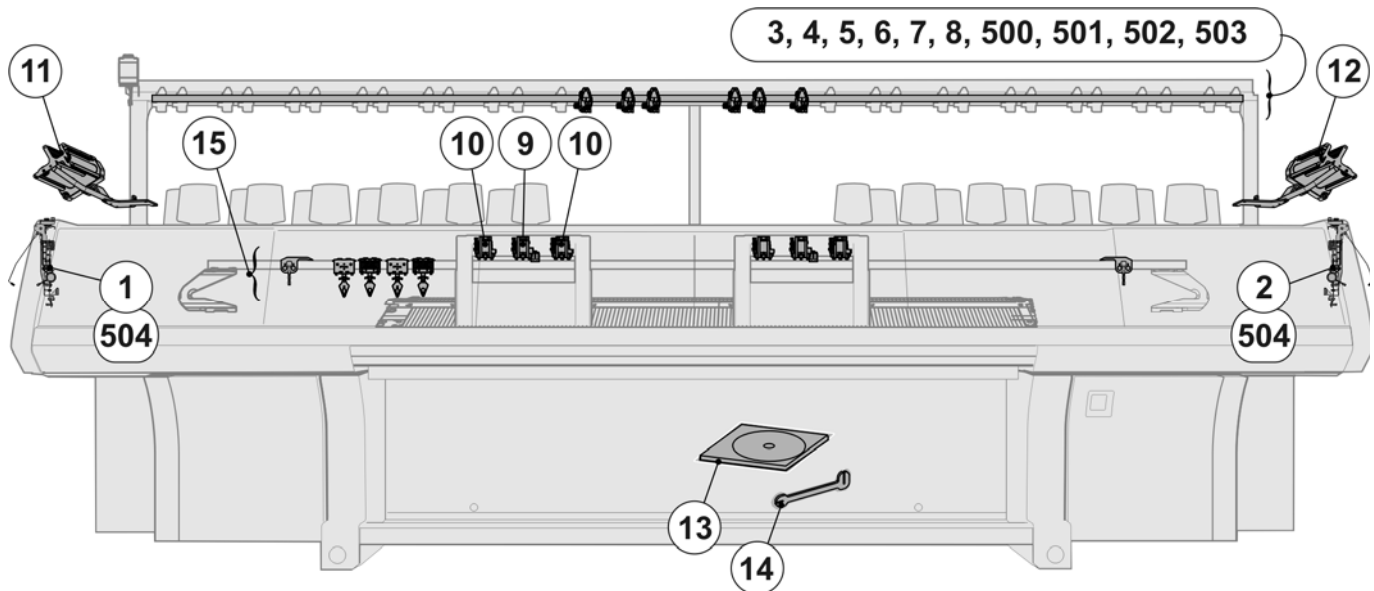
## Overview of conversion kit E5

Pos	Designation	ID No.	Pos	Designation	ID No.
<b>Σ</b>	<b>Conversion kit 32 IFF E5</b>	<b>254 908</b>			
1	Yarn tensioner on the left complete E5	244 498	6	Friction feed wheel on the right co. 16 fold 933	254 901
2	Yarn tensioner on the right complete E5	244 501	9	DVD instructions conversion kit IYC	245 169
3	YC driving in the middle complete	245 298	10	Adjusting part for yarn carrier bow	250 119
4	YC driving outside complete	245 297	11	Yarn guide complete E5 IYC	245 161
5	Friction feed wheel on the left co. 16-fach 933	254 900	500	Screw KB 60x20	237 682



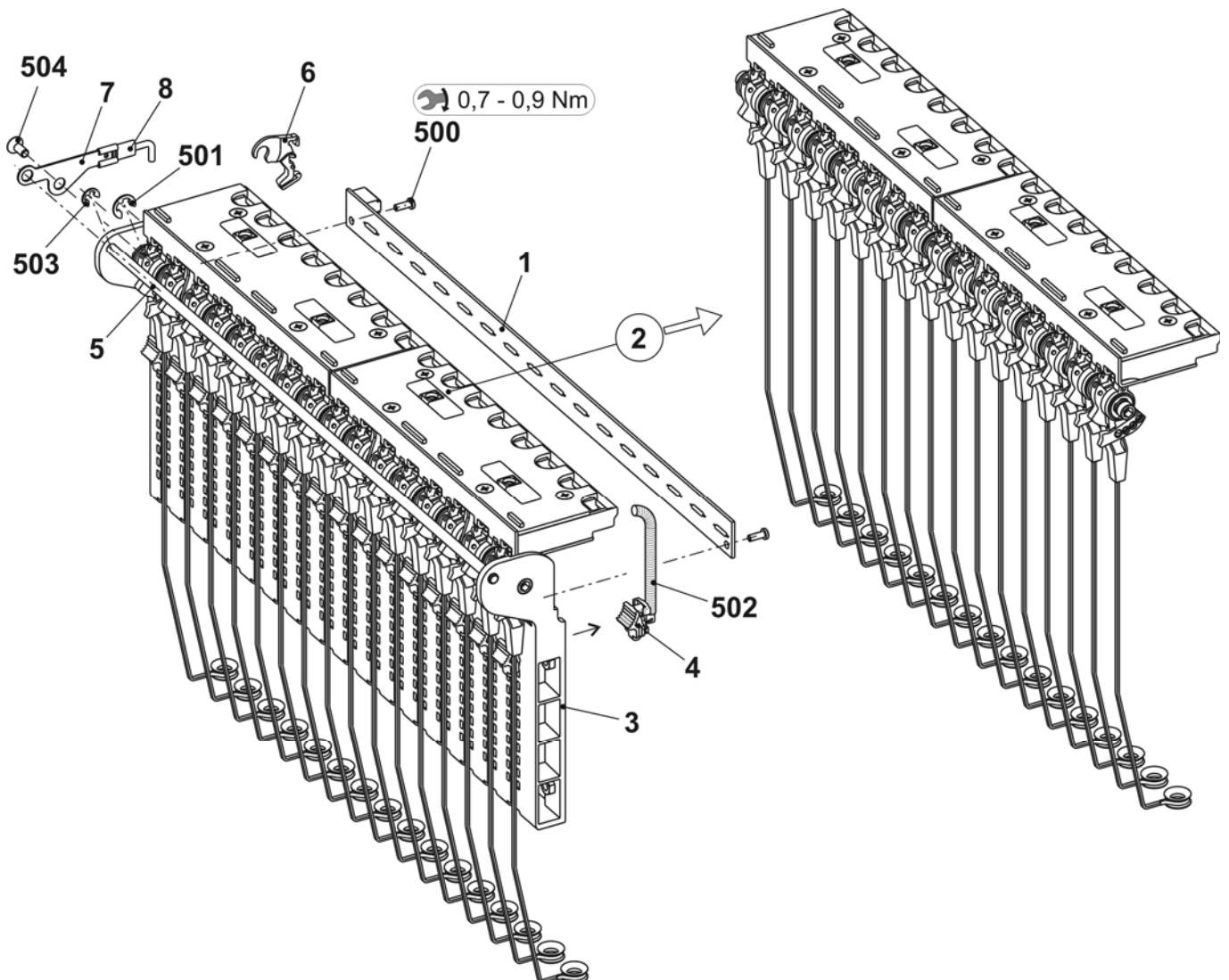
## Overview of conversion kit E7-18

Pos	Designation	ID No.	Pos	Designation	ID No.
<b>Σ</b>	<b>Conversion kit 32 IYC</b>		9	YC driving in the middle complete	245 298
	<b>E7-8</b>	<b>254 909</b>	10	YC driving outside complete	245 297
	<b>E10-14</b>	<b>254 910</b>	11	Friction feed wheel on the left co. 16-fach 933	254 900
	<b>E16-18</b>	<b>254 911</b>	12	Friction feed wheel on the right co. 16 fold 933	254 901
1	Yarn tensioner on the left complete E7-8	244 499	13	DVD instructions conversion kit IYC	245 169
	Yarn tensioner on the left complete E10-18	244 500	14	Adjusting part for yarn carrier bow	250 119
2	Yarn tensioner on the right complete E7-8	244 502	15	Yarn guide complete E7-8 IYC	245 162
	Yarn tensioner on the right complete E10-18	244 503		Yarn guide complete E10-14 IYC	245 163
3	Yarn guide bar 96"-933	242 431			Yarn guide complete E16-18 IYC
4	Support on the left	243 602	500	Self-locking screw M6x12	023 415
5	Support on the right	243 603	501	Ribbed lock washer M6-10	023 414
6	Support	239 295	502	Square nut M8	023 269
7	Yarn control device	237 124	503	Countersunk screw M8x16	023 113
8	Yarn guide bracket complete	241 581	504	Screw KB 60x20	237 682



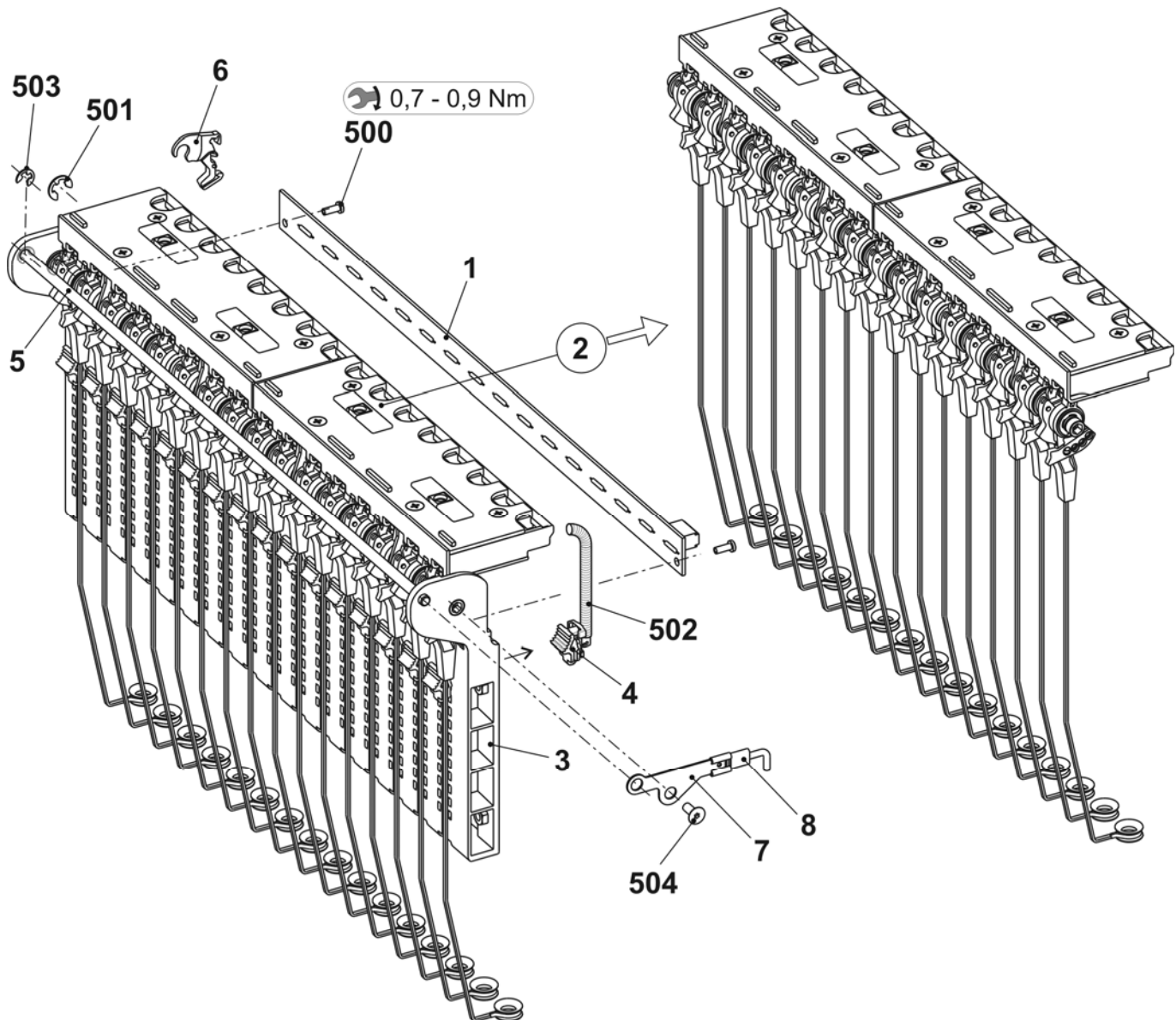
## Yarn tensioner on the left

Pos	Designation	ID No.	Pos	Designation	ID No.
$\Sigma$	<b>Yarn tensioner on the left complete</b>				
	<b>E5 + E2,5.2 + E3,5.2 + E5.2</b>	<b>244 498</b>	6	Spacer	242 048
	<b>E7 + E8 + 6.2</b>	<b>244 499</b>	7	Grounding sheet metal of tension axle	243 121
	<b>E10 + E12 + E14 + E16 + E18 + E7.2 + E8.2</b>	<b>244 500</b>	8	Ground cable yarn tensioner OKC	243 105
1	Card yarn tensioner 16-fold on the left	241 345	500	Screw KB30x8	236 228
2	Tension axle complete		501	Circlip	021 022
	E3-8	244 494	502	Tension spring 5.05x0.55x53 (E3-5)	023 502
	E10-18	244 495		Tension spring 4.9x0.5x53 (E7-8)	023 503
3	Housing	241 367		Tension spring 4.9x0.45x53 (E10-18)	023 504
4	Slider	241 694	503	Circlip	021 020
5	Stop point	241 368	504	Countersunk screw M4x10	241 914



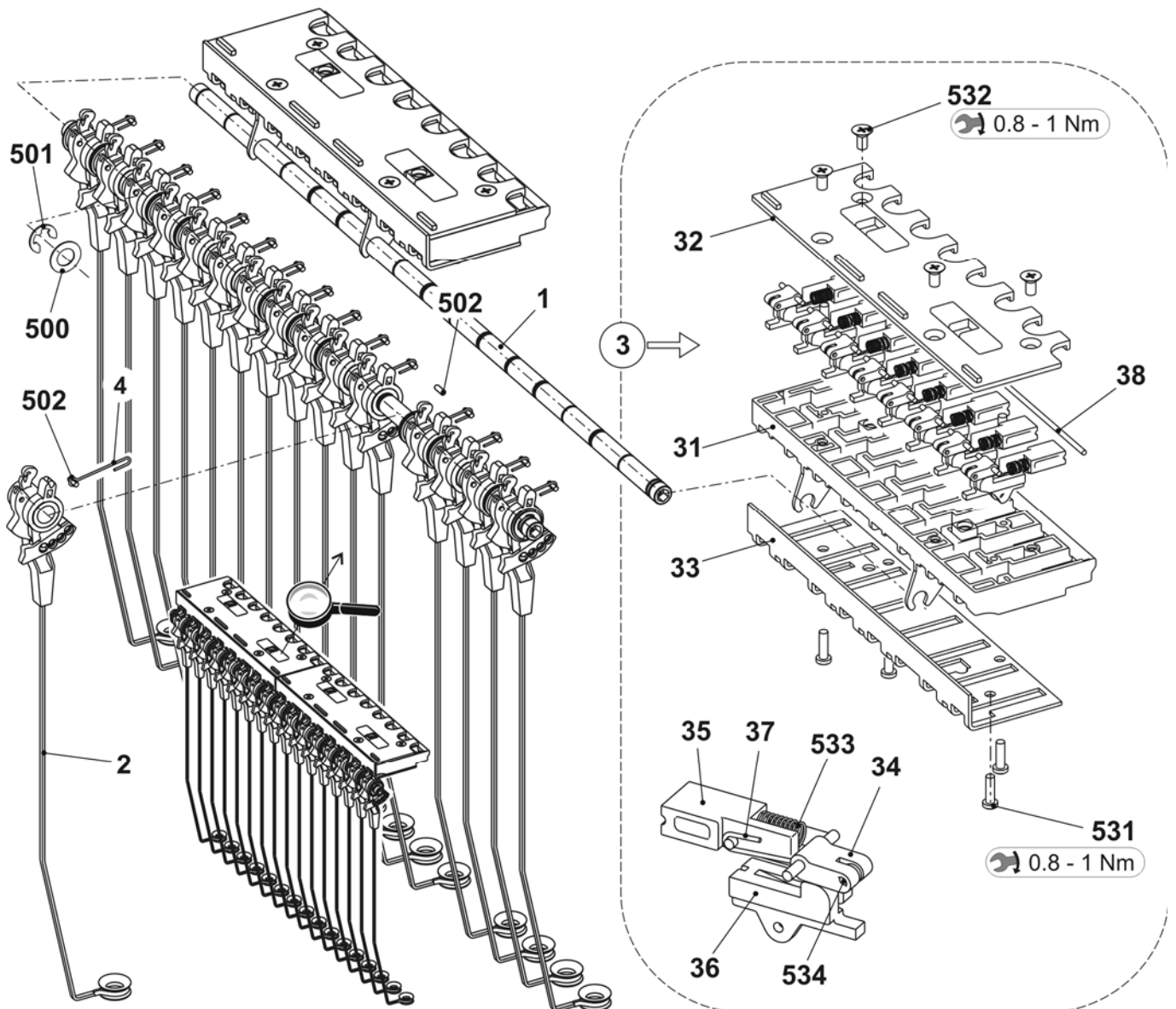
## Yarn tensioner on the right

Pos	Designation	ID	Pos	Designation	ID
$\Sigma$	<b>Yarn tensioner on the right complete</b>		6	Spacer	242 048
	<b>E5 + E2,5.2 + E3,5.2 + E5.2</b>	<b>244 501</b>	7	Grounding sheet metal of tension axle	243 121
	<b>E7 + E8 + E6.2</b>	<b>244 502</b>	8	Ground cable yarn tensioner OKC	243 105
	<b>E10 + E12 + E14 + E16 + E18 + E7.2 + E8.2</b>	<b>244 503</b>	500	Screw KB30x8	236 228
1	Card yarn tensioner 16-fold on the right	241 346	501	Circlip	021 022
2	Tension axle complete		502	Tension spring 5.05x0.55x53 (E3-5)	023 502
	E3-8	244 494		Tension spring 4.9x0.5x53 (E7-8)	023 503
	E10-18	244 495		Tension spring 4.9x0.45x53 (E10-18)	023 504
3	Housing	241 367	503	Circlip	021 020
4	Slider	241 694	504	Countersunk screw M4x10	241 914
5	Stop point	241 368			



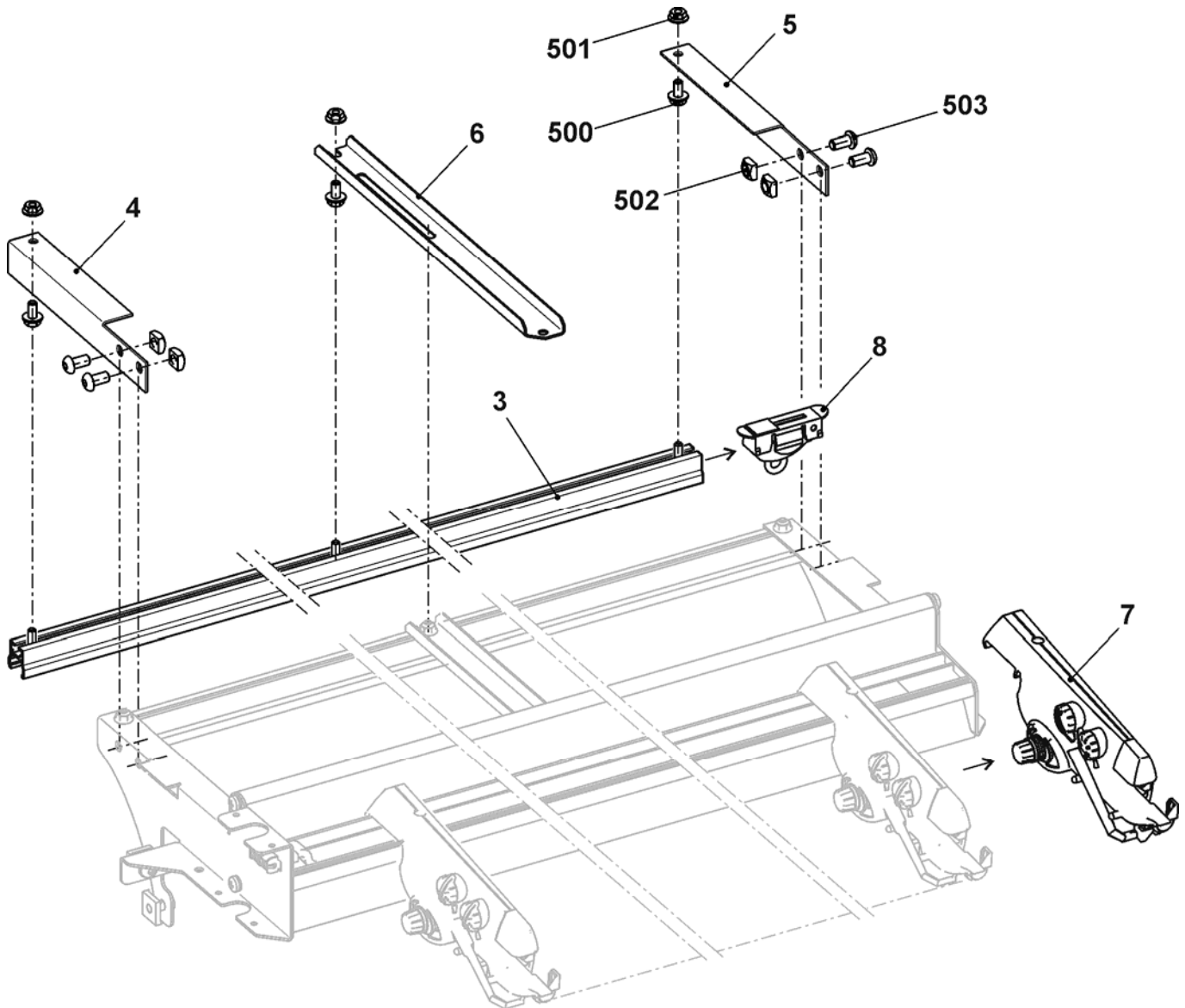
## Tension axle

Pos	Designation	ID No.	Pos	Designation	ID No.
<b>Σ</b>	<b>Tension axle complete</b>		<b>3</b>	<b>Thread clamp AKF</b>	<b>238 695</b>
	<b>E5 + E7 + E8 (E2,5.2/3,5.2/5.2/6.2)</b>	<b>244 494</b>	31	Housing AKF	238 689
	<b>E10+ E12 + E14 + E16 + E18 (E7.2/8.2)</b>	<b>244 495</b>	32	Cover AKF	237 926
1	Axle	244 522	33	Sheet metal at the bottom (housing AKF)	240 719
2	Tension arm pre-assembled		34	Lever AKF	238 692
	E3 – E8	242 770	35	Thrust piece AKF	238 690
	E10 – E18	242 771	36	Slider AKF	238 691
4	Wire bow	238 694	37	Wire bow	238 694
500	Adjusting washer 4x8x0 8x14x0,5	023 501	38	Wire	237 940
501	Circlip	021 022	531	Screw KB 35x12	237 681
502	Grooved pin 2x6	243 172	532	Screw KB 40x8	236 227
			533	Compression spring 0.30x4.50x18.50	241 437
			534	Grooved pin 2x6	243 172



## Parts for the yarn guide system

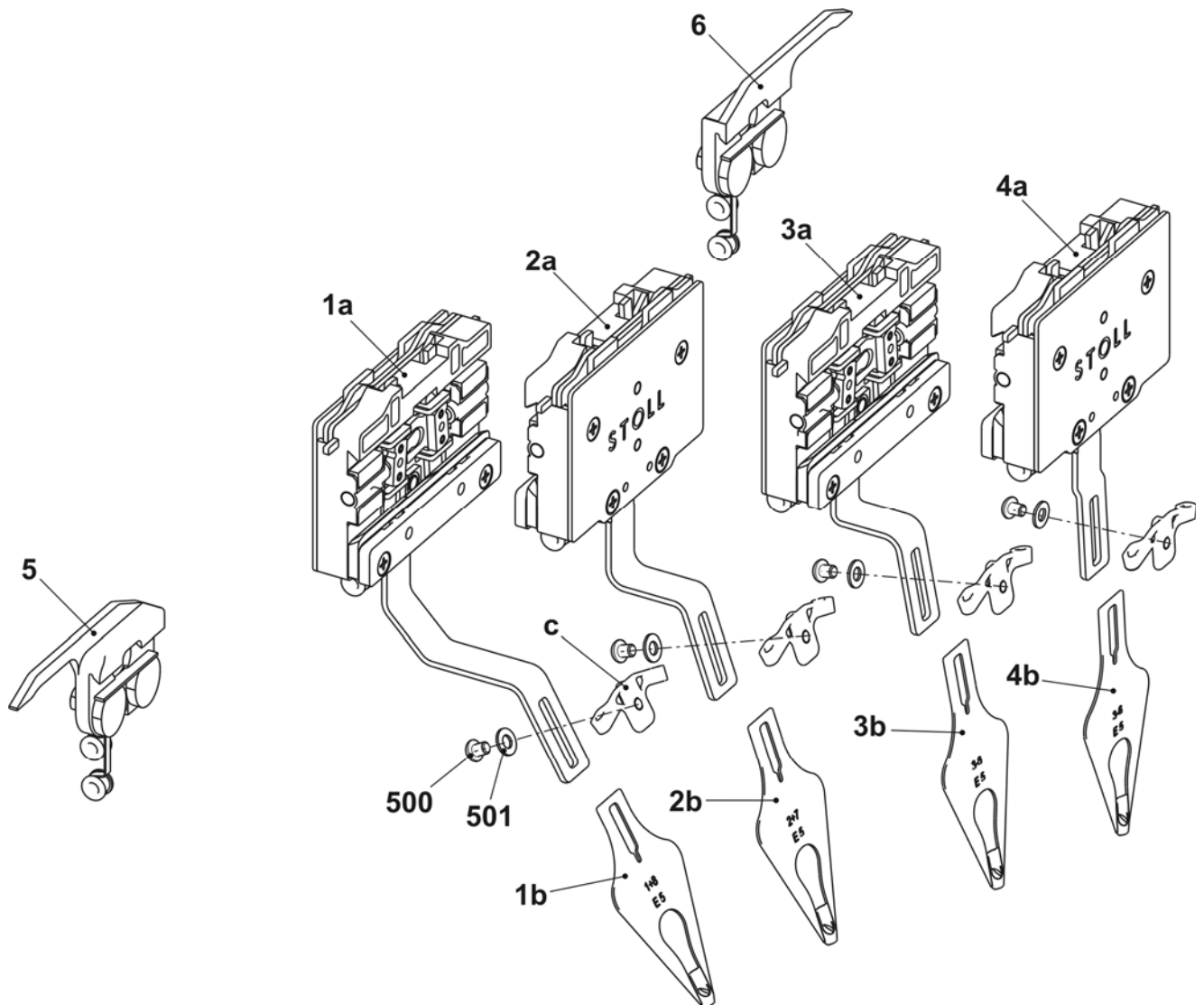
Pos	Designation	ID No.	Pos	Designation	ID No.
<b>Σ</b>	<b>Yarn guide system</b>				
3	Yarn guide bar 96" - 933	242 431	7	Yarn guide bracket complete	241 581
4	Support on the left	243 602	500	Self-locking screw M6x12	023 415
5	Support on the right	243 603	501	Ribbed lock washer M6-10	023 414
6	Support	239 295	502	Square nut M8	023 269
7	Yarn control device	237 124	503	Countersunk screw M8x16	023 113





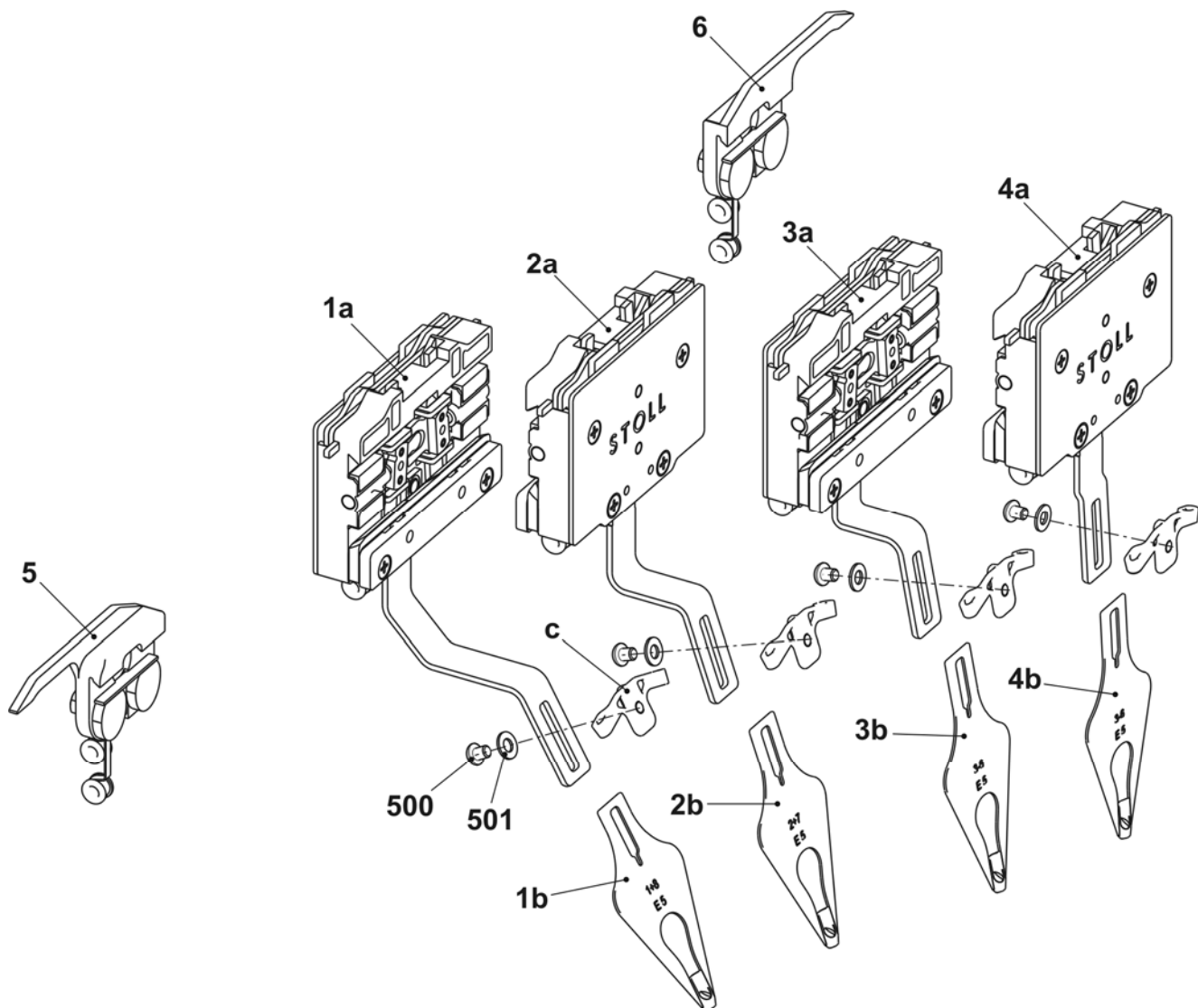
## Yarn guide complete E5 IYC

Pos	Designation	ID	Pos	Designation	ID
<b>Σ</b>	<b>Yarn guide complete E5 IYC</b> <b>E2,5.2 + E3,5.2 + E5.2</b>	<b>245 161</b>			
1	Intarsia YC carriage complete 1+8 E5	250 319	4	Intarsia YC carriage complete 4+5 E5	250 322
	A1 Intarsia YC carriage 1+8	250 315		A4 Intarsia YC carriage 4+5	250 318
	1b Yarn carrier head 1+8 complete E5	244 076		4b Yarn carrier head 3-6 complete E5	244 078
2	Intarsia YC carriage complete 2+7 E5	250 320	5	Limiters on the left with two eyelets	244 446
	2a IYC carriage 2+7	250 316	6	Limiters on the right with two eyelets	244 445
	2b Yarn carrier head 2+7 complete E5	244 077	C	Yarn guide angle	242 863
3	Intarsia YC carriage complete 3+6 E5	250 321	500	Countersunk screw M4x5	239 549
	3a Intarsia YC carriage 3+6	250 317	501	U-washer 4	020 870
	3b Yarn carrier head 3-6 complete E5	244 078			



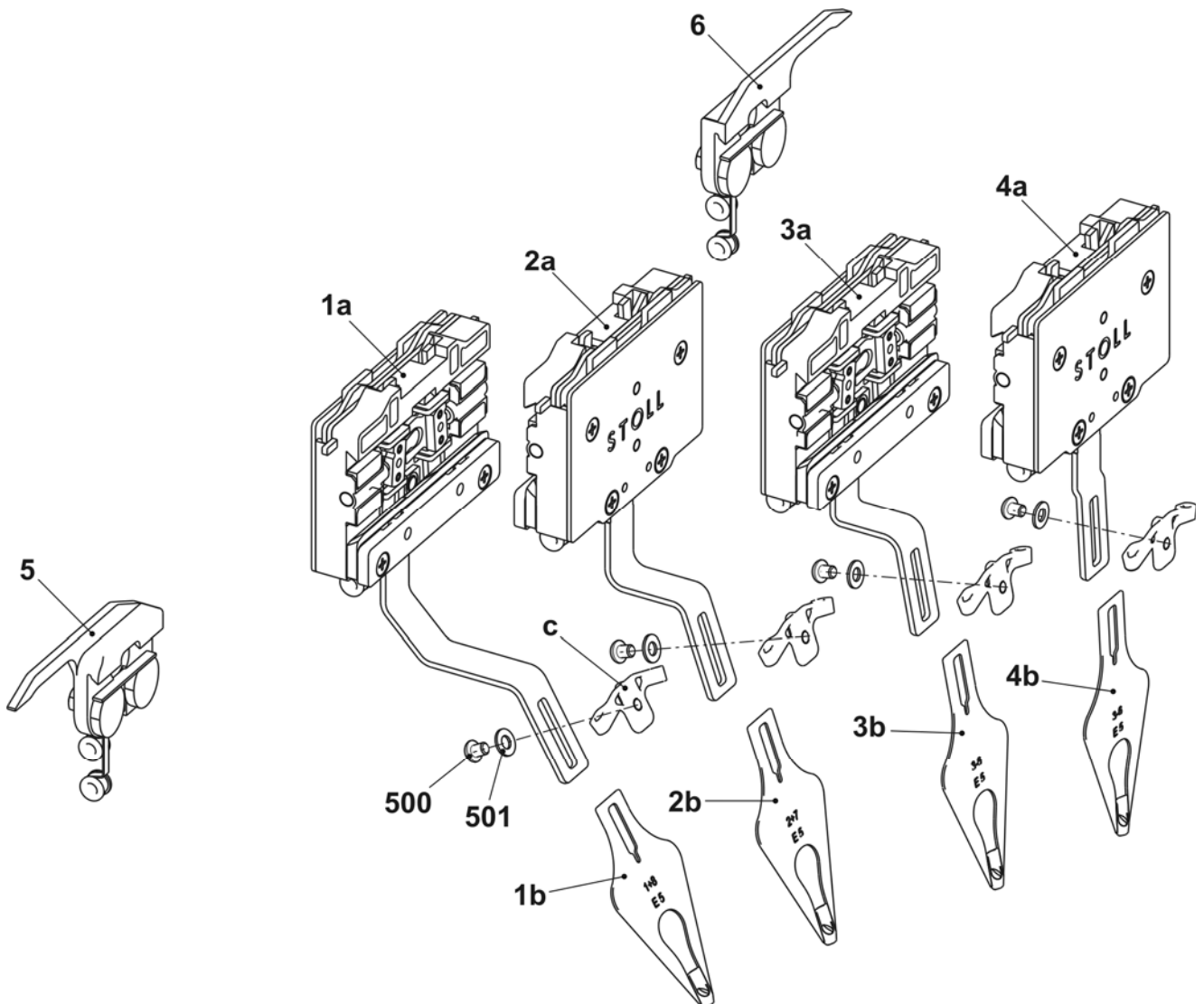
## Yarn guide complete E7-8 IYC

Pos	Designation	ID	Pos	Designation	ID
<b>Σ</b>	<b>Yarn guide complete E7-8 IYC E6.2</b>	<b>245 162</b>			
1	Intarsia YC carriage complete 1+8 E7-8	250 323	4	Intarsia YC carriage complete 4+5 E7-8	250 326
	A1 Intarsia YC carriage 1+8	250 315		A4 Intarsia YC carriage 4+5	250 318
	1b Yarn carrier head 1+8 complete E7-8	244 082		4b Yarn carrier head 3-6 complete E7-8	244 084
2	Intarsia YC carriage complete 2+7 E7-8	250 324	5	Limiters on the left with two eyelets	244 446
	2a IYC carriage 2+7	250 316	6	Limiters on the right with two eyelets	244 445
	2b Yarn carrier head 2+7 complete E7-8	244 083	C	Yarn guide angle	242 863
3	Intarsia YC carriage complete 3+6 E7-8	250 325	500	Countersunk screw M4x5	239 549
	3a Intarsia YC carriage 3+6	250 317	501	U-washer 4	020 870
	3b Yarn carrier head 3-6 complete E7-8	244 084			



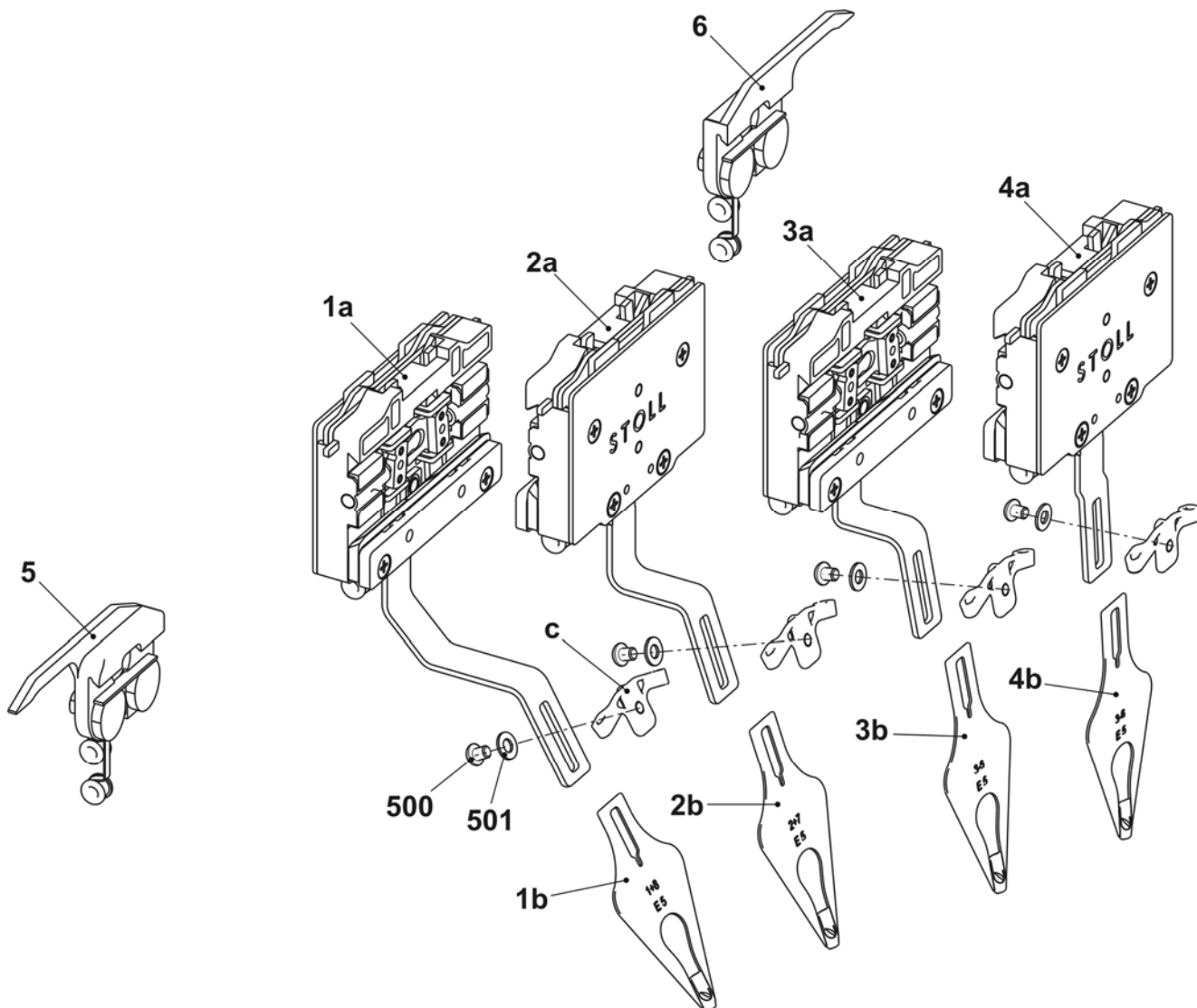
## Yarn guide complete E10-14 IYC

Pos	Designation	ID	Pos	Designation	ID
<b>Σ</b>	<b>Yarn guide complete E10-14 IYC E7.2 + E8.2 + E9.2</b>	<b>245 163</b>			
1	Intarsia YC carriage complete 1+8 E10-14	250 327	4	Intarsia YC carriage complete 4+5 E10-14	250 330
	A1 Intarsia YC carriage 1+8	250 315		A4 Intarsia YC carriage E10-14	250 318
	1b Yarn carrier head 1+8 complete E10-14	250 008		4b Yarn carrier head 3-6 complete E10-14	250 010
2	Intarsia YC carriage complete 2+7 E10-14	250 328	5	Limiters on the left with two eyelets	244 446
	2a IYC carriage 2+7	250 316	6	Limiters on the right with two eyelets	244 445
	2b Yarn carrier head 2+7 complete E10-14	250 009	C	Yarn guide angle	242 863
3	Intarsia YC carriage complete 3+6 E10-14	250 329	500	Countersunk screw M4x5	239 549
	3a Intarsia YC carriage 3+6	250 317	501	U-washer 4	020 870
	3b Yarn carrier head 3-6 complete E10-14	250 010			



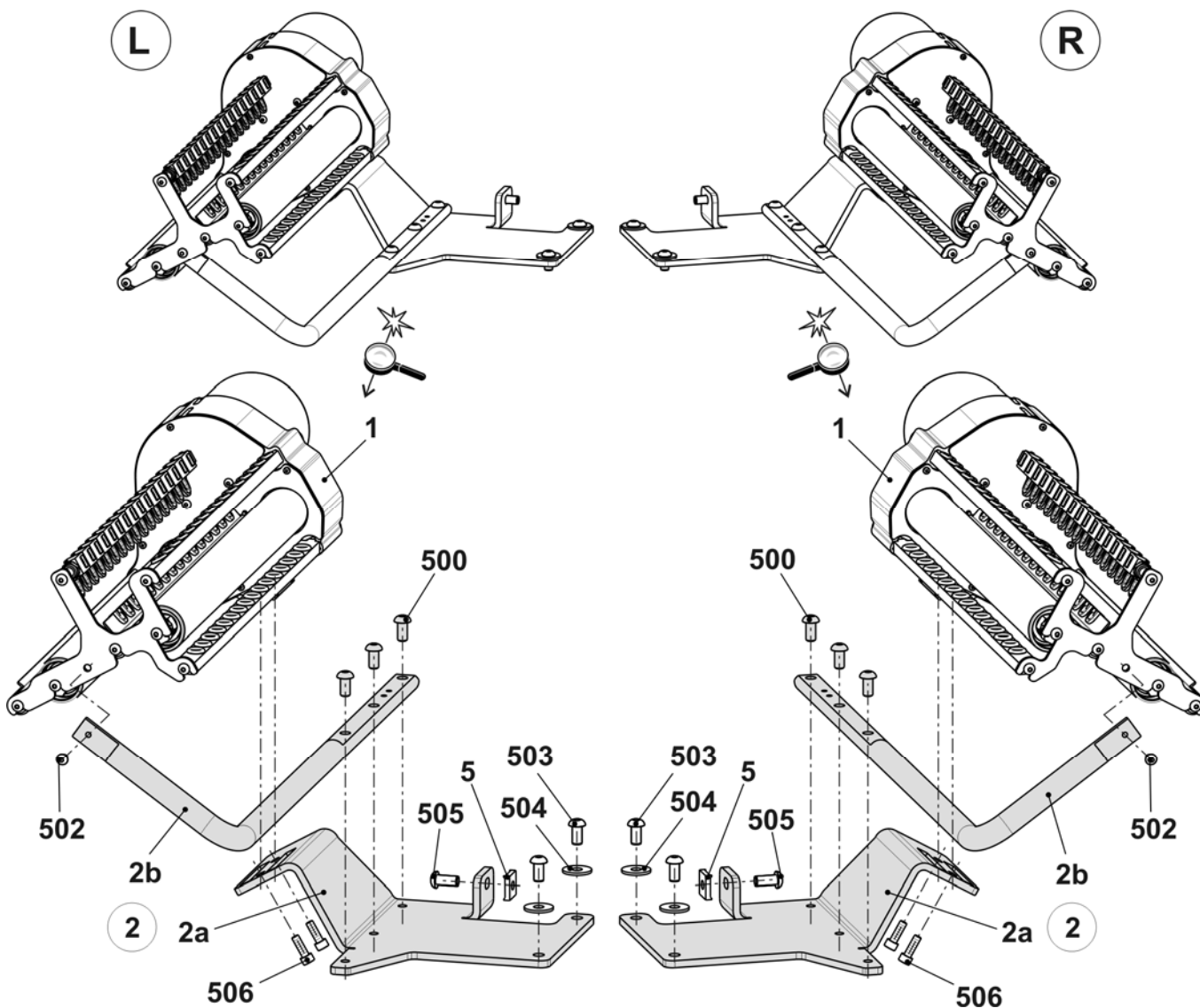
## Yarn guide complete E16-18 IYC

Pos	Designation	ID	Pos	Designation	ID
<b>Σ</b>	<b>Yarn guide complete E16-18 IYC</b>	<b>245 164</b>			
1	Intarsia YC carriage complete 1+8 E16-18	250 331	4	Intarsia YC carriage complete 4+5 E16-18	250 334
	A1 Intarsia YC carriage 1+8	250 315		A4 Intarsia YC carriage 4+5	250 318
	1b Yarn carrier head 1+8 complete E16-18	250 011		4b Yarn carrier head 3-6 complete E16-18	250 013
2	Intarsia YC carriage complete 2+7 E16-18	250 332	5	Limiters on the left with two eyelets	244 446
	2a IYC carriage 2+7	250 316	6	Limiters on the right with two eyelets	244 445
	2b Yarn carrier head 2+7 complete E16-18	250 012	c	Yarn guide angle	242 863
3	Intarsia YC carriage complete 3+6 E16-18	250 333	500	Countersunk screw M4x5	239 549
	3a Intarsia YC carriage 3+6	250 317	501	U-washer 4	020 870
	3b Yarn carrier head 3-6 complete E16-18	250 013			



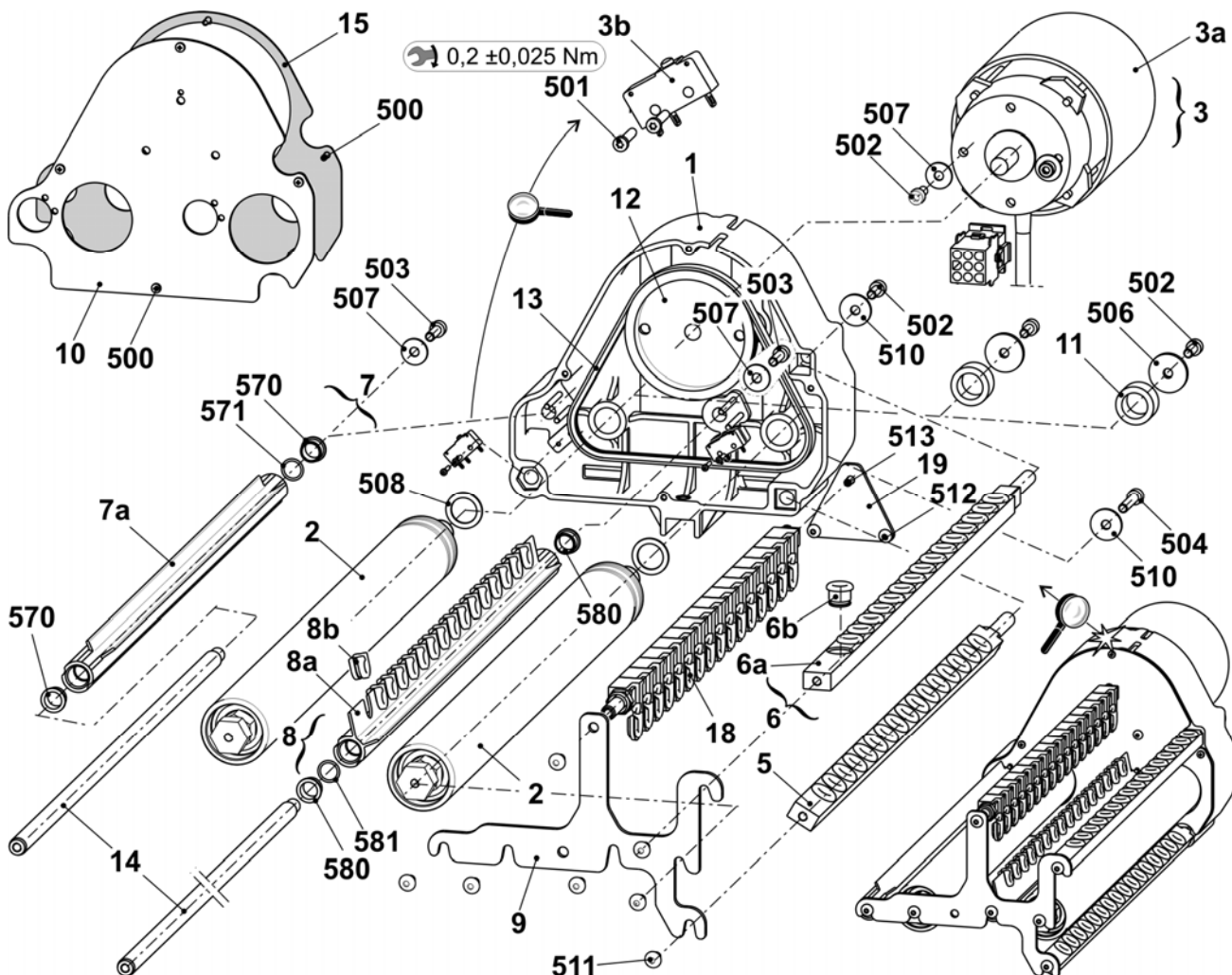
## Friction feed wheel on the left and on the right co.

Pos	Designation	ID No.	Pos	Designation	ID No.
$\Sigma$ L	<b>Friction feed wheel on the left co. 16-fold</b>	<b>254 900</b>	$\Sigma$ R	<b>Friction feed wheel on the right co. 16-fold</b>	<b>254 901</b>
1	Friction feed wheel on the left	244 185	1	Friction feed wheel on the right	244 186
2	##NO_MATCH##. 16-fold	254 534	2	##NO_MATCH##. 16-fold	254 533
	2a	Support of left feed wheel 16 fold	2a	Support of right feed wheel 16 fold	253 842
	2b	Support of table on the left	2b	Support of table on the right	244 561
	500	Countersunk screw M8x16	500	Countersunk screw M8x16	023 113
5	Sliding block	228 851	5	Sliding block	228 851
502	Countersunk screw M5x8	239 408	502	Countersunk screw M5x8	239 408
503	Countersunk screw M8x16	023 113	503	Countersunk screw M8x16	023 113
504	U-washer	023 248	504	U-washer	023 248
505	Countersunk screw M8x18	251 331	505	Countersunk screw M8x18	251 331
506	Cap screw M6x16	020 135	506	Cap screw M6x16	020 135



## Friction feed wheel on the left

Pos	Designation	ID	Pos	Designation	ID
<b>Σ</b>	<b>Friction feed wheel on the left co. 16-fold</b>	<b>244 185</b>	10	Cover	251 098
1	Housing	240 368	11	Bush	221 391
2	Friction roller complete	243 860	12	Ribbed V-belt pulley	221 268
3	Three-phase A.C. motor 3x42V complete	219 800	13	Ribbed V-belt	206 927
	3a Three-phase A.C. motor	220 161	14	Rod	243 868
	3b Microswitch	008 664	15	Cover	230 758
5	Yarn guide rod 16-fold complete	244 576	18	Deflector complete 16-fold	250 102
6	Yarn guide rod 16-fold complete	244 578	19	Protective plate	251 096
	A6 Yarn guide rod 16-fold	244 577	500	Screw KB30x8	236 228
	6b Ceramic eyelet	240 640	501	Cap screw M20x10	244 736
7	Stop motion rail on the right complete	243 863	502	Cap screw M5x12	020 132
	A7 Stop motion rail on the right	243 864	503	Cap screw M5x16	022 726
	570 Slide bearing GFM-101214-07	023 627	504	Cap screw M5x25	023 523
	571 O-ring 10x1.3	244 895	506	Washer 5,3x22x2,5	023 219
8	Stop motion rail on the left complete	243 865	507	U-washer 5	020 901
	A8 Stop motion rail on the left	243 866	508	Shim ring 15x21x1	023 216
	8b Eyelet	230 662	510	U-washer 5	023 542
	580 Slide bearing GFM-101214-07	023 627	511	Countersunk screw M5x8	239 408
	581 O-ring 10x1.3	244 895	512	Countersunk screw M4x5	239 549
9	Strap	251 113	513	Countersunk screw M4x10	023 450



## Friction feed wheel on the right

Pos	Designation	ID	Pos	Designation	ID
<b>Σ</b>	<b>Friction feed wheel on the right co. 16-fold</b>	<b>244 186</b>	10	Cover	251 098
1	Housing	240 368	11	Bush	221 391
2	Friction roller complete	243 860	12	Ribbed V-belt pulley	221 268
3	Three-phase A.C. motor 3x42V complete	219 800	13	Ribbed V-belt	206 927
	3a Three-phase A.C. motor	220 161	14	Rod	243 868
	3b Microswitch	008 664	15	Cover	230 758
5	Yarn guide rod 16-fold complete	244 772	18	Deflector complete 16-fold	250 102
6	Yarn guide rod 16-fold complete	244 578	19	Protective plate	251 096
	A6 Yarn guide rod 16-fold	244 577	500	Screw KB30x8	236 228
	6b Ceramic eyelet	240 640	501	Cap screw M20x10	244 736
7	Stop motion rail on the right complete	243 863	502	Cap screw M5x12	020 132
	A7 Stop motion rail on the right	243 864	503	Cap screw M5x16	022 726
	570 Slide bearing GFM-101214-07	023 627	504	Cap screw M5x25	023 523
	571 O-ring 10x1.3	244 895	506	Washer 5,3x22x2,5	023 219
8	Stop motion rail on the right complete	244 530	507	U-washer 5	020 901
	A8 Stop motion rail on the right	244 531	508	Shim ring 15x21x1	023 216
	8b Eyelet	230 662	510	U-washer 5	023 542
	580 Slide bearing GFM-101214-07	023 627	511	Countersunk screw M5x8	239 408
	581 O-ring 10x1.3	244 895	512	Countersunk screw M4x5	239 549
9	Strap	251 113	513	Countersunk screw M4x10	023 450

