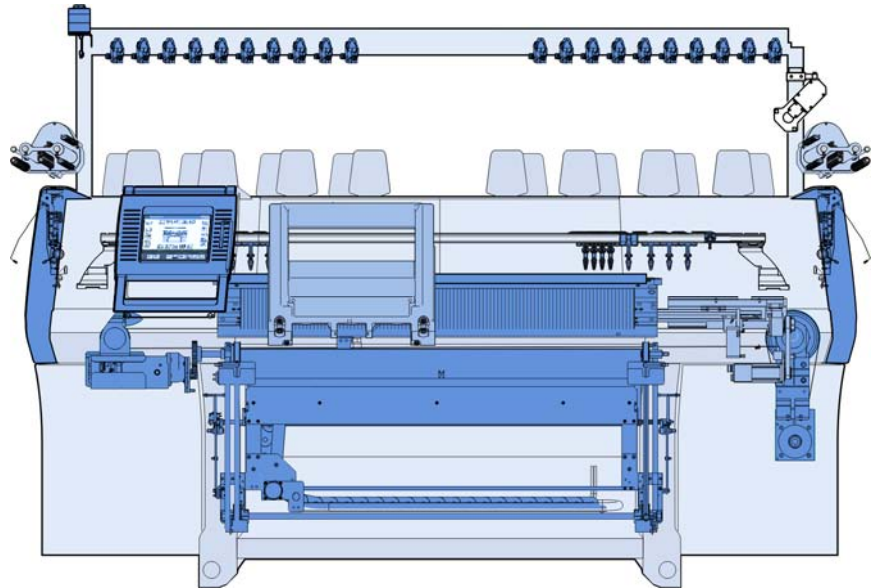


# Spare Parts Catalog

## CMS 530 T (Type 585)

### Component Type 004



# Introduction

## Notes for the order

This catalog serves to order spare parts.

It applies only to the machine type recorded on the title page.

With orders of spare parts we earnestly request the following details, as otherwise a satisfactory delivery of parts is not possible:

1. Type of machine, gauge, no. of machine.

2. Page no., designation, id, quantity.


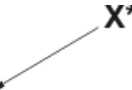


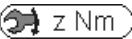


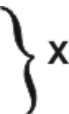


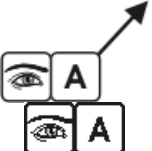
Please use the order form!

Use original spare parts from Stoll for repairing only.



## Search help

In order to make the search of the spare parts easier, the following elements will be used in the spare parts catalog:

Symbol	Signification
$\Sigma$	Indicates an assembly
	Position indicator with the position number (X).
	Indicates an element of another assembly.
	Indicates an assembly which is represented more detailed beside.
	Indicates an assembly which is represented on another page more detailed.
	Screw torques (z) deviating from the preferential row.
	Detail, represented enlarged in the direction of the arrow.
	Explosion representation, single elements enlarged.
	Indicates a group of parts.
	Indicates the left side or view.
	Indicates the right side or view.
	Indicates a section or a view in the viewing direction.

## Torques

<b>Drehmomente</b> <b>Torques</b> <b>Couples</b> <b>Coppias</b> <b>Momentos de rotación</b> [Nm] ± 10 % (für $\mu_{ges} = 0,12$ )		Festigkeitsklassen Property class Classes de résistance Classi di resistenza Clases de resistencia		
		4,8	8,8	12,9
Regelgewinde Coarse-pitch thread Filetage à pas gros Filetto regolatore Filete regulador	M3	<b>0,6</b>	<b>1,2</b>	<b>2,5</b>
	M4	<b>1,2</b>	<b>2,5</b>	<b>5</b>
	M5	<b>2,5</b>	<b>5</b>	<b>9</b>
	M6	<b>5</b>	<b>9</b>	<b>18</b>
	M8		<b>18</b>	<b>40</b>
	M10		<b>40</b>	
	M12		<b>80</b>	

### Preferential row of screw torques

- Torques are **valid** for:  
Connection steel-steel, black, phosphatized, galvanized, rolled or cut thread as well as only for plain (head) supports.
- Torques are **not valid** for:  
protected screws with: Lock washers, rib heads, coated and clamping screws and nuts. They are also not used for self-grooving threads.
- Torques differing from this preferential row of torques must be taken from the corresponding location in the drawings.



# Table of contents

<b>Introduction</b> .....	<b>2</b>
Search help.....	4
Torques.....	5
<b>Carriage drive</b> .....	<b>11</b>
Drive.....	12
Motor and belt drive.....	13
Tension bearing.....	14
Energy chain and carriage driver.....	15
<b>Racking needle bed and additional bed</b> .....	<b>16</b>
Racking needle bed and additional bed.....	17
Needle bed racking.....	18
Additional bed racking on the right.....	19
Racking needle bed on the left.....	20
<b>Needle beds</b> .....	<b>21</b>
Needle bed E7.....	22
Continuation needle bed E7.....	23
Additional bed E7.....	24
Needle bed E8.....	25
Continuation needle bed E8.....	26
Additional bed E8.....	27
Needle bed E10.....	28
Continuation needle bed E10.....	29
Additional bed E10.....	30
Needle bed E12.....	31
Continuation needle bed E12.....	32
Additional bed E12.....	33
Needle bed E14.....	34
Continuation needle bed E14.....	35
Additional bed E14.....	36
Coverand carriage guide bar.....	37
Clamping/cutting unit.....	38
Crankcase.....	39
Crankcase with drive.....	40
Selection housing.....	41
<b>Carriage</b> .....	<b>42</b>
Overview of carriage.....	43
Overview of carriage, continuation.....	44
Cam part E7-8 (Top side).....	45
Cam parts E7-8 (Lower side).....	46

Cam parts E10 (Top side).....	47
Cam parts E10 (Bottom side).....	48
Cam parts E12 (Top side).....	49
Cam parts E12 (Bottom side).....	50
Cam parts E14 (Top side).....	51
Cam parts E14 (Bottom side).....	52
Additional cam box E7-8.....	53
Additional cam box E10-14.....	54
Yarn carrier driving without guiding part.....	55
Yarn carrier driving with guiding part.....	56
Carriage assembly.....	57
Carriage guide.....	58
Needle detector.....	59
Control unit brush.....	60
Control unit Holding-down jack.....	61
Supporting block on the left co.....	62
Control unit co.....	63
Control unit.....	64
Supporting block on the right co.....	65
Carriage cover.....	66
Brush holder.....	67
<b>Main take-down.....</b>	<b>68</b>
Main take-down.....	69
Main take-down left.....	70
Main take-down right.....	71
Swivel-mounted bearing.....	72
Mounting plate.....	73
Floating axle.....	74
Main take-down in the middle.....	75
Stripper angle.....	76
Impulse giver and motor.....	77
Rear take-down roller.....	78
Front take-down roller.....	79
<b>Auxiliary take-down.....</b>	<b>82</b>
Auxiliary take-down pre-assembled.....	83
Right bearing of the auxiliary take-down.....	84
Left bearing of the auxiliary take-down.....	85
Angular sheet metal on the left and right co.....	86
Auxiliary take-down remaining parts.....	87
Motor.....	88
Yarn brake.....	89
<b>Comb take-down.....</b>	<b>90</b>
Comb take-down.....	91
Comb take-down left.....	92
Comb take-down right.....	93
Drive shaft of comb.....	94
Swivel lever comb take-down.....	95
Comb take-down in the middle.....	96
Comb unit E7 + E8 + E10.....	97
Comb unit E12 + E14.....	98
Switch lever comb take-down.....	99
Motor take-down unit.....	100
<b>Yarn delivery device.....</b>	<b>101</b>

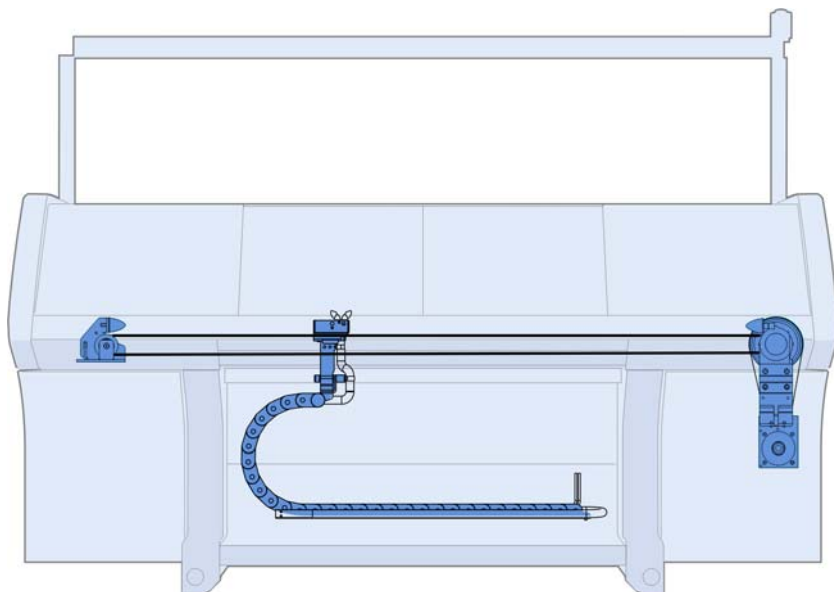


THE RIGHT WAY TO KNIT

Yarn guide system with 14 FKE .....	102
Yarn guide system with 18 FKE .....	103
Yarn control unit.....	104
Bobbin board .....	105
Left yarn guide .....	106
Left yarn tensioner .....	107
Yarn brake and yarn deflector .....	108
Left tension axle.....	109
Right yarn guide.....	110
Right yarn tensioner.....	111
Right tension axle .....	112
Yarn carrier and guide rails .....	113
Yarn carriers complete.....	114
Left friction feed wheel.....	115
Right friction feed wheel .....	116
<b>Fluff absorption .....</b>	<b>117</b>
Fluff absorption .....	118
Lint container .....	119
Set of tubes.....	120
<b>Operation and control .....</b>	<b>121</b>
Input unit.....	122
Starting unit.....	123
Bearing of the engaging rod .....	124
Signal light .....	125
Collecting area - control.....	126
Shock stop motion (up to E14) .....	127
Measuring device E7 + E8.....	128
Measuring device E10 + E12 + E14.....	129
<b>Protective units.....</b>	<b>130</b>
Lateral safety covers.....	131
Panelling .....	132
Rear panel .....	133
<b>Electrical equipment.....</b>	<b>134</b>
Circuit diagram as PDF.....	135
Fuses .....	136
Trailing cable .....	137
Cable set installation.....	138
Loom of cables base 1 OKC.....	139
Loom of cables base 2 OKC.....	140
Loom of Cables for Comb.....	141
Loom of cables 50" .....	142
Loom of cables 530T/1 .....	143
Loom of cables 530T/2 .....	144

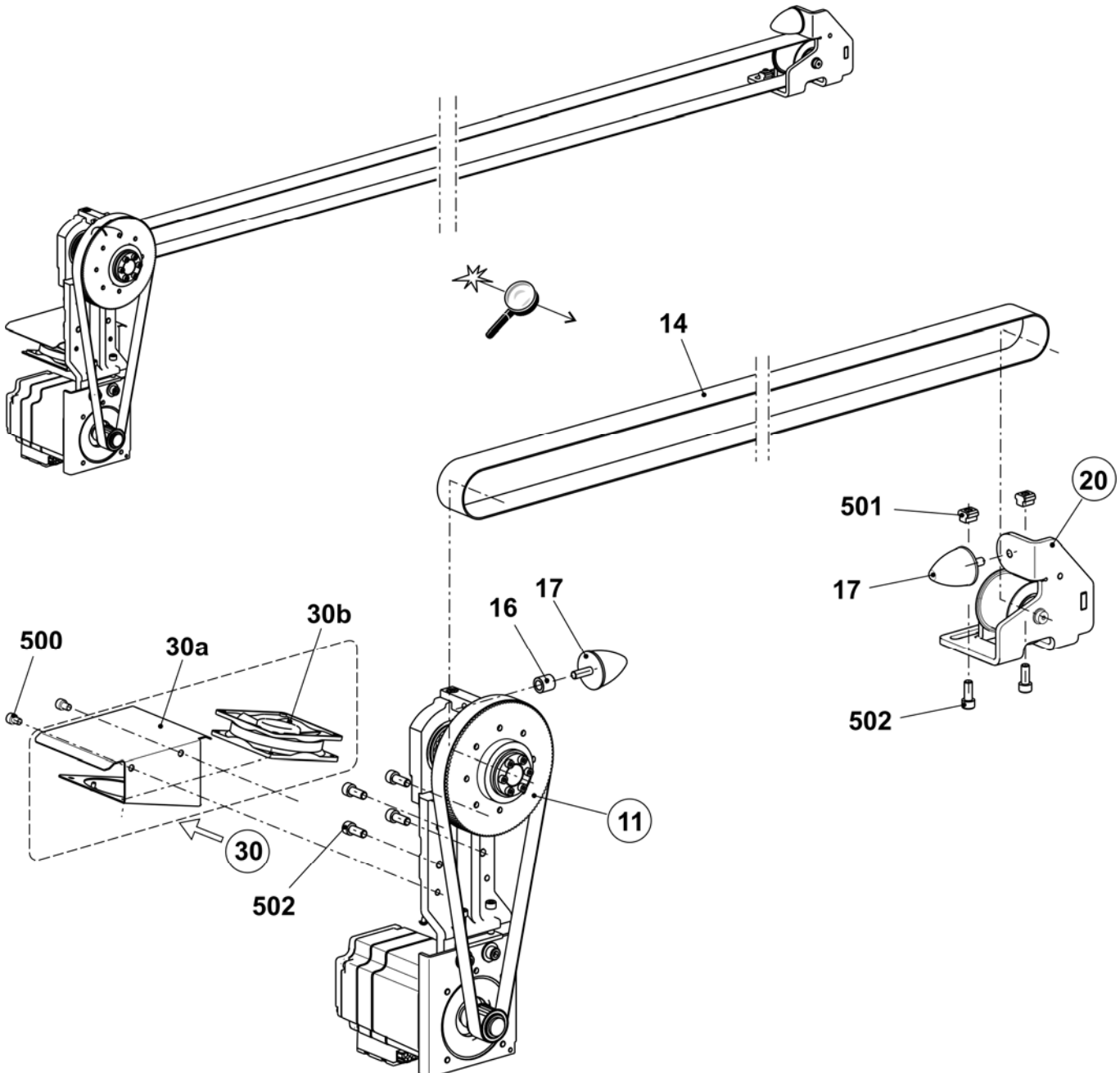
<b>Control electronics .....</b>	<b>145</b>
Left control cabinet.....	146
Right control cabinet .....	147
<b>Deliverable accessories .....</b>	<b>148</b>
Tool .....	149
Lubricating stuff.....	150
Mechanical parts.....	151
<b>Special equipment .....</b>	<b>152</b>
Intarsia yarn carriers complete.....	153
Carriage IYC .....	154
Bow and head IYC .....	155
Plating yarn carrier 3+6.....	156
Plating yarn carrier 4+5.....	157
Carriage of plating yarn carrier .....	158
Carriage of plating yarn carrier (adjustable) .....	159
Yarn length measuring device .....	160
Feed wheel SFE .....	161
Bobbin holder on the left.....	162
Bobbin holder on the right.....	163
Additional board.....	164
Additional board (top, bottom) .....	165
<b>Conversion kit 16 IYC type 2.....</b>	<b>166</b>
Overview of conversion kit E7 + E8.....	167
Overview of conversion kit E10 + E12 + E14 .....	168
Driving in the middle .....	169
Driving outside .....	170
Parts for the yarn guide system .....	171
Thread deflector on the left.....	172
Yarn deflector on the right.....	173
IYC carriage co. x+y E7 + 8.....	174
IYC carriage co. x+y E10 + E12 + 14 .....	175

## Carriage drive



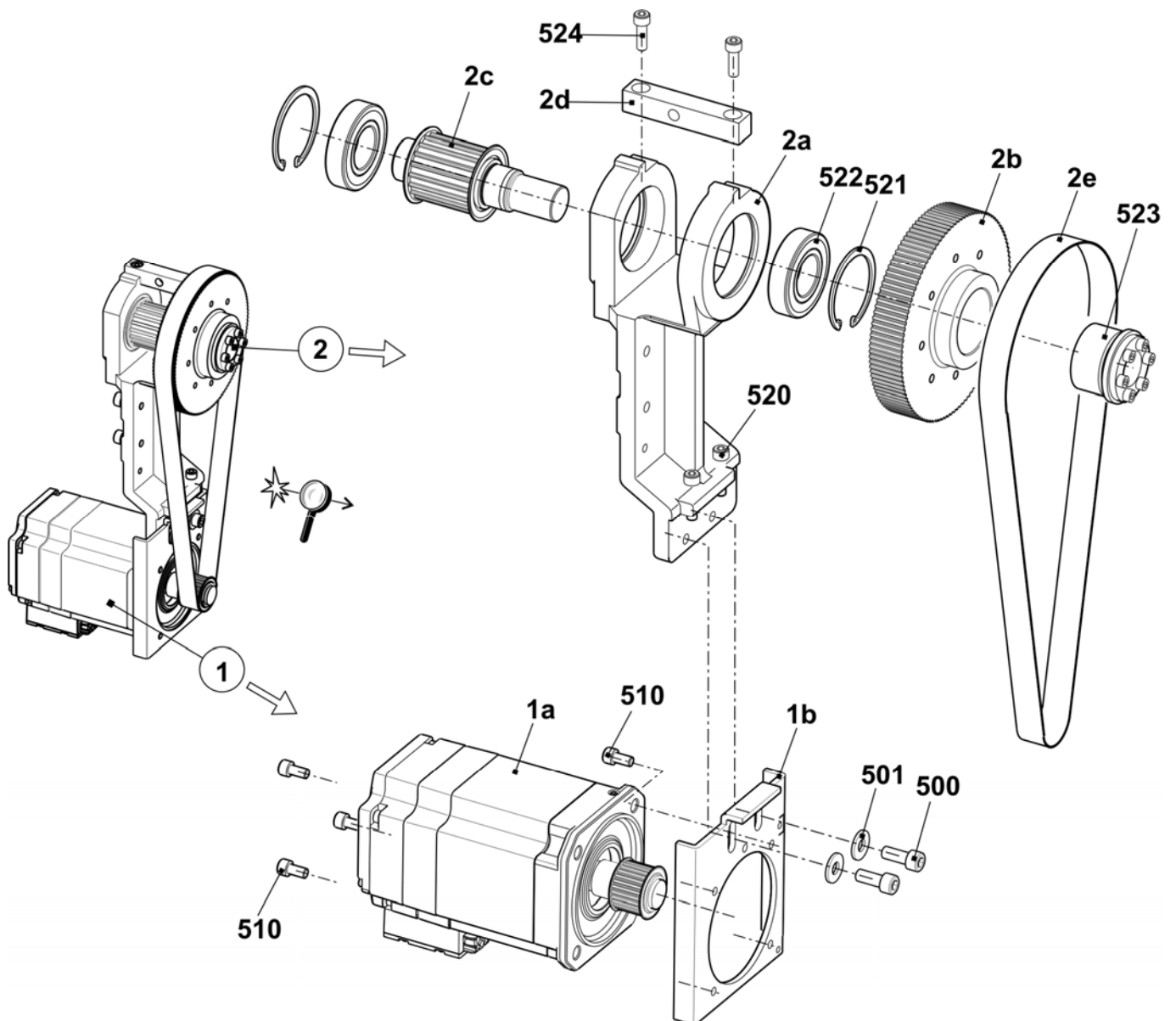
# Drive

Pos	Designation	ID	Pos	Designation	ID
<b>Σ</b>	<b>Drive unit</b>		30	Ventilator co.	242 413
11	Drive unit co.	240 743	30a	Ventilator plate drive motor	241 823
14	Toothed belt 50AT10/4670	253 890	30b	Ventilator co. 512	213 722
16	Distance pipe	222 099	500	Cap screw M8X12	023 138
17	Parabolic spring	200 661	501	Slide nut M10X12	023 471
20	Tension bearing co.	251 581	502	Cap screw M10x25	020 157



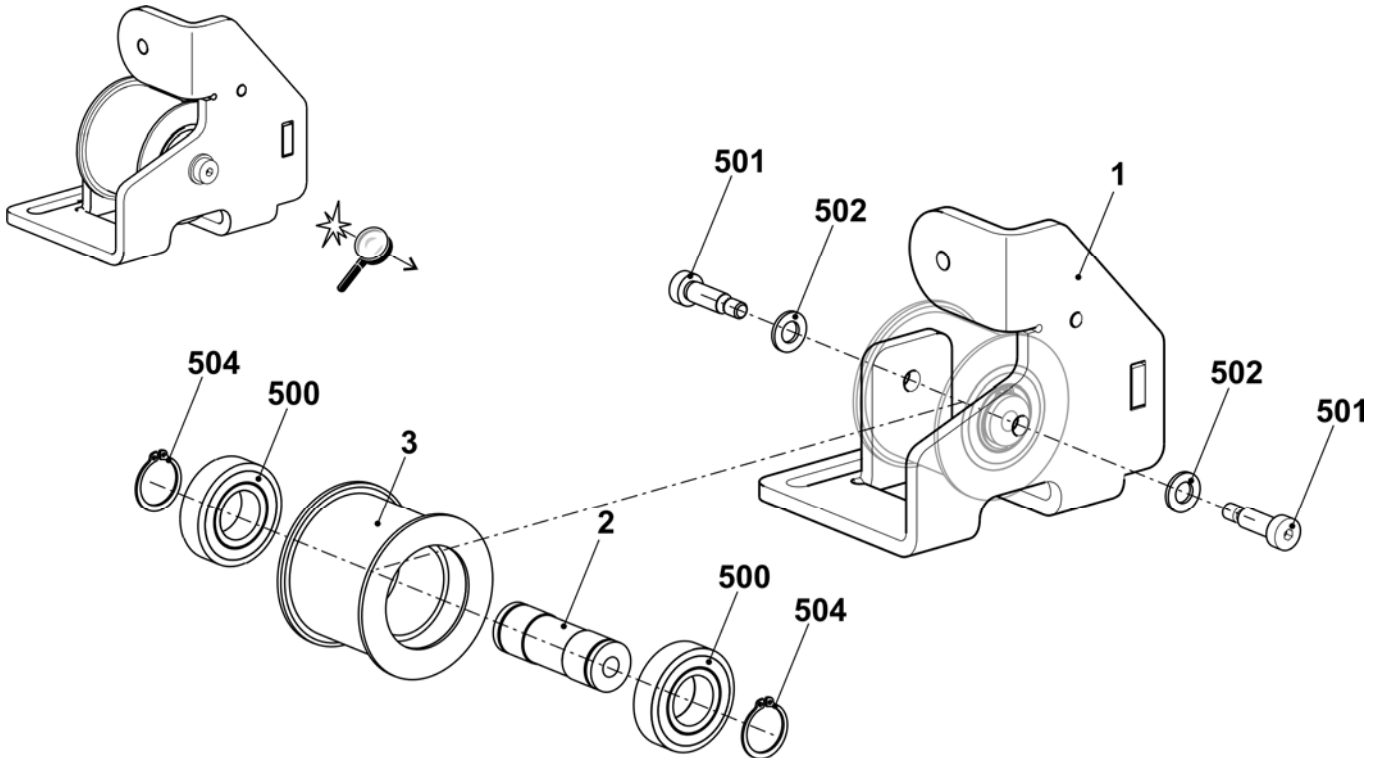
## Motor and belt drive

Pos	Designation	ID	Pos	Designation	ID
<b>Σ</b>	<b>Drive unit co.</b>	<b>240 743</b>	2	Drive bearing co.	240 742
1	Drive unit	240 741	2a	Drive bearing	241 654
1a	Drive motor co.	240 740	2b	Timing belt pulley	240 616
1b	Motor plate	227 662	2c	Pinion 57 AT10 18	242 039
510	Cap screw M8X16	023 629	2d	Support buffer	222 100
500	Cap screw M10x25	020 157	2e	Toothed belt 250 HP-S5M 1050 NG	240 628
501	Disc 10.5X25X2.5	022 178	520	Cap screw M8X35	020 144
			521	Locking ring 68x2.5	022 914
			522	Ball bearing 6207-2RS	022 915
			523	Tension set 30X55	023 208
			524	Cap screw M8X25 12.9	020 142



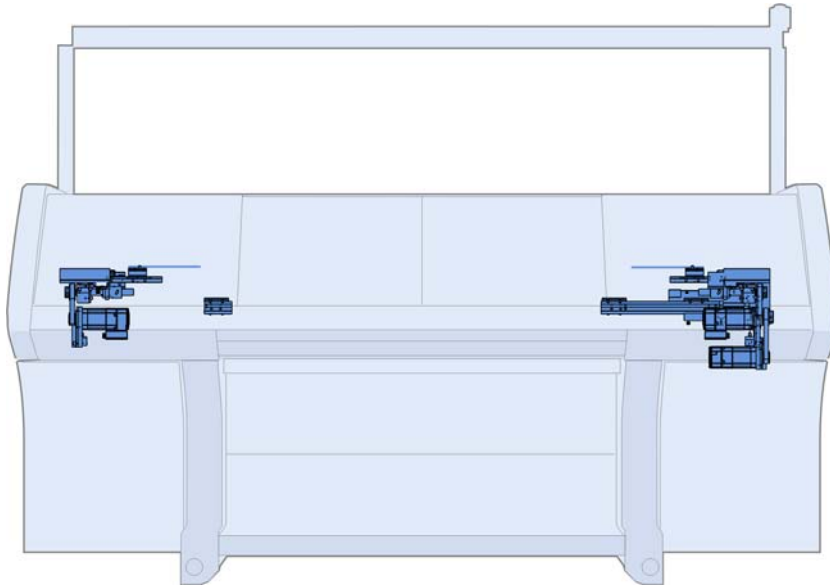
## Tension bearing

Pos	Designation	ID	Pos	Designation	ID
<b>Σ</b>	<b>Tension bearing co.</b>	<b>251 581</b>	500	Ball bearing 6205-2RS	023 559
1	Tension bearing	251 560	501	Cap screw M10x25	023 751
2	Axle	251 579	502	U-washer	020 874
3	Tension roller	251 580	504	Locking ring 25x1.2	251 617





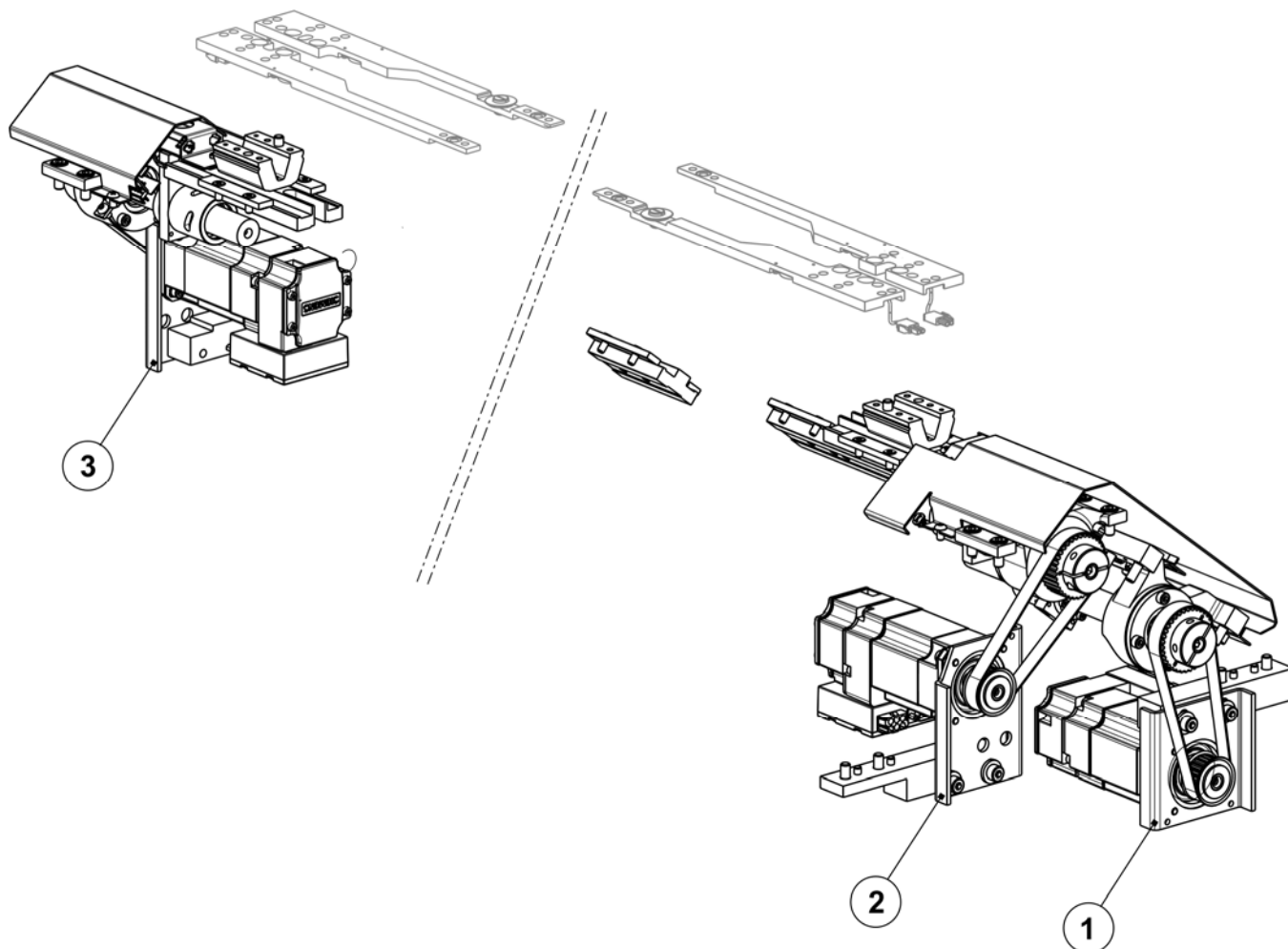
## Racking needle bed and additional bed





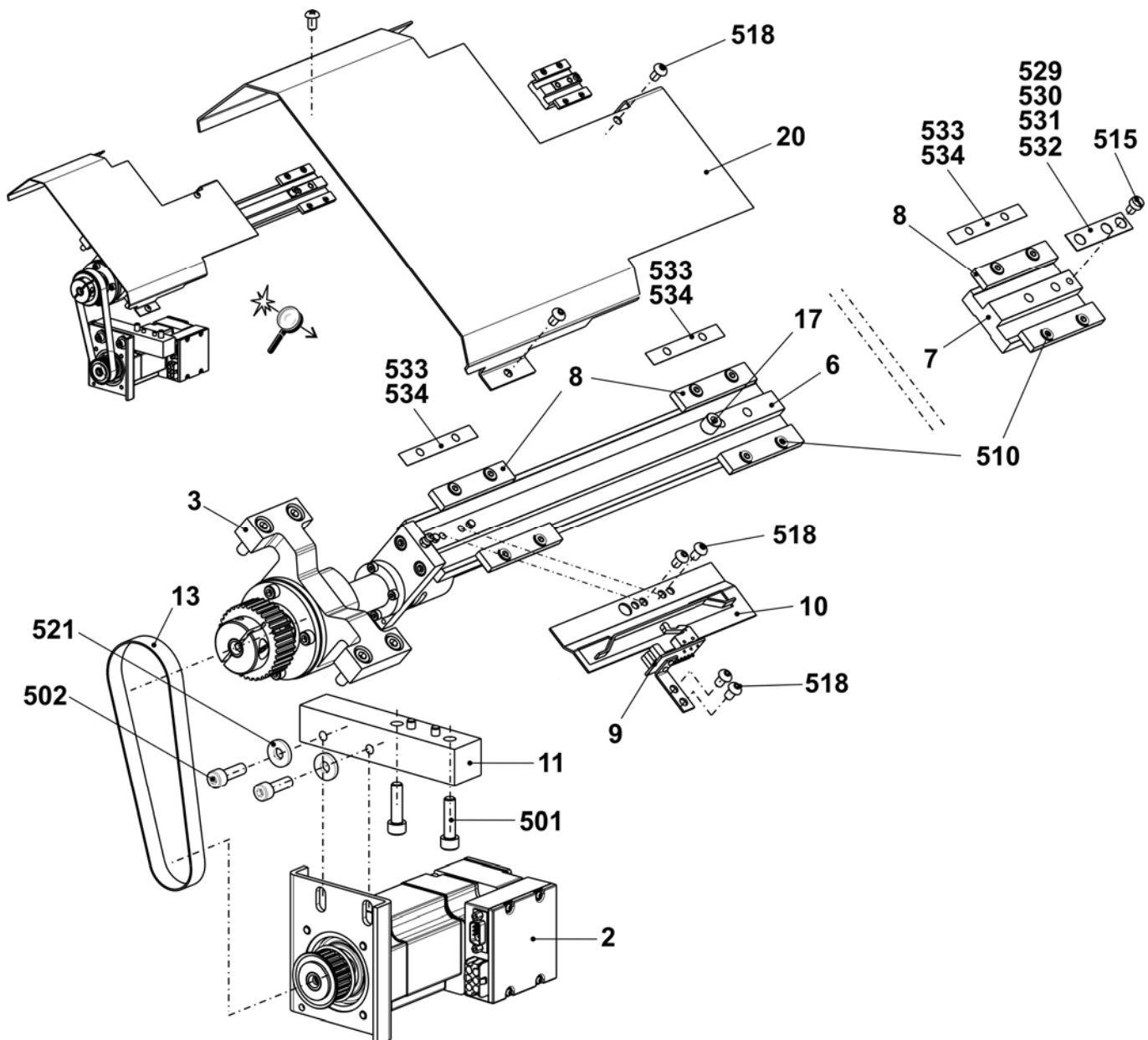
## Racking needle bed and additional bed

Pos	Designation	ID	Pos	Designation	ID
1	Needle bed racking				
2	Additional bed racking on the right				
3	Racking needle bed on the left				



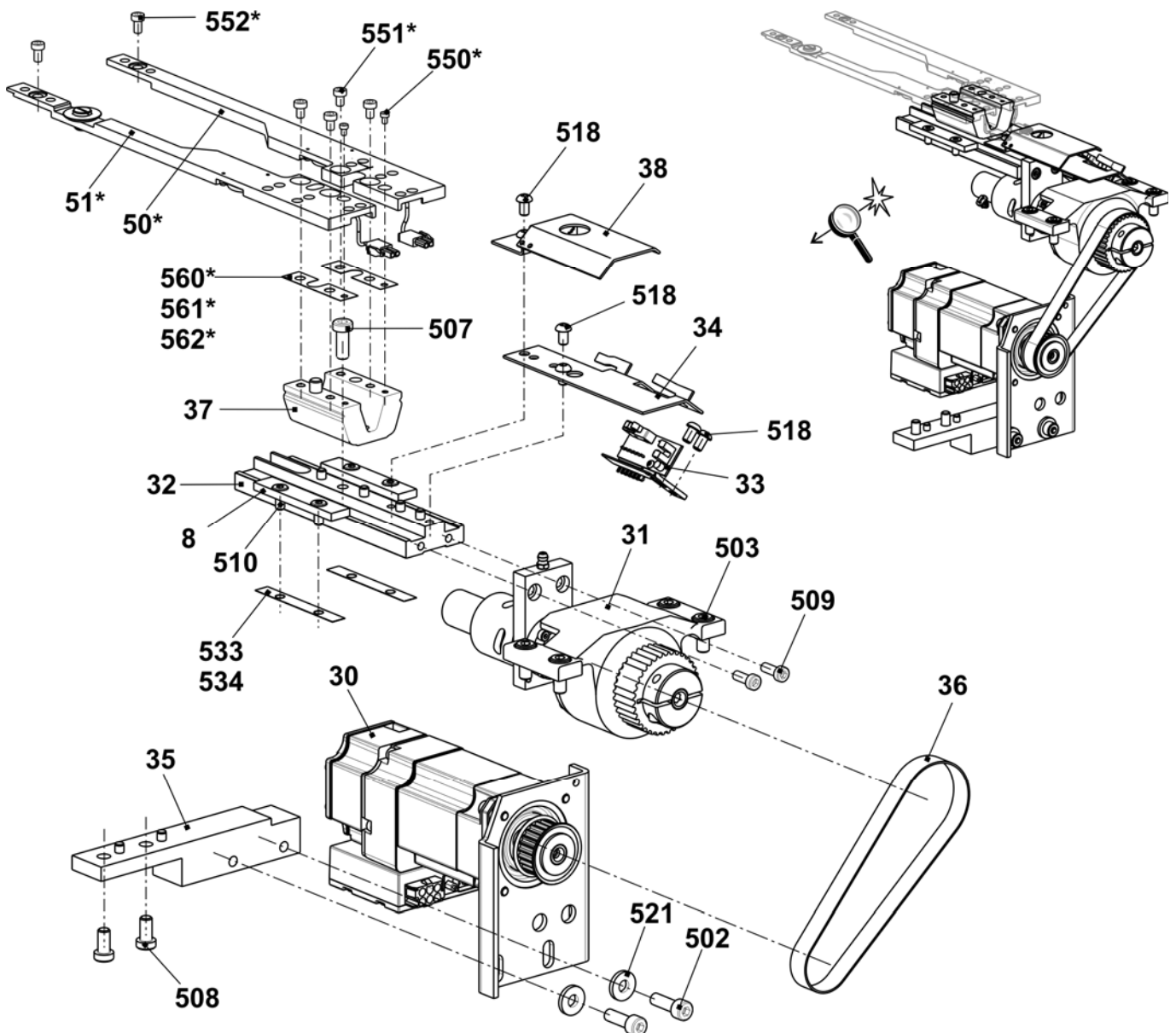
## Needle bed racking

Pos	Designation	ID	Pos	Designation	ID
<b>Σ</b>	<b>Needle bed racking</b>		501	Cap screw M8X30	020 143
2	Three phase servo motor racking co.	241 454	502	Cap screw M8X25	020 142
3	Spindle bearing	253 262	510	Cap screw M6x12	022 795
6	Racking strip	241 853	515	Cap screw M6x8	020 044
7	Racking strip on the left	219 648	518	Countersunk screw M6x10	023 183
8	Guide strip	206 382	521	U-washer 8.4x20x3	022 175
9	Card racking limit switch	229 396	529	Shim 0.03x15x63	023 482
10	Switching metal plate	240 722	530	Shim 0.05x15x63	023 483
11	Bearing	227 605	531	Shim 0.1x15x63	023 484
13	Toothed belt 150 S 5M 425	229 280	532	Shim 0.2x15x63	023 485
17	Stop screw	222 645	533	Shim 0.03x11x80	023 286
20	Racking cover plate	243 203	534	Shim 0.05x11x80	023 287



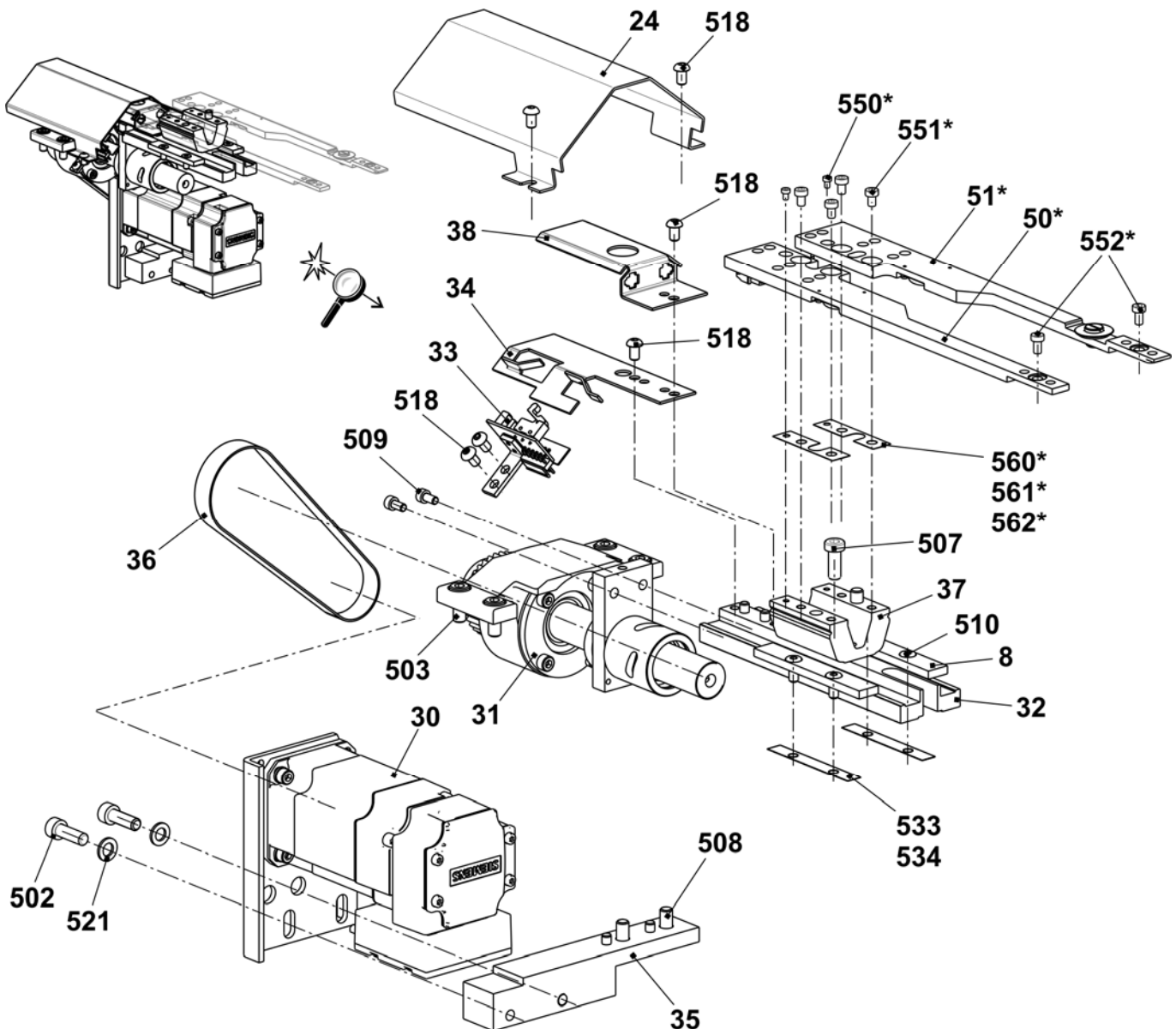
## Additional bed racking on the right

Pos	Designation	ID	Pos	Designation	ID
<b>Σ</b>	<b>Additional bed racking on the right</b>				
8	Guide strip	206 382	509	Cap screw M6x16	023 116
30	Three phase servo motor racking co.	242 731	510	Cap screw M6x12	022 795
31	Spindle bearing	243 206	518	Countersunk screw M6x10	023 183
32	Racking plate ZB 530 T	243 198	521	U-washer 8.4x20x3	022 175
33	Card racking limit switch	232 300	533	Shim 0.03x11x80	023 286
34	Switching metal plate ZB	242 908	534	Shim 0.05x11x80	023 287
35	Bearing	243 599	560*	Sim 0.05x60x15	023 479
36	Toothed belt 150 S5M 410	244 254	561*	Shim 0.10x60x15	023 480
37	Driver additional bed	243 197	562*	Shim 0.20x60x15	023 481
38	Sheet metal for plug	242 909	50*	Connection at the rear on the right co.	243 200
502	Cap screw M8X25	020 142	51*	Connection at the front on the right co.	243 199
503	Cap screw M8x16	023 629	550*	Cap screw M4x6	020 019
507	Cap screw M8X20	023 621	551*	Cap screw M6x8	023 532
508	Cap screw M8x16	023 144	552*	Cap screw M6x10	022 773

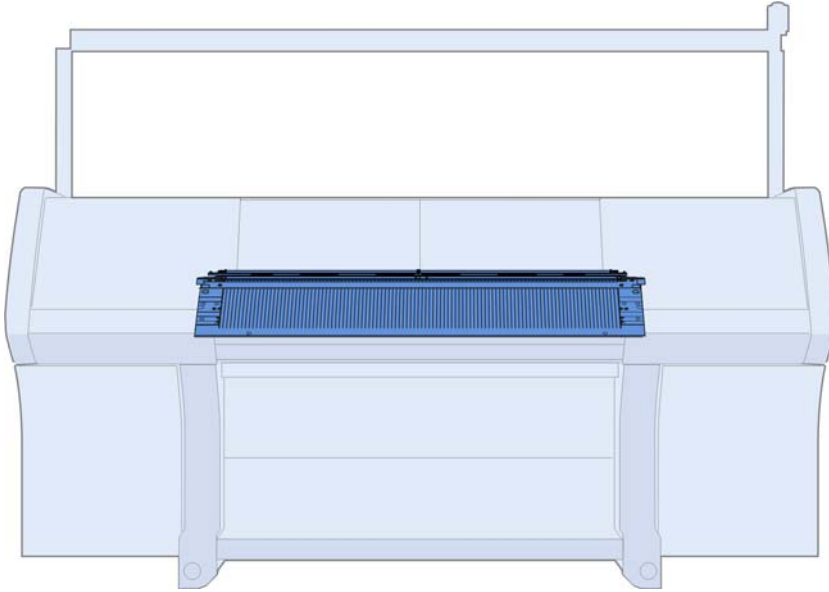


## Racking needle bed on the left

Pos	Designation	ID	Pos	Designation	ID
<b>Σ</b>	<b>Racking needle bed on the left</b>		508	Cap screw M8x16	023 144
8	Guide strip	206 382	509	Cap screw M6x16	023 116
24	Racking cover plate	244 435	510	Cap screw M6x12	022 795
30	Three phase servo motor racking co.	242 731	518	Countersunk screw M6x10	023 183
31	Spindle bearing	243 206	521	U-washer 8.4x20x3	022 175
32	Racking plate ZB 530 T	243 198	533	Shim 0.03x11x80	023 286
33	Card racking limit switch	232 300	534	Shim 0.05x11x80	023 287
34	Switching metal plate ZB	242 908	560*	Sim 0.05x60x15	023 479
35	Bearing	243 599	561*	Shim 0.10x60x15	023 480
36	Toothed belt 150 S5M 410	244 254	562*	Shim 0.20x60x15	023 481
37	Driver additional bed	243 197	50*	Connection at the front on the left co.	243 200
38	Sheet metal for plug	242 909	51*	Connection at the rear on the left co.	243 199
502	Cap screw M8X25	020 142	550*	Cap screw M4x6	020 019
503	Cap screw M8x16	023 629	551*	Cap screw M6x8	023 532
507	Cap screw M8X20	023 621	552*	Cap screw M6x10	022 773

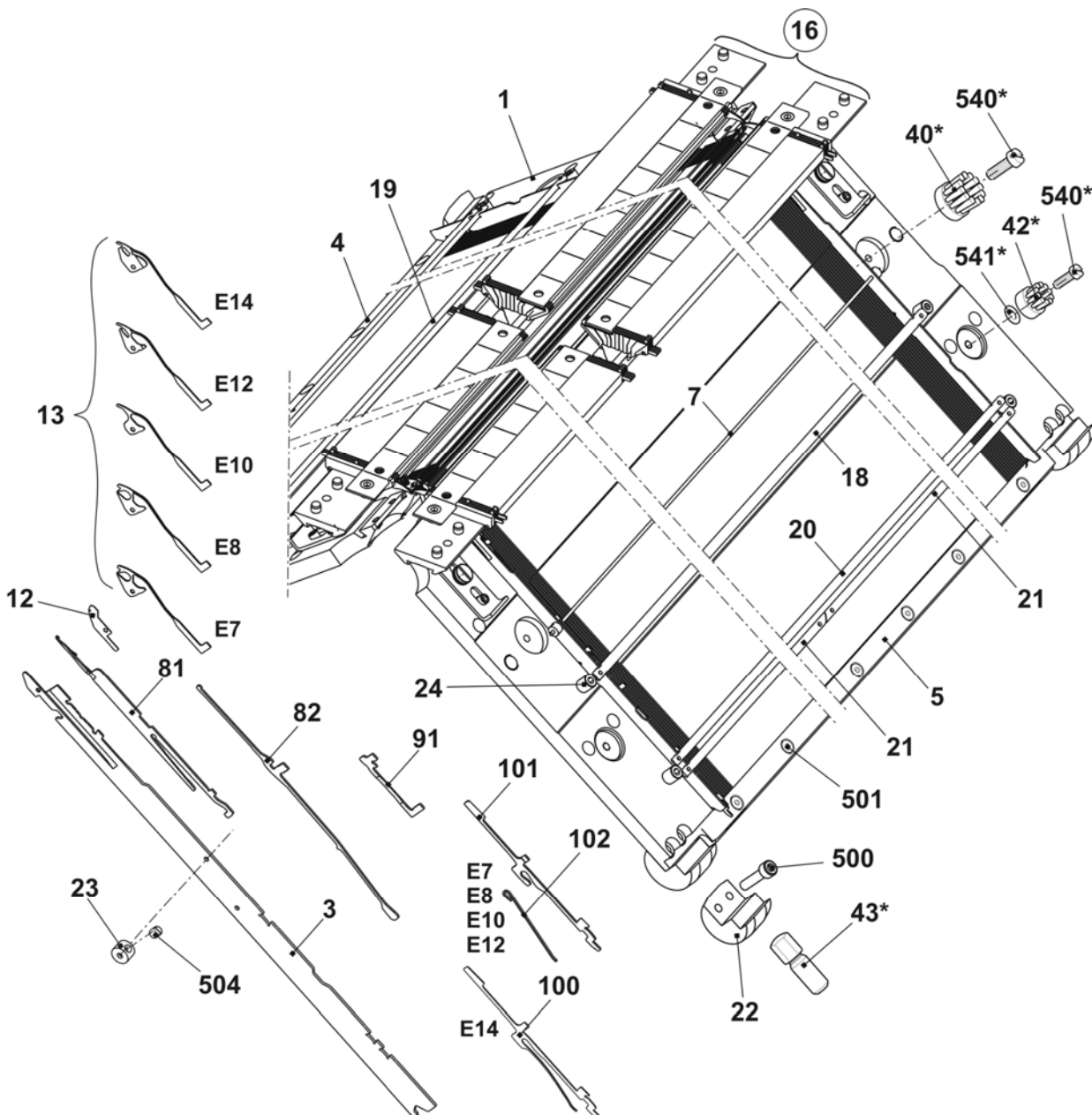


## Needle beds



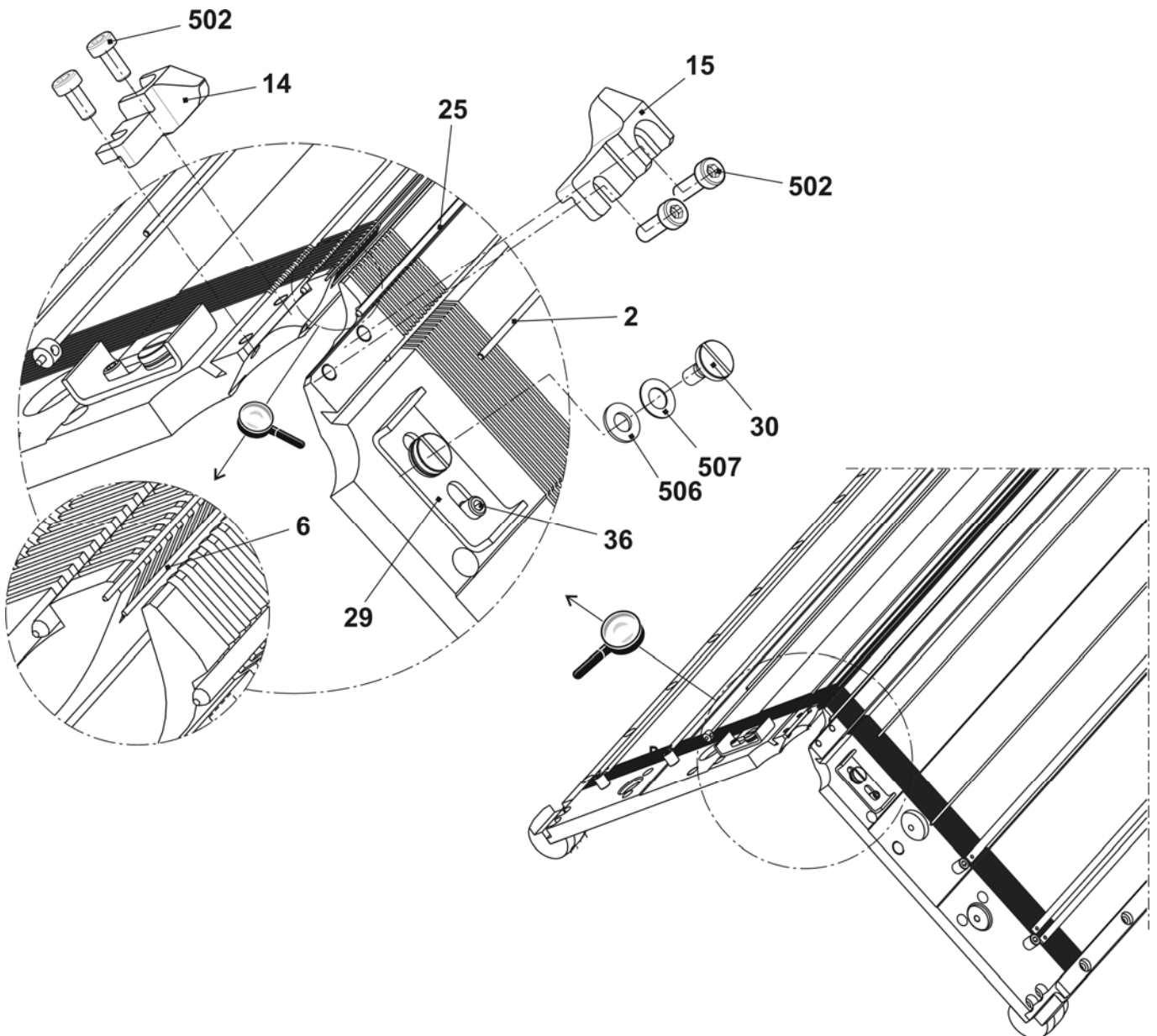
## Needle bed E7

Pos	Designation	ID	Pos	Designation	ID
<b>Σ</b>	<b>Needle bed co. at the front + rear E7</b>	<b>243 239</b>			
1	Needle bed at the front + rear E7	219 427	19	Cover rail at the front E7	214 034
3	Main trick wall E7	219 147	20	Cover rail	213 762
4	Pressure bar at the front E5-14	219 536	21	Cover rail	213 763
5	Pressure bar at the rear E5-14	219 537	22	Support	241 339
7	Spring steel wire ø2.0 mm	213 996	23	Bush	206 090
81	Needle E7 with round hook	205 397	24	Stop screw	214 039
82	Coupling part E4-E8	200 682	500	Cap screw M6x14	022 658
91	Intermediate slider with brake E5-8	237 323	501	Cap screw M5x8	023 379
101	Selection jack E4-E8	235 765	504	Set screw M3.5x3	020 512
102	Selector spring E4-E8	200 690	40*	Disk brush	235 612
12	Knock-over bit E7	219 168	42*	Disk brush	202 600
13	Holding-down jack breast E7	226 145	43*	Adjusting bolt	206 348
16	Cam box co. E7	243 213	540*	Cap screw M5x12	020 032
18	Cover rail at the rear	213 981	541*	Adjusting washer P6x0.3	023 540



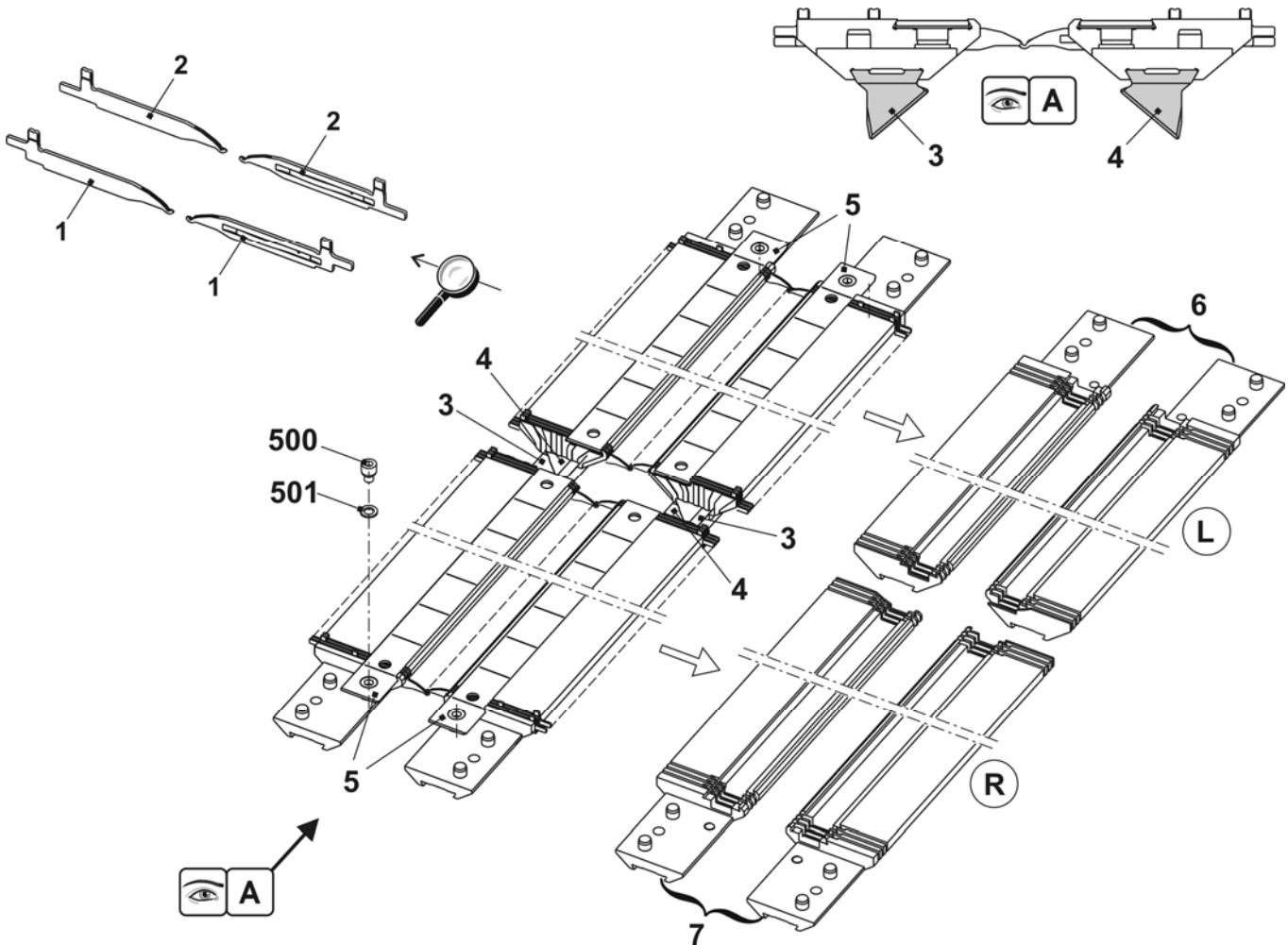
## Continuation needle bed E7

Pos	Designation	ID	Pos	Designation	ID
2	Fixed wire $\varnothing 3.4$ mm	213 995	30	Shoulder screw	219 958
6	Spring steel wire $\varnothing 0.8$ mm, E7-8	213 989	36	Eccentric	231 069
14	Limiters on the left E5-8	243 195	502	Cap screw M5x10	022 918
15	Limiters on the right E5-8	243 196	506	Adjusting washer 6x12x1	023 444
25	Spring steel wire $\varnothing 1.95$ mm	213 997	507	Spring washer B6-FST	023 493
29	Safety plate	219 955			



## Additional bed E7

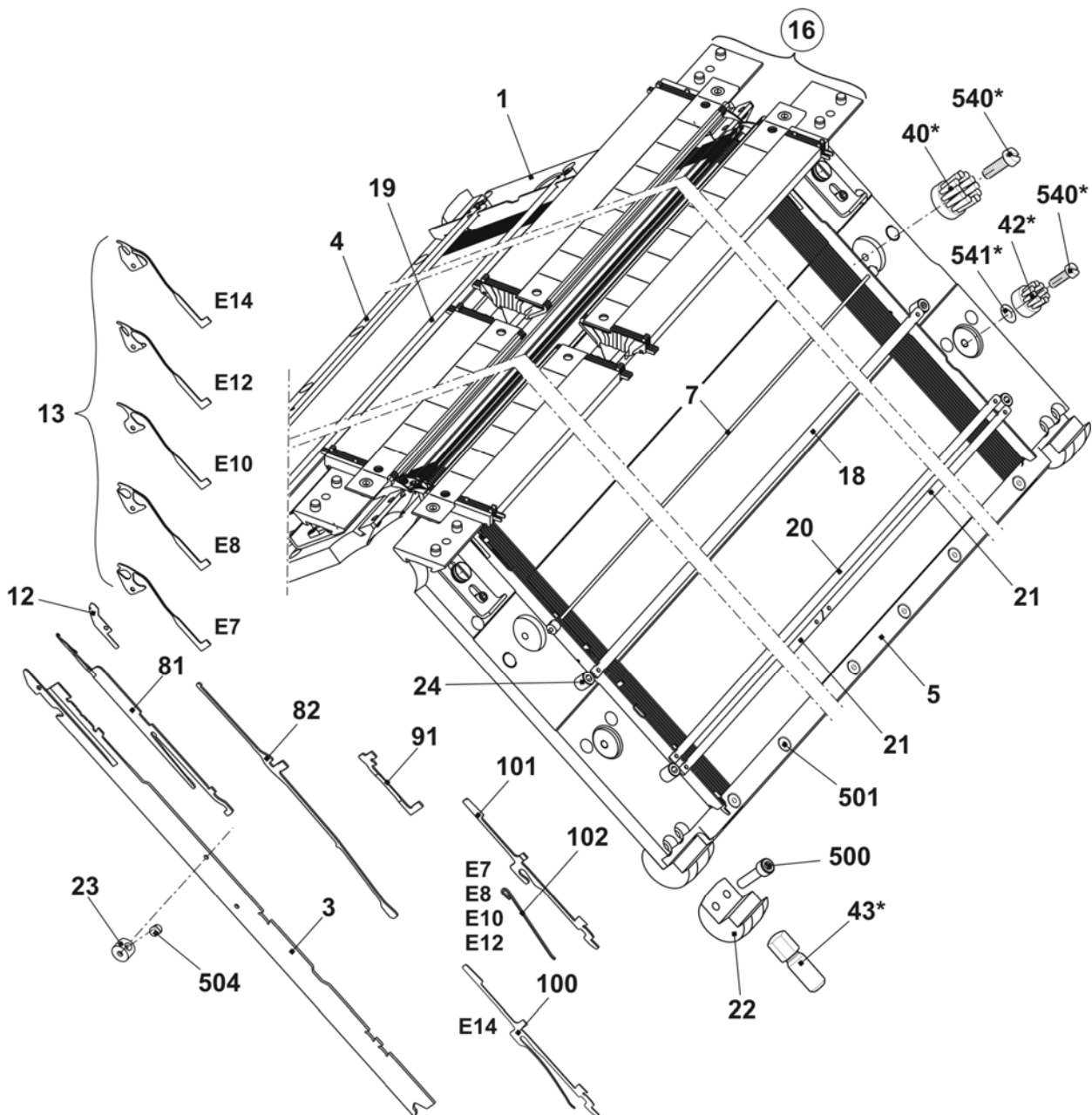
Pos	Designation	ID	Pos	Designation	ID
<b>Σ</b>	<b>Cam box co. E7</b>	<b>243 213</b>	5	Cover rail	229 249
1	Transfer cam selection at the top E7-8	228 994	6	Additional bed at the front and rear on the left E7	243 183
2	Transfer cam selection bottom E7-8	228 995	7	Additional bed at the front and rear on the right E7	243 188
3	Needle rail on the right	229 264	500	Srew M5x6	235 871
4	Needle rail on the left	229 263	501	U-washer	020 880





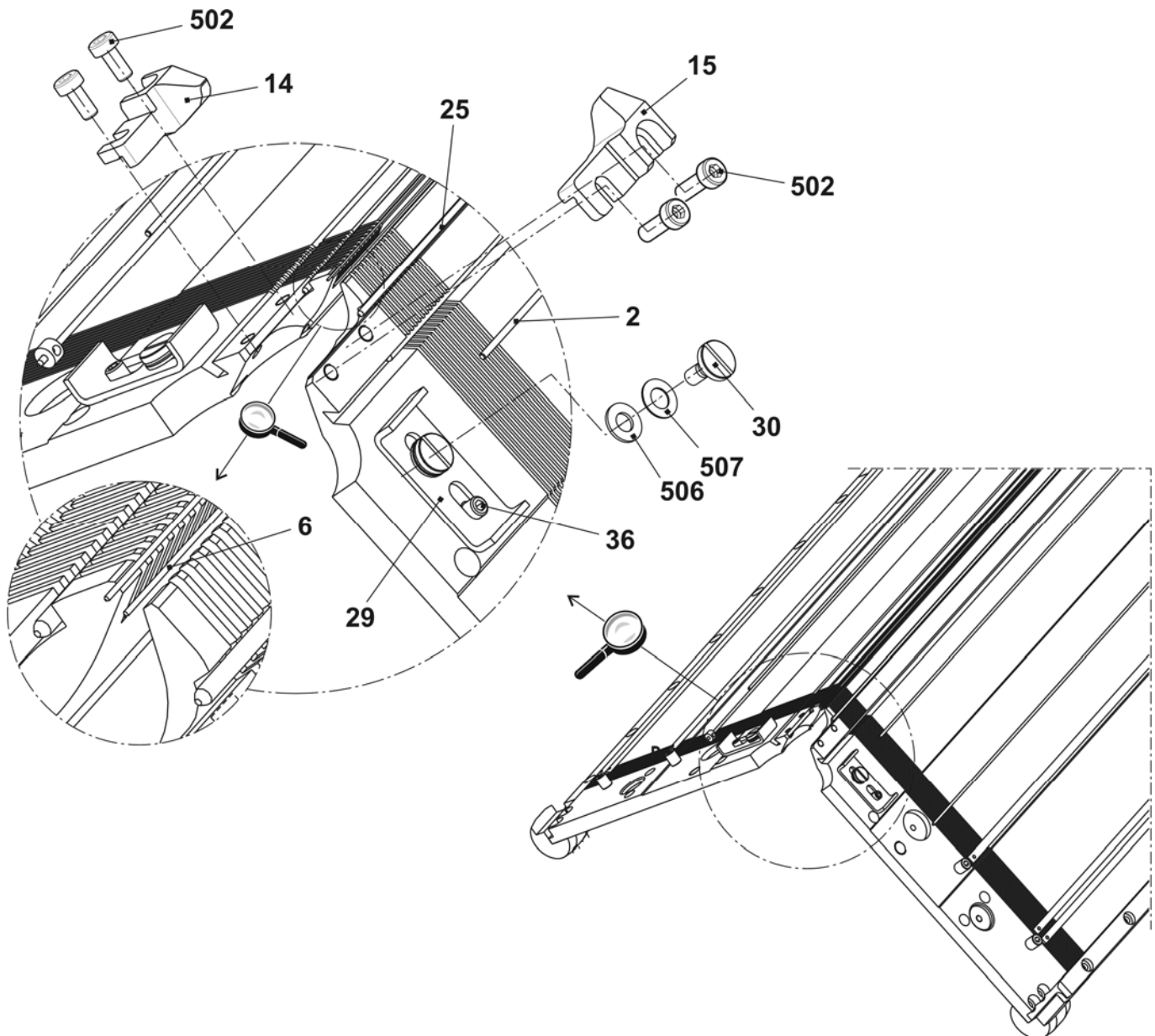
## Needle bed E8

Pos	Designation	ID	Pos	Designation	ID
<b>Σ</b>	<b>Needle bed co. at the front and rear E8</b>	<b>243 240</b>			
1	Needle bed at the front + rear E8	219 428	19	Cover rail at the front E8	214 035
3	Main trick wall E8	219 354	20	Cover rail	213 762
4	Pressure bar at the front E5-14	219 536	21	Cover rail	213 763
5	Pressure bar at the rear E5-14	219 537	22	Support	241 339
7	Spring steel wire ø2.0 mm	213 996	23	Bush	206 090
81	Needle E8 with round hook	208 745	24	Stop screw	214 039
82	Coupling part E4-E8	200 682	500	Cap screw M6x14	022 658
91	Intermediate slider with brake E5-8	237 323	501	Cap screw M5x8	023 379
101	Selection jack E4-E8	200 687	504	Set screw M3.5x3	020 512
102	Selector spring E4-E8	200 690	40*	Disk brush	235 612
12	Knock-over bit E8	219 374	42*	Disk brush	202 600
13	Holding-down jack breast E8	226 142	43*	Adjusting bolt	206 348
16	Additional bed co. E8	243 214	540*	Cap screw M5x12	020 032
18	Cover rail at the rear	213 981	541*	Adjusting washer P6x0.3	023 540



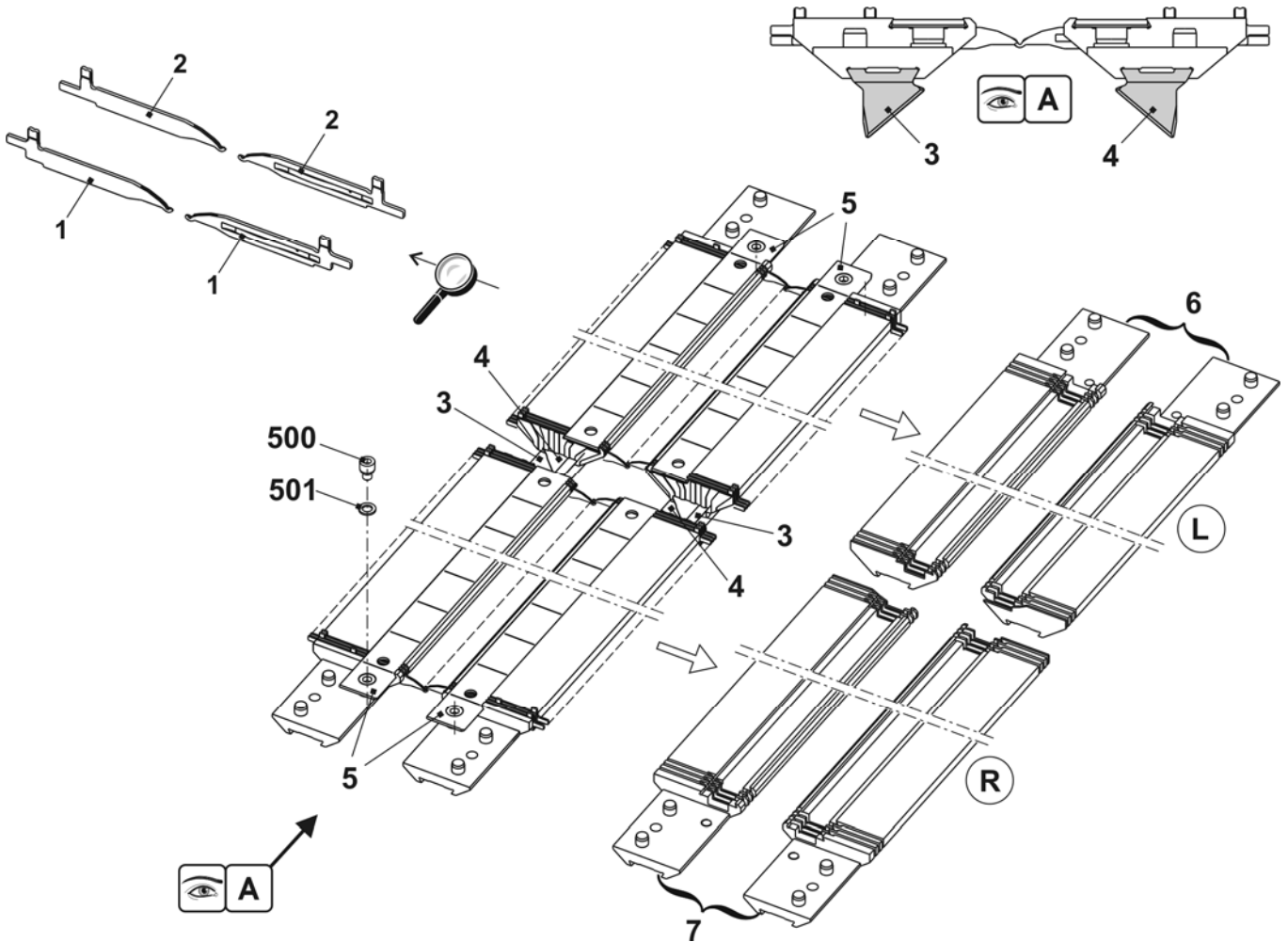
## Continuation needle bed E8

Pos	Designation	ID	Pos	Designation	ID
2	Fixed wire $\varnothing 3.4$ mm	213 995	30	Shoulder screw	219 958
6	Spring steel wire $\varnothing 0.8$ mm, E7-8	213 989	36	Eccentric	231 069
14	Limiters on the left E5-8	243 195	502	Cap screw M5x10	022 918
15	Limiters on the right E5-8	243 196	506	Adjusting washer 6x12x1	023 444
25	Spring steel wire $\varnothing 1.95$ mm	213 997	507	Spring washer B6-FST	023 493
29	Safety plate	219 955			



## Additional bed E8

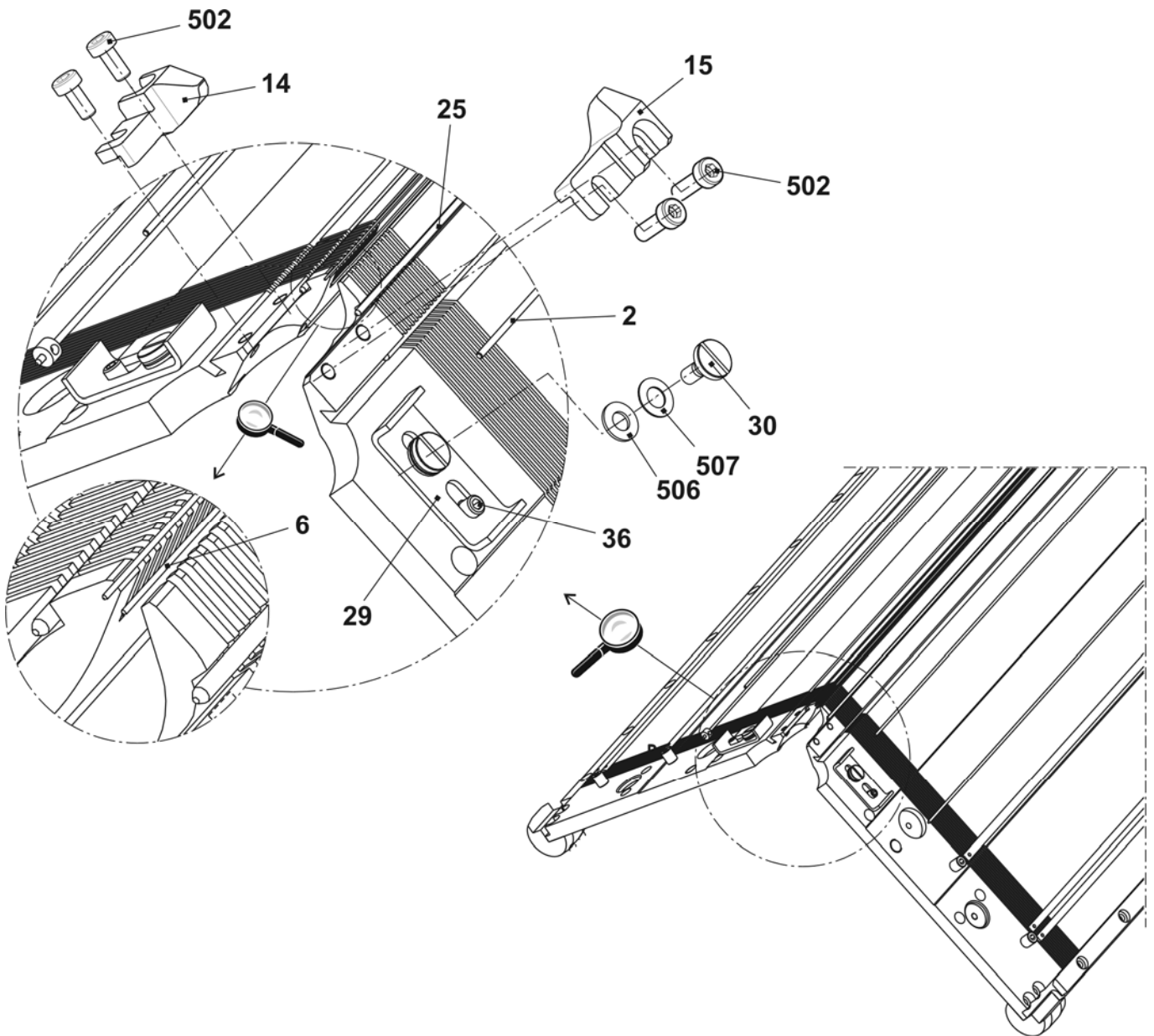
Pos	Designation	ID	Pos	Designation	ID
$\Sigma$	<b>Additional bed co. E8</b>	<b>243 214</b>	5	Cover rail	229 249
1	Transfer cam selection at the top E7-8	228 994	6	Additional bed at the front and rear on the left E8	243 184
2	Transfer cam selection bottom E7-8	228 995	7	Additional bed at the front and rear on the right E8	243 189
3	Needle rail on the right	229 264	500	Srew M5x6	235 871
4	Needle rail on the left	229 263	501	U-washer	020 880





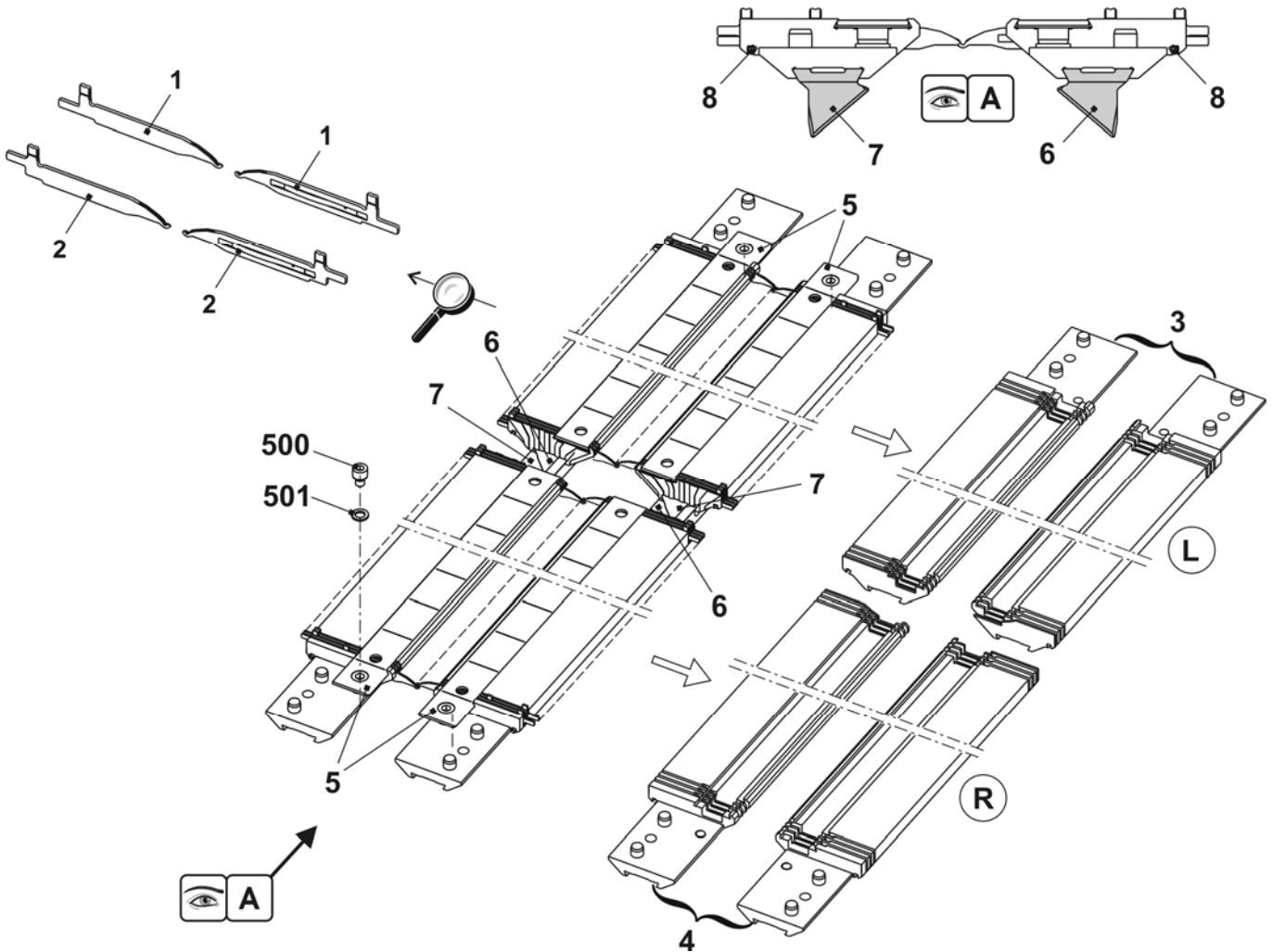
## Continuation needle bed E10

Pos	Designation	ID	Pos	Designation	ID
2	Fixed wire $\varnothing 3.4$ mm	213 995	30	Shoulder screw	219 958
6	Spring steel wire $\varnothing 0.6$ mm, E10-14	213 990	36	Eccentric	231 069
14	Limiters on the right E10-14	243 202	502	Cap screw M5x10	022 918
15	Limiters on the left E10-14	243 201	506	Adjusting washer 6x12x1	023 444
25	Spring steel wire $\varnothing 1.95$ mm	213 997	507	Spring washer B6-FST	023 493
29	Safety plate	219 955			



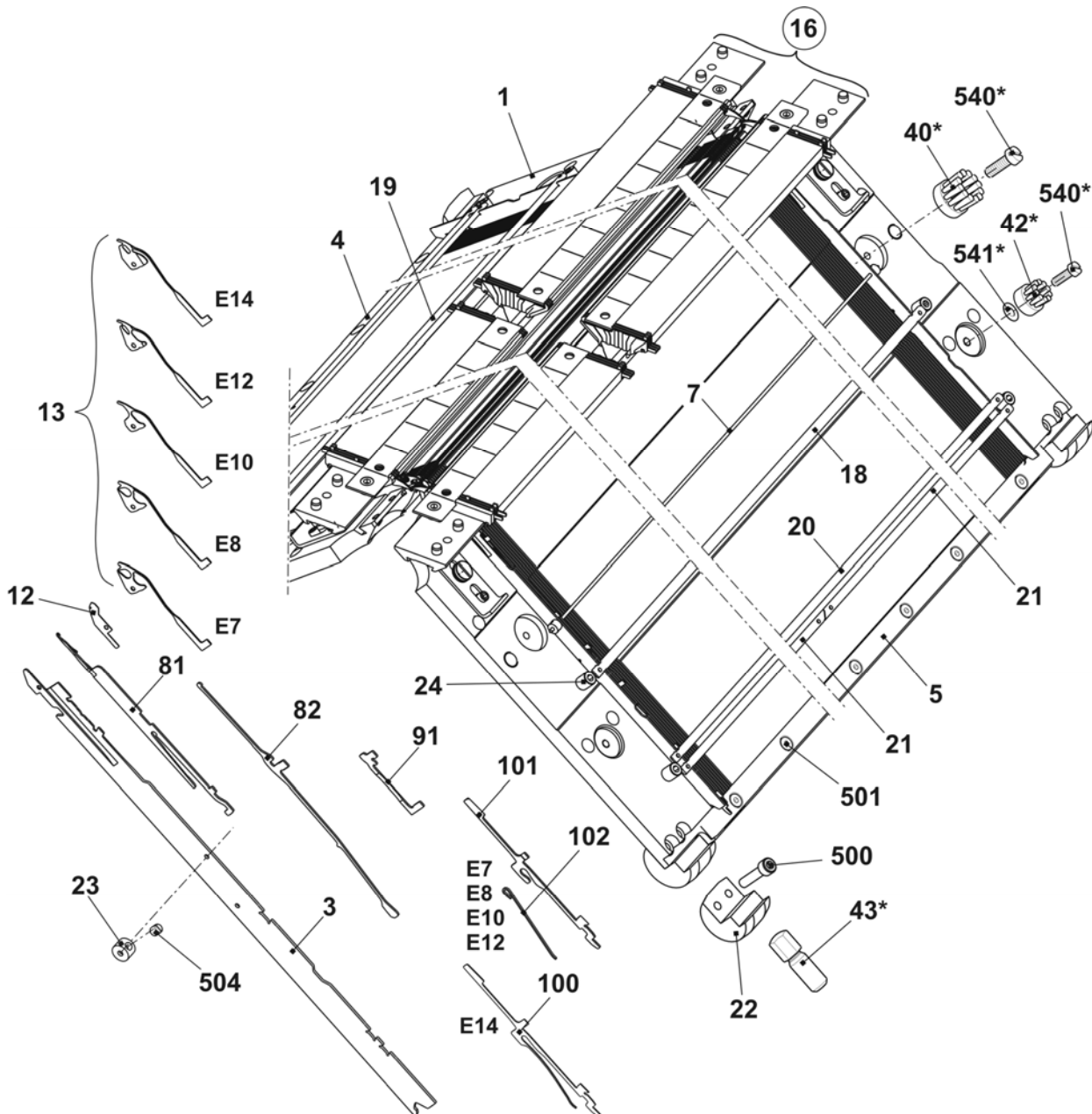
## Additional bed E10

Pos	Designation	ID	Pos	Designation	ID
<b>Σ</b>	<b>Additional bed co. E10</b>	<b>243 215</b>			
1	Transfer cam selection bottom E10	230 692	6	Needle rail on the left	229 263
2	Transfer cam selection top E10	230 691	7	Needle rail on the right	229 264
3	Additional bed at the front and rear on the left E10	243 185	8	Spring steel wire Ø2.0	229 993
4	Additional bed at the front and rear on the right E10	243 190	500	Srew M5x6	235 871
5	Cover rail	229 249	501	U-washer	020 880



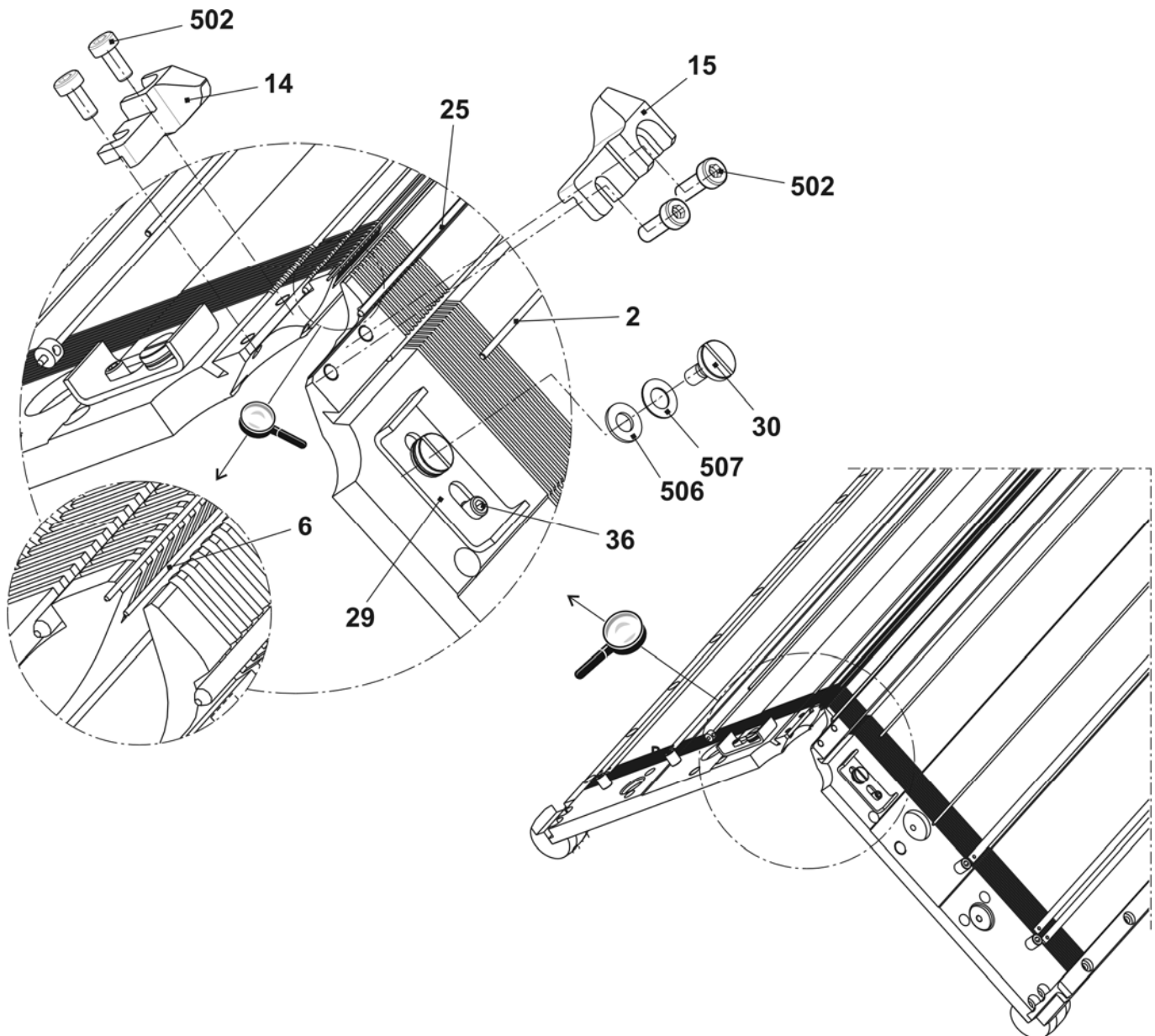
## Needle bed E12

Pos	Designation	ID	Pos	Designation	ID
<b>Σ</b>	<b>Needle bed co. at the front and rear E12</b>	<b>243 242</b>			
1	Needle bed at the front + rear E12	227 426	19	Cover rail at the front E12	214 037
3	Main trick wall E12	231 771	20	Cover rail	213 762
4	Pressure bar at the front E5-14	219 536	21	Cover rail	213 763
5	Pressure bar at the rear E5-14	219 537	22	Support	241 339
7	Spring steel wire ø2.0 mm	213 996	23	Bush	206 090
81	Needle E12	204 009	24	Stop screw	214 039
82	Coupling part E10-12	200 683	500	Cap screw M6x14	022 658
91	Intermediate slider with brake E10-12	237 324	501	Cap screw M5x8	023 379
101	Selection jack E10-12	200 688	504	Set screw M3.5x3	020 512
102	Selector spring E10-12	200 691	40*	Disk brush	235 612
12	Knock-over bit E12	219 281	42*	Disk brush	202 600
13	Holding-down jack trick wall E12	227 106	43*	Adjusting bolt	206 348
16	Additional bed co. E12	243 216	540*	Cap screw M5x12	020 032
18	Cover rail at the rear	213 981	541*	Adjusting washer P6x0.3	023 540



## Continuation needle bed E12

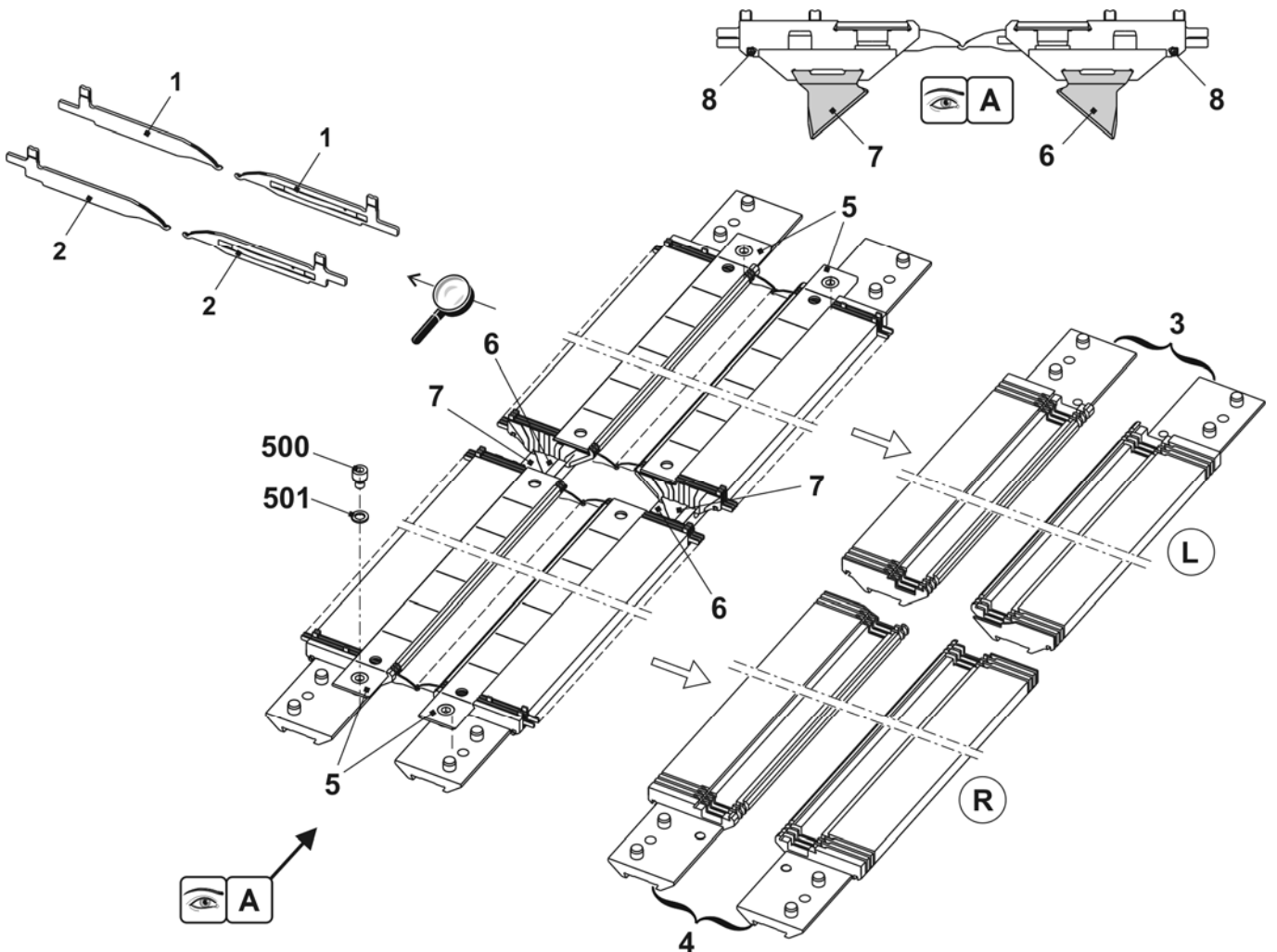
Pos	Designation	ID	Pos	Designation	ID
2	Fixed wire $\varnothing 3.4$ mm	213 995	30	Shoulder screw	219 958
6	Spring steel wire $\varnothing 0.6$ mm, E10-14	213 990	36	Eccentric	231 069
14	Limiters on the right E10-14	243 202	502	Cap screw M5x10	022 918
15	Limiters on the left E10-14	243 201	506	Adjusting washer 6x12x1	023 444
25	Spring steel wire $\varnothing 1.95$ mm	213 997	507	Spring washer B6-FST	023 493
29	Safety plate	219 955			





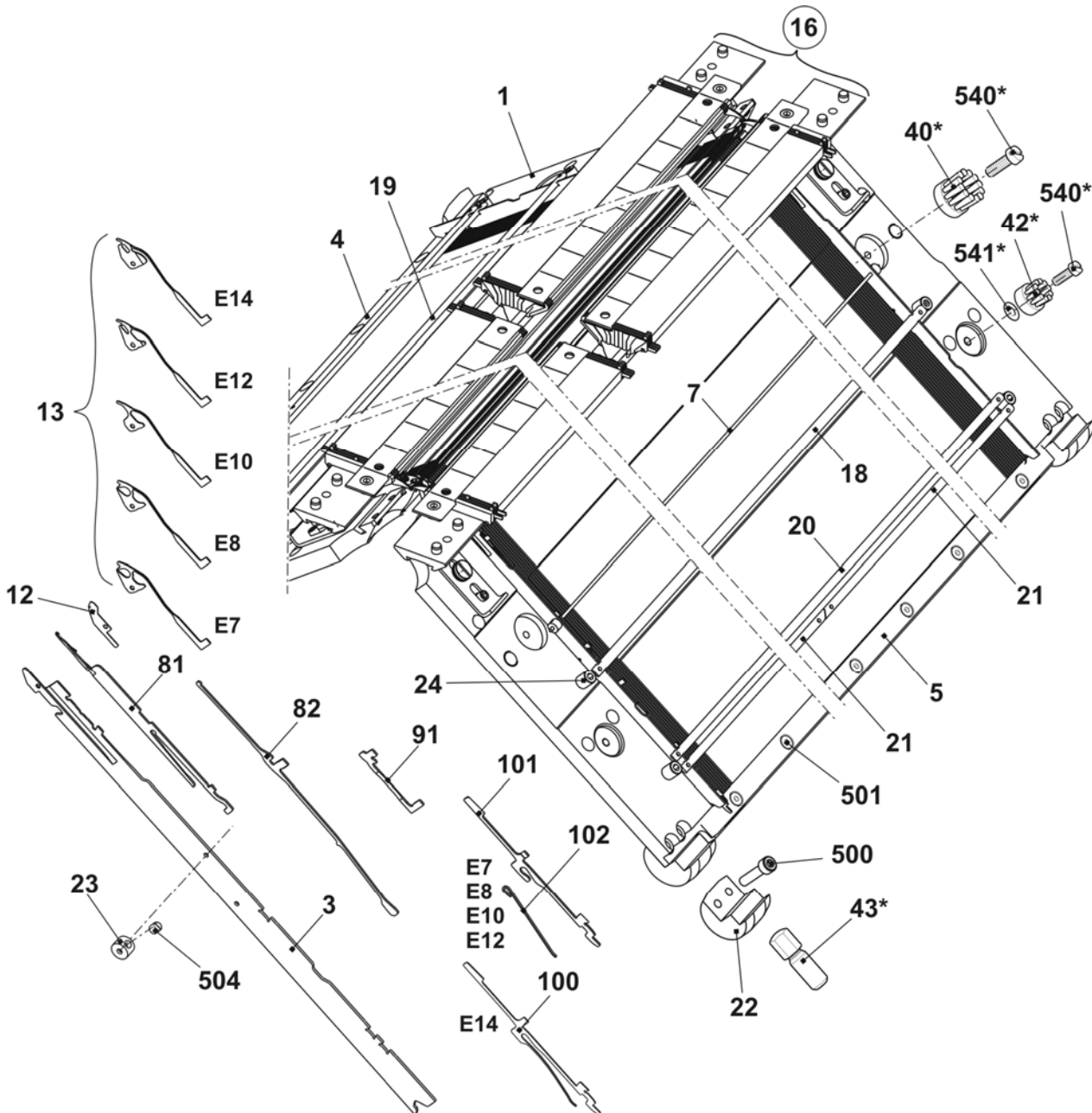
## Additional bed E12

Pos	Designation	ID	Pos	Designation	ID
<b>Σ</b>	<b>Additional bed co. E12</b>	<b>243 216</b>			
1	Transfer cam selection bottom E12-14	230 234	6	Needle rail on the left	229 263
2	Transfer cam selection top E12-14	230 233	7	Needle rail on the right	229 264
3	Additional bed at the front and rear on the left E12	243 186	8	Spring steel wire Ø2.0	229 993
4	Additional bed at the front and rear on the right E12	243 191	500	Srew M5x6	235 871
5	Cover rail	229 249	501	U-washer	020 880



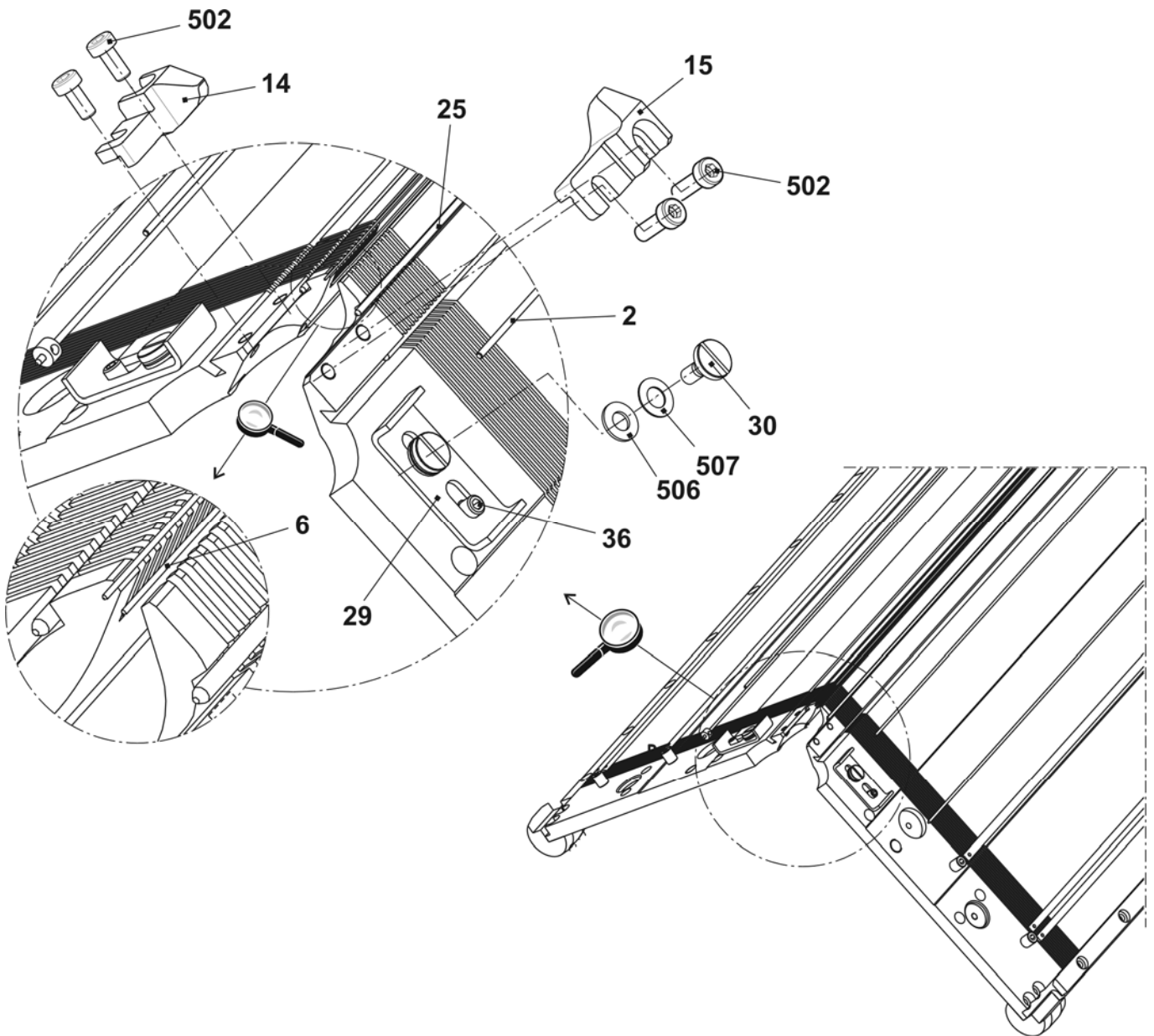
# Needle bed E14

Pos	Designation	ID	Pos	Designation	ID
<b>Σ</b>	<b>Needle bed co. at the front and rear E14</b>	<b>243 243</b>	19	Cover rail at the front E14	214 038
1	Needle bed at the front + rear E14	227 427	20	Cover rail	213 762
3	Main trick wall E14	231 772	21	Cover rail	213 763
4	Pressure bar at the front E5-14	219 536	22	Support	241 339
5	Pressure bar at the rear E5-14	219 537	23	Bush	206 090
7	Spring steel wire ø2.0 mm	213 996	24	Stop screw	214 039
81	Needle E14	209 614	500	Cap screw M6x14	022 658
82	Coupling part E14	209 633	501	Cap screw M5x8	023 379
91	Intermediate slider with brake E14	237 373	504	Set screw M3.5x3	020 512
100	Selection jack with spring E14	224 725	40*	Disk brush	235 612
12	Knock-over bit E14	219 365	42*	Disk brush	202 600
13	Holding-down jack trick wall E14	227 575	43*	Adjusting bolt	206 348
16	Additional bed co. E14	243 217	540*	Cap screw M5x12	020 032
18	Cover rail at the rear	213 981	541*	Adjusting washer P6x0.3	023 540



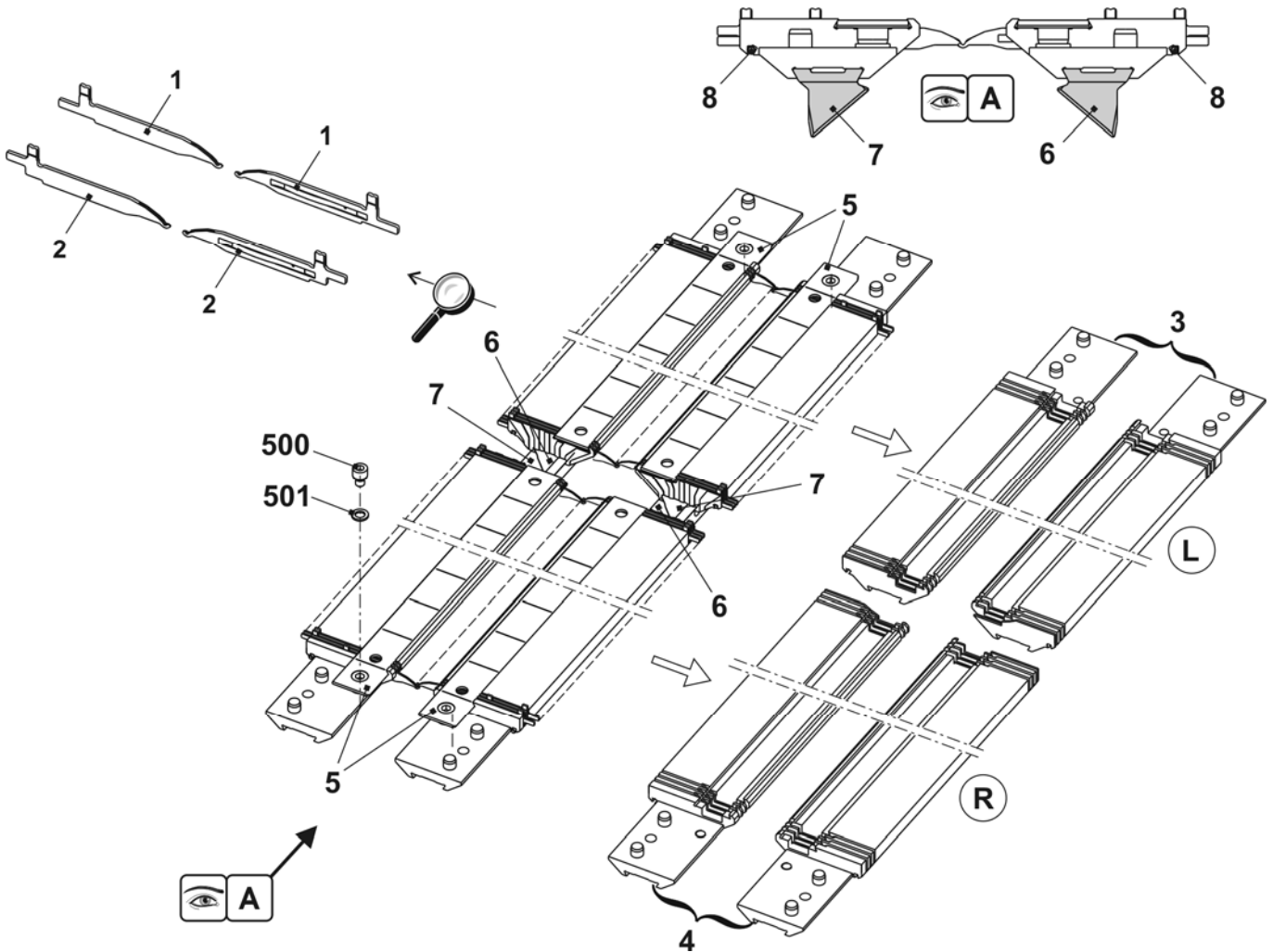
## Continuation needle bed E14

Pos	Designation	ID	Pos	Designation	ID
2	Fixed wire $\varnothing 3.4$ mm	213 995	30	Shoulder screw	219 958
6	Spring steel wire $\varnothing 0.6$ mm, E10-14	213 990	36	Eccentric	231 069
14	Limiters on the right E10-14	243 202	502	Cap screw M5x10	022 918
15	Limiters on the left E10-14	243 201	506	Adjusting washer 6x12x1	023 444
25	Spring steel wire $\varnothing 1.95$ mm	213 997	507	Spring washer B6-FST	023 493
29	Safety plate	219 955			



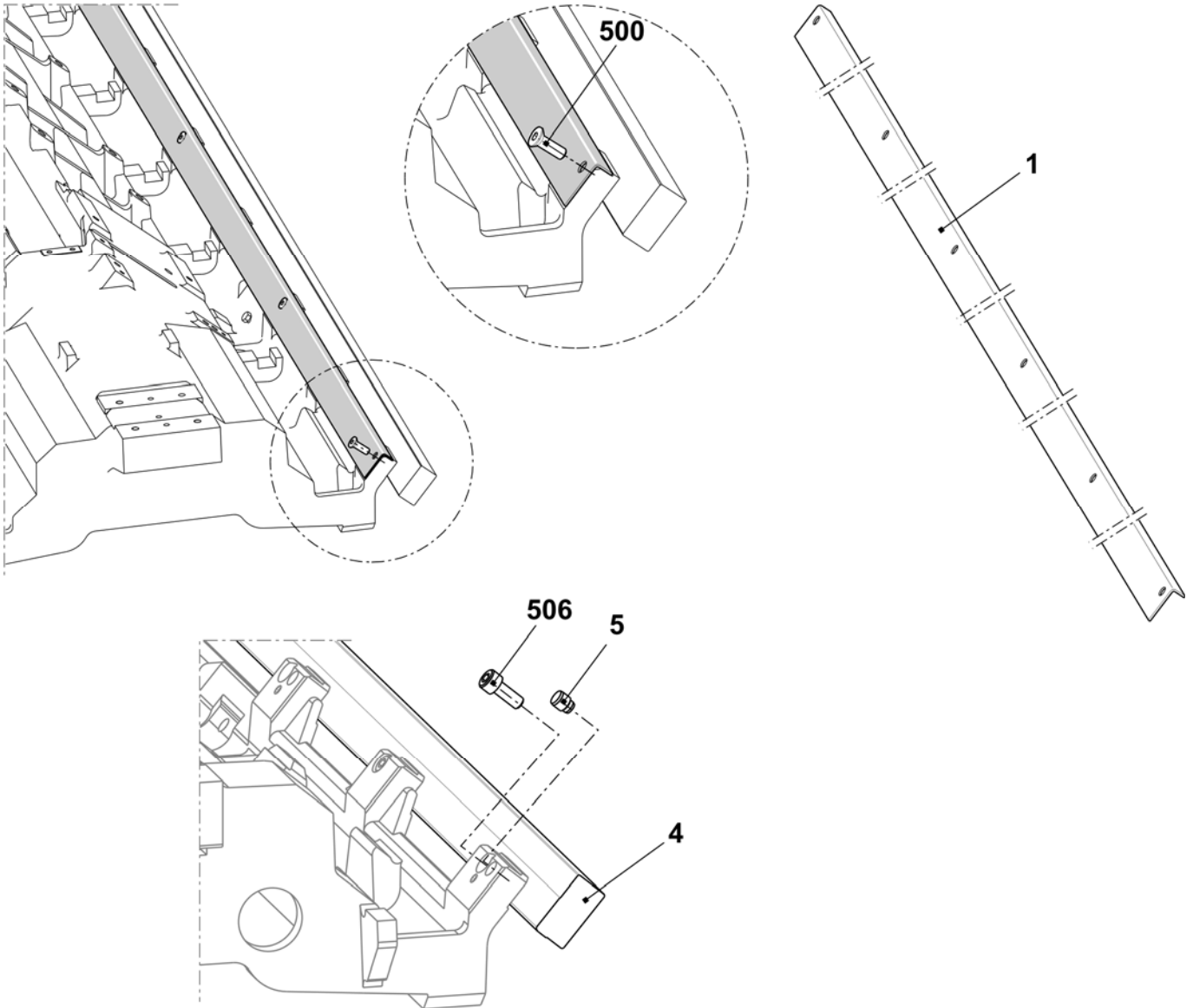
## Additional bed E14

Pos	Designation	ID	Pos	Designation	ID
<b>Σ</b>	<b>Additional bed co. E14</b>	<b>243 217</b>			
1	Transfer cam selection bottom E12-14	230 234	6	Needle rail on the left	229 263
2	Transfer cam selection top E12-14	230 233	7	Needle rail on the right	229 264
3	Additional bed at the front and rear on the left E14	243 187	8	Spring steel wire Ø2.0	243 224
4	Additional bed at the front and rear on the right E14	243 192	500	Srew M5x6	235 871
5	Cover rail	229 249	501	U-washer	020 880



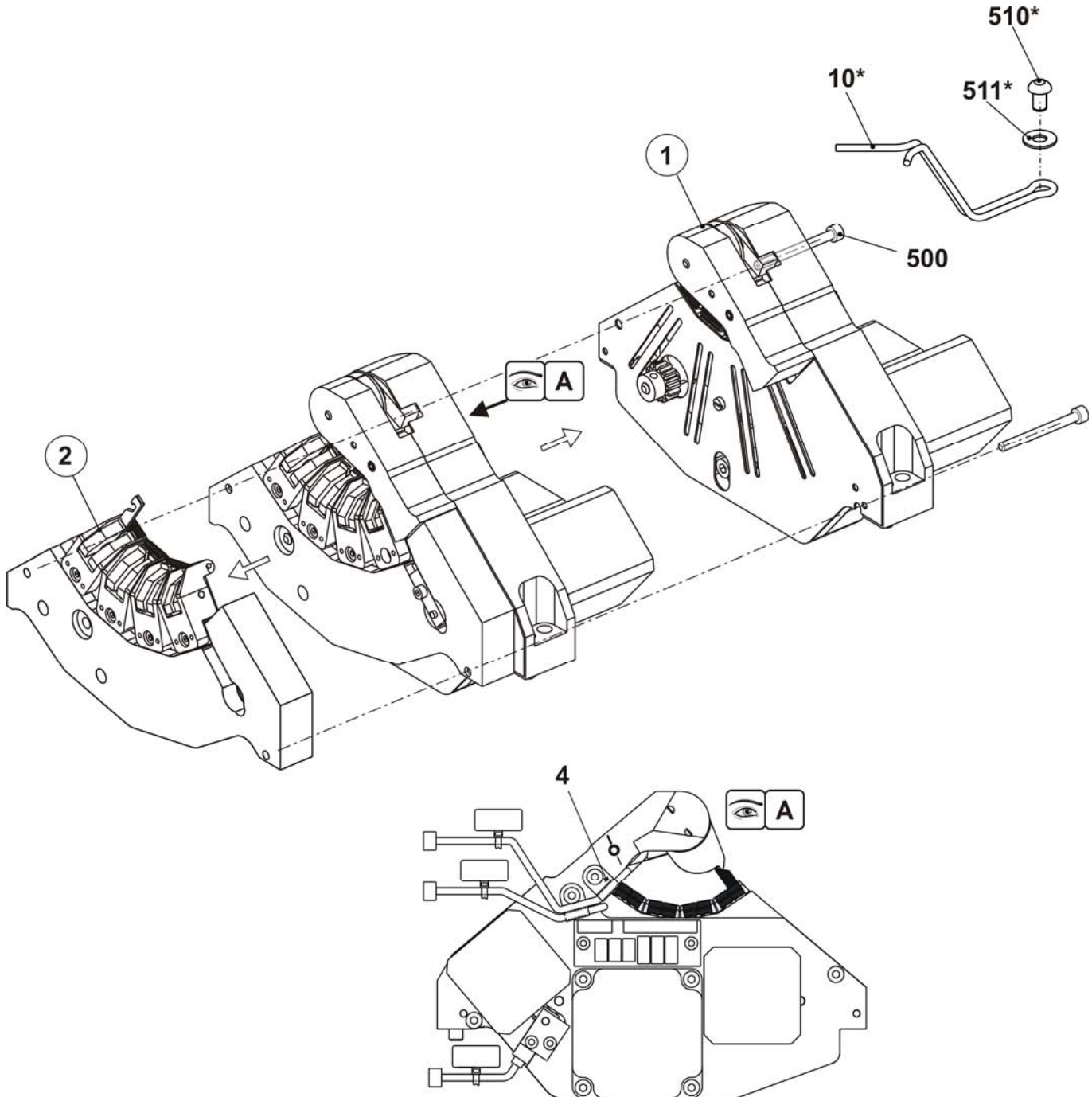
## Cover and carriage guide bar

Pos	Designation	ID	Pos	Designation	ID
1	Cover	251 112	4	Carriage guide bar	241 236
500	Countersunk head screw M4x12	023 062	5	Adjusting bolt	241 218
			506	Cap screw M8X20	020 141



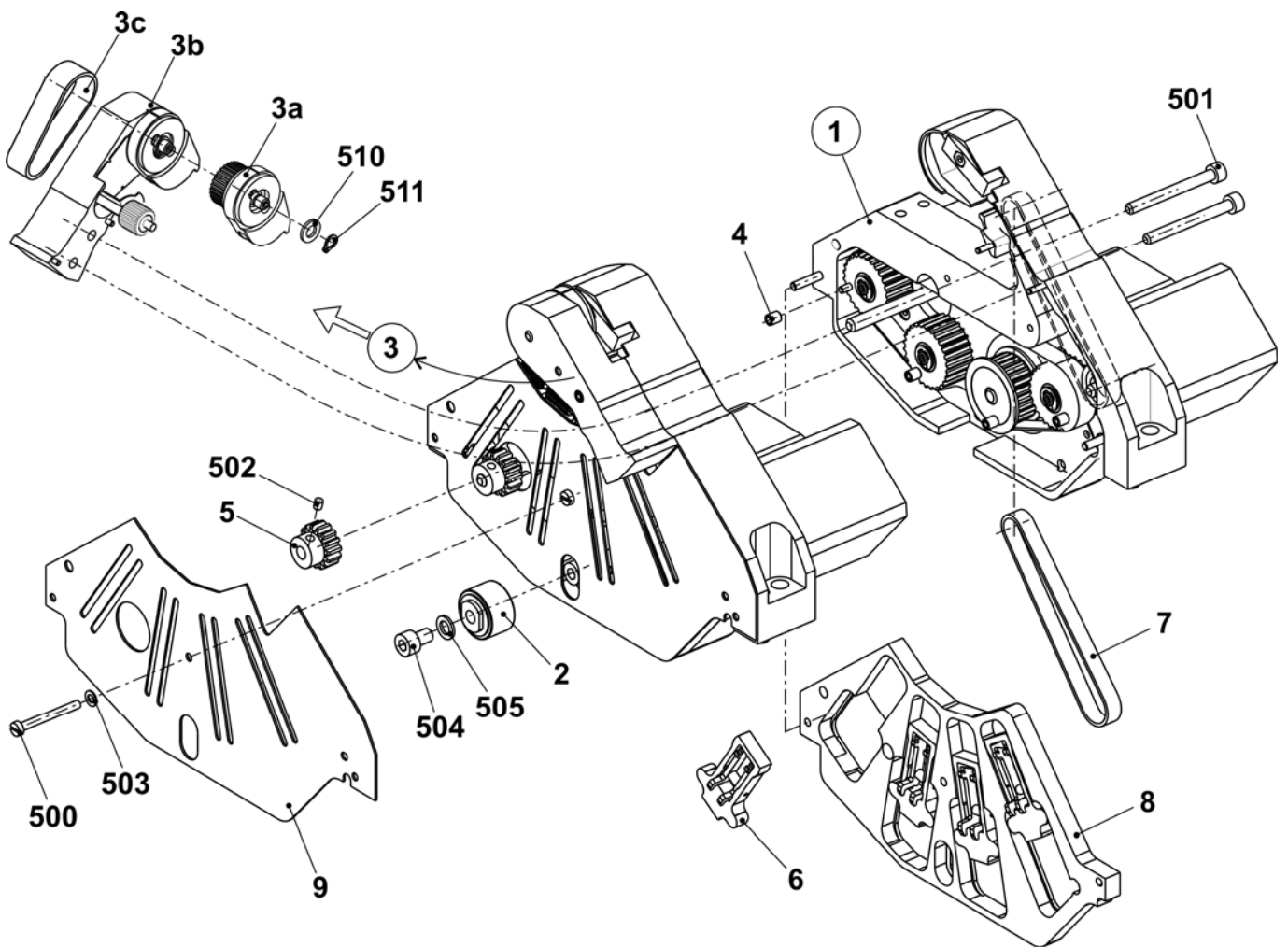
## Clamping/cutting unit

Pos	Designation	ID	Pos	Designation	ID
$\Sigma$	<b>Clamping/cutting co.</b>	<b>214 257</b>	10*	Bow	231 795
1	Crankcase co.	214 188	500	Cap screw M4x45	023 419
2	Selection housing co.	214 256	510*	Countersunk screw M6x10	023 183
4	Cable clip 225/3.2	008 321	511*	Washer 6.4x15x1	020 902



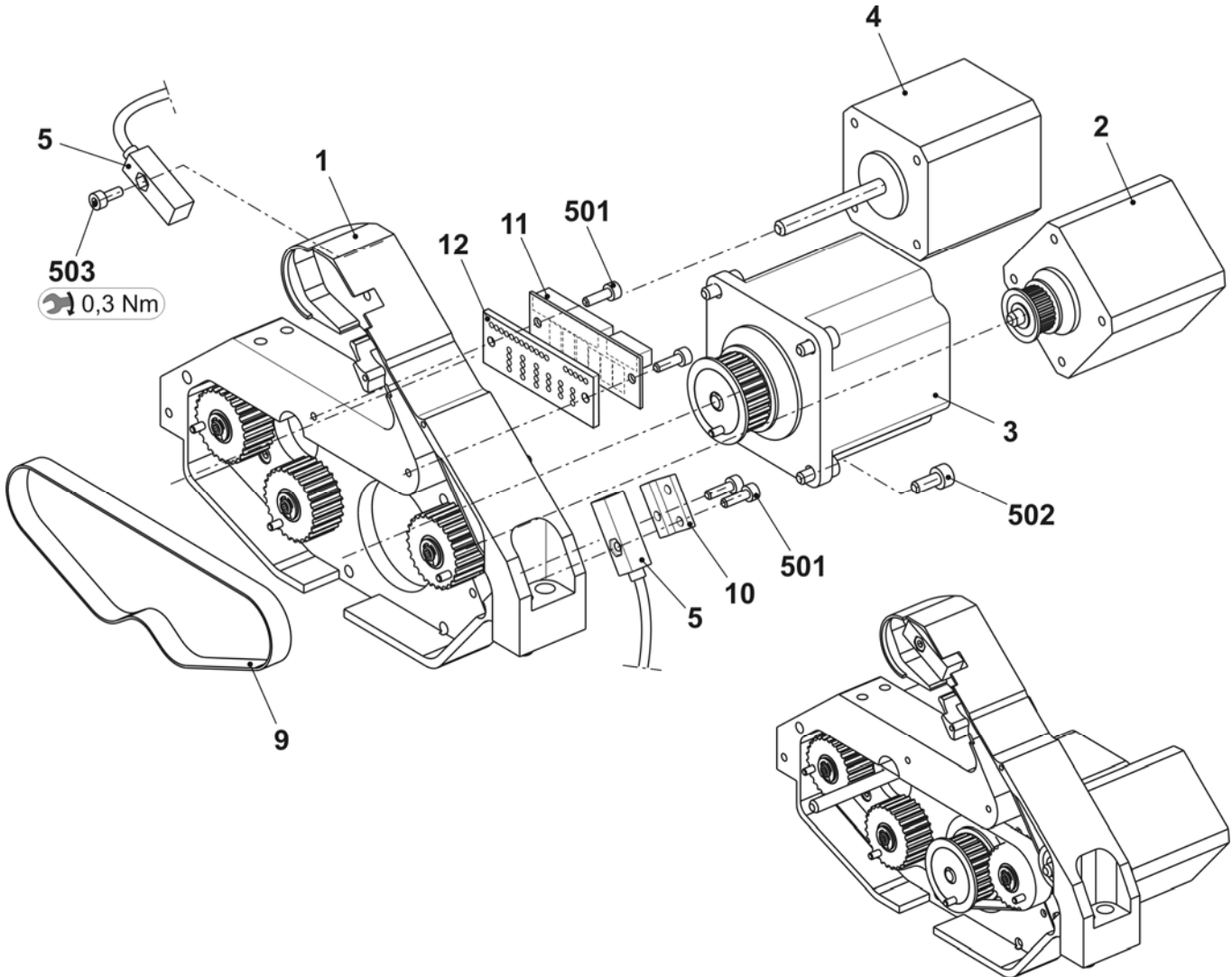
## Crankcase

Pos	Designation	ID	Pos	Designation	ID	
<b>Σ</b>	<b>Crankcase co.</b>	<b>214 188</b>				
1	Crankcase	215 078	6	Connecting rod slide co.	214 191	
2	Tension roller co.	221 211	7	Toothed belt 6M182	213 890	
3	Finger support co.	235 501	8	Guide plate	214 185	
	3a	Transport segment co.	235 500	9	Intermediate plate	214 704
	3b	Finger support	234 993	500	Cap screw M3x28	022 350
	3c	Toothed belt 6M111	213 889	501	Cap screw M4x40	023 095
	510	U-washer A5.3	020 871	502	Grub screw M3x4-45H	022 674
	511	Locking ring 5x0.6	023 347	503	U-washer 3.2	020 877
4	Sleeve	214 240	504	Cap screw M5x8	023 319	
5	Spur gear	213 893	505	U-washer 5.3	020 880	



## Crankcase with drive

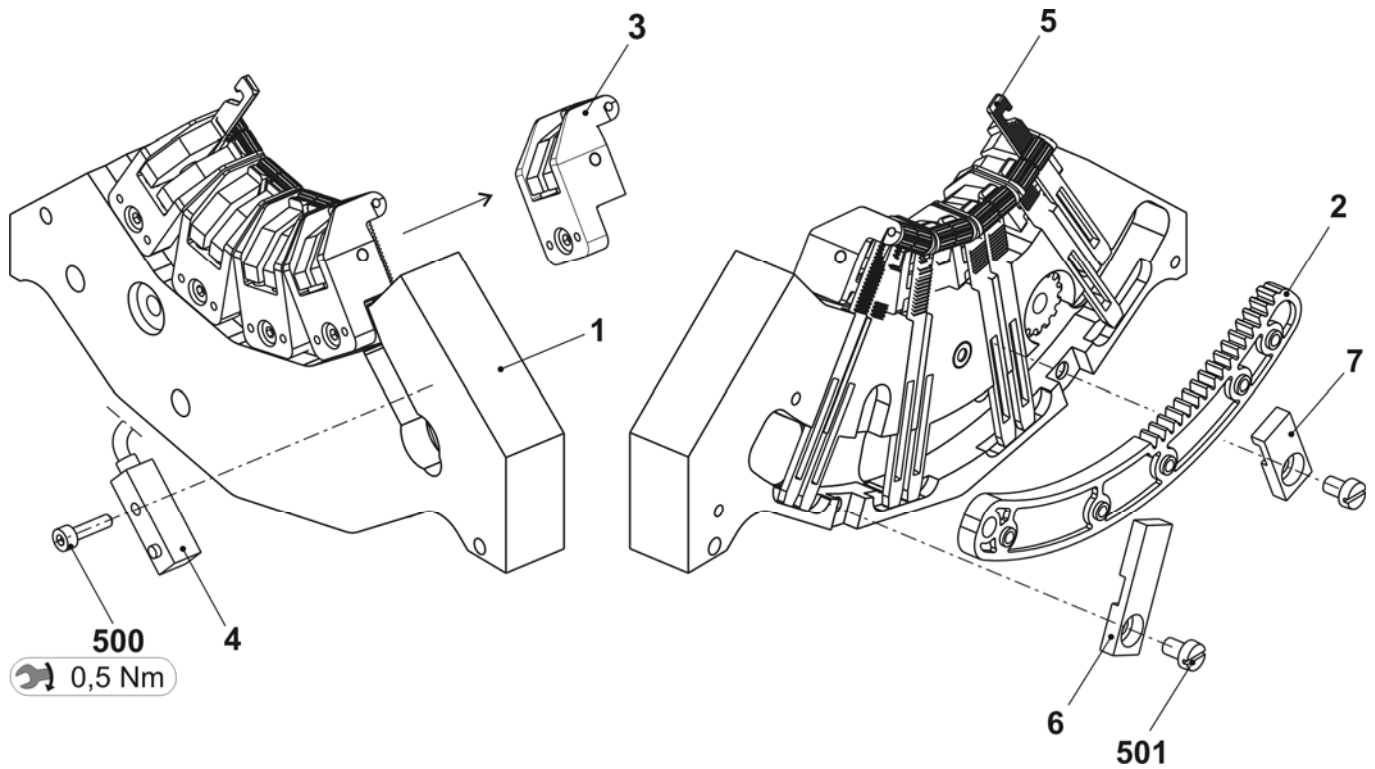
Pos	Designation	ID	Pos	Designation	ID
<b>Σ</b>	<b>Crankcase</b>	<b>215 078</b>			
1	Crankcase	214 182	10	Sensor switch	213 721
2	Transport segment motor co.	213 815	11	Connector board	222 822
3	Step motor co.	213 819	12	Insulating plate	222 933
4	Step motor PK245	213 732	501	Cap screw M3x10	022 991
5	Proximity switch inductive	222 821	502	Cap screw M4x10	023 136
9	Toothed belt 80S3M300NG	213 891	503	Cap screw M3x8	022 582



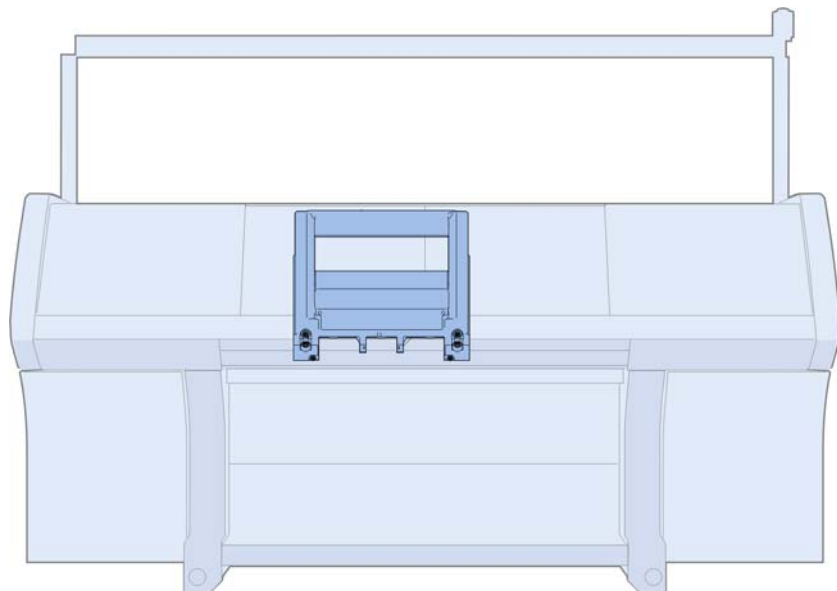


## Selection housing

Pos	Designation	ID	Pos	Designation	ID
<b>Σ</b>	<b>Selection housing co.</b>	<b>214 256</b>			
1	Selection housing	214 288	6	Bridge on the left	224 698
2	Selection slide	227 073	7	Bridge on the right	224 701
3	Blade holder co.	251 720	500	Cap screw M3x12	022 648
4	Approximate switch inductive	222 821	501	Cap screw M4x6	020 019
5	Clamping/cutting needle	216 408			

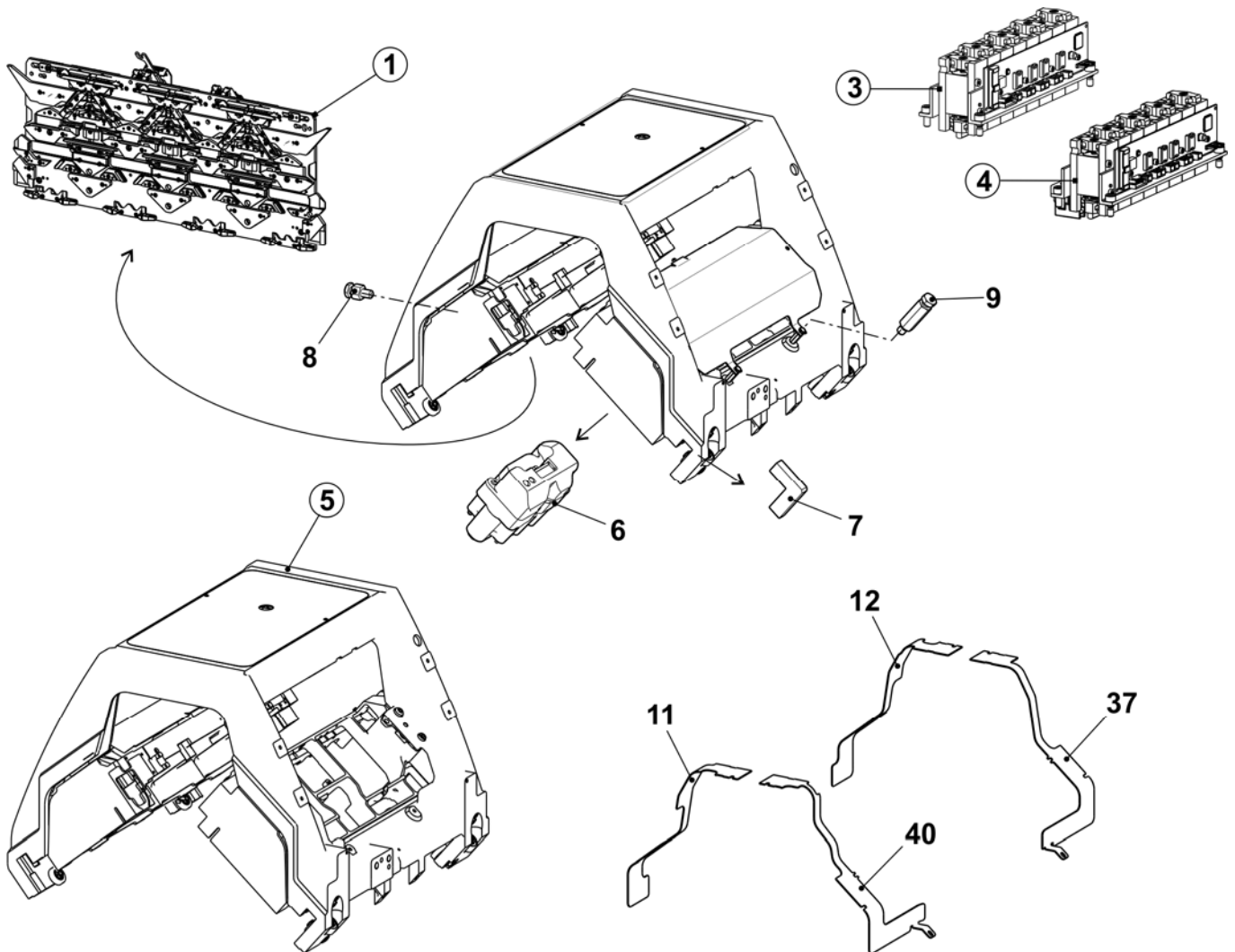


# Carriage



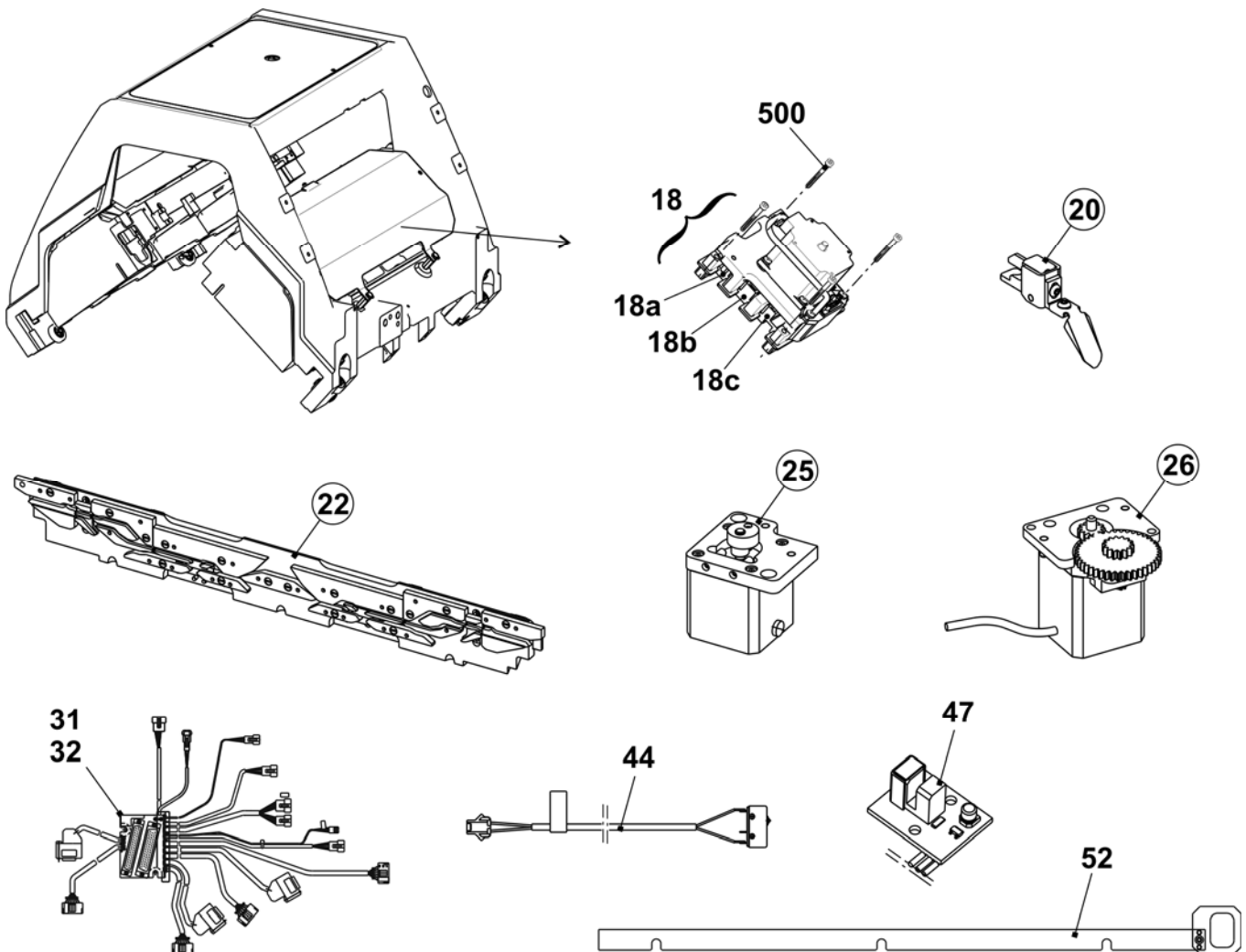
## Overview of carriage

Pos	Designation	ID	Pos	Designation	ID
<b>Σ</b>	<b>Carriage 3 cam boxes co.</b>				
	E7-8	<b>250 106</b>	4	YC driving in the middle co.	241 081
	E10	<b>250 107</b>	5	Carriage assembly 3 cam boxes co.	243 421
	E12	<b>245 272</b>	6	Selection system co.	216 218
	E14	<b>244 020</b>		Selection system co. E10-12	216 219
				Selection system co. E14	229 300
1	Cam box		7	Wiper (felt)	241 411
	Cam box co. E7-8	244 455	8	Bolt	212 392
	Cam box at the front co. E10	244 686	9	Bolt	243 171
	Cam box at the rear co. E10	244 687	11	Cover plate on the right	250 275
	Cam box at the front co. E12	244 639	12	Cover plate on the left	250 274
	Cam box at the rear co. E12	244 640	37	Guide plate at the rear on the left	245 323
	Cam box co. E14	244 022	40	Guide plate at the rear on the right	245 324
3	YC driving outside co.	241 080			



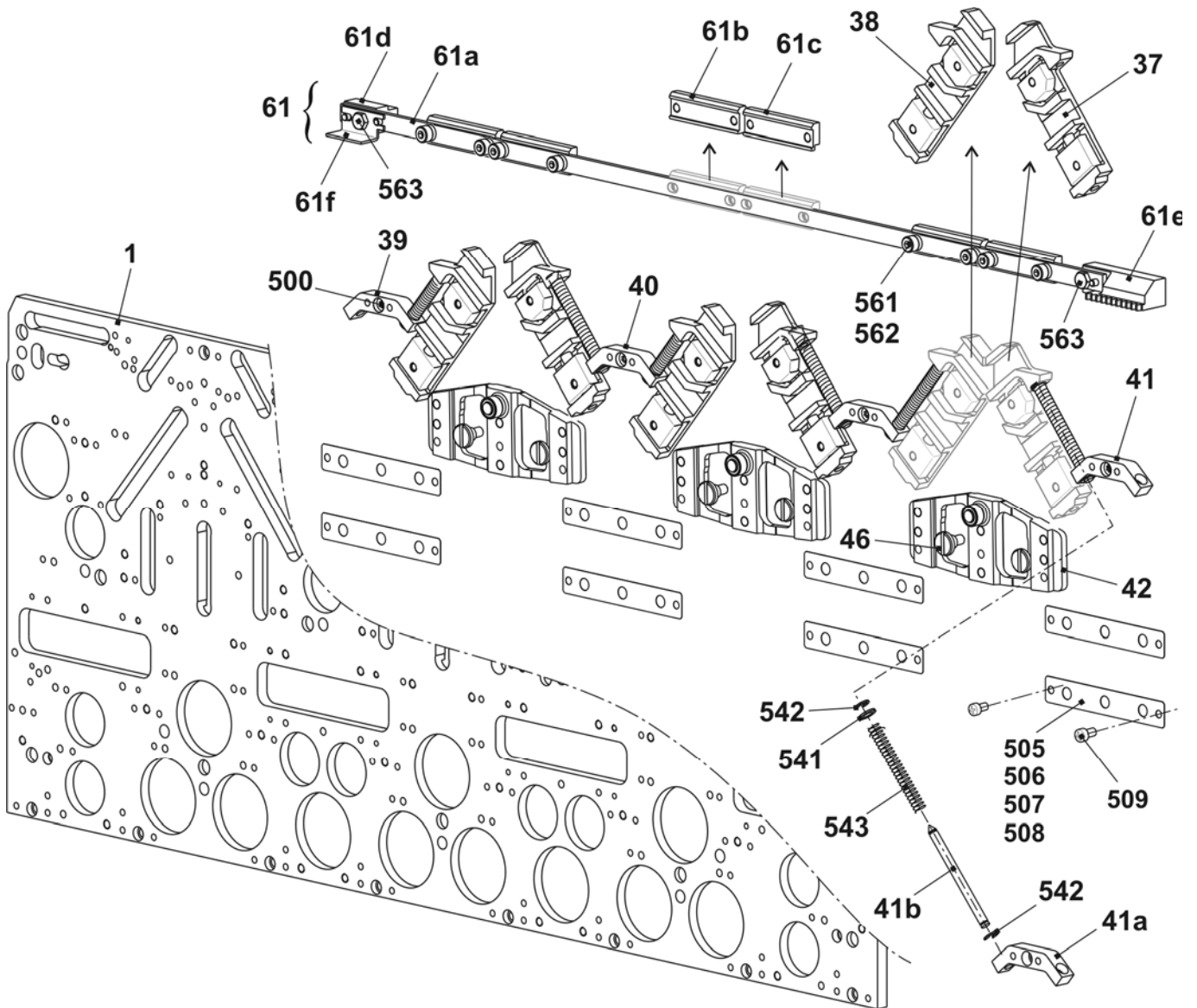
## Overview of carriage, continuation

Pos	Designation	ID	Pos	Designation	ID
<b>Σ</b>	<b>Carriage 3 cam boxes co.</b>		22	Additional cam box co. E7-8	224 856
	E7-8	<b>250 106</b>		Additional cam box co. E10-14	224 857
	E10	<b>250 107</b>	25	Control unit brush	224 631
	E12	<b>245 272</b>	26	Control unit Holding-down jack	223 380
	E14	<b>244 020</b>	31	Distributor at the front 730T okc	243 276
18	Motor unit co.	219 999	32	Distributor at the rear 730T okc	243 275
	18a Gear rack at the top	209 781	44	Cable of needle detector co.	224 655
	18b Gear rack in the middle	209 782	47	Card photoelectric sensor NP	225 087
	18c Gear rack at the bottom	209 783	52	Sliding rod co.	225 753
20	Needle detector co.	226 969	500	Screw M4x30	023 290



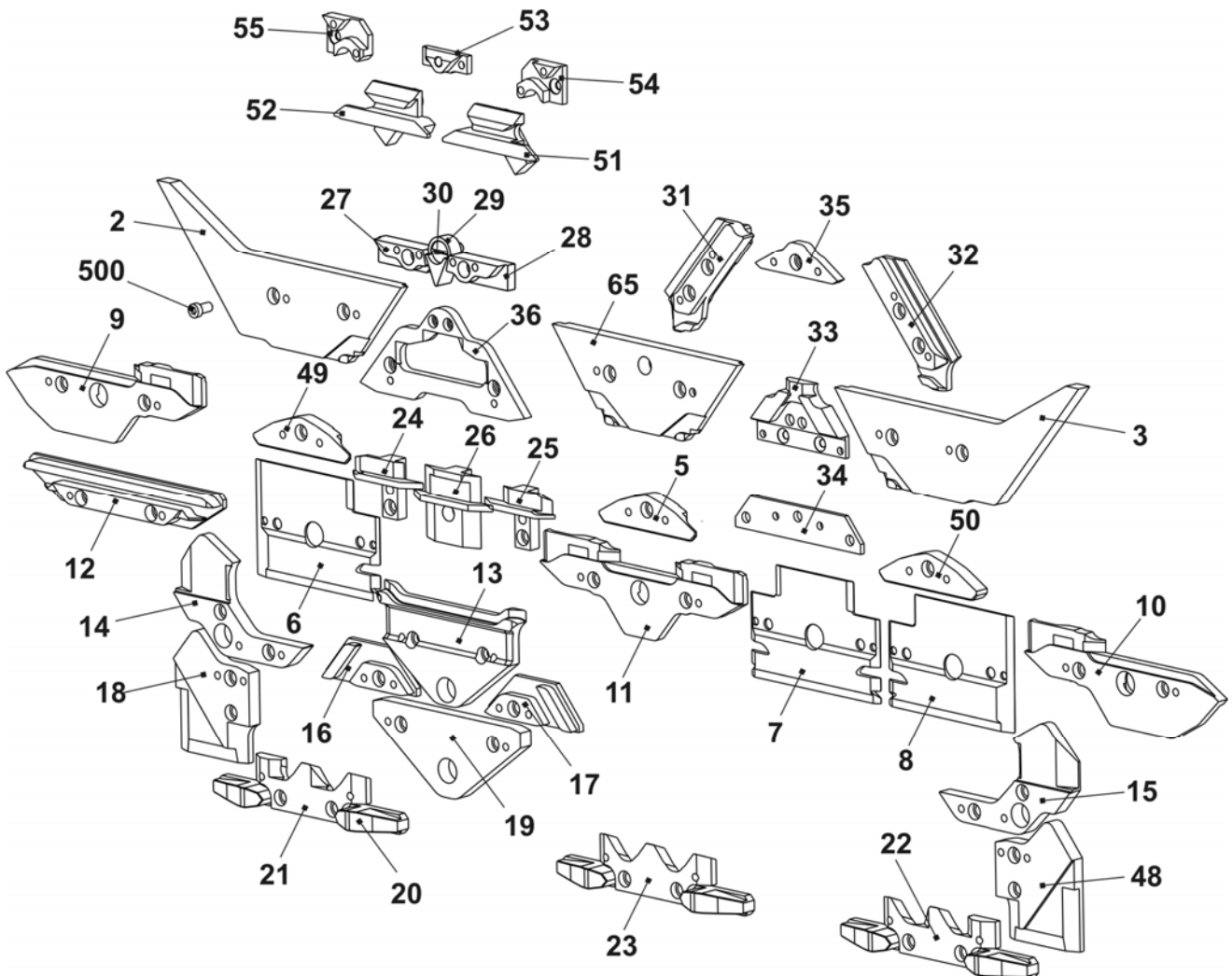
## Cam part E7-8 (Top side)

Pos	Designation	ID	Pos	Designation	ID
$\Sigma$	<b>Cam box co. E7-8</b>	<b>244 455</b>	61	Control slide co.	219 998
1	Cam plate	242 337	61a	Control slide	219 914
37	Stitch forming cam on the right co. E5-10	219 992	61b	Control part on the left	228 825
38	Stitch forming cam on the left co. E5-10	219 991	61c	Control part on the right	228 826
39	Rod guide element on the left	211 165	61d	Guiding part on the left E5-14	219 650
40	Rod guide element in the middle	211 166	61e	Guiding part on the right	222 857
41	Rod guide element on the right	211 168	61f	Switch strip	225 115
41a	Rod guidance part	209 792	561	Cap screw M4x8	022 501
41b	Spring rod	209 791	562	U-washer 4.3x7x2.0	023 597
541	Disc 4.3x7x0.5	022 153	563	Hexagonal nut M4x8	022 461
542	Circlip 3.2	021 019	505	Shim 0.03x12x75	022 828
543	Spring	023 344	506	Shim 0.05x12x75	022 829
42	Switching piece	240 281	507	Shim 0.1x12x75	022 830
46	Shoulder screw	239 626	508	Shim 0.2x12x75	022 831
			509	Countersunk screw M3x4	023 142



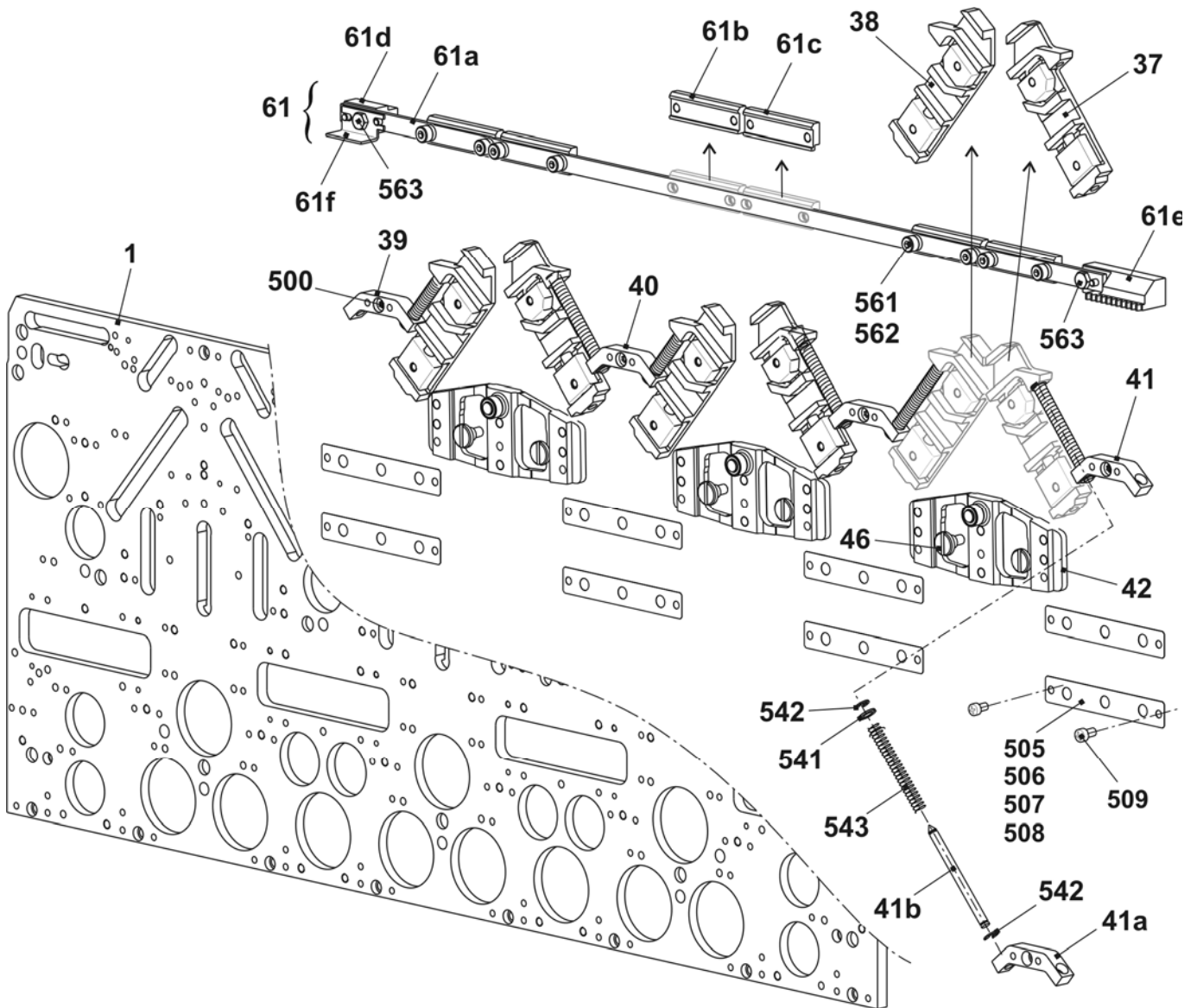
### Cam parts E7-8 (Lower side)

Pos	Designation	ID	Pos	Designation	ID
$\Sigma$	<b>Cam box co. E7-8</b>	<b>244 455</b>	25	Pressure part take-over on the right	239 849
2	Entry cam on the left	228 622	26	Tuck pressure part	239 621
3	Entry cam on the right	228 663	27	Limit cam on the left E7-8	219 929
5	Entry cam at the bottom E5-8	212 395	28	Limit cam on the right E7-8	219 930
6	Plate on the left	230 988	29	Pointer E5-8	218 648
7	Plate in the middle	231 035	30	Screw	210 335
8	Plate on the right	231 036	31	Stitch cam on the left E7-8	210 324
9	Cam on the left	231 039	32	Stitch cam on the right E7-8	210 323
10	Cam on the right	231 041	33	Tuck limit cam E7-8	255 056
11	Cam in the middle	231 040	34	Raising cam plate E4-12	204 372
12	Cam	227 923	35	Receiving cam E7-8	210 339
13	Cam	210 254	36	Raising cam without split E7-8	255 055
14	Cam on the left E5-14	212 265		Raising cam part for split E7-8 (Access.)	255 192
15	Cam on the right E5-14	212 266	48	Cam on the right E5-14	212 275
16	Cam on the left	236 192	49	Entry cam on the left E5-8	213 161
17	Cam on the right	236 193	50	Entry cam on the right E5-8	213 162
18	Cam on the left E5-14	212 274	51	Jack slider at the right	227 270
19	Cam	210 252	52	Jack slider at the left	227 269
20	Offering cam	210 185	53	Jack opener	219 434
21	Selector cam on the left	212 944	54	Floating cam on the right E7-8	227 274
22	Selector cam on the right	212 947	55	Floating cam on the left E7-8	227 273
23	Selector cam	212 946	65	Entry cam at the top	210 285
24	Pressure part take-over on the left	239 848	500	Cap screw M4x8	020 091



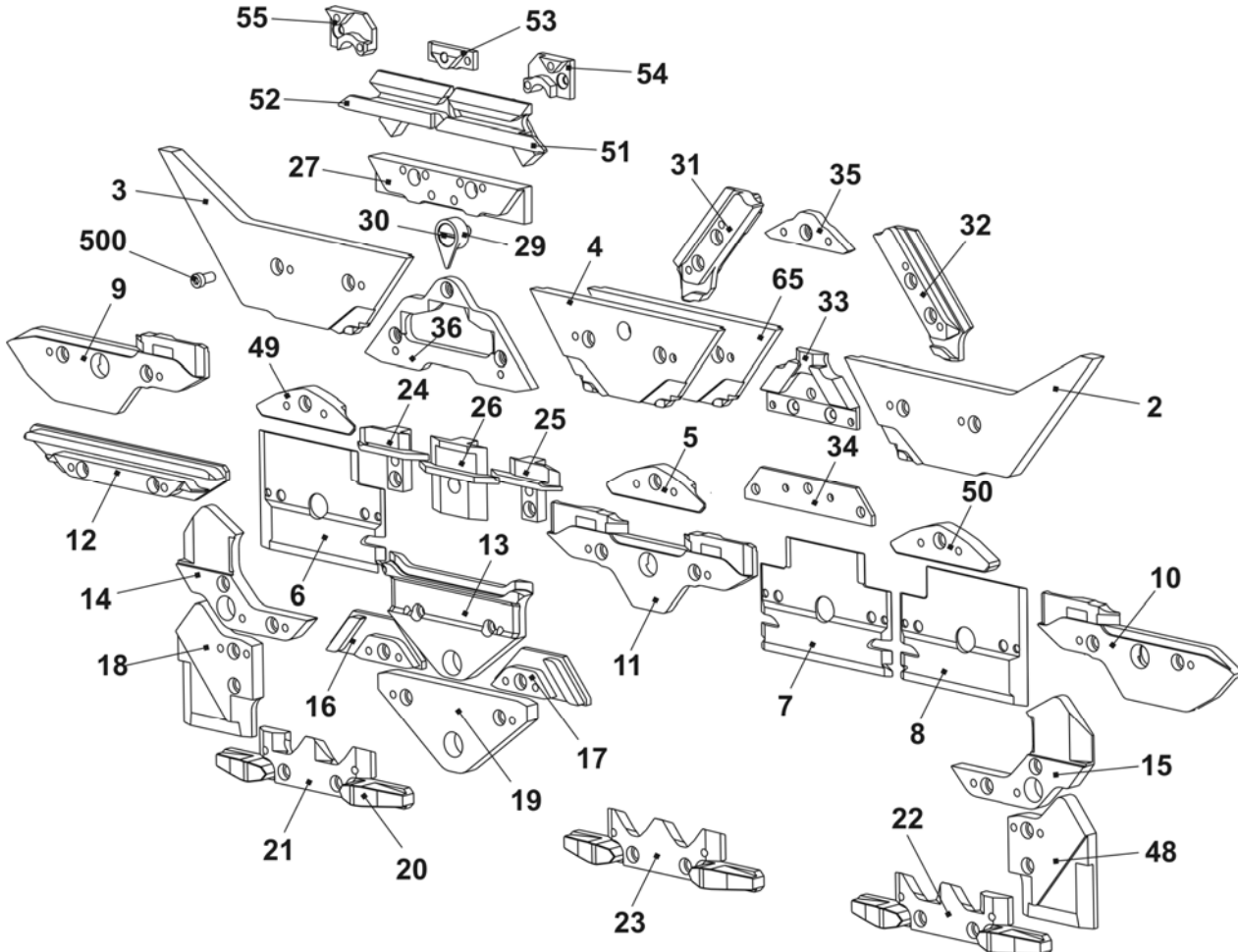
## Cam parts E10 (Top side)

Pos	Designation	ID	Pos	Designation	ID
$\Sigma$	<b>Cam box at the front co. E10</b>	<b>244 686</b>	61	Control slide co.	219 998
	<b>Cam box at the rear co. E10</b>	<b>244 687</b>	61a	Control slide	219 914
1	Cam plate	242 337	61b	Control part on the left	228 825
37	Stitch forming cam on the right co. E5-10	219 992	61c	Control part on the right	228 826
38	Stitch forming cam on the left co. E5-10	219 991	61d	Guiding part on the left E5-14	219 650
39	Rod guide element on the left	211 165	61e	Guiding part on the right	222 857
40	Rod guide element in the middle	211 166	61f	Switch strip	225 115
41	Rod guide element on the right	211 168	561	Cap screw M4x8	022 501
41a	Rod guidance part	209 792	562	U-washer 4.3x7x2.0	023 597
41b	Spring rod	209 791	563	Hexagonal nut M4x8	022 461
541	Disc 4.3x7x0.5	022 153	505	Shim 0.03x12x75	022 828
542	Circlip 3.2	021 019	506	Shim 0.05x12x75	022 829
543	Spring	023 344	507	Shim 0.1x12x75	022 830
42	Switching piece	240 281	508	Shim 0.2x12x75	022 831
46	Shoulder screw	239 626	509	Countersunk screw M3x4	023 142



## Cam parts E10 (Bottom side)

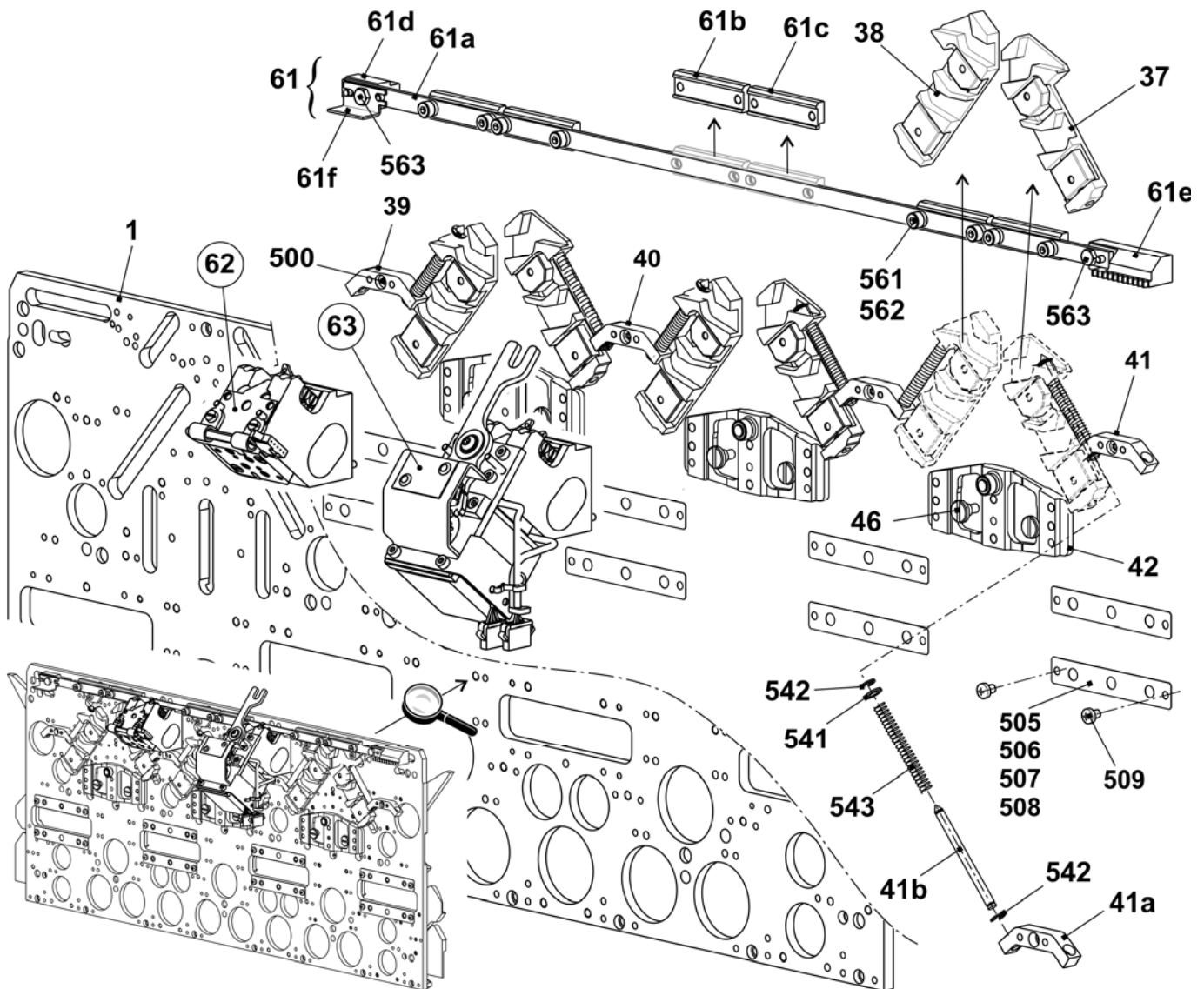
Pos	Designation	ID	Pos	Designation	ID
$\Sigma$	Cam box at the front co. E10	244 686	24	Pressure part take-over on the left	239 848
	Cam box at the rear co. E10	244 687	25	Pressure part take-over on the right	239 849
2	Entry cam on the right pulling	224 767	26	Tuck pressure part	239 621
3	Entry cam on the left pulling	224 766	27	Limit cam E10	219 931
4	Entry cam at the top pulling	224 572	29	Pointer E10-14	210 349
5	Entry cam at the bottom -1.5 E10-14	216 328	30	Screw	210 335
6	Plate on the left	230 988	31	Stitch cam on the left E10-14	236 318
7	Plate in the middle	231 035	32	Stitch cam on the right E10-14 (front)	236 319
8	Plate on the right	231 036		Stitch cam on the right at the rear R/R E10-14	236 320
9	Cam on the left	231 039	33	Tuck limit cam E10	236 345
10	Cam on the right	231 041	34	Raising cam plate E4-12	204 372
11	Cam in the middle	231 040	35	Receiving cam E6.2	218 433
12	Cam	227 923	36	Raising cam part without split E6.2	218 434
13	Cam	210 254		Knitting raising cam with split (Accessories)	222 038
14	Cam on the left E5-14	212 265	48	Cam on the right E5-14	212 275
15	Cam on the right E5-14	212 266	49	Entry cam on the left -1.5 E10-14	216 329
16	Cam on the left	236 192	50	Entry cam on the right -1.5 E10-14	216 330
17	Cam on the right	236 193	51	Jack slider at the right	227 270
18	Cam on the left E5-14	212 274	52	Jack slider at the left	227 269
19	Cam	210 252	53	Jack opener	219 434
20	Offering cam	210 185	54	Floating cam on the right E10	227 276
21	Selector cam on the left	212 944	55	Floating cam on the left E10	227 275
22	Selector cam on the right	212 947	65	Entry cam at the top pulling	225 333
23	Selector cam	212 946	500	Cap screw M4x8	020 091





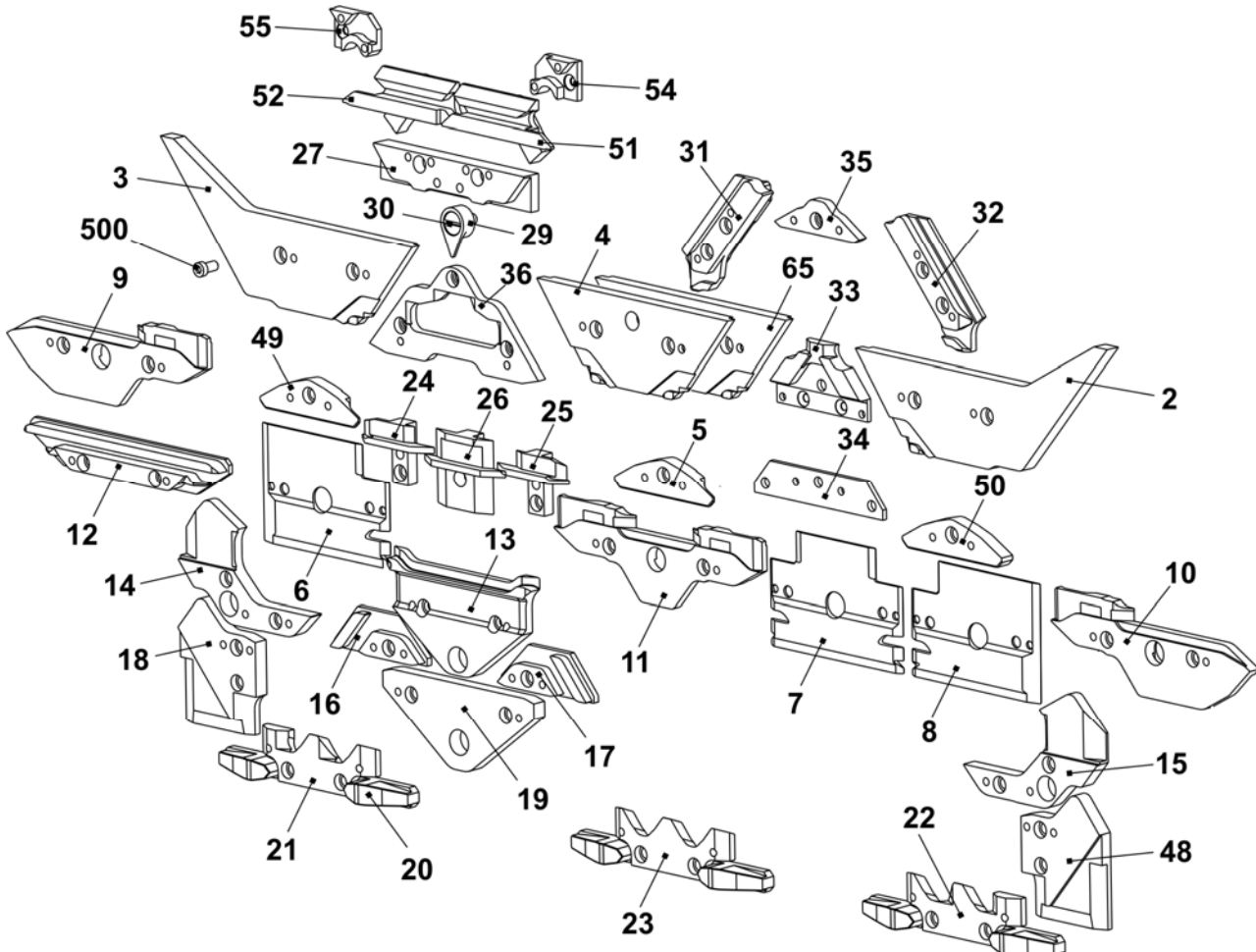
## Cam parts E12 (Top side)

Pos	Designation	ID	Pos	Designation	ID
$\Sigma$	<b>Cam box at the front co. E12</b>	<b>244 639</b>	61	Control slide co.	219 998
	<b>Cam box at the rear co. E12</b>	<b>244 640</b>	61a	Control slide	219 914
1	Cam plate	242 337	61b	Control part on the left	228 825
37	Stitch forming cam on the right co. E12-14	219 994	61c	Control part on the right	228 826
38	Stitch forming cam on the left co. E12-14	219 993	61d	Guiding part on the left E5-14	219 650
39	Rod guide element on the left	211 165	61e	Guiding part on the right	222 857
40	Rod guide element in the middle	211 166	61f	Switch strip	225 115
41	Rod guide element on the right	211 168	561	Cap screw M4x8	022 501
41a	Rod guidance part	209 792	562	U-washer 4.3x7x2.0	023 597
41b	Spring rod	209 791	563	Hexagonal nut M4x8	022 461
541	Disc 4.3x7x0.5	022 153	62	Supporting block on the left co.	219 995
542	Circlip 3.2	021 019	63	Control unit co.	227 285
543	Spring	023 344	505	Shim 0.03x12x75	022 828
42	Switching piece	240 281	506	Shim 0.05x12x75	022 829
46	Shoulder screw	239 626	507	Shim 0.1x12x75	022 830
509	Countersunk screw M3x4	023 142	508	Shim 0.2x12x75	022 831



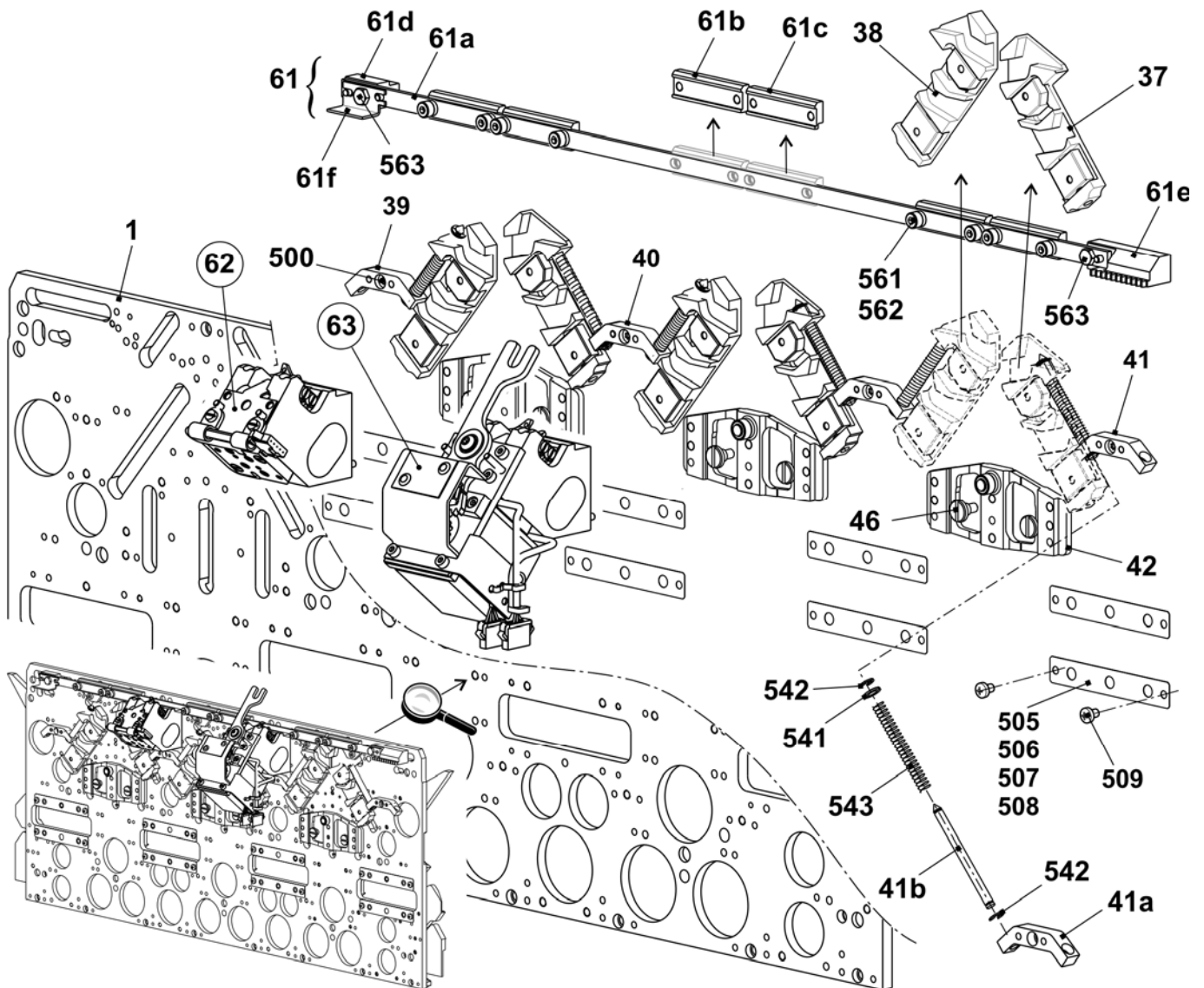
## Cam parts E12 (Bottom side)

Pos	Designation	ID	Pos	Designation	ID
$\Sigma$	Cam box at the front co. E12	244 639	24	Pressure part take-over on the left	239 848
	Cam box at the rear co. E12	244 640	25	Pressure part take-over on the right	239 849
2	Entry cam on the right pulling	224 767	26	Tuck pressure part	239 621
3	Entry cam on the left pulling	224 766	27	Limit cam E12-14	219 937
4	Entry cam at the top pulling	224 572	29	Pointer E10-14	210 349
5	Entry cam at the bottom -1.5 E10-14	216 328	30	Screw	210 335
6	Plate on the left	230 988	31	Stitch cam on the left E10-14	236 318
7	Plate in the middle	231 035	32	Stitch cam on the right E10-14 (front)	236 319
8	Plate on the right	231 036		Stitch cam on the right at the rear R/R E10-14	236 320
9	Cam on the left	231 039	33	Tuck limit cam E12	236 403
10	Cam on the right	231 041	34	Raising cam plate E4-12	204 372
11	Cam in the middle	231 040	35	Receiving cam E6.2	218 433
12	Cam	227 923	36	Raising cam part without split E6.2	218 434
13	Cam	210 254		Knitting raising cam with split (Accessories)	222 038
14	Cam on the left E5-14	212 265	48	Cam on the right E5-14	212 275
15	Cam on the right E5-14	212 266	49	Entry cam on the left -1.5 E10-14	216 329
16	Cam on the left	236 192	50	Entry cam on the right -1.5 E10-14	216 330
17	Cam on the right	236 193	51	Jack slider at the right	242 001
18	Cam on the left E5-14	212 274	52	Jack slider at the left	242 000
19	Cam	210 252	54	Floating cam on the right E12-14	227 278
20	Offering cam	210 185	55	Floating cam on the left E12-14	227 277
21	Selector cam on the left	212 944	65	Entry cam at the top pulling	225 333
22	Selector cam on the right	212 947	500	Cap screw M4x8	020 091
23	Selector cam	212 946			



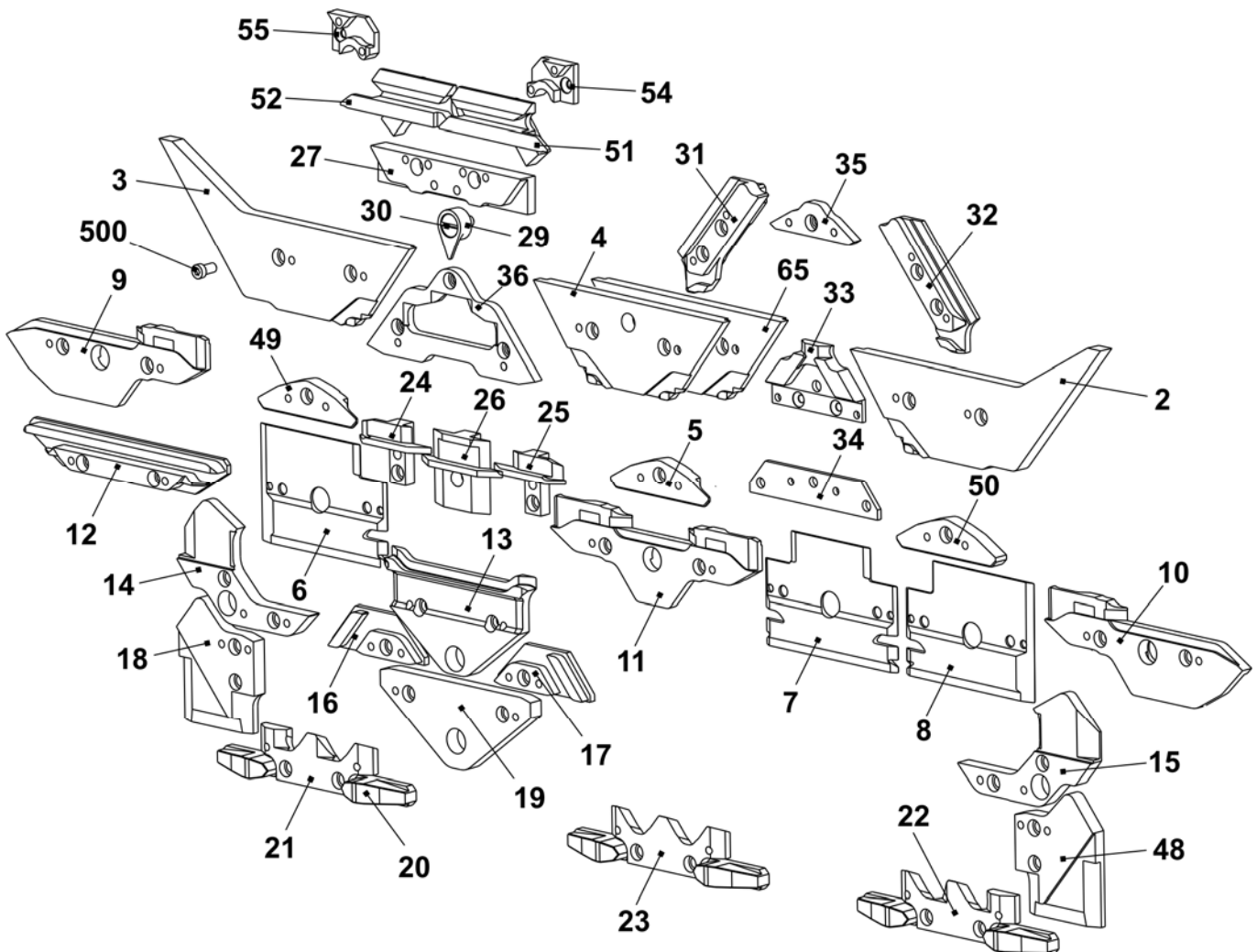
## Cam parts E14 (Top side)

Pos	Designation	ID	Pos	Designation	ID
$\Sigma$	<b>Cam box co. E14</b>	<b>244 022</b>	61	Control slide co.	219 998
1	Cam plate	242 337	61a	Control slide	219 914
37	Stitch forming cam on the right co. E12-14	219 994	61b	Control part on the left	228 825
38	Stitch forming cam on the left co. E12-14	219 993	61c	Control part on the right	228 826
39	Rod guide element on the left	211 165	61d	Guiding part on the left E5-14	219 650
40	Rod guide element in the middle	211 166	61e	Guiding part on the right	222 857
41	Rod guide element on the right	211 168	61f	Switch strip	225 115
41a	Rod guidance part	209 792	561	Cap screw M4x8	022 501
41b	Spring rod	209 791	562	U-washer 4.3x7x2.0	023 597
541	Disc 4.3x7x0.5	022 153	563	Hexagonal nut M4x8	022 461
542	Circlip 3.2	021 019	62	Supporting block on the left co.	219 995
543	Spring	023 344	63	Control unit co.	227 285
42	Switching piece	240 281	505	Shim 0.03x12x75	022 828
46	Shoulder screw	239 626	506	Shim 0.05x12x75	022 829
509	Countersunk screw M3x4	023 142	507	Shim 0.1x12x75	022 830
			508	Shim 0.2x12x75	022 831



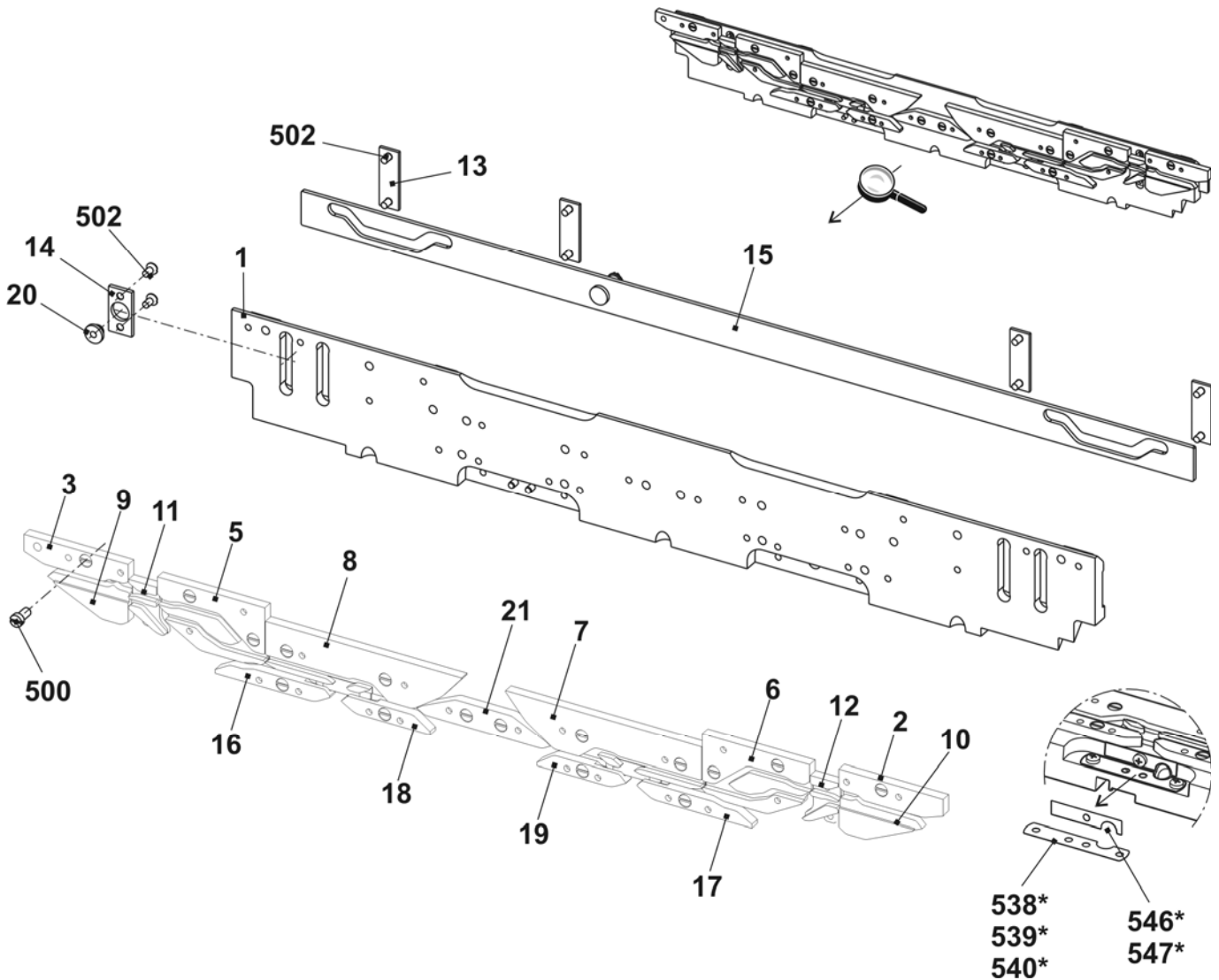
## Cam parts E14 (Bottom side)

Pos	Designation	ID	Pos	Designation	ID
<b>Σ</b>	<b>Cam box co. E14</b>	<b>244 022</b>	24	Pressure part take-over on the left	239 848
2	Entry cam on the right pulling	224 767	25	Pressure part take-over on the right	239 849
3	Entry cam on the left pulling	224 766	26	Tuck pressure part	239 621
4	Entry cam at the top pulling	224 572	27	Limit cam E12-14	219 937
5	Entry cam at the bottom -1.5 E10-14	216 328	29	Pointer E10-14	210 349
6	Plate on the left	230 988	30	Screw	210 335
7	Plate in the middle	231 035	31	Stitch cam on the left E10-14	236 318
8	Plate on the right	231 036	32	Stitch cam on the right E10-14	236 319
9	Cam on the left	231 039	33	Tuck limit cam E14	236 428
10	Cam on the right	231 041	34	Raising cam plate E4-12	204 372
11	Cam in the middle	231 040	35	Receiving cam E6.2	218 433
12	Cam	227 923	36	Raising cam part without split E6.2	218 434
13	Cam	210 254		Knitting raising cam with split (Accessories)	222 038
14	Cam on the left E5-14	212 265	48	Cam on the right E5-14	212 275
15	Cam on the right E5-14	212 266	49	Entry cam on the left -1.5 E10-14	216 329
16	Cam on the left	236 192	50	Entry cam on the right -1.5 E10-14	216 330
17	Cam on the right	236 193	51	Jack slider at the right	242 001
18	Cam on the left E5-14	212 274	52	Jack slider at the left	242 000
19	Cam	210 252	54	Floating cam on the right E12-14	227 278
20	Offering cam	210 185	55	Floating cam on the left E12-14	227 277
21	Selector cam on the left	212 944	65	Entry cam at the top pulling	225 333
22	Selector cam on the right	212 947	500	Cap screw M4x8	020 091
23	Selector cam	212 946			



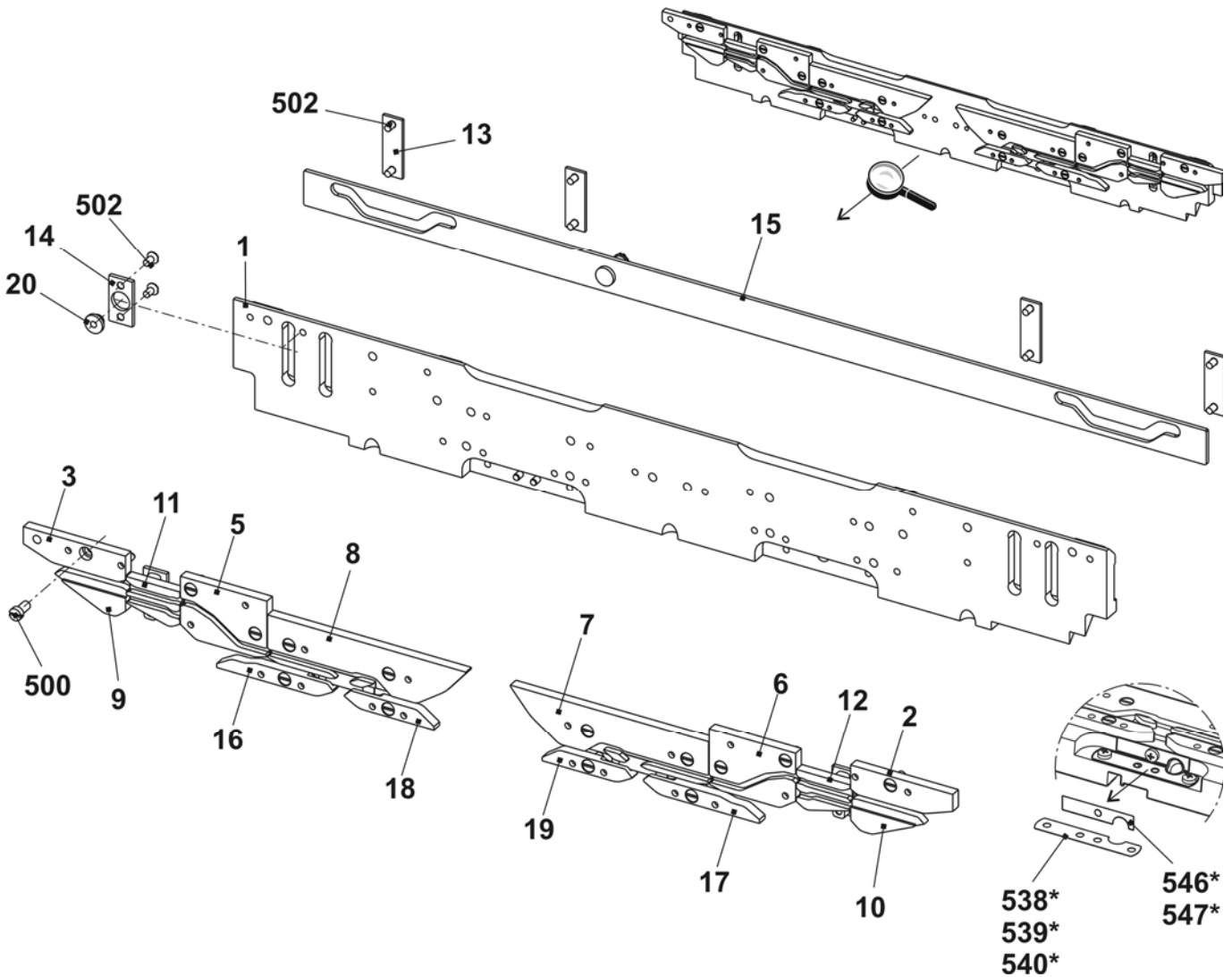
## Additional cam box E7-8

Pos	Designation	ID	Pos	Designation	ID
<b>Σ</b>	<b>Additional cam box co. E7-8</b>	<b>224 856</b>	15	Slider co.	224 854
1	Additional cam plate	224 751	16	Collecting part on the left	226 691
2	Racking entry cam on the right	227 905	17	Collecting part on the right	226 692
3	Racking entry cam on the left	227 904	18	Collecting part on the left	228 922
5	Central cam on the left E7-8	225 798	19	Collecting part on the right	228 923
6	Central cam on the right E7-8	225 800	20	Cap bush	225 855
7	Selection switch on the right	228 920	21	Additional part E7-8	229 991
8	Selection switch on the left	228 921	500	Cap screw M4x8	020 091
9	Entry switch on the left	227 902	502	Countersunk screw M3x6	020 286
10	Entry switch on the right	227 903	538*	Shim 0.03x10x50	023 622
11	Switching part on the left E5-8	227 906	539*	Shim 0.05x10x50	023 548
12	Switching part on the right E5-8	227 907	540*	Shim 0.1x10x50	023 549
13	Guide plate	224 771	546*	Shim 0.05x7x36	239 606
14	Slider cover plate	224 776	547*	Shim 0.1x7x36	239 607



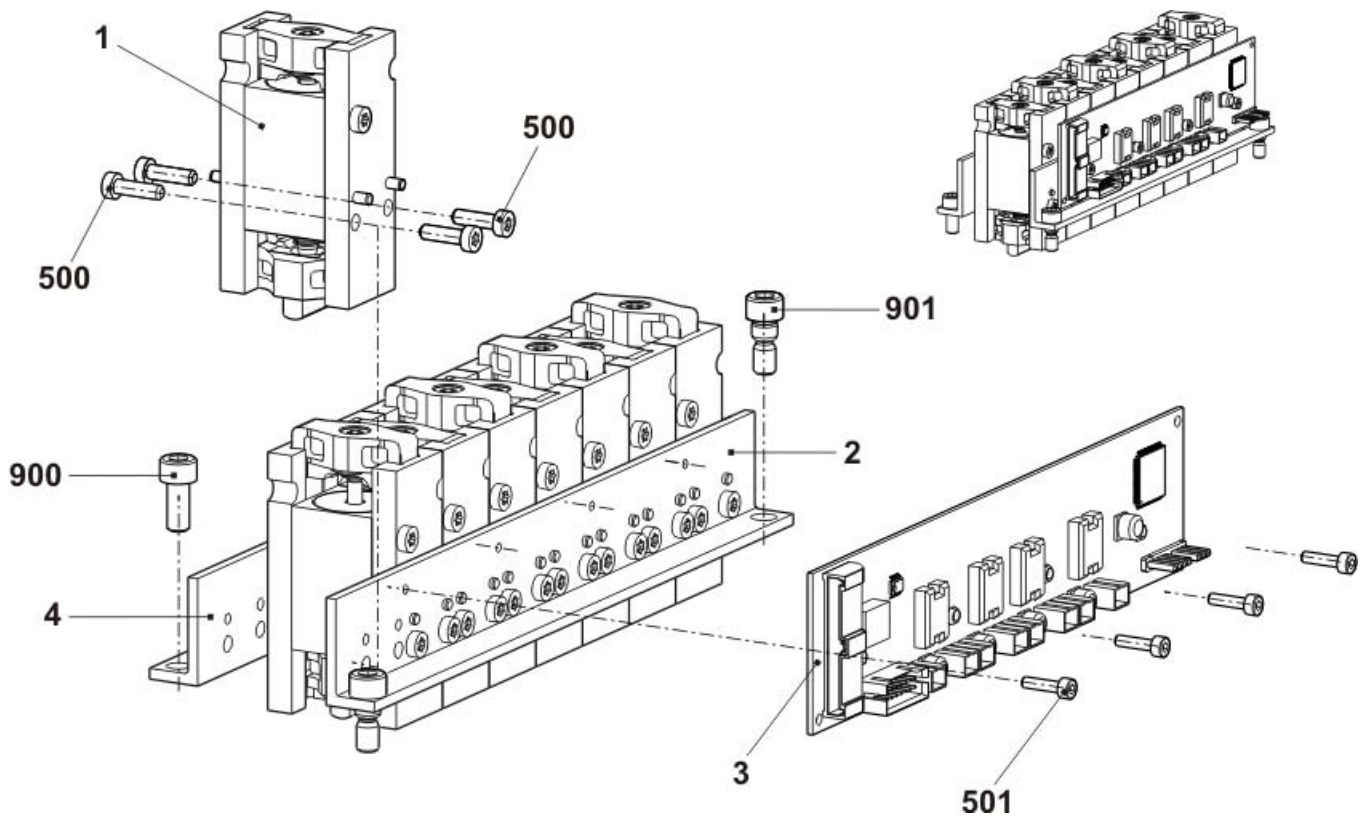
## Additional cam box E10-14

Pos	Designation	ID	Pos	Designation	ID
<b>Σ</b>	<b>Additional cam box co. E10-14</b>	<b>224 857</b>			
1	Additional cam plate	224 751	15	Slider co.	224 854
2	Racking entry cam on the right	228 844	16	Collecting part on the left	226 691
3	Racking entry cam on the left	228 848	17	Collecting part on the right	226 692
5	Central cam on the left E10-14	230 420	18	Collecting part on the left	228 922
6	Central cam on the right E10-14	230 421	19	Collecting part on the right	228 923
7	Selection switch on the right	228 920	20	Cap bush	225 855
8	Selection switch on the left	228 921	500	Cap screw M4x8	020 091
9	Entry switch on the left E10-14	228 832	502	Countersunk screw M3x6	020 286
10	Entry switch on the right E10-14	228 823	538*	Shim 0.03x10x50	023 622
11	Switching part on the left E10-14	230 422	539*	Shim 0.05x10x50	023 548
12	Switching part on the right E10-14	230 423	540*	Shim 0.1x10x50	023 549
13	Guide plate	224 771	546*	Shim 0.05x7x36	239 606
14	Slider cover plate	224 776	547*	Shim 0.1x7x36	239 607



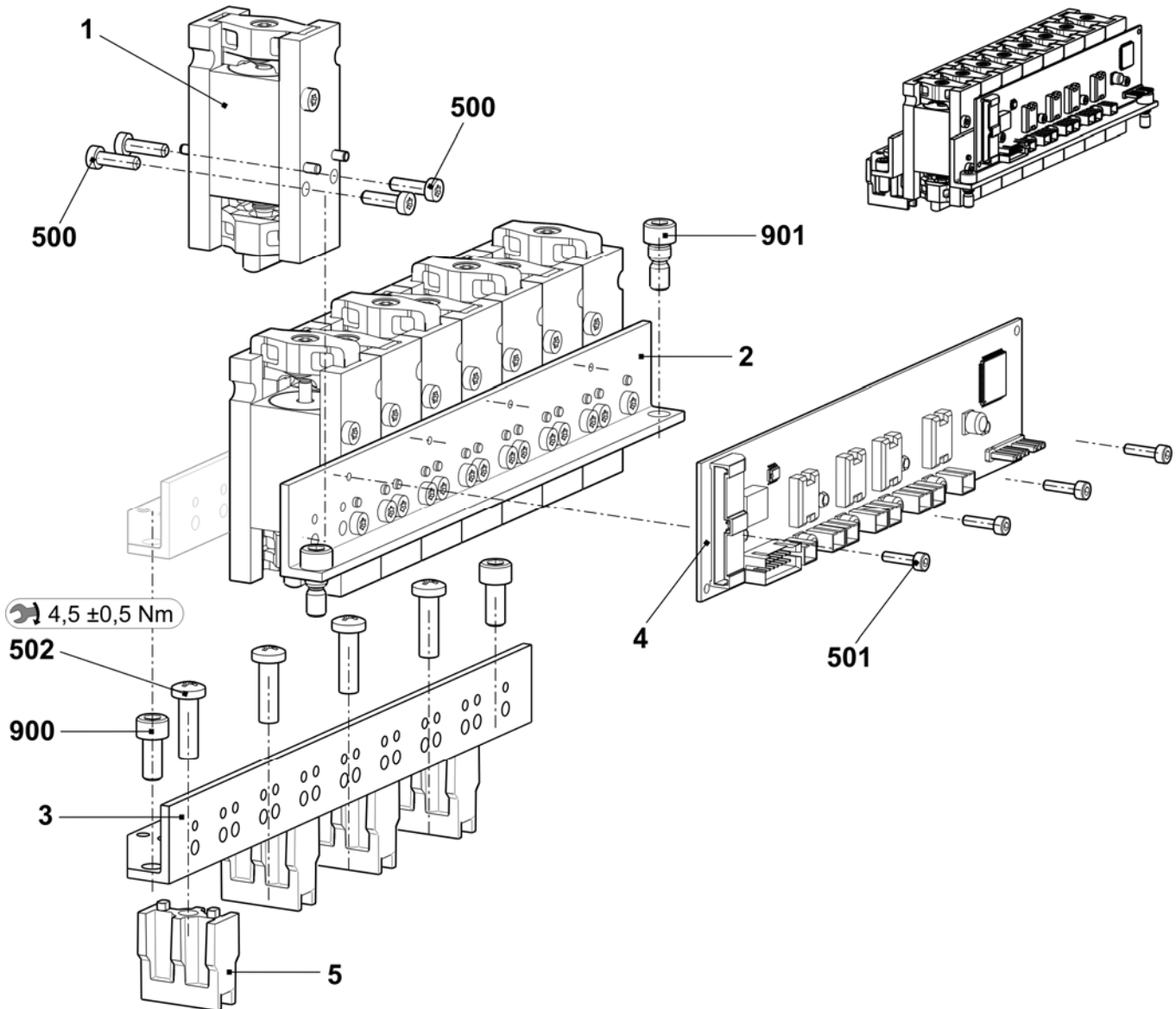
## Yarn carrier driving without guiding part

Pos	Designation	ID	Pos	Designation	ID
<b>Σ</b>	<b>YC driving outside co.</b>	<b>241 080</b>			
1	Yarn carrier plunger co.	242 214	500	Cap screw M4x14-I-Torx	242 279
2	Support angle for jack	241 038	501	Cap screw M3x12-12.9	022 648
3	Card yarn carrier final stages OKC	300 960	900	Cap screw M6x14	022 658
4	Support angle for YC driving	242 903	901	Shoulder screw	231 899



## Yarn carrier driving with guiding part

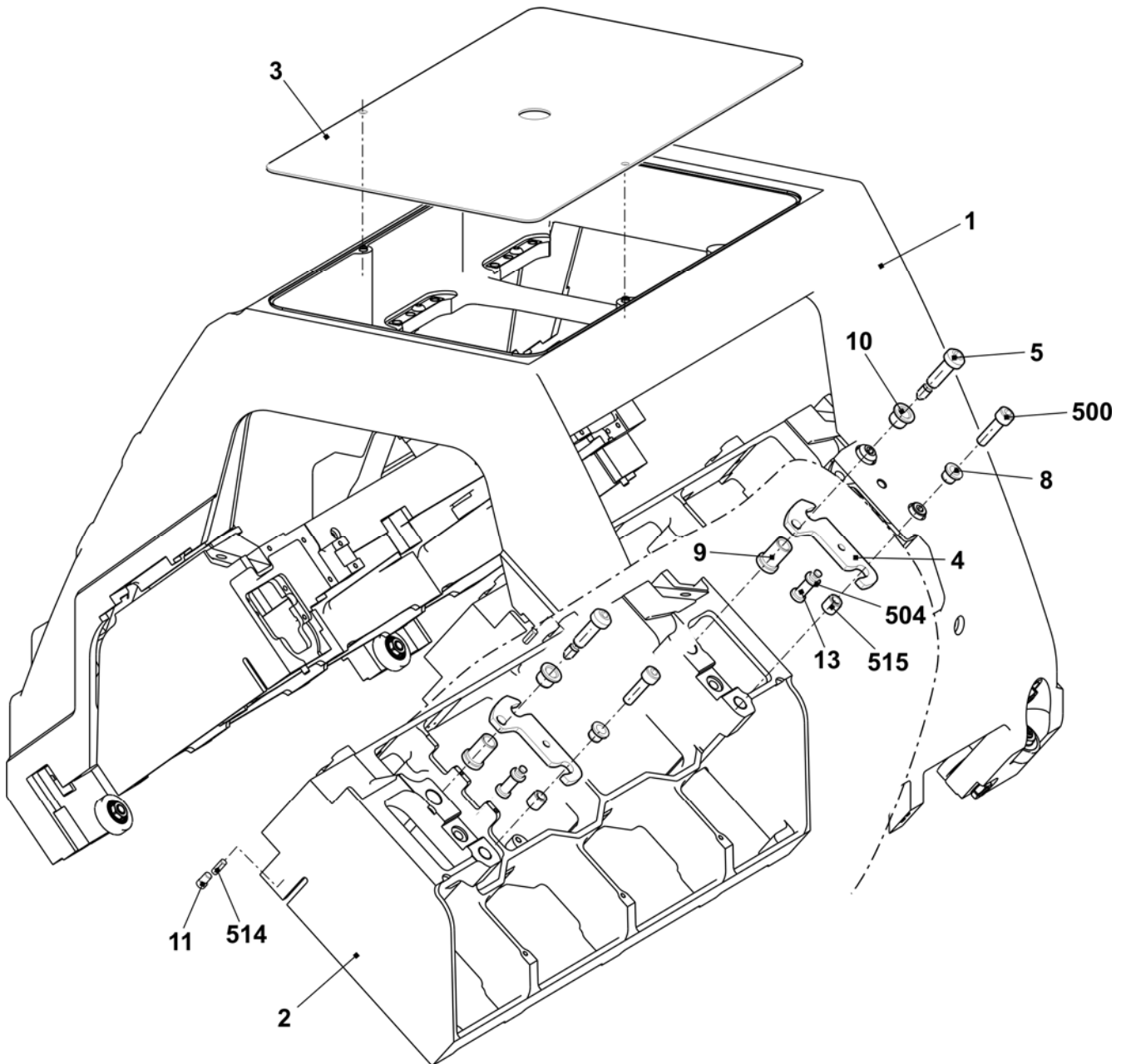
Pos	Designation	ID	Pos	Designation	ID
<b>Σ</b>	<b>YC driving in the middle co.</b>	<b>241 081</b>			
1	Yarn carrier plunger co.	242 214	500	Cap screw M4x14-I-Torx	242 279
2	Support angle for jack	241 038	501	Cap screw M3x12-12.9	022 648
3	Support angle for YC driving	241 044	502	Screw KB60X20	243 625
4	Card yarn carrier final stages OKC	300 960	900	Cap screw M6x14	022 658
5	Guiding part	239 972	901	Shoulder screw	231 899





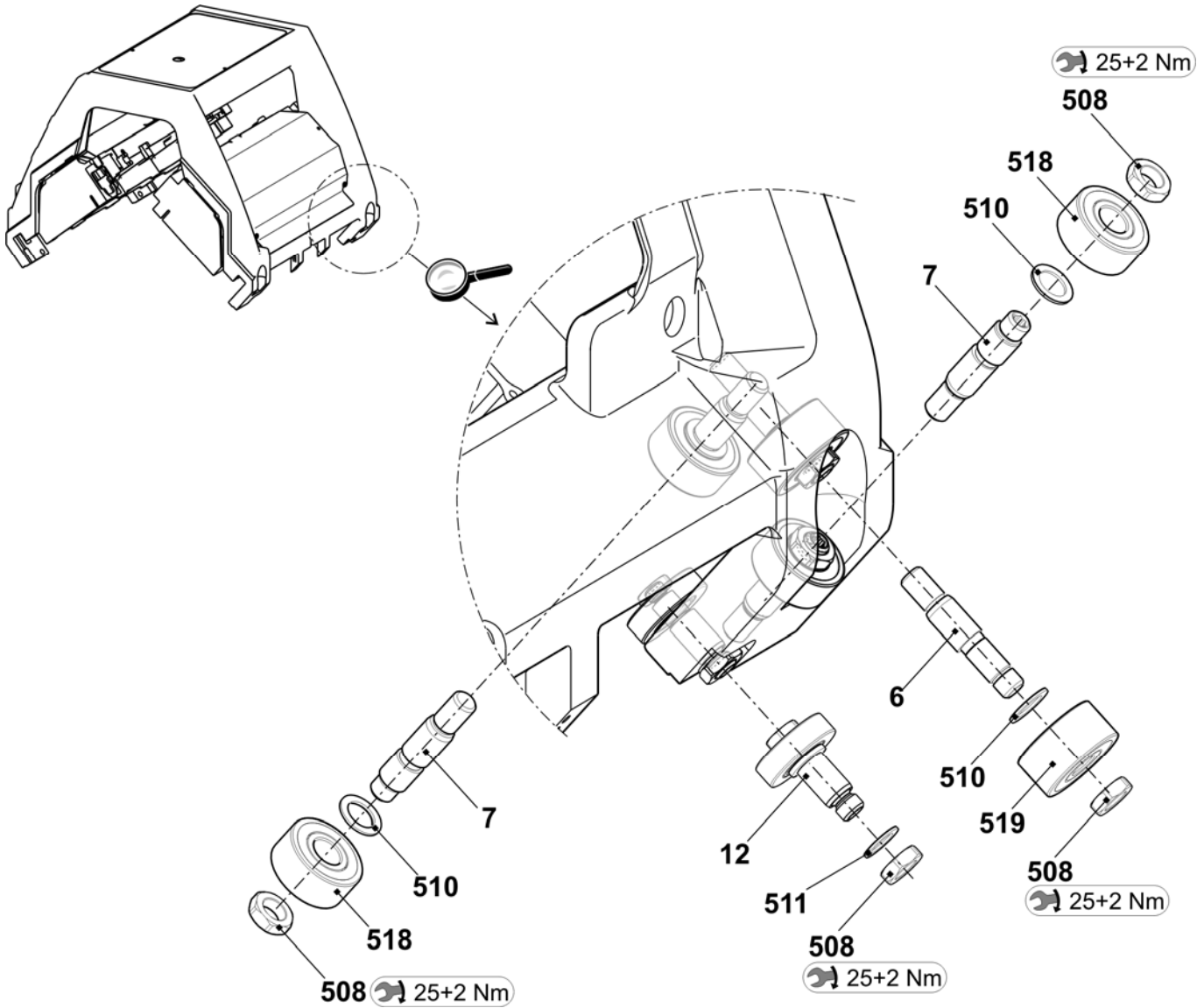
## Carriage assembly

Pos	Designation	ID	Pos	Designation	ID
<b>Σ</b>	<b>Carriage assembly 3 cam boxes co.</b>	<b>243 421</b>			
1	Carriage frame, 3 cam boxes	251 352	10	Bush	209 274
2	Carriage part, 3 cam boxes	242 334	11	Eccentric	222 983
3	Carriage cover at the top, 3 cam boxes	251 194	13	Fixing bolt linking spot	244 179
4	Shim	225 312	500	Cap screw M8X30	020 143
5	Shoulder screw	211 750	504	Shoulder screw M6x22x5	023 478
8	Bush	207 546	514	Setting pin 5x14	020 670
9	Bush	209 275	515	Threaded bushing	041 863



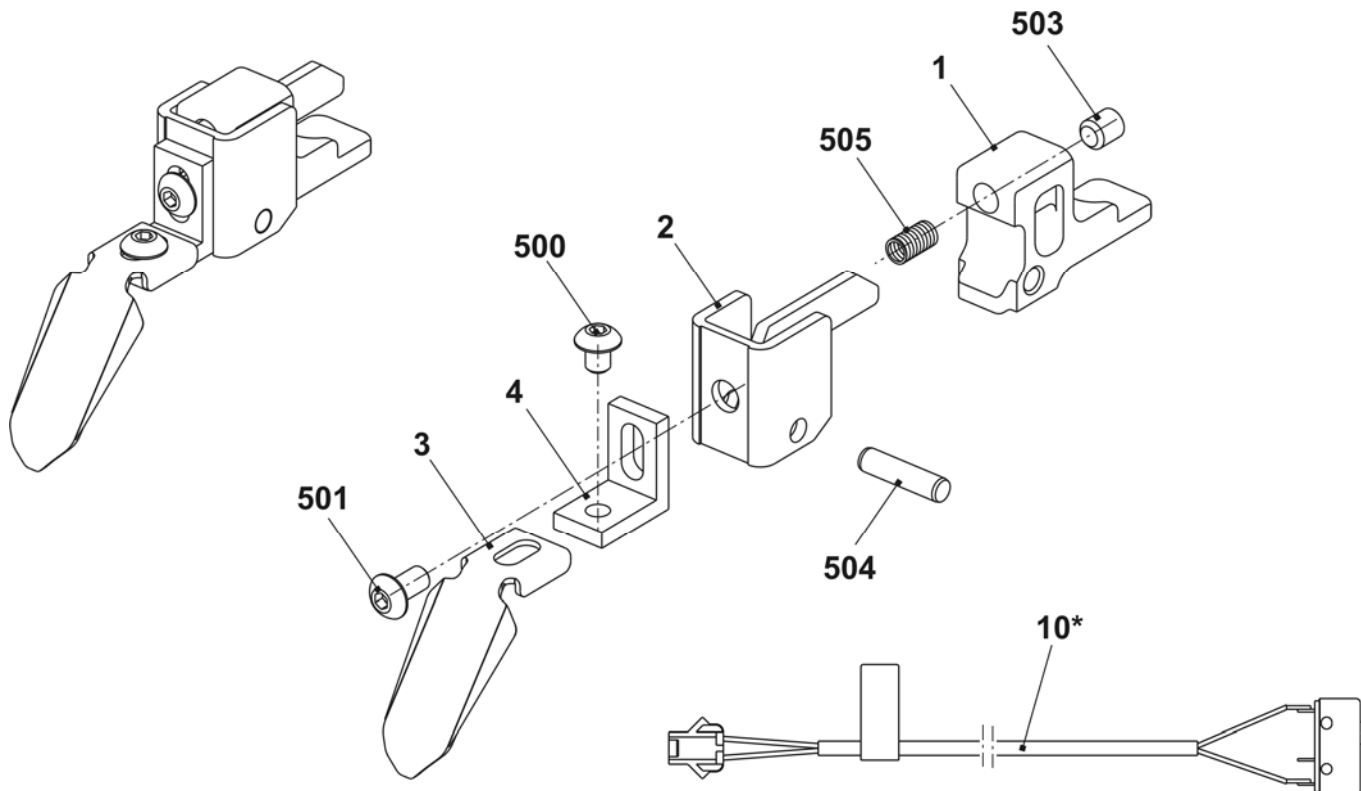
# Carriage guide

Pos	Designation	ID	Pos	Designation	ID
6	Bearing bolt eccentric 0.5	242 060	510	Shim ring 12x18x1	023 315
7	Bearing bolt eccentric 0.5	240 624	511	Adjusting washer 10x16x1	023 260
12	Bolt pre-assembled	244 283	518	Ball bearing 62201-2RS	241 408
508	Nut M10	023 316	519	Ball bearing 62300-2RS1	242 070



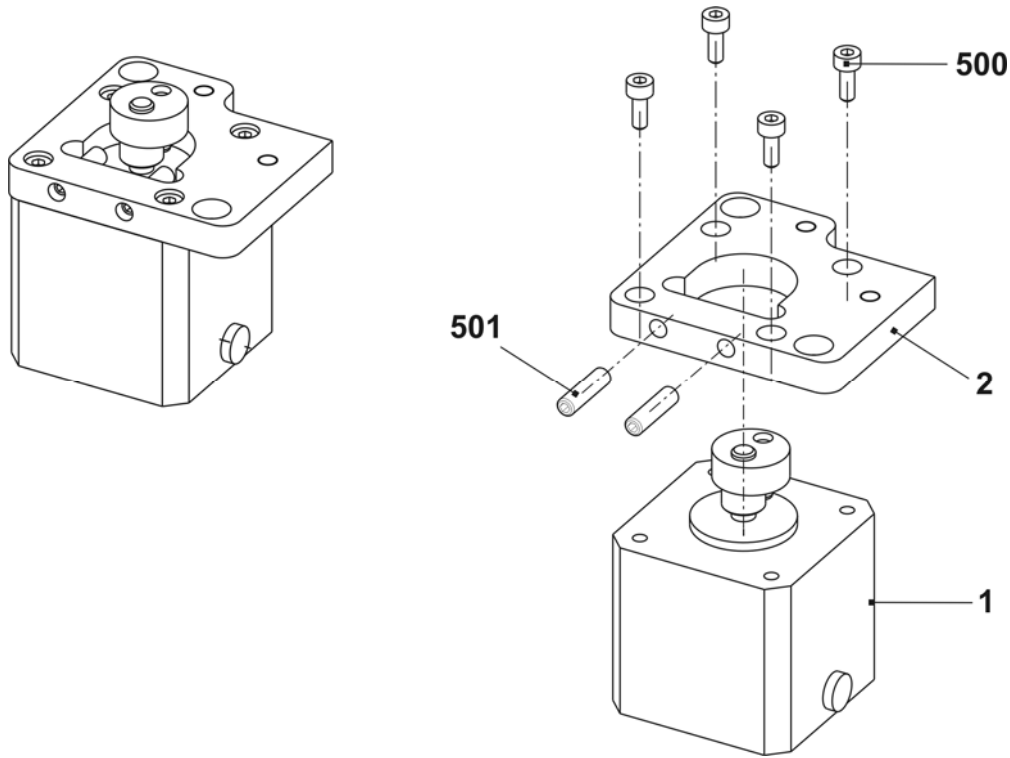
## Needle detector

Pos	Designation	ID	Pos	Designation	ID
<b>Σ</b>	<b>Needle detector co.</b>	<b>226 969</b>			
1	Support	226 773	500	Countersunk screw M4x5	239 549
2	Retainer	226 787	501	Countersunk screw M4x8	023 579
3	Sensor	226 967	503	Set screw M5x6	022 580
4	Angle	222 882	504	Setting pin 4x16	020 660
10*	Cable of needle detector co.	224 655	505	Compression spring 4.3x0.45x10	021 398



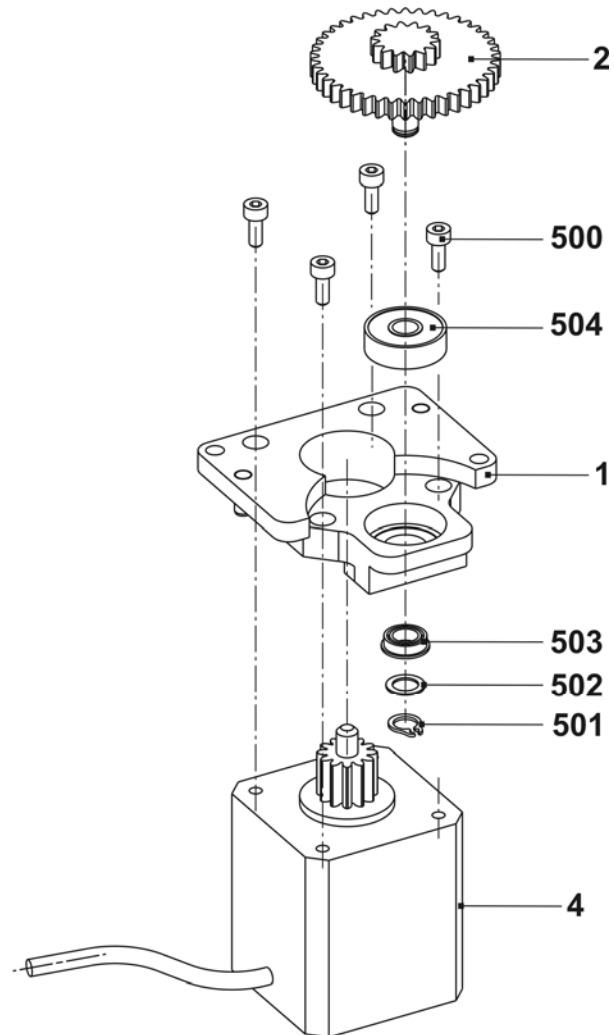
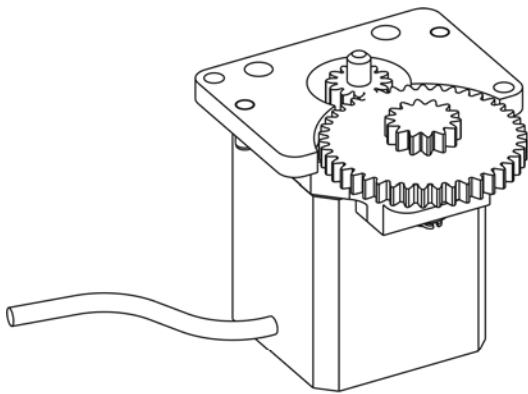
## Control unit brush

Pos	Designation	ID	Pos	Designation	ID
<b>Σ</b>	<b>Control unit brush</b>	<b>224 631</b>			
1	Motor co.	224 628	500	Cap screw M3x8	022 582
2	Motor plate	224 619	501	Grub screw M4x16	023 586



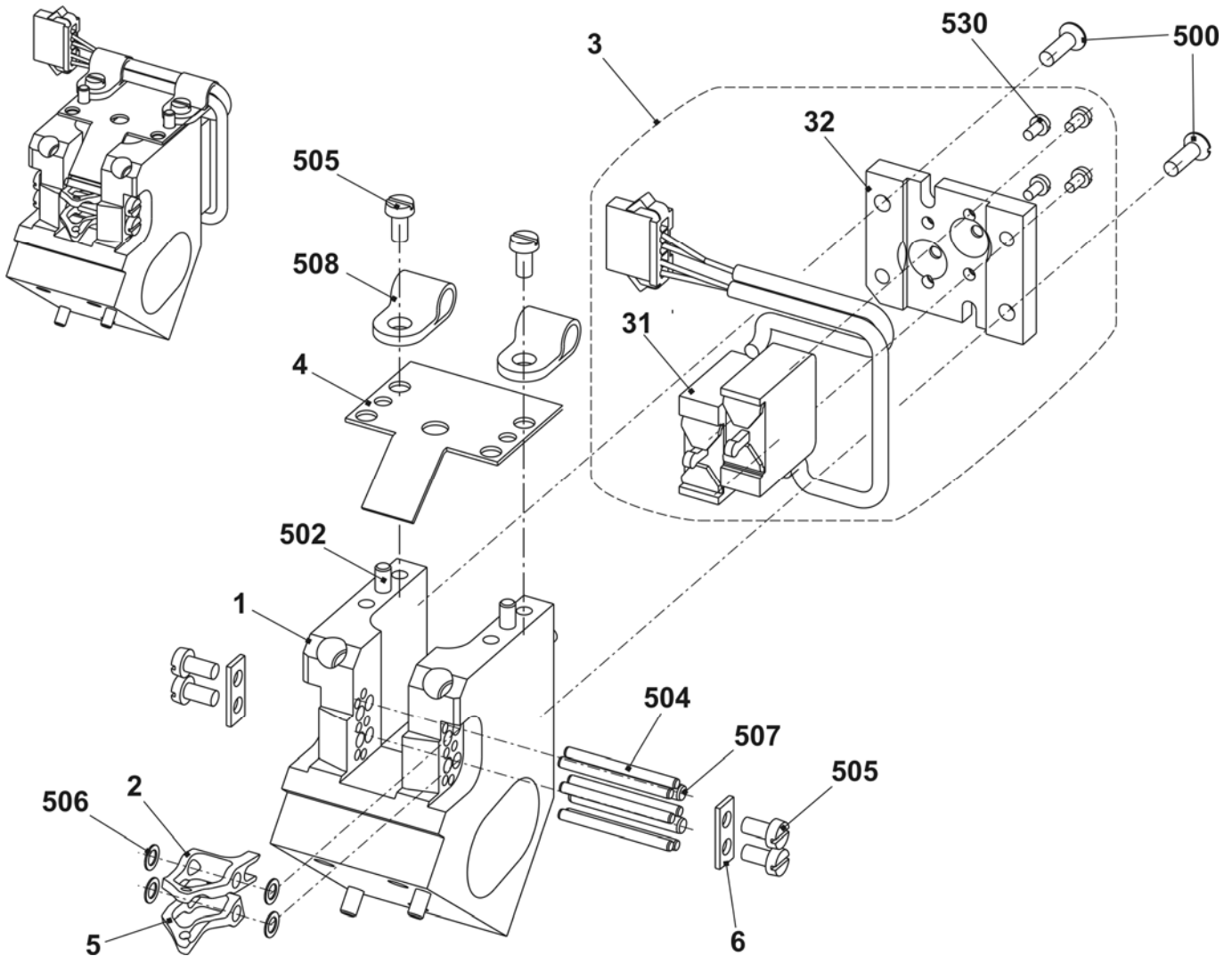
## Control unit Holding-down jack

Pos	Designation	ID	Pos	Designation	ID
<b>Σ</b>	<b>Control unit Holding-down jack</b>	<b>223 380</b>			
1	Motor plate on the right	222 837	501	Locking ring 6x0.7	023 298
2	Gear wheels	225 908	502	Washer 6.1x9x0.5	023 554
4	Motor pre-assembled	220 071	503	Ball bearing MF106HZZ-6x10x3	023 533
500	Cap screw M3x8	022 582	504	Ball bearing 626-2RS	023 587



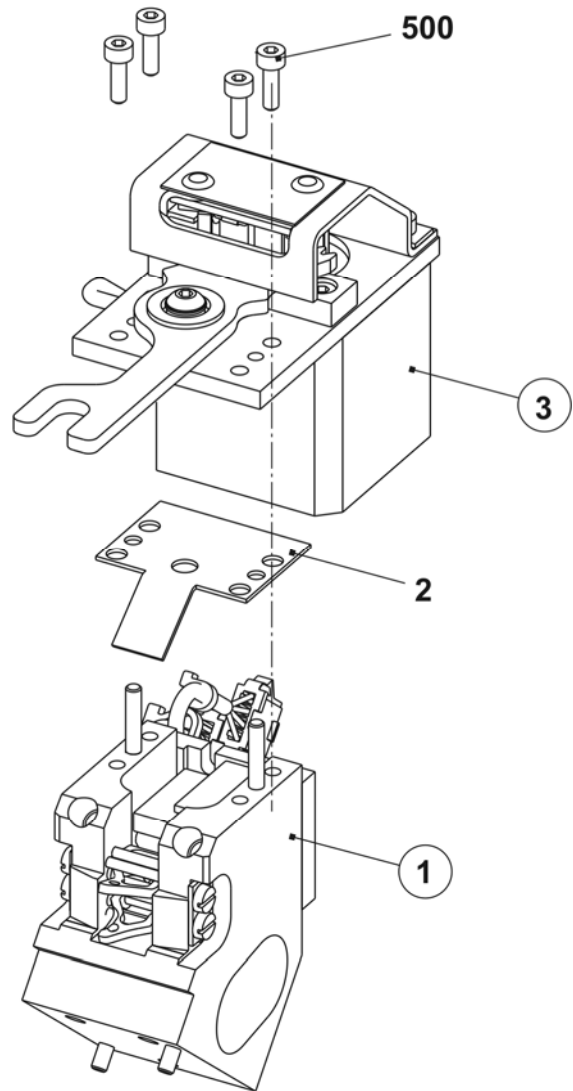
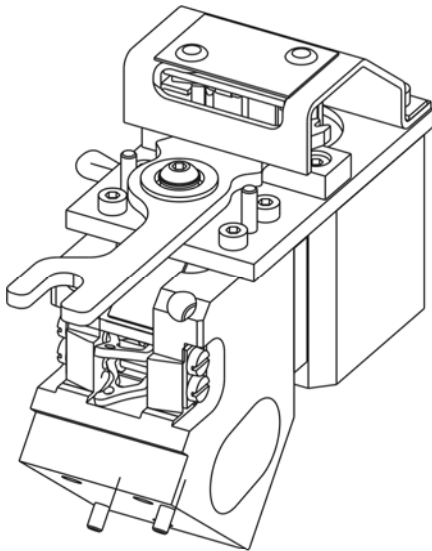
## Supporting block on the left co.

Pos	Designation	ID	Pos	Designation	ID
<b>Σ</b>	<b>Supporting block on the left co.</b>	<b>219 995</b>			
1	Supporting block E5-14	219 491	6	Safety plate	224 823
2	Rocker no.1	224 435	500	Countersunk screw M3x10-4.8	020 288
3	Selection co. E5-14	220 020	502	Setting pin 3x12	020 647
	31 Magnet system	220 021	504	Dowel pin 2x24	023 494
	32 Retaining plate tilting magnet 5-14	219 727	505	Cap screw M3x6	020 005
	530 Cap screw M2x4	023 624	506	Disc 3.05x4.9x0.3	023 589
4	Cover plate	223 177	507	Dowel pin 3x24	023 580
5	Rocker no.2	224 436	508	Cable clip 255/5.2	008 335



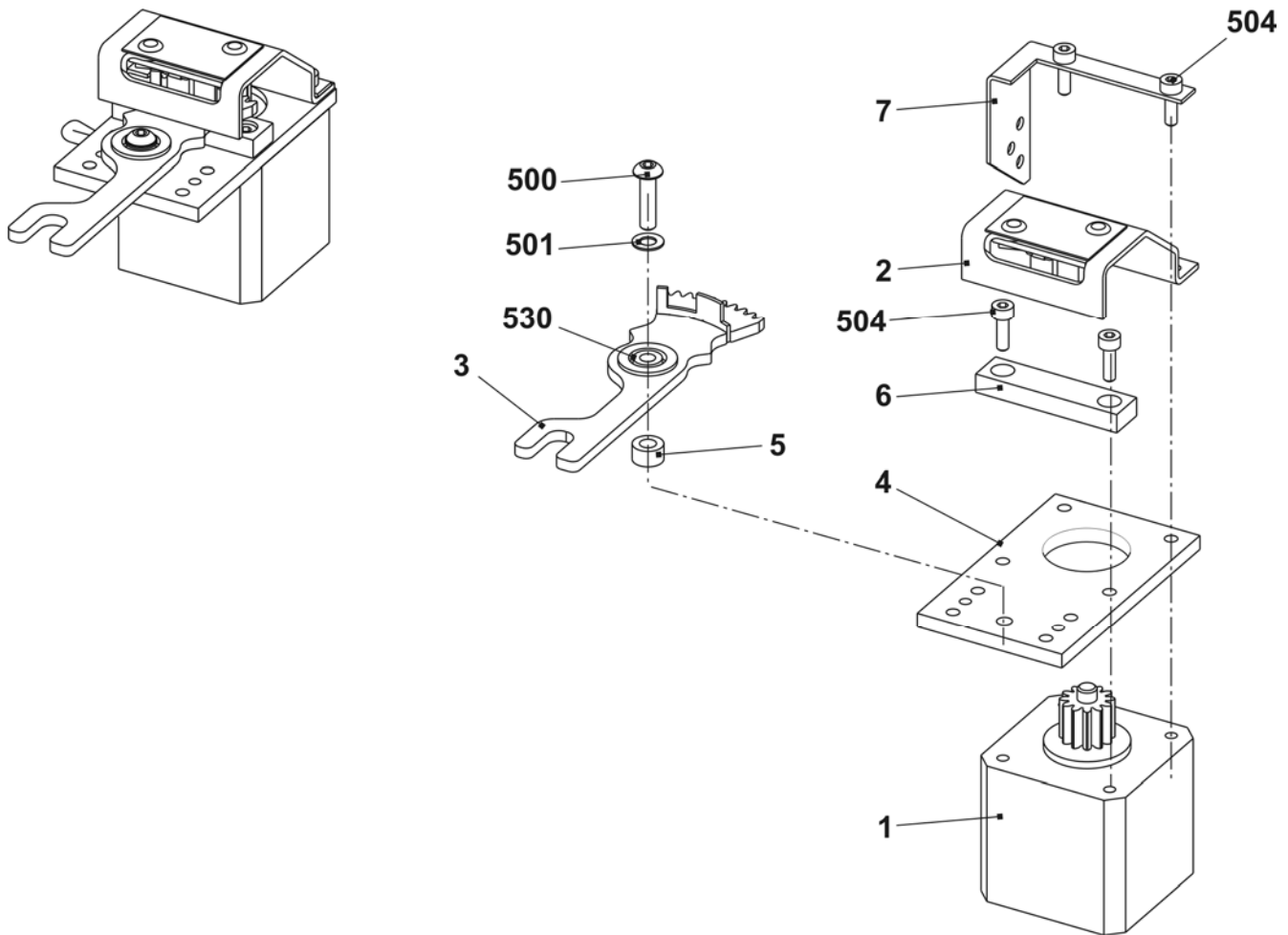
## Control unit co.

Pos	Designation	ID	Pos	Designation	ID
<b>Σ</b>	<b>Control unit co.</b>	<b>227 285</b>			
1	Supporting block on the right co.	224 741	3	Control unit co. E5-14	220 066
2	Cover plate	223 177	500	Cap screw M3x10	022 991



## Control unit

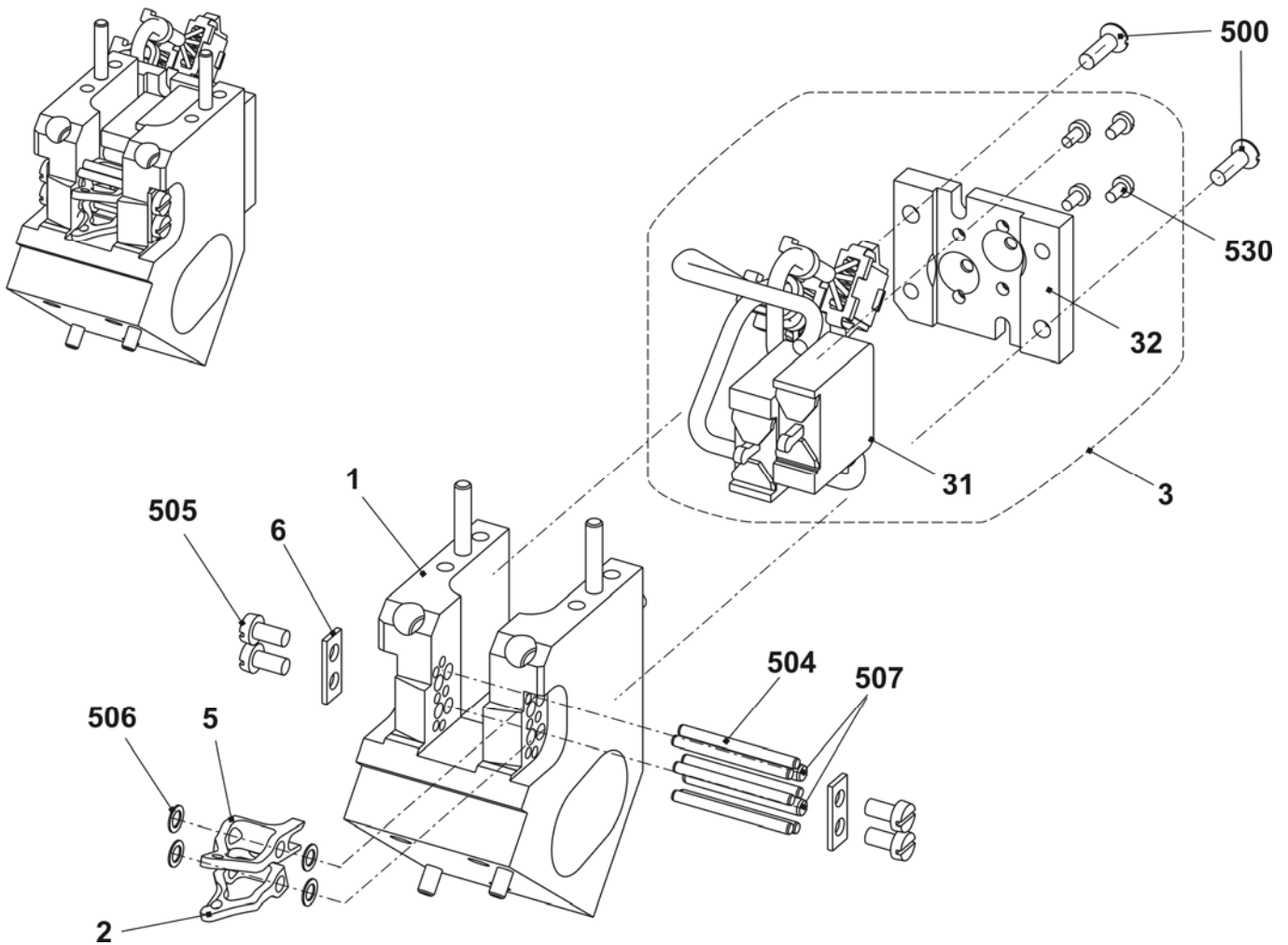
Pos	Designation	ID	Pos	Designation	ID
<b>Σ</b>	<b>Control unit co. E5-14</b>	<b>220 066</b>			
1	Step motor co.	218 653	6	Stopping strip	223 226
2	Photoelectric sensor co.	225 080	7	Retaining plate	225 073
3	Pivot lever co.	225 072	500	Countersunk screw M4x16	023 412
	530 Deep groove ball bearing F624-2Z-4x13x5	023 552	501	Circlip 4	020 879
4	Motor plate	219 718	504	Cap screw M3x10	022 991
5	Spacing bush	219 726			





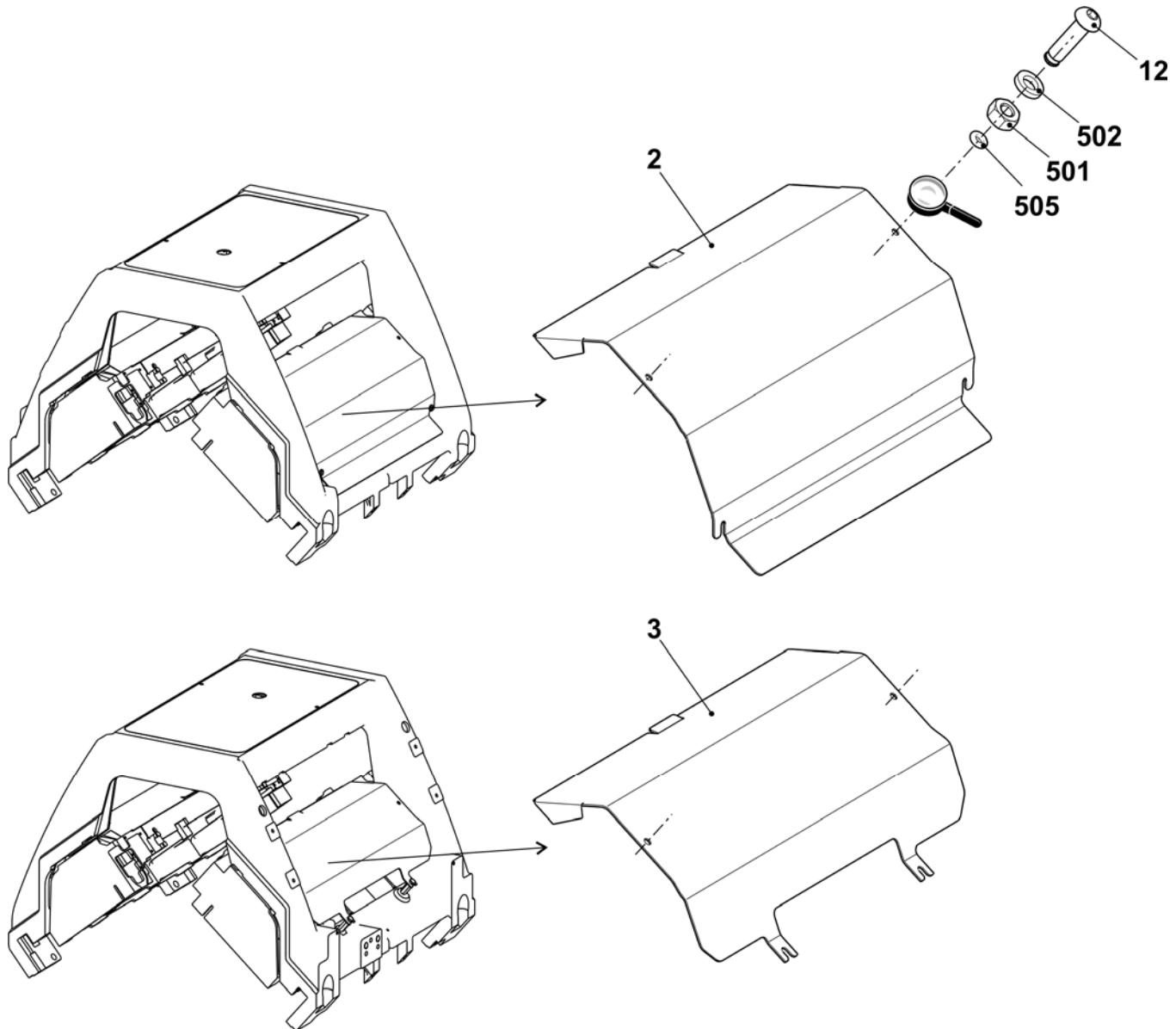
## Supporting block on the right co.

Pos	Designation	ID	Pos	Designation	ID
<b>Σ</b>	<b>Supporting block on the right co.</b>	<b>224 741</b>			
1	Supporting block E5-14	219 491	6	Safety plate	224 823
2	Rocker no.1	224 435	500	Countersunk screw M3x10-4.8	020 288
3	Selection co. E5-14	220 020	504	Dowel pin 2x24	023 494
	31 Magnet system	220 021	505	Cap screw M3x6	020 005
	32 Retaining plate tilting magnet 5-14	219 727	506	Disc 3.05x4.9x0.3	023 589
	530 Cap screw M2x4	023 624	507	Dowel pin 3x24	023 580
5	Rocker no.2	224 436			



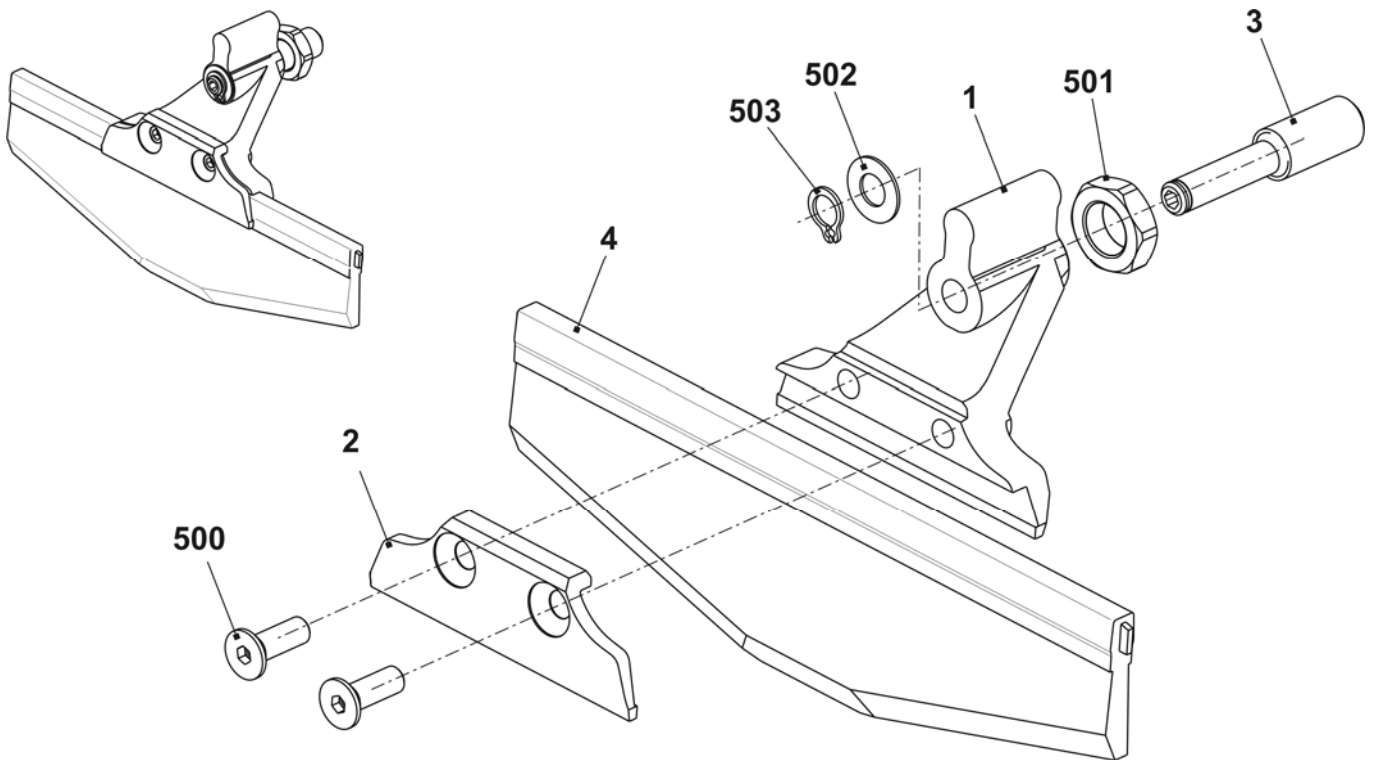
## Carriage cover

Pos	Designation	ID	Pos	Designation	ID
2	Carriage cover front 3 cam boxes	251 175	501	Serrated lock washer 6.4	022 385
3	Carriage cover at the rear 3 cam boxes	251 182	502	Hexagon nut M6	022 899
12	Fixing bolt	242 382	505	O-ring 3x2	242 420

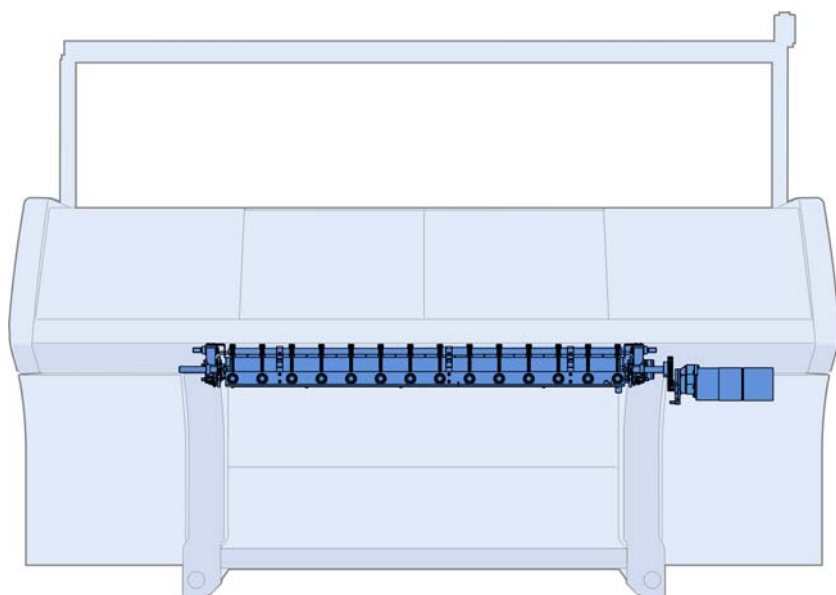


## Brush holder

Pos	Designation	ID	Pos	Designation	ID
<b>Σ</b>	<b>Brush holder co. (E5-8)</b>	<b>220 064</b>	4	Brush (E5-8)	203 254
	<b>Brush holder co. (E10-14)</b>	<b>220 065</b>		Brush (E10-14)	212 854
1	Brush holder	219 423	500	Countersunk head screw M4x12	023 062
2	Brush clamp	213 010	501	Hexagon nut M8x5	020 856
3	Threaded rod	209 740	502	Adjusting washer 5x10x0.5	023 348
			503	Locking ring 5x0.6	023 347

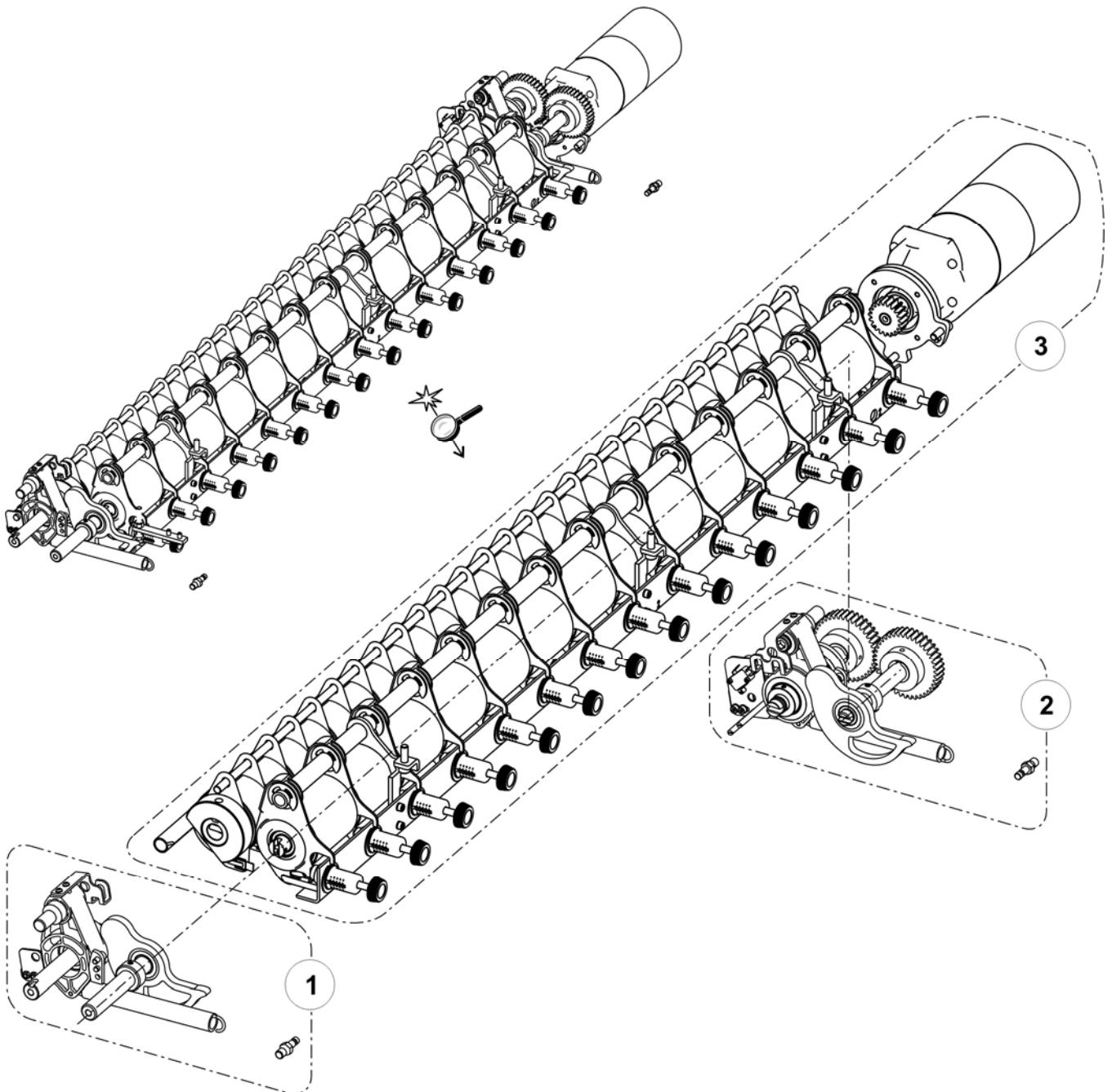


## Main take-down



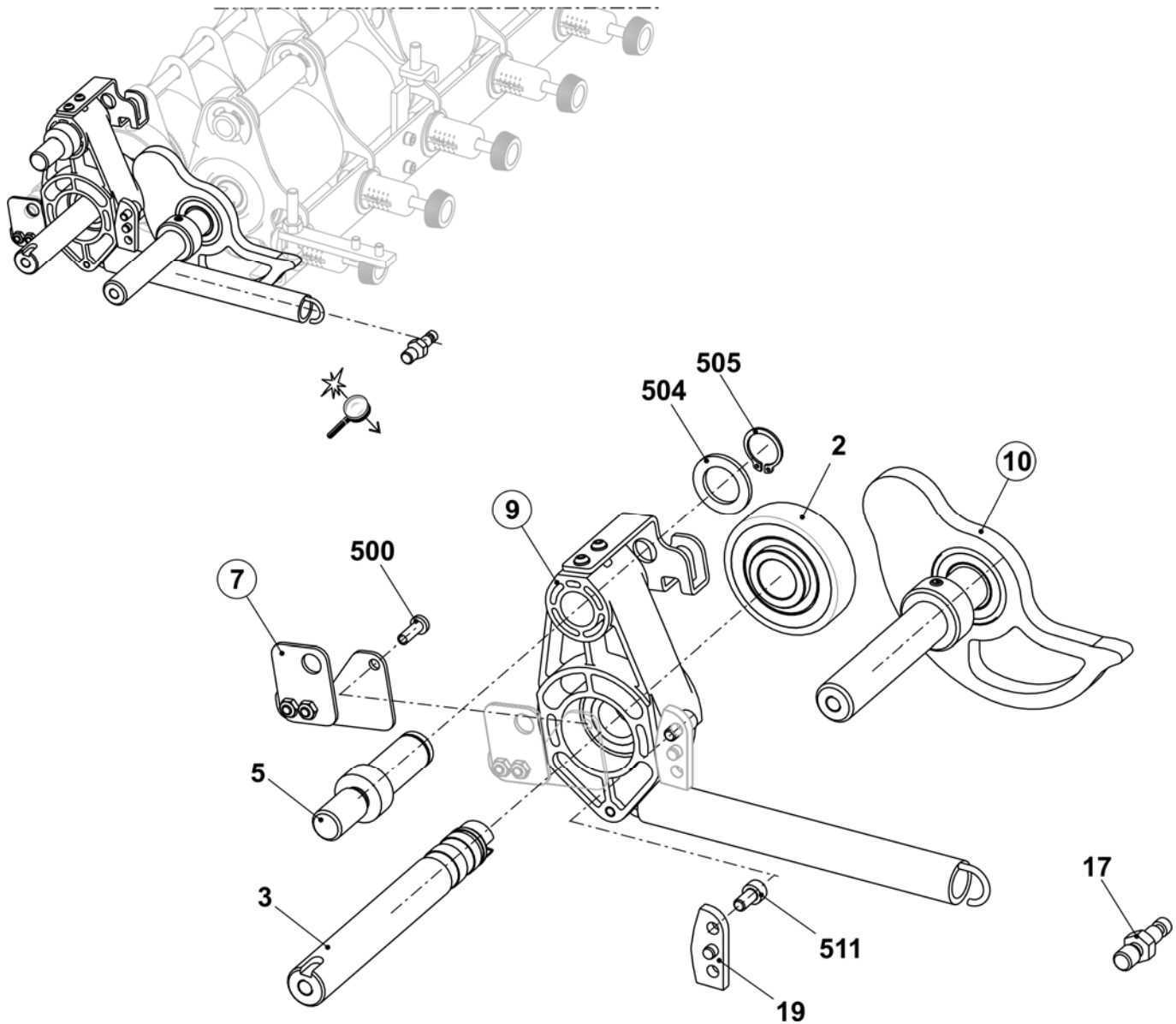
## Main take-down

Pos	Designation	ID	Pos	Designation	ID
$\Sigma$	<b>Main take-down</b>		2	Main take-down right	253 852
1	Main take-down left	253 851	3	Main take-down in the middle E7 + E8 + E10 + E12 + E14	253 525



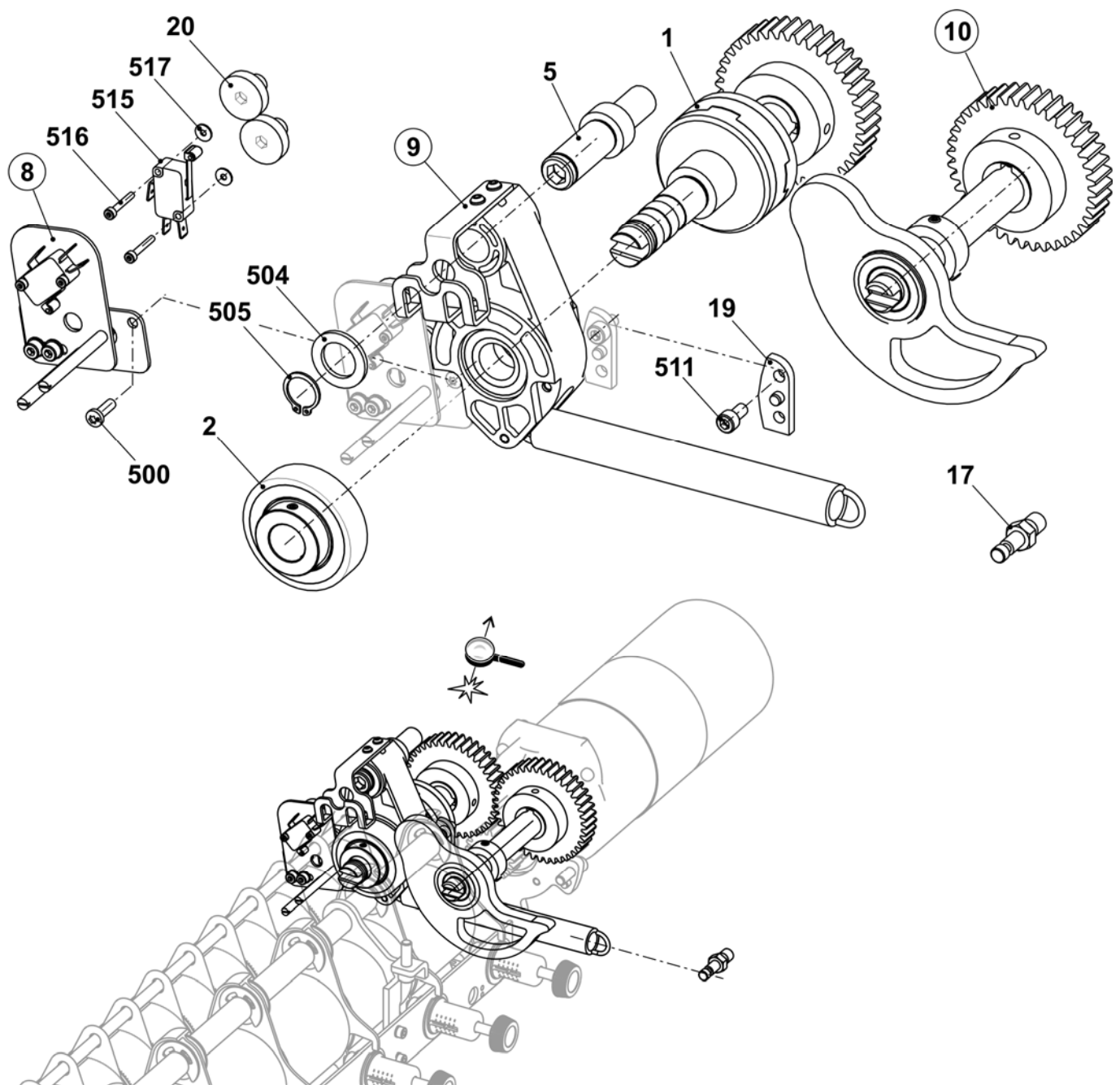
## Main take-down left

Pos	Designation	ID	Pos	Designation	ID
<b>Σ</b>	<b>Main take-down left</b>	<b>253 851</b>			
2	Bearing race co.	244 459	17	Spring bolt	221 143
3	Shaft on the left at the rear	221 012	19	Stop point	252 503
5	Bolt	208 538	500	Screw 50x15	251 728
7	Mounting plate on the left co.	231 725	504	U-washer 18	023 295
9	Swivel-mounted bearing	251 761	505	Locking ring 18x1.2	020 955
10	Floating axle on the left	251 984	511	Cap screw M6x12	020 134



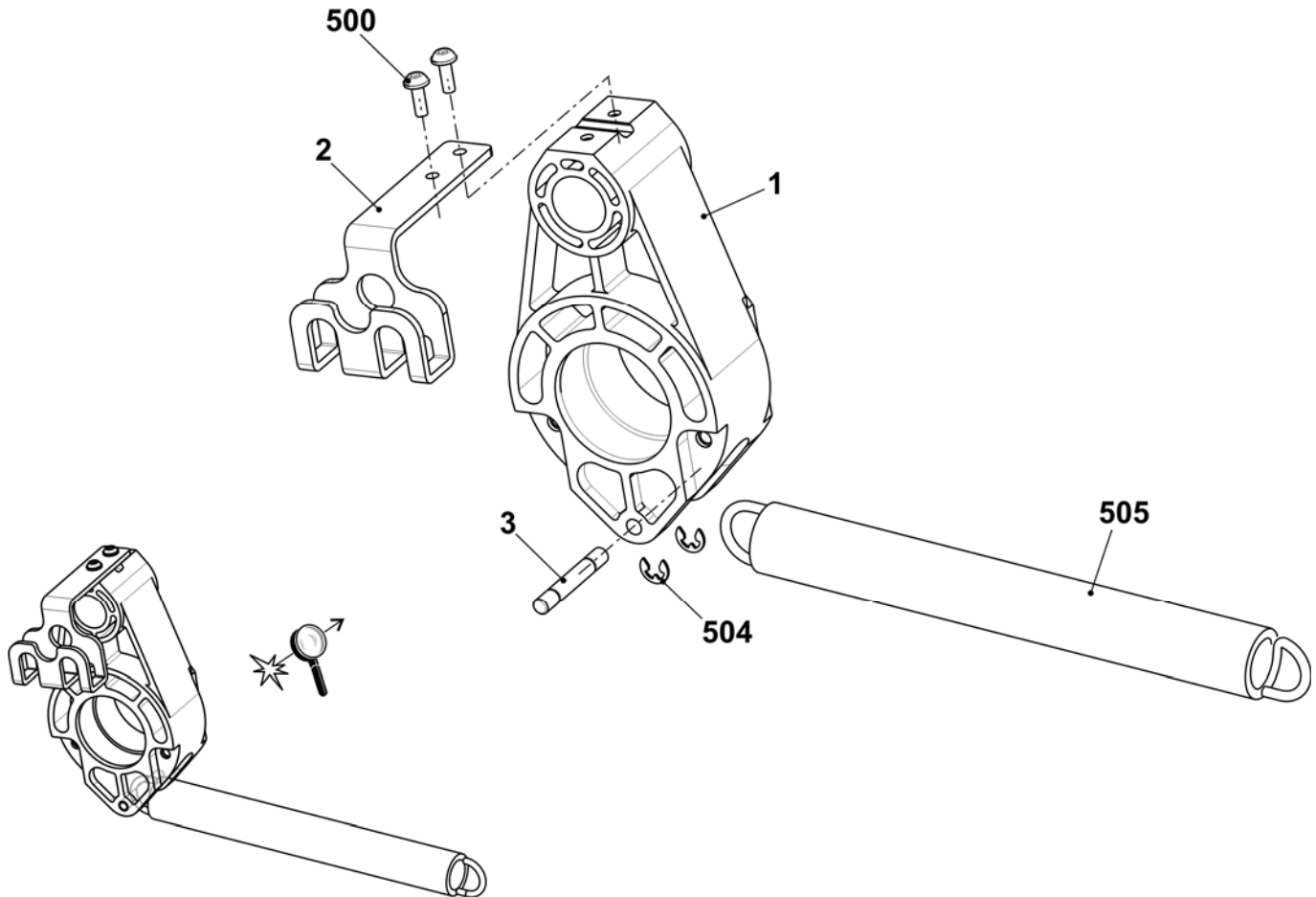
## Main take-down right

Pos	Designation	ID	Pos	Designation	ID
<b>Σ</b>	<b>Main take-down right</b>	<b>253 852</b>			
1	Clutch set	251 677	20	Threaded bushing	222 522
2	Bearing race co.	244 459	500	Screw 50x15	251 728
5	Bolt	208 538	504	U-washer 18	023 295
8	Mounting plate on the right co.	240 069	505	Locking ring 18x1.2	020 955
9	Swivel-mounted bearing	251 761	511	Cap screw M6x12	020 134
10	Floating axle on the right	251 985	515	Microswitch Xgk2-S21 250	210 510
17	Spring bolt	221 143	516	Cap screw M3x20	023 221
19	Stop point	252 503	517	U-washer 3	023 657



## Swivel-mounted bearing

Pos	Designation	ID	Pos	Designation	ID
<b>Σ</b>	<b>Swivel-mounted bearing</b>	<b>251 761</b>			
1	Swivel-mounted bearing	241 996	500	Screw M35x10	251 729
2	Sheet metal support	251 749	504	Circlip 4	021 020
3	Axle	251 758	505	Tension spring 21x3.0x192	240 217

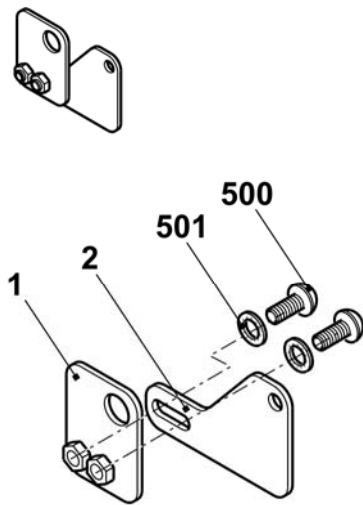




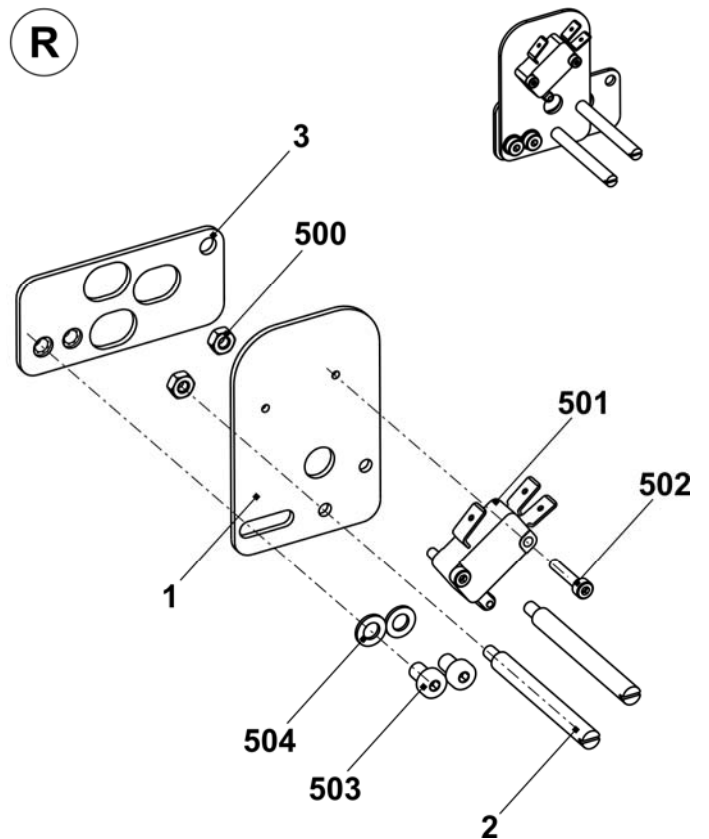
## Mounting plate

Pos	Designation	ID	Pos	Designation	ID
<b>Σ L</b>	<b>Mounting plate on the left co.</b>	<b>231 725</b>	<b>Σ R</b>	<b>Mounting plate on the right co.</b>	<b>240 069</b>
1	Mounting plate on the left	231 541	1	Mounting plate on the right	240 068
2	Retaining plate on the left	231 539	2	Shoulder screw	240 067
500	Countersunk screw M5x10	023 247	3	Retaining plate on the right	240 066
501	Serrated lock washer J5.3	022 489	500	Hexagon nut M4-6	022 536
			501	Microswitch	026 259
			502	Cap screw M3x16	022 583
			503	Cap screw M5x8	244 278
			504	U-washer 5-200	020 871

**L**

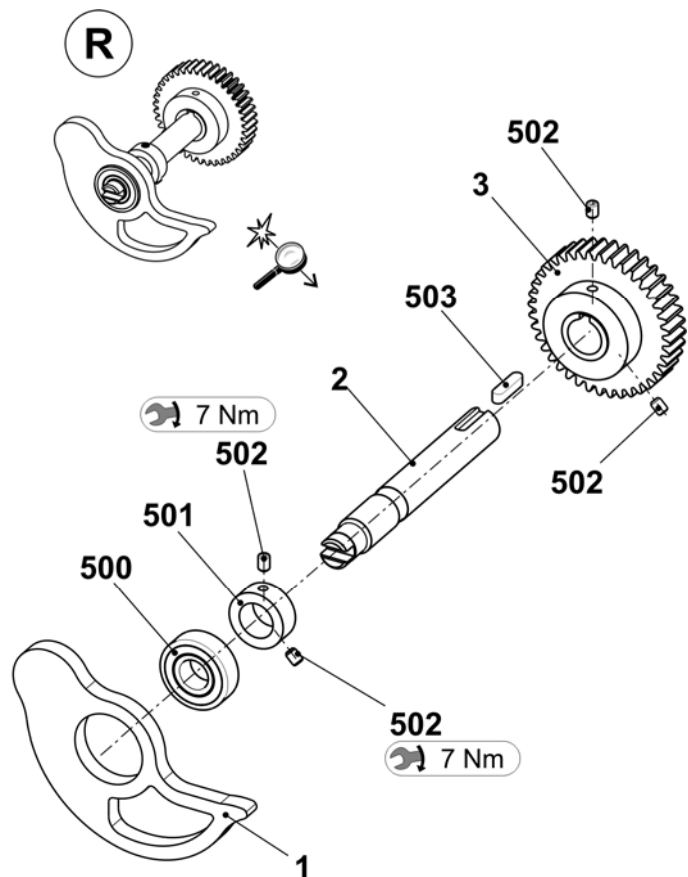
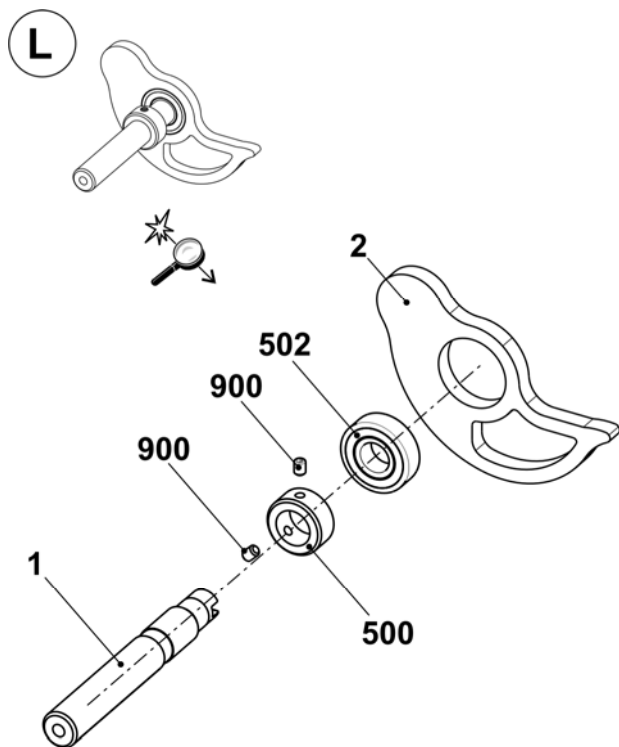


**R**



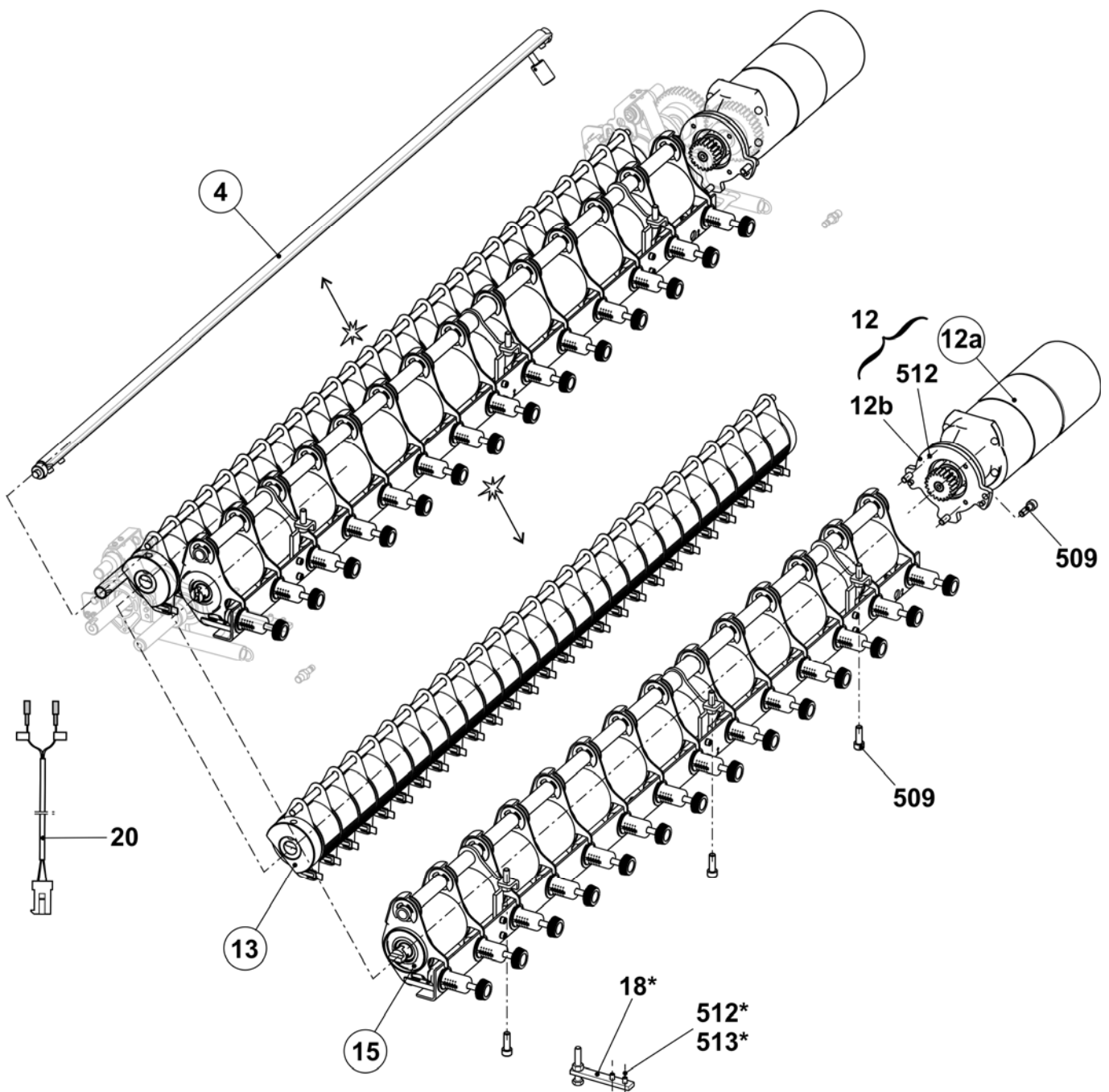
## Floating axle

Pos	Designation	ID	Pos	Designation	ID
<b>Σ L</b>	<b>Floating axle on the left</b>	<b>251 984</b>	<b>Σ R</b>	<b>Floating axle on the right</b>	<b>251 985</b>
1	Shaft on the left at the front	221 013	1	Eccentric	251 959
2	Eccentric	251 959	2	Shaft on the right	223 393
500	Set collar	020 938	3	Gear wheel z=40, m=2	213 744
502	Fitting freewheel ZZ6203L	023 294	500	Fitting freewheel ZZ6203L	023 294
900	Set screw M6x8	022 684	501	Set collar	020 938
			502	Set screw M6x8	022 684
			503	Feather key A 6x6x25	023 017



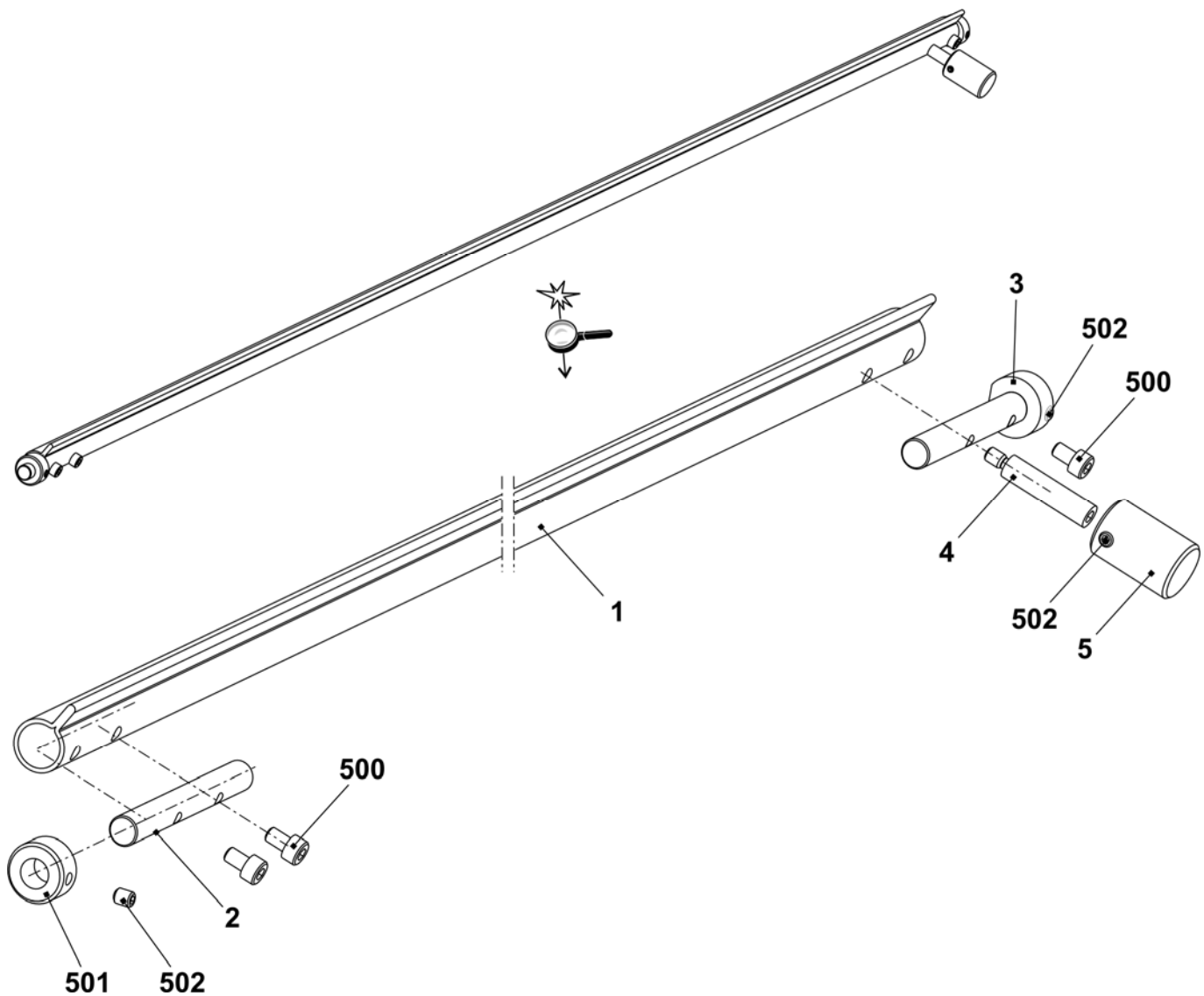
## Main take-down in the middle

Pos	Designation	ID	Pos	Designation	ID
$\Sigma$	<b>Main take-down in the middle</b>		13	Take-down roller at the rear co.	
	<b>E7 + E8 + E10 + E12 + E14</b>	<b>253 525</b>		<b>E7 + E8 + E10 + E12 + E14</b>	<b>253 853</b>
4	Stripper angle at the rear co.	240 125	15	Take-down roller at the front co.	241 426
12	Motor take-down unit co.	253 803	20	Connection cable winding plate	241 703
	12a Motor take-down unit + comb	214 279	509	Cap screw M8X25	020 142
	12b Flange	241 754	18*	Stop point	253 432
	512 Hexagon screw M6X16	020 356	512*	U-washer 6	020 881
			513*	Countersunk screw M6x16	023 124



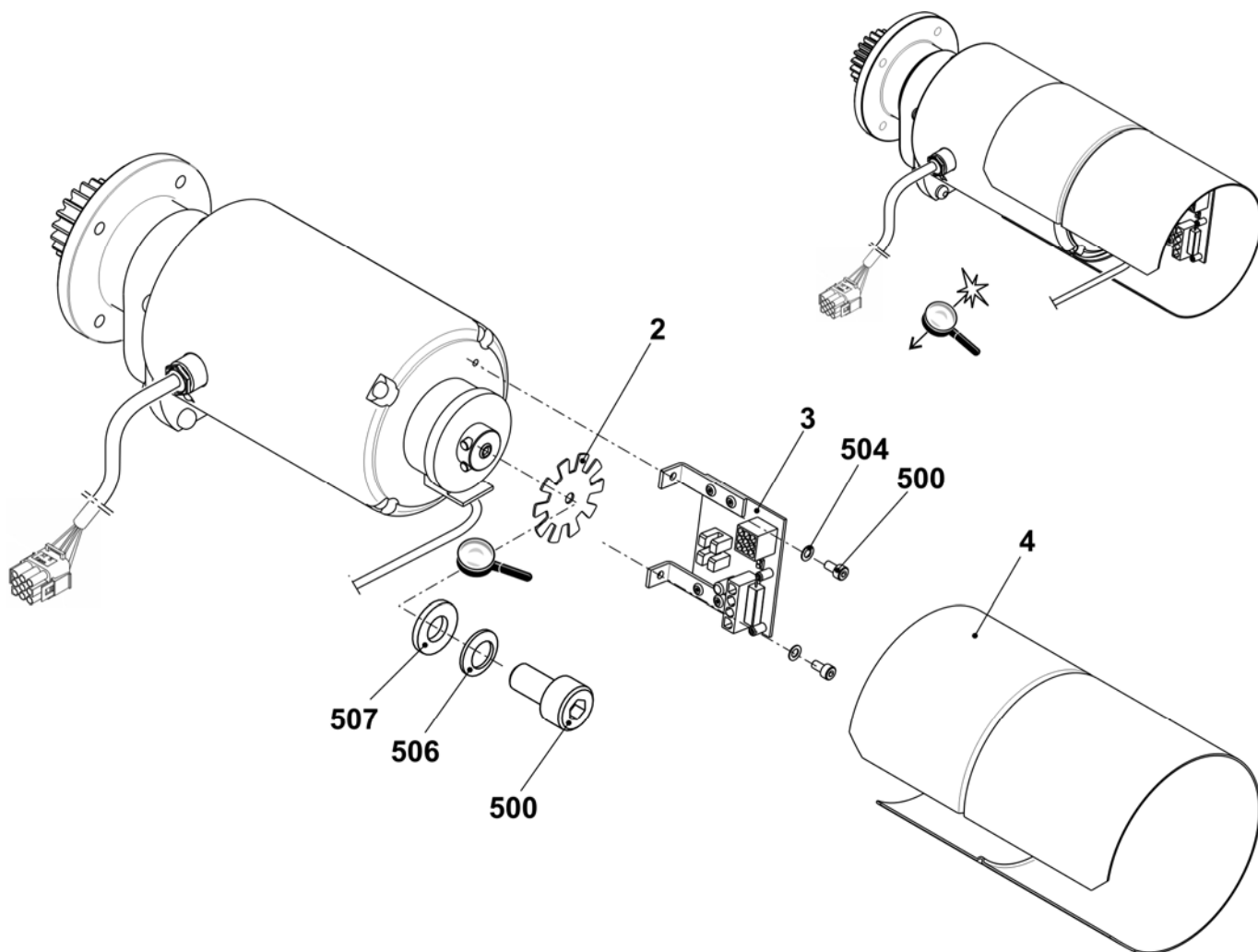
## Stripper angle

Pos	Designation	ID	Pos	Designation	ID
<b>Σ</b>	<b>Stripper angle at the rear co.</b>	<b>240 125</b>			
1	Stripper angle	240 126	5	Setting weight	229 248
2	Shaft	240 127	500	Cap screw M5x8	023 319
3	Cam	209 278	501	Set collar	020 934
4	Bolt	228 310	502	Set screw M5x6	022 738



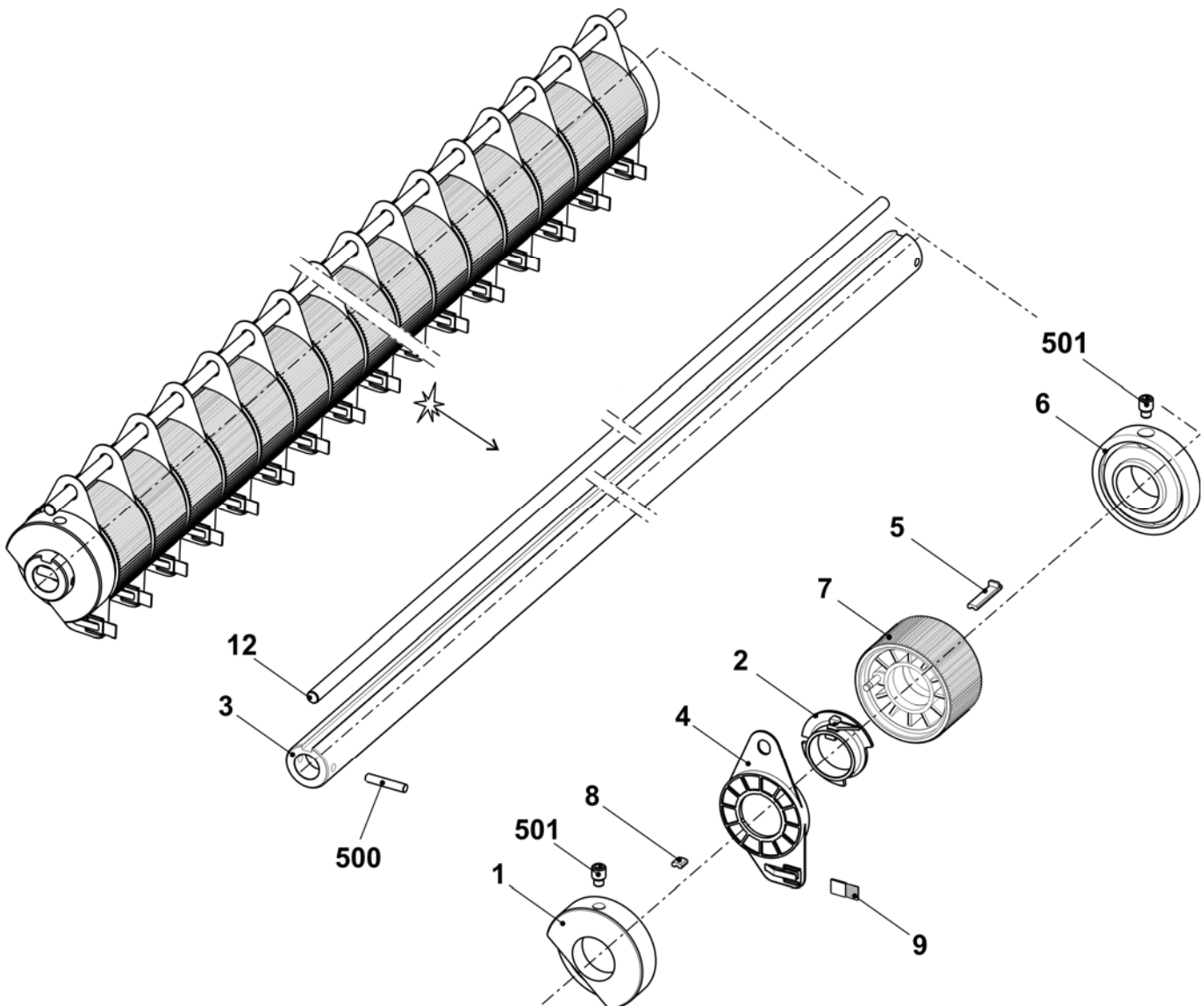
## Impulse giver and motor

Pos	Designation	ID	Pos	Designation	ID
$\Sigma$	<b>Motor take-down unit + comb</b>	<b>214 279</b>	500	Cap screw M4x8	022 501
2	Impulse disc	208 716	504	U-washer 4-200	020 879
3	Photoelectric sensor take-down + comb	300 744	506	Circlip	022 774
4	Cover	212 262	507	Shim ring 4x8x1	023 369



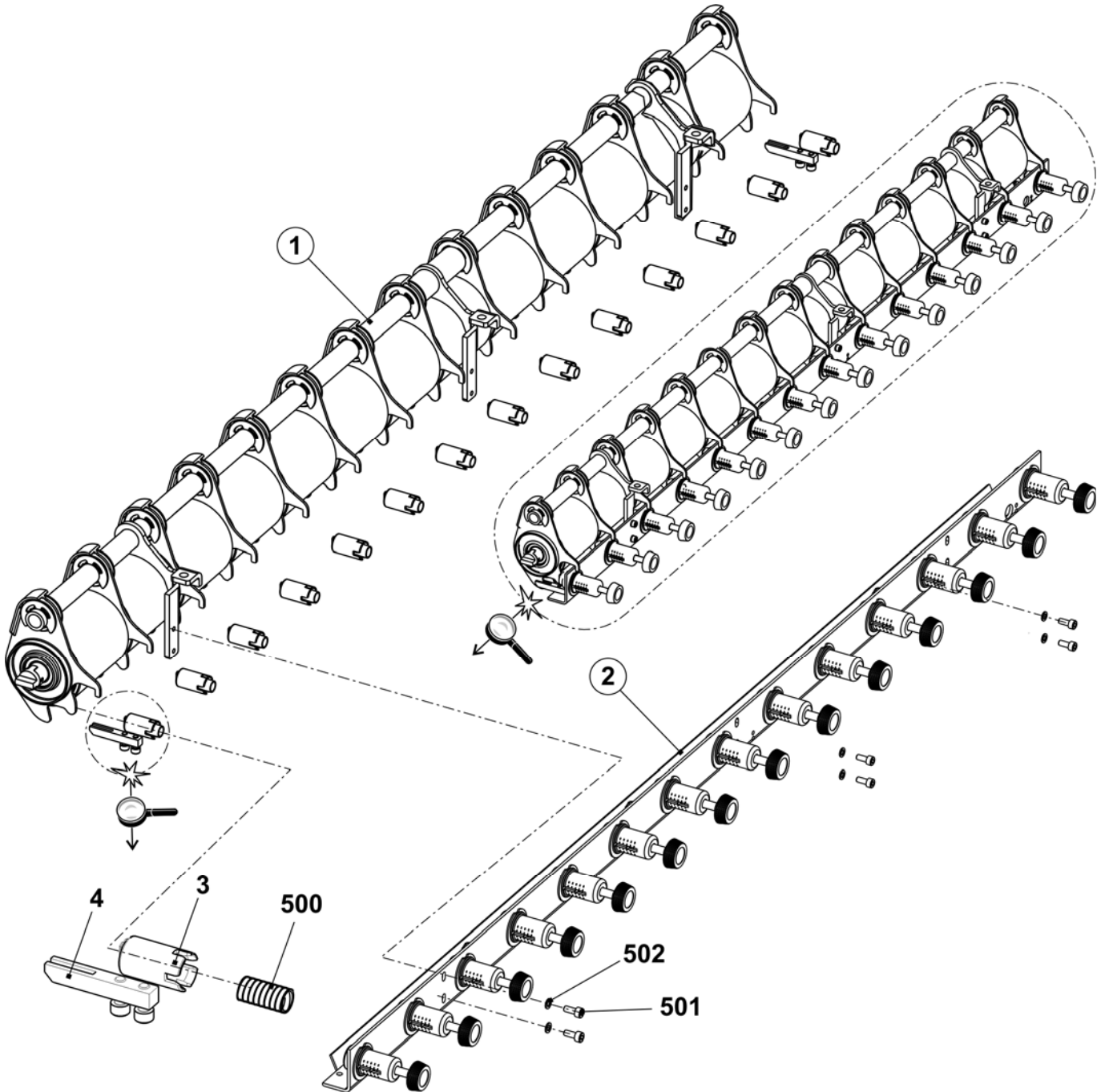
## Rear take-down roller

Pos	Designation	ID	Pos	Designation	ID
<b>Σ</b>	<b>Take-down roller at the rear co. E7 + E8 + E10 + E12 + E14</b>	<b>253 853</b>			
1	Ring on the left	250 573	7	Roller E5-14	206 770
2	Stop ring on the left	204 369	8	Spacer slide	222 062
3	Shaft	221 011	9	Brush	225 819
4	Stripper	241 612	12	Rod	253 301
5	Spacer slide	240 104	500	Setting pin 6x32	020 685
6	Ring on the right	250 574	501	Set screw M10x15	020 635



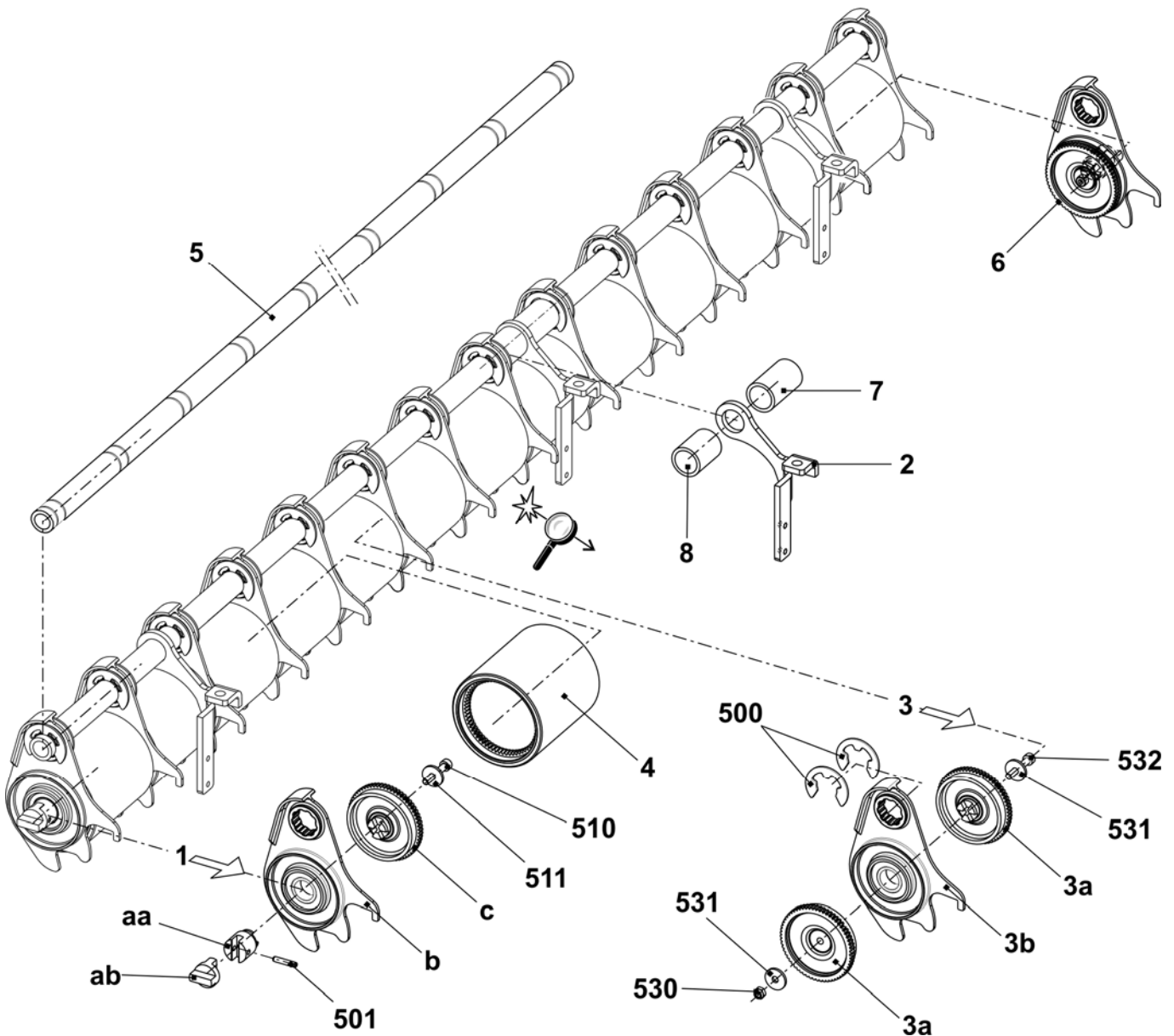
## Front take-down roller

Pos	Designation	ID	Pos	Designation	ID
$\Sigma$	Take-down roller at the front co.	241 426	4	Fixed piece	221 935
1	Take-down roller at the front	221 243	500	Compression spring 1x10x30	023 741
2	Angle rail co.	241 425	501	Cap screw M5x12	020 132
3	Pressure sleeve	220 911	502	U-washer 5-200	020 880



**Front roller elements**

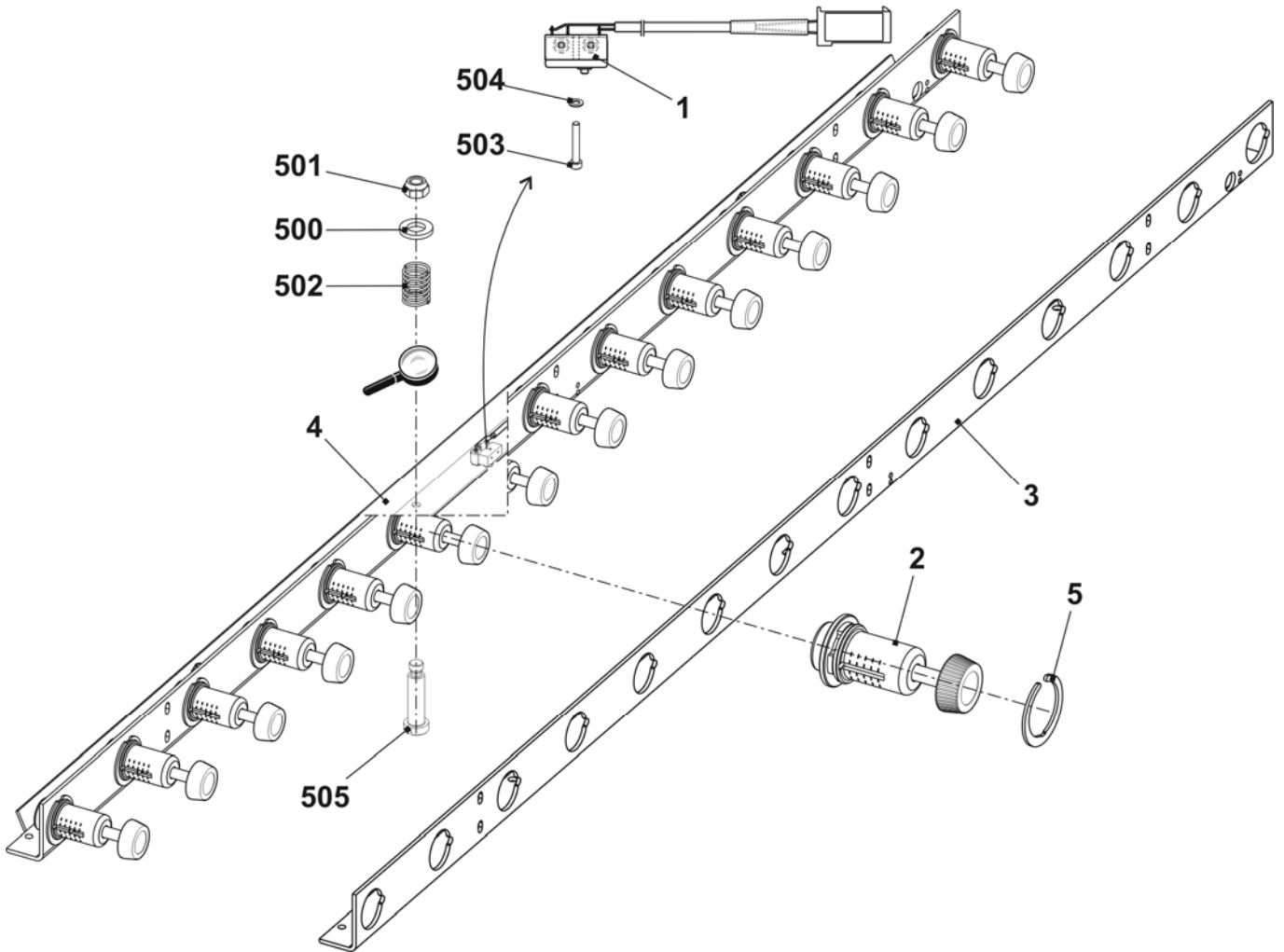
Pos	Designation	ID	Pos	Designation	ID
<b>Σ</b>	<b>Take-down roller at the front</b>	<b>221 243</b>			
1	Bearing support on the left co.	221 225	4	Roller	220 905
	aa Universal joint	221 137	5	Tube	221 092
	ab Adaptor	221 132	6	Bearing support on the right co.	221 240
	b Bearing support	220 913	aa Universal joint	221 137	
	c Gear wheel	220 910	ab Adaptor	221 132	
	501 Spring dowel sleeve 4x20	023 551	b Bearing support	220 913	
	510 Cap screw M5x20	020 133	c Gear wheel	220 910	
	511 U-washer 5	023 542	501 Spring dowel sleeve 4x20	023 551	
2	Support	251 557	510 Cap screw M5x20	020 133	
3	Bearing support co.	221 241	511 U-washer 5	023 542	
	3b Bearing support	220 913	7	Distance pipe on the right	253 407
	3a Gear wheel	220 910	8	Distance pipe on the left	253 408
	530 Hexagon nut M5	023 541	500	Circlip	021 025
	531 Washer 5-100hv	023 542			
	532 Cap screw M5x30	022 396			



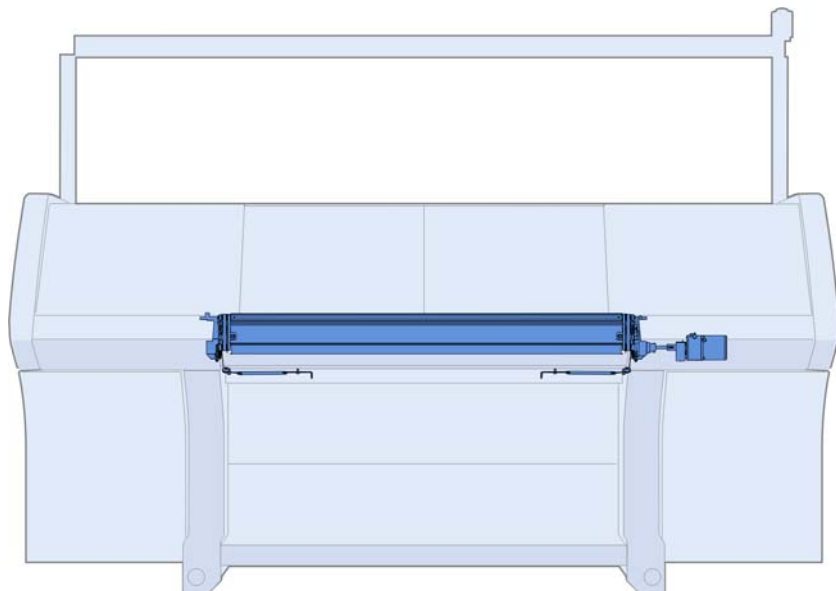


## Pressure angle rail

Pos	Designation	ID	Pos	Designation	ID
$\Sigma$	Angle rail co.	241 425	500	U-washer 6-200	022 431
1	Switch co. with cable	221 265	501	Hexagon nut M5-8	023 541
2	Spring flange	242 327	502	Compression spring 0.8x9.2x27.5	023 537
3	Angle rail	241 773	503	Cap screw M2x12	023 522
4	Winding plate	221 101	504	U-washer 2-200	022 908
5	Locking ring	242 325	505	Shoulder screw M5x20x5	023 675

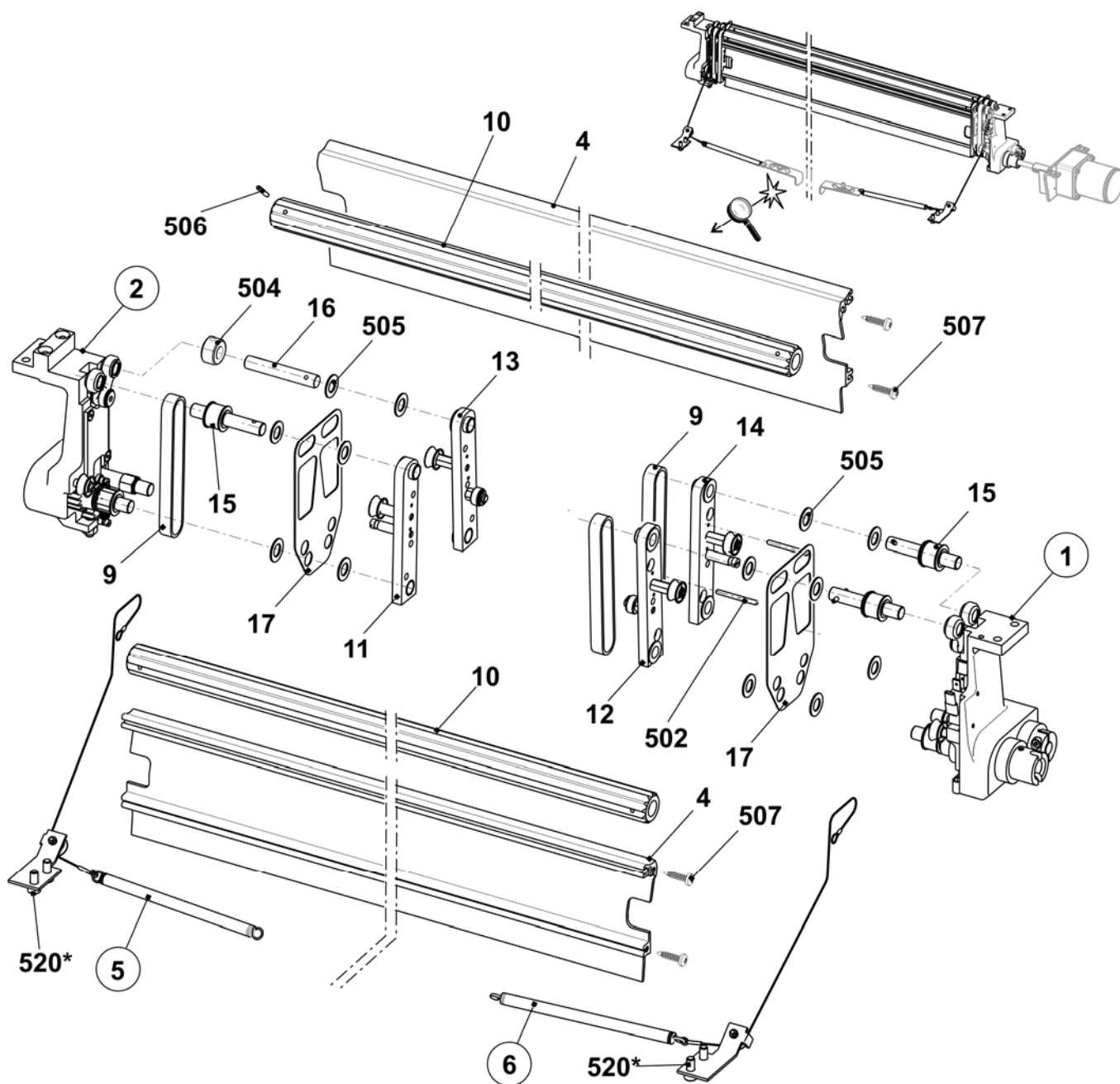


## Auxiliary take-down



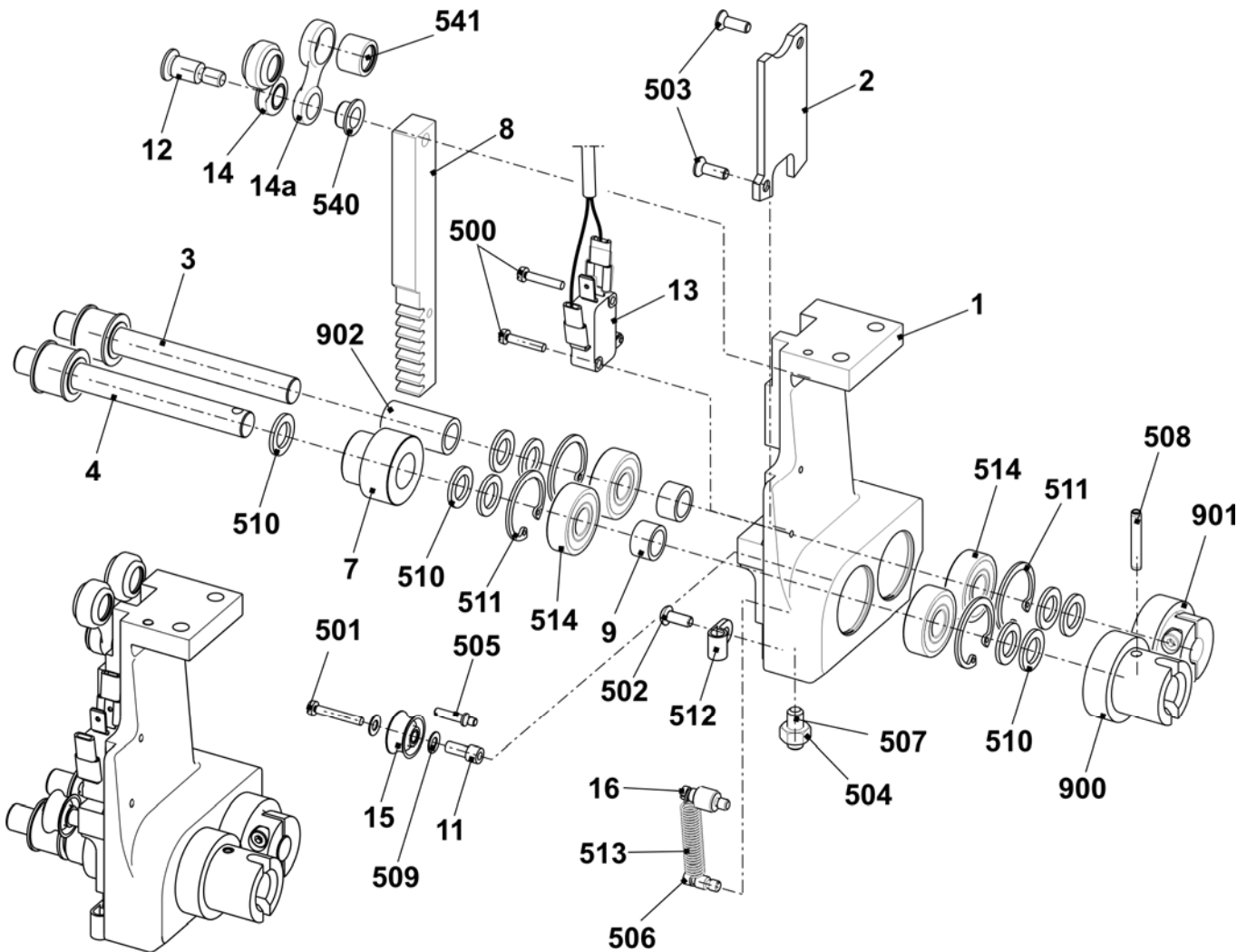
## Auxiliary take-down pre-assembled

Pos	Designation	ID	Pos	Designation	ID
<b>Σ</b>	<b>Auxiliary take-down pre-assembled</b>	<b>254 063</b>			
1	Bearing on the right co.	243 564	14	Lever at the rear on the right	227 260
2	Bearing on the left co.	239 999	15	Timing belt pulley co.	226 708
4	Guide plate	213 362	16	Bolt	227 914
5	Angular sheet metal on the left co.	225 013	17	Protective plate	225 754
6	Angular sheet metal on the right co.	225 014	502	Shoulder screw M3x27x32	023 634
9	Toothed belt 10T5/260	208 832	504	Set collar	020 934
10	Take-down roller	224 891	505	Stop disc	023 646
11	Lever at the front on the left	227 263	506	Spring dowel sleeve 3x20	020 776
12	Lever at the front on the right	227 262	507	Sheet metal screw St4.8x22-	023 259
13	Lever at the rear on the left	227 261	520*	Cap screw M6x12	020 134



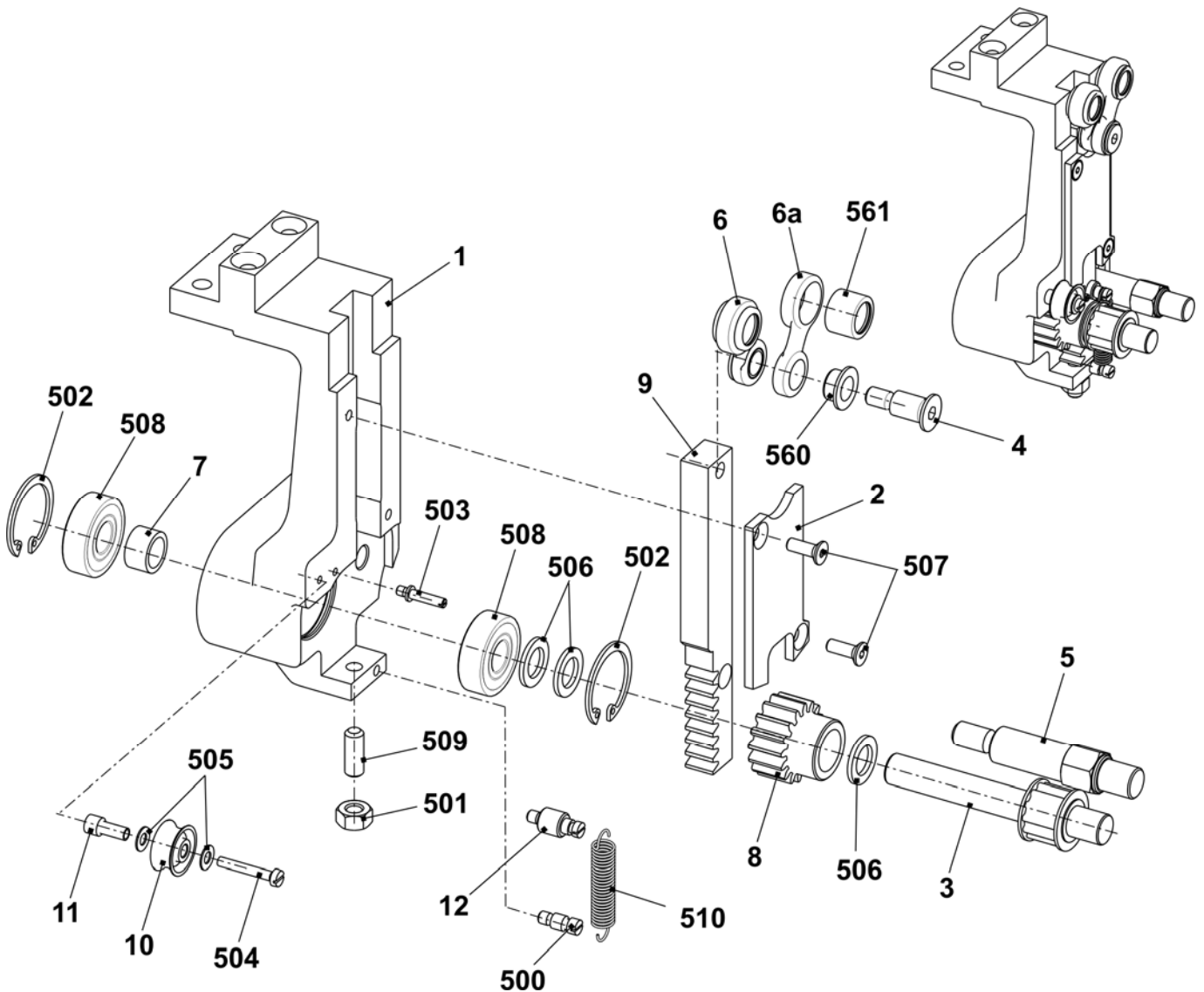
## Right bearing of the auxiliary take-down

Pos	Designation	ID	Pos	Designation	ID
<b>Σ</b>	<b>Bearing on the right co.</b>	<b>243 564</b>			
1	Bearing block on the right	239 967	501	Cap screw M3x20	022 448
2	Cover	224 881	502	Countersunk screw M4x10	023 450
3	Drive shaft co.	227 857	503	Countersunk head screw M4x12	023 062
4	Drive shaft co.	227 853	504	Hexagon nut M6-6	020 836
7	Gear wheel on the right co.	218 524	505	Threaded bolt with shoulder	243 226
8	Gear rack on the right	239 218	506	Shoulder screw M4x9x14	020 602
9	Spacer	229 683	507	Set screw M6x16-45	023 092
11	Sleeve	239 997	508	Spiral pin 4x24	023 544
12	Collar bolt	210 551	509	Adjusting washer 4x8x0.5	023 384
13	Cable with switch auxiliary take-down okc	243 142	510	Adjusting washer 10x16x1.5	023 261
14	Connecting rod co.	226 710	511	Locking ring 26x1.2	023 359
14a	Connecting rod	226 696	512	Cable clip 255/5,2	008 335
540	Slide bearing GFM-081014-06	023 358	513	Tension spring 7.5x0.7x28	023 595
541	Needle roller bearing HK1010	023 664	514	Ball bearing 6000-2Z	022 599
15	Roller deflector	218 805	900	Gear wheel M=1.5, Z=20	213 880
16	Shoulder screw	239 215	901	Gear wheel M=1.5, Z=20	210 504
500	Cap screw M3x16	022 560	902	Sleeve	227 257



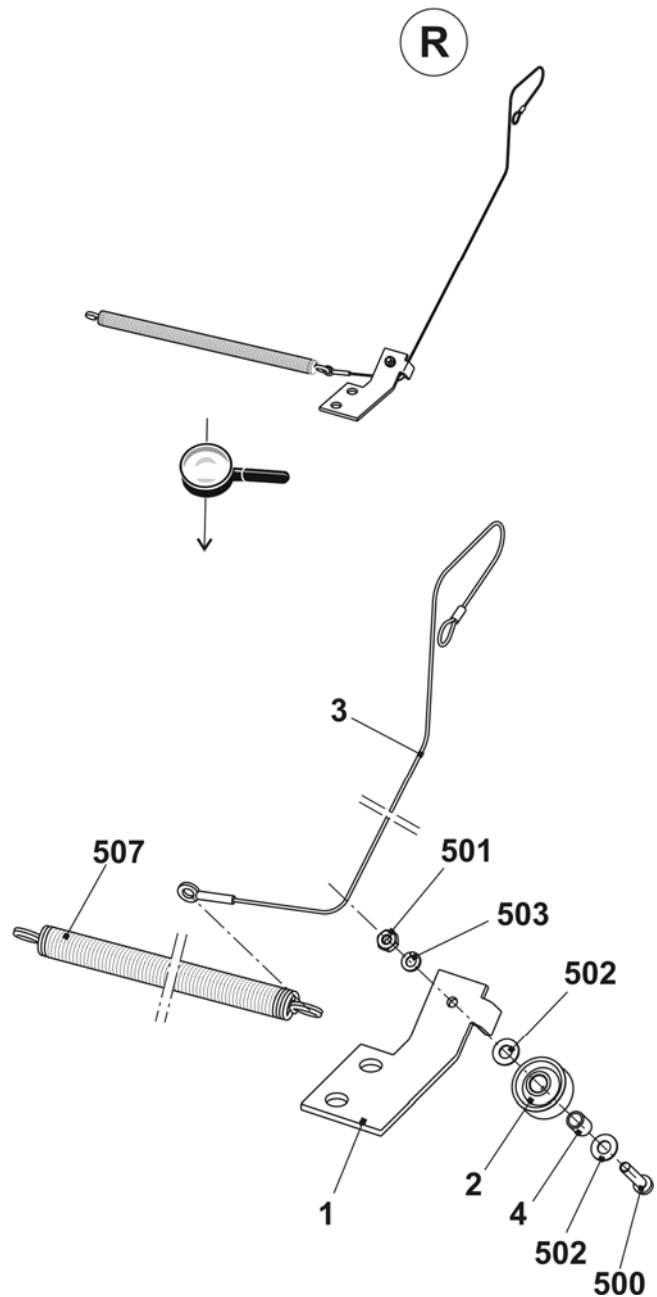
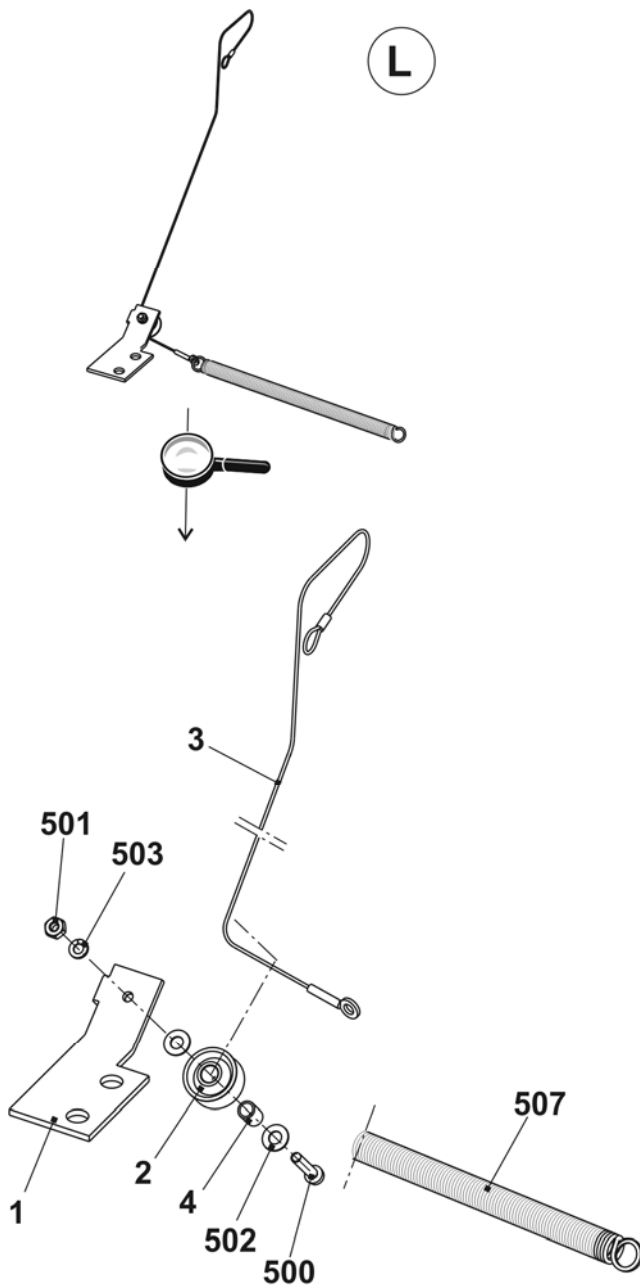
## Left bearing of the auxiliary take-down

Pos	Designation	ID	Pos	Designation	ID
<b>Σ</b>	<b>Bearing on the left</b>	<b>239 999</b>	11	Sleeve	239 997
1	Bearing block on the left	240 001	12	Shoulder screw	239 215
2	Cover	224 881	500	Shoulder screw M4x9x14	020 602
3	Drive shaft co.	227 887	501	Hexagon nut M6-6	020 836
4	Collar bolt	210 551	502	Locking ring 26x1.2	023 359
5	Bolt	226 705	503	Threaded bolt with shoulder	243 226
6	Connecting rod co.	226 710	504	Cap screw M3x20	022 448
6a	Connecting rod	226 696	505	Adjusting washer 4x8x0.5	023 384
560	Slide bearing GFM-081014-06	023 358	506	Adjusting washer 10x16x1.5	023 261
561	Needle roller bearing HK1010	023 664	507	Countersunk head screw M4x12	023 062
7	Spacer	229 683	508	Ball bearing 6000-2Z	022 599
8	Gear wheel on the left co.	218 523	509	Set screw M6x16-45	023 092
9	Gear rack on the left	239 216	510	Tension spring 7.5x0.7x28	023 595
10	Roller deflector	218 805			



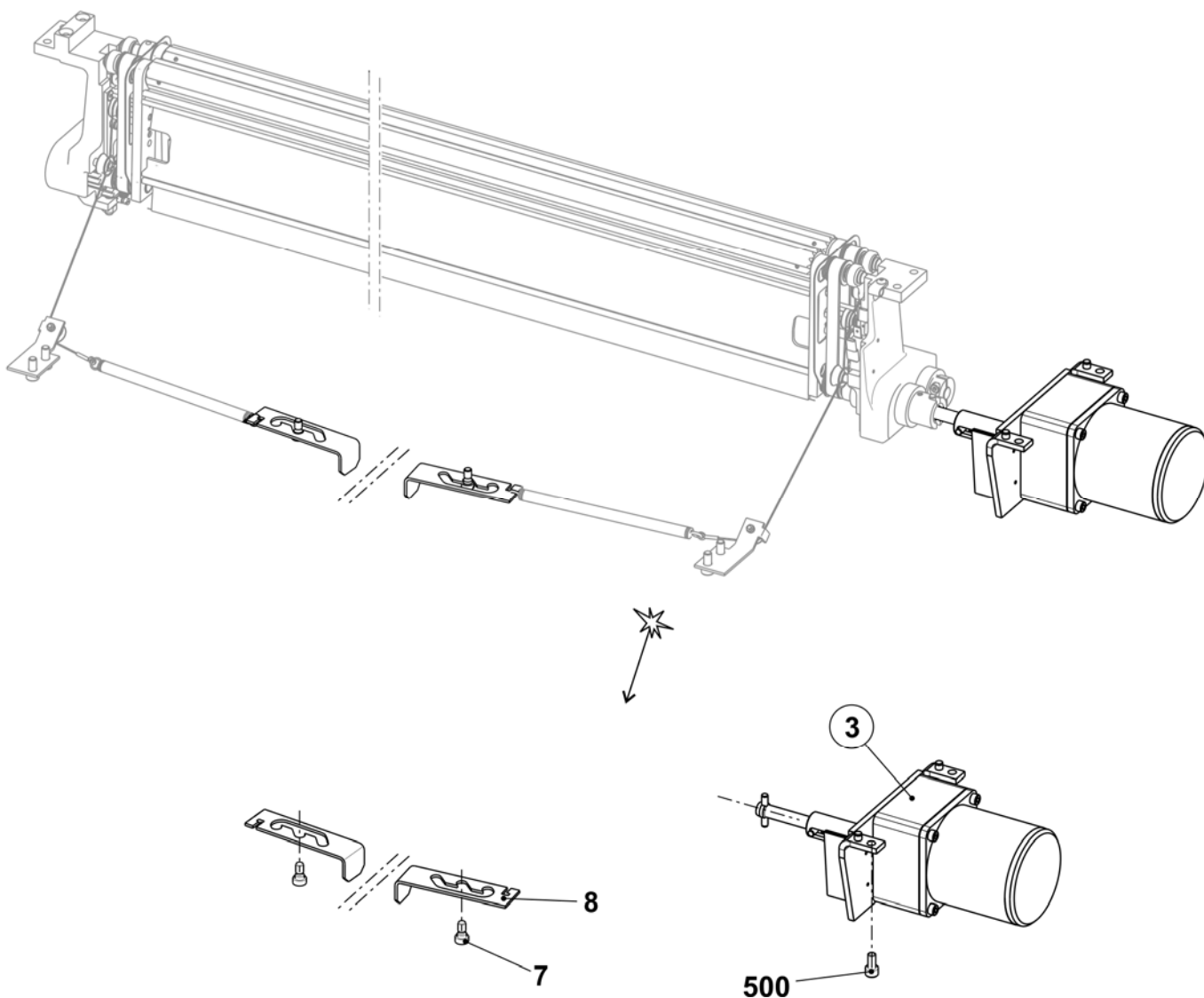
## Angular sheet metal on the left and right co.

Pos	Designation	ID	Pos	Designation	ID
<b>Σ L</b>	<b>Angular sheet metal on the left co.</b>	<b>225 013</b>	<b>Σ R</b>	<b>Angular sheet metal on the right co.</b>	<b>225 014</b>
1	Angular sheet metal on the left	224 920	1	Angular sheet metal on the right	224 931
2	Roller deflector	218 805	2	Roller deflector	218 805
3	Fine cable	224 977	3	Fine cable	224 977
4	Sleeve	227 867	4	Sleeve	227 867
500	Cap screw M3x16	022 560	500	Cap screw M3x16	022 560
501	Hexagon nut M3-6	022 564	501	Hexagon nut M3-6	022 564
502	Adjusting washer 4x8x0.5	023 384	502	Adjusting washer 4x8x0.5	023 384
503	Spring washer A3	021 005	503	Spring washer A3	021 005
507	Tension spring 8x0.9x75	021 287	507	Tension spring 8x0.9x75	021 287



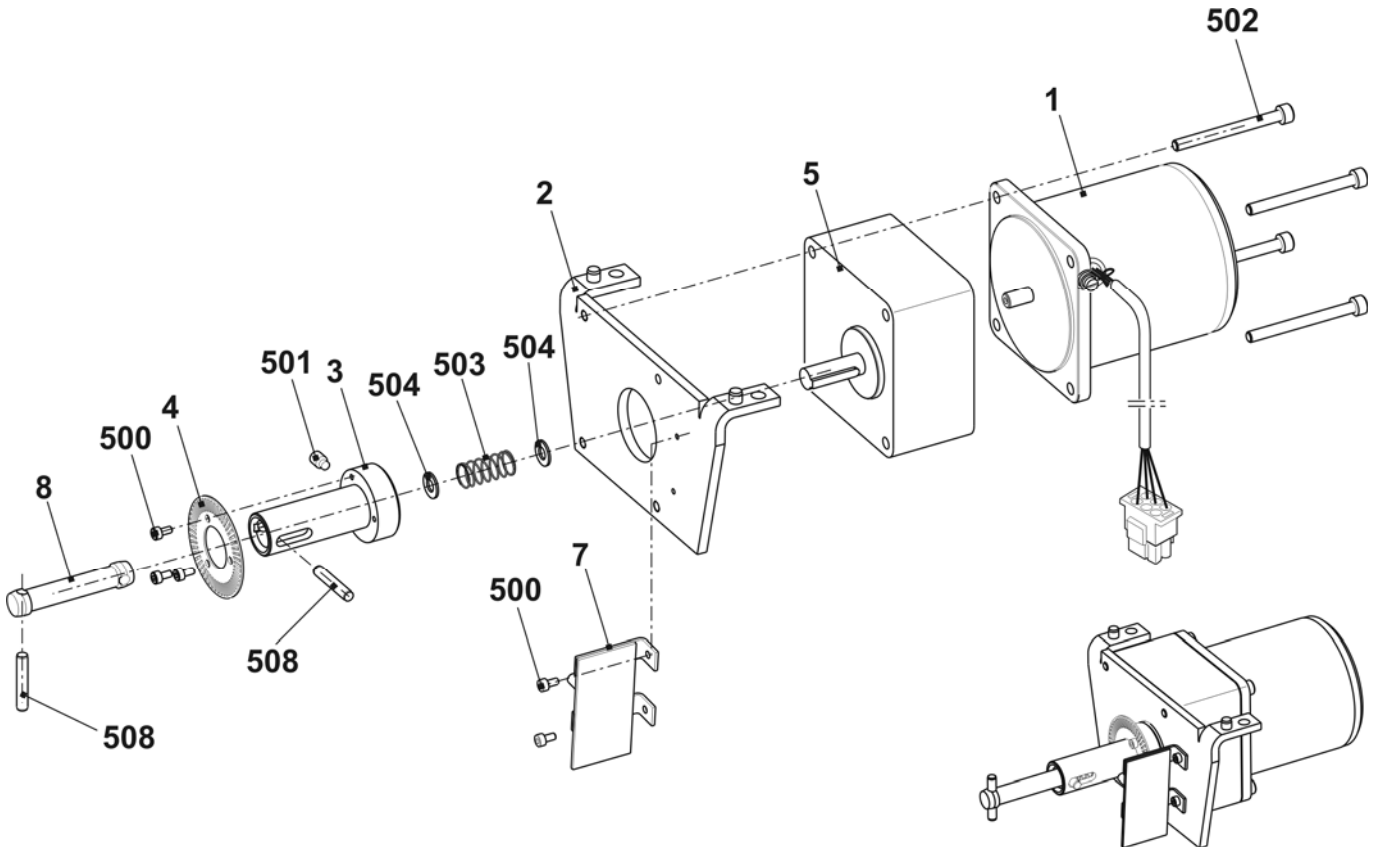
## Auxiliary take-down remaining parts

Pos	Designation	ID	Pos	Designation	ID
$\Sigma$	<b>Auxiliary take-down remaining parts</b>	<b>254 064</b>			
3	Take-down motor co. auxiliary take-down	244 291	8	Detent plate	222 040
7	Shoulder screw	207 101	500	Cap screw M6x12	020 134



## Motor

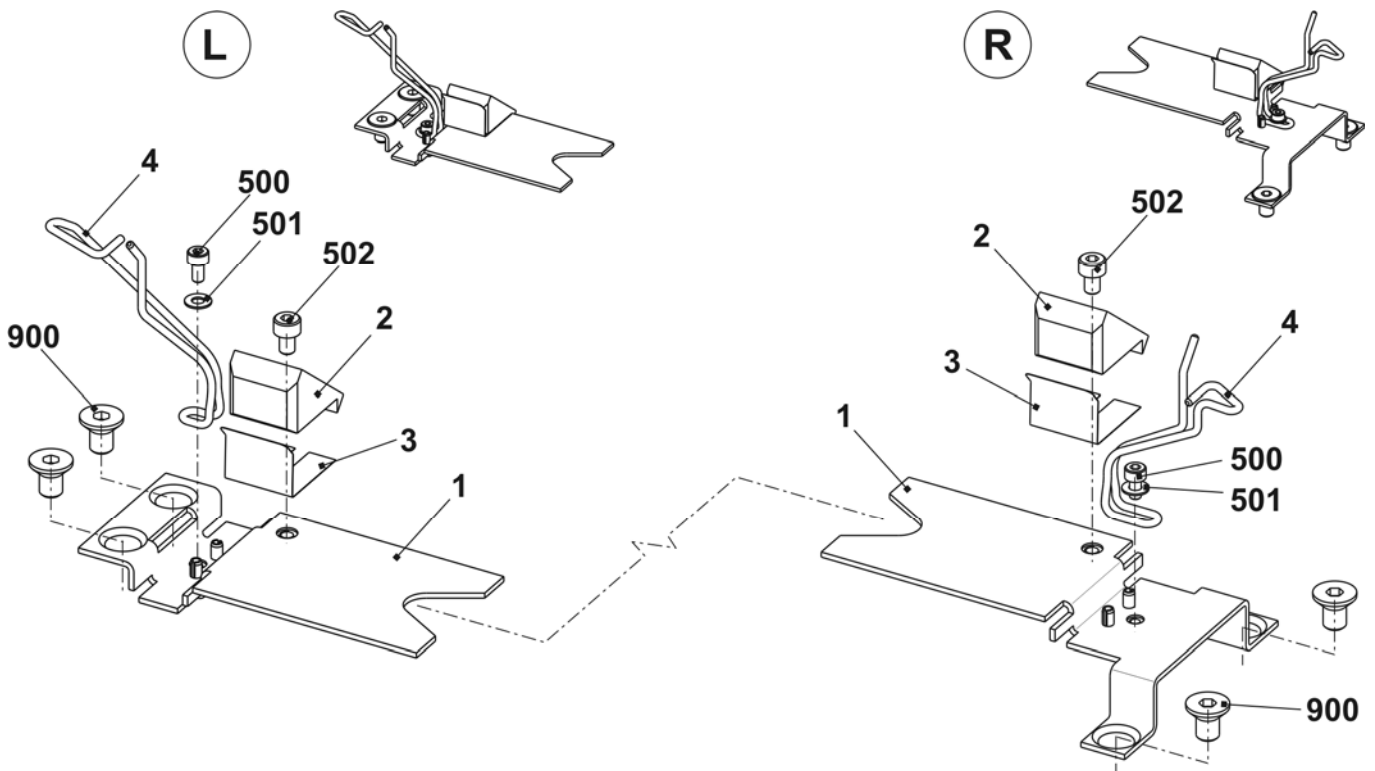
Pos	Designation	ID	Pos	Designation	ID
<b>Σ</b>	<b>Motor auxiliary take-down co.</b>	<b>244 291</b>	8	Shaft	219 025
1	Motor auxiliary take-down	213 871	500	Cap screw M3x6	022 589
2	Motor bracket	244 279	501	Set screw M6x10	023 543
3	Drive sleeve	219 024	502	Cap screw M5x55	023 321
4	Impulse disc	218 449	503	Compression spring 0.63x10.97x40	023 500
5	Gear 4GN36K	220 353	504	Adjusting washer 6x12x1	023 444
7	Photoelectric sensor Auxiliary take-down	217 462	508	Dowel pin 5x28	241 686



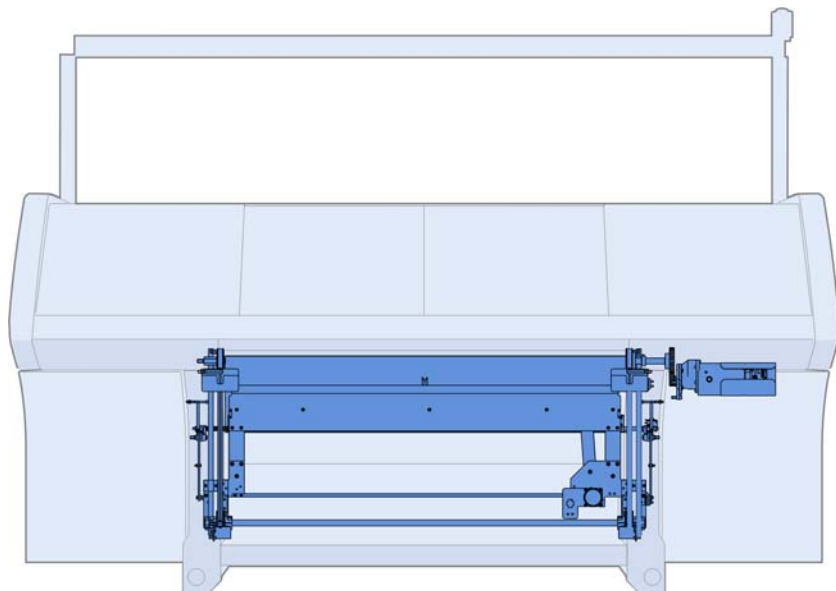


## Yarn brake

Pos	Designation	ID	Pos	Designation	ID
<b>Σ L</b>	<b>Yarn brake on the left</b>	<b>243 211</b>	<b>Σ R</b>	<b>Yarn brake on the right</b>	<b>243 212</b>
1	Cover on the left	243 209	1	Cover on the left	243 210
2	Clamping part	232 547	2	Clamping part	232 547
3	Leaf spring	232 548	3	Leaf spring	232 548
4	Yarn guide bow on the left	243 207	4	Yarn guide bow on the left	243 208
500	Cap screw M3x6	022 589	500	Cap screw M3x6	022 589
501	U-washer 3	022 806	501	U-washer 3	022 806
502	Cap screw M4x6	023 067	502	Cap screw M4x6	023 067
900	Countersunk screw M6x10	023 016	900	Countersunk screw M6x10	023 016

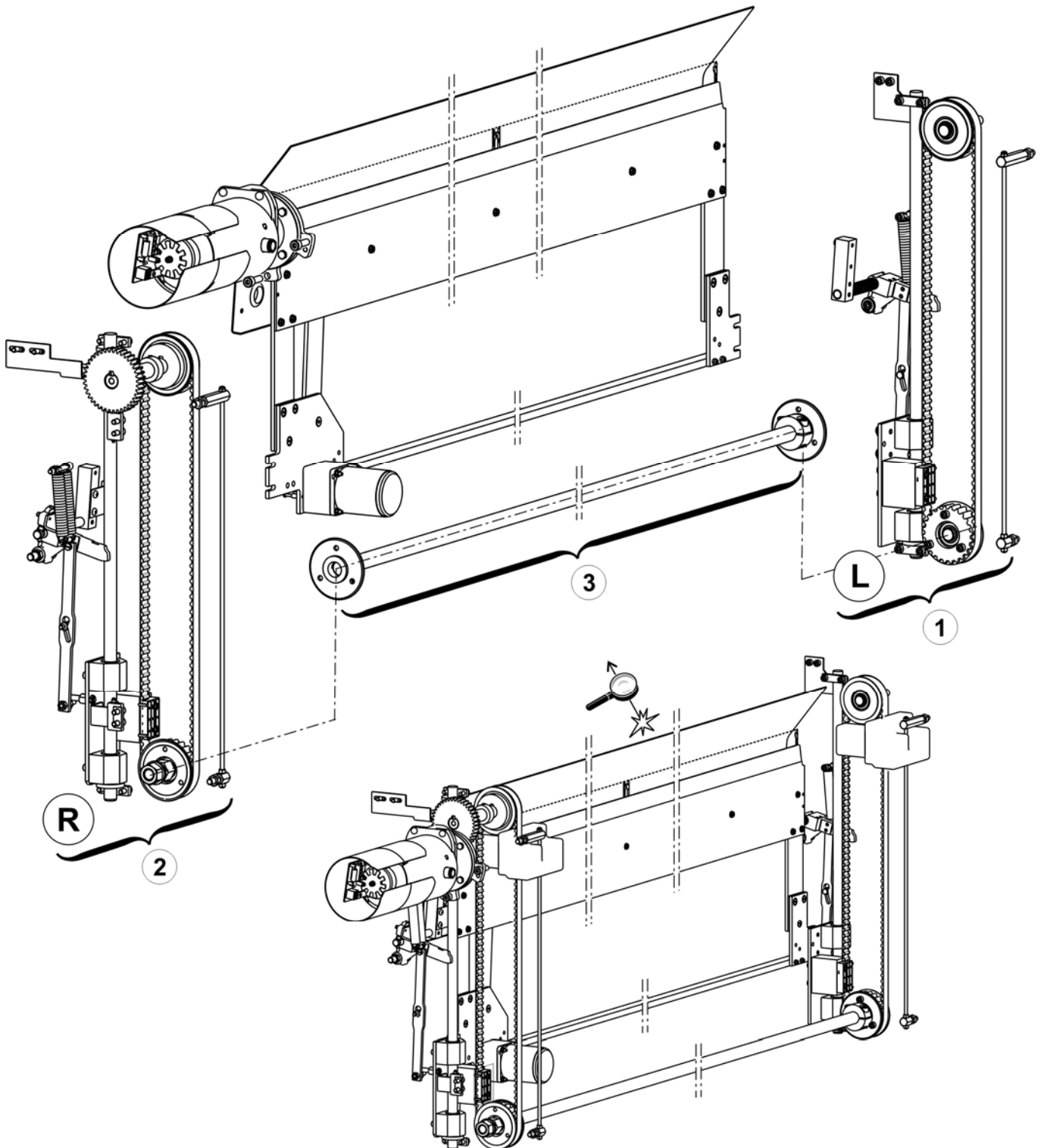


## Comb take-down



## Comb take-down

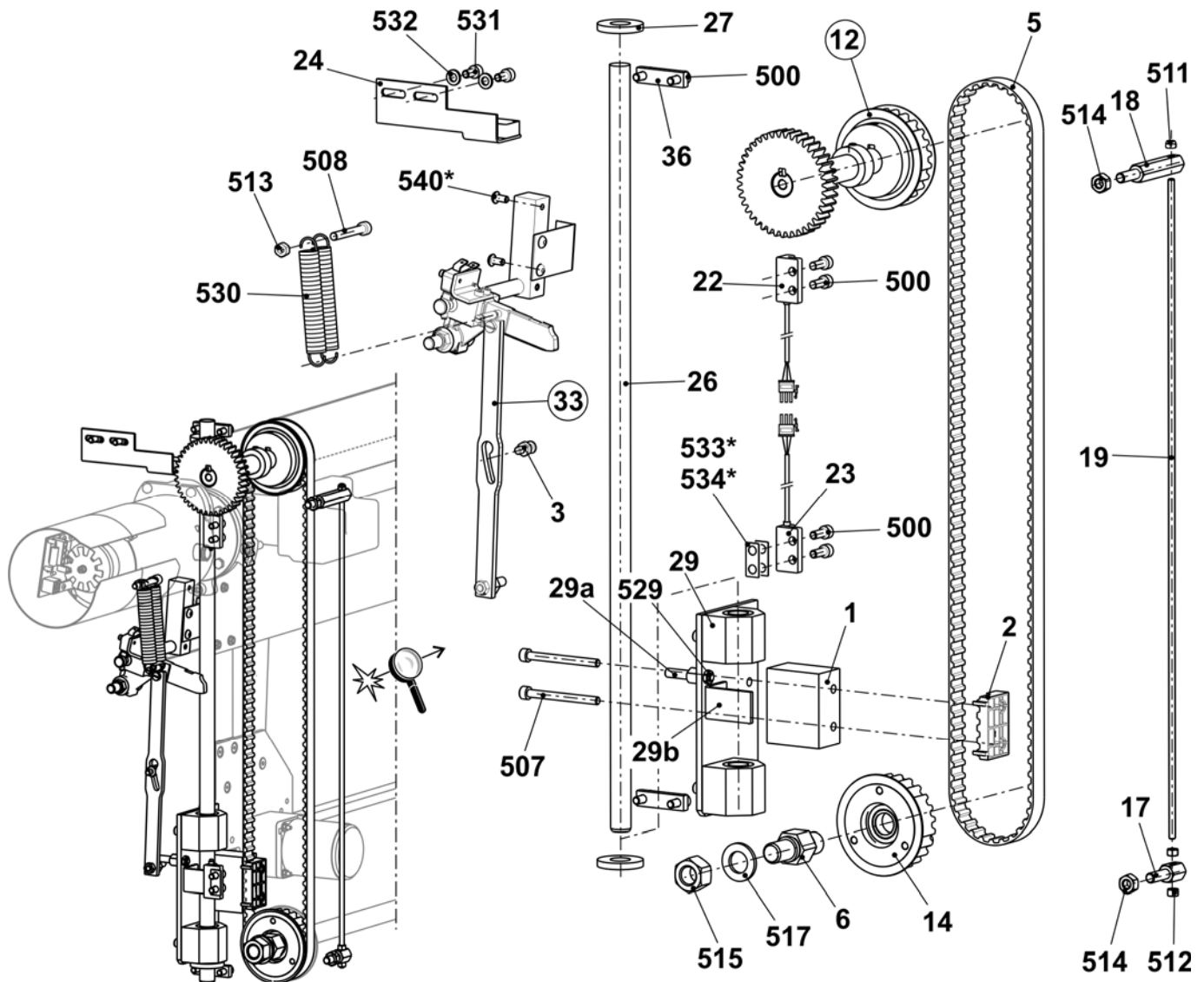
Pos	Designation	ID	Pos	Designation	ID
$\Sigma$	<b>Comb take-down</b>				
1	Comb take-down left	253 520	3	E8	253 588
2	Comb take-down right	253 521		E10	253 589
3	Comb take-down in the middle	E7		E12	253 522
				E14	253 590





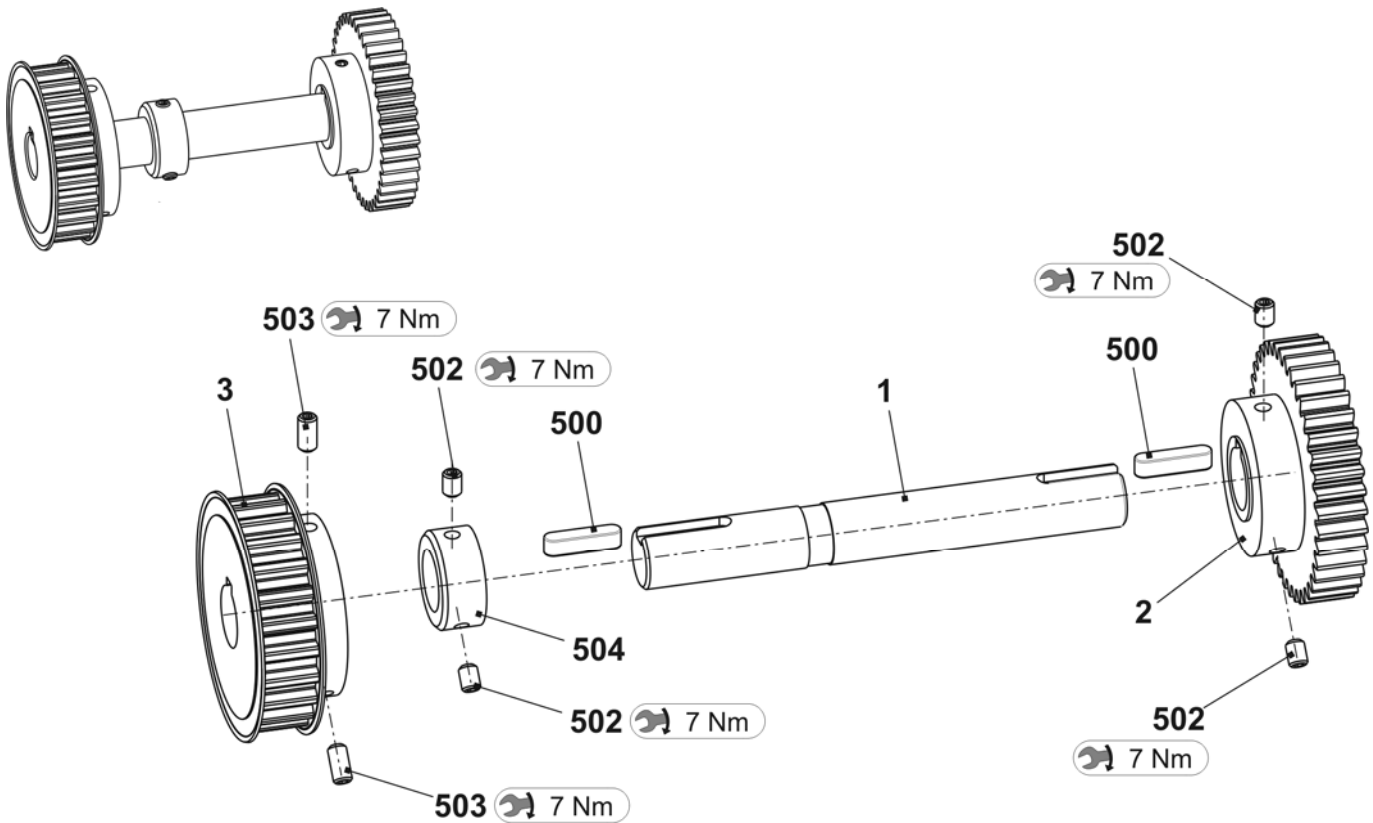
## Comb take-down right

Pos	Designation	ID	Pos	Designation	ID
<b>Σ</b>	<b>Comb take-down right</b>	<b>253 521</b>			
1	Clamping part	209 379	529	Hexagon nut M8-6	020 838
2	Presser plate	241 967	33	Swivel lever on the right	252 858
3	Bolt	222 152	36	Clamping plate	227 159
5	Toothed belt 16T10/1300	240 065	500	Cap screw M6x16	020 135
6	Eccentric pin	222 320	507	Cap screw M6X65	240 162
12	Drive shaft comb co.	214 583	508	Cap screw M6x45	022 689
14	Timing belt pulley at the bottom co.	211 822	511	Hexagon nut M5-8	023 541
17	Stay bolt	222 315	512	Hexagon nut M5-6	020 835
18	Stay bolt	240 056	513	Hexagon nut M6-6	020 836
19	Threaded rod M5	240 057	514	Hexagon nut M8-6	020 838
22	Proximity switch inductive at the top	231 516	515	Hexagon nut M16-6	020 845
23	Proximity switch inductive at the bottom	231 520	517	U-washer 16	020 876
24	Photoelectric sensor co.	253 534	530	Tension spring 15x1.50x70.94	251 614
26	Guide bar C35	206 560	531	Cap screw M6x12	020 134
27	Rubber buffer	206 561	532	U-washer 6	020 872
29	Comb guide on the right	255 424	533*	Shim 0.2x12x27	023 735
29a	Pulling pin	255 427	534*	Shim 0.5x12x27	023 736
29b	Angle	240 112	540*	Countersunk screw M5x10	023 247



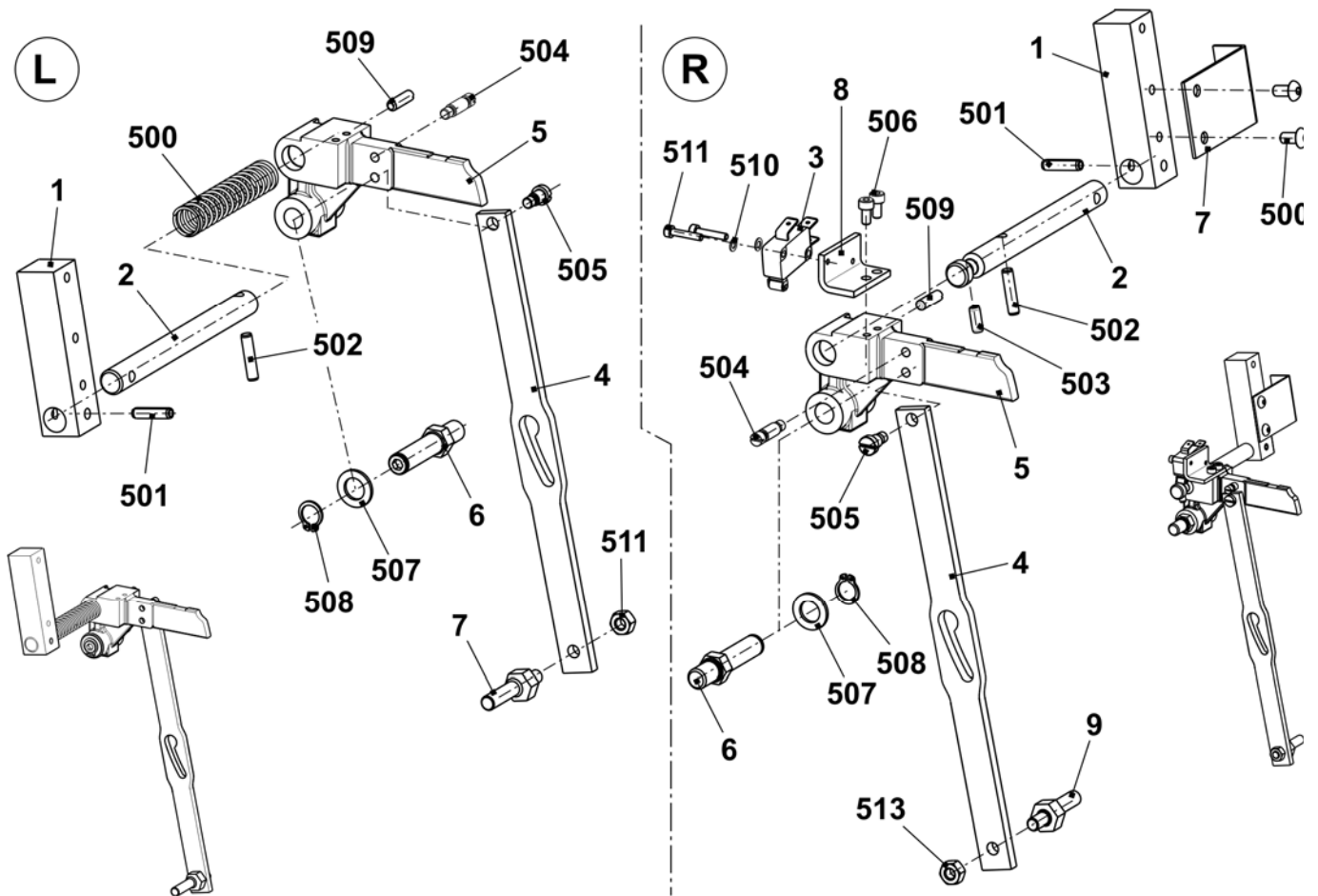
## Drive shaft of comb

Pos	Designation	ID	Pos	Designation	ID
<b>Σ</b>	<b>Drive shaft of comb co.</b>	<b>214 583</b>			
1	Shaft	213 969	500	Feather key A 6x6x25	023 017
2	Gear wheel z=40, m=2 Always order pos. 502 additionally	213 744	502	Set screw M6x8	022 684
3	Timing belt pulley at the top Always order pos. 503 additionally	206 394	503	Set screw M6x12	023 898
			504	Set collar	020 938



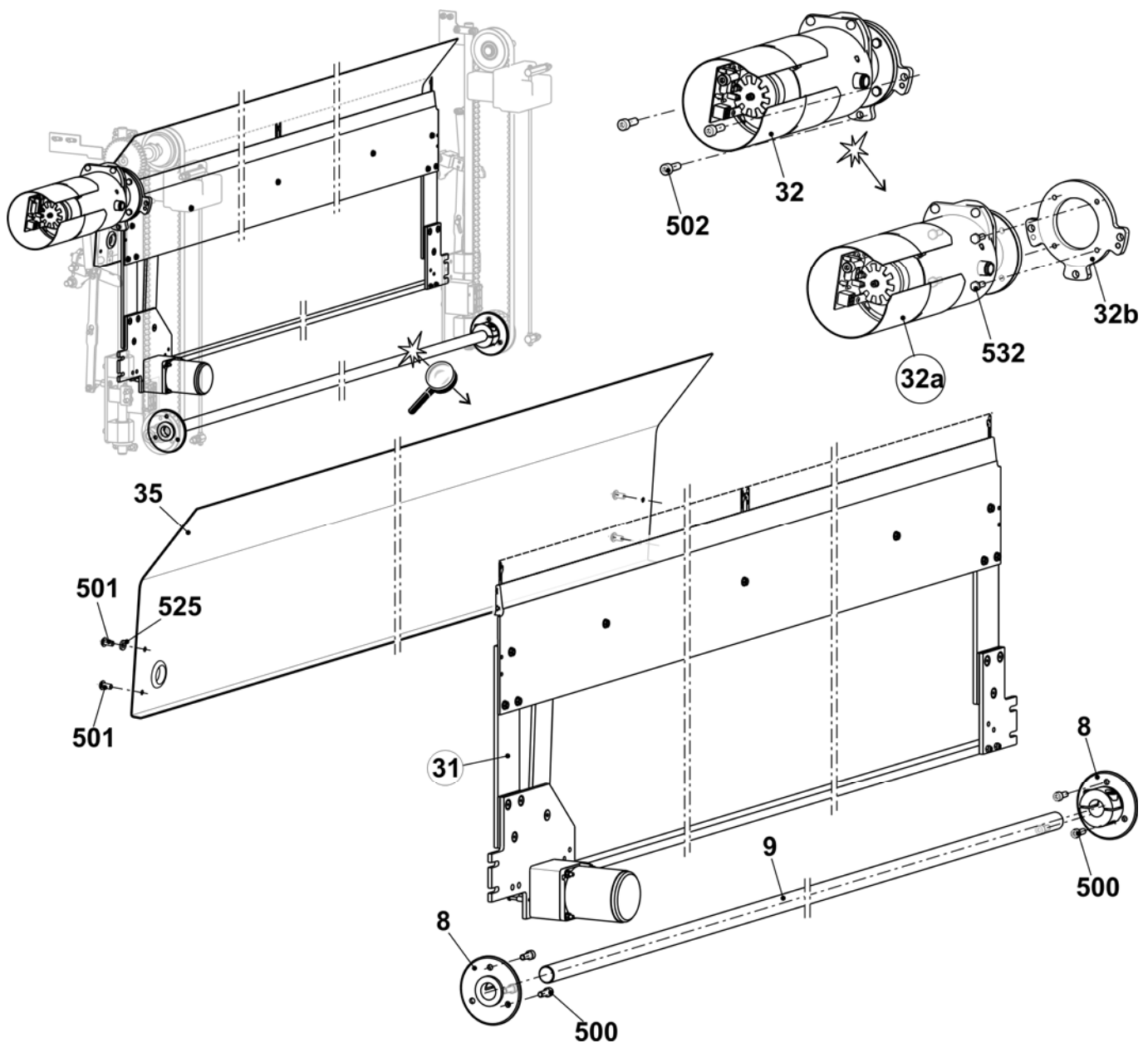
## Swivel lever comb take-down

Pos	Designation	ID	Pos	Designation	ID
<b>Σ L</b>	<b>Swivel lever on the left</b>	<b>252 859</b>	<b>Σ R</b>	<b>Swivel lever on the right</b>	<b>252 858</b>
1	Support	252 780	1	Support	252 780
2	Shaft	223 994	2	Shaft	238 339
4	Plunger	255 650	3	Microswitch	026 259
5	Swivel lever	239 248	4	Plunger	255 650
6	Bolt	214 053	5	Swivel lever	239 248
7	Eccentric bolt	255 651	6	Bolt	214 053
500	Compression spring 1.4x13.6x93	023 572	7	Angle	224 009
501	Spring dowel sleeve ISO8752-5x20	020 794	8	Angle	238 304
502	Dowel pin 5x22	023 716	9	Eccentric bolt	255 651
504	Shoulder screw M5x29x35	251 618	500	Countersunk screw M5x10	023 247
505	Shoulder screw M5x5.8x6.2	023 365	501	Spring dowel sleeve 5x20	020 794
507	U-washer 10	020 884	502	Dowel pin 5x22	023 716
508	Locking ring	020 950	503	Spring dowel sleeve 5x12	020 793
509	Shoulder screw M5x12x18	020 539	504	Shoulder screw M5x29x35	251 618
511	Hexagon nut M8-6	020 838	505	Shoulder screw M5x5.8x6.2	023 365
			506	Cap screw M4x8	022 501
			507	U-washer 10	020 884
			508	Locking ring 10x1	020 950
			509	Shoulder screw M5x12x18	020 539
			510	Cap screw M3x16	022 583
			511	U-washer 3	020 877
			513	Hexagon nut M8-6	020 838



## Comb take-down in the middle

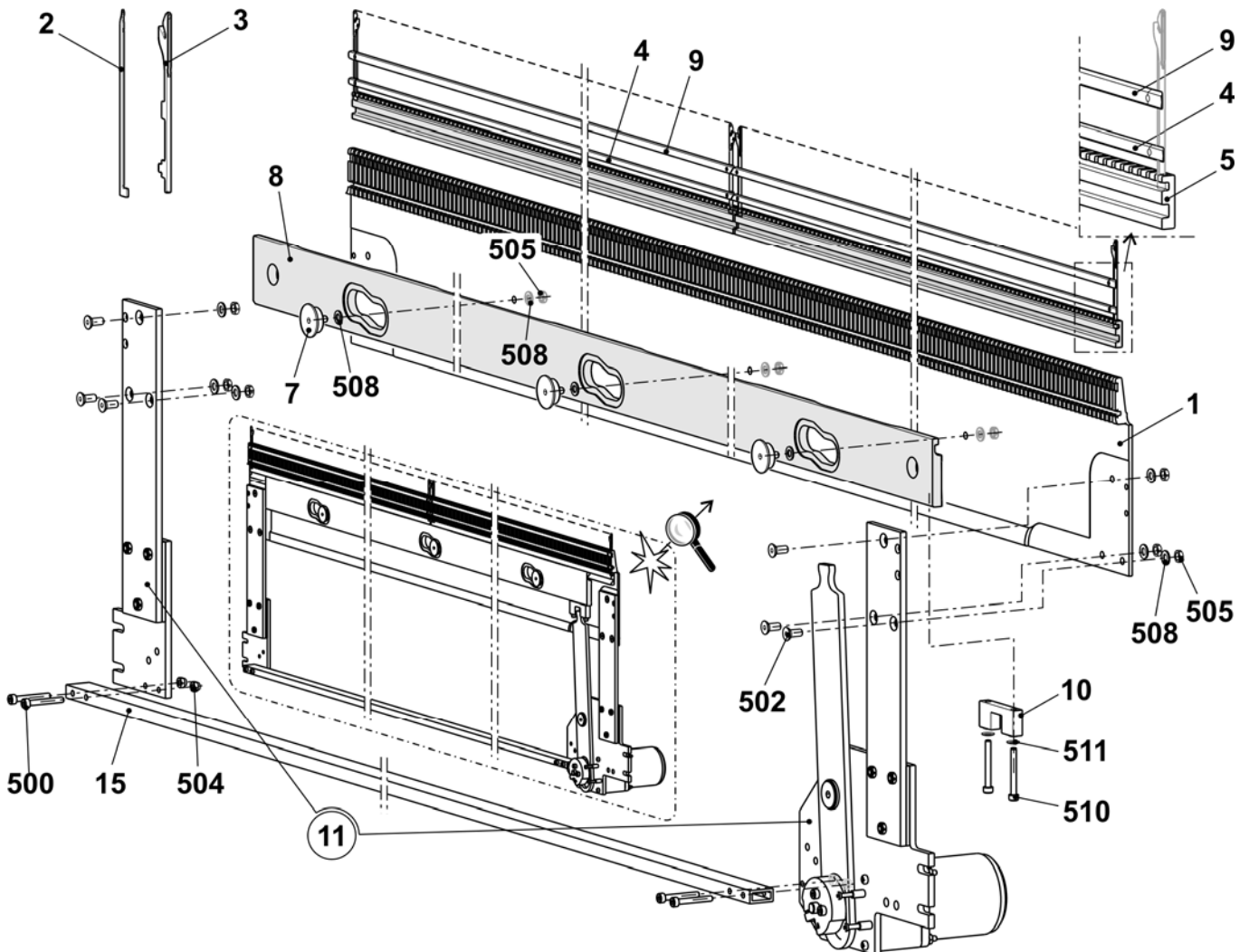
Pos	Designation	ID	Pos	Designation	ID
$\Sigma$	<b>Comb take-down in the middle</b>		31	Comb unit	
	E7	253 587	E7		241 531
	E8	253 588	E8		241 532
	E10	253 589	E10		241 533
	E12	253 522	E12		240 061
	E14	253 590	E14		241 534
8	Flange	207 695	32	Motor take-down unit co.	253 803
9	Shaft long	213 968	32a	Motor take-down unit + comb	214 279
500	Cap screw M6x16	020 135	32b	Flange	241 754
501	Countersunk screw M5x10	023 247	532	Hexagon screw M6x16	020 356
502	Cap screw M8X25	020 142	35	Guide plate	252 828
525	Serrated lock washer J5.3	022 489			





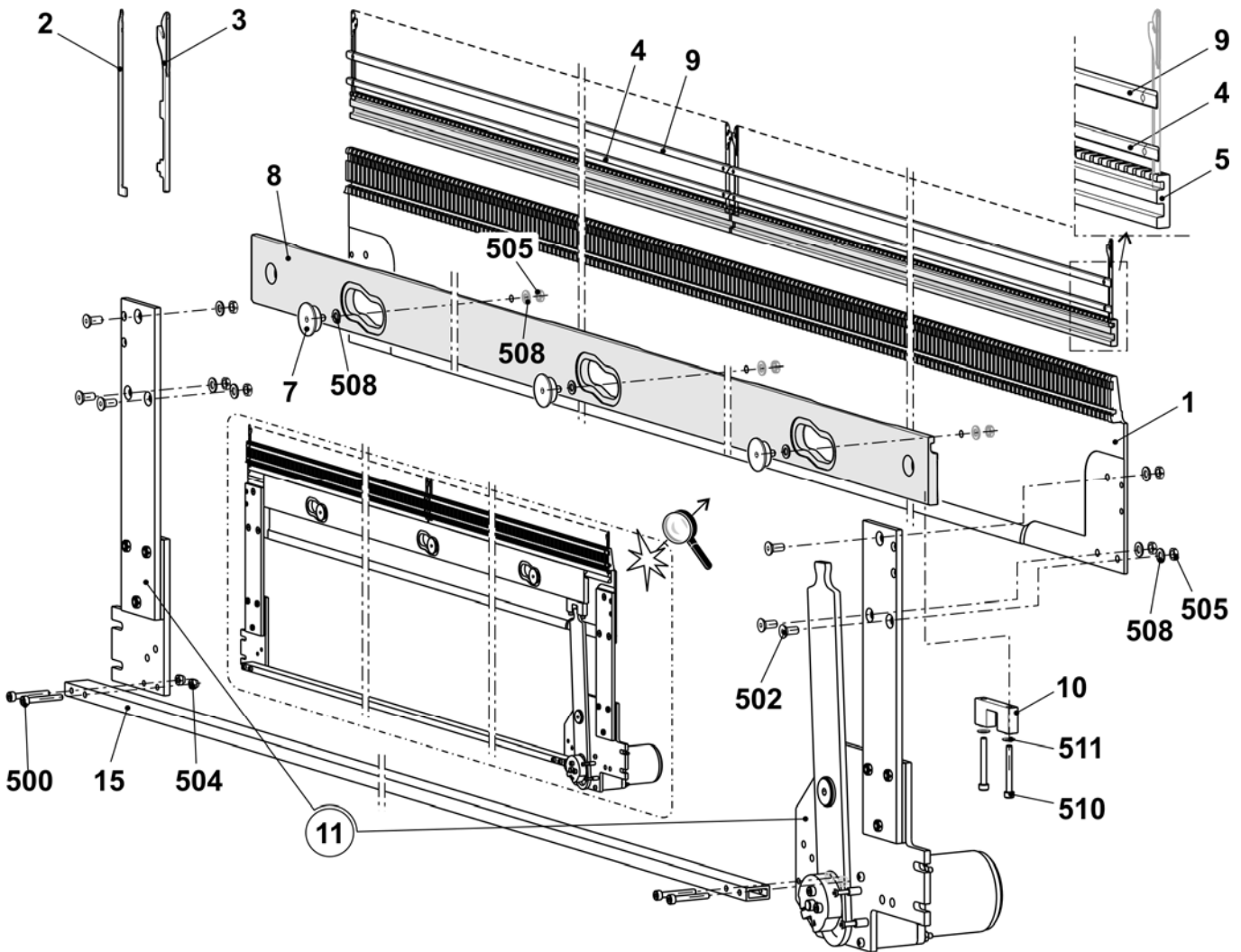
## Comb unit E7 + E8 + E10

Pos	Designation	ID	Pos	Designation	ID
$\Sigma$	<b>Comb unit</b>		5	Hook slider	
	<b>E7</b>	<b>241 531</b>		E7	220 993
	<b>E8</b>	<b>241 532</b>		E8	220 994
	<b>E10</b>	<b>241 533</b>		E10	220 996
1	Hook bed		7	Collar bolt co.	211 036
	E7	221 194	8	Cross slider	213 429
	E8	221 195	9	Cover rail	222 866
2	E10	221 196	10	Plunger	205 678
	Closer		11	Switch lever co.	240 060
	E3-8	230 105	15	Stabilizer	215 253
3	E10-14	230 106	502	Countersunk head screw M5x12	023 340
	Body		504	Hexagon nut M4-8	023 046
	E3-8	230 093	505	Hexagon nut M5-04	020 854
4	E10-14	230 094	508	U-washer 5	020 871
	Cover rail	213 428	510	Cap screw M4x35	023 550
	500	Cap screw M4x30	023 290	511	Circlip



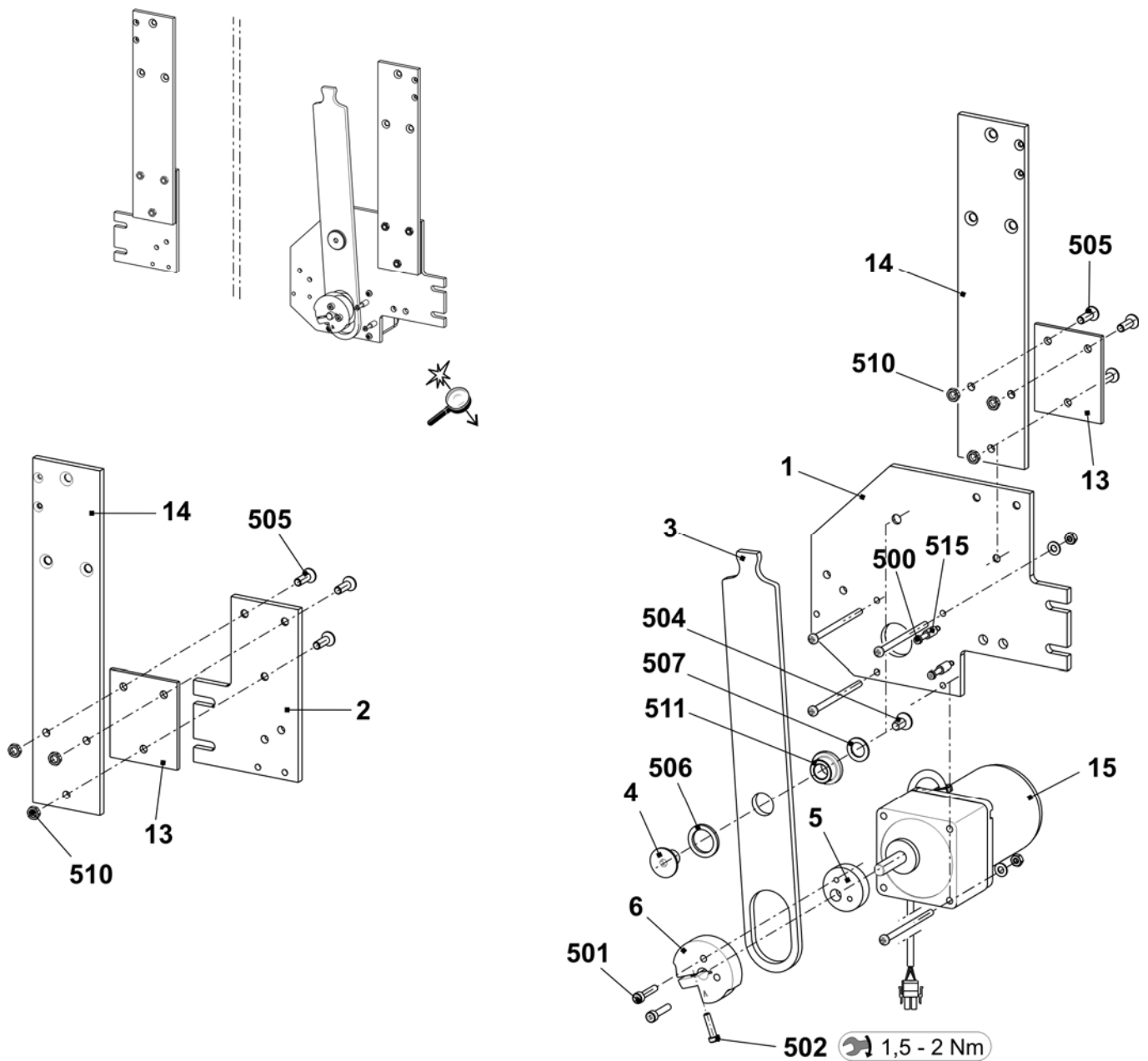
### Comb unit E12 + E14

Pos	Designation	ID	Pos	Designation	ID
<b>Σ</b>	<b>Comb unit</b>				
	<b>E12</b>	<b>240 061</b>	8	Cross slider	240 061
	<b>E14</b>	<b>241 534</b>	9	Cover rail	22 866
1	Hook bed		10	Plunger	205 678
	E12	221 197	11	Switch lever co.	240 060
	E14	221 198	15	Stabilizator	215 253
2	Closer E10-14	230 106	500	Cap screw M4x30	023 290
3	Body E10-14	230 094	502	Countersunk head screw M5x12	023 340
4	Cover rail	213 428	504	Hexagon nut M4-8	023 046
5	Hook slider		505	Hexagon nut M5-04	020 854
	E12	220 994	508	U-washer 5	020 871
	E14	220 993	510	Cap screw M4x35	023 550
7	Collar bolt co.	211 036	511	Circlip	022 774



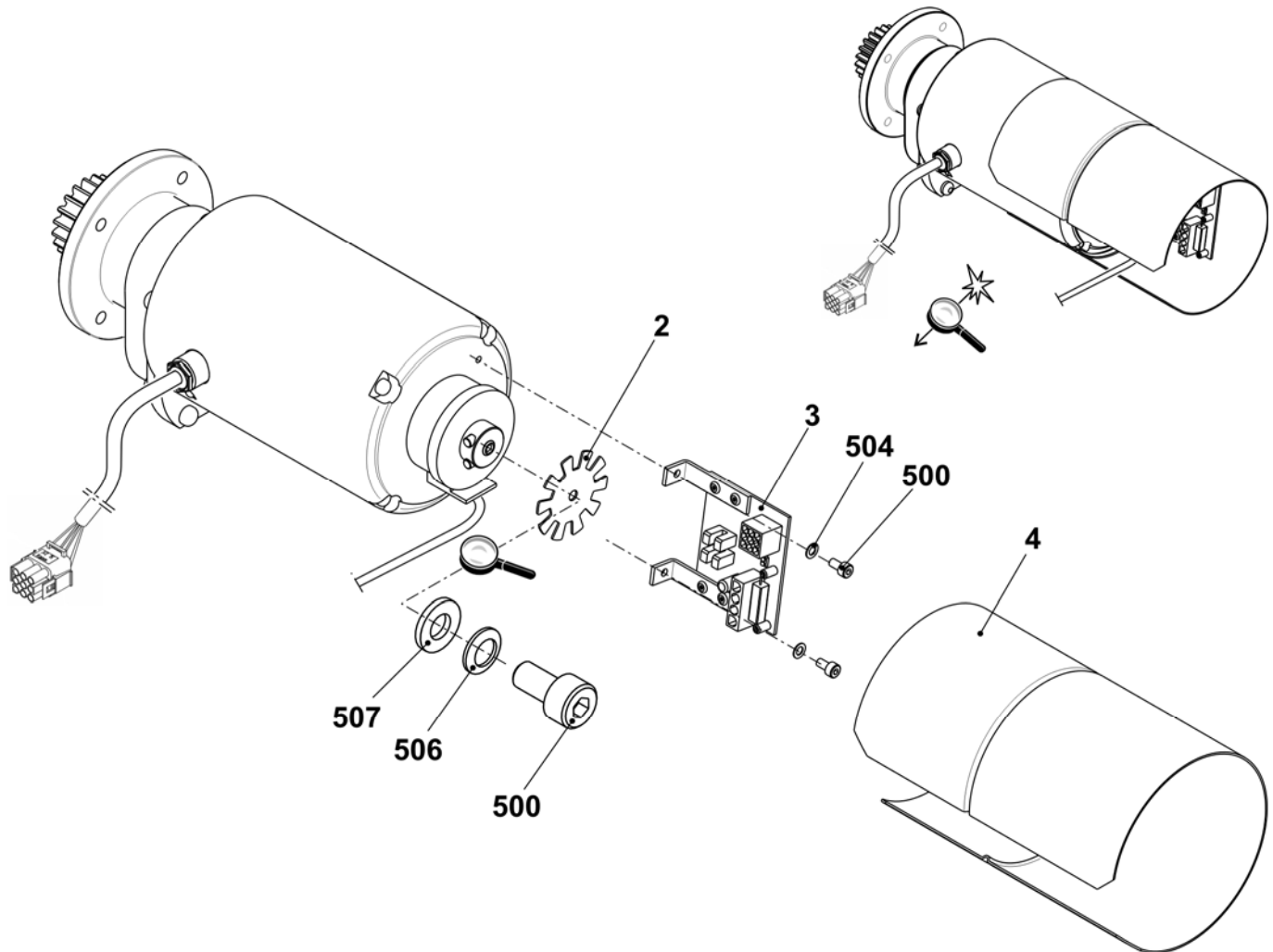
## Switch lever comb take-down

Pos	Designation	ID	Pos	Designation	ID
$\Sigma$	Switch lever co.	240 060	500	Cap screw M3x25	023 093
1	Screwing plate on the right	240 058	501	Cap screw M4x20	023 171
2	Screwing plate on the left	240 059	502	Cap screw M4x16	023 123
3	Lever	215 228	504	Countersunk screw M6x12	023 435
4	Bearing bolt	215 675	505	Countersunk screw M5x16	023 417
5	Eccentric	205 681	506	Shim ring 16x22x2	023 449
6	Tension lifter	215 287	507	Adjusting washer 10x16x1	023 260
13	Intermediate plate	213 980	510	Hexagon nut M5	020 854
14	Retaining plate	218 977	511	Collar bearing 10x16x22	022 841
15	Motor comb hook 2 phases	244 635	515	Spacer	210 488

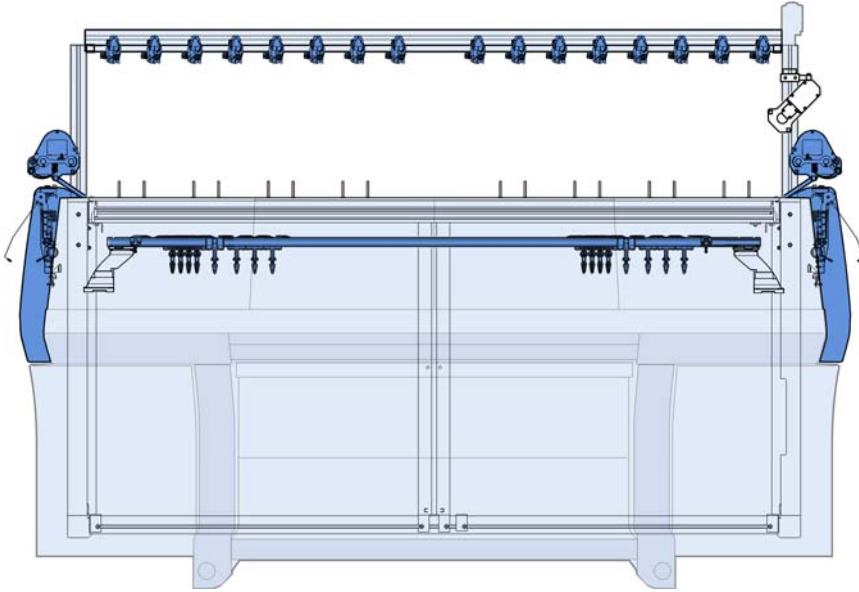


## Motor take-down unit

Pos	Designation	ID	Pos	Designation	ID
<b>Σ</b>	<b>Motor take-down unit</b>	<b>214 279</b>	500	Cap screw M4x8	022 501
2	Impulse disc	208 716	504	U-washer 4	020 879
3	Photoelectric sensor take-down + comb	300 744	506	Circlip	022 774
4	Cover	212 262	507	Shim ring 4x8x1	023 369

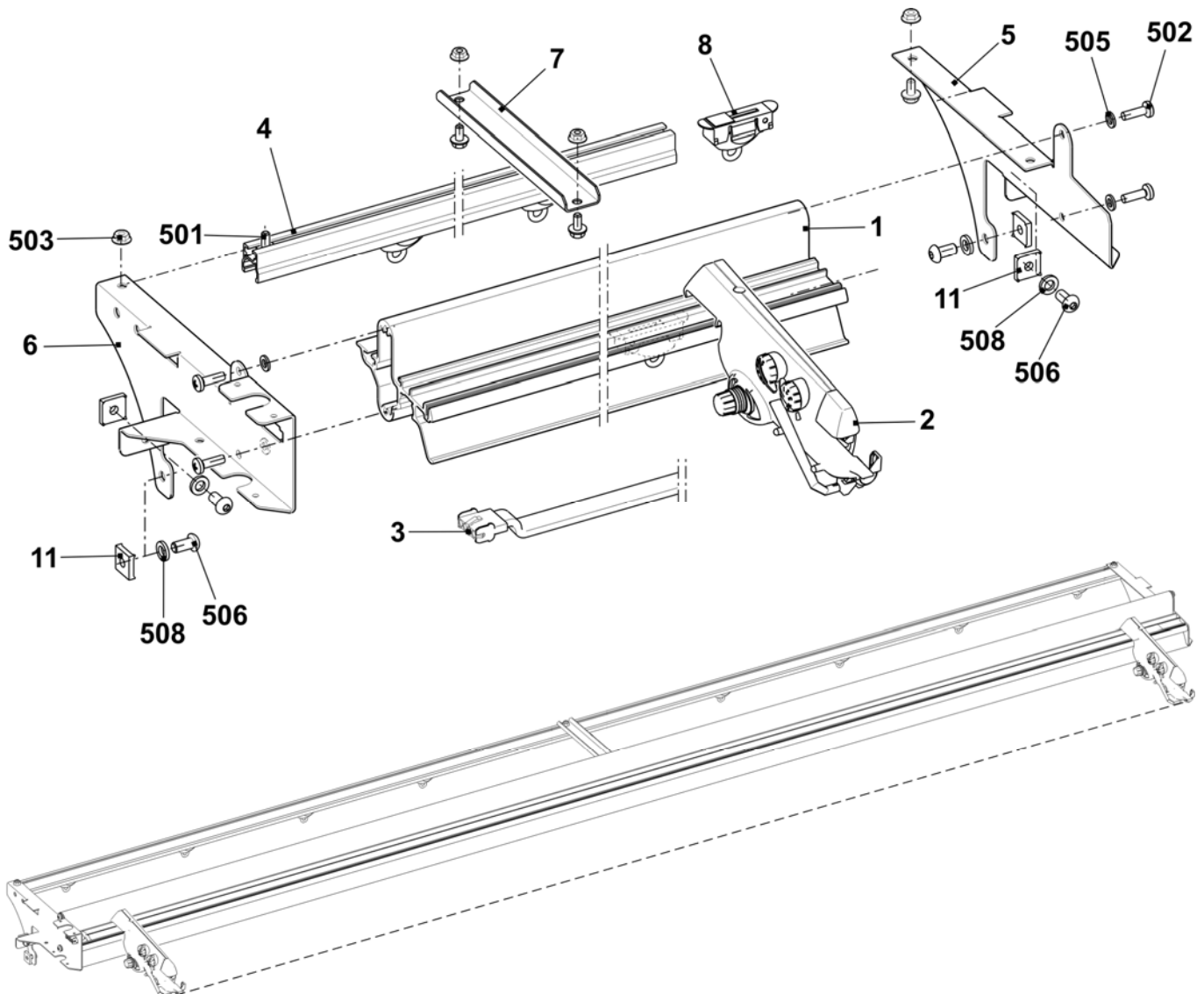


## Yarn delivery device



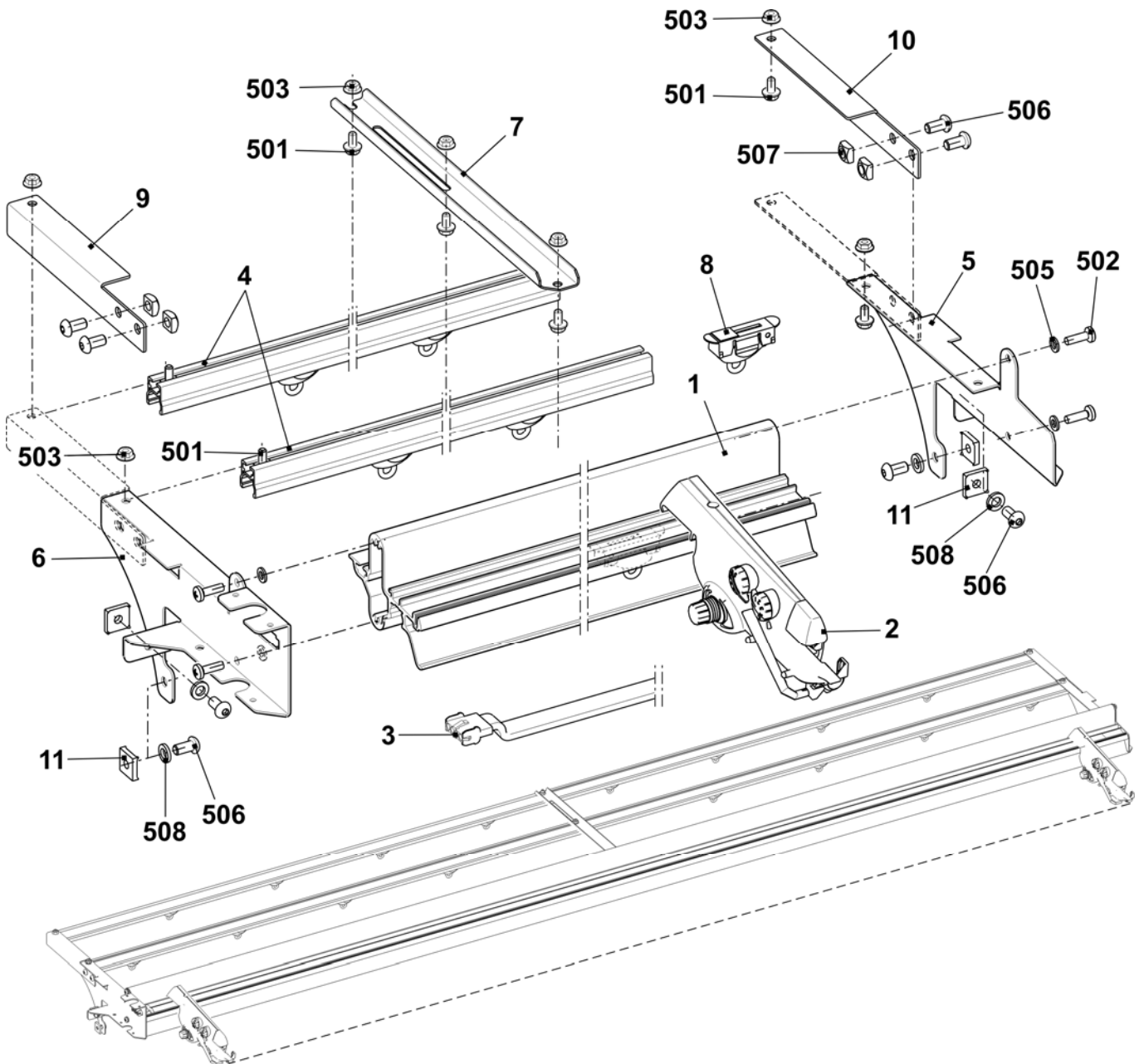
## Yarn guide system with 14 FKE

Pos	Designation	ID	Pos	Designation	ID
<b>Σ</b>	<b>Yarn guide system 14 FKE 50"</b>	<b>254 060</b>	8	Yarn guide bracket co.	241 581
1	Support 50"	243 110	11	Sliding block	228 851
2	Yarn control device (FKE)	237 124	501	Self-locking screw M6x12	023 415
3	Connection cable FKE-3 50"	239 710	502	Screw M6x20	023 721
4	Yarn guide bar	240 324	503	Ribbed safety nut M6-10	023 414
5	Support on the right	243 601	505	U-washer 6-200	022 431
6	Support on the left	243 600	506	Pan-head screw M8x16	023 113
7	Support	243 792	508	Serrated lock washer	023 388



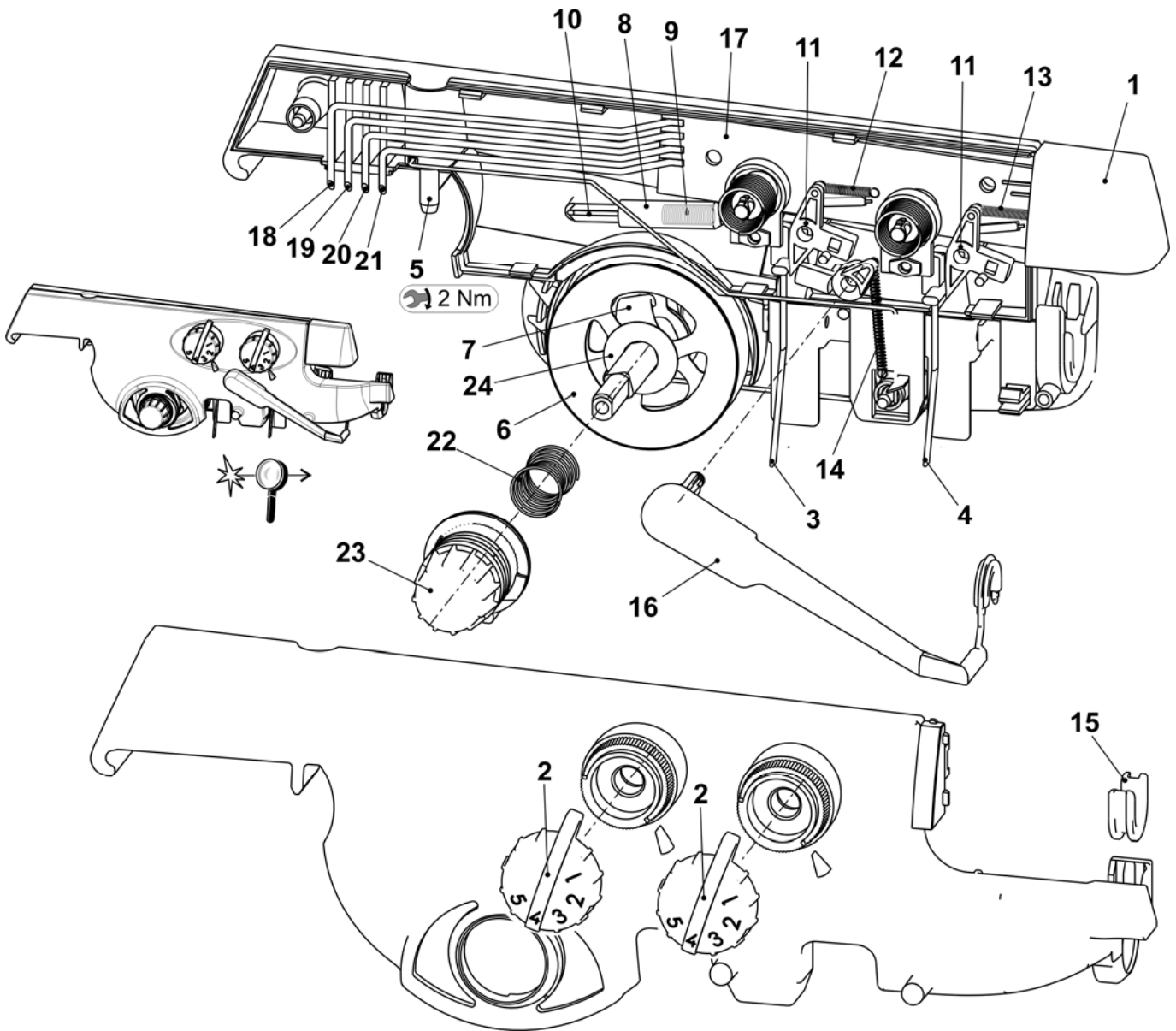
## Yarn guide system with 18 FKE

Pos	Designation	ID	Pos	Designation	ID
<b>Σ</b>	<b>Yarn guide system 18 FKE 50"</b>	<b>254 059</b>			
1	Support	243 110	10	Support on the right	243 603
2	Yarn control device (FKE)	237 124	11	Sliding block	228 851
3	Connection cable FKE-3 50"	239 710	501	Self-locking screw M6x12	023 415
4	Yarn guide bar	240 324	502	Screw M6x20	023 721
5	Support on the right	243 601	503	Ribbed safety nut M6-10	023 414
6	Support on the left	243 600	505	U-washer 6-200	022 431
7	Support	239 295	506	Pan-head screw M8x16	023 113
8	Yarn guide bracket co.	241 581	507	Square nut M8	023 269
9	Support on the left	243 602	508	Serrated lock washer	023 388



# Yarn control unit

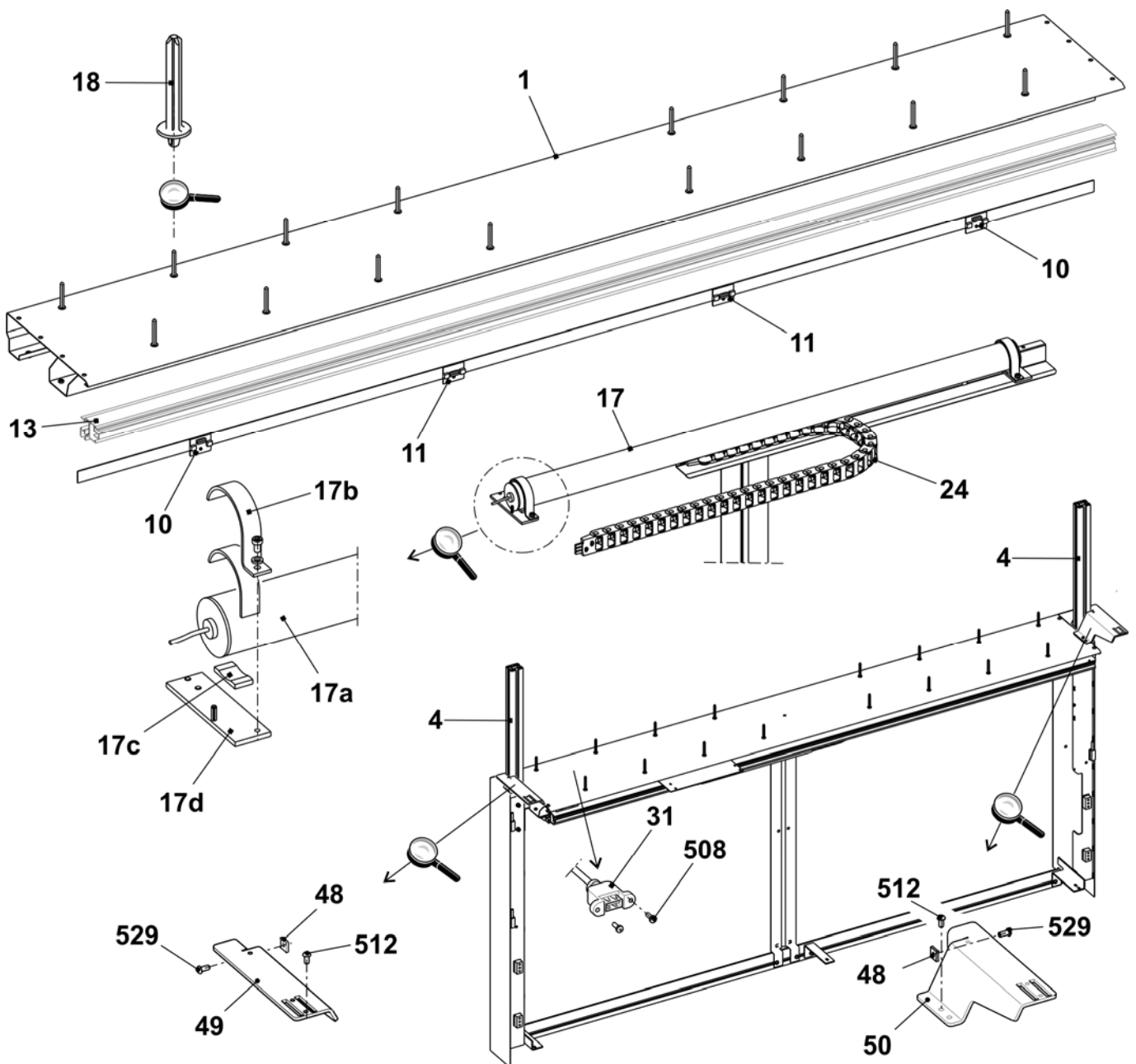
Pos	Designation	ID	Pos	Designation	ID
<b>Σ</b>	<b>Yarn control unit</b>	<b>237 124</b>			
1	Lamp cap	251 166	13	Tension spring	253 040
2	Rotary knob	251 167	14	Tension spring	253 041
3	Knot sensor big	251 168	15	Ceramic eyelet open	240 733
4	Knot sensor little	251 169	16	Turn off bow	253 043
5	Screw	251 170	17	Printed board	253 046
6	Yarn brake disk	216 365	18	Connector pin	253 047
7	Yarn holder	244 407	19	Connector pin	253 048
8	Sleeve	253 034	20	Connector pin	253 049
9	Compression spring	253 035	21	Connector pin	253 050
10	Pin	253 036	22	Compression spring	253 055
11	Trip cam	253 037	23	Rotary knob	253 056
12	Tension spring	253 038	24	Disc	253 057





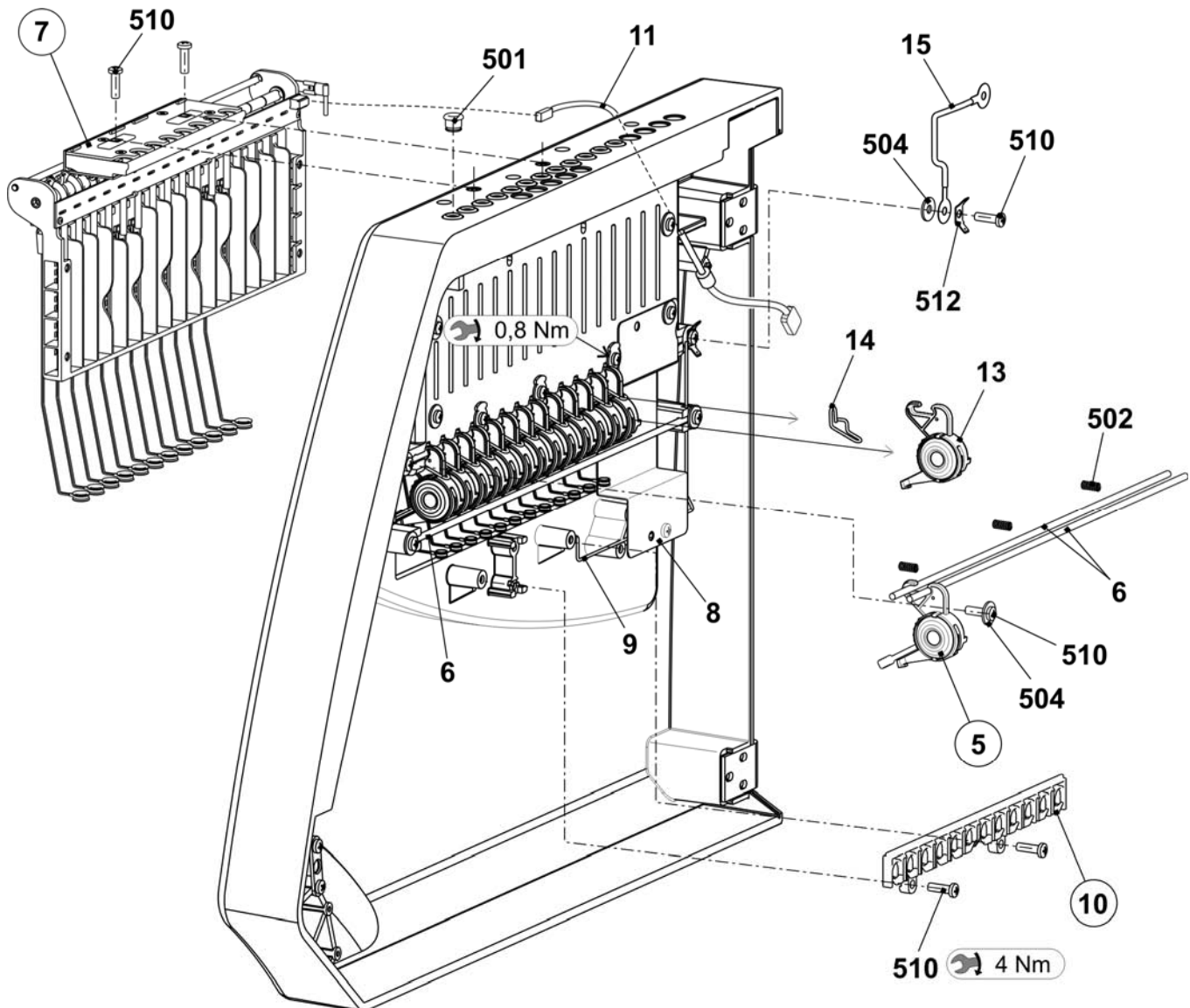
## Bobbin board

Pos	Designation	ID	Pos	Designation	ID	
<b>Σ</b>	<b>Table co. 50"</b>	<b>253 873</b>				
1	Table	251 244	18	Positioning pin	251 050	
4	Support element	228 594	24	Energy chain display (38 links)	235 888	
10	Magnet switch protective hood	219 983	31	Cable USB extension okc	240 317	
11	Magnet switch protective hood	220 159	508	Countersunk screw M3x8	023 251	
13	Guide rail at the top co.	240 251	49	Support of left feed wheel	250 966	
17	Lamp at the top co.	222 509	50	Support of right feed wheel	250 967	
	17a	Lamp 230 V 50/60 Hz	205 546	48	Sliding block	228 851
	17b	Clamping bow	209 504	512	Countersunk screw M8x16	023 113
	17c	Cellular caoutchouc 40x20	208 018	529	Countersunk screw M8x18	251 331
	17d	Lamp support	221 951			



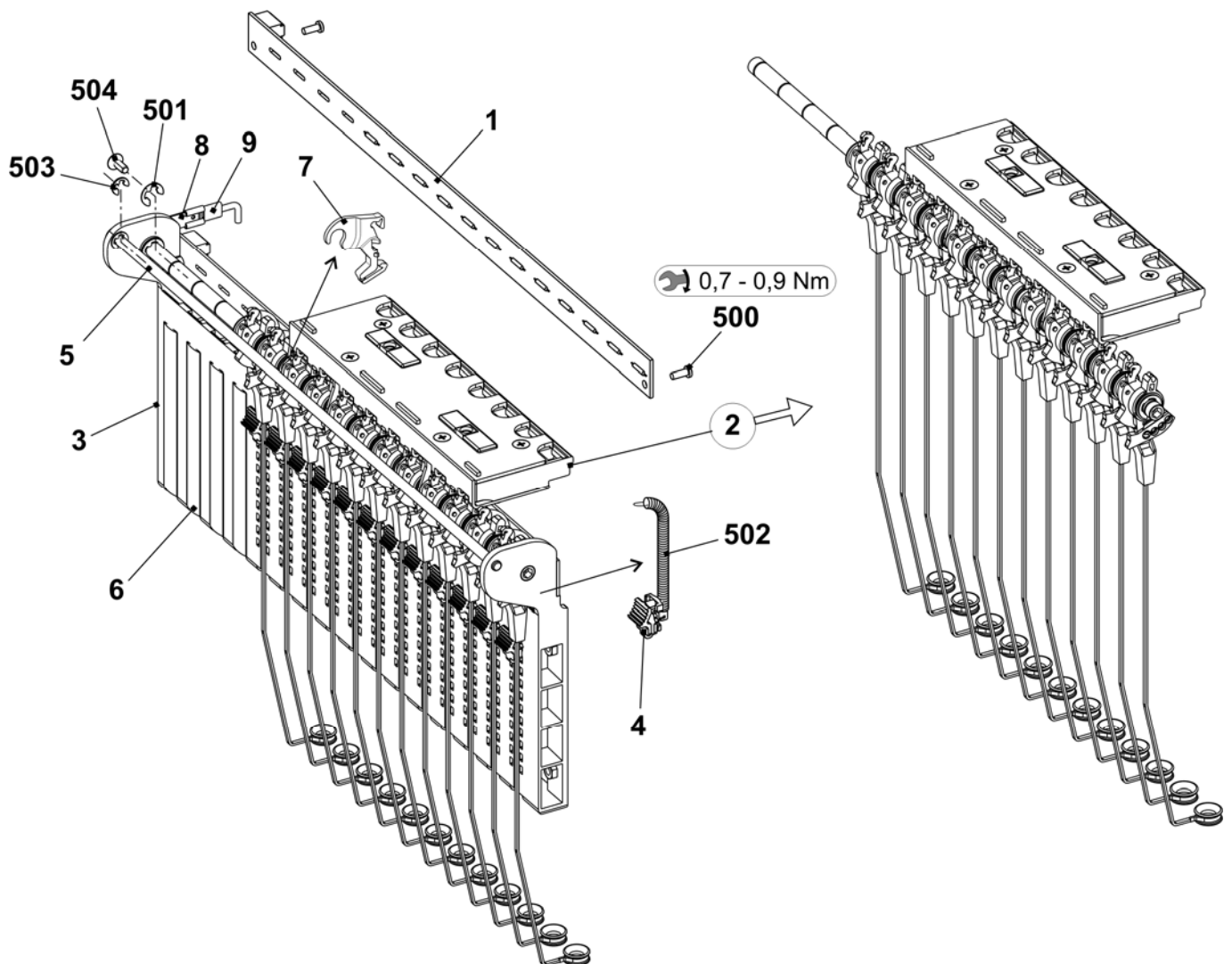
## Left yarn guide

Pos	Designation	ID	Pos	Designation	ID
$\Sigma$	<b>Safety cover on the left co.</b>		10	Yarn deflector	242 011
	<b>E7 - E8</b>	<b>241 272</b>	11	Connection cable yarn tensioner OKC	240 808
	<b>E10 - E18</b>	<b>241 273</b>	13	Yarn brake not adjustable	244 356
5	Yarn brake co.	244 347	14	Clamping bow	244 409
6	Shaft	241 318	15	Ground cable	244 404
7	<b>Yarn tensioner on the left co.</b>		501	Ceramic eyelet	240 640
	<b>E7 - E8</b>	241 364	502	Compression spring 0.90x5.40x13.60	241 360
	<b>E10 - E18</b>	241 365	504	U-washer	022 537
8	Cover	240 783	510	Screw KB 60x20	237 682
9	Wire bow on the left	241 370	512	Flat connector 2x45° M6	243 117



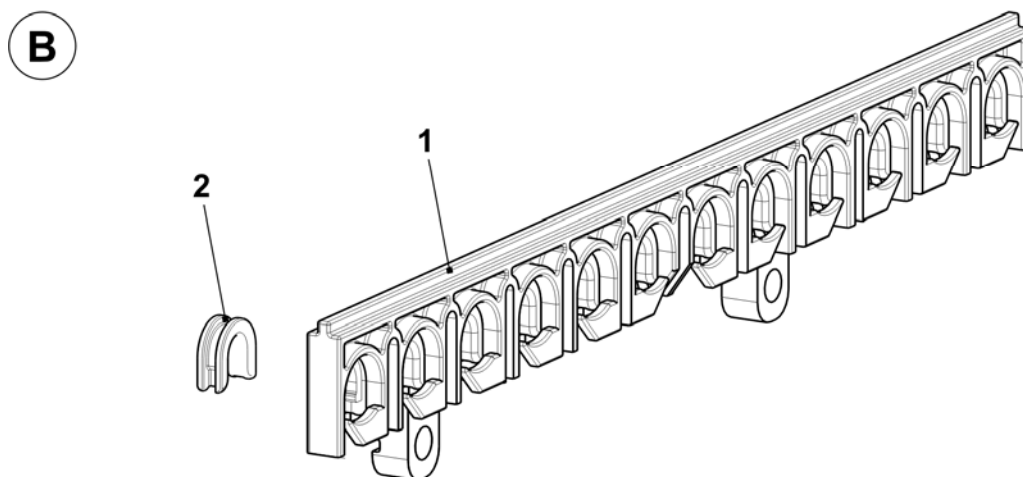
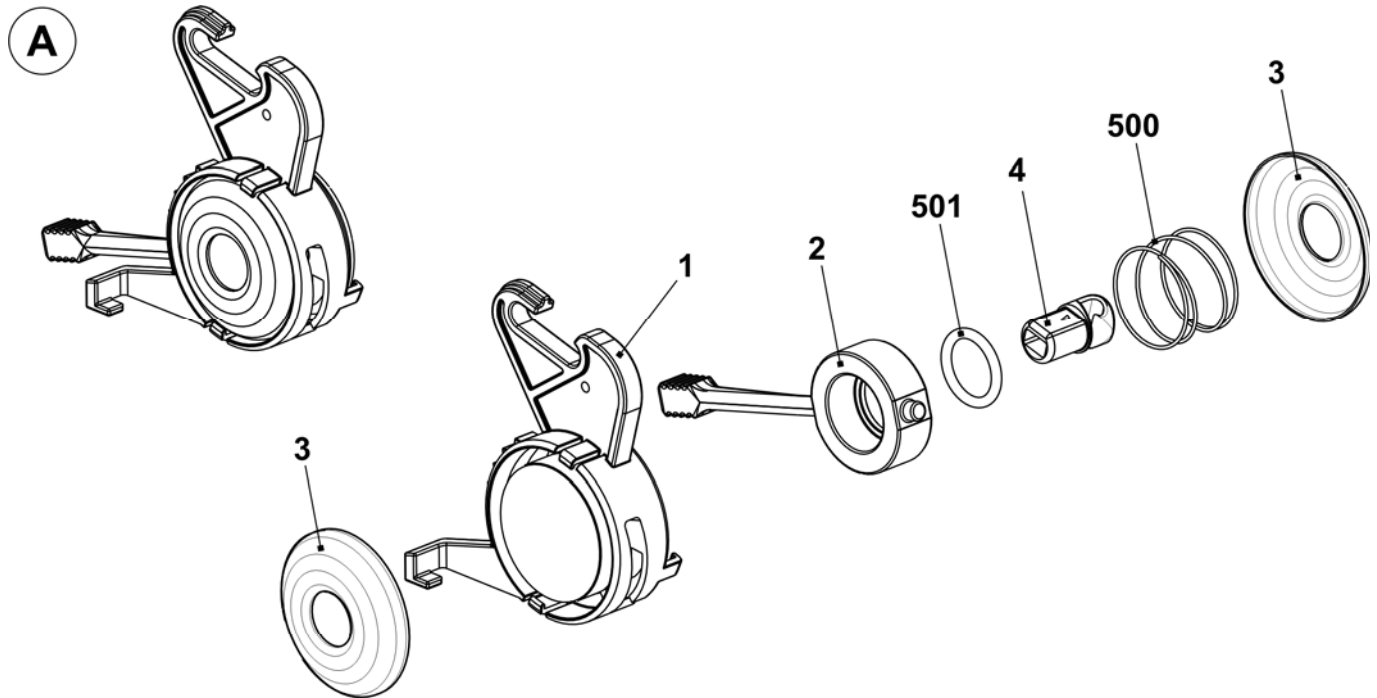
## Left yarn tensioner

Pos	Designation	ID	Pos	Designation	ID
$\Sigma$	<b>Yarn tensioner on the left</b>				
	<b>E7 – E8</b>	<b>241 364</b>	7	Spacer	242 048
	<b>E10 – E18</b>	<b>241 365</b>	8	Grounding sheet metal of tension axle	243 121
1	Card yarn tensioner 16-fold on the left	241 345	9	Ground cable yarn tensioner OKC	243 105
2	Tension axle on the left co.		500	Screw KB 30x8	236 228
	E3 – E8	241 366	501	Circlip	021 022
	E10 – E18	241 381	502	Tension spring 5.05x0.55x53 (E3-E5)	023 502
3	Housing	241 367		Tension spring 4.9x0.5x53 (E7-E8)	023 503
4	Slider	241 694		Tension spring 4.9x0.45x53 (E10-E18)	023 504
5	Stop point	241 368	503	Circlip	021 020
6	Cover	242 268	504	Countersunk screw M4x10	241 914



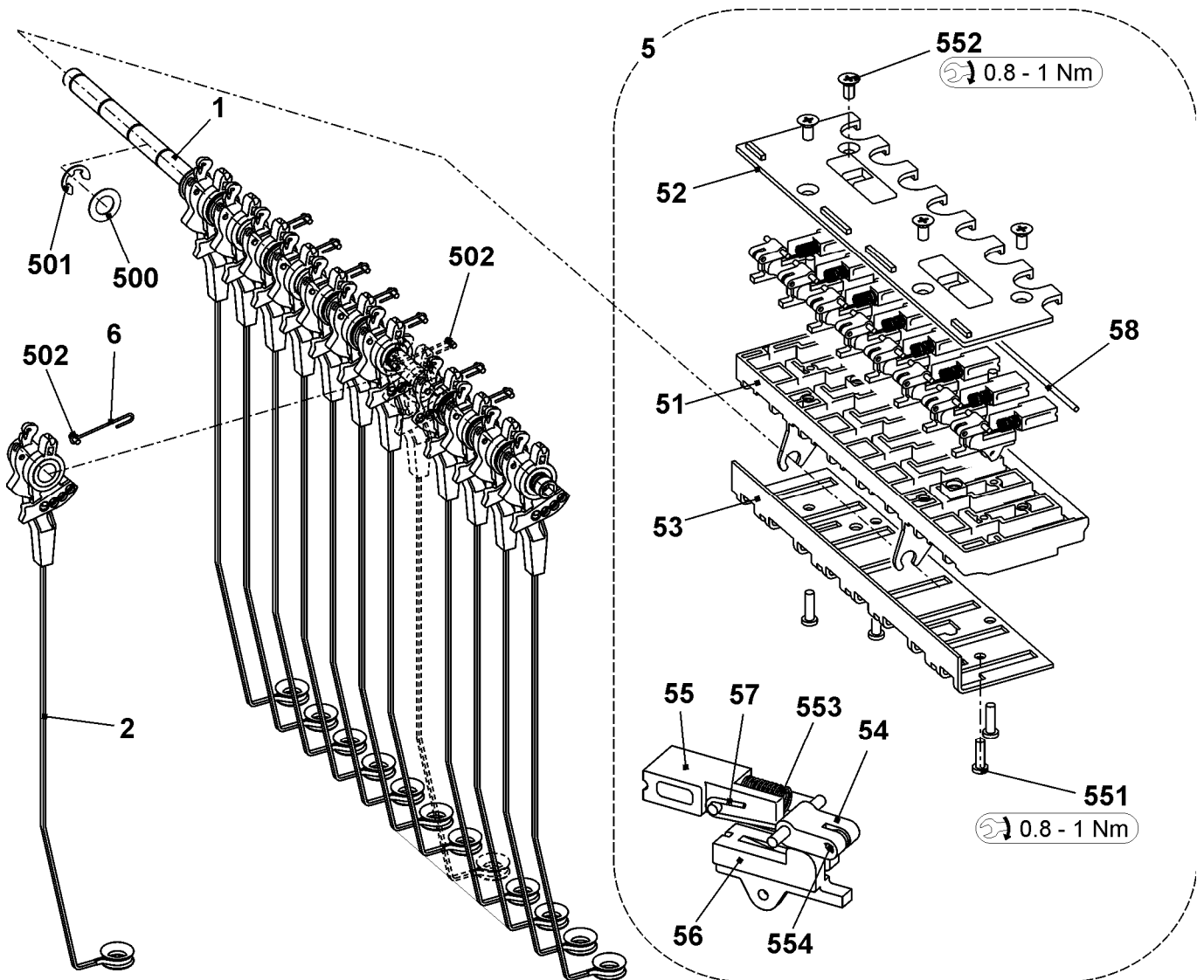
## Yarn brake and yarn deflector

Pos	Designation	ID	Pos	Designation	ID
<b>A</b>	<b>Yarn brake co.</b>	<b>244 347</b>	<b>B</b>	<b>Yarn deflector</b>	<b>242 011</b>
1	Support	240 607	1	Support yarn deflector	242 009
2	Slider	240 606	2	Ceramic eyelet open	240 733
3	Brake disk	244 355			
4	Ceramic eyelet open	243 778			
500	Compression spring 0.65x20.15x14.80	241 361			
501	O-ring 11x2	241 434			



## Left tension axle

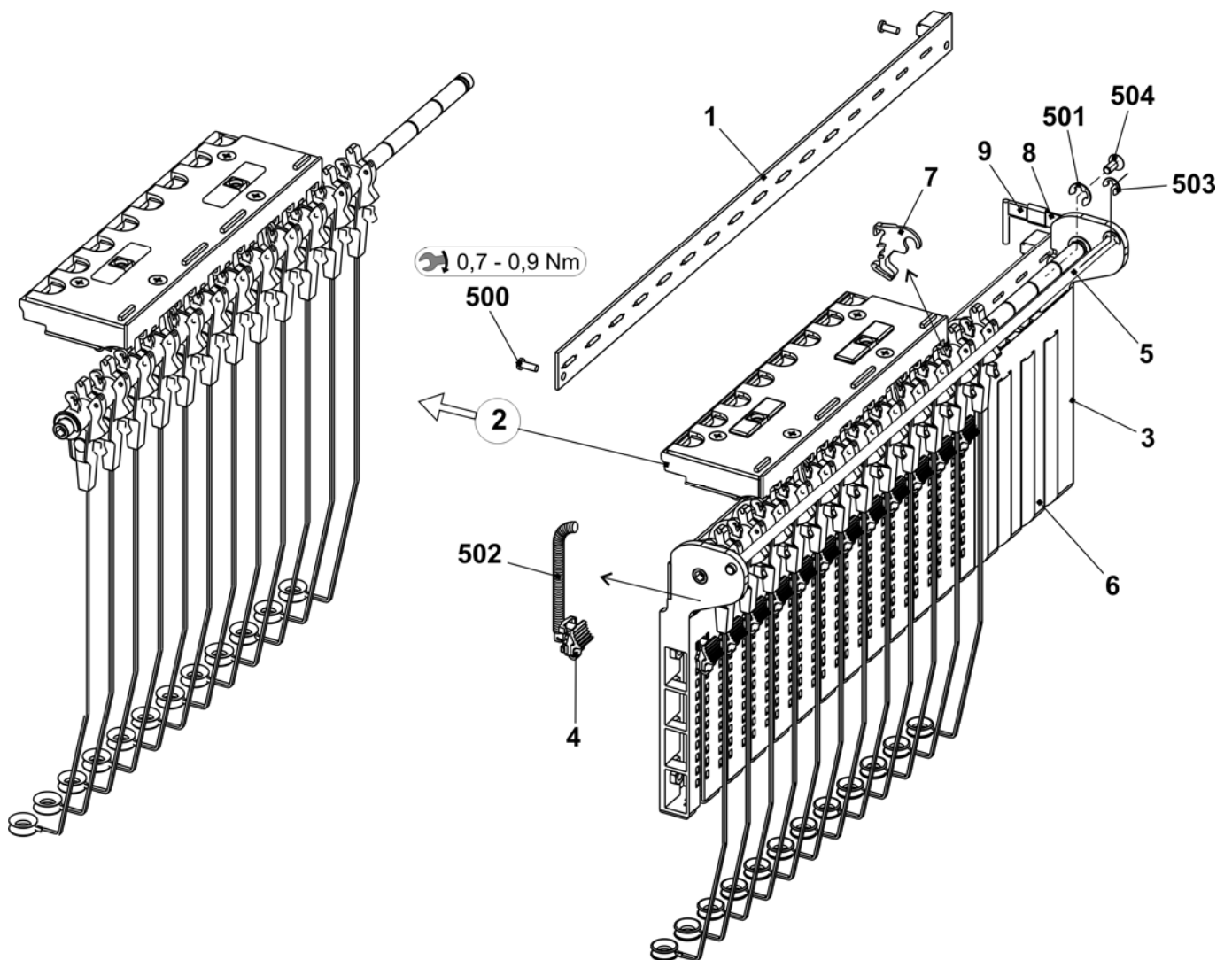
Pos	Designation	ID	Pos	Designation	ID
<b>Σ</b>	<b>Tension axle on the left co.</b>		<b>5</b>	<b>Thread clamp AKF</b>	<b>238 695</b>
	<b>E7 + E8</b>	<b>241 366</b>	51	Housing AKF	238 689
	<b>E10 + E12 + E14</b>	<b>241 381</b>	52	Cover AKF	237 926
1	Axle	243 107	53	Sheet metal at the bottom (housing AKF)	240 719
2	Tension arm pre-assembled		54	Lever AKF	238 692
	E7 + E8	242 770	55	Thrust piece AKF	238 690
	E10 + E12 + E14	242 771	56	Slider AKF	238 691
6	Wire bow	238 694	57	Wire bow	238 694
500	Shim ring 8x14x0.5	023 501	58	Wire	237 940
501	Circlip	021 022	551	Screw KB 35x12	237 681
502	Grooved pin 2x6	243 172	552	Screw KB 40x8	236 227
			553	Compression spring 0.30x4.50x18.50	241 437
			554	Grooved pin 2x6	243 172





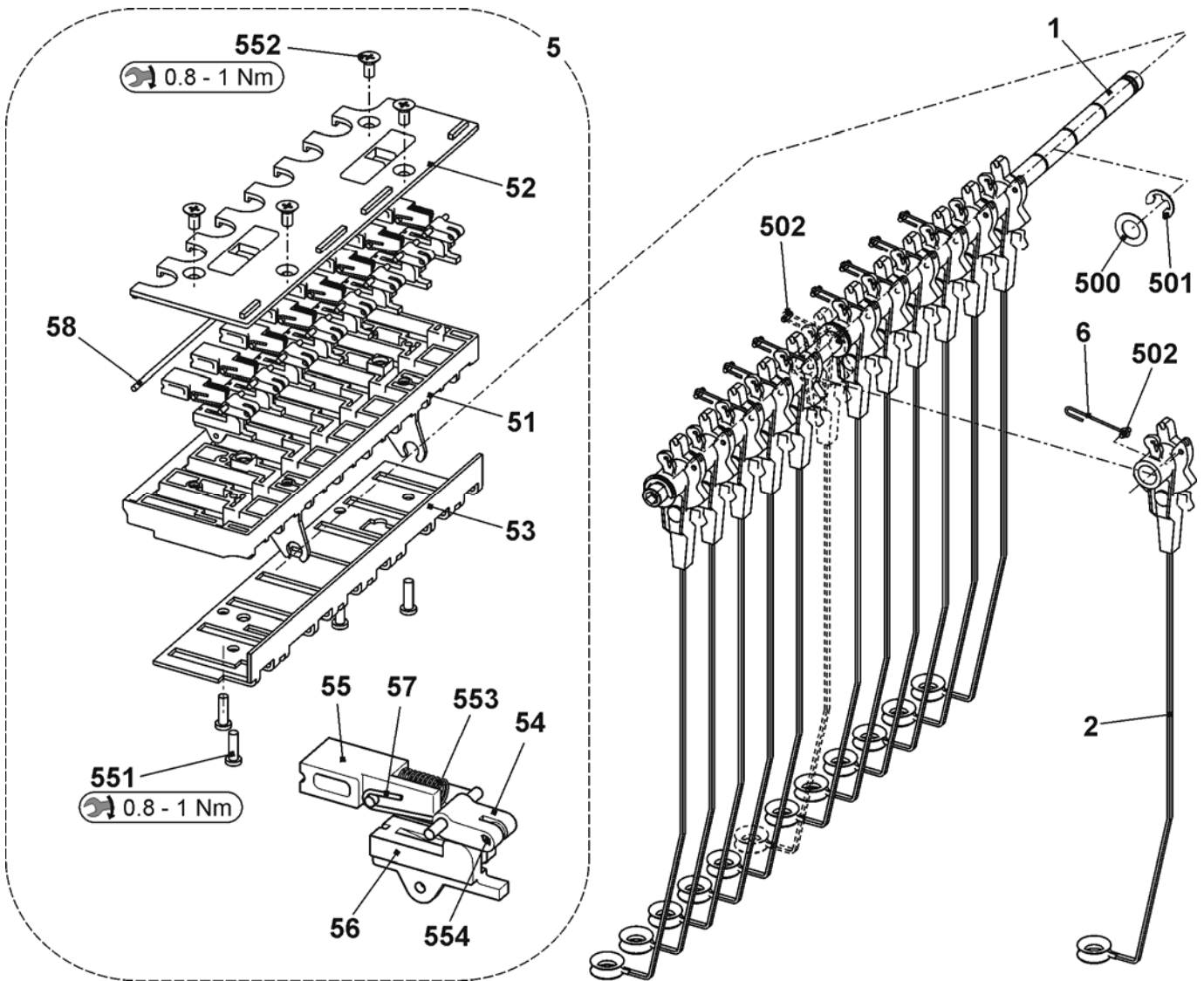
## Right yarn tensioner

Pos	Designation	ID	Pos	Designation	ID
$\Sigma$	<b>Yarn tensioner on the right</b>		7	Spacer	242 048
	<b>E7 – E8</b>	<b>241 383</b>	8	Grounding sheet metal of tension axle	243 121
	<b>E10 – E18</b>	<b>241 384</b>	9	Ground cable yarn tensioner OKC	243 105
1	Card yarn tensioner 16-fold on the right	241 346	500	Screw KB 30x8	236 228
2	Tension axle on the right co.		501	Circlip	021 022
	<b>E3 – E8</b>	241 379	502	Tension spring 5.05x0.55x53 (E3-E5)	023 502
	<b>E10 – E18</b>	241 380		Tension spring 4.9x0.5x53 (E7-E8)	023 503
3	Housing	241 367		Tension spring 4.9x0.45x53 (E10-E18)	023 504
4	Slider	241 694	503	Circlip	021 020
5	Stop point	241 368	504	Countersunk screw M4x10	241 914
6	Cover	242 268			



## Right tension axle

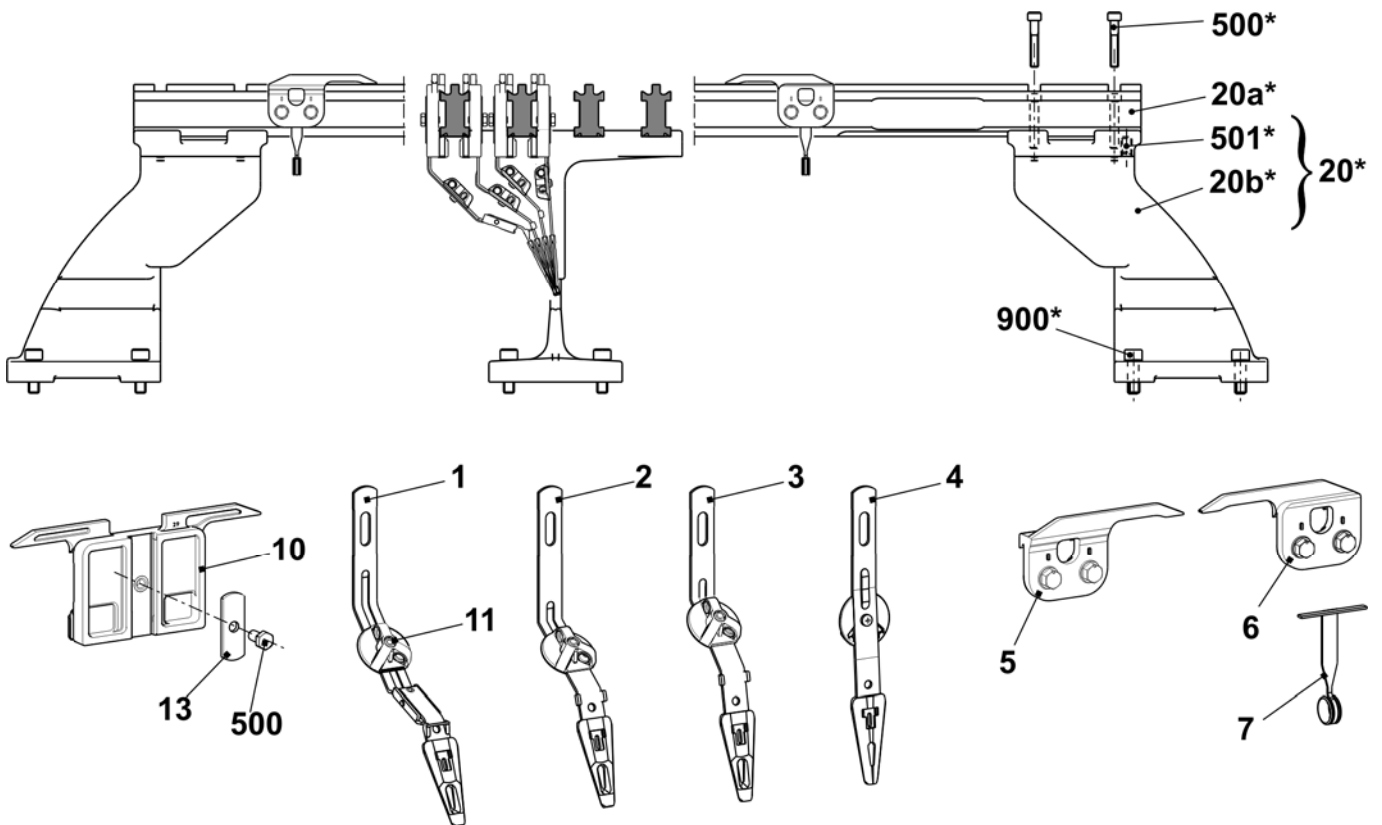
Pos	Designation	ID	Pos	Designation	ID
<b>Σ</b>	<b>Tension axle on the right co.</b>		<b>5</b>	<b>Thread clamp AKF</b>	<b>238 695</b>
	<b>E7 + E8</b>	<b>241 379</b>	51	Housing AKF	238 689
	<b>E10 + E12 + E14</b>	<b>241 380</b>	52	Cover AKF	237 926
1	Axle	243 107	53	Sheet metal at the bottom (housing AKF)	240 719
2	Tension arm pre-assembled		54	Lever AKF	238 692
	E7 + E8	242 770	55	Thrust piece AKF	238 690
	E10 + E12 + E14	242 771	56	Slider AKF	238 691
6	Wire bow	238 694	57	Wire bow	238 694
500	Shim ring 8x14x0.5	023 501	58	Wire	237 940
501	Circlip	021 022	551	Screw KB 35x12	237 681
502	Grooved pin 2x6	243 172	552	Screw KB 40x8	236 227
			553	Compression spring 0.30x4.50x18.50	241 437
			554	Grooved pin 2x6	243 172





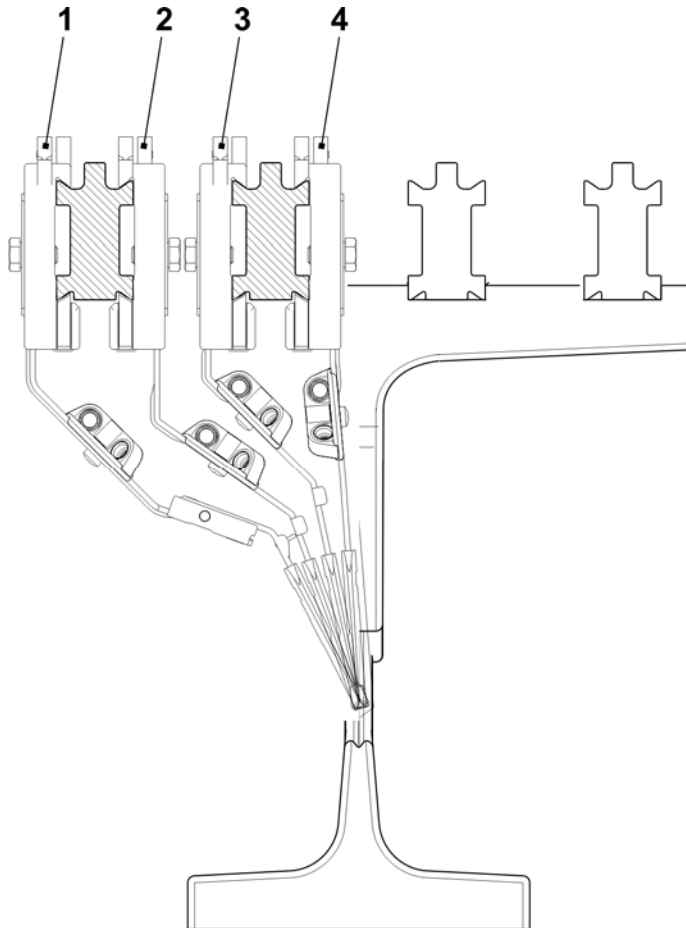
## Yarn carrier and guide rails

Pos	Designation	ID	Pos	Designation	ID
$\Sigma$	<b>Yarn guide co. E7 – E8</b>	<b>244 008</b>	<b>E7 + E8</b>		
	<b>Yarn guide co. E10 – E14</b>	<b>244 009</b>	1	YC bow 1+8 co. E7-8	212 892
5	Limiters on the left co.	244 099	2	YC bow 2+7 co. E7-8	212 914
6	Limiters on the right co.	244 098	3	YC bow 3+6 co. E7-8	212 925
7	Slider with eyelet	230 709	4	YC bow 4+5 co. E7-8	212 910
9	Yarn carrier bar 50"	240 282	<b>E10 - E14</b>		
10	YC carriage co.	243 062	1	YC bow 1+8 co. E10-14	212 994
11	Yarn guide wheel co.	209 257	2	YC bow 2+7 co. E10-14	212 996
13	Shim	213 035	3	YC bow 3+6 co. E10-14	212 995
20*	Bar unit	250 971	4	YC bow 4+5 co. E10-14	212 997
	20a* Yarn carrier bar	240 282			
	20b* YC support	252 010			
	500* Cap screw M6x35	020 139			
	501* Set screw M8x12	022 975			
	900* Cap screw M8X25	020 142			
500	Hexagon screw M5x10	020 351			



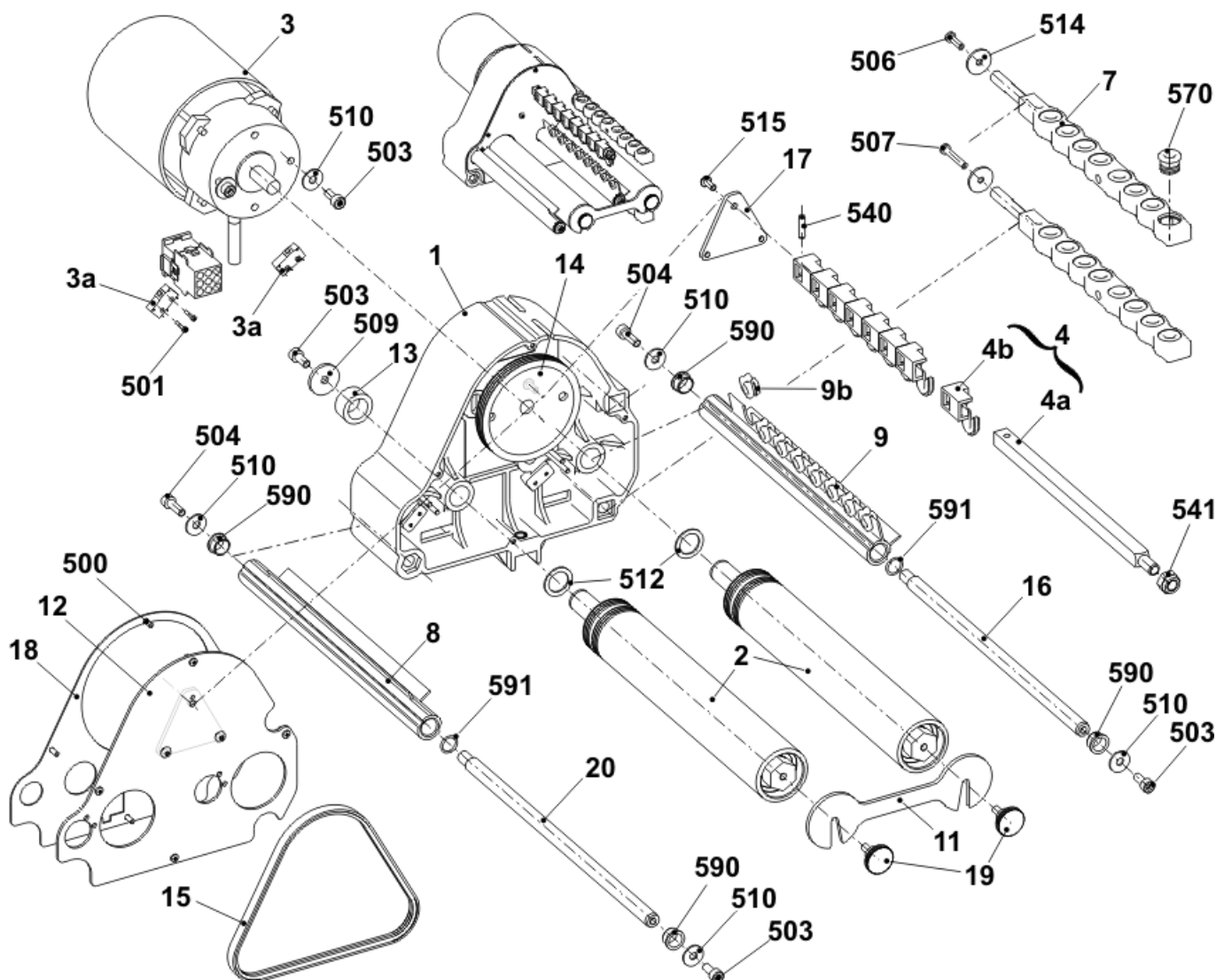
## Yarn carriers complete

Pos	Designation	Track	ID	Pos	Designation	Track	ID
<b>E7- 8</b>				<b>E10- 14</b>			
1	YC carriage co. E7-8	1+8	243 939	1	YC carriage co. E10-14	1+8	243 943
2	YC carriage co. E7-8	2+7	243 938	2	YC carriage co. E10-14	2+7	243 942
3	YC carriage co. E7-8	3+6	243 937	3	YC carriage co. E10-14	3+6	243 941
4	YC carriage co. E7-8	4+5	243 936	4	YC carriage co. E10-14	4+5	243 940



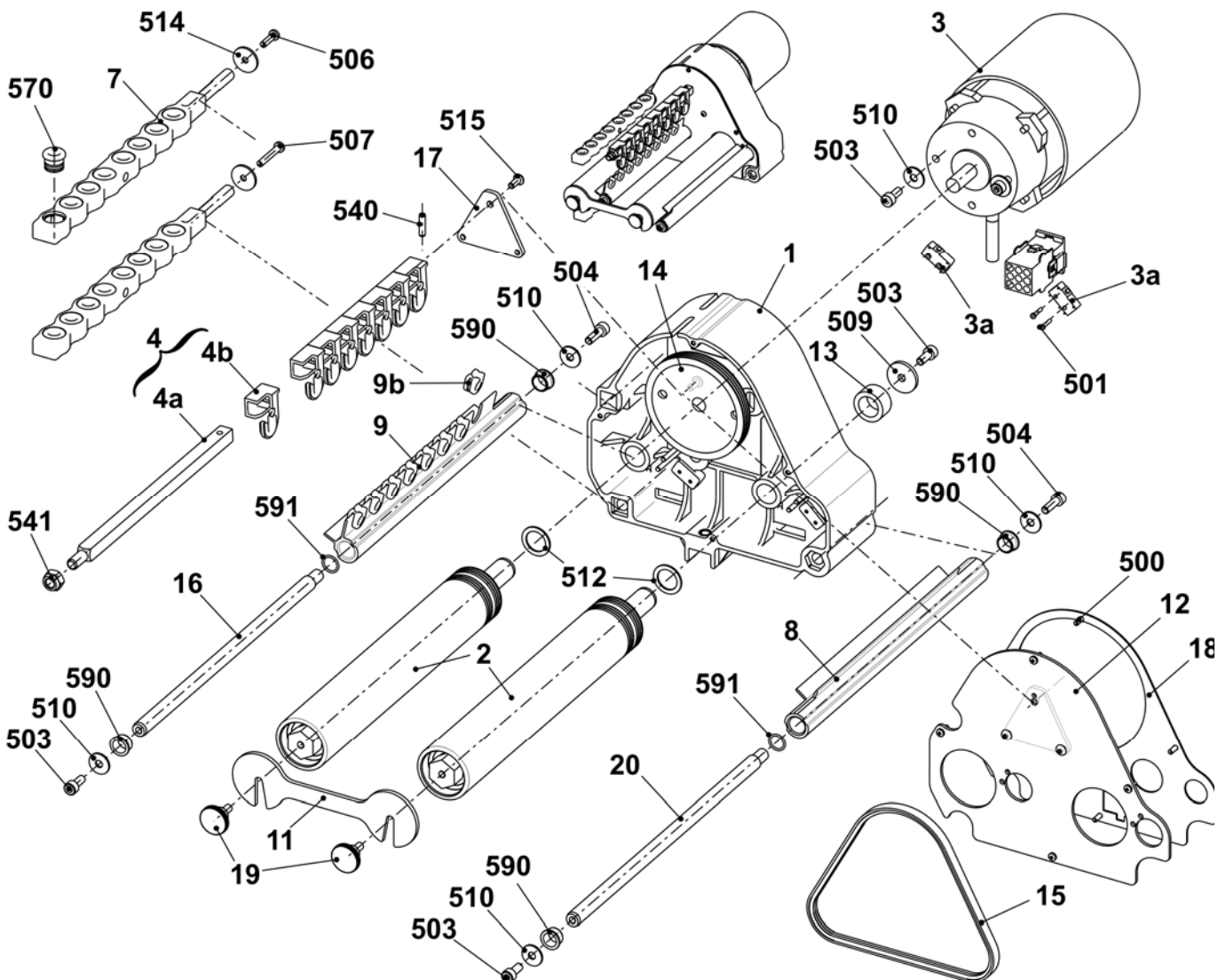
## Left friction feed wheel

Pos	Designation	ID	Pos	Designation	ID
<b>Σ</b>	<b>Friction feed wheel on the left co.</b>	<b>243 571</b>	13	Bush	221 391
1	Housing	240 368	14	Ribbed V-belt pulley	221 268
2	Friction roller co.	231 704	15	Ribbed V-belt pulley V3J 406	206 927
3	Three-phase AC motor co.	219 800	16	Rod	221 319
	3a Microswitch	008 664	17	Supporting plate	251 096
4	Deflector co. 8-fold	250 089	18	Cover	230 758
	4a Support rail	250 055	19	Knurled screw	223 361
	4b Eyelet holder co.	250 077	20	Rod	230 658
	540 Spring dowel sleeve 4x15	020 783	500	Screw KB30x8	236 228
	541 Hexagon nut M8-8	022 843	501	Screw 20x10	244 736
7	Yarn guide rod co.	239 431	503	Cap screw M5x12	020 132
	570 Eyelet 8	021 504	504	Cap screw M5x16	022 726
8	Stop motion rail on the right co.	230 690	506	Screw KB 40x14	241 358
9	Stop motion rail on the left co. with eyelets	230 683	507	Screw KB 40x25	241 595
	9b Eyelet	230 662	509	Washer 5.3x22x2.5	023 219
	590 Slide bearing	023 627	510	U-washer 5	020 901
	591 O-ring	244 895	512	Adjusting washer 15x21x1	023 216
11	Strap	221 316	514	U-washer 4,3	020 908
12	Cover	251 098	515	Countersunk screw M4x10	023 450

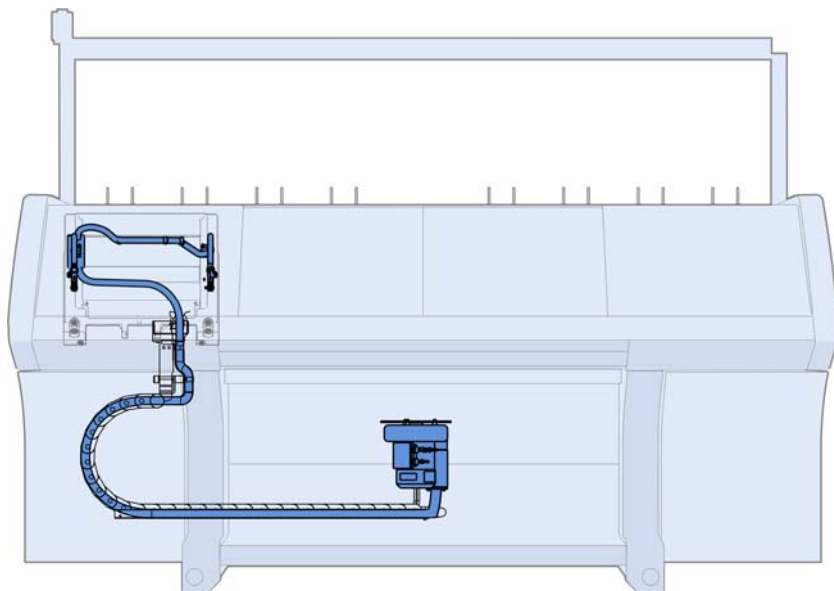


# Right friction feed wheel

Pos	Designation	ID	Pos	Designation	ID
<b>Σ</b>	<b>Friction feed wheel on the right co.</b>	<b>243 572</b>	13	Bush	221 391
1	Housing	240 368	14	Ribbed V-belt pulley	221 268
2	Friction roller co.	231 704	15	Ribbed V-belt pulley V3J 406	206 927
3	Three-phase AC motor co.	219 800	16	Rod	221 319
	3a Microswitch	008 664	17	Supporting plate	251 096
4	Deflector co. 8-fold	250 089	18	Cover	230 758
	4a Support rail	250 055	19	Knurled screw	223 361
	4b Eyelet holder co.	250 077	20	Rod	230 658
	540 Spring dowel sleeve 4x15	020 783	500	Screw KB30x8	236 228
	541 Hexagon nut M8-8	022 843	501	Screw 20x10	244 736
7	Yarn guide rod co.	239 431	503	Cap screw M5x12	020 132
	570 Eyelet 8	021 504	504	Cap screw M5x16	022 726
8	Stop motion rail on the right co.	230 690	506	Screw KB 40x14	241 358
9	Stop motion rail on the right co. with eyelets	230 682	507	Screw KB 40x25	241 595
	9b Eyelet	230 662	509	Washer 5.3x22x2.5	023 219
	590 Slide bearing	023 627	510	U-washer 5	020 901
	591 O-ring	244 895	512	Adjusting washer 15x21x1	023 216
11	Strap	221 316	514	U-washer 4,3	020 908
12	Cover	251 098	515	Countersunk screw M4x10	023 450

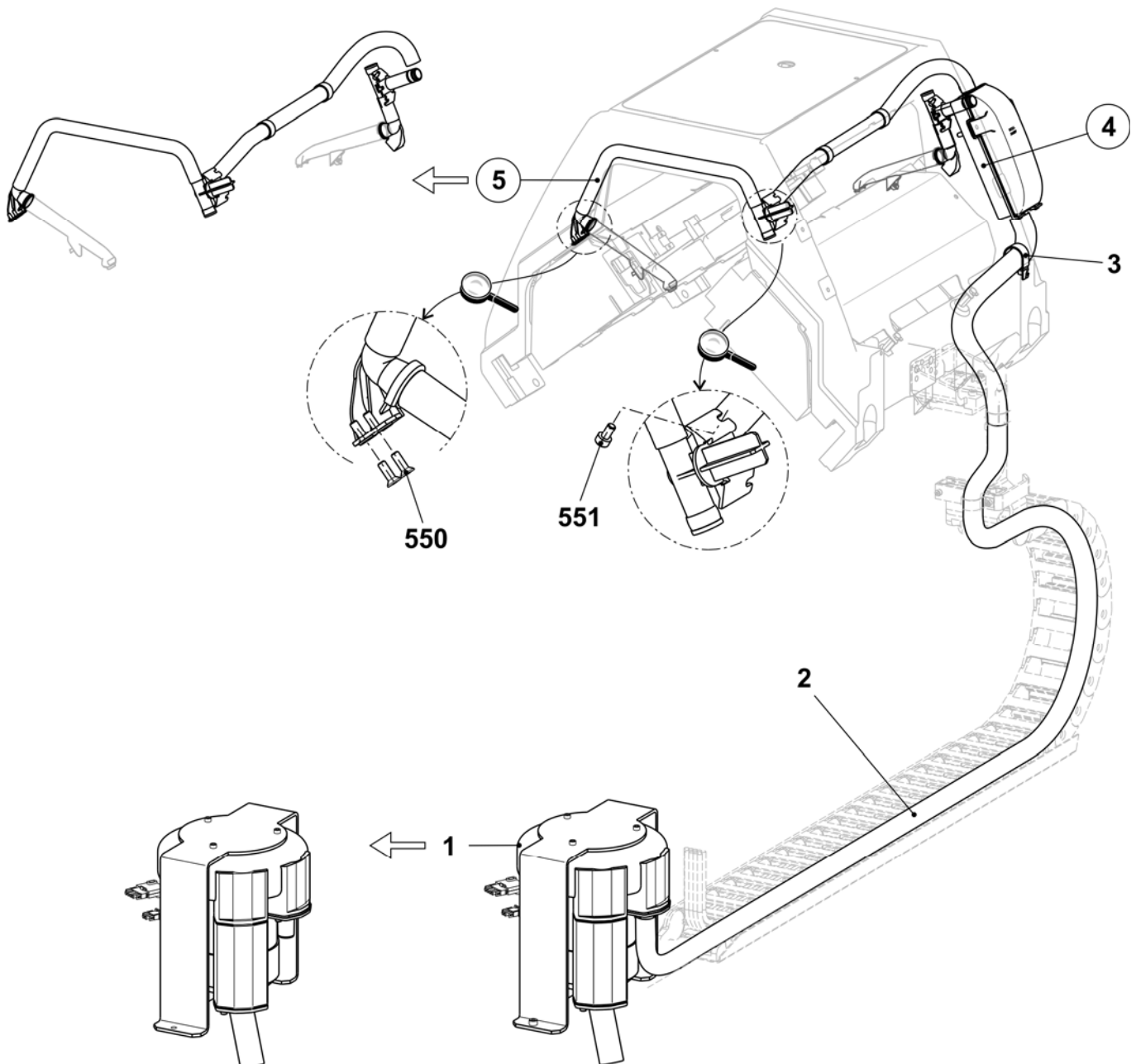


## Fluff absorption



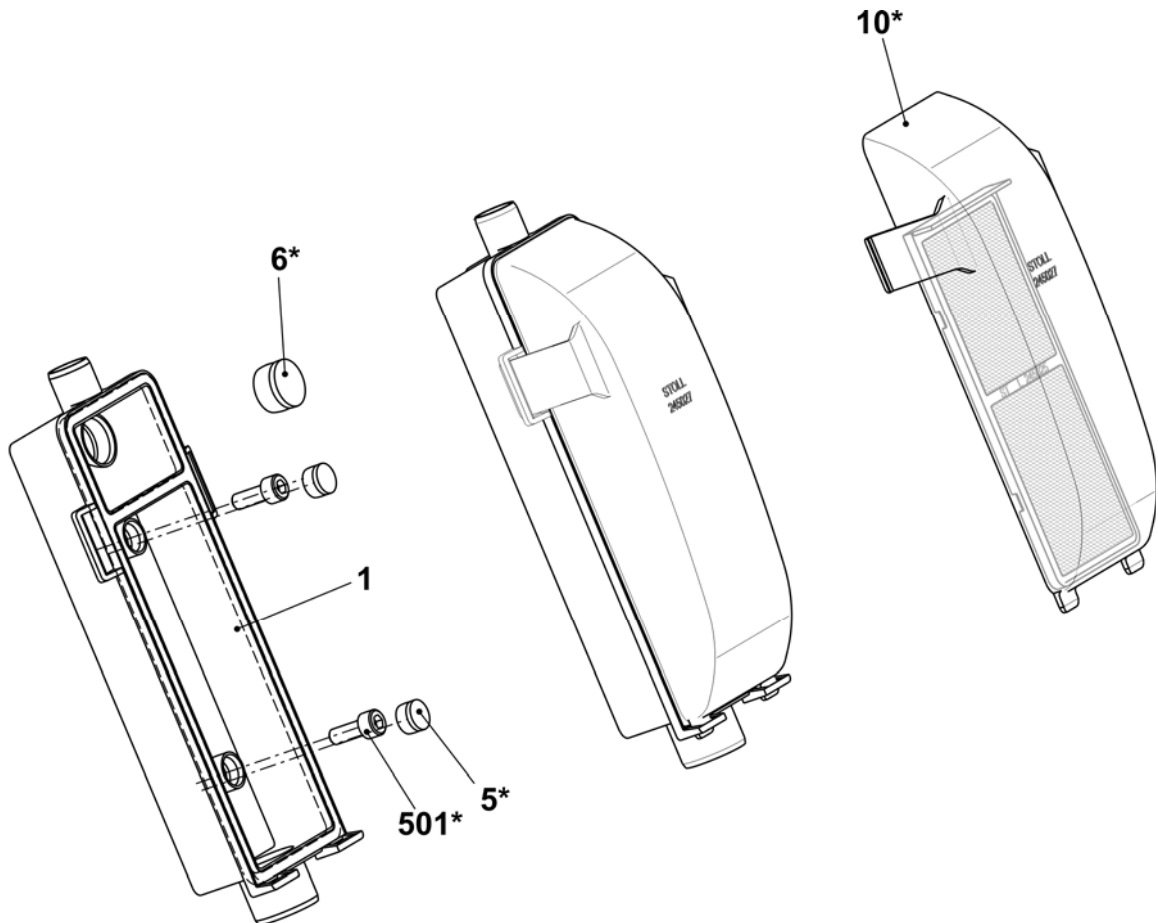
## Fluff absorption

Pos	Designation	ID	Pos	Designation	ID
<b>Σ</b>	<b>Fluff absorption</b>				
1	Suction fan co.	251 332	5	Set of tubes co.	251 342
2	Suction hose 29x25x3000	252 267	550	Countersunk head screw M4x12	023 062
3	Hose fitting	214 653	551	Cap screw M4x8	022 501
4	Lint container	245 024			



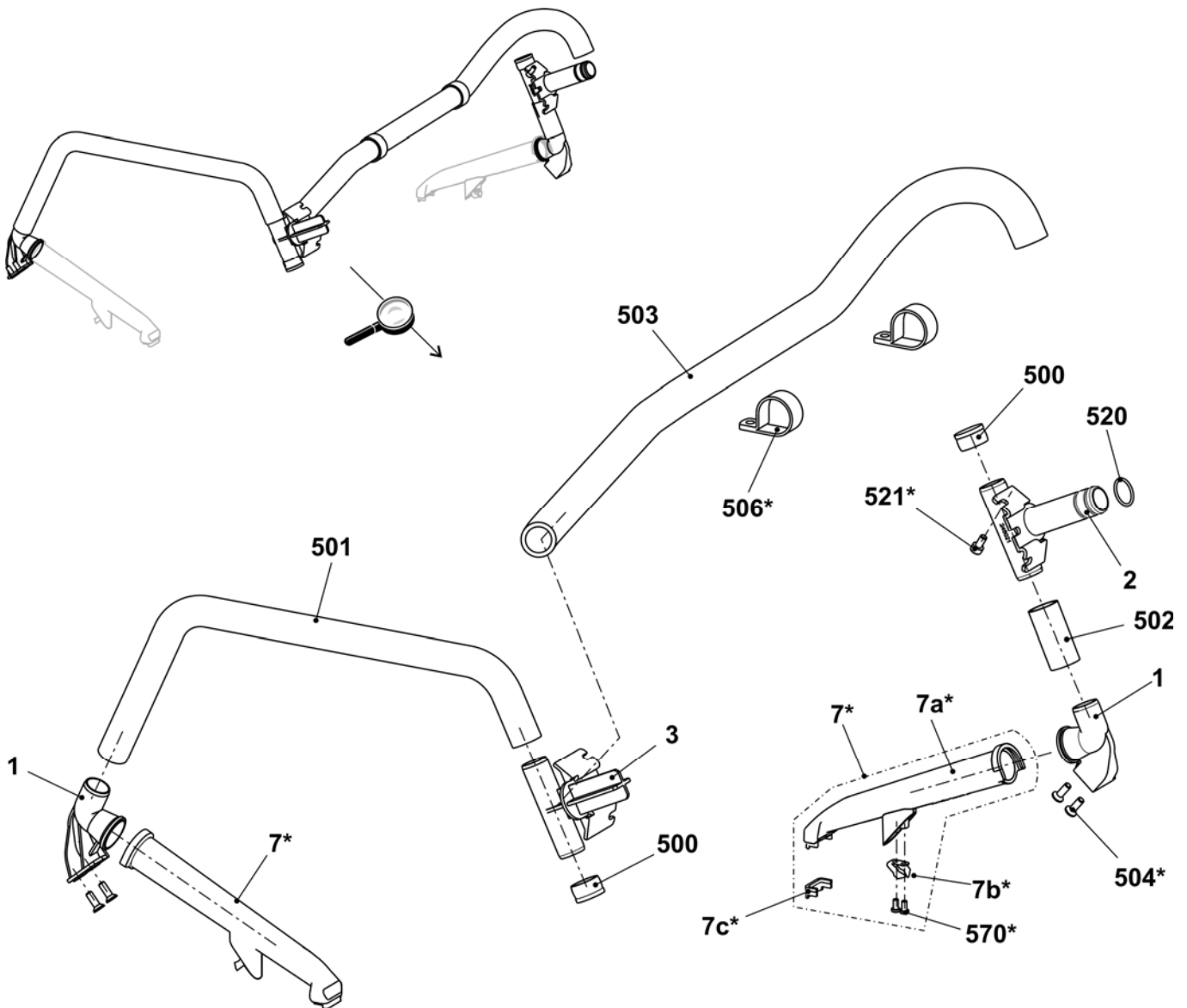
## Lint container

Pos	Designation	ID	Pos	Designation	ID
<b>Σ</b>	<b>Lint container</b>		6*	Sealing plug	245 029
1	Lint container	245 024	10*	Cover with filter	251 335
5*	Sealing plug	245 028	501*	Cap screw M6x10	023 690



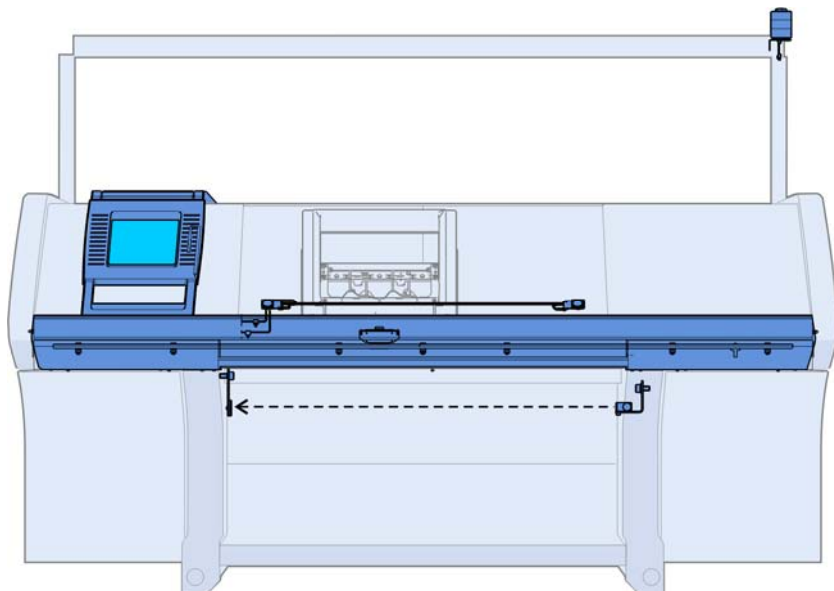
### Set of tubes

Pos	Designation	ID	Pos	Designation	ID	
<b>Σ</b>	<b>Set of tubes co. 520/730T</b>	<b>251 342</b>				
1	Angle connection on the right	250 121		7c*	Brush (E5-14)	
2	T-piece FLENT	245 021		570*	Screw KB30x6	
	520	O-ring 15x1.5	250 054	500	Sealing plug	
	521*	Cap screw M4x8	022 501	501	Suction hose 20x16x440	
3	Connection piece Flent	245 022	502	Suction hose 20x16x40	251 043	
7*	Suction tube co. (E7-14)	251 314	503	Suction hose 20x16x570	251 044	
	7a*	Suction tube	250 120	504*	Countersunk head screw M4x12	023 062
	7b*	Bracket	250 805	506*	Cable clip	250 051



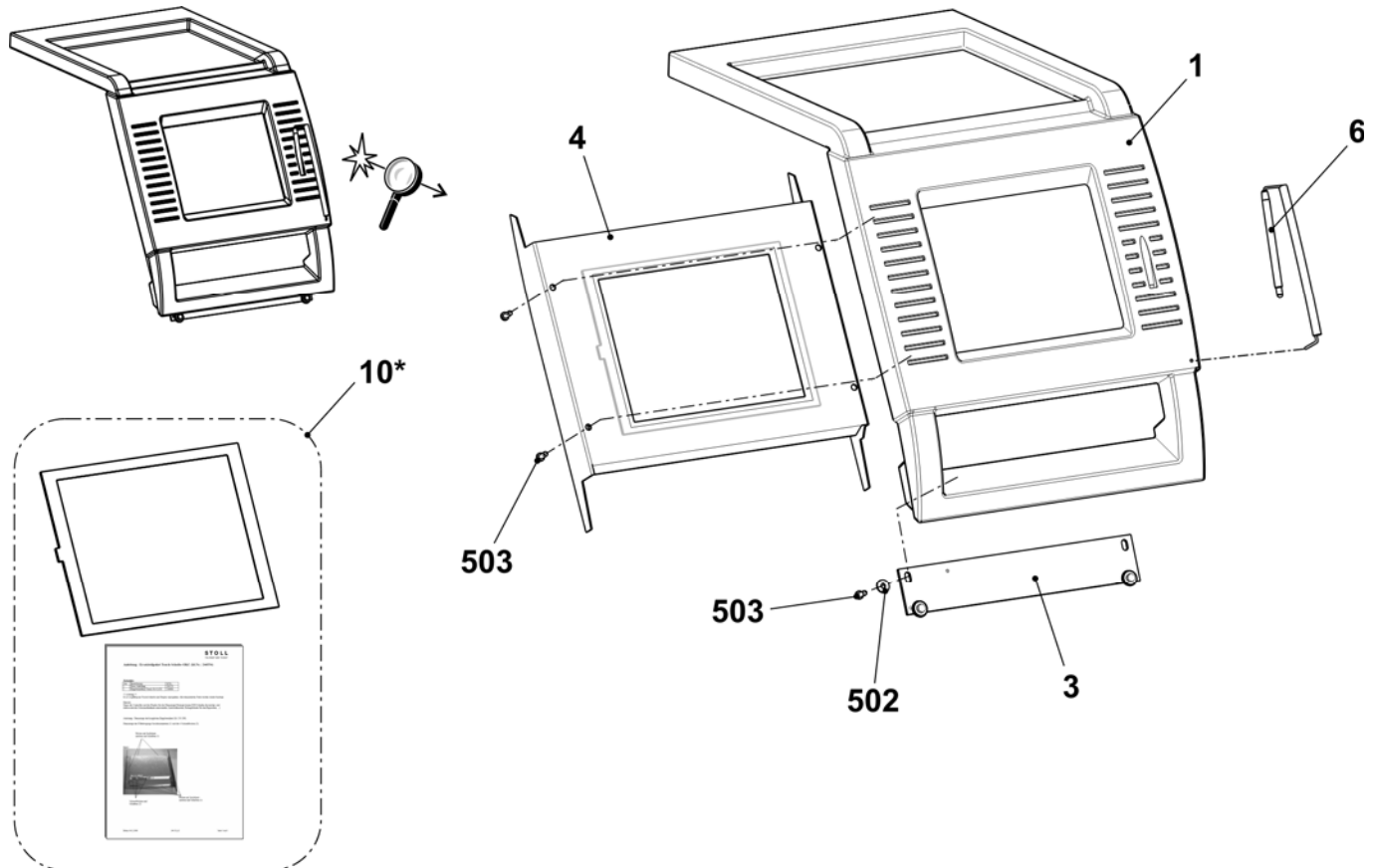


# Operation and control



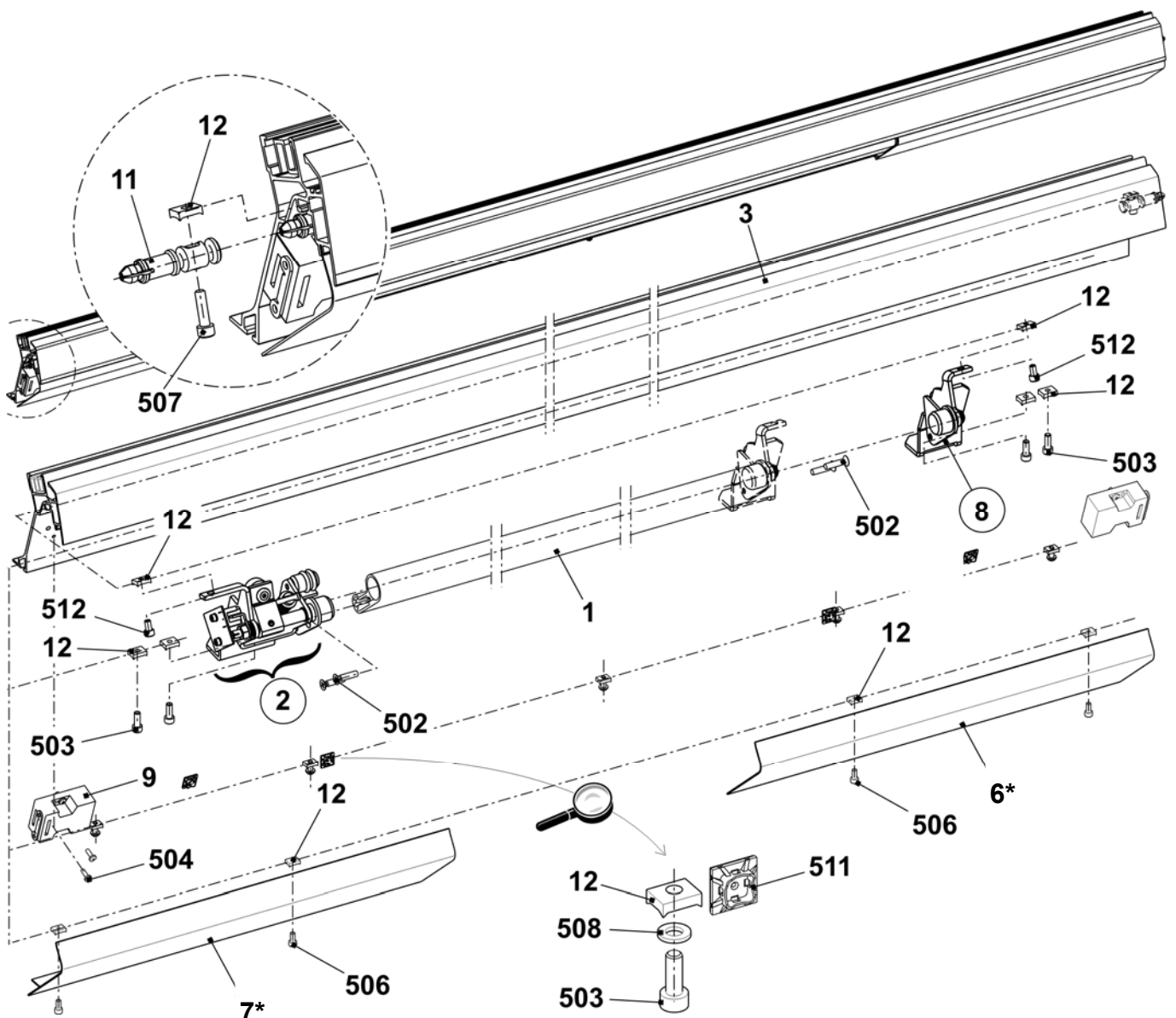
# Input unit

Pos	Designation	ID	Pos	Designation	ID
<b>Σ</b>	<b>Input unit co.</b>	<b>240 194</b>	6	Touch pen	242 812
1	Base frame	240 195	10*	Touch panel spare parts package	244 554
3	Bearing strip co.	240 198	502	U-washer	020 901
4	Display touch co.	250 298	503	Screw KB 50x12	240 359



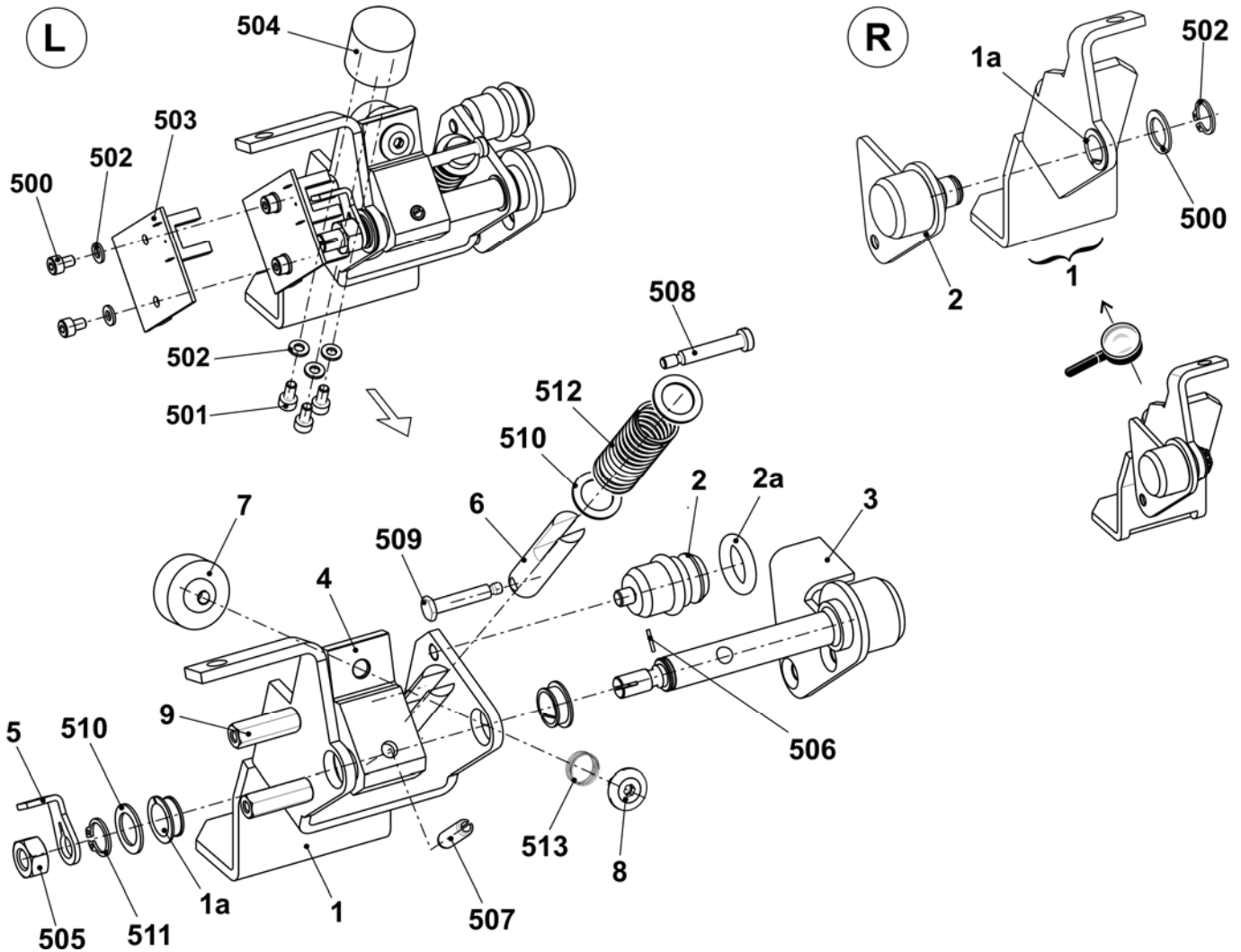
## Starting unit

Pos	Designation	ID	Pos	Designation	ID
$\Sigma$	<b>Starting unit co.</b>	<b>240 306</b>	12	Sliding nut (sliding block)	225 099
1	Engaging rod	240 227	502	Screw M6x25	023 510
2	Bearing on the left co.	250 071	503	Cap screw M6x16	020 135
3	Guide rail at the bottom co.	251 225	504	Countersunk screw M5x14	023 588
6*	Cover plate on the right	250 931	506	Cap screw M6x12	020 134
7*	Cover plate on the left	250 932	507	Cap screw M6x20	020 136
8	Bearing on the right co.	252 964	508	U-washer	020 872
9	Switch with cable to protective hoods	223 350	511	Adhesive base	243 055
11	Fixing bolt	219 107	512	Cap screw M6x10	023 690



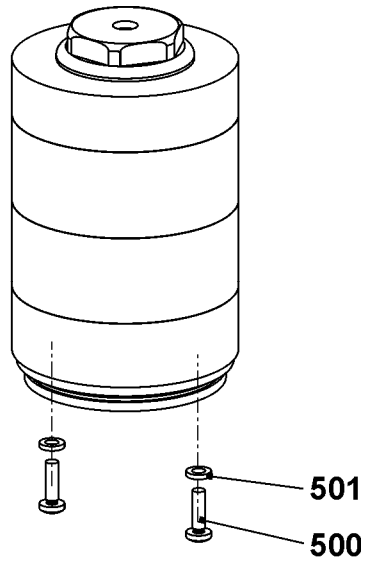
## Bearing of the engaging rod

Pos	Designation	ID	Pos	Designation	ID
<b>L</b>	<b>Bearing on the left co.</b>	<b>250 071</b>			
1	Bearing on the left	245 218	505	Hexagon nut M8-6	020 838
1a	Clip bearing MCM12-04	023 639	506	Dowel pin 1.5x8	236 923
2	Support buffer	220 561	507	Spring dowel sleeve 6x20	023 719
2a	O-ring 14x4	023 237	508	Shoulder screw M4x24.8x7.7	240 299
3	Shaft on the left	245 219	509	Shoulder screw	251 316
4	Rotor	253 776	510	Shim ring 12x18x1	023 315
5	Switch flag	245 220	511	Locking ring 12x1	020 951
6	Spring pin	251 340	512	Compression spring 1.25x15x98.2	023 609
7	Disc	245 222	513	Compression spring 0.5x11x12	251 369
8	Shoulder screw	254 528			
9	Distance bolt	240 287	<b>R</b>	<b>Bearing on the right co.</b>	<b>252 964</b>
500	Cap screw M4x6	023 067	1	Bearing on the right	240 230
501	Cap screw M4x8	022 501	1a	Clip bearing MCM 12-04	023 639
502	Shim ring 4x8x1	023 369	2	Shaft on the right	242 888
503	Card engaging OKC	240 167	500	Shim ring 12x18x1	023 315
504	Adhesive magnet direct current	026 233	502	Locking ring 12x1	020 951



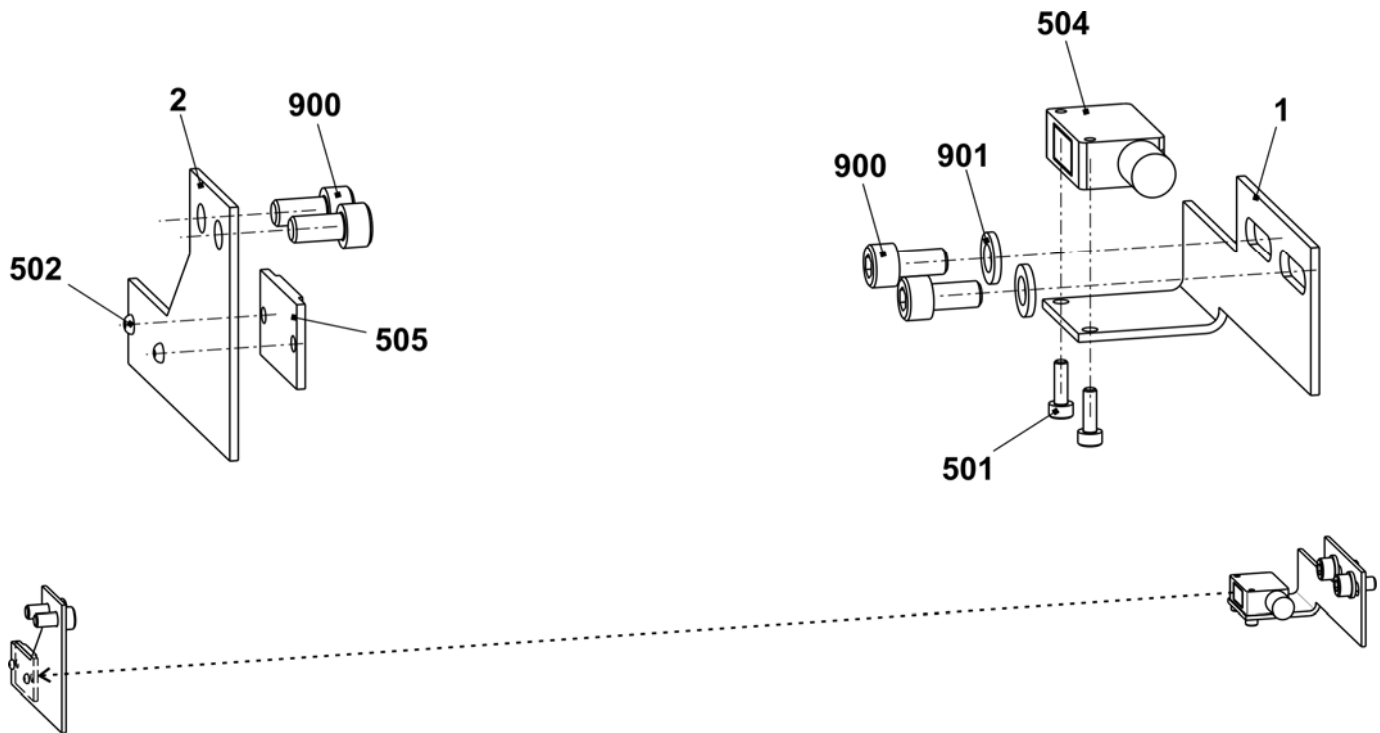
## Signal light

Pos	Designation	ID	Pos	Designation	ID
<b>Σ</b>	<b>Warning light LED</b>	<b>240 395</b>			
	500	Countersunk screw M4x14			
	501	Serrated lock washer A4.3-FS			



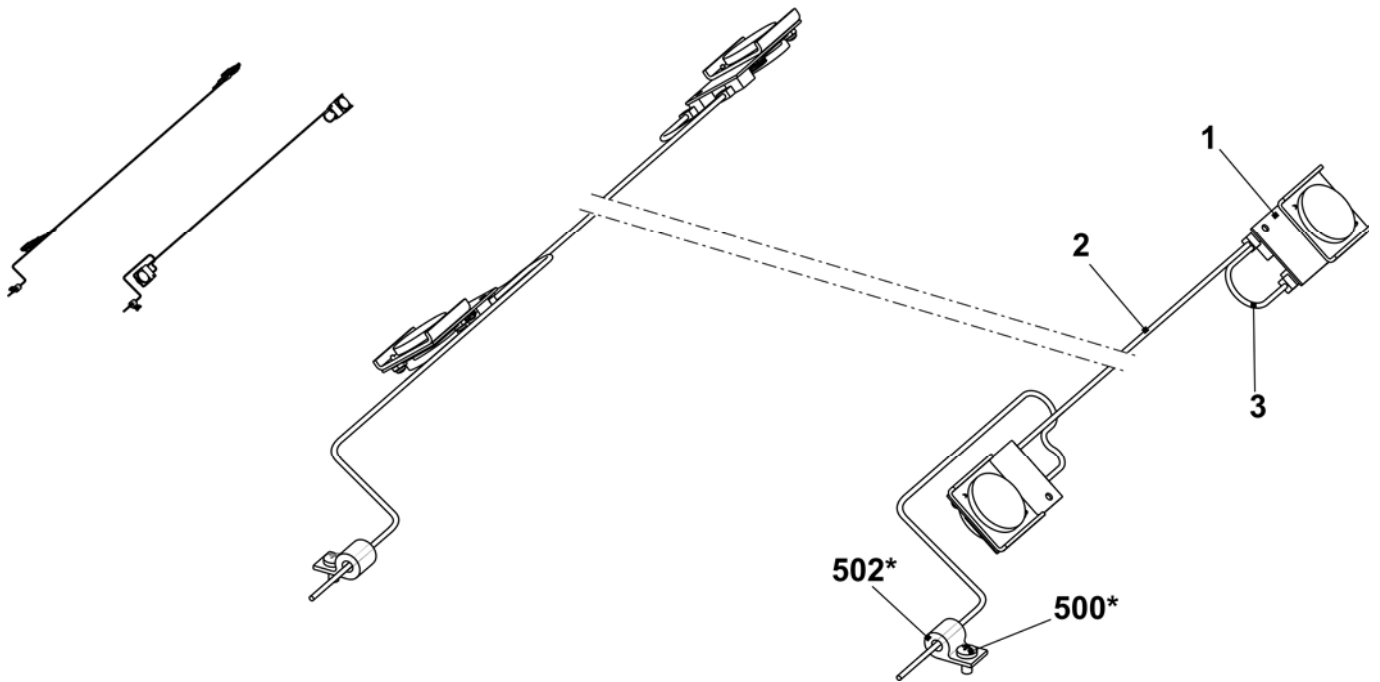
## Collecting area - control

Pos	Designation	ID	Pos	Designation	ID
<b>Σ</b>	<b>Collecting area - control</b>				
1	Angle support photoelectric sensor	243 353	504	Photoelectric sensor WI100-P4330	243 355
2	Mounting plate reflector	243 354	505	Reflector 20x20 mm	243 356
501	Cap screw M3x10	022 991	900	Cap screw M6x12	020 134
502	Blind rivet A3x8-Al	023 158	901	U-washer 6	020 872



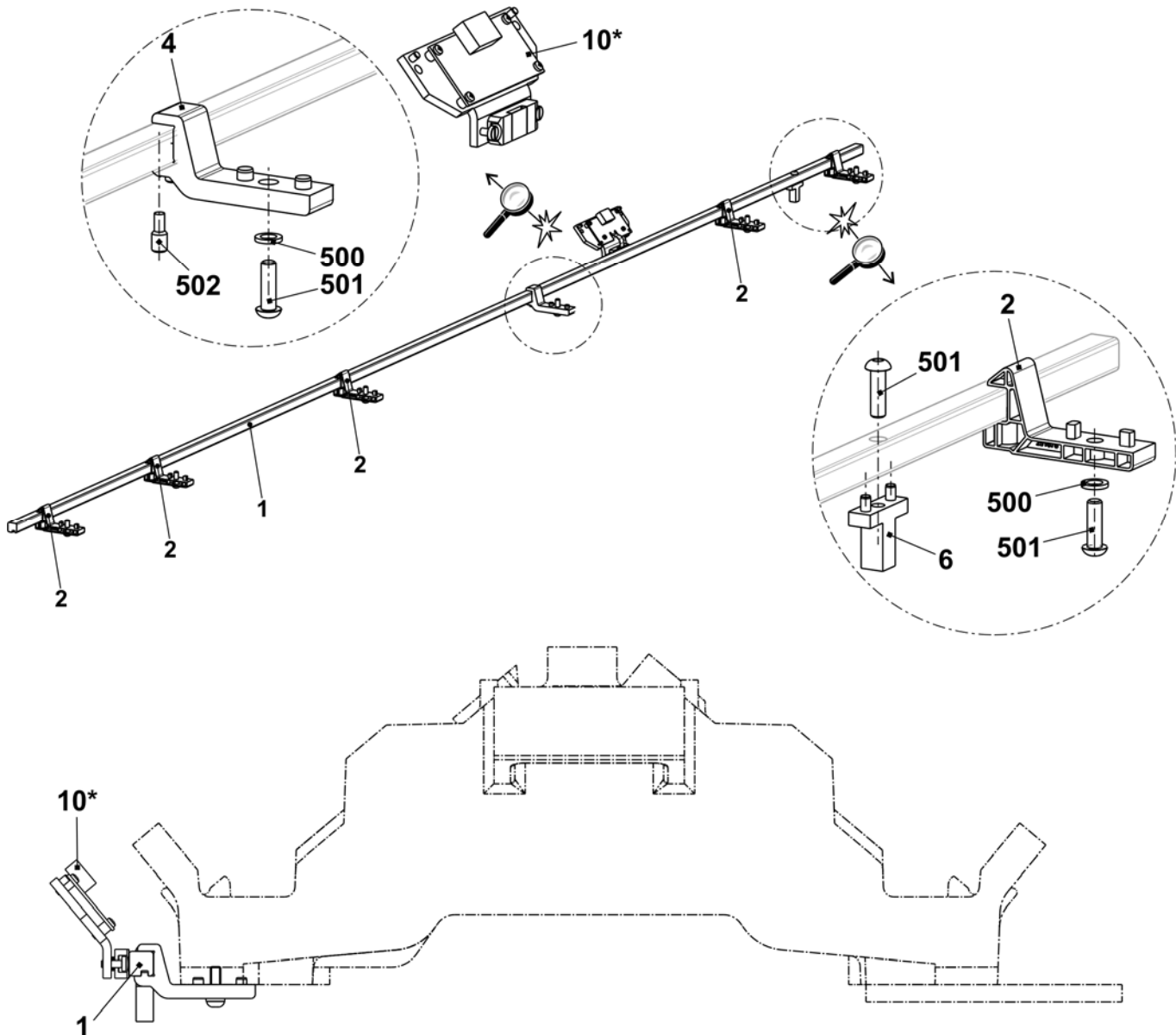
## Shock stop motion (up to E14)

Pos	Designation	ID	Pos	Designation	ID
$\Sigma$	<b>Shock stop motion co. E5 – E14</b>	<b>241 819</b>	3	End plug piezo sensor	220 053
1	Shock stop motion (Piezo)	220 011	500	Countersunk screw M4x8	023 036
2	Connecting cable piezo sensor	220 061	502	Cable clip N-3B, 5 mm	210 729



## Measuring device E7 + E8

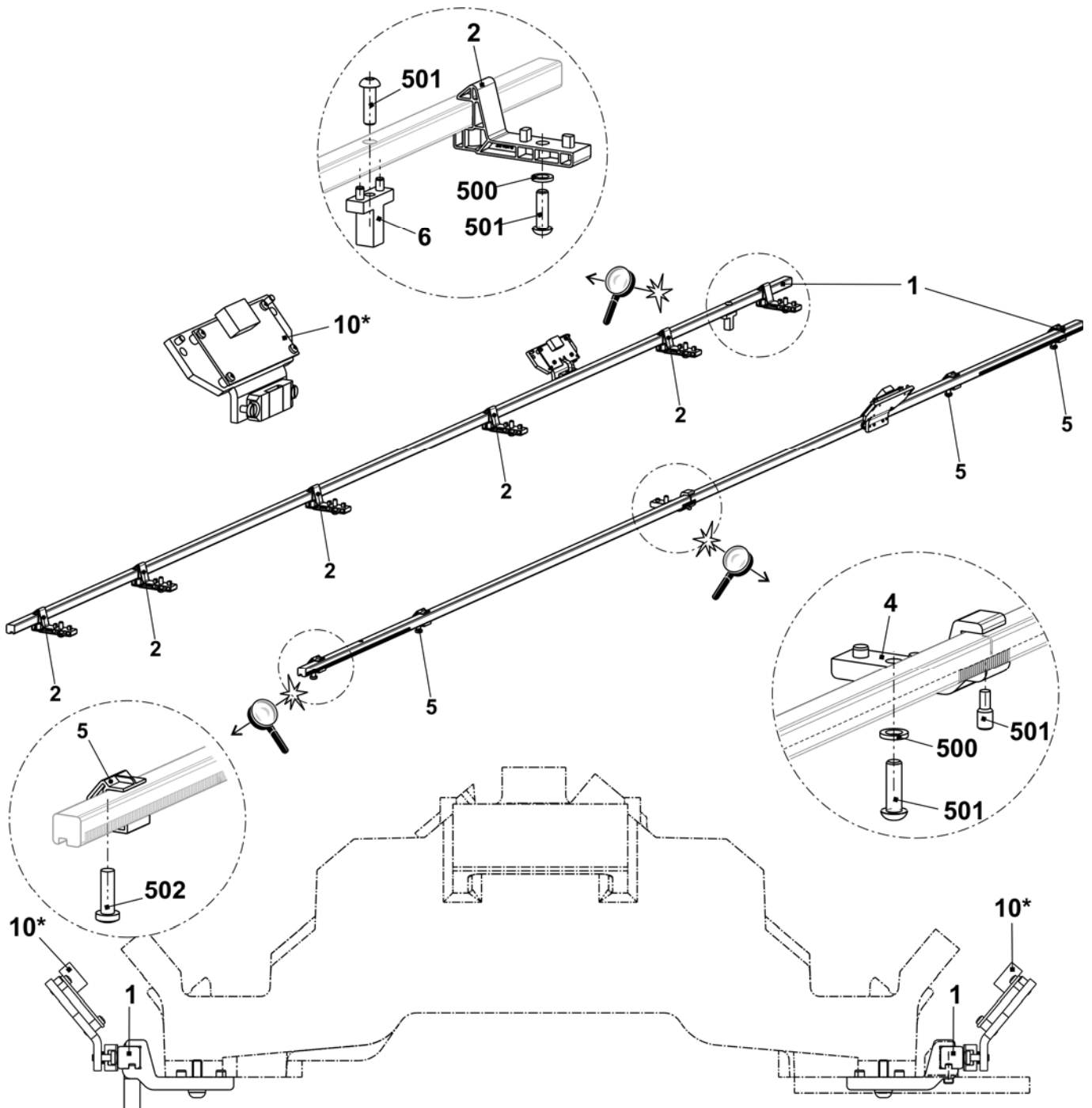
Pos	Designation	ID	Pos	Designation	ID
$\Sigma$	<b>Measuring device E7 + E8</b>				
1	Measuring bar	253 868	10*	Measuring head co.	240 562
2	Guidance	251 676	500	U-washer	020 881
4	Guidance	240 672	501	Countersunk screw M6x20	241 603
6	Stop point	242 913	502	Set screw	230 803



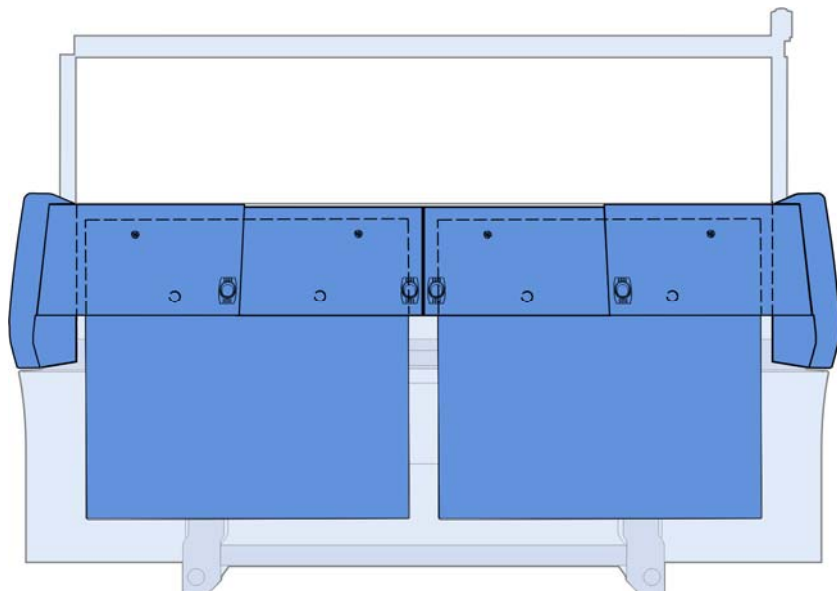


## Measuring device E10 + E12 + E14

Pos	Designation	ID	Pos	Designation	ID
Σ	<b>Measuring device E10 + E12 + E14</b>		6	Stop point	242 913
1	Measuring bar	253 868	10*	Measuring head co.	240 562
2	Guidance	251 676	500	U-washer	020 881
4	Guidance	240 672	501	Countersunk screw M6x20	241 603
5	Guidance exterior	251 605	502	Screw 60x20	243 625

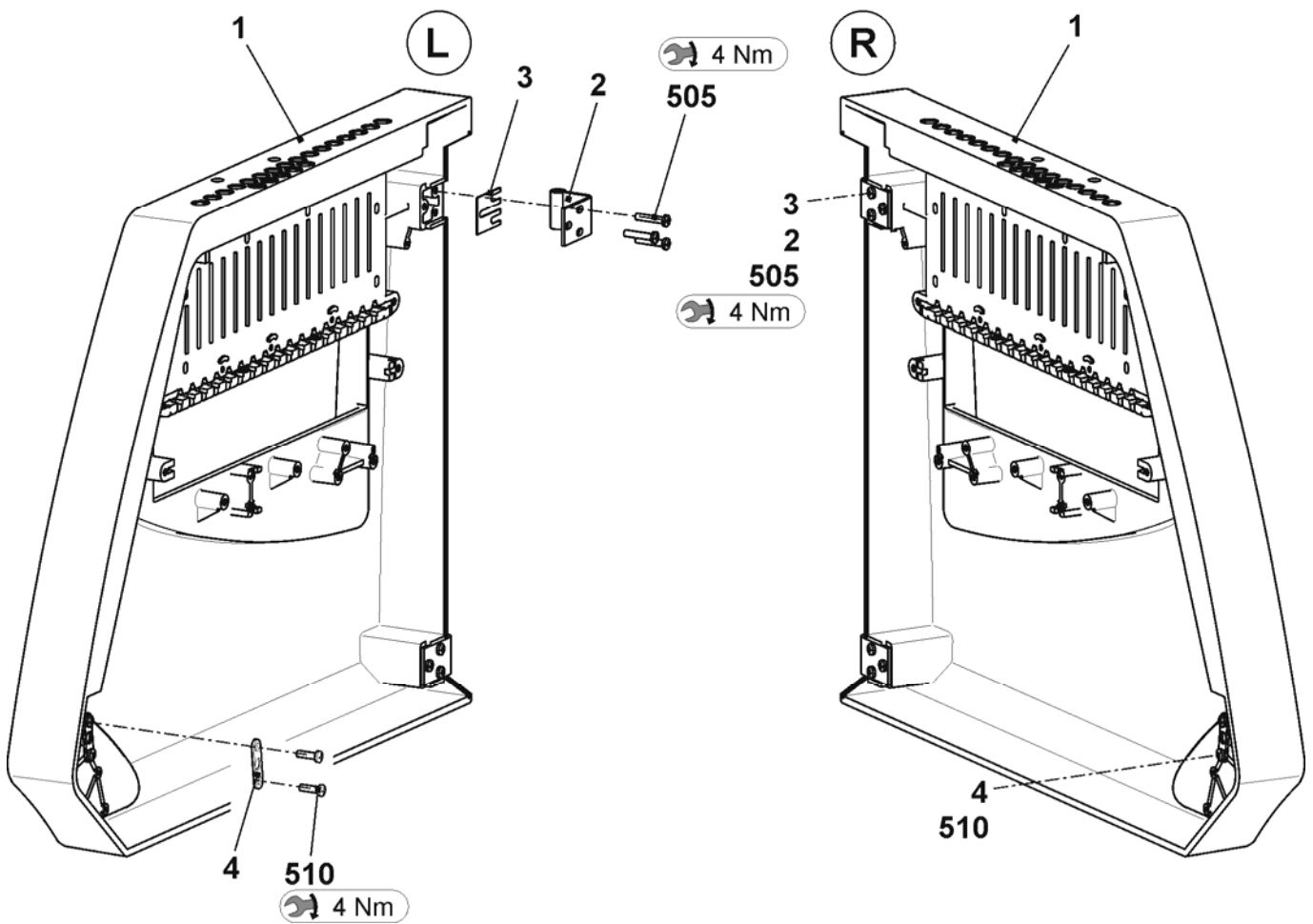


# Protective units



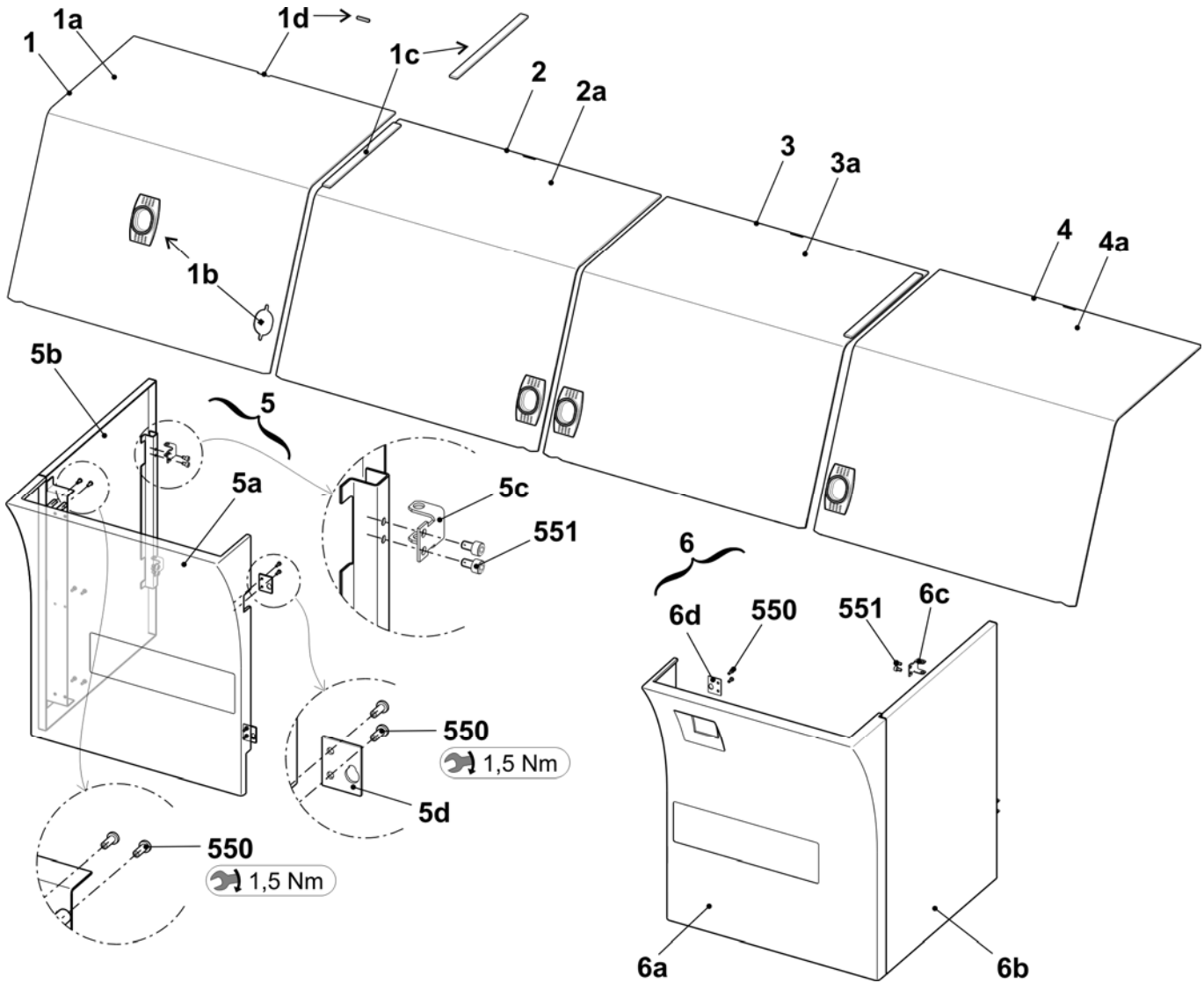
## Lateral safety covers

Pos	Designation	ID	Pos	Designation	ID
$\Sigma$	<b>Left safety cover</b>		$\Sigma$	<b>Right safety cover</b>	
	E7 - E8	241 272		E7 - E8	241 275
	E10 - E18	241 273		E10 - E18	241 276
1	Safety cover on the left	250 562	1	Safety cover on the right	250 563
2	Hinge	241 994	505	Screw KB 60x30	237 683
3	Plate	224 717	510	Screw KB 60x20	237 682
4	Locking plate	219 748			



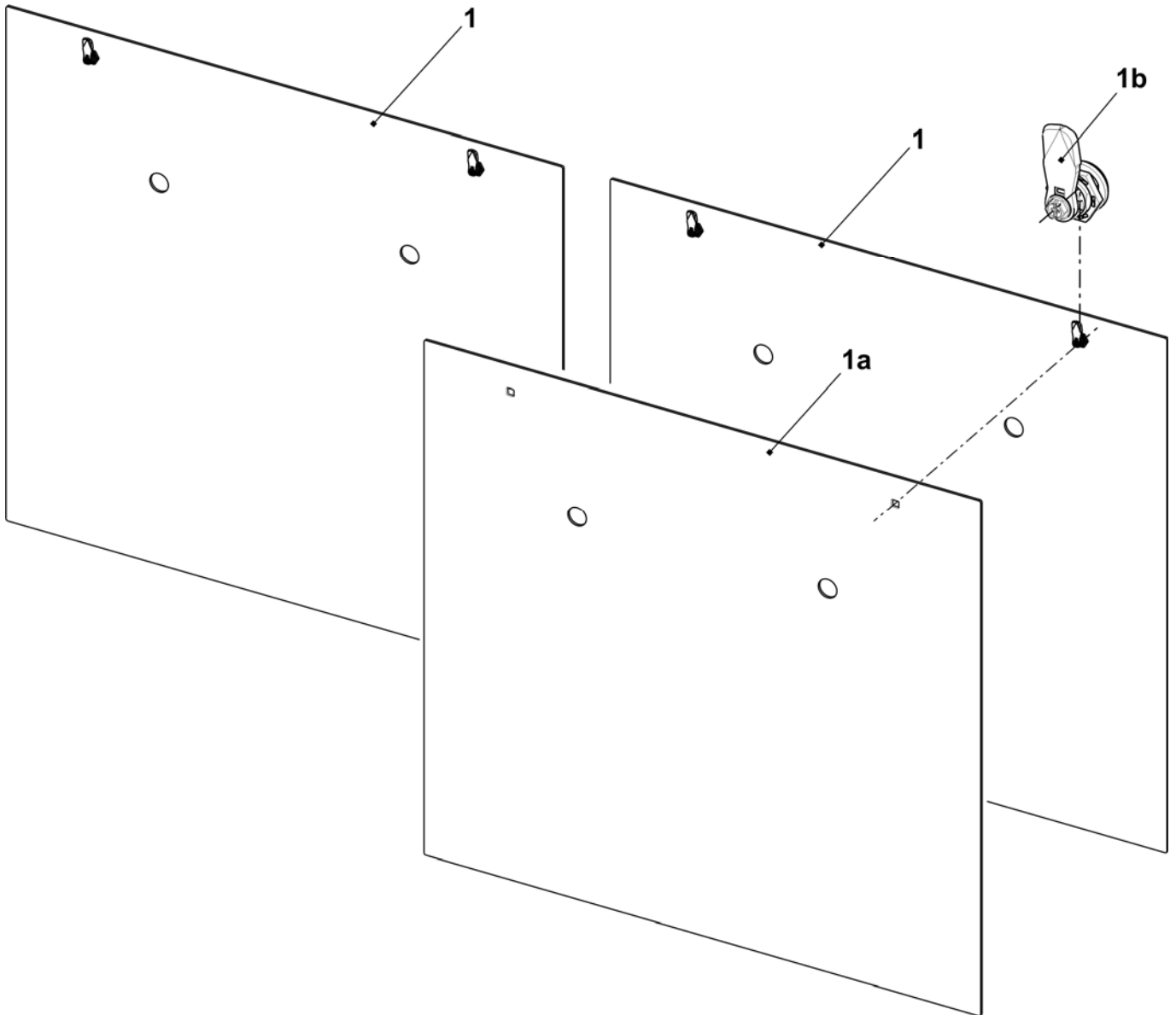
# Panelling

Pos	Designation	ID	Pos	Designation	ID
1	Cover 1 co.	250 680	3	Cover 3 co.	250 682
	1a Cover 1	250 684		3a Cover 3	250 686
	1b Inlet type handle	251 376		1b Inlet type handle	251 376
	1c Stripper	219 393		1c Stripper	219 393
	1d Magnet	204 666		1d Magnet	204 666
2	Cover 2 co.	250 681	4	Cover 4 co.	250 683
	2a Cover 2	250 685		4a Cover 4	250 687
	1b Inlet type handle	251 376		1b Inlet type handle	251 376
	1c Stripper	219 393		1c Stripper	219 393
	1d Magnet	204 666		1d Magnet	204 666
5	Control unit panelling on the left co.	251 233	6	Control unit panelling on the right co.	251 234
	5a Control unit panelling on the left	251 185		6a Control unit panelling on the right	251 186
	5b Side part	244 989		6b Side part	244 989
	5c Hinge	250 273		6c Hinge	250 273
	5d Strap	240 412		6d Strap	240 412
	550 Screw KB 50x12	240 359		550 Screw KB 50x12	240 359
	551 Cap screw M6x16	020 135		551 Cap screw M6x16	020 135

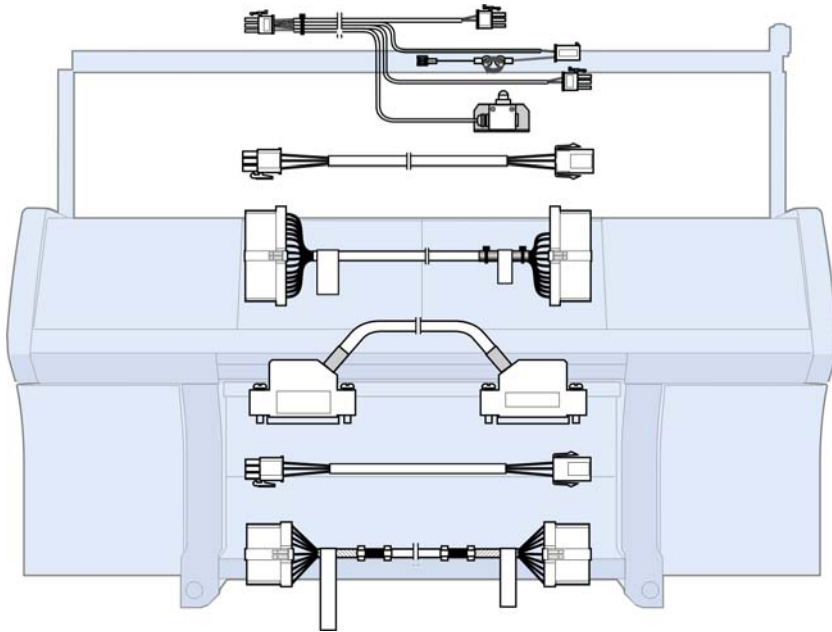


## Rear panel

Pos	Designation	ID	Pos	Designation	ID
1	Panelling at the rear co.	251 565	1a	Panelling	251 564
			1b	Safety sash fastener	243 052





# Electrical equipment



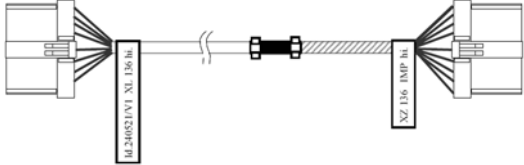
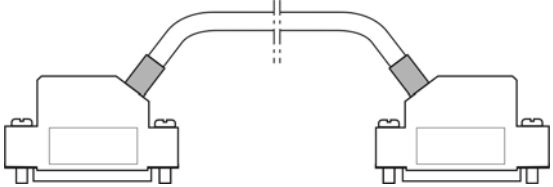
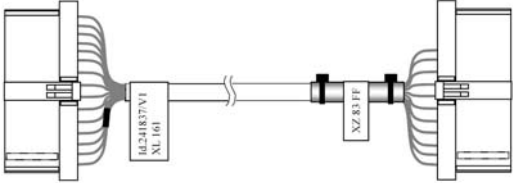
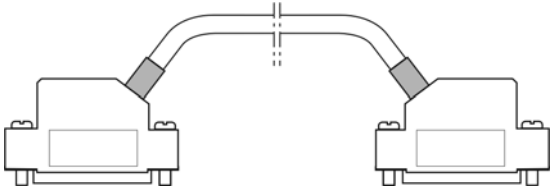


## Fuses

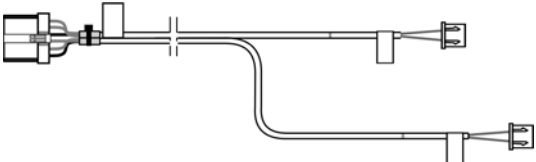
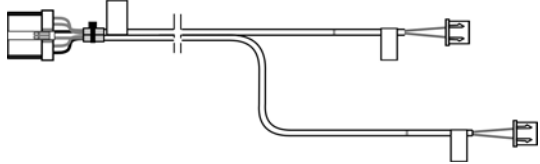
	<i>Designation</i>	<i>ID</i>
	Fuse 1.0A F 5x20	008 748
	Fuse 3.15A T/440V 6.3x32	025 261
	Fuse 10A T/440V 6.3x32	025 258
	Fuse 2.5A T/440V 6.3x32	217 465
	Fuse 1.6A T/440V 6.3x32	236 229
	Fuse 6.3A T/440V 6.3x32	026 809
	Fuse 8A T/440V 6.3x32	241 866
	Fuse 12.5A T/440V 6.3x32	232 367



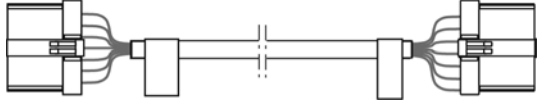
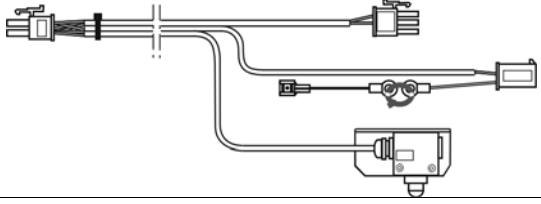

## Trailing cable

<i>Designation</i>	<i>ID</i>	<i>Designation</i>	<i>ID</i>
Cable impulse giver at the rear XL136	240 521	Cable SM at the rear XL325	243 928
Cable impulse giver at the front XL137	240 522	Cable SM at the front XL327	243 927
			
Cable yarn carrier XL161	241 837	Cable signal at the rear XL326	243 929
			

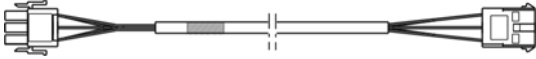
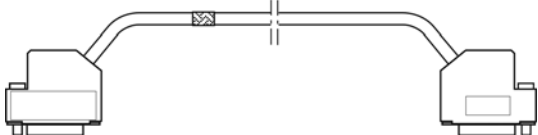
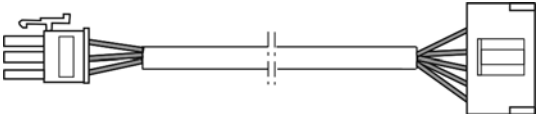
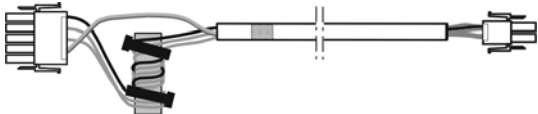

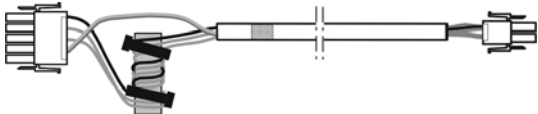
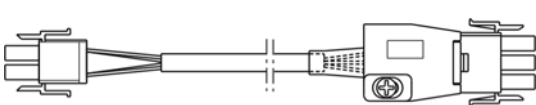
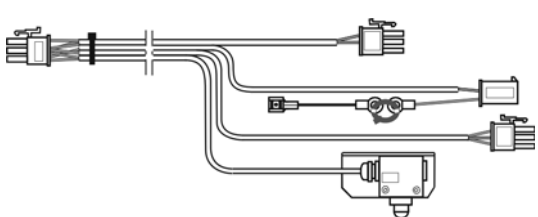
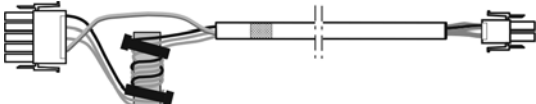
## Cable set installation

Designation		ID	Designation		ID
Σ	<b>Cable set installation 530T okc</b>	<b>243 900</b>			
1	Loom of cables base 1 OKC	240 256	4	Loom of cables 50" OKC	240258
2	Loom of cables base 2 OKC	240 257	5	Loom of cables 530T/1 OKC	243 894
3	Loom of cables comb OKC	240 259	6	Loom of cables 530T/2 OKC	243 895
8	Cable Piezo needle bed OKC	240 518	10	Cable switch main take-down 50" OKC	240 537
					

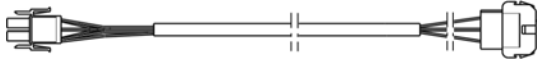
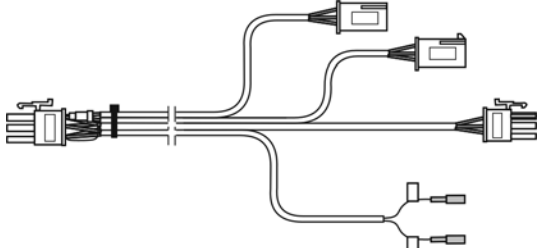
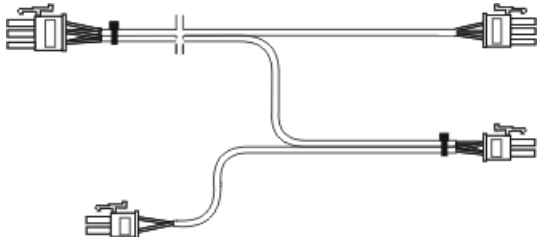
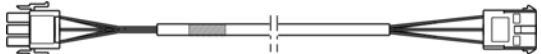
## Loom of cables base 1 OKC

<i>Designation</i>		<i>ID</i>	<i>Designation</i>		<i>ID</i>
<b>Σ</b>	<b>Loom of cables base 1 OKC</b>	<b>240 256</b>			
	Cable engaging OKC 3XX	240 289		Cable protective unit on the left OKC	238 705
					
	Cable mains supply FKE lamp OKC	240 290			
					


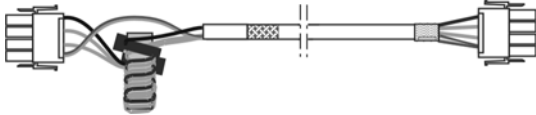


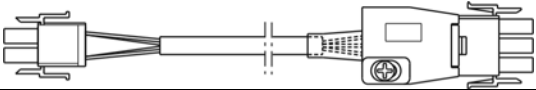

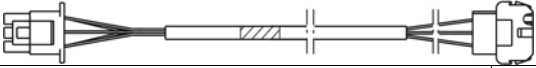


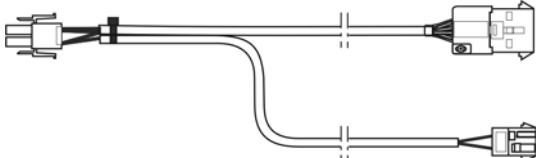
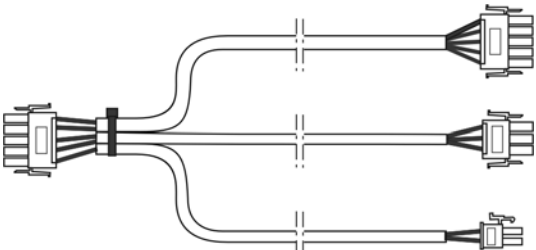
## Loom of cables base 2 OKC

Designation		ID	Designation		ID
<b>Σ</b>	<b>Loom of cables base 2 OKC</b>	<b>240 257</b>			
	Cable motor HIAB OKC	240 291		Cable resolver drive OKC	240 296
					
	Cable limit switch racking OKC 3xx	240 292		Cable racking motor OKC 3xx	240 297
					
	Cable ventilator drive 3xx OKC	240 293		Cable resolver racking OKC 3xx	240 298
					
	Cable feed wheel on the right / on the left OKC	240 294		Cable protective unit on the right OKC	238 706
					
	Cable drive motor okc 3xx	240 295			
					

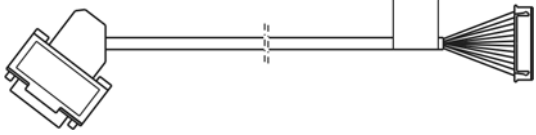
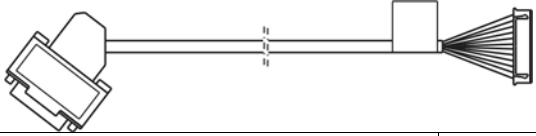
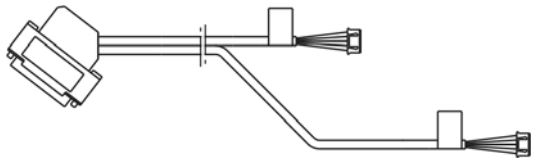
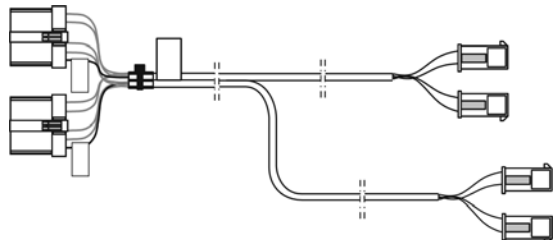
## Loom of Cables for Comb

Designation		ID	Designation		ID
Σ	<b>Loom of cables comb OKC</b>	<b>240 259</b>			
	Cable motor comb hook OKC	240 308			
	Cable switch KAHA OKC	240 309			
	Cable motor comb OKC	240 310			
					
					
					

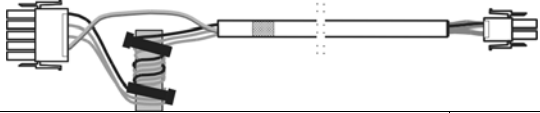
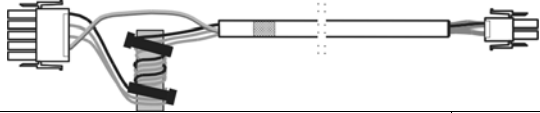
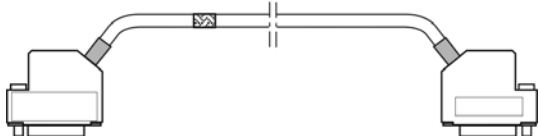
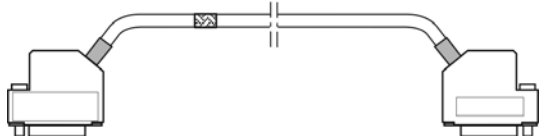
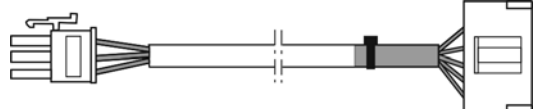
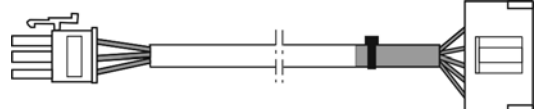
## Loom of cables 50"

<i>Designation</i>	<i>ID</i>	<i>Designation</i>	<i>ID</i>
<b>Loom of cables 50" OKC</b>	<b>240 258</b>		
Cable CAN 50" okc	240 459	Cable power supply Servo 50" okc	240 502
			
Cable electro 50" OKC	238 703	Cable power supply of mains supply OKC	240 505
			
Cable feed wheel on the left 50" OKC	240 464	Cable power supply lighting	236 572
			
Cable motor HIAB 50" OKC	240 467	Cable switch HIAB 3xx OKC	240 472
			
Cable impulse giver HIAB 50" OKC	240 468	Cable power supply FLENT	243 141
			
Cable power supply WAZ/F 50" OKC	240 469		
			

## Loom of cables 530T/1

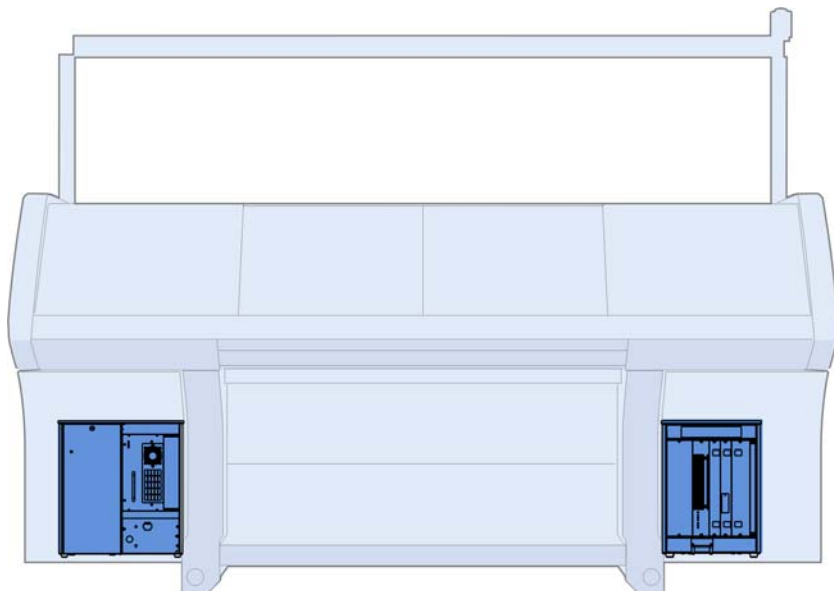
Pos	Designation	ID	Pos	Designation	ID
<b>Σ</b>	Loom of cables 530/1 OKC	<b>243 894</b>			
	Cable CC drive on the right okc	243 897		Cable CC drive on the left okc	240 612
					
	Cable CC sensors 50" okc	243 896		Cable Piezo additional bed OKC	243 898
					

## Loom of cables 530T/2

Pos	Designation	ID	Pos	Designation	ID
<b>Σ</b>	Loom of cables 530/2 OKC	<b>243 895</b>			
	Cable racking motor ZB on the left 530T	243 891		Cable racking motor ZB front/right 530T	243 547
					
	Cable resolver ZB on the left	243 892		Cable resolver racking ZB front/right	243 548
					
	Cable racking limit switch ZB on the left 530T	243 893		Cable racking limit switch ZB front/right	243 549
					

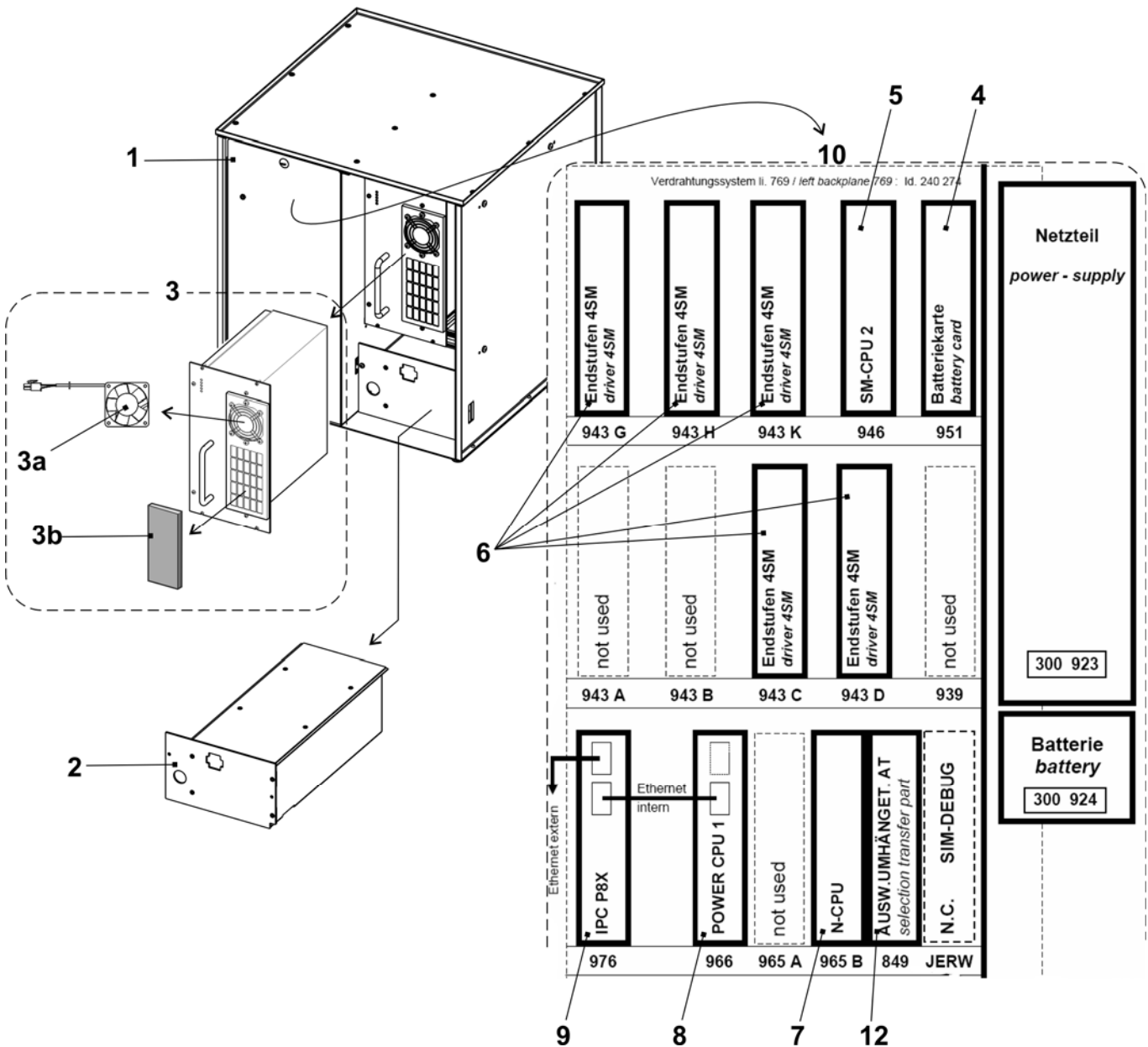


## Control electronics



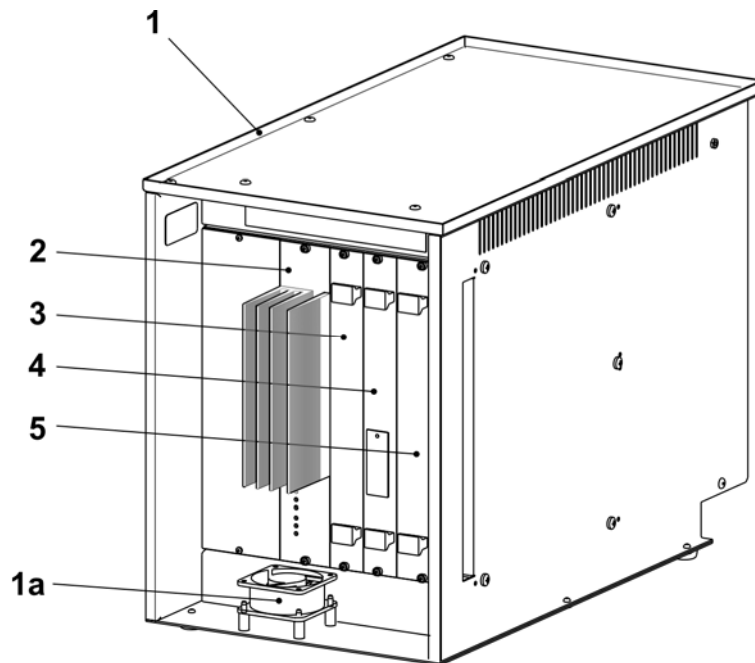
# Left control cabinet

Pos	Designation	ID	Pos	Designation	ID
<b>Σ</b>	<b>Control unit on the left co. 530T okc</b>	<b>240 760</b>	5	Card SM-CPU 2	300 946
1	Control unit on the left without equipment okc	240 757	6	Card amplifier 4SM 7TE	300 943
2	Battery plug-in unit	300 924	7	Card N-CPU 432	300 965
3	Power supply CG54	300 923	8	Card power CPU1	300 966
	3a Ventilator power supply	239 305	9	Card IPC P8X OKC	300 976
	3b Filter mat CG54	239 350	10	Adhesive label of card equipment	243 268
4	Card battery OKC	300 951	12	Card selection transfer part	300 849

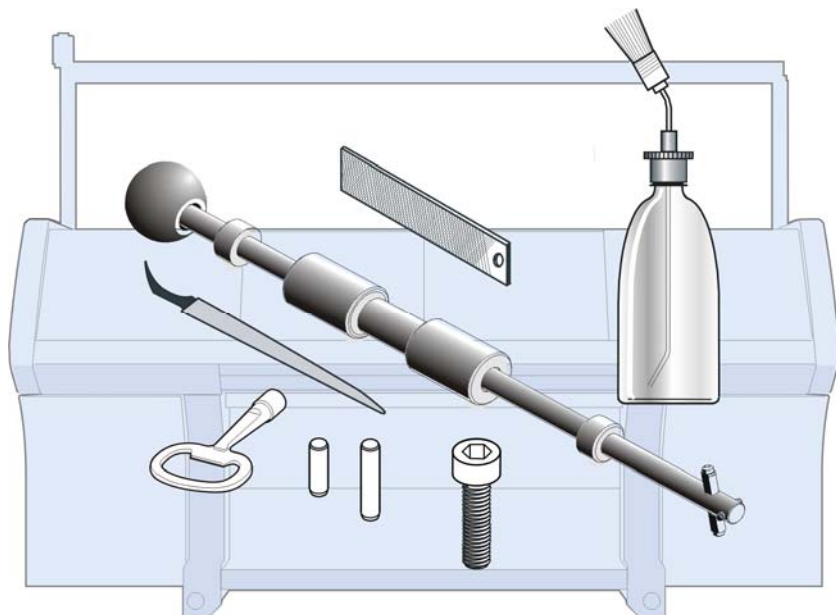


## Right control cabinet

Pos	Designation	ID	Pos	Designation	ID
<b>Σ</b>	<b>Control unit on the right co. OKC</b>	<b>241 310</b>			
1	Control unit on the right without equipment 4A okc	241 322	3	Card relay OKC	300 953
	1a Axial ventilator Servo05	229 059	4	Card CWAZ	300 929
2	Card servo 6 okc	301 000	5	Card CWAZ capacitor 8 μF	300 948



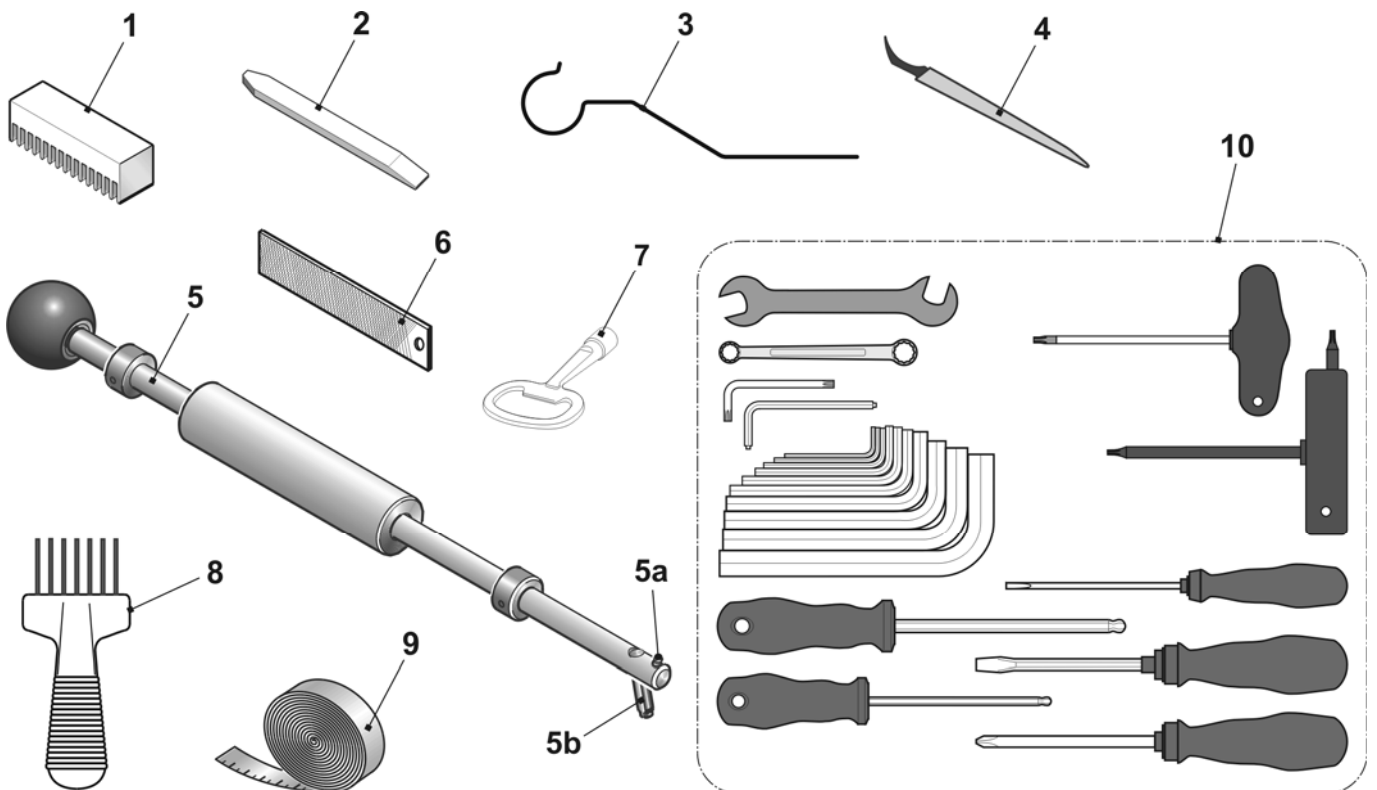
## Deliverable accessories



You can order the following tools, lubricants and expendables.  
The following list is not conformed with the scope of delivery of the knitting machine.

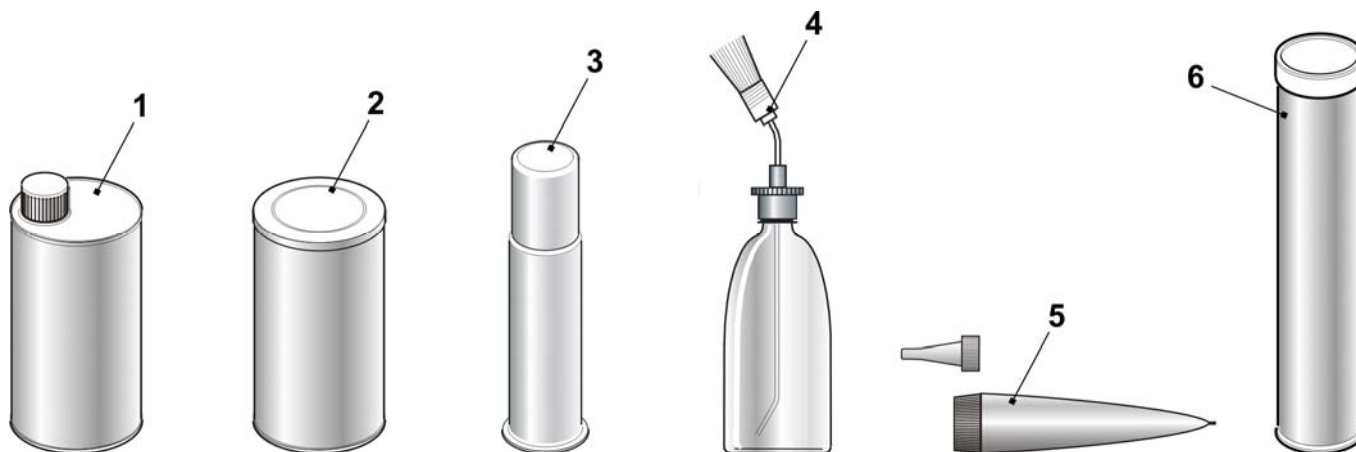
## Tool

Pos	Designation	ID	Pos	Designation	ID
1	Channel support E4	062 309	6	Groove file 1.33 mm E3-4	006 169
	Channel support E5, E2,5.2	062 310		Groove file 1.25 mm E5-8, E3,5.2	006 170
	Channel support E7, E3,5.2	062 312		Groove file 0.90 mm E10-12, E5.2 + 6.2	006 175
	Channel support E8	062 313		Groove file 0.73 mm E14, E7.2	006 173
	Channel support E10, E5.2	062 314		Groove file 0.45 mm E16-18, E9.2	006 179
	Channel support E12, E6.2	062 315		7	Key of switch cabinet
	Channel support E14, E7.2	218 069	8		Groove cleaner E4
	Channel support E16, E8.2	230 188		Groove cleaner E5	031 233
	Channel support E18, E9.2	230 189		Groove cleaner E6	031 234
	Channel support E20	230 190		Groove cleaner E7, E3,5.2	031 235
2	Channel chisel E14-20 (E5-14)	062 316		Groove cleaner E8	031 236
	Channel chisel E4-8 (E3,5.2)	062 317		Groove cleaner E10 (E5.2)	031 238
	Channel chisel E10-14	062 318		Groove cleaner E12 (E6.2)	031 240
3	Yarn guide on the left	227 071		Groove cleaner E14 (E7.2)	031 242
	Yarn guide on the right	227 070		Groove cleaner E16	225 111
4	Working hook	227 249		Groove cleaner E18 (E9.2)	225 112
5	Extraction hook	232 027	Groove cleaner E20	225 113	
	5a Small pin	202 843	9	Measuring tape L=150 cm	228 180
	5b Pin	232 022		10	Tool kit



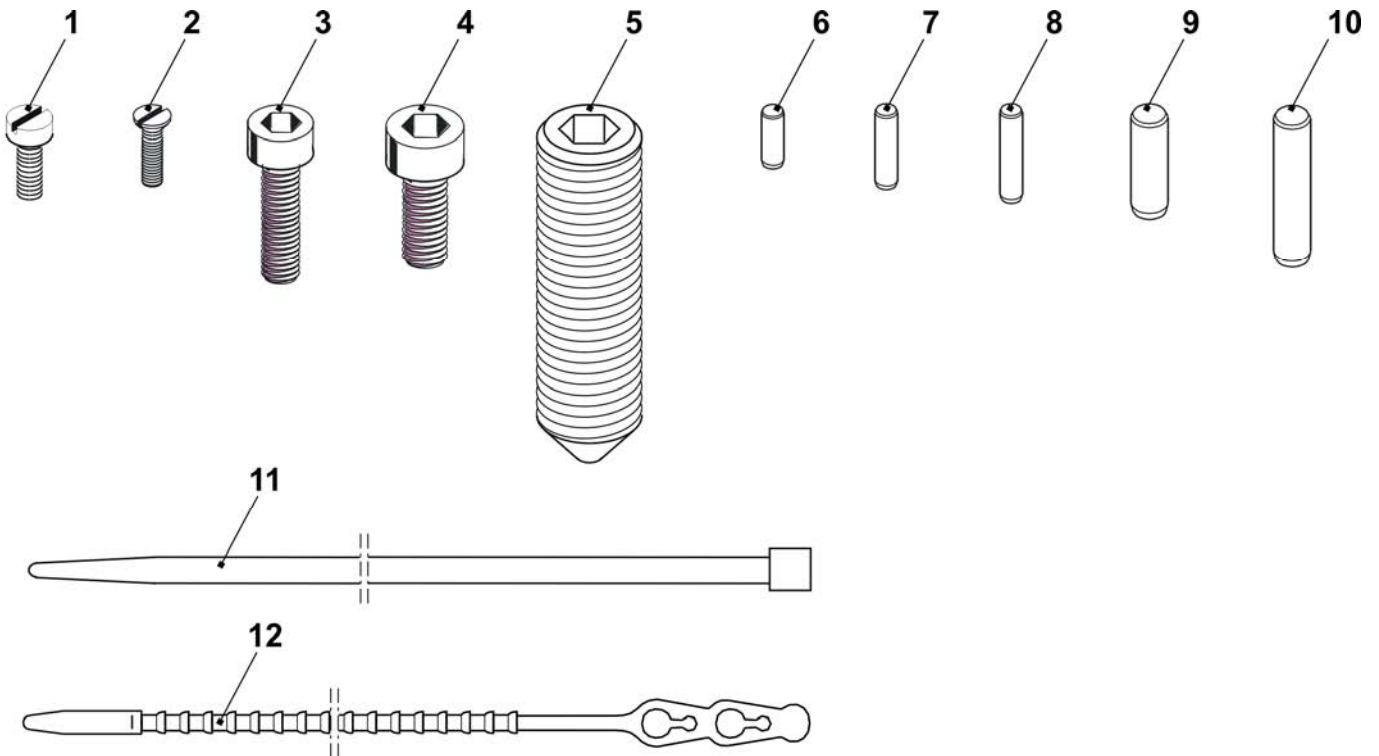
## Lubricating stuff

Pos	Designation	ID	Pos	Designation	ID
1	Textile machines oil T46, 1l	230 614	4	Ölkombifix	216 732
2	Grease OKS 475, 1kg	009 200	5	White grease paste OKS270	229 372
3	Grease OKS 475, 150g	005 351	6	Grease Staburags NBU 12/300KP	231 191

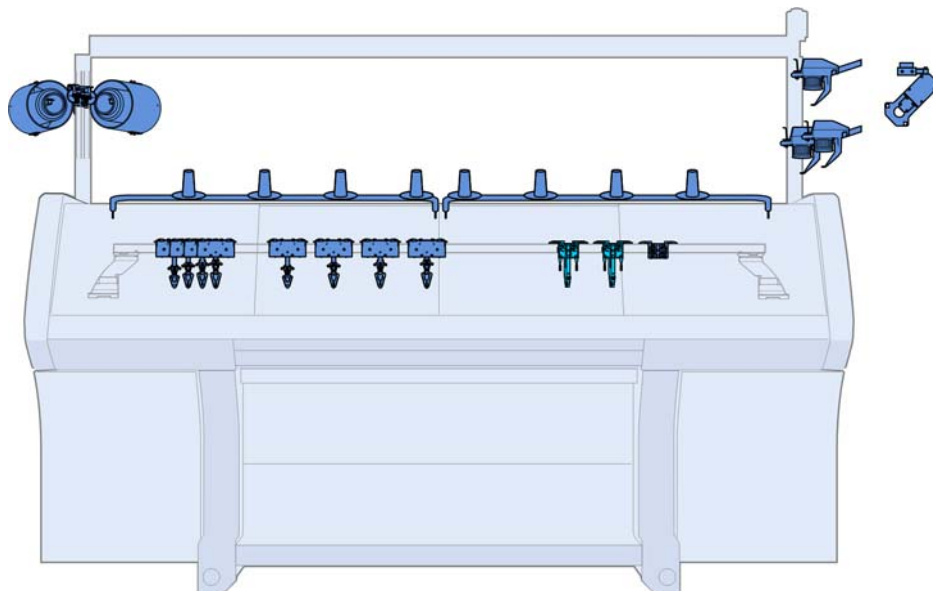


## Mechanical parts

Pos	Designation	ID	Pos	Designation	ID
1	Cap screw M4x8	020 091	11	Cable binder 203x3.6 mm	025 815
2	Countersunk screw M3x6	020 286		Cable binder T50L	026 294
3	Cap screw M5x16	022 726		Cable binder 140x3.6mm	008 379
4	Cap screw M6x14	022 658		Cable binder 302x4.8 mm	008 642
5	Set screw M16x50	023 235		Cable binder 92x2.4mm	008 378
6	Setting pin 3x7	020 643	12	Reusable tie ABV 232 320 mm	026 557
7	Setting pin 3x10	020 645			
8	Setting pin 3x12	020 647			
9	Setting pin 5x12	021 988			
10	Setting pin 5x18	022 622			



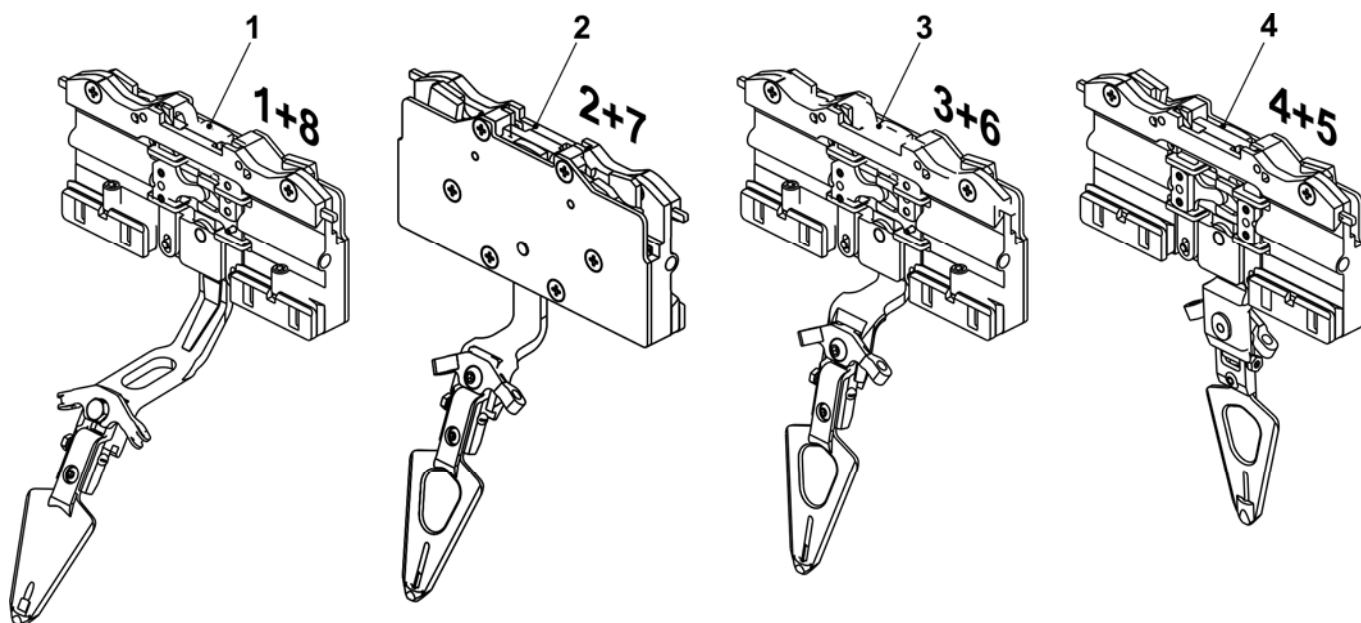
# Special equipment





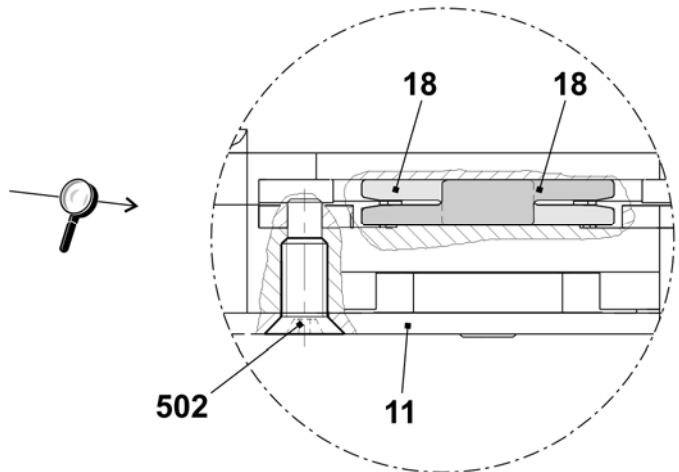
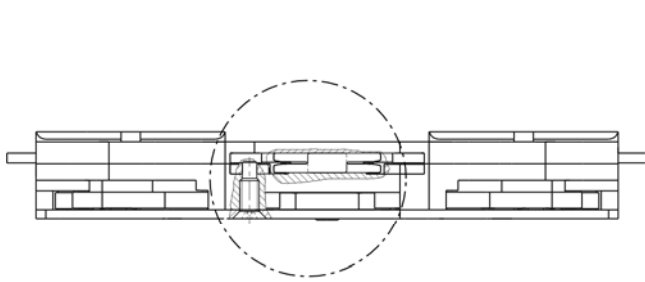
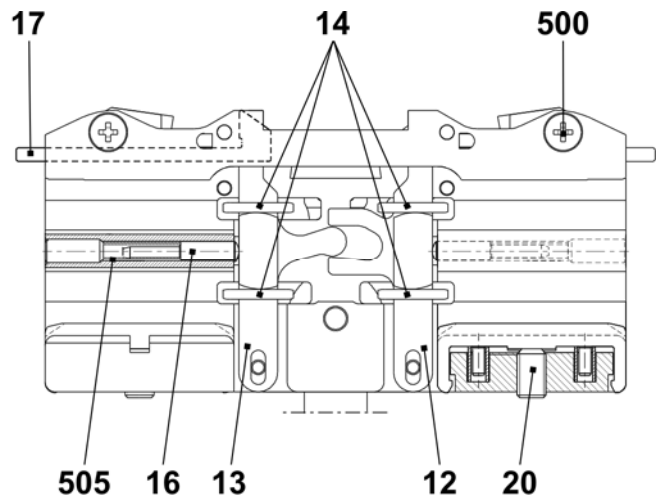
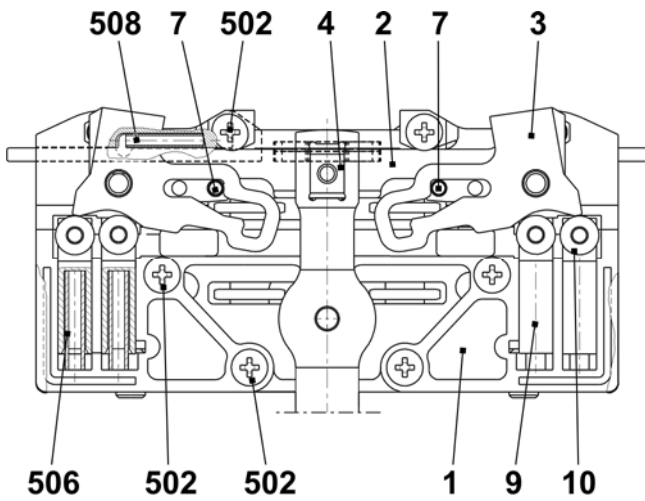
## Intarsia yarn carriers complete

Pos	Designation	ID	Pos	Designation	ID
<b>Σ</b>	<b>E7-8</b>		<b>Σ</b>	<b>E14</b>	
1	IYC carriage 1 + 8 co.	212 975	1	IYC carriage 1 + 8 co.	214 146
2	IYC carriage 2 + 7 co.	212 978	2	IYC carriage 2 + 7 co.	214 147
3	IYC carriage 3 + 6 co.	212 981	3	IYC carriage 3 + 6 co.	214 148
4	IYC carriage 4 + 5 co.	212 984	4	IYC carriage 4 + 5 co.	214 149
<b>Σ</b>	<b>E10-12</b>				
1	IYC carriage 1 + 8 co.	212 976			
2	IYC carriage 2 + 7 co.	212 979			
3	IYC carriage 3 + 6 co.	212 982			
4	IYC carriage 4 + 5 co.	212 985			



# Carriage IYC

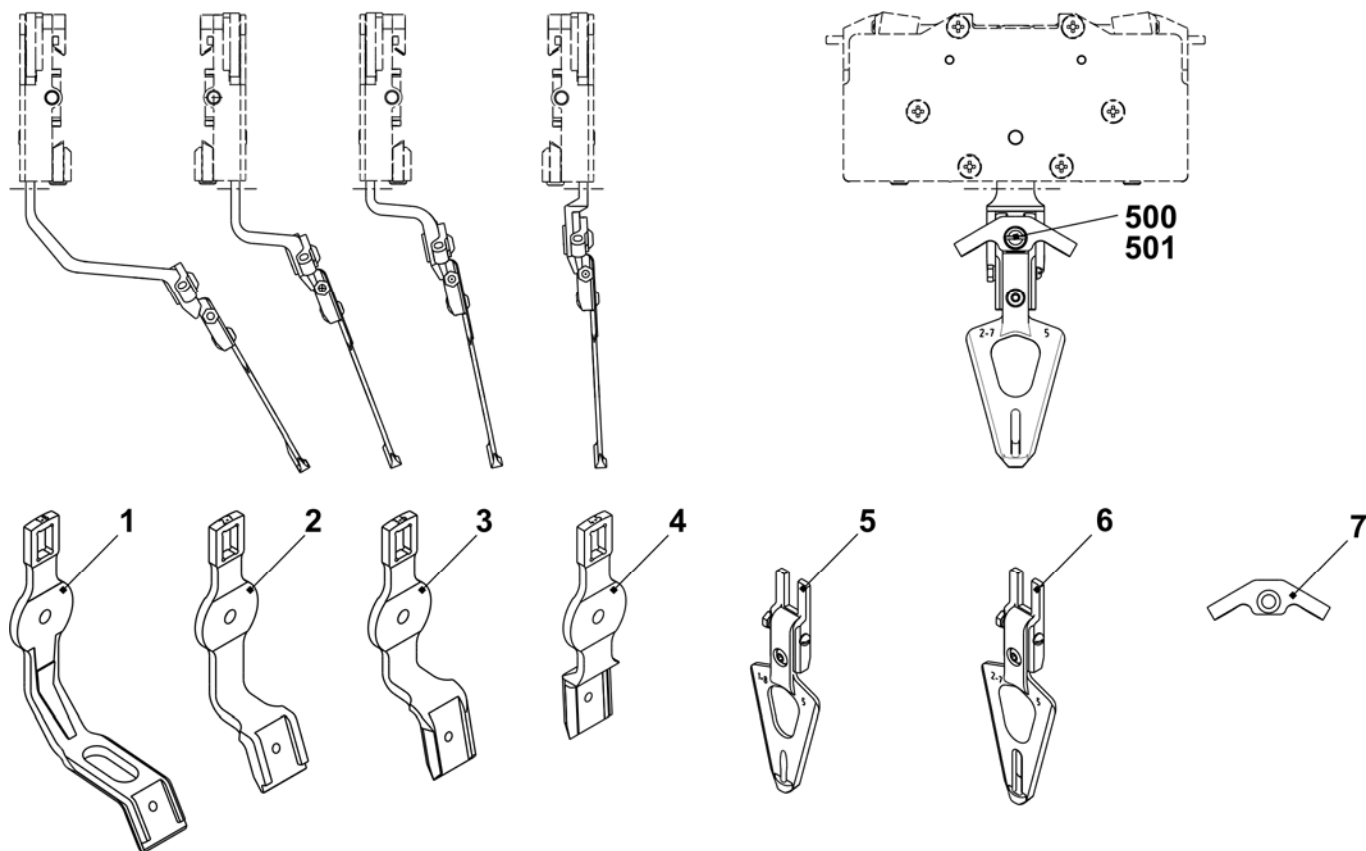
Pos	Designation	ID	Pos	Designation	ID
1	Basic plate co.	216 031	14	Pressure plate 2,04	201 654
	20 Threaded bolt	213 399		Pressure plate 2,06	208 924
2	Slider co.	217 170		Pressure plate 2.02	235 740
3	Locking plunger	212 508	16	Spring pin	201 677
4	Sliding block	213 807	17	Lifter	212 547
7	Locating pin 3,3	212 504	18	Sliding part	212 543
	Locating pin 3,4	212 505	20	Threaded bolt	213 399
	Locating pin 3.5	212 506	500	Countersunk head screw M4x6	022 994
9	Thrust piece	212 773	502	Countersunk head screw M4x12.5	022 979
10	Pressure roller	212 774	505	Compression spring 0.4x3.2x26.5	022 982
11	Cover	212 507	506	Compression spring 4.0x0.7x25	022 969
12	Clamping lever on the right	216 087	508	Compression spring 2.8x0.35x19	023 394
13	Clamping lever on the left	216 0 88			



## Bow and head IYC

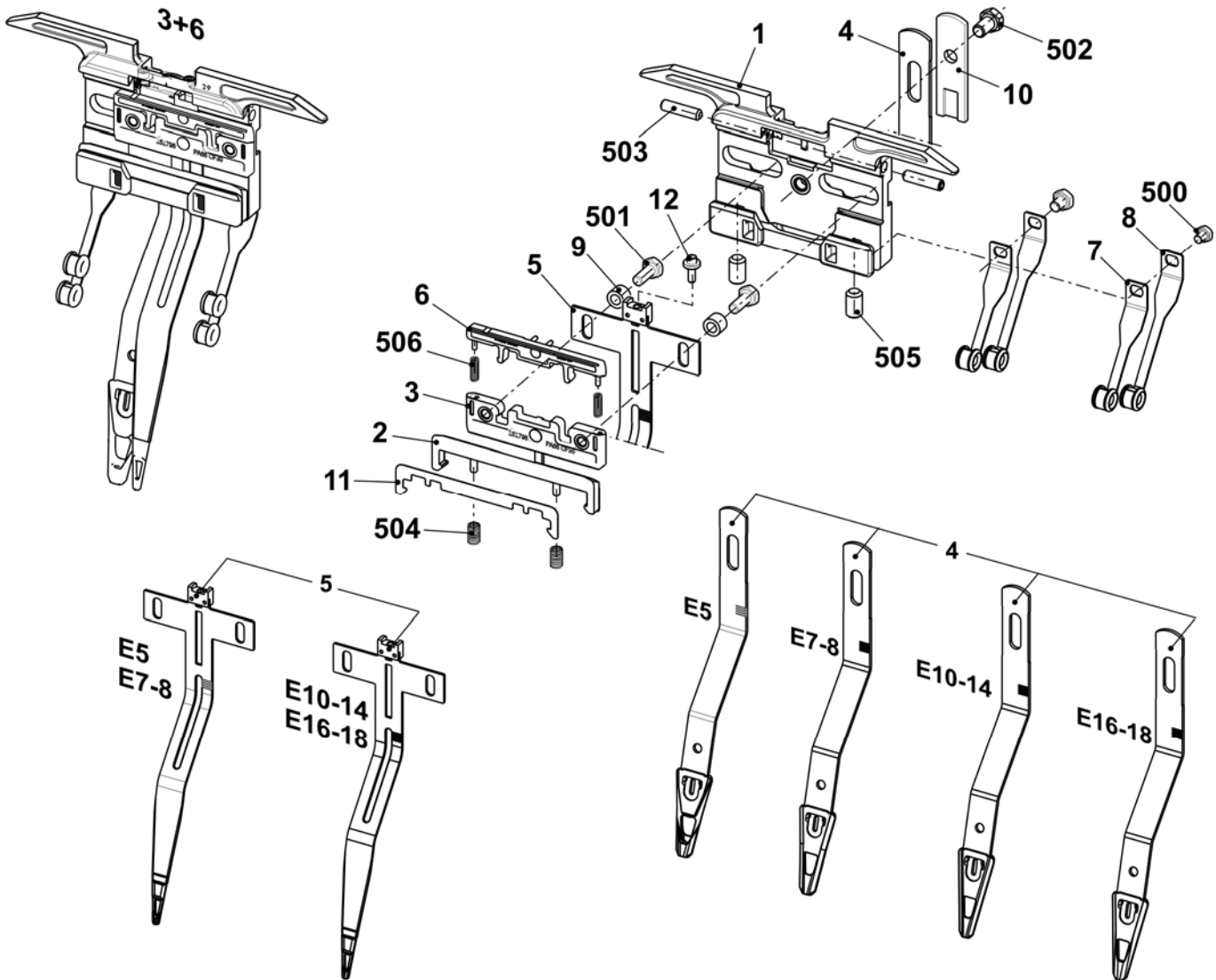
Pos	Designation	ID	Pos	Designation	ID
1	YC bow 1+8	212 986	7	Yarn guide angle	201 672
2	YC bow 2+7	212 987	500	Countersunk screw M4x8	023 579
3	YC bow 3+6	212 988	501	Circlip S4-FST	022 774
4	YC bow 4+5	212 989			

Pos	Designation	Gauge	Track	ID	Pos	Designation	Gauge	Track	ID
5	YC head	E7 - E8	1 + 8	208 580	6	YC head	E7 - E8	2 + 7	208 582
		E10 - E12		209 700			E10 - E12	3 + 6	209 701
		E14		213 864			E14	4 + 5	213 865



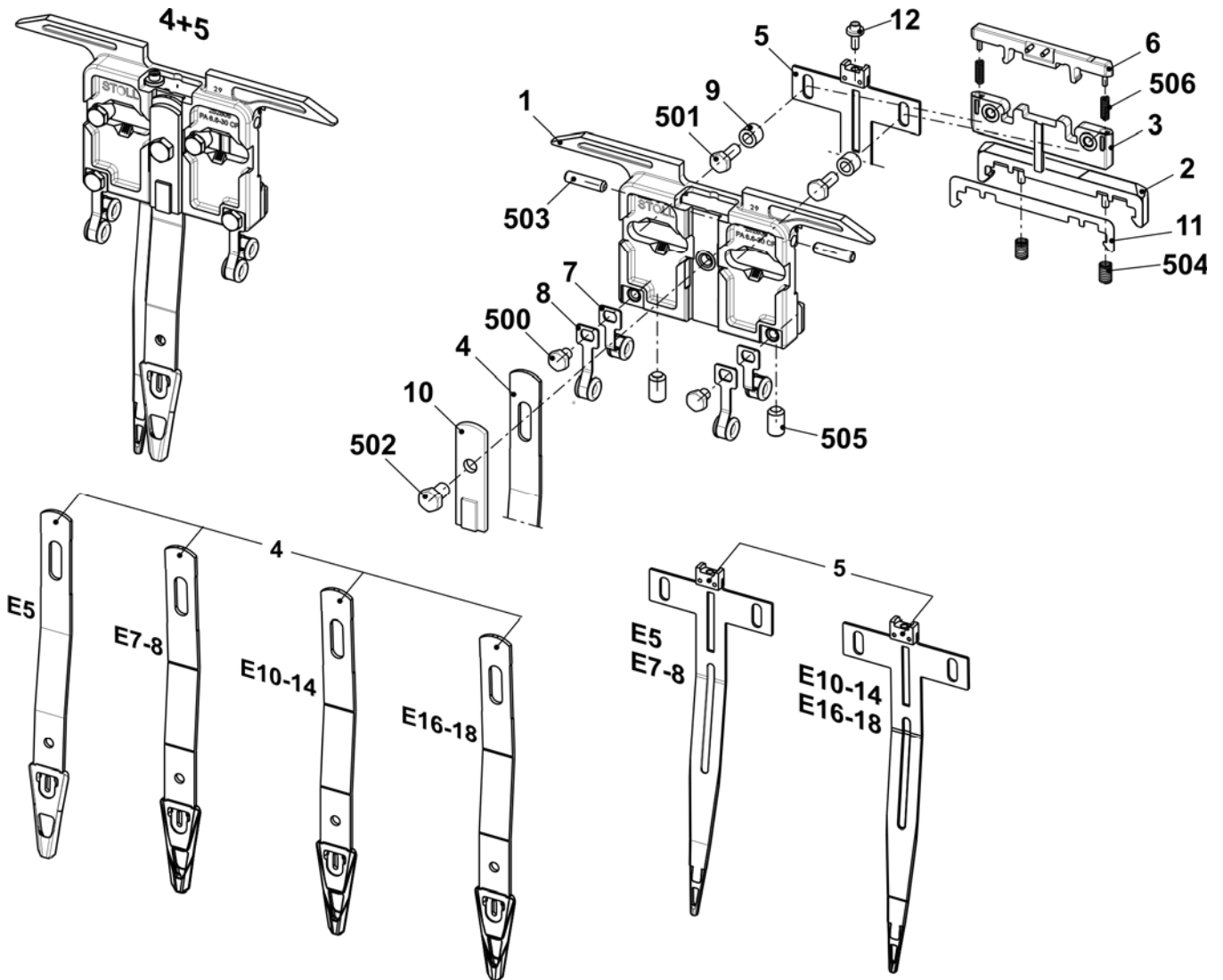
# Plating yarn carrier 3+6

Pos	Designation	ID	Pos	Designation	ID
<b>Σ</b>	<b>Plating yarn carrier carriage 3+6 co.</b>				
	<b>E5 + E2,5.2 + E3,5.2 + E5.2</b>	<b>252 782</b>	6	Sliding part	252 797
	<b>E7 + E8 + E6.2</b>	<b>252 784</b>	7	Eyelet holder co.	252 825
	<b>E10 + E12 + E14 + E7.2 + E8.2</b>	<b>252 786</b>	8	Eyelet holder co.	252 824
	<b>E16 + E18 + E9.2</b>	<b>252 788</b>	9	Spacer	252 796
1	Plating yarn carrier carriage	252 806	10	Shim	213 035
2	Sliding part	212 583	11	Shim	216 143
3	Slider	252 798	12	Adjusting screw	253 436
4	<b>Plating yarn carrier bow 3+6</b>		500	Hexagon screw M4x5	243 779
	<b>E5</b>	252 820	501	Hexagon screw M4x10	020 346
	<b>E7-8</b>	252 821	502	Hexagon screw	252 832
	<b>E10-14</b>	252 822	503	Grub screw M4x16	254 196
	<b>E16-18</b>	252 823	504	Compression spring	021 399
5	<b>Plating yarn carrier bow 3+6 E5-8</b>	252 800	505	Threaded bolt	213 399
	<b>Plating yarn carrier bow 3+6 E10-18</b>	252 808	506	Compression spring	253 058



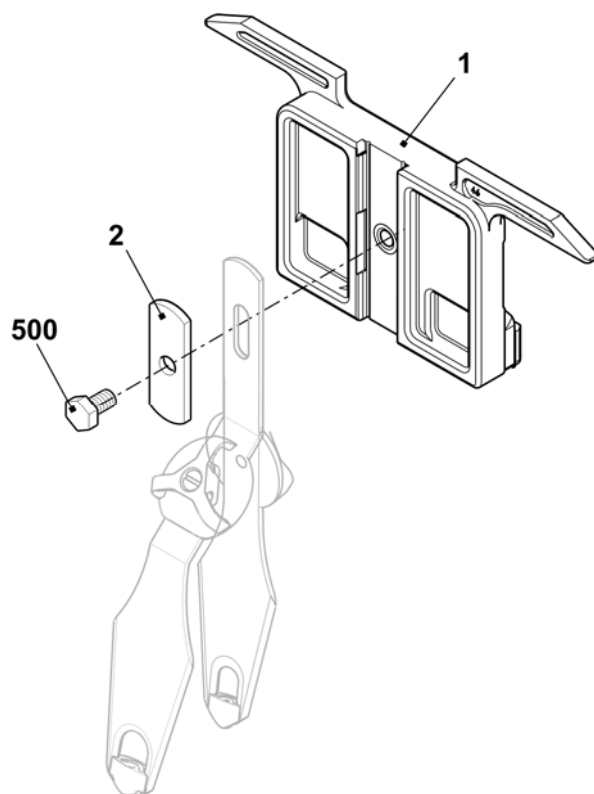
## Plating yarn carrier 4+5

Pos	Designation	ID	Pos	Designation	ID
<b>Σ</b>	<b>Plating yarn carrier carriage 4+5 co.</b>				
	<b>E5 + E2,5.2 + E3,5.2 + E5.2</b>	<b>252 781</b>	6	Sliding part	252 797
	<b>E7 + E8 + E6.2</b>	<b>252 783</b>	7	Eyelet holder co.	252 815
	<b>E10 + E12 + E14 + E7.2 + E8.2</b>	<b>252 785</b>	8	Eyelet holder co.	252 816
	<b>E16 + E18 + E9.2</b>	<b>252 787</b>	9	Spacer	252 796
1	Plating yarn carrier carriage	252 806	10	Shim	213 035
2	Sliding part	212 583	11	Shim	216 143
3	Slider	252 798	12	Adjusting screw	253 436
4	Plating yarn carrier bow 4+5		500	Hexagon screw M4x5	243 779
	E5	252 790	501	Hexagon screw M4x10	020 346
	E7-8	252 791	502	Hexagon screw	252 832
	E10-14	252 792	503	Grub screw M4x16	254 196
	E16-18	252 793	504	Compression spring	021 399
5	Plating yarn carrier bow 4+5 E5-8	252 799	505	Threaded bolt	213 399
	Plating yarn carrier bow 4+5 E10-18	252 807	506	Compression spring	253 058



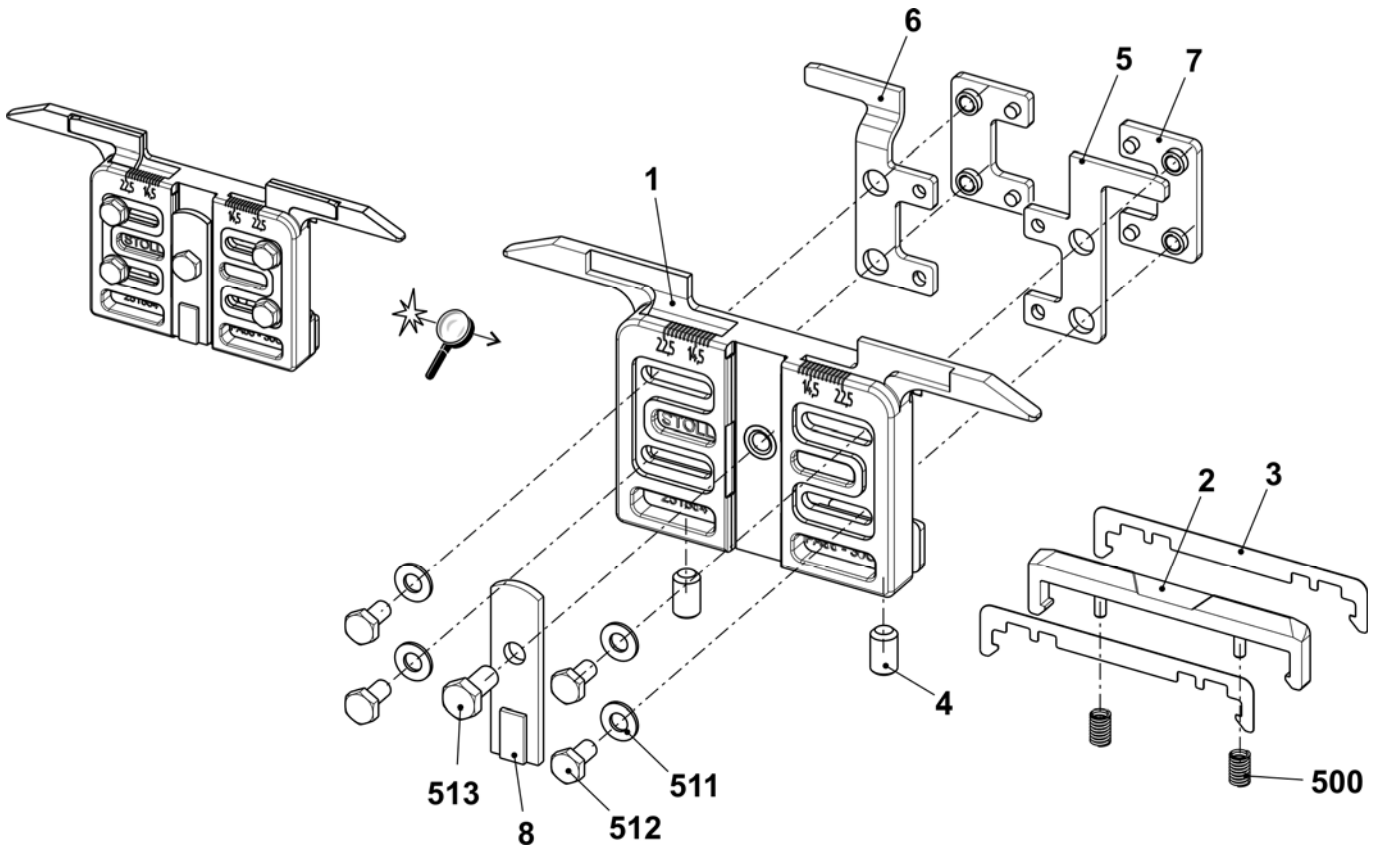
## Carriage of plating yarn carrier

Pos	Designation	ID	Pos	Designation	ID
<b>Σ</b>	<b>Carriage of plating YC co. E5-18</b>	<b>244 998</b>			
1	YC carriage MW46	244 253	500	Hexagon screw M5x10	020 351
2	Shim	213 035			



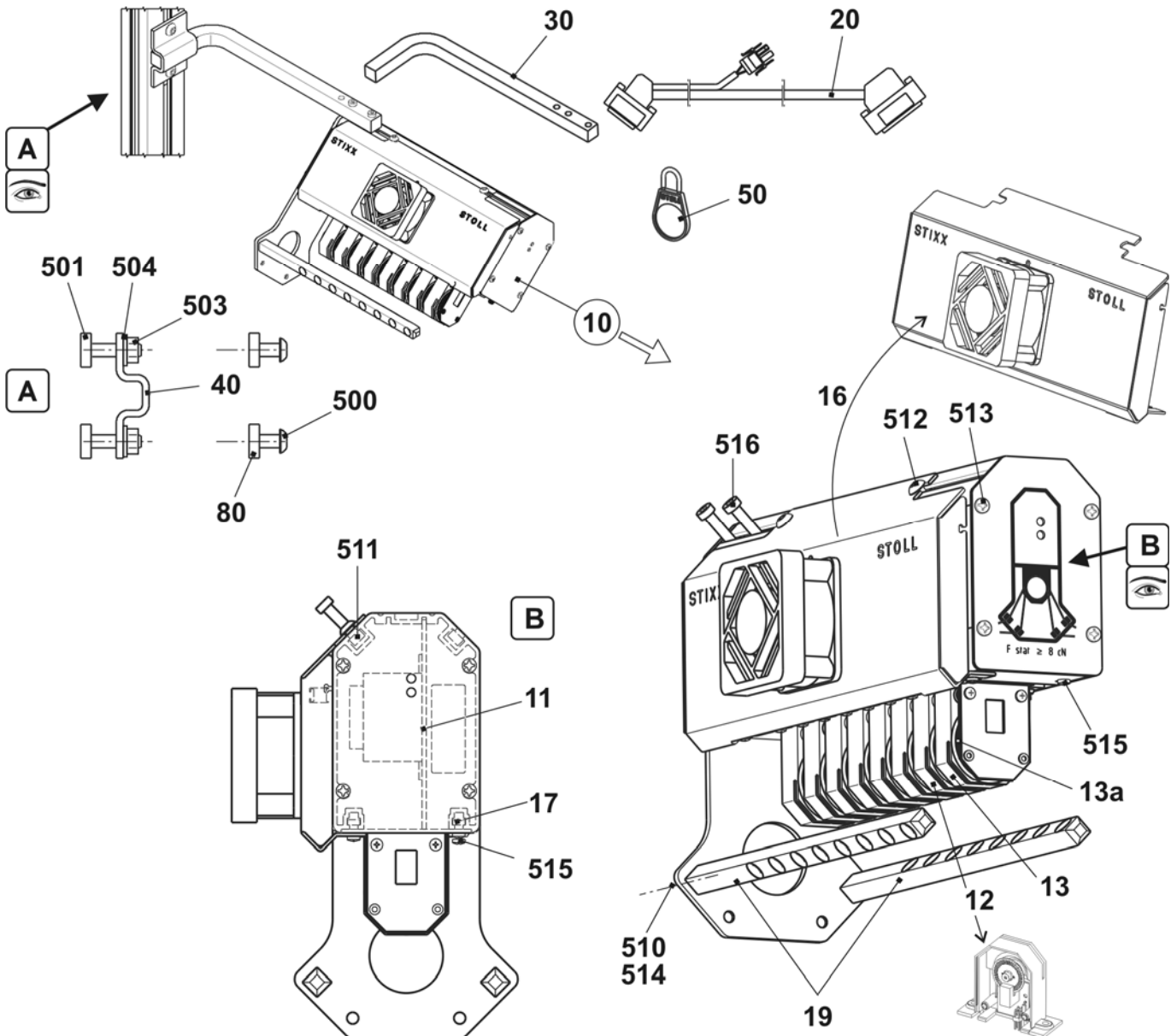
## Carriage of plating yarn carrier (adjustable)

Pos	Designation	ID	Pos	Designation	ID
<b>Σ</b>	<b>Plating yarn carrier carriage co.</b>	<b>251 867</b>			
1	Carriage of yarn carrier	251 864	7	Guiding part	253 226
2	Sliding part	212 583	8	Shim	213 035
3	Shim	216 143	500	Compression spring	021 399
4	Threaded bolt	213 399	511	U-washer 4	022 481
5	Insert on the right	251 866	512	Hexagon screw M4x8	022 461
6	Insert on the left	251 865	513	Hexagon screw M5x10	020 351



# Yarn length measuring device

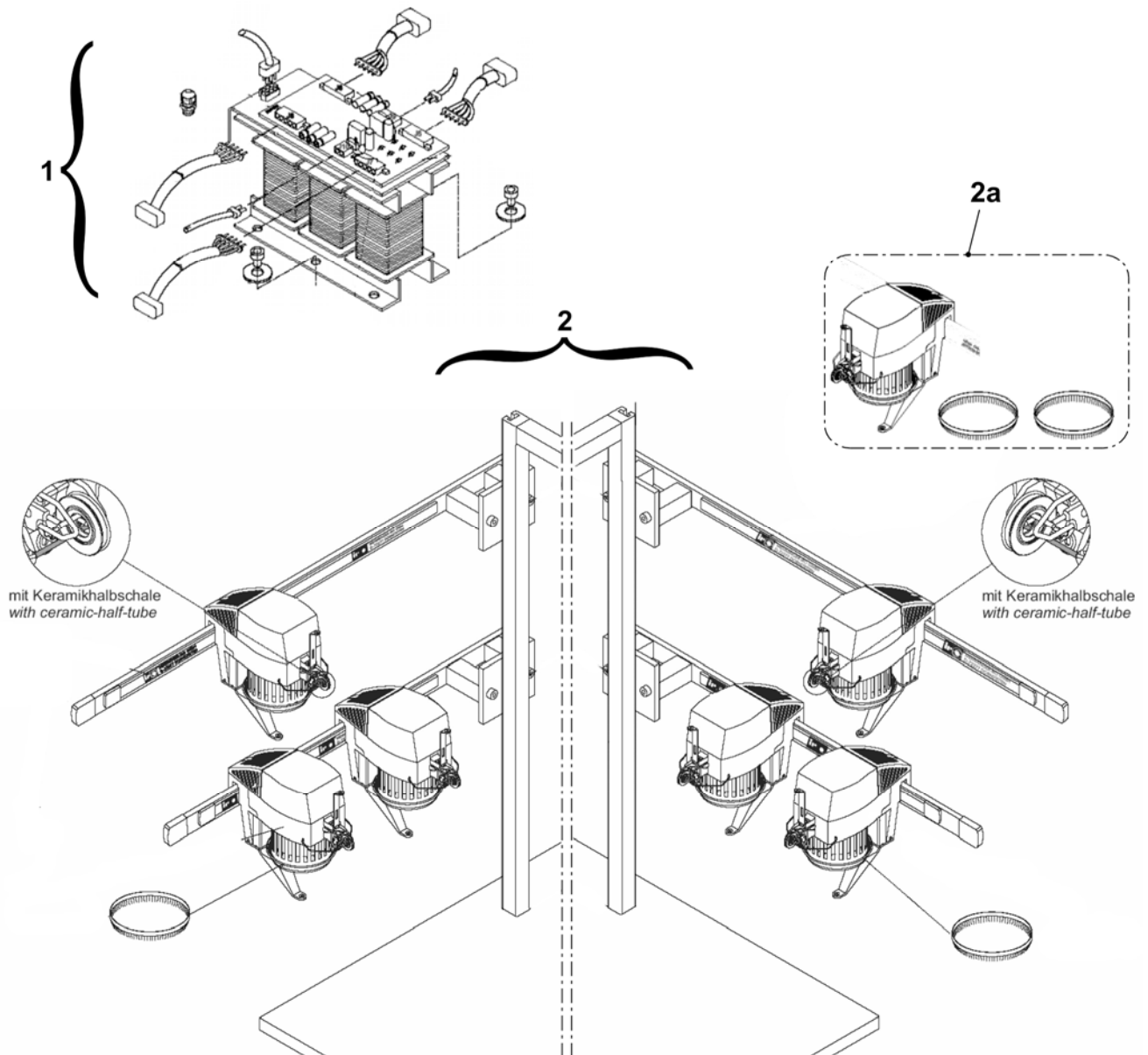
Pos	Designation	ID	Pos	Designation	ID
$\Sigma$	<b>Yarn length measuring device co.</b>	<b>228 943</b>	10	Yarn length measuring device 3	236 275
20	Cable length measuring	236 718	11	Card FLM CPU	300 934
30	Support	223 029	12	Sensor	211 354
40	Clamp	228 583	13	Sensor co.	212 406
50	Setting weight	212 241	13a	Rubber running ring	212 390
80	Threaded bar	200 223	16	Ventilator co.	212 255
500	Countersunk screw M8x16	023 113	17	Threaded bar	211 801
501	Hammer head bolt M8X25	022 866	19	Yarn guide rod	211 352
503	Hexagon nut M8-6	020 838	510	Pan-head screw M5x10	023 247
504	U-washer 8.4	023 248	511	Spring nut M5	022 873
			512	Pan-head screw M5x6	023 246
			513	Sheet metal screw ST3.5x13	022 940
			514	Spring washer A5	022 454
			515	Oval head screw with washer M3x10	023 380
			516	Cap screw M5x22	023 193





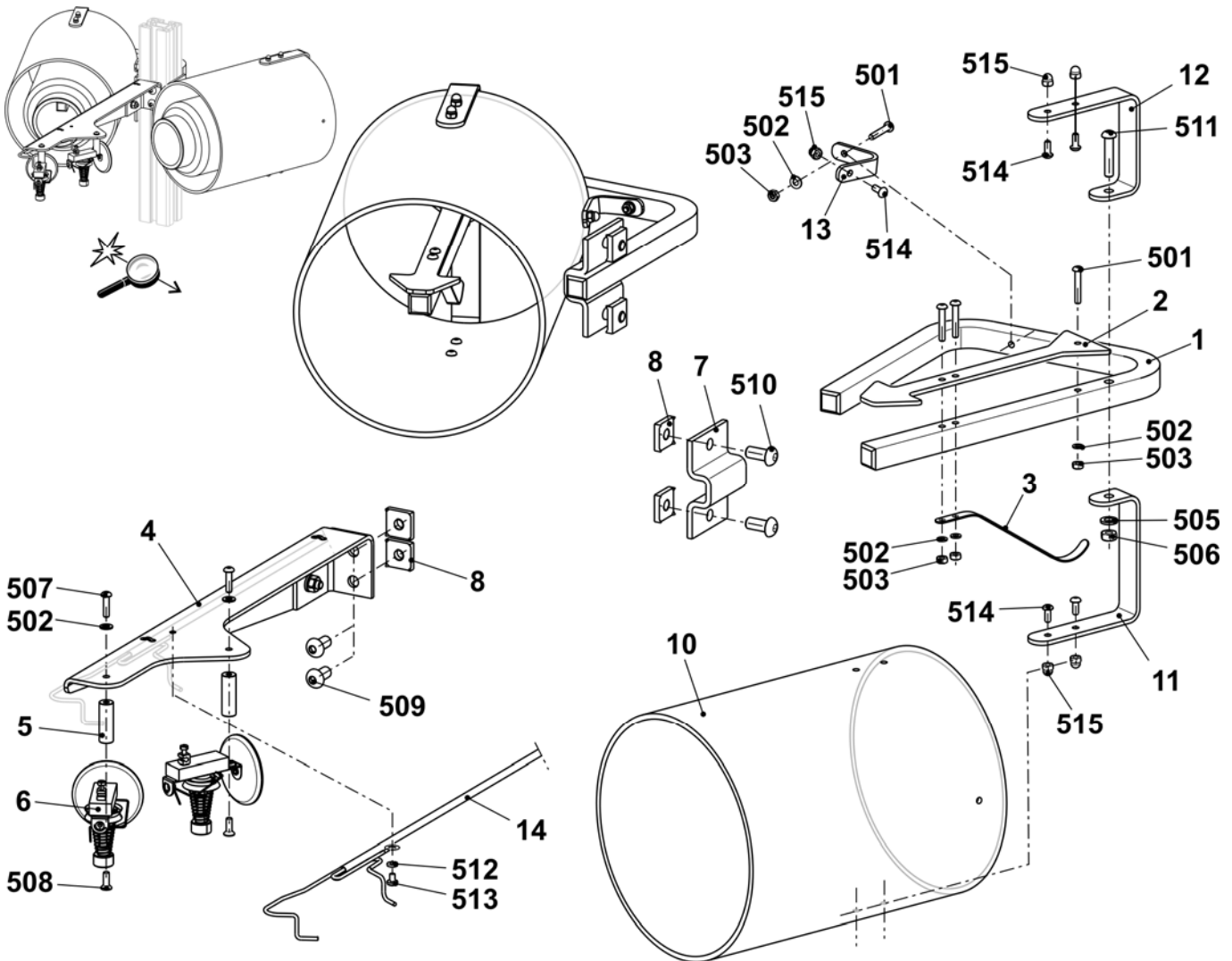
## Feed wheel SFE

Pos	Designation	ID	Note
$\Sigma$	<b>Mounted set storage feed wheel SFE</b>	<b>231 427</b>	Please order the SFE spare parts at: <b>MEMMINGER-IRO GMBH</b> <b>Jakob-Mutz-Strasse 7</b> <b>D-72280 Dornstetten</b> Phone: +49 (0)7443 281-0 Fax: +49 (0)7443 281-101 The item no. and the designation for the SFE spare parts can be found in the enclosed assembling instructions of the company MEMMINGER-IRO.
1	Transfo with cable	231 979	
2	Mounted set SFE without transformer	231 980	
2a	Feed wheel SFE	231 537	



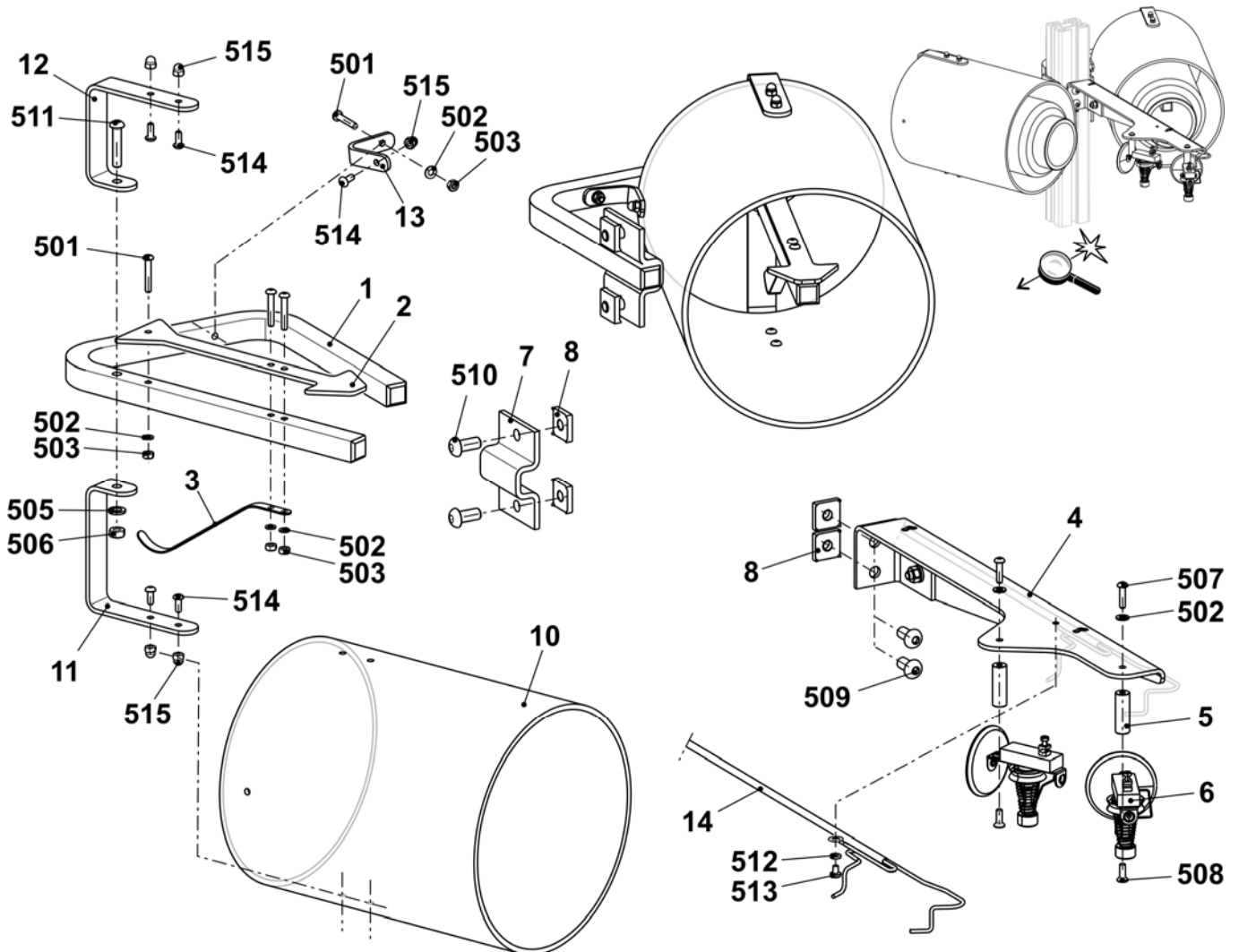
# Bobbin holder on the left

Pos	Designation	ID	Pos	Designation	ID
<b>Σ</b>	<b>Bobbin holder on the left</b>	<b>253 965</b>	501	Countersunk screw M4x25	023 511
1	Support	253 969	502	U-washer 4	022 481
2	Support	252 769	503	Hexagon nut M4-6	022 536
3	Leaf spring	253 350	505	U-washer 6	022 431
4	Support left	253 347	506	Hexagon nut M6-6	022 899
5	Spacer	253 349	507	Countersunk screw M4x16	023 412
6	Yarn detector Massardi	226 964	508	Countersunk screw M4x12	023 062
7	Clamp	228 583	509	Countersunk screw M8x16	023 113
8	Sliding block	228 851	510	Countersunk screw M8x18	251 331
10	Cover	253 968	511	Countersunk screw M6x30	023 451
11	Support angle	253 964	512	Disc A4.3	022 482
12	Support angle	253 963	513	Countersunk screw M4x6	022 946
13	Support angle	253 967	514	Countersunk screw M4x10	023 450
14	Cable plating	253 468	515	Cap nut M4-6	253 805



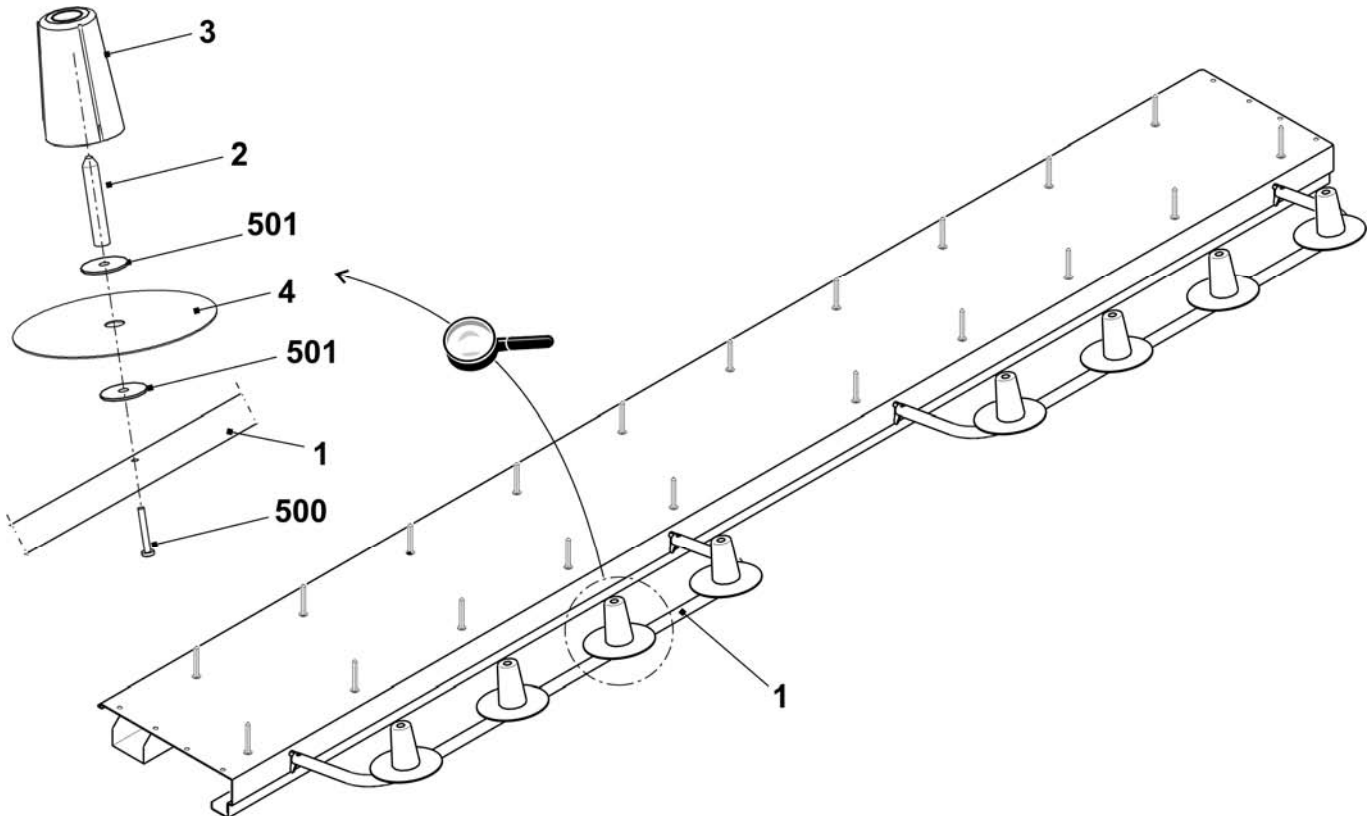
## Bobbin holder on the right

Pos	Designation	ID	Pos	Designation	ID
<b>Σ</b>	<b>Bobbin holder on the right</b>	<b>253 966</b>	501	Countersunk screw M4x25	023 511
1	Support	253 969	502	U-washer 4	022 481
2	Support	252 769	503	Hexagon nut M4-6	022 536
3	Leaf spring	253 350	505	U-washer 6	022 431
4	Support right	253 348	506	Hexagon nut M6-6	022 899
5	Spacer	253 349	507	Countersunk screw M4x16	023 412
6	Yarn detector Massardi	226 964	508	Countersunk screw M4x12	023 062
7	Clamp	228 583	509	Countersunk screw M8x16	023 113
8	Sliding block	228 851	510	Countersunk screw M8x18	251 331
10	Cover	253 968	511	Countersunk screw M6x30	023 451
11	Support angle	253 964	512	Disc A4.3	022 482
12	Support angle	253 963	513	Countersunk screw M4x6	022 946
13	Support angle	253 967	514	Countersunk screw M4x10	023 450
14	Cable plating	253 468	515	Cap nut M4-6	253 805



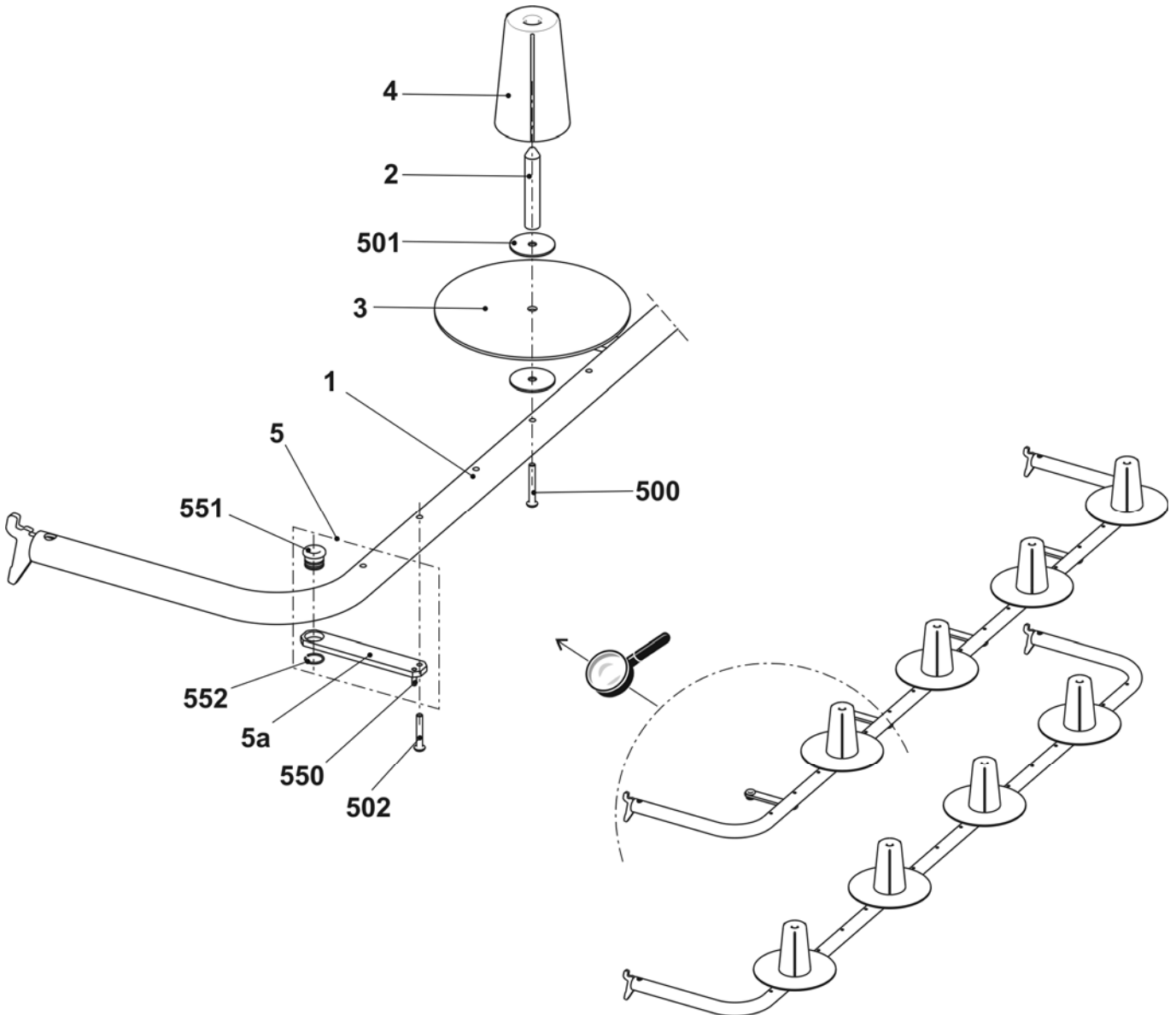
## Additional board

Pos	Designation	ID	Pos	Designation	ID
<b>Σ</b>	<b>Additional board</b>	<b>241 852</b>			
1	Additional board welded	241 851	4	Disc D=130	062 385
2	Positioning pin	202 777	500	Pan-head screw M4x30	023 681
3	Bobbin support	200 363	501	Washer 5.3x30x1.25	023 556



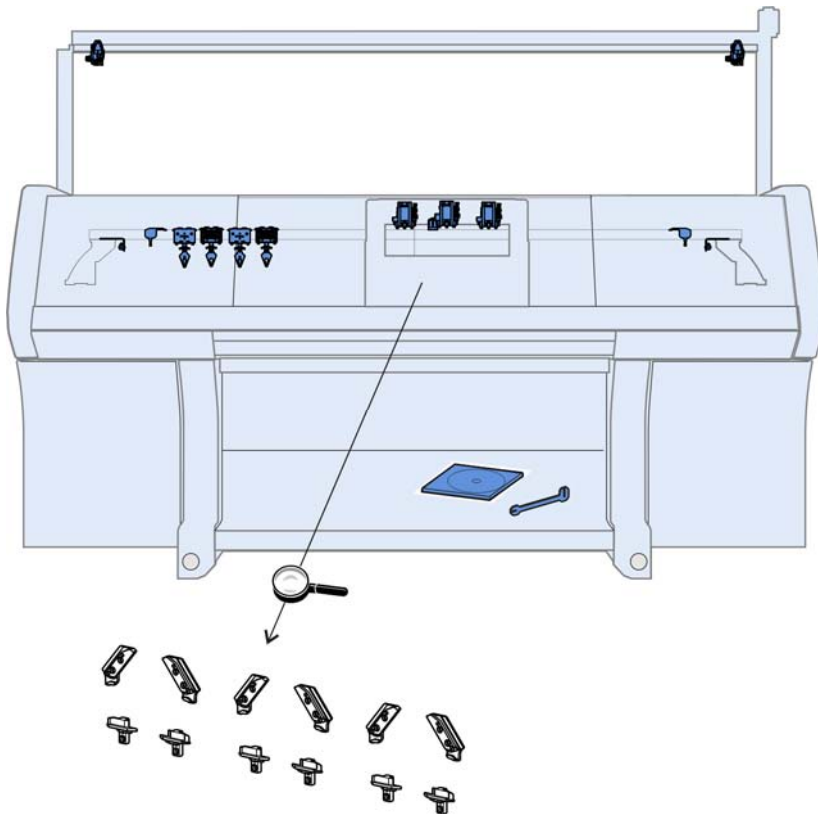
## Additional board (top, bottom)

Pos	Designation	ID	Pos	Designation	ID
<b>Σ</b>	<b>Additional board 50" IYC co.</b>	<b>244 424</b>			
1	Additional board welded	243 608	5	550 Setting pin 3x12	020 647
2	Positioning pin	202 777		551 Eyelet	021 504
3	Disc D=130	062 385		552 Snap ring A12	020 996
4	Bobbin support	200 363	500	Countersunk screw M4x30	023 681
5	Yarn guide	243 765	501	Washer 5.3x30x1.25	023 556
	5a Guiding part	243 623	502	Countersunk screw M4x25	023 511



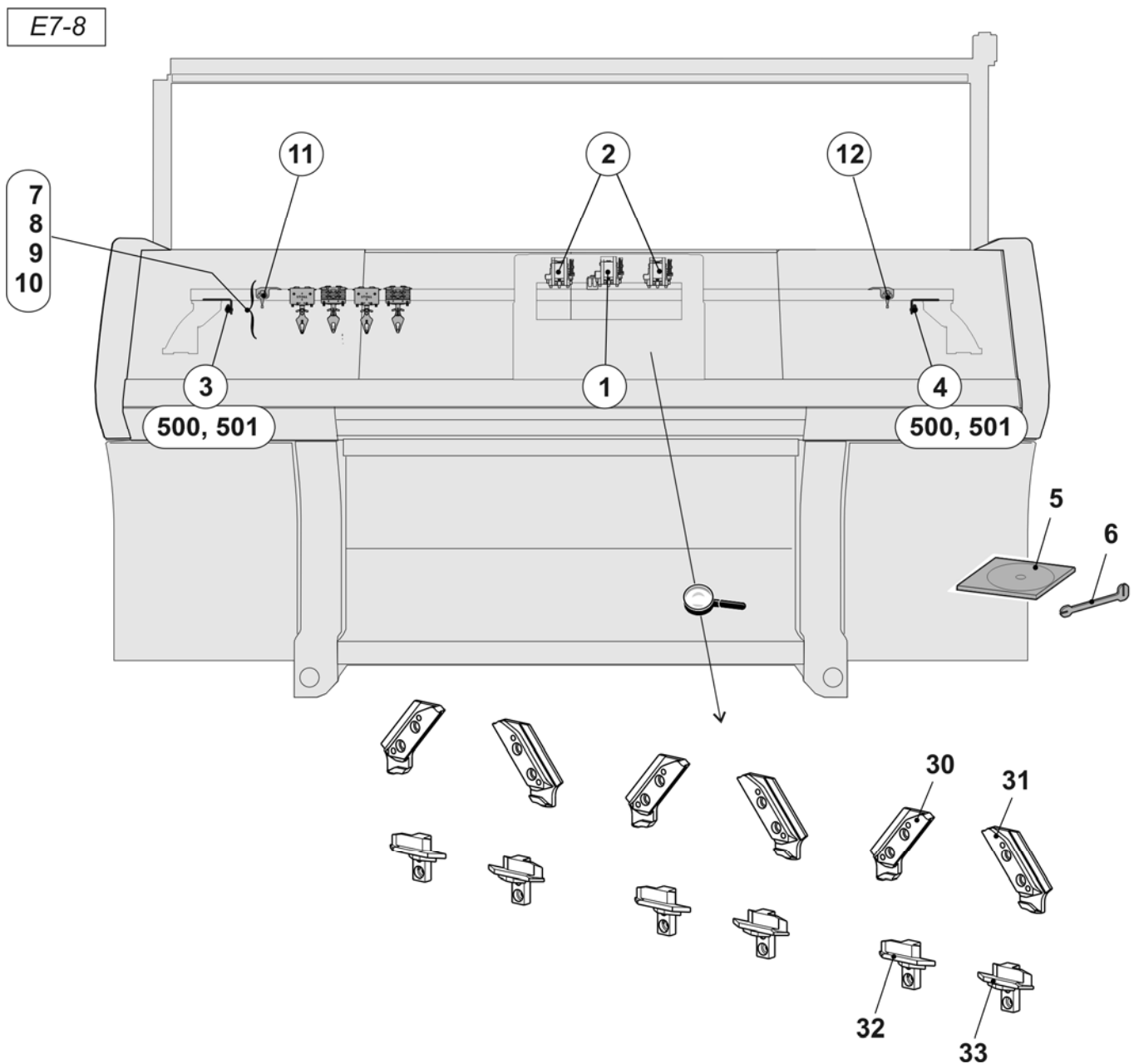
## Conversion kit 16 IYC type 2

Designation	Gauge	ID
Conversion kit 16 IYC type 2	E7 + E8	254 904
Conversion kit 16 IYC type 2	E10 + E12 + E14	254 905



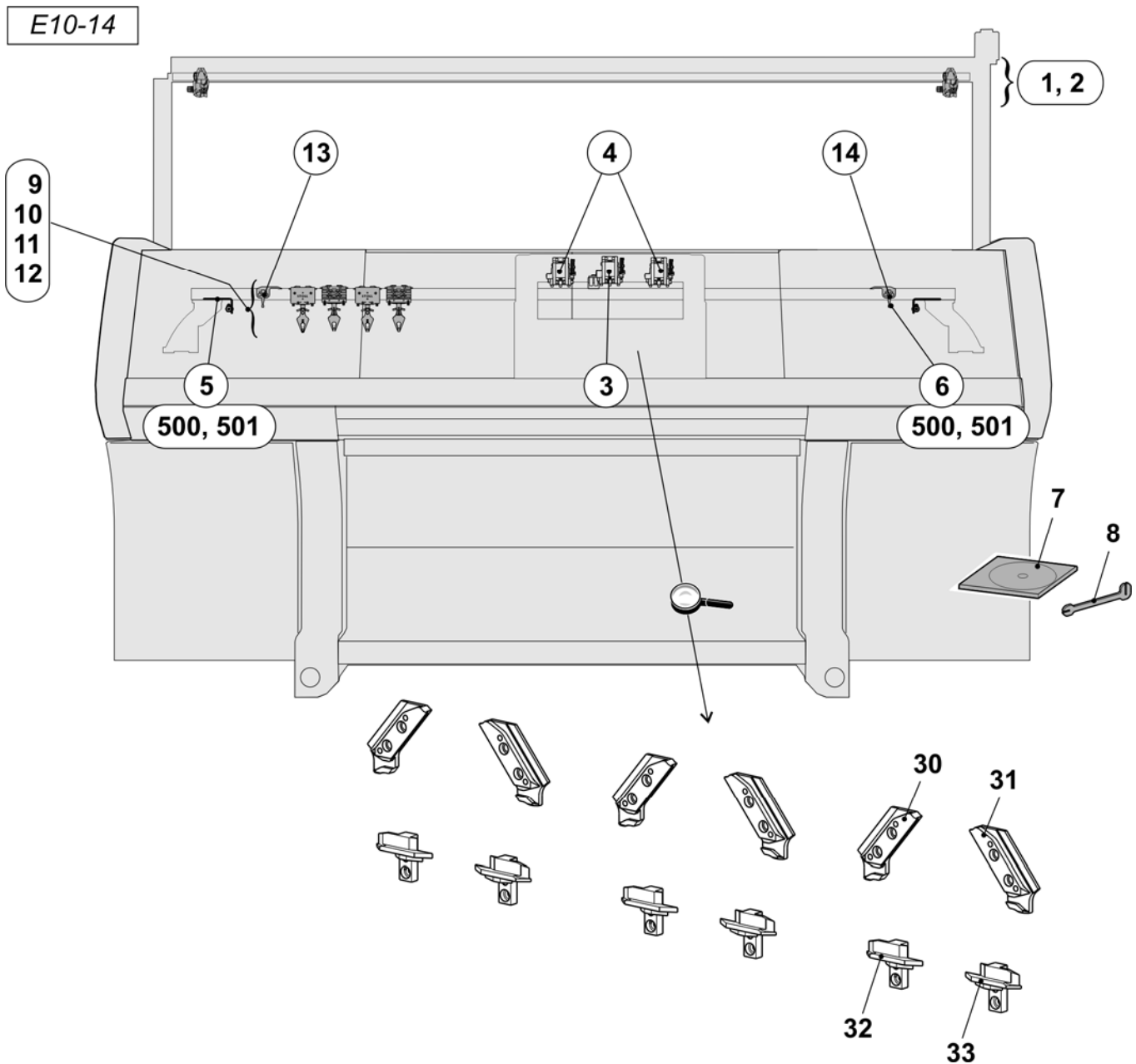
## Overview of conversion kit E7 + E8

Pos	Designation	ID	Pos	Designation	ID
<b>Σ</b>	<b>Conversion kit 16 IYC E7 + E8</b>	<b>254 904</b>			
1	YC driving in the middle co.	245 298	10	IYC carriage co. 4+5 E7-8	250 326
2	YC driving outside co.	245 297	11	Limiters on the left with 2 eyelets	244 446
3	Yarn deflector on the left co.	244 517	12	Limiters on the right with 2 eyelets	244 445
4	Yarn deflector on the right co.	244 521	30	Stitch cam on the left short tuck	212 057
5	DVD instructions conversion kit IYC	245 169	31	Stitch cam on the right short tuck	212 056
6	Adjusting part for yarn carrier bow	250 119	32	Pressure part take-over on the left short tuck	240 697
7	IYC carriage co. 1+8 E7-8	250 323	33	Pressure part take-over on the right short tuck	240 698
8	IYC carriage co. 2+7 E7-8	250 324	500	Cap screw M6x14	022 658
9	IYC carriage co. 3+6 E7-8	250 325	501	U-washer 6	020 881



# Overview of conversion kit E10 + E12 + E14

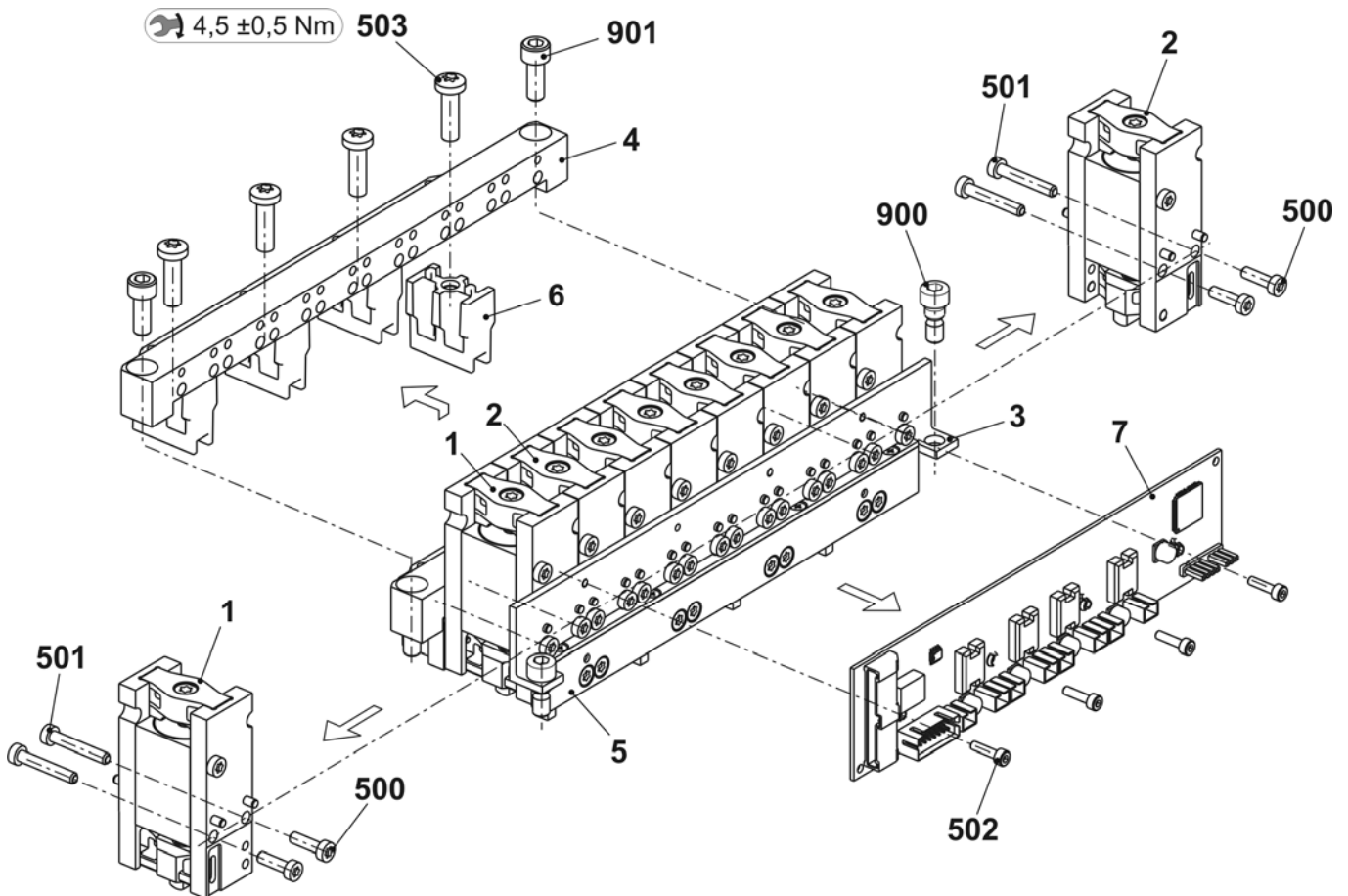
Pos	Designation	ID	Pos	Designation	ID
<b>Σ</b>	<b>Conversion kit 16 IYC E10 + E12 + E14</b>	<b>254 905</b>			
1	Yarn control device	237 124	11	IYC carriage co. 3+6 E10-14	250 329
2	Yarn guide bracket co.	241 581	12	IYC carriage co. 4+5 E10-14	250 330
3	YC driving in the middle co.	245 298	13	Limiters on the left with 2 eyelets	244 446
4	YC driving outside co.	245 297	14	Limiters on the right with 2 eyelets	244 445
5	Yarn deflector on the left co.	244 517	30	Stitch cam on the left short tuck	212 109
6	Yarn deflector on the right co.	244 521	31	Stitch cam on the right short tuck	212 108
7	DVD instructions conversion kit IYC	245 169	32	Pressure part take-over on the left short tuck	240 697
8	Adjusting part for yarn carrier bow	250 119	33	Pressure part take-over on the right short tuck	240 698
9	IYC carriage co. 1+8 E10-14	250 327	500	Cap screw M6x14	022 658
10	IYC carriage co. 2+7 E10-14	250 328	501	U-washer 6	020 881





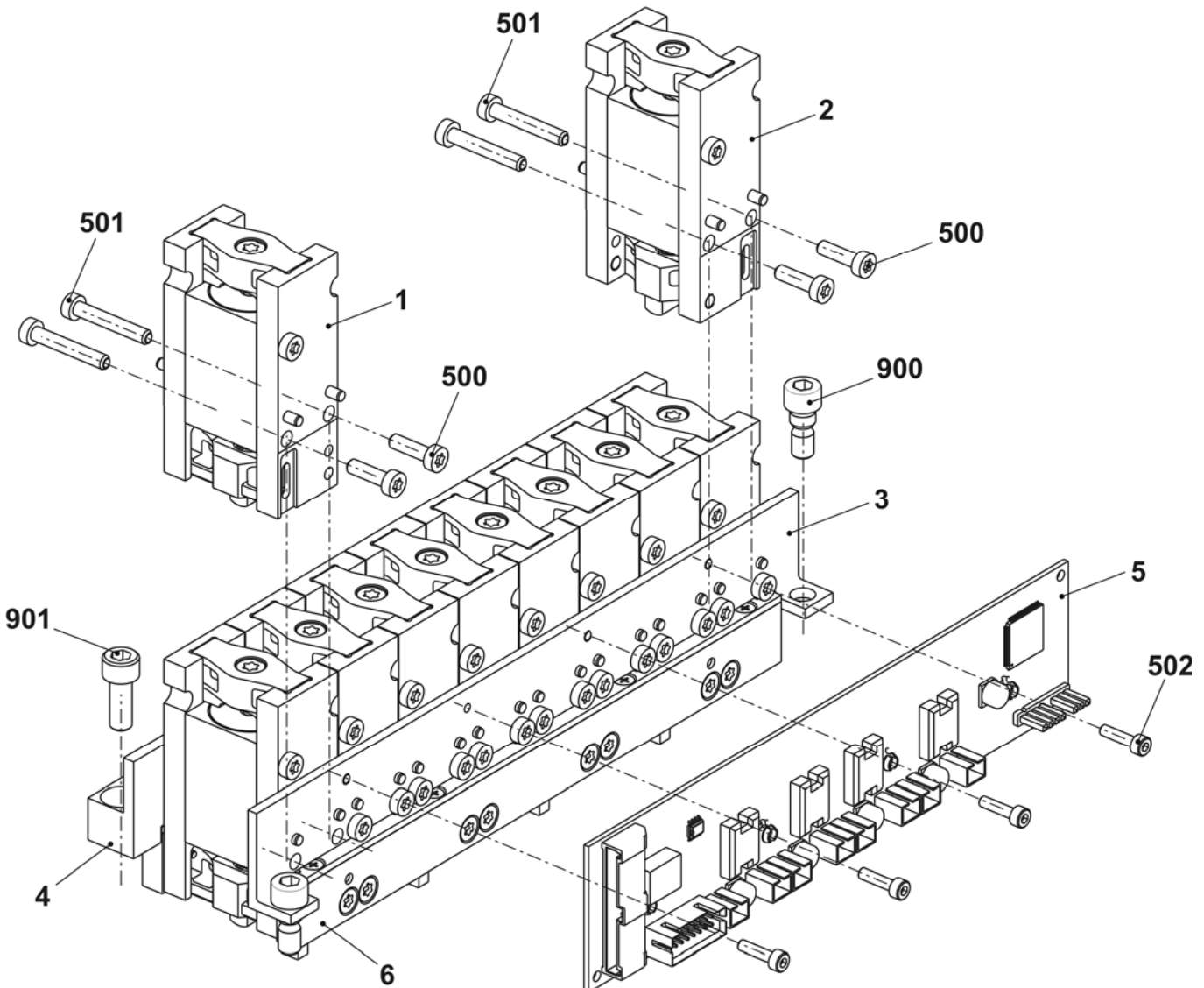
## Driving in the middle

Pos	Designation	ID	Pos	Designation	ID
$\Sigma$	<b>YC driving in the middle co.</b>	<b>245 298</b>	7	Card yarn carrier final stages OKC	300 960
1	Yarn carrier plunger on the right co.	243 080	500	Cap screw M4x14-I-Torx	242 279
2	Yarn carrier plunger on the left co.	243 118	501	Cap screw M4x25-I-Torx	245 305
3	Support angle for jack	245 313	502	Cap screw M3x12-12.9	022 648
4	Mounting block in the middle	245 308	503	Screw KB60X20	243 625
5	Switch mechanism	251 137	900	Shoulder screw	231 899
6	Guiding part	239 972	901	Cap screw M6x16	020 135



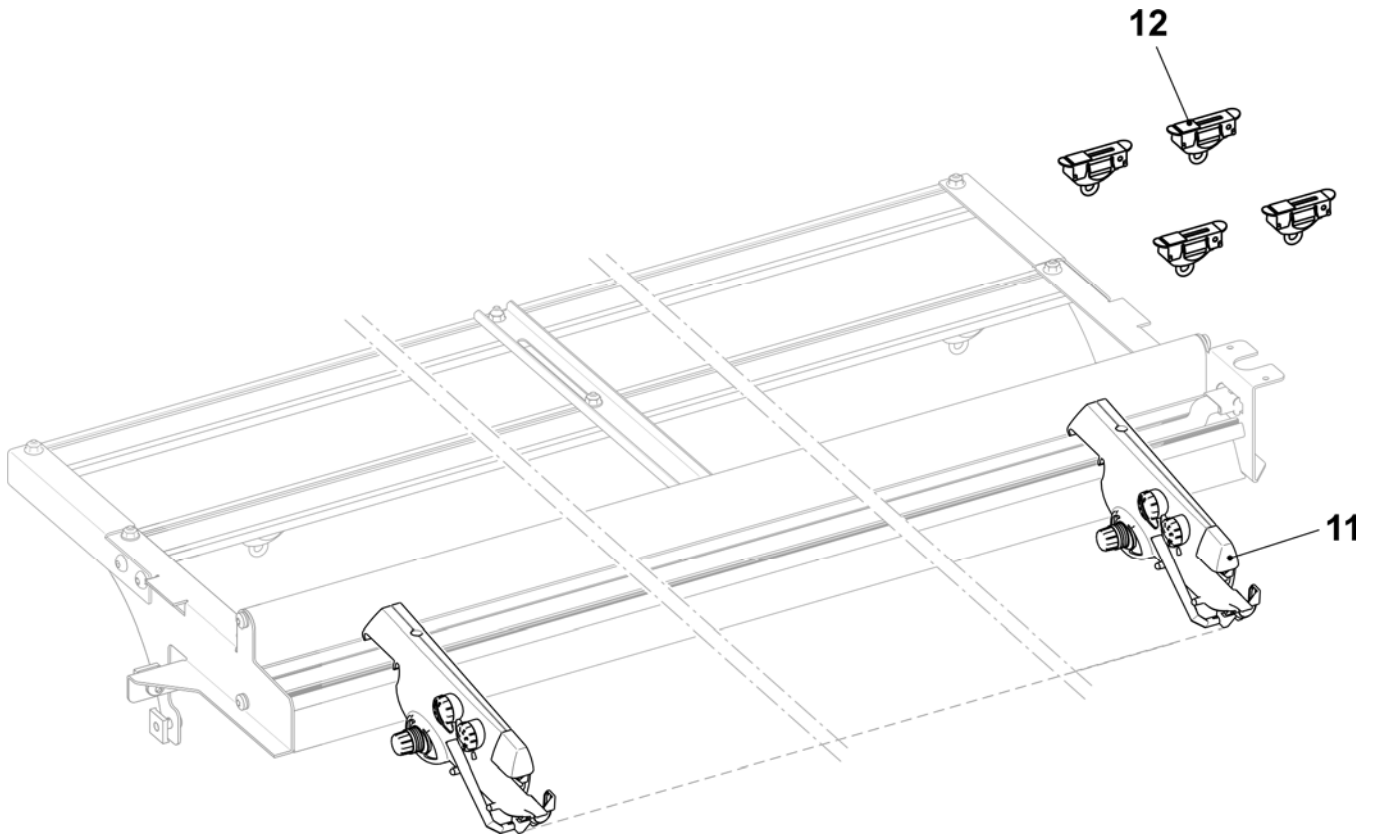
## Driving outside

Pos	Designation	ID	Pos	Designation	ID
<b>Σ</b>	<b>YC driving outside co.</b>	<b>245 297</b>	6	Switch mechanism	251 137
1	Yarn carrier plunger on the right co.	243 080	500	Cap screw M4x14-I-Torx	242 279
2	Yarn carrier plunger on the left co.	243 118	501	Cap screw M4x25-I-Torx	245 305
3	Support angle for jack	245 313	502	Cap screw M3x12-12.9	022 648
4	Mounting block outside	245 294	900	Shoulder screw	231 899
5	Card yarn carrier final stages OKC	300 960	901	Cap screw M6x16	020 135



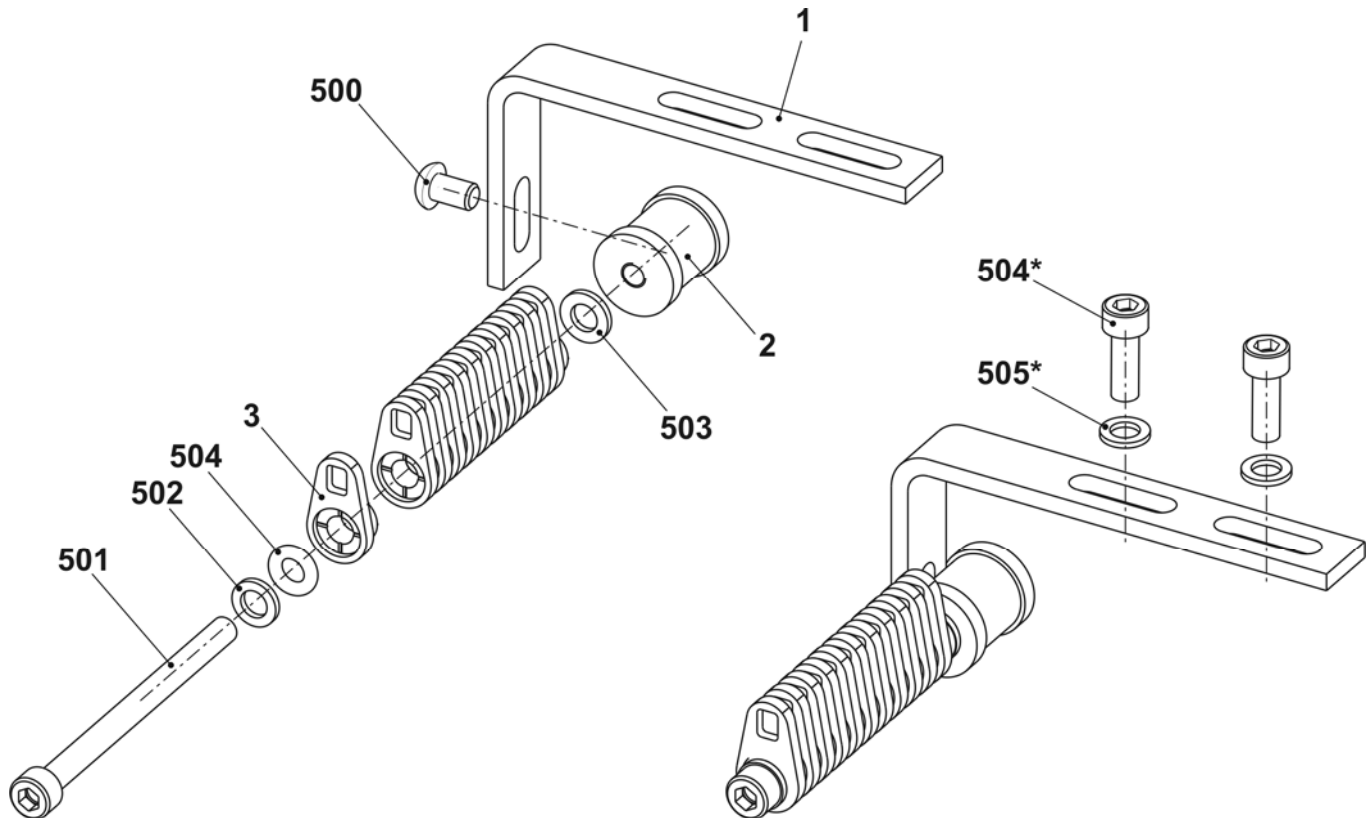
## Parts for the yarn guide system

Pos	Designation	ID	Pos	Designation	ID
$\Sigma$	Parts for the yarn guide system with 4 FKE, E10-14				
11	Yarn control device	237 124	12	Yarn guide bracket co.	241 581



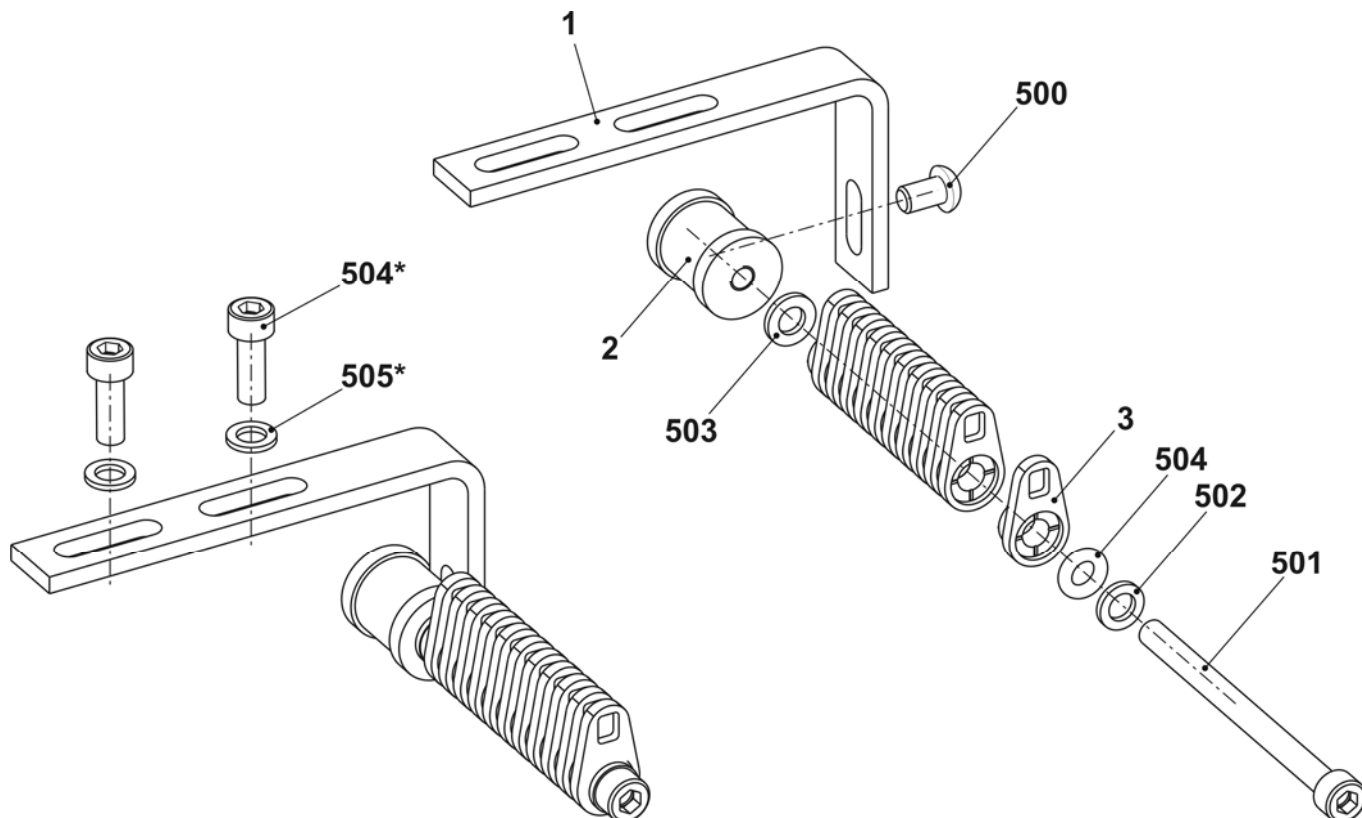
## Thread deflector on the left

Pos	Designation	ID	Pos	Designation	ID
<b>Σ</b>	<b>Yarn deflector on the left co.</b>	<b>244 517</b>			
1	Support angle	244 516	502	U-washer 6	020 881
2	Bolt	214 894	503	U-washer 6	022 853
3	Yarn carrier MH 6	200 127	504	O-ring 6x3	022 856
500	Countersunk screw M6x10	023 183	504*	Cap screw M6x14	022 658
501	Cap screw M6x80	023 064	505*	U-washer 6	020 881



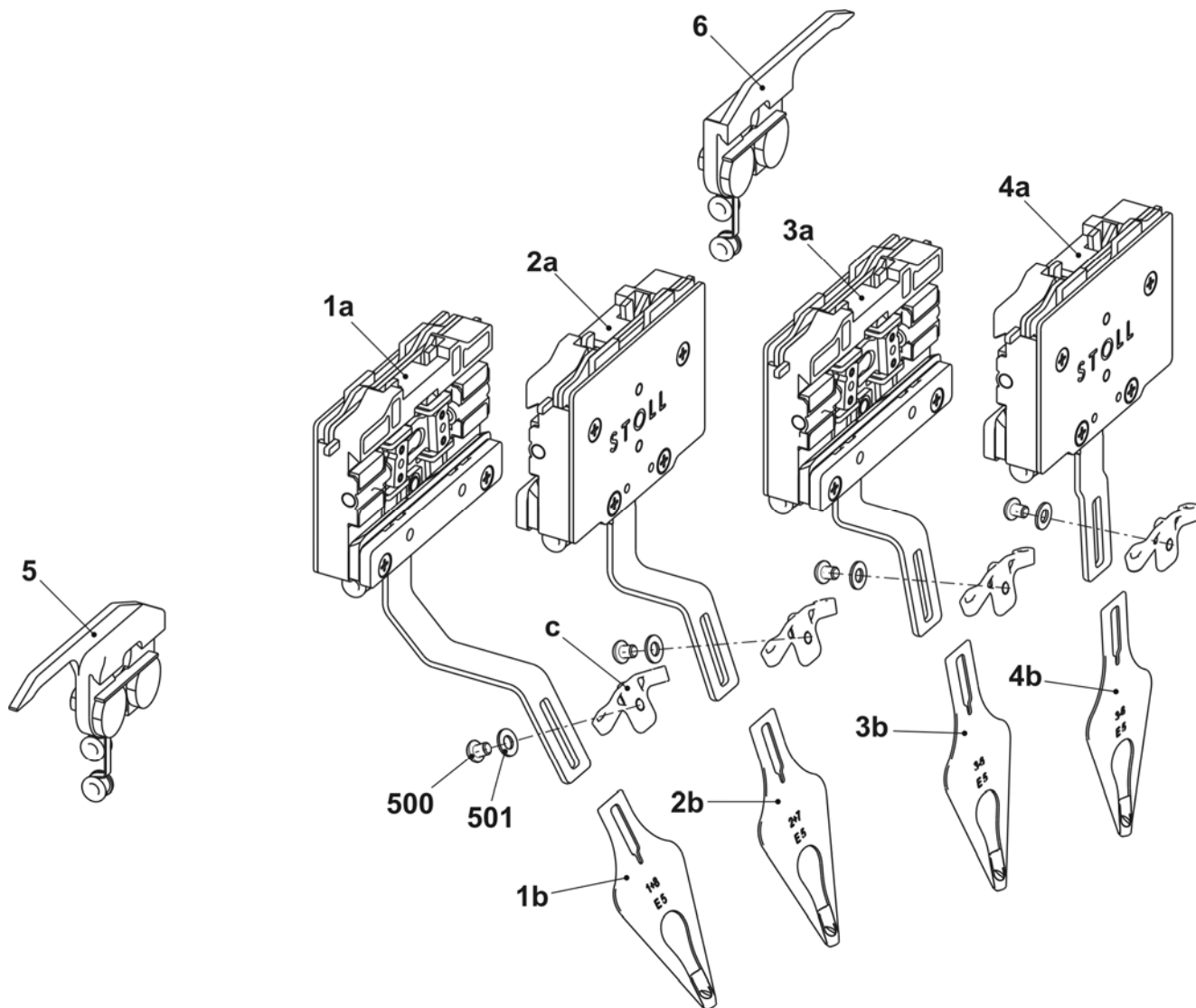
## Yarn deflector on the right

Pos	Designation	ID	Pos	Designation	ID
<b>Σ</b>	<b>Yarn deflector on the right co.</b>	<b>244 521</b>			
1	Support angle	244 516	502	U-washer 6	020 881
2	Bolt	214 894	503	U-washer 6	022 853
3	Yarn carrier MH 6	200 127	504	O-ring 6x3	022 856
500	Countersunk screw M6x10	023 183	504*	Cap screw M6x14	022 658
501	Cap screw M6x80	023 064	505*	U-washer 6	020 881



**IYC carriage co. x+y E7 + 8**

Pos	Designation	ID	Pos	Designation	ID
<b>Σ</b>	<b>IYC carriage co. x+y E7 + E8</b>				
1	IYC carriage co. 1+8 E7-8	250 323	4	IYC carriage co. 4+5 E7-8	250 326
	1a IYC carriage 1+8	250 315		4a IYC carriage 4+5	250 318
	1b Yarn carrier head 1+8 co. E7-8	244 082		4b Yarn carrier head 3-6 co. E7-8	244 084
2	IYC carriage co. 2+7 E7-8	250 324	5	Limiters on the left with 2 eyelets	244 446
	2a IYC carriage 2+7	250 316	6	Limiters on the right with two eyelets	244 445
	2b Yarn carrier head 2+7 co. E7-8	244 083	C	Yarn guide angle	242 863
3	IYC carriage co. 3+6 E7-8	250 325	500	Countersunk screw M4x5	239 549
	3a IYC carriage 3+6	250 317	501	U-washer 4	020 870
	3b Yarn carrier head 3-6 co. E7-8	244 084			



## IYC carriage co. x+y E10 + E12 + 14

Pos	Designation	ID	Pos	Designation	ID
<b>Σ</b>	<b>IYC carriage co. x+y E10 + E12 + E14</b>				
1	IYC carriage co. 1+8 E10-14	250 327	4	IYC carriage co. 4+5 E10-14	250 330
	1a IYC carriage 1+8	250 315		4a IYC carriage E10-14	250 318
	1b Yarn carrier head 1+8 co. E10-14	250 008		4b Yarn carrier head 3-6 co. E10-14	250 010
2	IYC carriage co. 2+7 E10-14	250 328	5	Limiters on the left with 2 eyelets	244 446
	2a IYC carriage 2+7	250 316	6	Limiters on the right with two eyelets	244 445
	2b Yarn carrier head 2+7 co. E10-14	250 009	C	Yarn guide angle	242 863
3	IYC carriage co. 3+6 E10-14	250 329	500	Countersunk screw M4x5	239 549
	3a IYC carriage 3+6	250 317	501	U-washer 4	020 870
	3b Yarn carrier head 3-6 co. E10-14	250 010			

