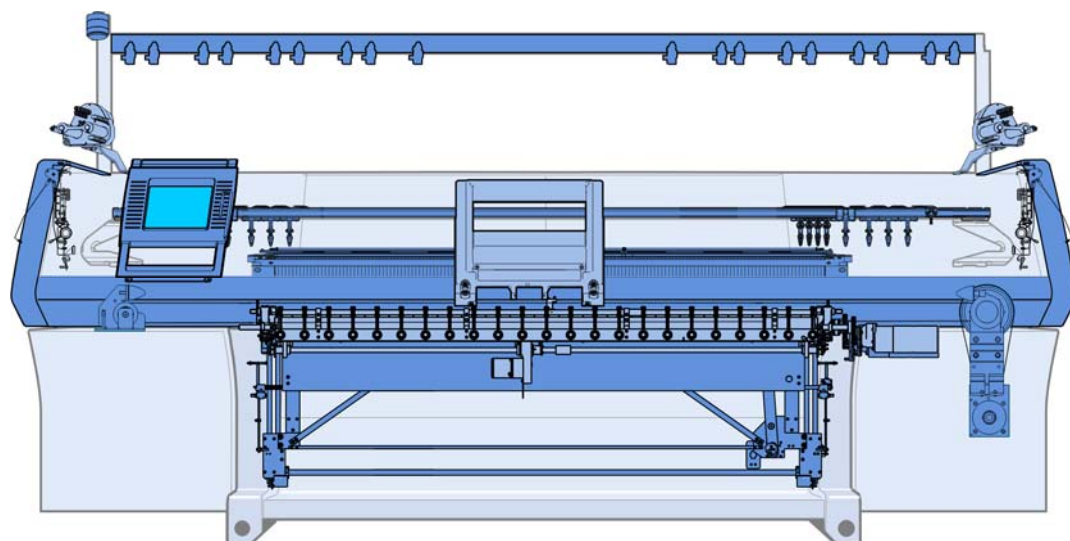


Spare Parts Catalog

CMS 730 T (Type 585)

Component type 002



Document-No. 243961_01_GB

Issue 10/2008

Impressum

All rights reserved.

The utilisation of texts and pictures, also in extracts, without our agreement is unfavourable to the copyright.

Our products are being developed further continuously. They are therefore subject to technical modifications.

The indications of this catalog are without liability.

©

H. Stoll GmbH & Co.KG

Stollweg 1

D-72760 Reutlingen, Germany

Phone: +49 (07121) 313-289

Fax: +49 (07121) 313-347

e-mail: spareparts@stoll.com

Introduction

Notes for the order

This catalog serves to order spare parts.

It applies only to the machine type recorded on the title page.

With orders of spare parts we earnestly request the following details, as otherwise a satisfactory delivery of parts is not possible:

1. Type of machine, gauge, no. of machine.
2. Page no., designation, id, quantity.

Please use the order form!

Use original spare parts from Stoll for repairing only.

Order form

Telefon +49 (7121) 313-289
 Telefax +49 (7121) 313-347
 email: spareparts@stoll.com

H. Stoll GmbH & Co. KG
 PO box 2544

D-72715 Reutlingen

_____ Company
 _____ Name
 _____ Street
 _____ Postal code town
 _____ Phone
 _____ Fax
 _____ Customer no.
 _____ Shipping mode
 _____ Date of order
 _____ Maschine type
 _____ Gauge
 _____ Masch.-Nr.
 _____ Sirix-Nr.

_____ Order number
 _____ Receipt date


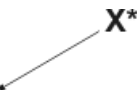
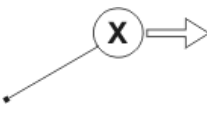
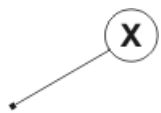
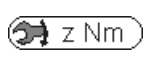





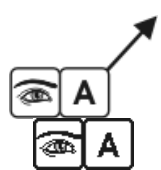
Spare parts order

Page no.	Designation	Ident no.	Piece no.	Comment

_____ Date Signature

Search help

In order to make the search of the spare parts easier, the following elements will be used in the spare parts catalog:

Symbol	Meaning
Σ	Indicates an assembly
	Position indicator with the position number (X).
	Indicates an element of another assembly.
	Indicates an assembly which is represented more detailed beside.
	Indicates an assembly which is represented on another page more detailed.
	Screw torques (z) deviating from the preferential row.
	Detail, represented enlarged in the direction of the arrow.
	Explosion representation, single elements enlarged.
	Indicates a group of parts.
	Indicates the left side or view.
	Indicates the right side or view.
	Indicates a section or a view in the viewing direction.

Torques

Drehmomente Torques Couples Coppias Momentos de rotación [Nm] ± 10 % (für $\mu_{ges} = 0,12$)		Festigkeitsklassen Property class Classes de résistance Classi di resistenza Clases de resistencia		
		4,8	8,8	12,9
Regelgewinde Coarse-pitch thread Filetage à pas gros Filetto regolatore Filete regulador	M3	0,6	1,2	2,5
	M4	1,2	2,5	5
	M5	2,5	5	9
	M6	5	9	18
	M8		18	40
	M10		40	
	M12		80	

Preferential row of screw torques

- Torques are **valid** for:
 Connection steel-steel, black, phosphatized, galvanized, rolled or cut thread as well as only for plain (head) supports.
- Torques are **not valid** for:
 protected screws with: Lock washers, rib heads, coated and clamping screws and nuts. They are also not used for self-grooving threads.
- Torques differing from this preferential row of torques must be taken from the corresponding location in the drawings.

Table of contents

Impressum	2
Introduction	3
Search help.....	5
Torques.....	6
Carriage drive	13
Drive.....	14
Motor and belt drive	15
Tension bearing	16
Energy chain and carriage driver.....	17
Racking	18
Racking needle bed and additional bed	19
Needle bed racking.....	20
Additional bed racking on the right	21
Racking needle bed on the left	22
Needle beds	23
Needle bed E6.2	24
Continuation needle bed E6.2	25
Additional bed E6.2.....	26
Needle bed E7.2	27
Continuation needle bed E7.2	28
Additional bed complete E7.2.....	29
Needle bed E6.2(12).....	30
Continuation needle bed E6.2(12).....	31
Additional bed E6.2(12)	32
Needle bed E7.2(14).....	33
Continuation needle bed E7.2(14).....	34
Additional bed E7.2(14)	35
Clamping/cutting unit	36

Crankcase	37
Crankcase with drive.....	38
Selection housing.....	39
Carriage.....	40
Overview of carriage	41
Overview of carriage, continuation	42
Carriage assembly	43
Carriage guide	44
Spare parts package carriage guide bar.....	45
Cam parts E6.2 (Top side).....	46
Cam parts E6.2 (Bottom side).....	47
Supporting block on the left complete.....	48
Control unit complete	49
Control unit.....	50
Supporting block on the right complete	51
Cam parts E7.2 (Top side).....	52
Cam parts E7.2 (Bottom side).....	53
Cam part E6.2(12) (Top side)	54
Cam part E6.2(12) (Bottom side).....	55
Cam part E7.2(14) (Top side)	56
Cam part E7.2(14) (Bottom side).....	57
Yarn carrier driving without guiding part	58
Yarn carrier driving with guiding part	59
Additional cam box E6.2	60
Additional cam box E7.2	61
Additional cam E6.2(12) + E7.2(14).....	62
Needle detector.....	63
Brush holder.....	64
Control unit brush.....	65
Control unit Holding-down jack	66
Carriage cover	67
Main take-down	68

THE RIGHT WAY TO KNIT

Take-down rollers and left bearing	69
Take-down motor and right bearing.....	70
Swivel-mounted bearing	71
Rear take-down roller	72
Impulse giver and motor	73
Stripper angle	74
Front take-down roller.....	75
Pressure angle rail.....	76
Front roller elements.....	77
Floating axle	78
Mounting plate	79
Take-down closing device	80
Closer shaft.....	81
Right swivel support.....	82
Left swivel holder	83
Swivel holder in the middle.....	84
Auxiliary take-down.....	85
Auxiliary take-down.....	86
Motor.....	87
Left bearing of the auxiliary take-down.....	88
Right bearing of the auxiliary take-down	89
Contact lever.....	90
Take-down roller	91
Comb take-down.....	92
Comb take-down.....	93
Comb unit	94
Switch lever comb take-down.....	95
Drive shaft of comb.....	96
Swivel lever comb take-down	97
Motor take-down unit	98
Yarn delivery device	99
Yarn guide system with 20 and 24 FKE	100
Yarn control unit.....	101
Left yarn guide	102
Left yarn tensioner	103

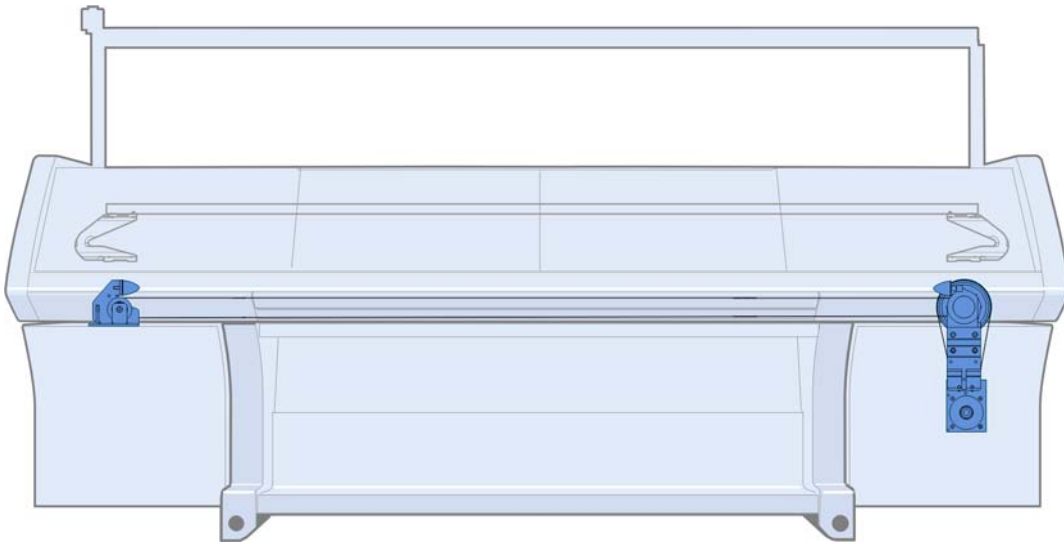
Yarn brake and yarn deflector	104
Left tension axle	105
Right yarn guide	106
Right yarn tensioner	107
Right tension axle	108
Bobbin board	109
Yarn carrier and guide rails	110
Complete yarn carriers	111
Friction feed wheel on the left and on the right complete	112
Left friction feed wheel	113
Right friction feed wheel	114
Feed wheel SFE	115
Fluff absorption	116
Fluff absorption	117
Lint container	118
Set of tubes	119
Operation and control	120
Input unit	121
Signal light	122
Starting unit	123
Bearing of the engaging rod	124
Collecting area - control	125
Shock stop motion	126
Measuring device E10-18	127
Protective device	128
Lateral safety covers	129
Panelling	130
Rear panel	131
Electrical equipment	132
Circuit diagram as PDF	133

THE RIGHT WAY TO KNIT

Fuses	134
Trailing cable	135
Loom of cables base 1 OKC.....	136
Loom of cables base 2 OKC.....	137
Loom of cables comb.....	138
Loom of cables 72"	139
Loom of cables 730T/1	140
Loom of cables 730T/2	141
Control electronics	142
Left control cabinet	143
Right control cabinet.....	144
Deliverable accessories	145
Tool.....	146
Lubricating stuff	147
Mechanical parts.....	148
Special equipment	149
Complete intarsia yarn carriers.....	150
Carriage IYC	151
Bow and head IYC.....	152
Plating yarn carrier 3+6	153
Plating yarn carrier 4+5	154
Carriage of plating yarn carrier (adjustable)	155
Carriage of plating yarn carrier (46mm).....	156
Yarn length measuring device	157
Additional board retrofit kit.....	158
Additional board at the bottom.....	159
Bobbin holder on the left.....	160
Bobbin holder on the right	161
Conversion kit 16 IYC type 2	162
Overview of conversion kit E6.2 + E7.2.....	163

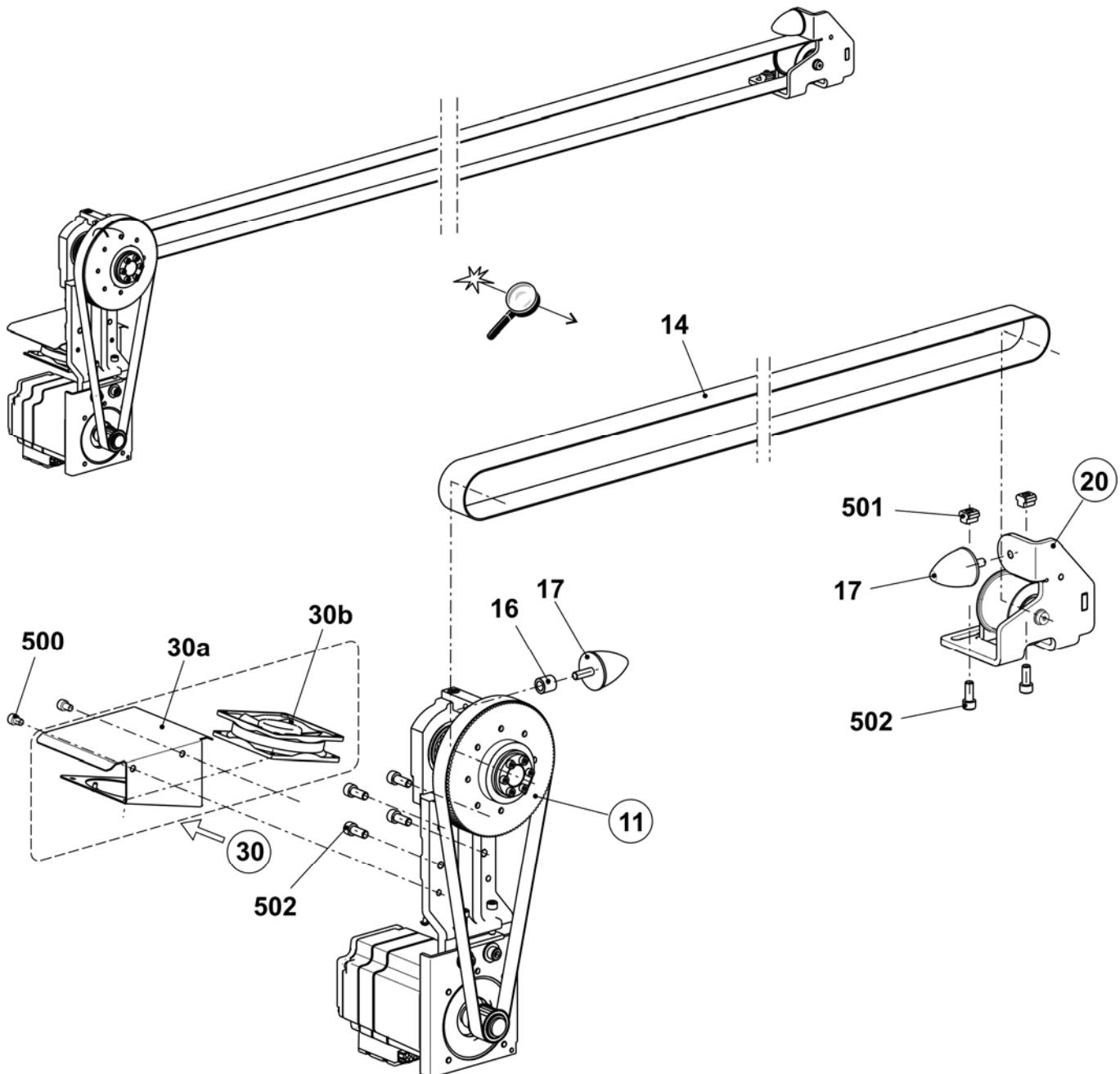
Driving in the middle	164
Driving outside	165
Thread deflector on the left.....	166
Yarn deflector on the right.....	167
Yarn guide complete E7-8 IYC	168
Yarn guide complete E10-14 IYC	169

Carriage drive



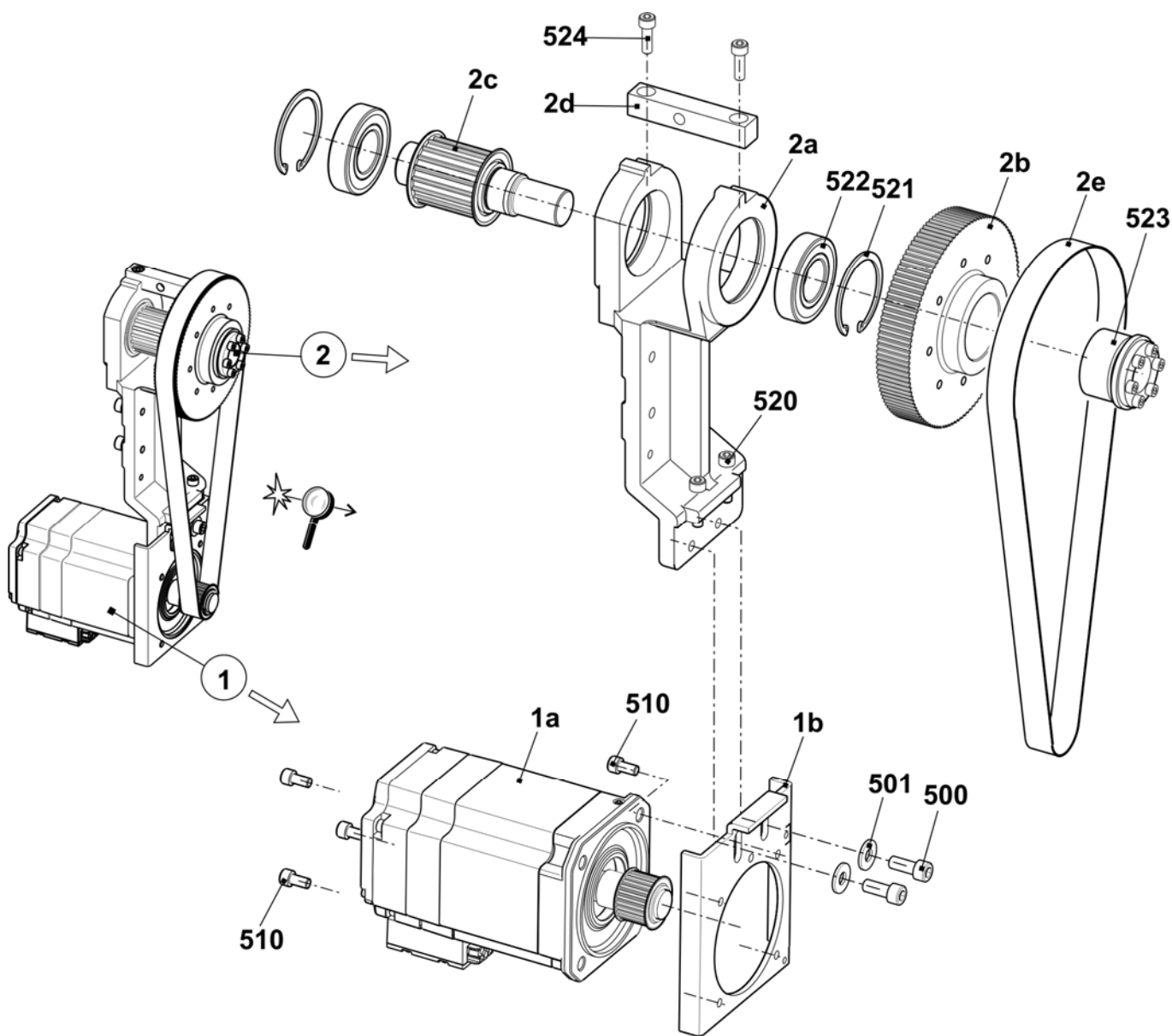
Drive

Pos	Designation	Ident no.	Pos	Designation	Ident no.
Σ	Drive unit		30	Ventilator complete	242 413
11	Drive unit complete	240 743	30a	Ventilator plate drive motor	241 823
14	Toothed belt 50AT10/6370	253 850	30b	Ventilator complete 512	213 722
16	Distance pipe	222 099	500	Cap screw M8X12	023 138
17	Parabolic spring	200 661	501	Slide nut M10X12	023 471
20	Tension bearing complete	251 581	502	Cap screw M10x25	020 157



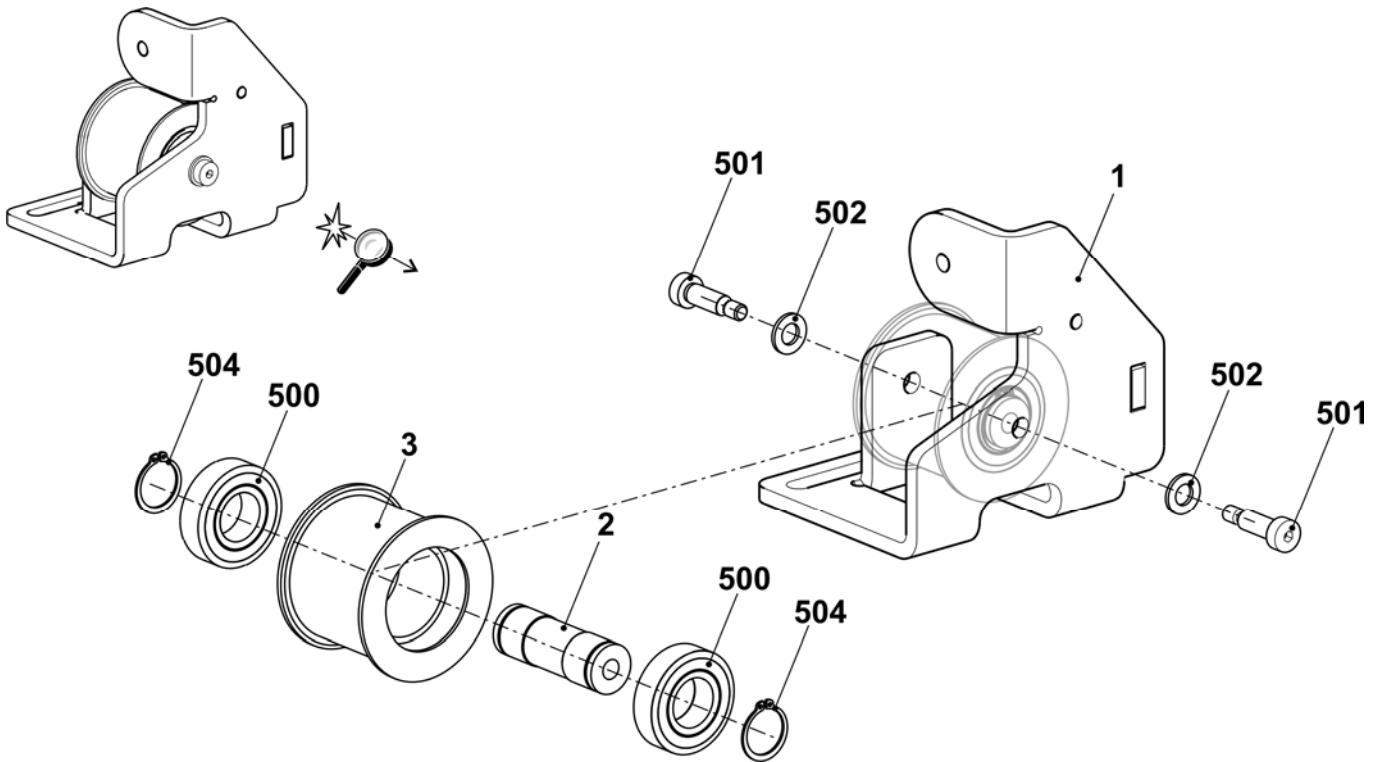
Motor and belt drive

Pos	Designation	Ident no.	Pos	Designation	Ident no.
Σ	Drive unit complete	240 743	2	Drive bearing complete	240 742
1	Drive unit	240 741	2a	Drive bearing	241 654
1a	Drive motor complete	240 740	2b	Timing belt pulley	240 616
1b	Motor plate	227 662	2c	Pinion 57 AT10 18	242 039
510	Cap screw M8X16	023 629	2d	Support buffer	222 100
500	Cap screw M10x25	020 157	2e	Toothed belt 250 HP-S5M 1050 NG	240 628
501	Disc 10.5X25X2.5	022 178	520	Cap screw M8X35	020 144
			521	Locking ring 68x2.5	022 914
			522	Ball bearing 6207-2RS	022 915
			523	Tension set 30X55	023 208
			524	Cap screw M8X25 12.9	020 142



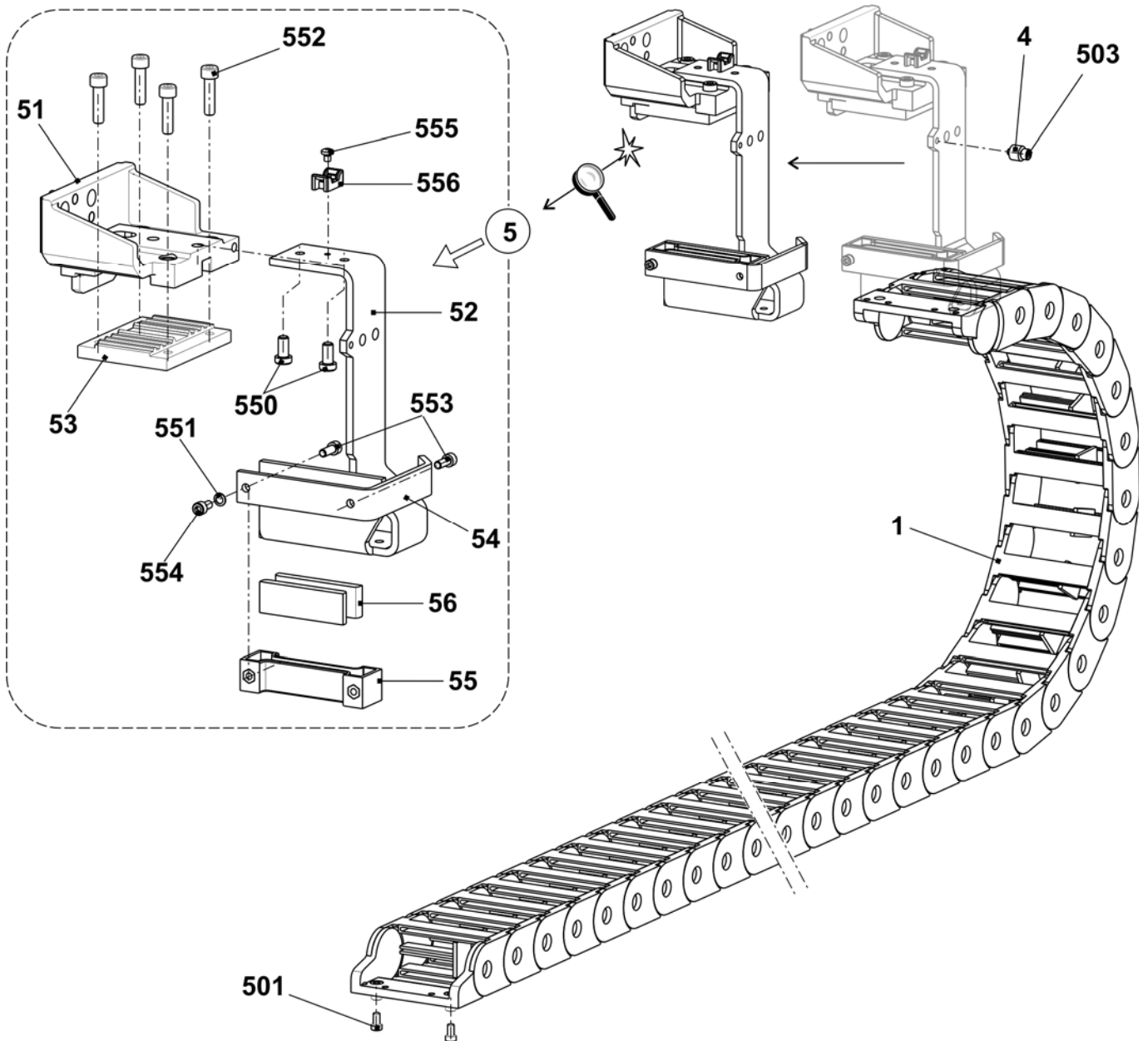
Tension bearing

Pos	Designation	Ident no.	Pos	Designation	Ident no.
Σ	Tension bearing complete	251 581	500	Ball bearing 6205-2RS	023 559
1	Tension bearing	251 560	501	Cap screw M10x25	023 751
2	Axle	251 579	502	U-washer	020 874
3	Tension roller	251 580	504	Locking ring 25x1.2	251 617

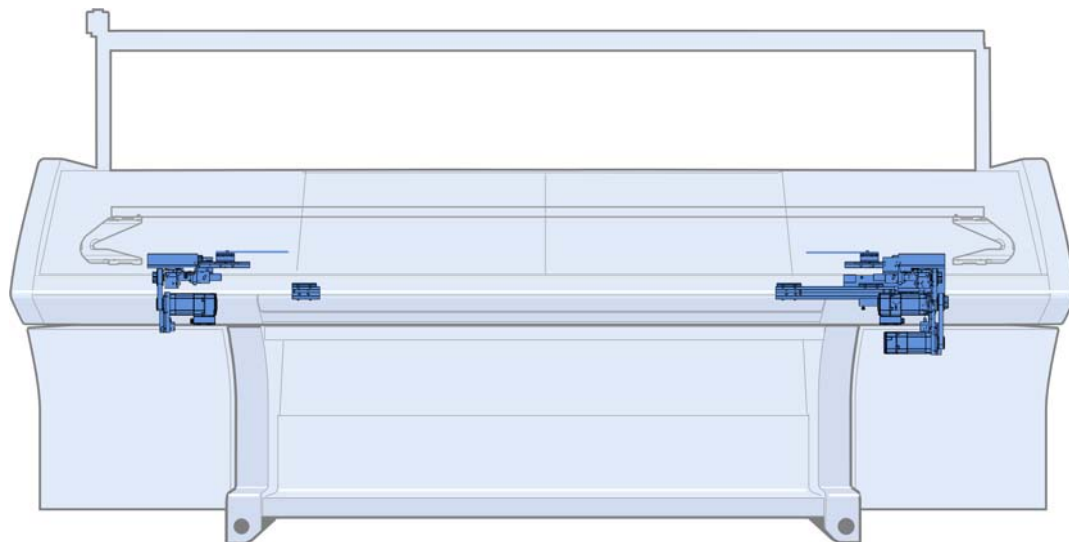


Energy chain and carriage driver

Pos	Designation	Ident no.	Pos	Designation	Ident no.
1	Energy chain 37 links	223 864	5	Continuation carriage driver complete	
4	Spacer	214 584	56	Cellular caoutchouc black	202 597
501	Cap screw M6x8	023 411	550	Cap screw M8x16 8.8	023 144
503	Cap screw M6x16	020 135	551	Circlip S6	022 752
5	Carriage driver complete	241 430	552	Cap screw M8X30	020 143
51	Carriage driver	241 404	553	Cap screw M6x16	020 135
52	Cable driver	251 262	554	Cap screw M6x12	020 134
53	Clamping plate	226 111	555	Countersunk screw M5x6	023 284
54	Cover strip	230 698	556	Fixing element	026 489
55	Cable holder	204 688			

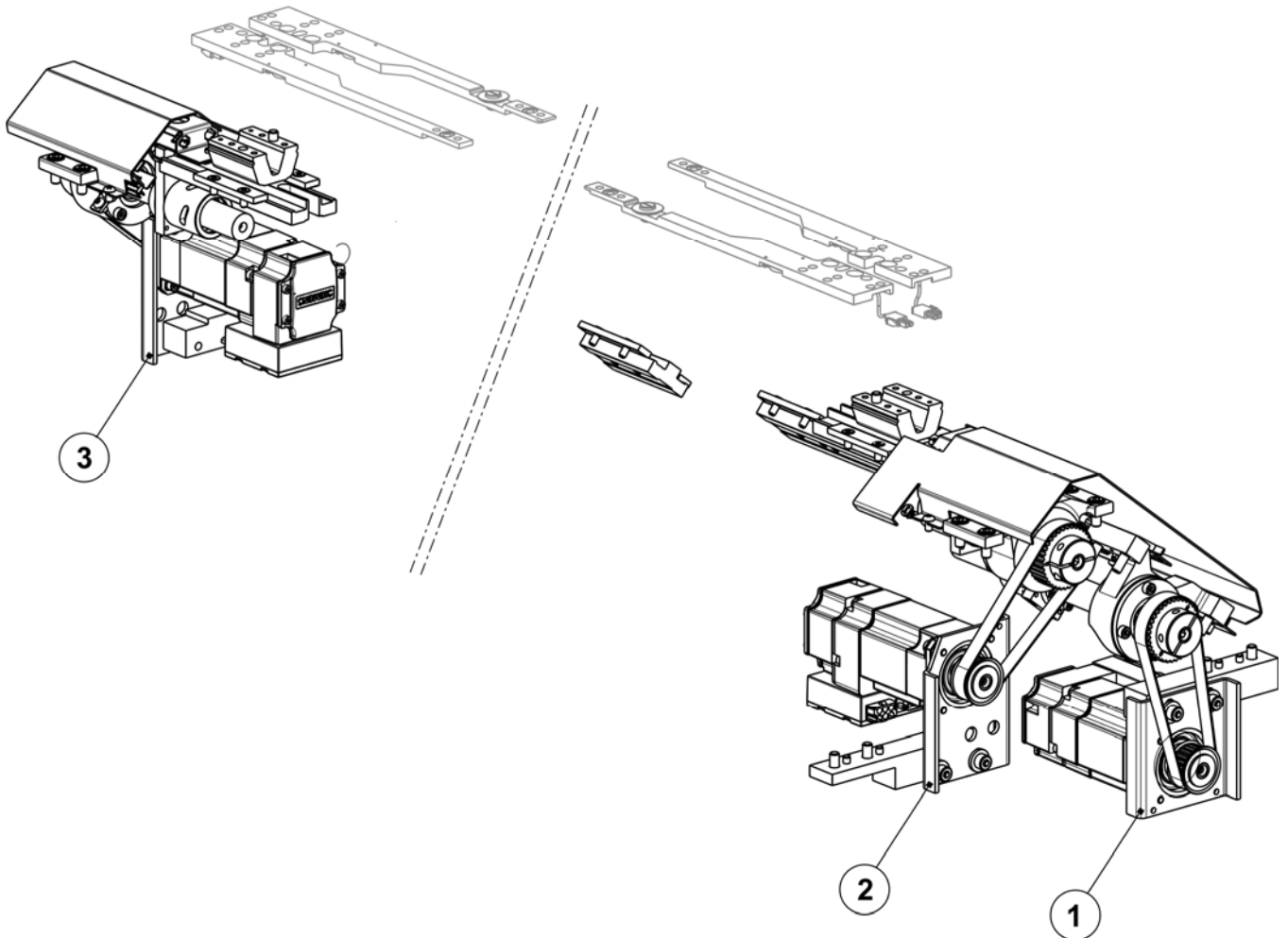


Racking



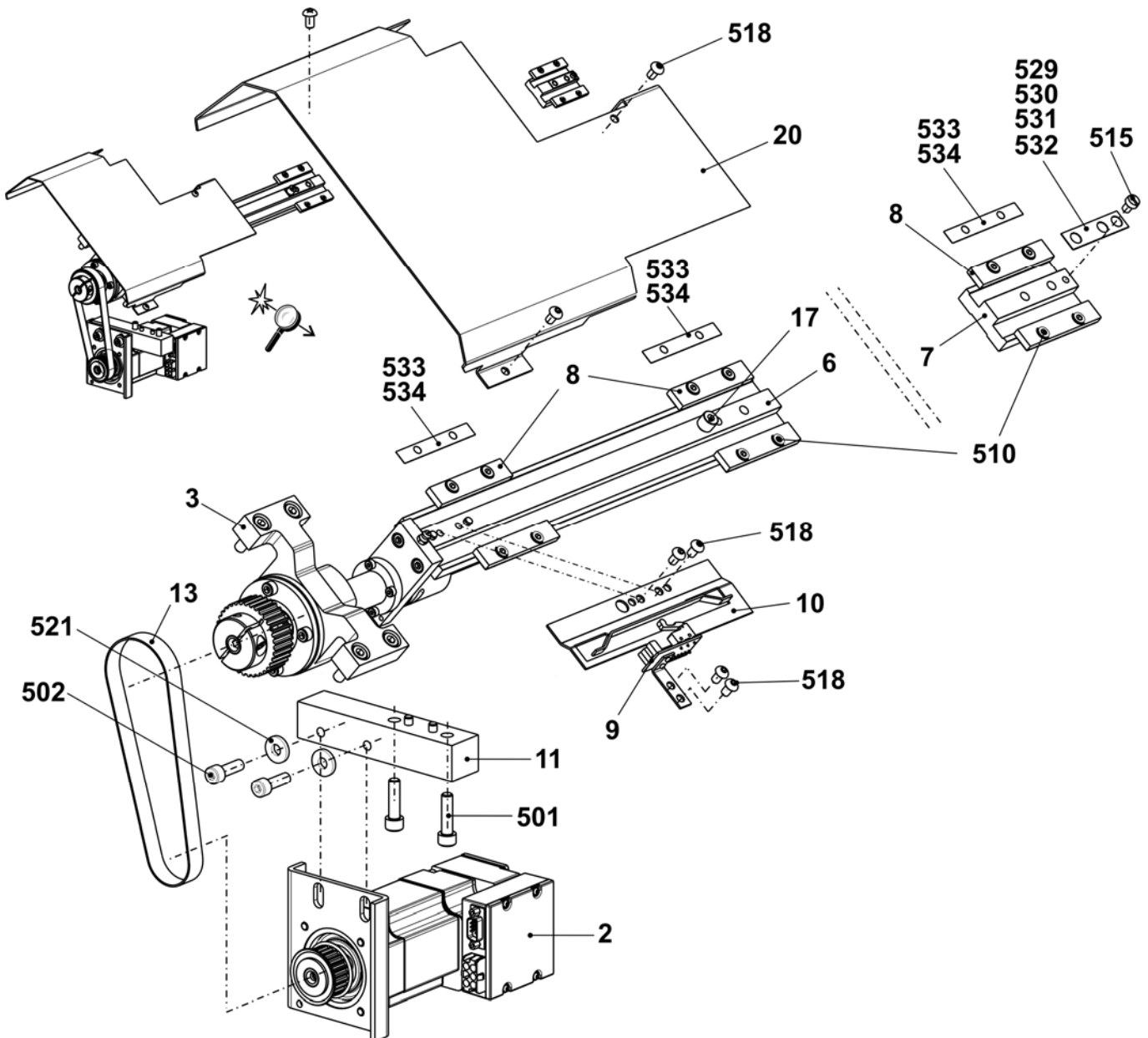
Racking needle bed and additional bed

Pos	Designation	Ident no.	Pos	Designation	Ident no.
1	Needle bed racking				
2	Additional bed racking on the right				
3	Racking needle bed on the left				



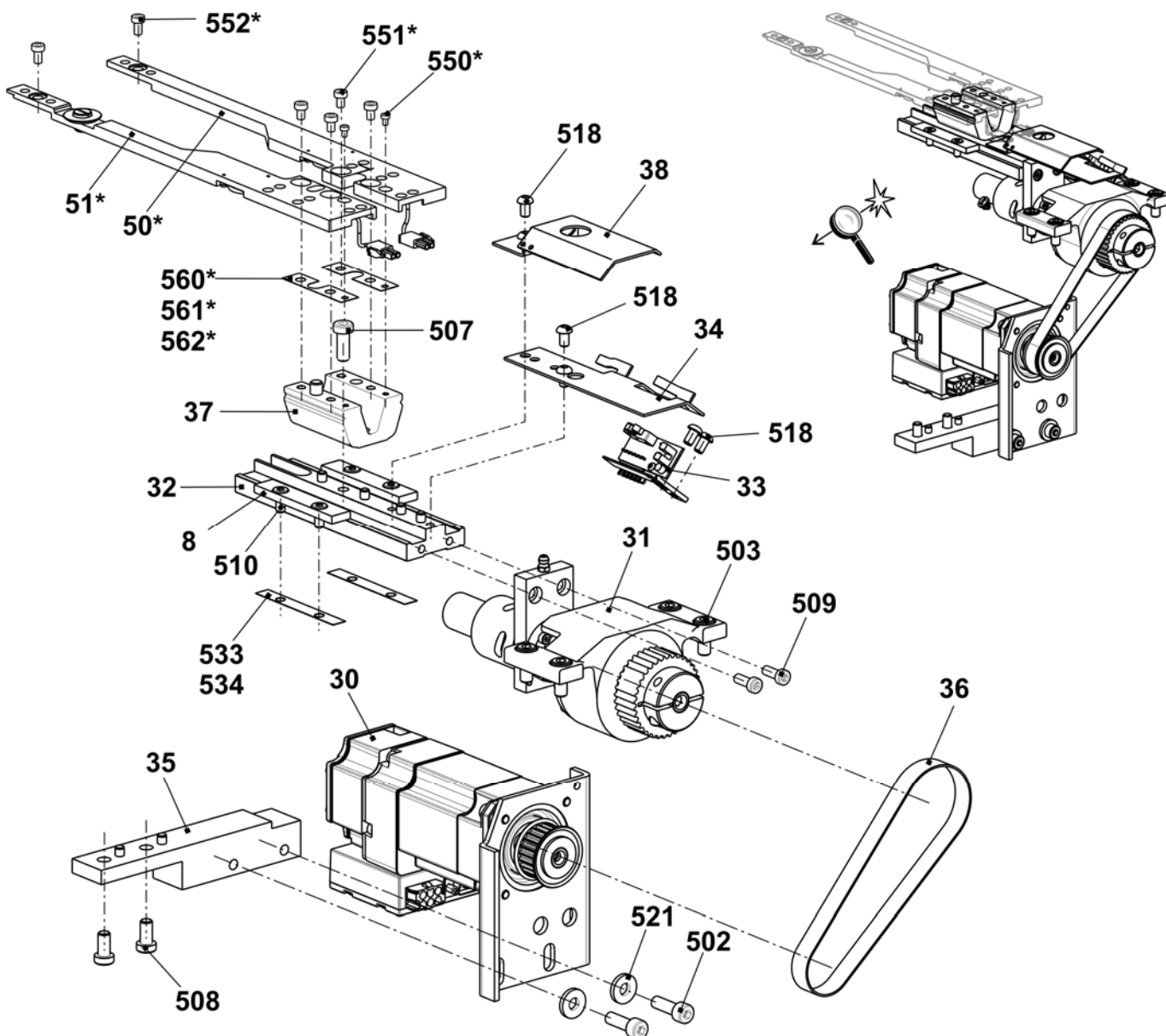
Needle bed racking

Pos	Designation	Ident no.	Pos	Designation	Ident no.
Σ	Needle bed racking		501	Cap screw M8X30	020 143
2	Three phase servo motor racking co.	241 454	502	Cap screw M8X25	020 142
3	Spindle bearing	253 262	510	Cap screw M6x12	022 795
6	Racking strip	241 853	515	Cap screw M6x8	020 044
7	Racking strip on the left	219 648	518	Countersunk screw M6x10	023 183
8	Guide strip	206 382	521	U-washer 8.4x20x3	022 175
9	Card racking limit switch	229 396	529	Shim 0.03x15x63	023 482
10	Switching metal plate	240 722	530	Shim 0.05x15x63	023 483
11	Bearing	227 605	531	Shim 0.1x15x63	023 484
13	Toothed belt 150 S 5M 425	229 280	532	Shim 0.2x15x63	023 485
17	Stop screw	222 645	533	Shim 0.03x11x80	023 286
20	Racking cover plate	244 436	534	Shim 0.05x11x80	023 287



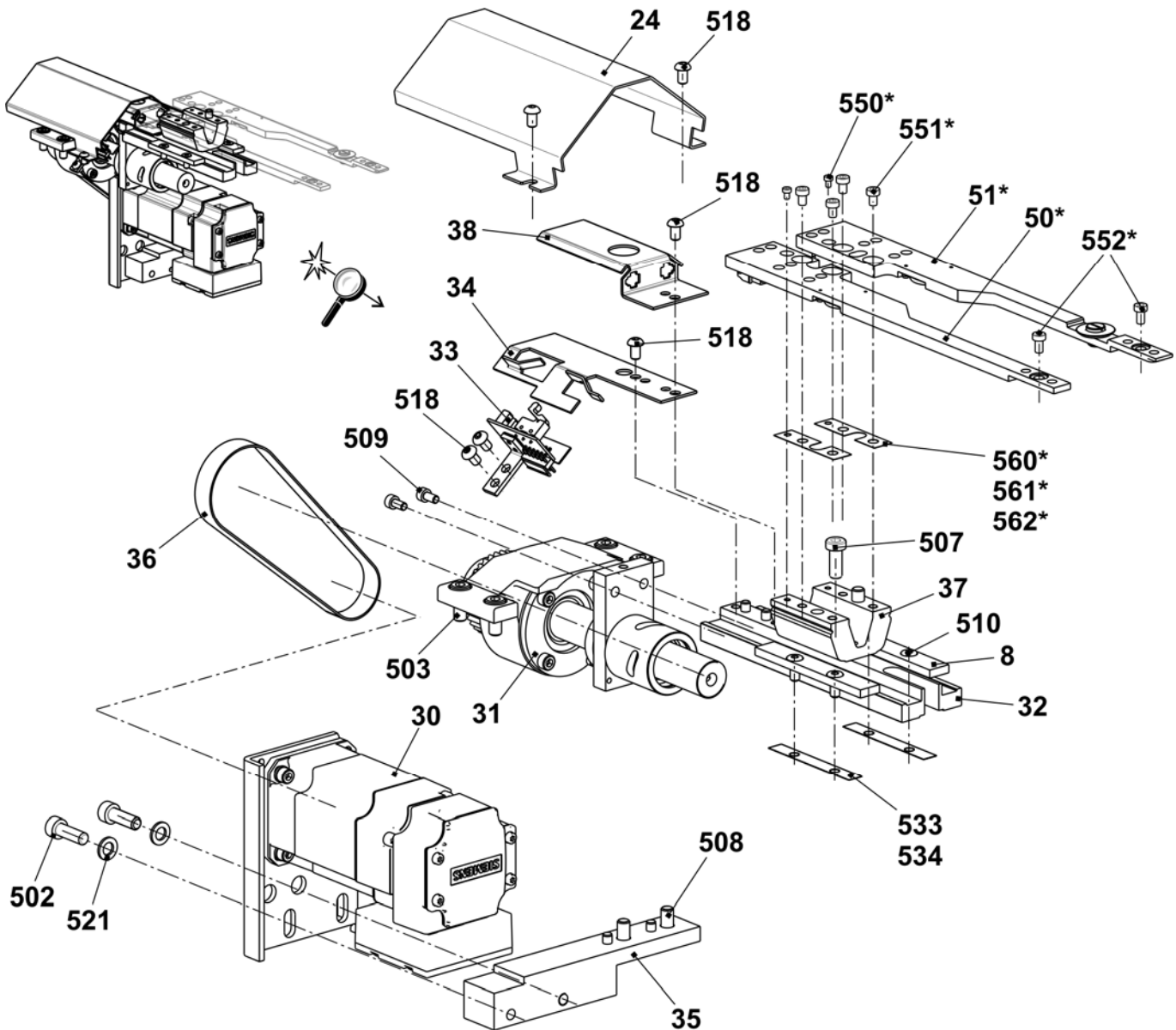
Additional bed racking on the right

Pos	Designation	Ident no.	Pos	Designation	Ident no.
Σ	Additional bed racking on the right				
8	Guide strip	206 382	509	Cap screw M6x16	023 116
30	Three phase servo motor racking co.	242 731	510	Cap screw M6x12	022 795
31	Spindle bearing	243 206	518	Countersunk screw M6x10	023 183
32	Racking plate additional bed	242 907	521	U-washer 8.4x20x3	022 175
33	Card racking limit switch	232 300	533	Shim 0.03x11x80	023 286
34	Switching metal plate ZB	242 908	534	Shim 0.05x11x80	023 287
35	Bearing	243 599	560*	Sim 0.05x60x15	023 479
36	Toothed belt 150 S5M 410	244 254	561*	Shim 0.10x60x15	023 480
37	Driver additional bed	243 197	562*	Shim 0.20x60x15	023 481
38	Sheet metal for plug	242 909	50*	Connection at the rear on the right co.	243 200
502	Cap screw M8X25	020 142	51*	Connection at the front on the right co.	243 199
503	Cap screw M8x16	023 629	550*	Cap screw M4x6	020 019
507	Cap screw M8X20	023 621	551*	Cap screw M6x8	023 532
508	Cap screw M8x16	023 144	552*	Cap screw M6x10	022 773

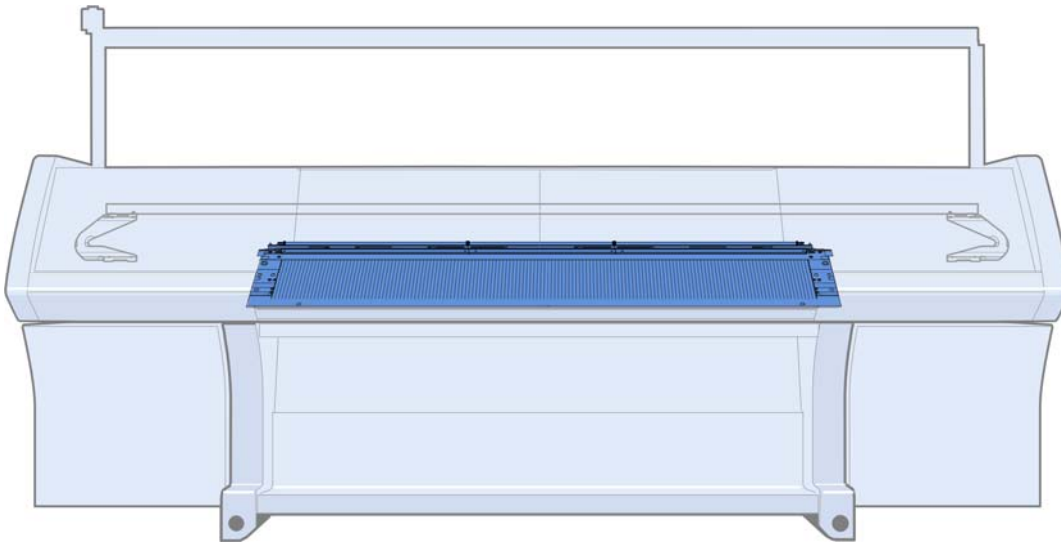


Racking needle bed on the left

Pos	Designation	Ident no.	Pos	Designation	Ident no.
Σ	Racking needle bed on the left		508	Cap screw M8x16	023 144
8	Guide strip	206 382	509	Cap screw M6x16	023 116
24	Racking cover plate	244 435	510	Cap screw M6x12	022 795
30	Three phase servo motor racking co.	242 731	518	Countersunk screw M6x10	023 183
31	Spindle bearing	243 206	521	U-washer 8.4x20x3	022 175
32	Racking plate additional bed	242 907	533	Shim 0.03x11x80	023 286
33	Card racking limit switch	232 300	534	Shim 0.05x11x80	023 287
34	Switching metal plate ZB	242 908	560*	Sim 0.05x60x15	023 479
35	Bearing	243 599	561*	Shim 0.10x60x15	023 480
36	Toothed belt 150 S5M 410	244 254	562*	Shim 0.20x60x15	023 481
37	Driver additional bed	243 197	50*	Connection at the front on the left co.	243 200
38	Sheet metal for plug	242 909	51*	Connection at the rear on the left co.	243 199
502	Cap screw M8X25	020 142	550*	Cap screw M4x6	020 019
503	Cap screw M8x16	023 629	551*	Cap screw M6x8	023 532
507	Cap screw M8X20	023 621	552*	Cap screw M6x10	022 773

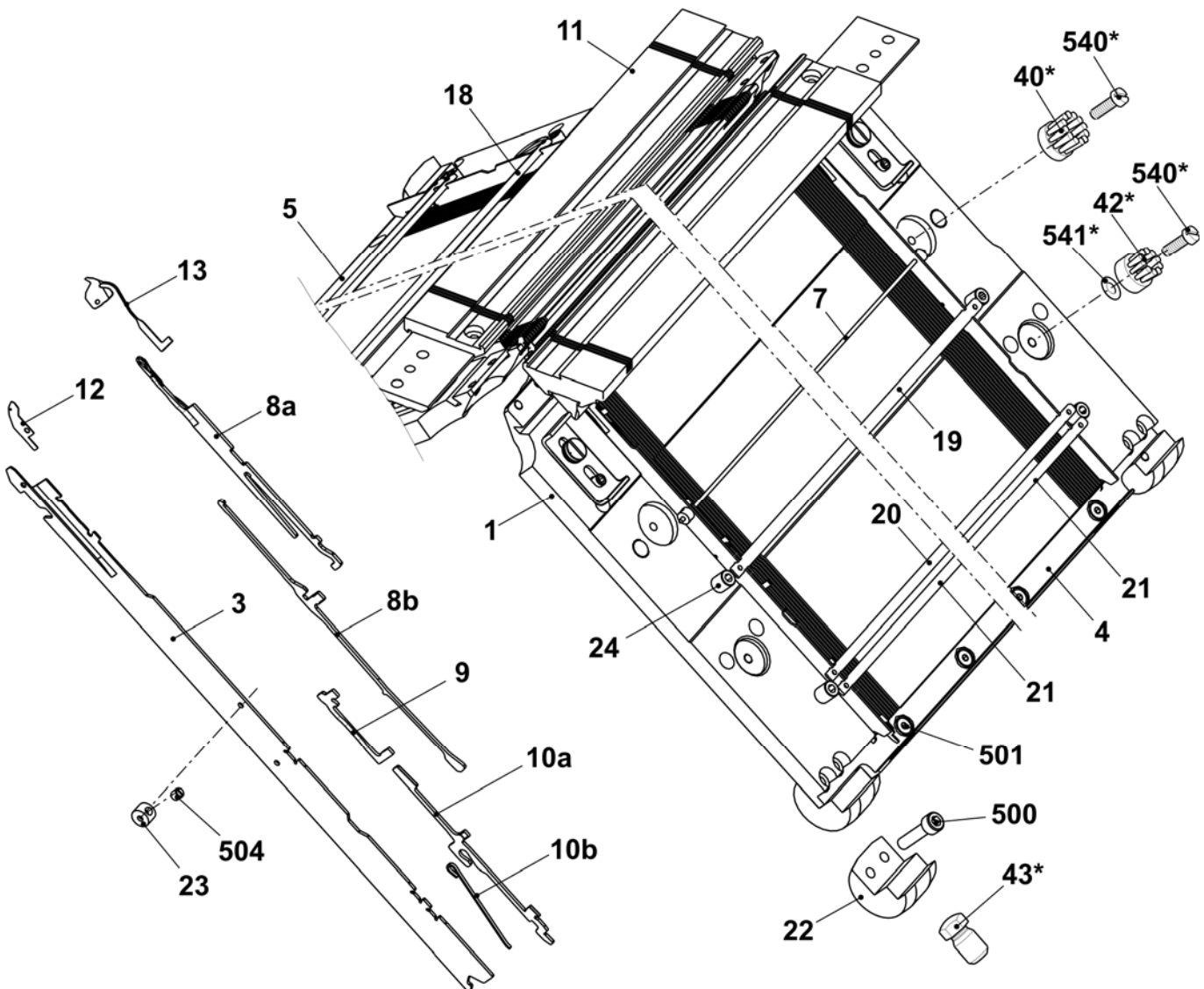


Needle beds



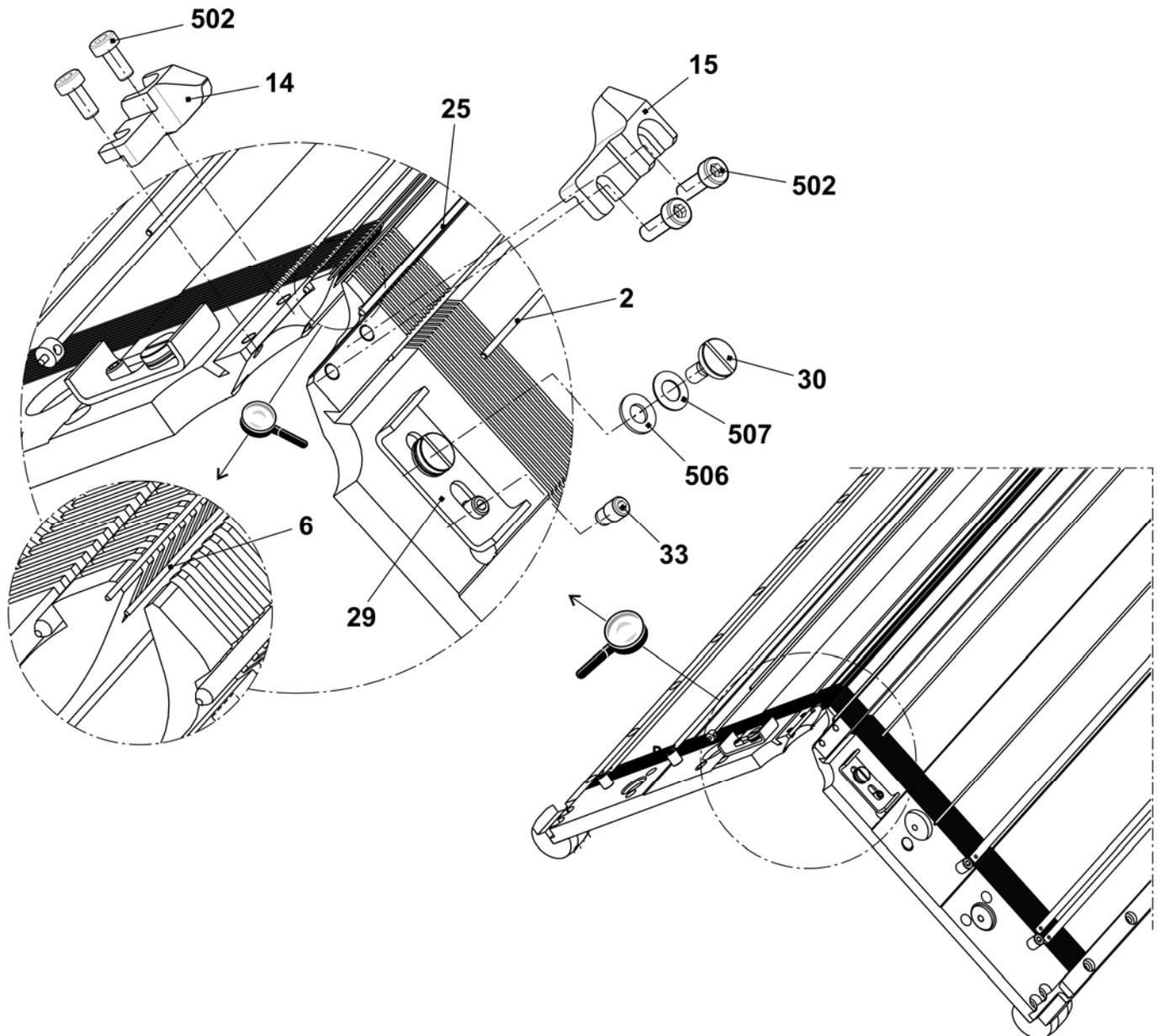
Needle bed E6.2

Pos	Designation	Ident no.	Pos	Designation	Ident no.
Σ	Needle bed co. at the front and rear E6.2	236 015			
1	Needle bed at the front and rear E6.2	238 009	19	Cover rail at the front E12	218 727
3	Main trick wall E12	219 278	20	Cover rail	218 728
4	Pressure slide	218 673	21	Cover rail	218 729
5	Pressure slide at the rear	234 943	22	Support	206 352
7	Spring steel wire $\varnothing 2.0$ mm	218 676	23	Bush	206 090
8a	Needle E6.2	207 349	24	Stop screw	214 039
8b	Coupling part E10-12	200 683	500	Cap screw M6X14	022 658
9	Intermediate slider with brake E10-12	237 324	501	Cap screw M5x8	023 379
10a	Selection jack E10-12	200 688	504	Set screw M3.5x3	020 512
10b	Selector spring E10-12	200 691	40*	Disk brush	235 612
11	Additional bed complete E6.2	238 013	42*	Disk brush	202 600
12	Knock-over bit E6.2	237 978	43*	Adjusting bolt	240 765
13	Holding-down jack E6.2	238 957	540*	Cap screw M5x12	020 032
18	Cover rail at the rear	218 725	541*	Adjusting washer P6x0.3	023 540



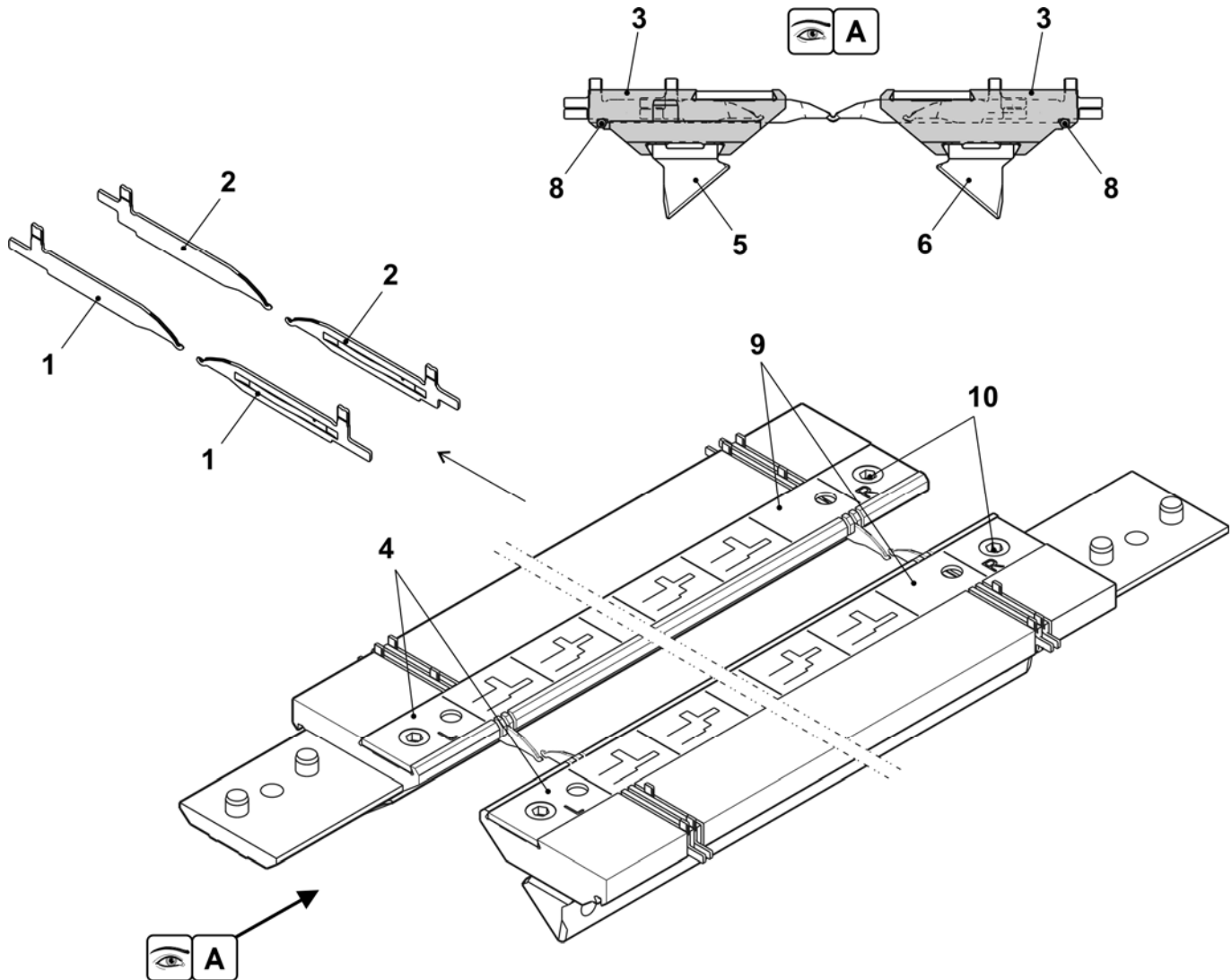
Continuation needle bed E6.2

Pos	Designation	Ident no.	Pos	Designation	Ident no.
2	Fixed wire $\varnothing 3.4$ mm	218 674	30	Shoulder screw	219 958
6	Spring steel wire $\varnothing 0.6$ mm	218 675	33	Eccentric	231 069
14	Limiters on the right E10-14	225 083	502	Cap screw M5x10	022 918
15	Limiters on the left E10-14	225 084	506	Adjusting washer 6x12x1	023 444
25	Spring steel wire $\varnothing 1.95$ mm	218 731	507	Spring washer B6-FST	023 493
29	Safety plate	219 955			



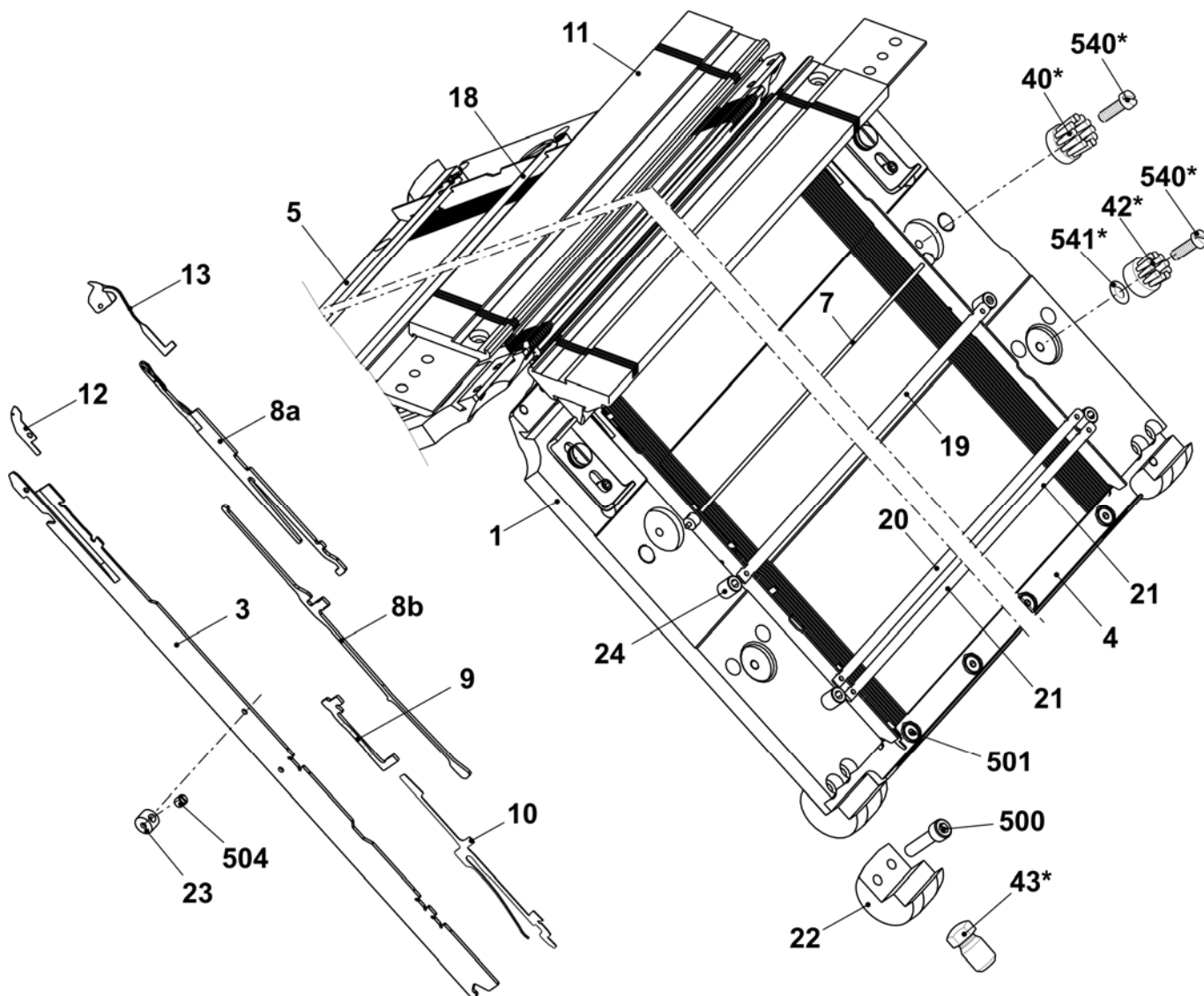
Additional bed E6.2

Pos	Designation	Ident no.	Pos	Designation	Ident no.
Σ	Additional bed complete E6.2	238 013	5	Needle rail on the left	235 892
1	Transfer cam selection bottom E6.2	235 939	6	Needle rail on the right	235 896
2	Transfer cam selection top E6.2	235 938	8	Spring steel wire Ø2.0	218 676
3	Additional bed at the front and rear E12m.10+6.2	235 005	9	Cover rail at the right	235 558
4	Cover rail at the left	234 946	10	Srew M5x6	235 871



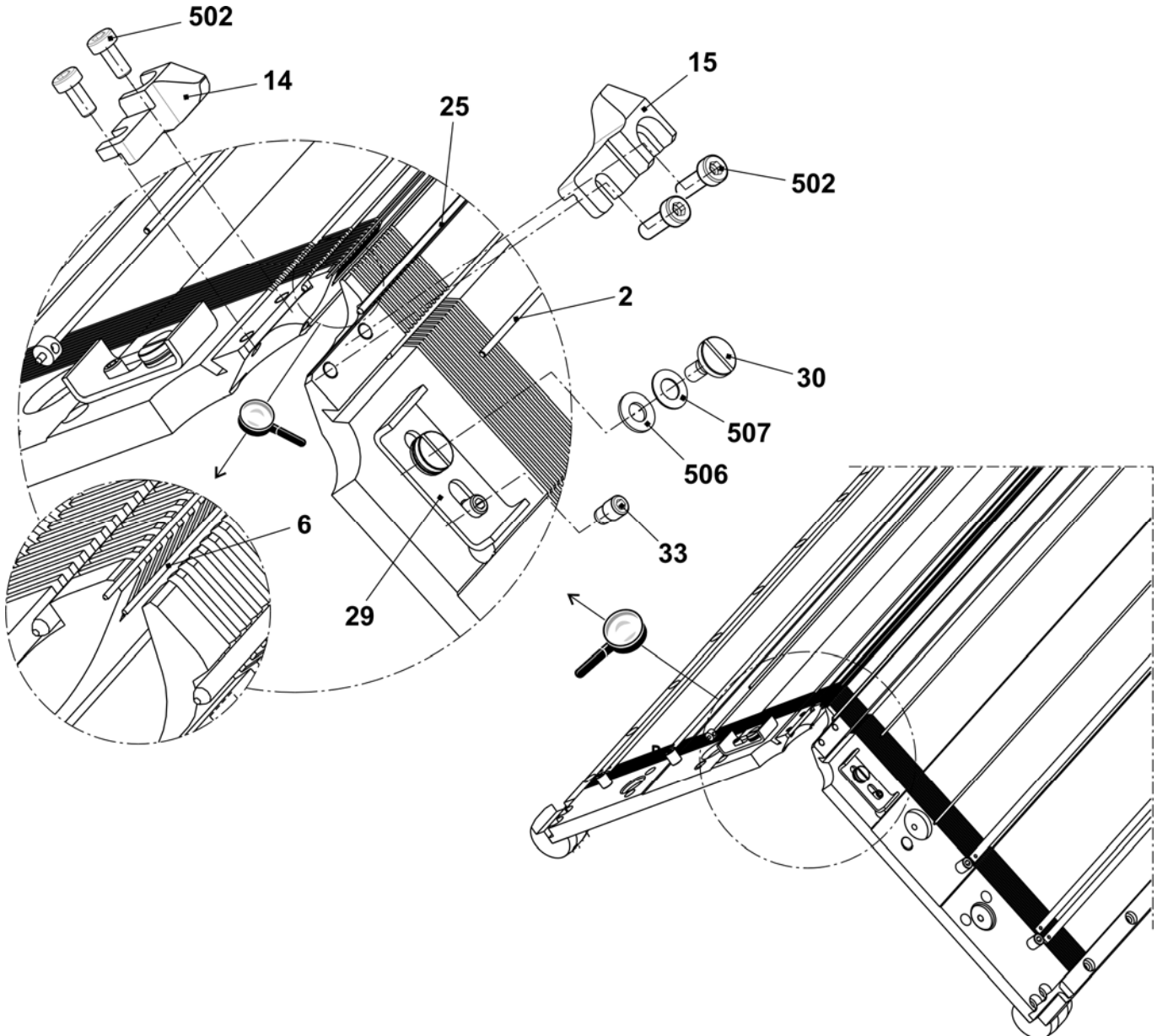
Needle bed E7.2

Pos	Designation	Ident no.	Pos	Designation	Ident no.
Σ	Needle bed co. at the front + rear E7.2	236 014	19	Cover rail at the front E14	219 686
1	Needle bed at the front + rear E7.2	238 010	20	Cover rail	218 728
3	Main trick wall E14	219 353	21	Cover rail	218 729
4	Pressure slide	218 673	22	Support	206 352
5	Pressure slide at the rear	234 943	23	Bush	206 090
7	Spring steel wire ø2.0 mm	218 676	24	Stop screw	214 039
8a	Needle 7.2	225 230	500	Cap screw M6X14	022 658
8b	Coupling part E14	209 633	501	Cap screw M5x8	023 379
9	Intermediate slider with brake E14	237 373	504	Set screw M3.5x3	020 512
10	Selection jack with spring E14	224 725	40*	Disk brush	235 612
11	Additional bed complete E7.2	238 014	42*	Disk brush	202 600
12	Knock-over bit E7.2	237 997	43*	Adjusting bolt	240 765
13	Holding-down jack E7.2	237 996	540*	Cap screw M5x12	020 032
18	Cover rail at the rear	218 725	541*	Adjusting washer P6x0.3	023 540



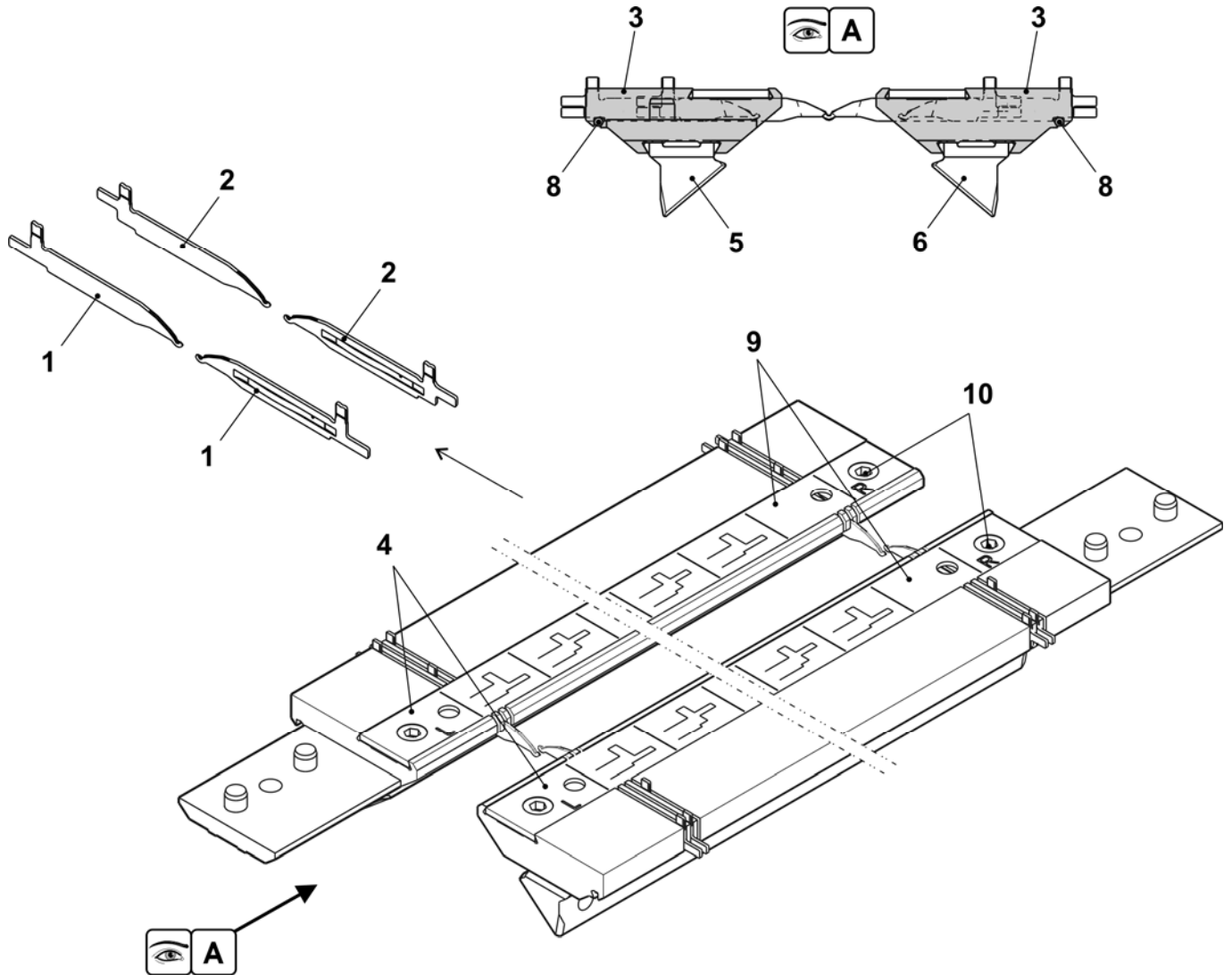
Continuation needle bed E7.2

Pos	Designation	Ident no.	Pos	Designation	Ident no.
2	Fixed wire $\varnothing 3.4$ mm	218 674	30	Shoulder screw	219 958
6	Spring steel wire $\varnothing 0.6$ mm	218 675	33	Eccentric	231 069
14	Limiters on the right E10-14	225 083	502	Cap screw M5x10	022 918
15	Limiters on the left E10-14	225 084	506	Adjusting washer 6x12x1	023 444
25	Spring steel wire $\varnothing 1.95$ mm	218 731	507	Spring washer B6-FST	023 493
29	Safety plate	219 955			



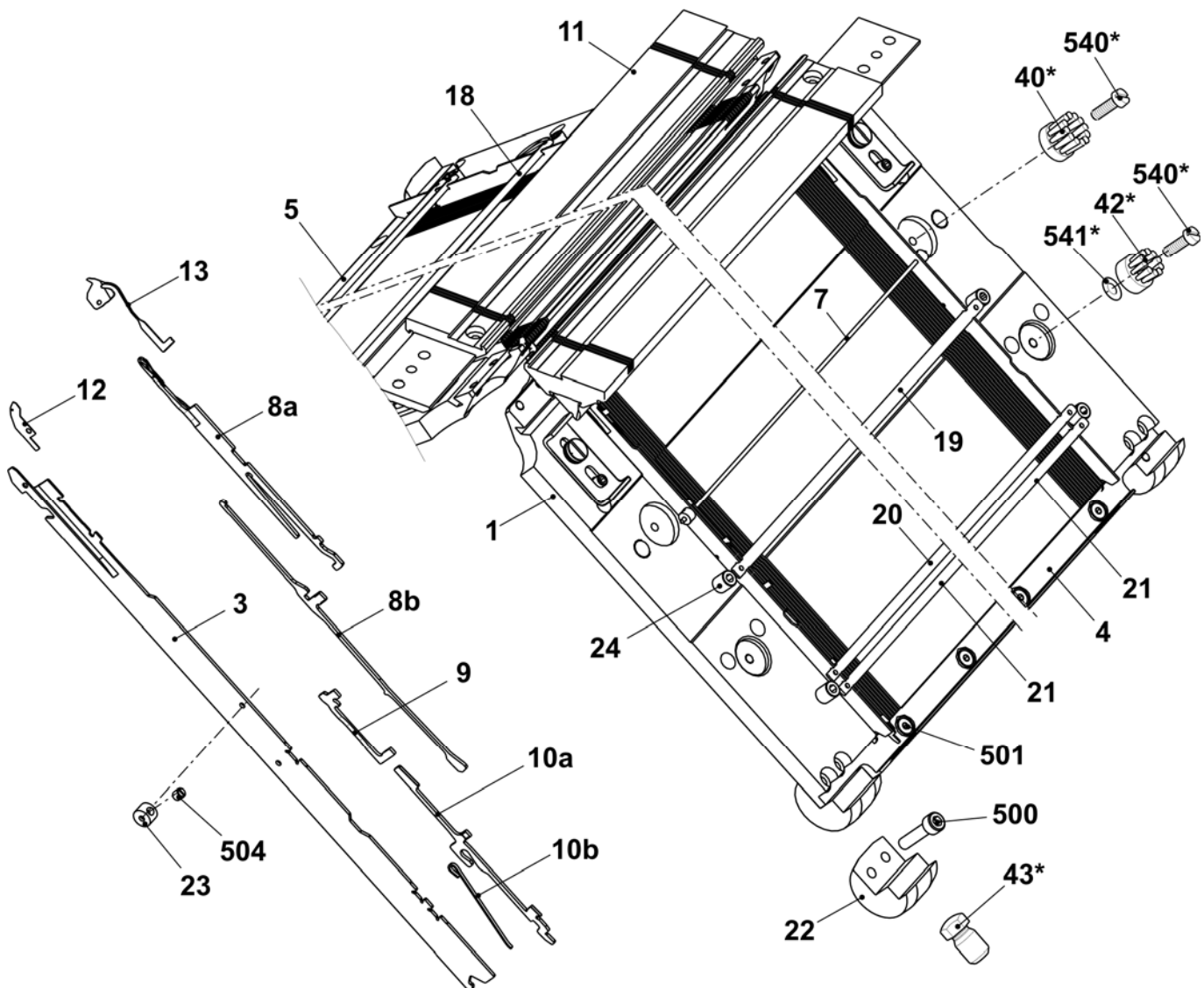
Additional bed complete E7.2

Pos	Designation	Ident no.	Pos	Designation	Ident no.
Σ	Additional bed complete E7.2	238 014	5	Needle rail on the left	235 892
1	Transfer cam selection bottom E7.2	235 934	6	Needle rail on the right	235 896
2	Transfer cam selection top E7.2	235 933	8	Spring steel wire Ø2.0	218 676
3	Additional bed at the front and rear E14+7.2	234 832	9	Cover rail at the right	235 558
4	Cover rail at the left	234 946	10	Srew M5x6	235 871



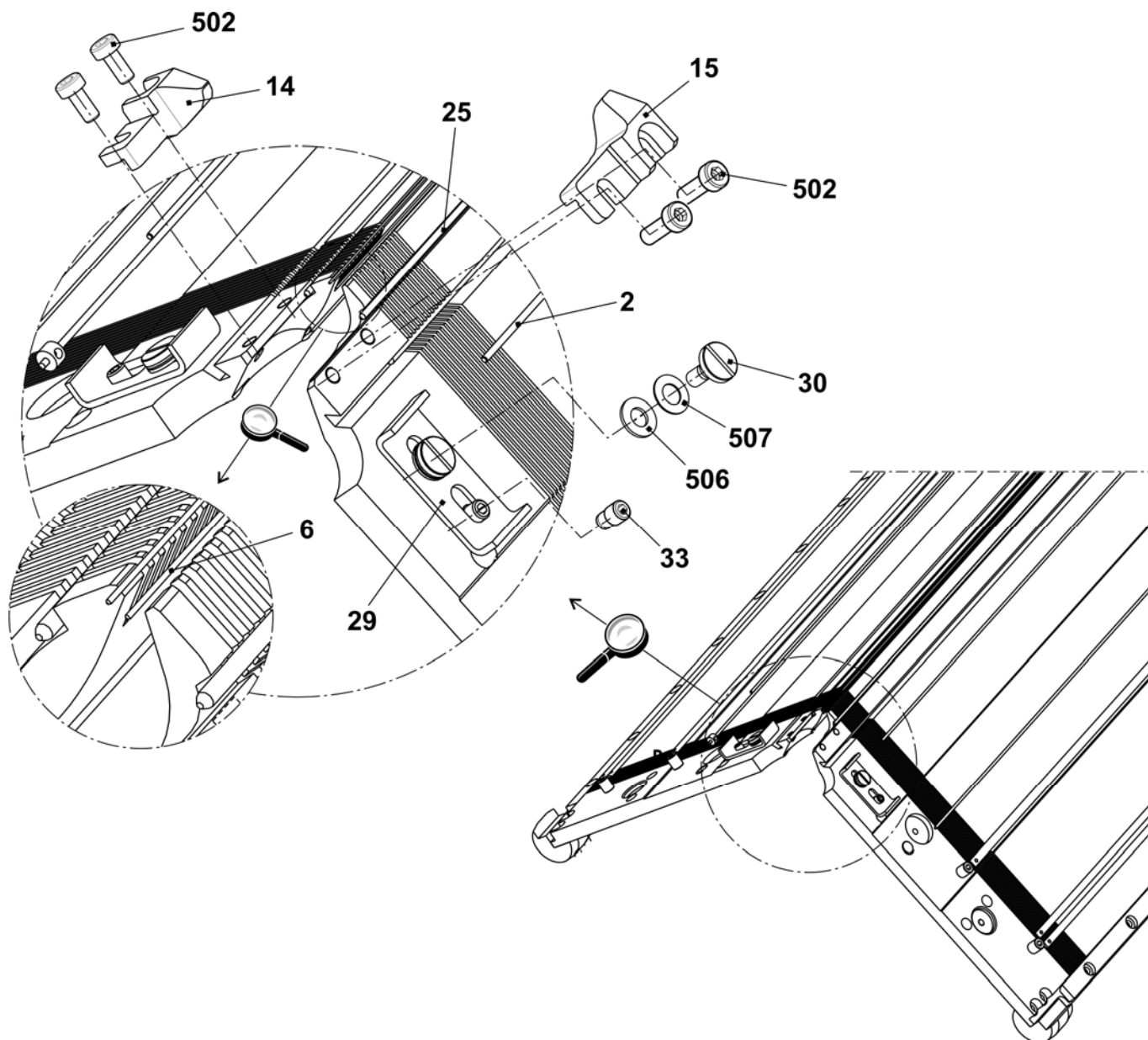
Needle bed E6.2(12)

Pos	Designation	Ident no.	Pos	Designation	Ident no.
Σ	Needle bed co. at the front and rear E12	239 853			
1	Needle bed at the front + rear E12	234 814	19	Cover rail at the front E12	218 727
3	Main trick wall E12	231 771	20	Cover rail	218 728
4	Pressure slide	218 673	21	Cover rail	218 729
5	Pressure slide at the rear	234 943	22	Support	206 352
7	Spring steel wire ø2.0 mm	218 676	23	Bush	206 090
8a	Needle E12	204 009	24	Stop screw	214 039
8b	Coupling part E10-12	200 683	500	Cap screw M6X14	022 658
9	Intermediate slider with brake E10-12	237 324	501	Cap screw M5x8	023 379
10a	Selection jack E10-12	200 688	504	Set screw M3.5x3	020 512
10b	Selector spring E10-12	200 691	40*	Disk brush	235 612
11	Additional bed complete E12	234 834	42*	Disk brush	202 600
12	Knock-over bit E12	219 281	43*	Adjusting bolt	240 765
13	Holding-down jack trick wall E12	227 106	540*	Cap screw M5x12	020 032
18	Cover rail at the rear	218 725	541*	Adjusting washer P6x0.3	023 540



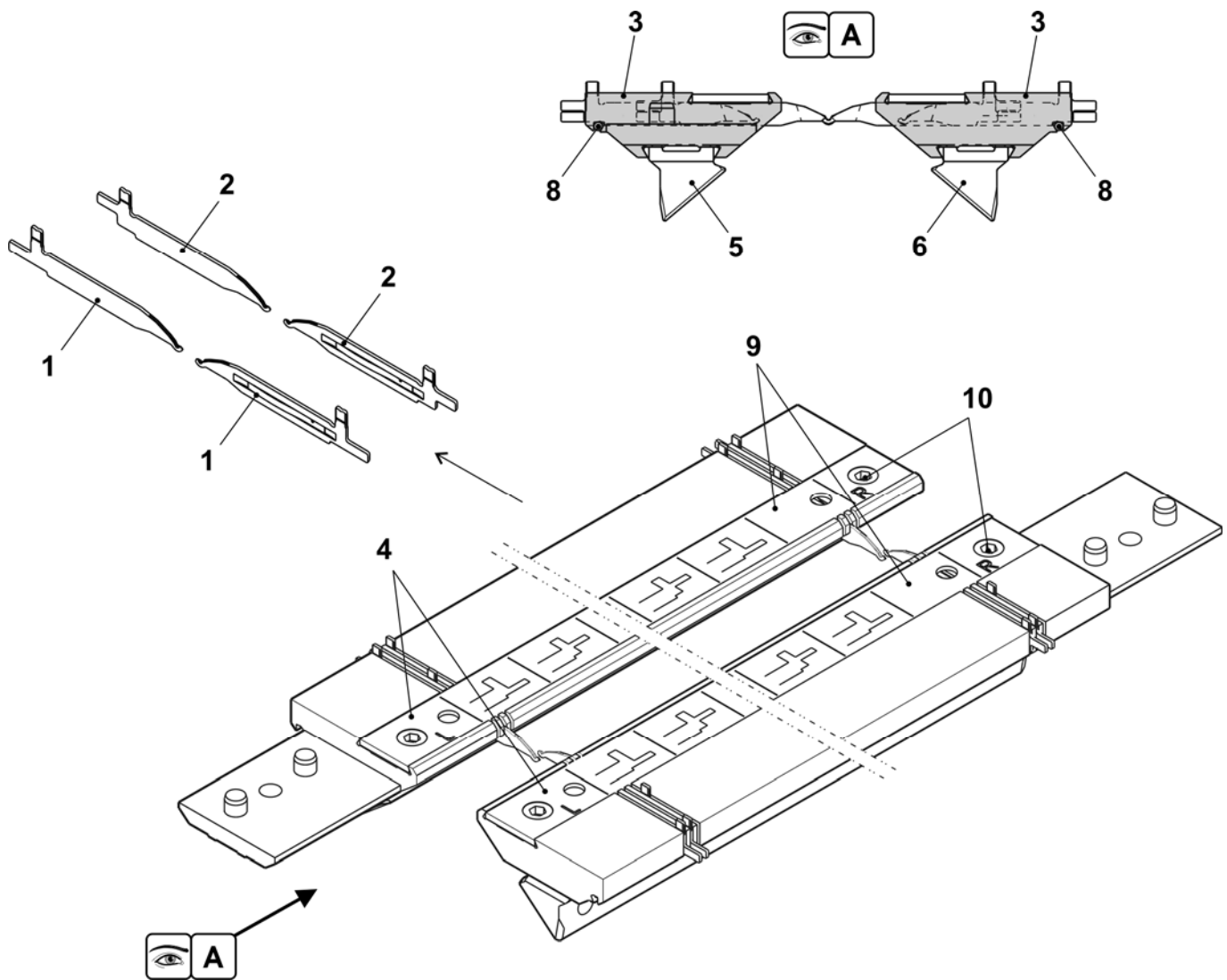
Continuation needle bed E6.2(12)

Pos	Designation	Ident no.	Pos	Designation	Ident no.
2	Fixed wire $\varnothing 3.4$ mm	218 674	30	Shoulder screw	219 958
6	Spring steel wire $\varnothing 0.6$ mm	218 675	33	Eccentric	231 069
14	Limiters on the right E10-14	225 083	502	Cap screw M5x10	022 918
15	Limiters on the left E10-14	225 084	506	Adjusting washer 6x12x1	023 444
25	Spring steel wire $\varnothing 1.95$ mm	218 731	507	Spring washer B6-FST	023 493
29	Safety plate	219 955			



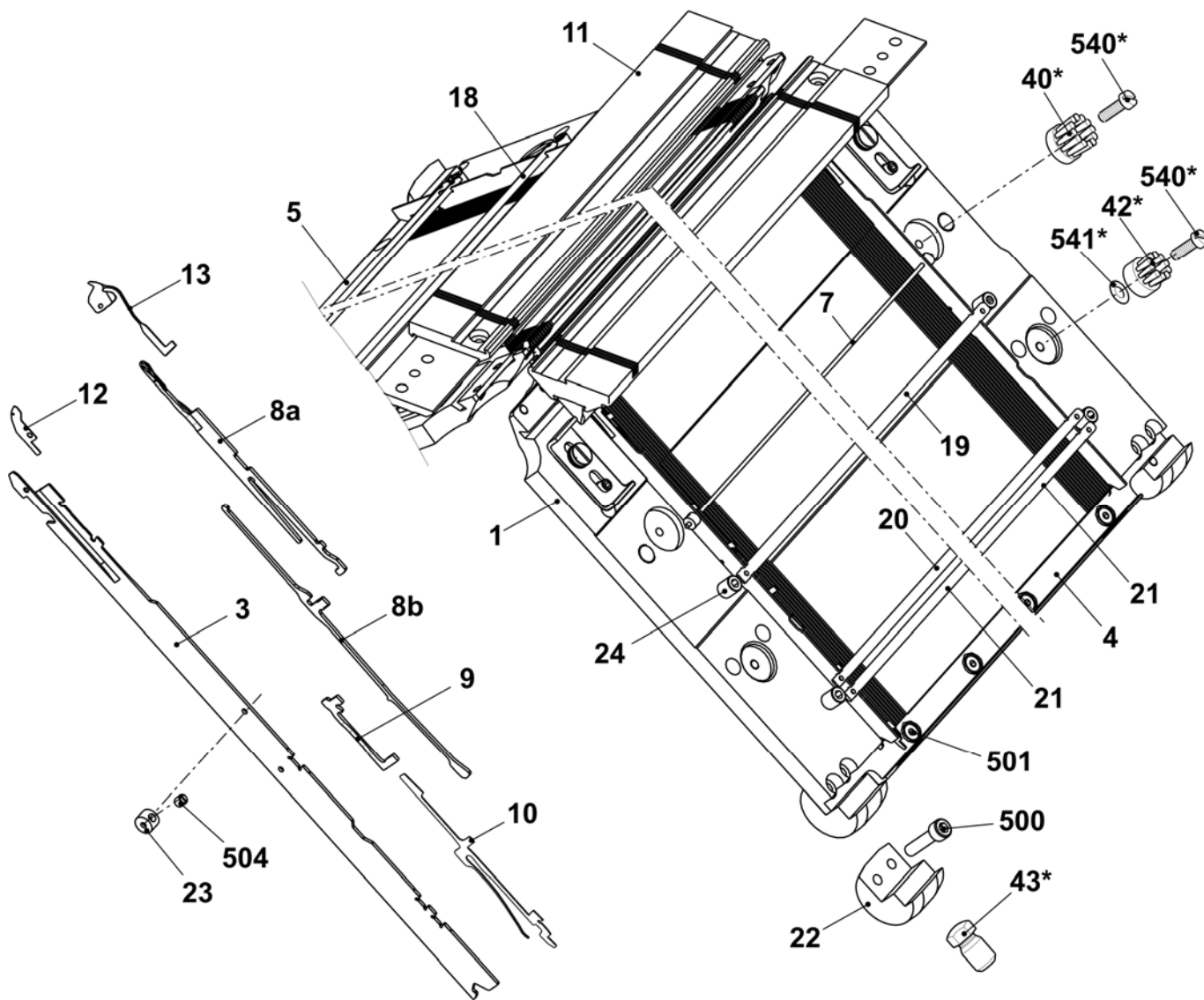
Additional bed E6.2(12)

Pos	Designation	Ident no.	Pos	Designation	Ident no.
Σ	Additional bed complete E12	234 834	5	Needle rail on the left	235 892
1	Transfer cam selection bottom E12-14	230 234	6	Needle rail on the right	235 896
2	Transfer cam selection top E12-14	230 233	8	Spring steel wire $\varnothing 2.0$	218 676
3	Additional bed at the front and rear E12	234 831	9	Cover rail at the right	235 558
4	Cover rail at the left	234 946	10	Srew M5x6	235 871



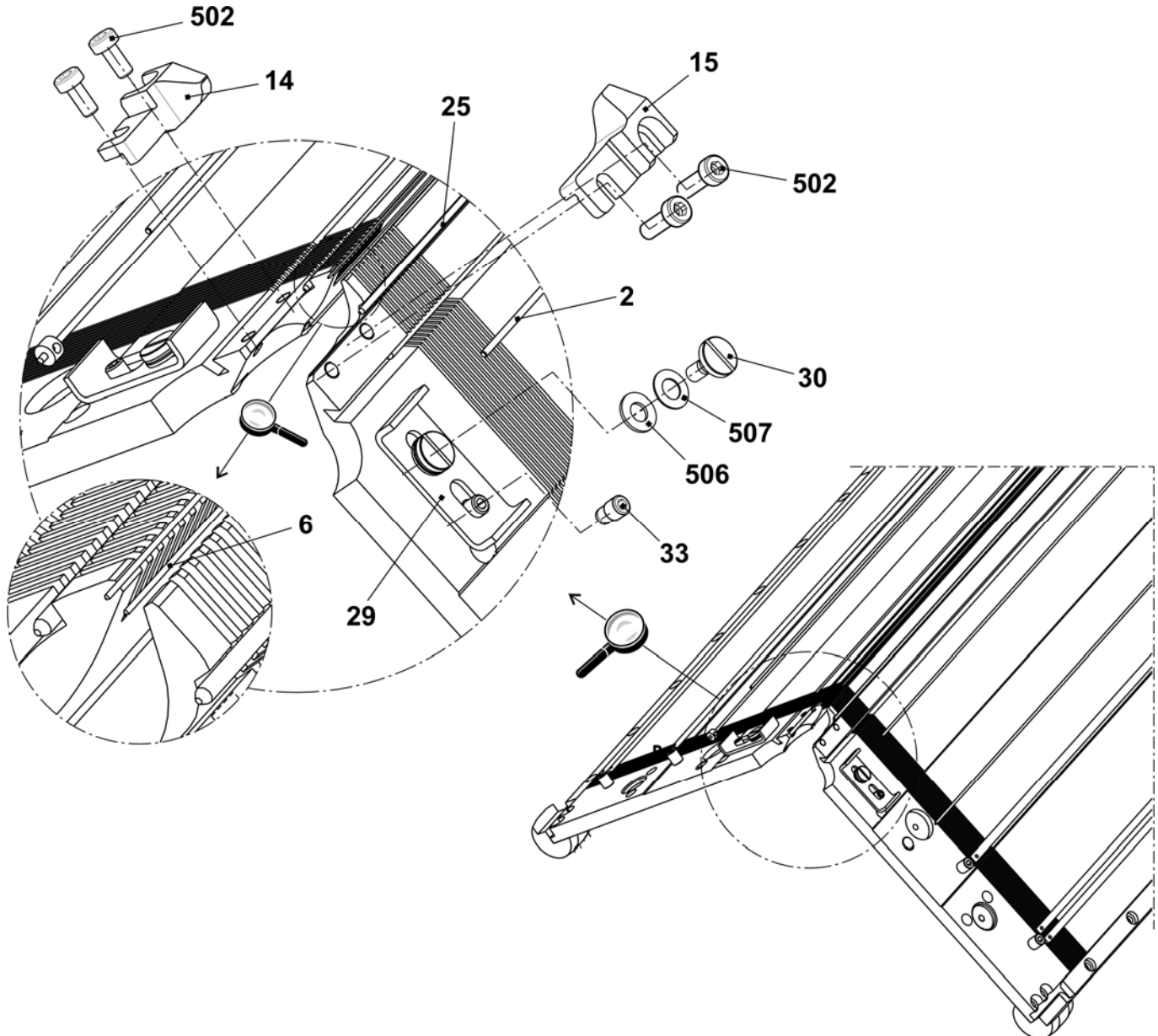
Needle bed E7.2(14)

Pos	Designation	Ident no.	Pos	Designation	Ident no.
Σ	Needle bed co.at the front and rear E14	238 657	19	Cover rail at the front E14	219 686
1	Needle bed at the front + rear E14	234 815	20	Cover rail	218 728
3	Main trick wall E14	231 772	21	Cover rail	218 729
4	Pressure slide	218 673	22	Support	206 352
5	Pressure slide at the rear	234 943	23	Bush	206 090
7	Spring steel wire ø2.0 mm	218 676	24	Stop screw	214 039
8a	Needle E14	209 614	500	Cap screw M6X14	022 658
8b	Coupling part E14	209 633	501	Cap screw M5x8	023 379
9	Intermediate slider with brake E14	237 373	504	Set screw M3.5x3	020 512
10	Selection jack with spring E14	224 725	40*	Disk brush	235 612
11	Additional bed complete E14	234 835	42*	Disk brush	202 600
12	Knock-over bit E14	219 365	43*	Adjusting bolt	240 765
13	Holding-down jack trick wall E14	227 575	540*	Cap screw M5x12	020 032
18	Cover rail at the rear	218 725	541*	Adjusting washer P6x0.3	023 540



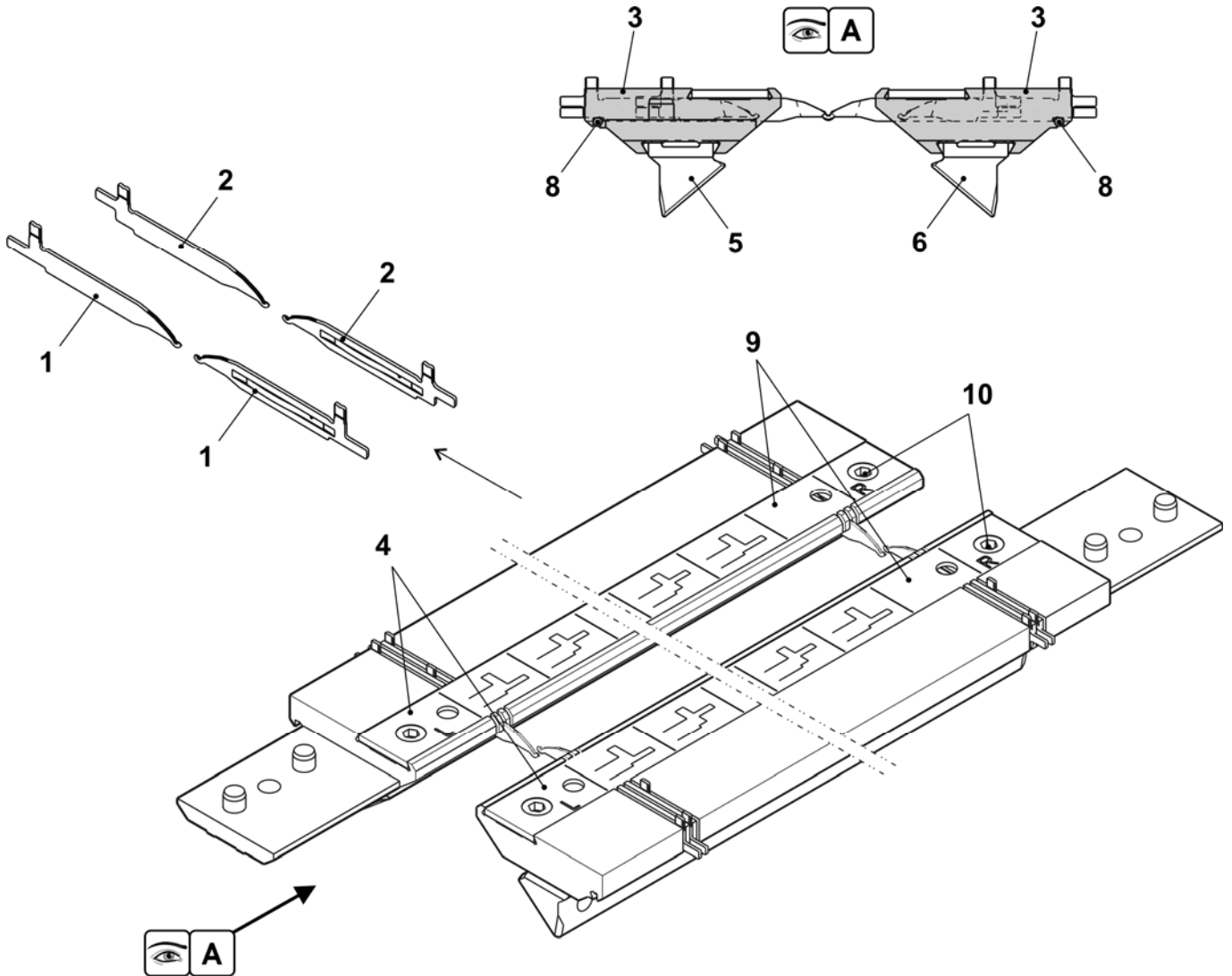
Continuation needle bed E7.2(14)

Pos	Designation	ID	Pos	Designation	ID
2	Fixed wire $\varnothing 3.4$ mm	218 674	30	Shoulder screw	219 958
6	Spring steel wire $\varnothing 0.6$ mm	218 675	33	Eccentric	231 069
14	Limiters on the right E10-14	225 083	502	Cap screw M5x10	022 918
15	Limiters on the left E10-14	225 084	506	Adjusting washer 6x12x1	023 444
25	Spring steel wire $\varnothing 1.95$ mm	218 731	507	Spring washer B6-FST	023 493
29	Safety plate	219 955			



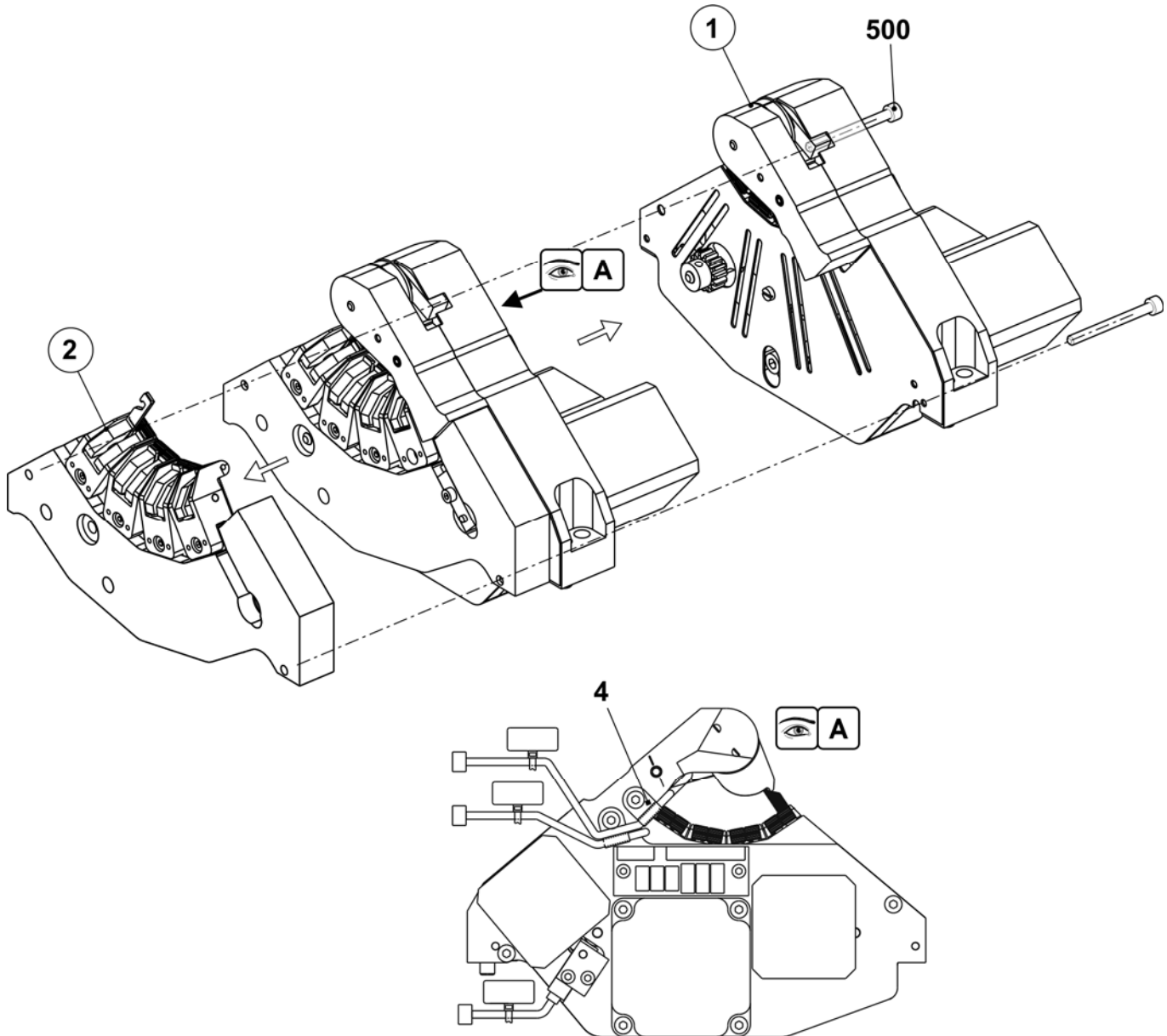
Additional bed E7.2(14)

Pos	Designation	Ident no.	Pos	Designation	Ident no.
Σ	Additional bed complete E14	234 835	5	Needle rail on the left	235 892
1	Transfer cam selection bottom E12-14	230 234	6	Needle rail on the right	235 896
2	Transfer cam selection top E12-14	230 233	8	Spring steel wire Ø2.0	218 676
3	Additional bed at the front and rear E14+7.2	234 832	9	Cover rail at the right	235 558
4	Cover rail at the left	234 946	10	Srew M5x6	235 871



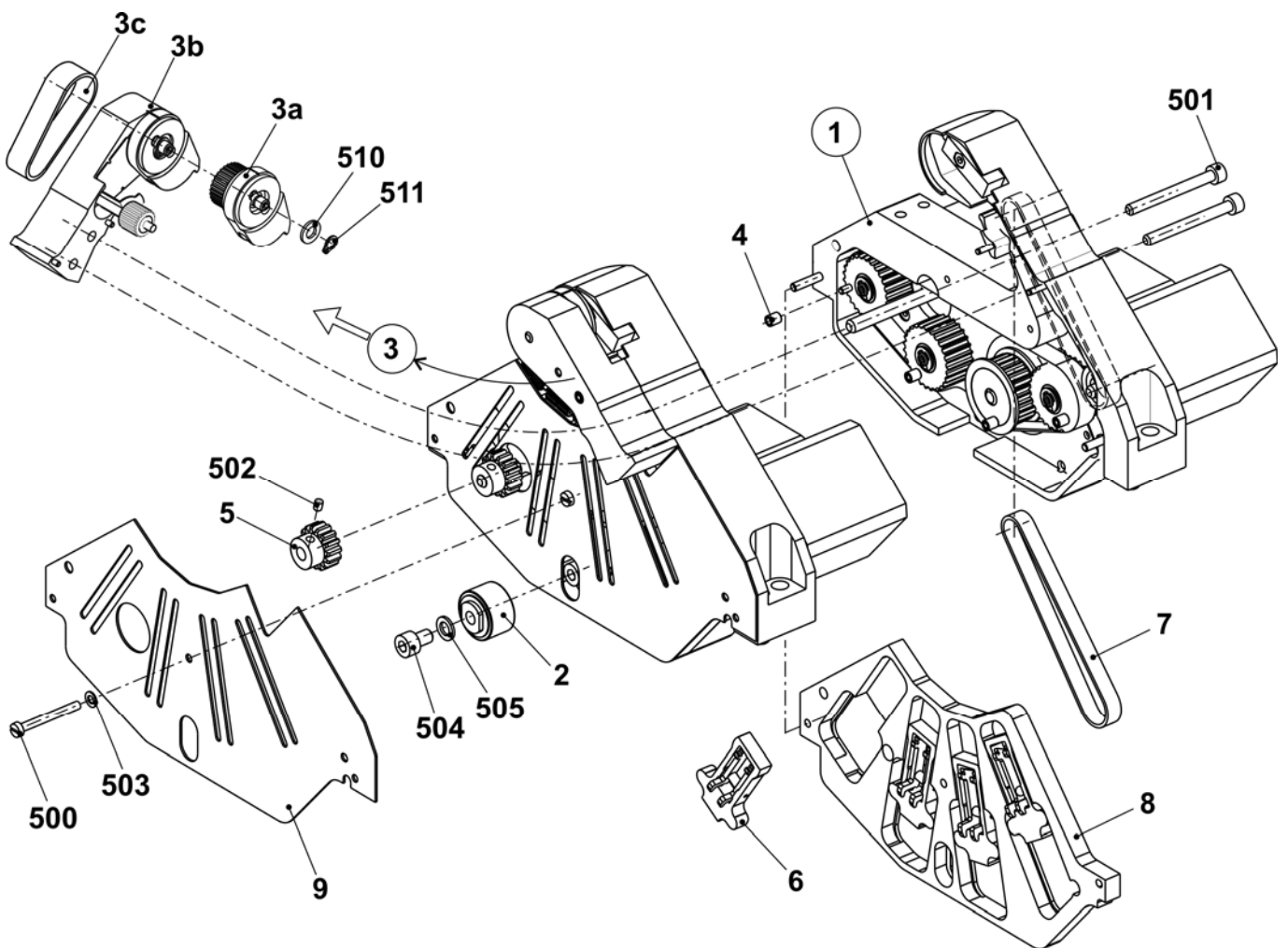
Clamping/cutting unit

Pos	Designation	Ident no.	Pos	Designation	Ident no.
Σ	Clamping/cutting complete	214 257			
1	Crankcase complete	214 188	4	Cable clip 225/3.2	008 321
2	Selection housing complete	214 256	500	Cap screw M4x45	023 419



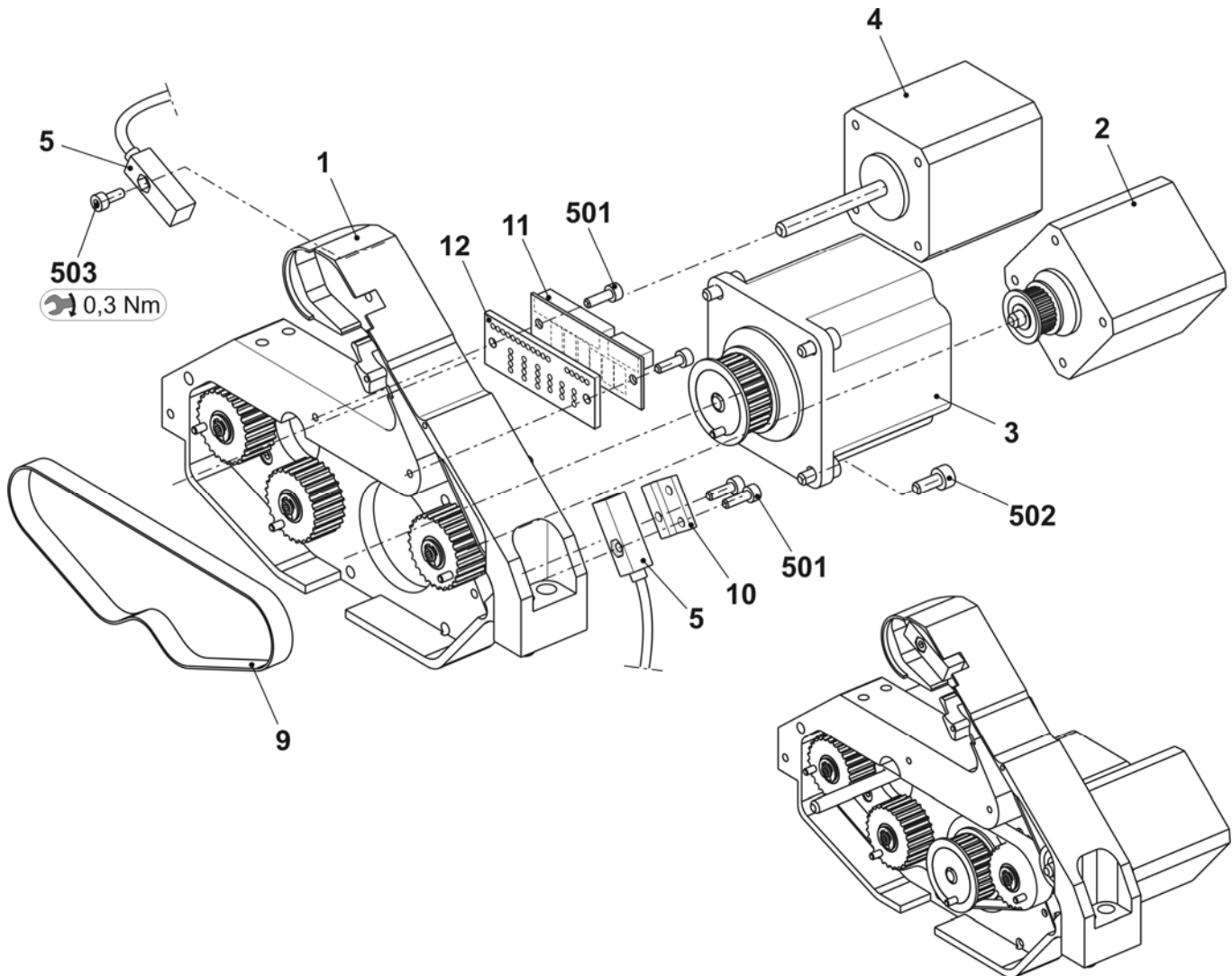
Crankcase

Pos	Designation	Ident no.	Pos	Designation	Ident no.
Σ	Crankcase complete	214 188			
1	Crankcase	215 078	6	Connecting rod slide complete	214 191
2	Tension roller complete	221 211	7	Toothed belt 6M182	213 890
3	Finger support complete	235 501	8	Guide plate	214 185
	3a Transport segment complete	235 500	9	Intermediate plate	214 704
	3b Finger support	234 993	500	Cap screw M3x28	022 350
	3c Toothed belt 6M111	213 889	501	Cap screw M4x40	023 095
	510 U-washer A5.3	020 871	502	Grub screw M3x4-45H	022 674
	511 Locking ring 5x0.6	023 347	503	U-washer 3.2	020 877
4	Sleeve	214 240	504	Cap screw M5x8	023 319
5	Spur gear	213 893	505	U-washer 5.3	020 880



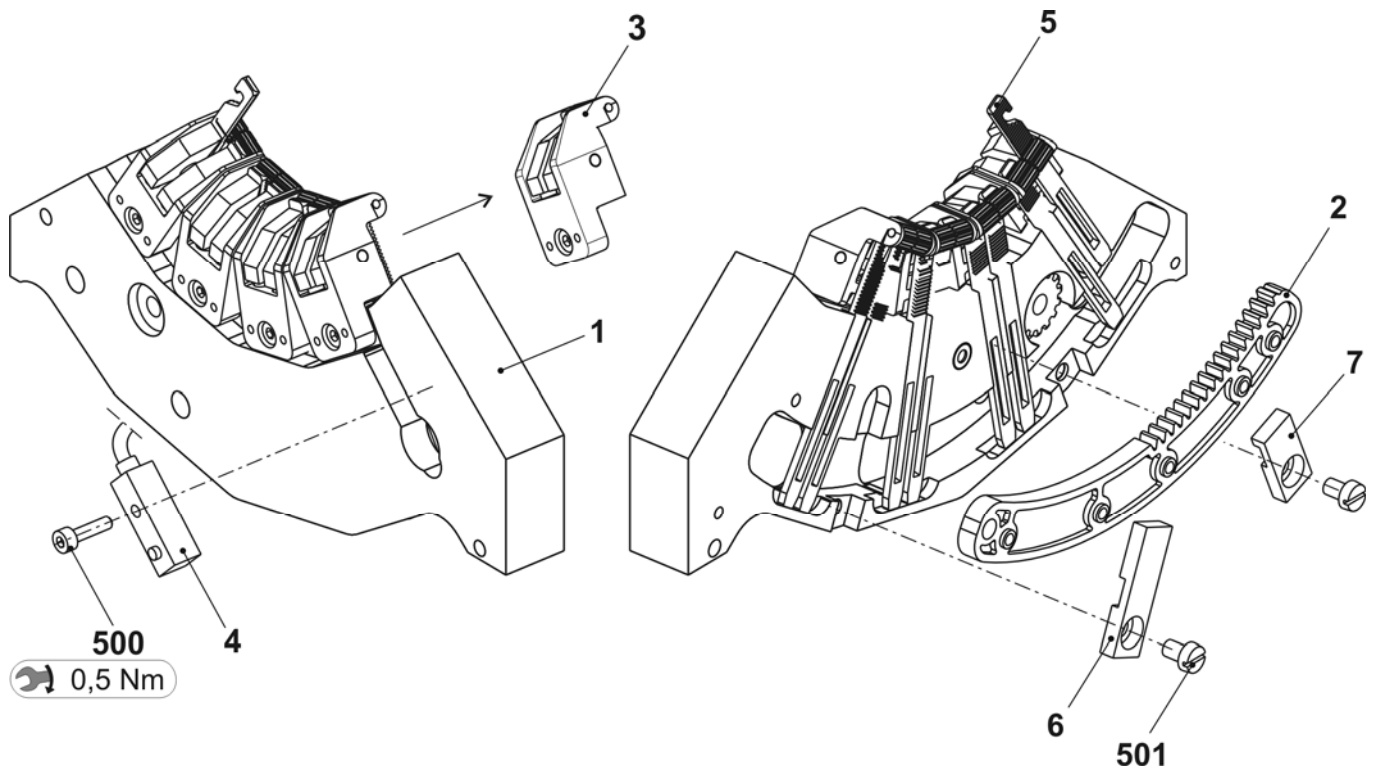
Crankcase with drive

Pos	Designation	Ident no.	Pos	Designation	Ident no.
Σ	Crankcase	215 078			
1	Crankcase	214 182	10	Sensor switch	213 721
2	Transport segment motor complete	213 815	11	Connector board	222 822
3	Step motor complete	213 819	12	Insulating plate	222 933
4	Step motor PK245	213 732	501	Cap screw M3x10	022 991
5	Proximity switch inductive	222 821	502	Cap screw M4x10	023 136
9	Toothed belt 80S3M300NG	213 891	503	Cap screw M3x8	022 582

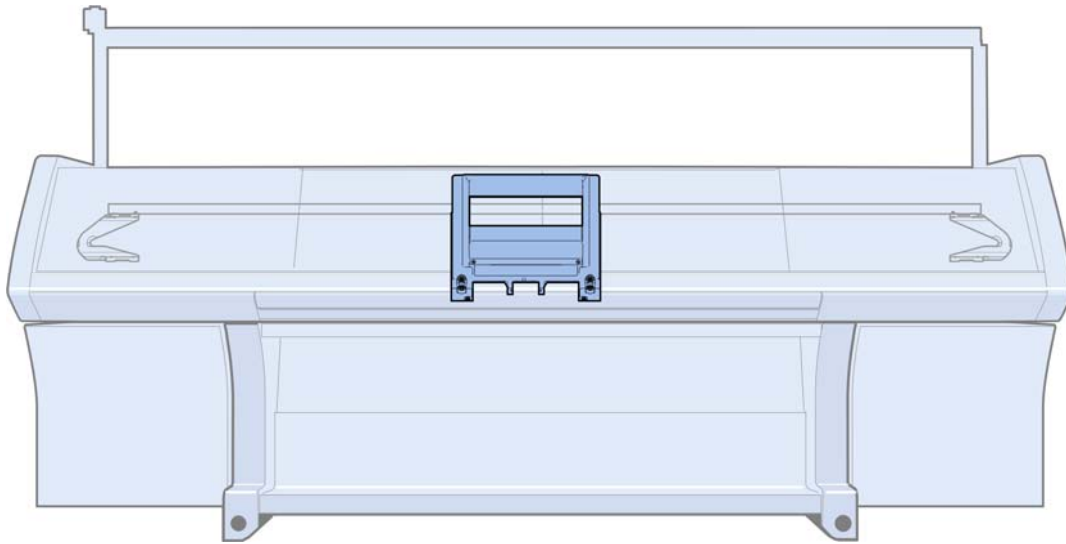


Selection housing

Pos	Designation	Ident no.	Pos	Designation	Ident no.
Σ	Selection housing complete	214 256			
1	Selection housing	214 288	6	Bridge on the left	224 698
2	Selection slide	227 073	7	Bridge on the right	224 701
3	Blade holder complete	251 720	500	Cap screw M3x12	022 648
4	Approximate switch inductive	222 821	501	Cap screw M4x6	020 019
5	Clamping/cutting needle	216 408			

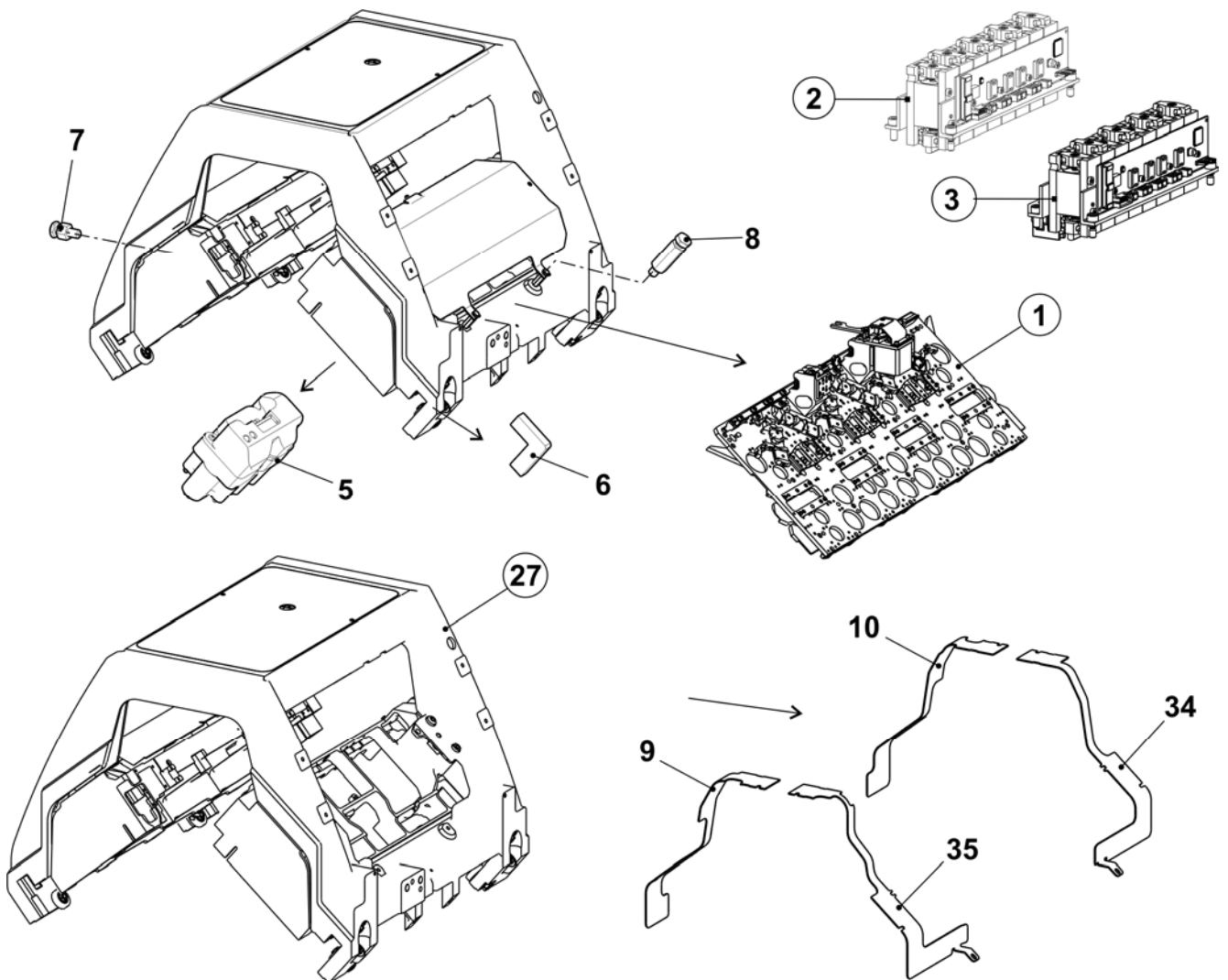


Carriage



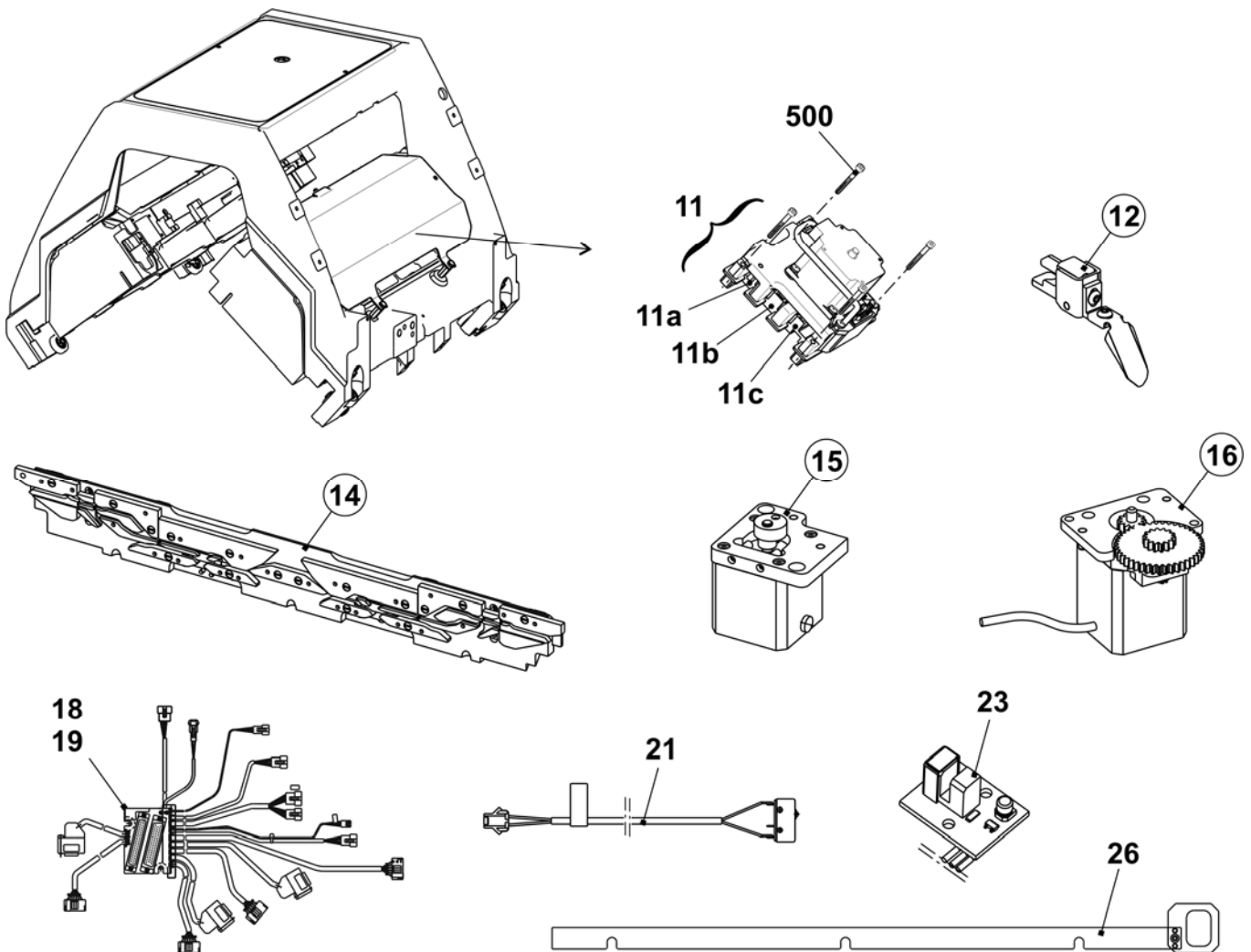
Overview of carriage

Pos	Designation	Ident no.	Pos	Designation	Ident no.
Σ	Carriage 3 cam boxes complete		3	YC driving in the middle complete	241 081
	E6.2	243 414	5	Selection system complete E10-12 (+E6.2)	216 219
	E7.2	243 415		Selection system complete E14 (+E7.2)	229 300
	E12	245 272	6	Wiper (felt)	241 411
	E14	244 020	7	Bolt	212 392
1	Cam box		8	Bolt	243 171
	Cam box complete E6.2	243 419	9	Cover plate on the right	250 275
	Cam box at the front complete E7.2	243 420	10	Cover plate on the left	250 274
	Cam box at the front complete E12	244 639	27	Carriage assembly 3 cam boxes complete	243 421
	Cam box at the rear complete E12	244 640	34	Guide plate at the rear on the left	245 323
	Cam box complete E14	244 022	35	Guide plate at the rear on the right	245 324
2	YC driving outside complete	241 080			



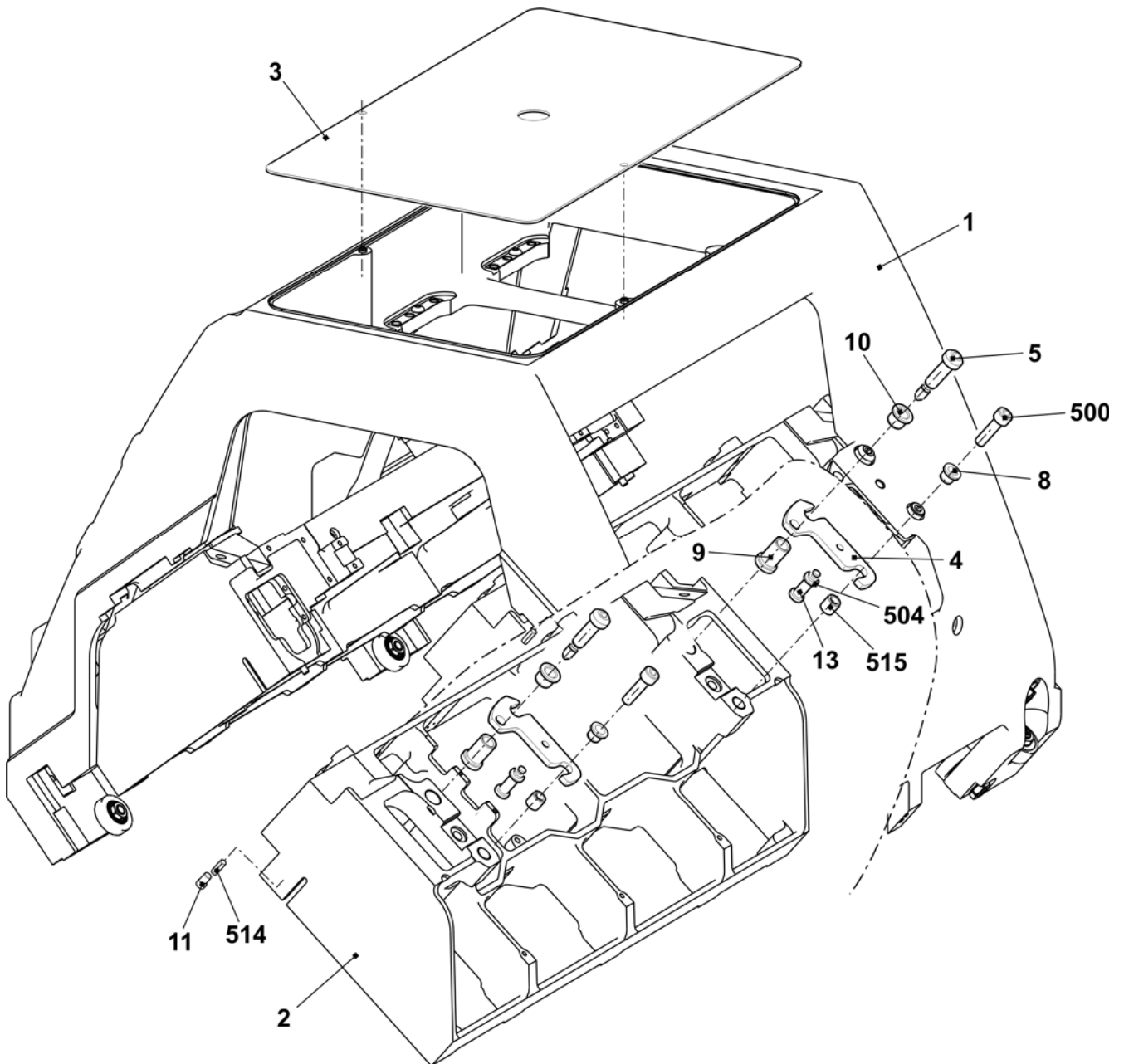
Overview of carriage, continuation

Pos	Designation	Ident no.	Pos	Designation	Ident no.
Σ	Carriage 3 cam boxes complete		14	Additional cam box complete E6.2	239 198
	E6.2	243 414		Additional cam box complete E7.2	238 144
	E7.2	243 415		Additional cam box complete E10-14	224 857
	E12	245 272	15	Control unit brush	224 631
	E14	244 020		Control unit Holding-down jack	223 380
11	Motor unit complete		18	Distributor at the front 730T okc	243 276
	11a	Gear rack at the top	19	Distributor at the rear 730T okc	243 275
	11b	Gear rack in the middle	21	Cable of needle detector complete	224 655
	11c	Gear rack at the bottom	23	Card photoelectric sensor NP	225 087
12	Needle detector complete		26	Sliding rod complete	225 753
			500	Screw M4x30	023 290



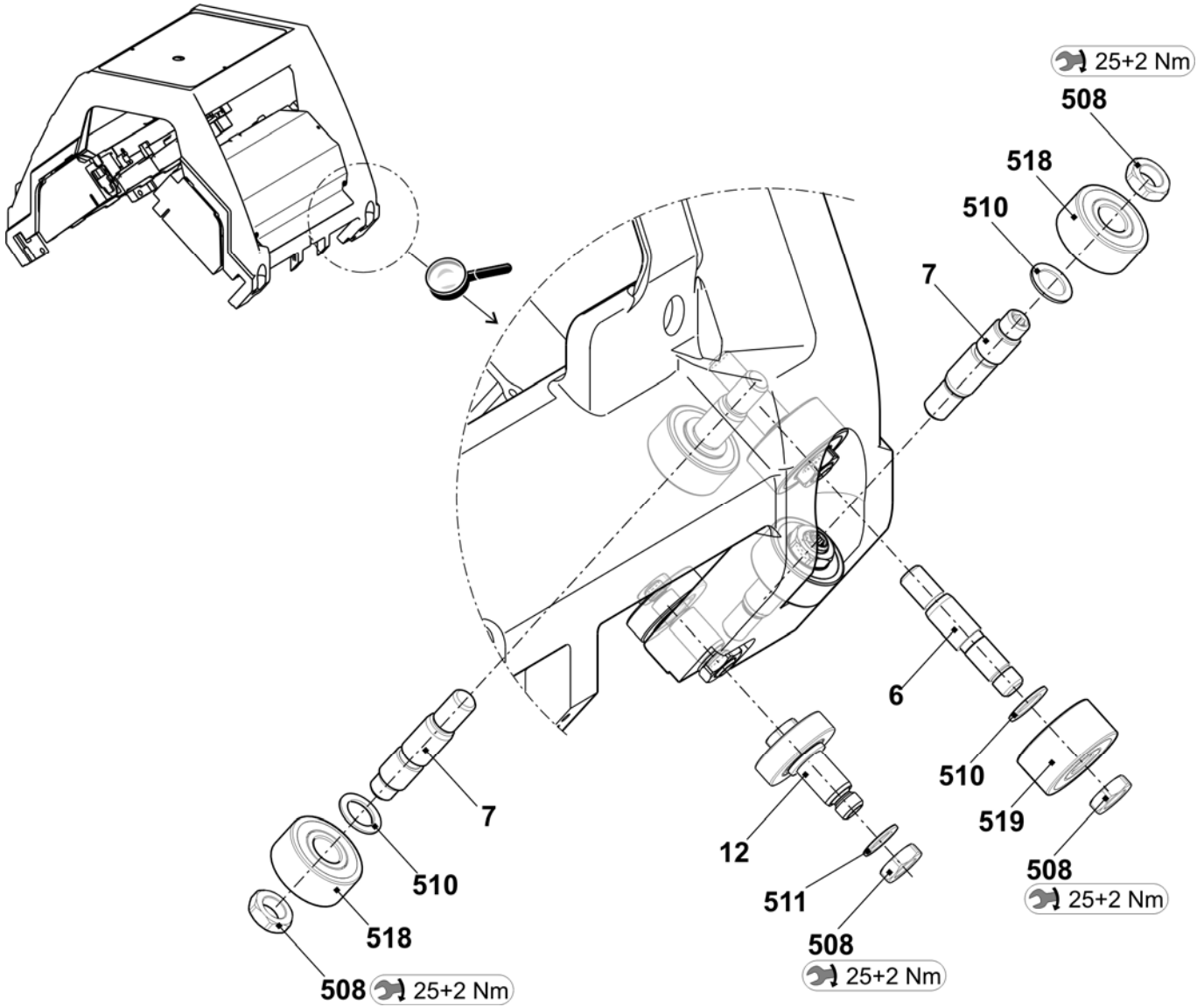
Carriage assembly

Pos	Designation	Ident no.	Pos	Designation	Ident no.
Σ	Carriage assembly 3 cam boxes co.	243 421			
1	Carriage frame, 3 cam boxes	251 352	10	Bush	209 274
2	Carriage part, 3 cam boxes	242 334	11	Eccentric	222 983
3	Carriage cover at the top, 3 cam boxes	251 194	13	Fixing bolt linking spot	244 179
4	Shim	225 312	500	Cap screw M8X30	020 143
5	Shoulder screw	211 750	504	Shoulder screw M6x22x5	023 478
8	Bush	207 546	514	Setting pin 5x14	020 670
9	Bush	209 275	515	Threaded bushing	041 863



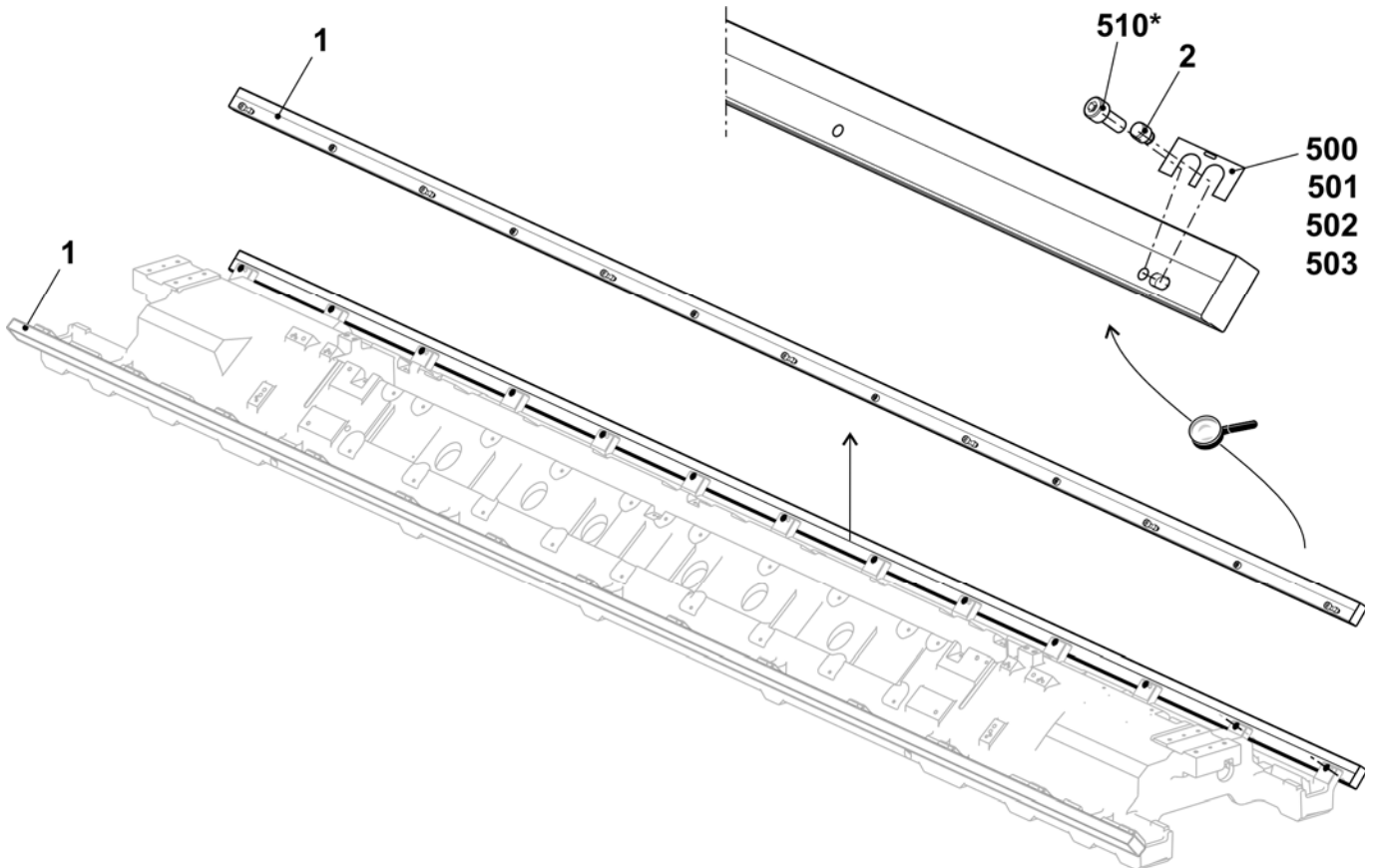
Carriage guide

Pos	Designation	Ident no.	Pos	Designation	Ident no.
6	Bearing bolt eccentric 0.5	242 060	510	Shim ring 12x18x1	023 315
7	Bearing bolt eccentric 0.5	240 624	511	Adjusting washer 10x16x1	023 260
12	Bolt pre-assembled	244 283	518	Ball bearing 62201-2RS	241 408
508	Nut M10	023 316	519	Ball bearing 62300-2RS1	242 070



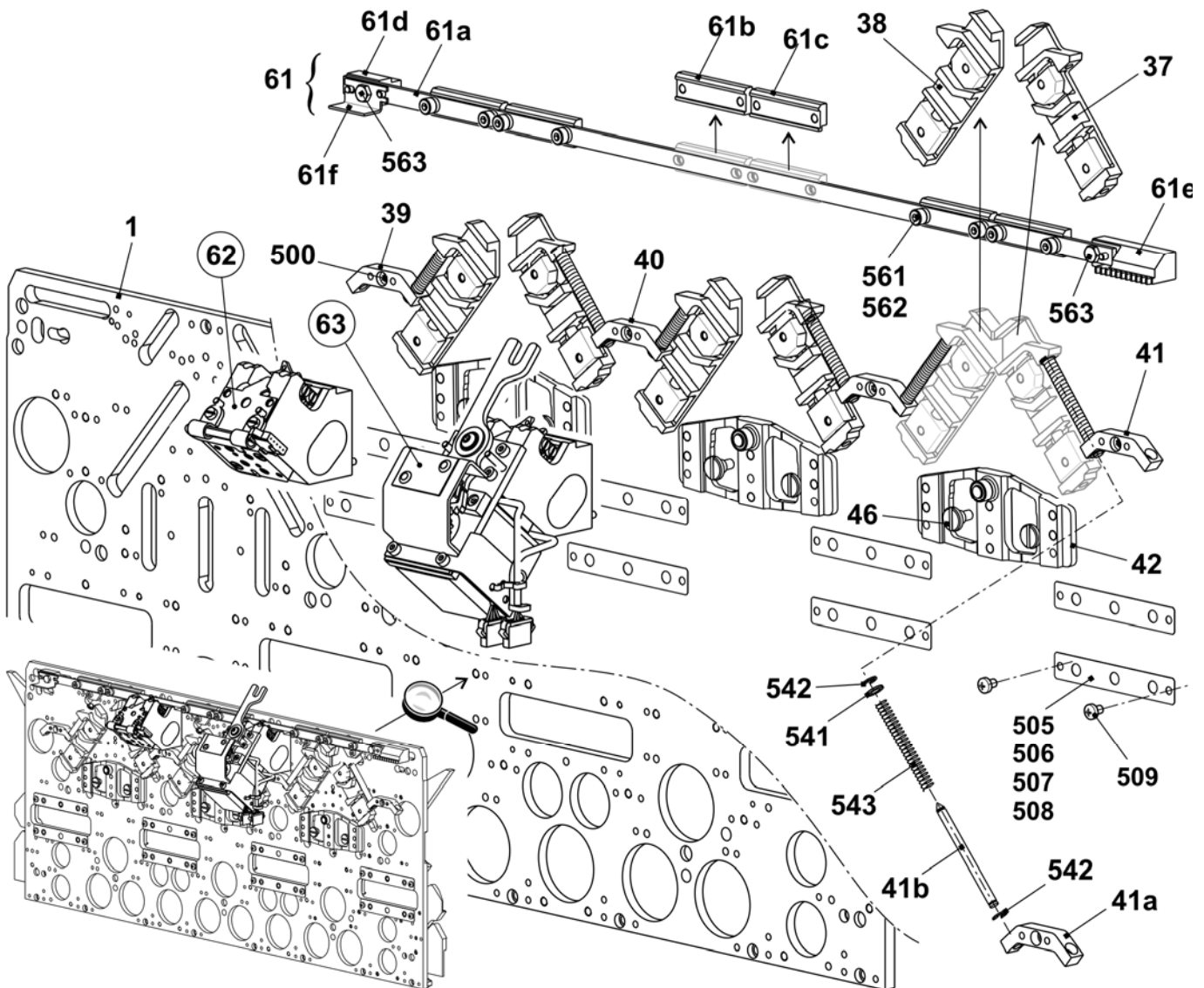
Spare parts package carriage guide bar

Pos	Designation	Ident no.	Pos	Designation	Ident no.
Σ	Spare parts package carriage guide bar 72"	252 992	501	Shim 0.05x22x42	243 291
1	Carriage guide bar	241 308	502	Shim 0.10x22x42	243 292
2	Adjusting eccentric	241 219	503	Shim 0.20x22x42	243 293
500	Shim 0.03x22x42	243 289	510*	Cap screw M8X20	020 141



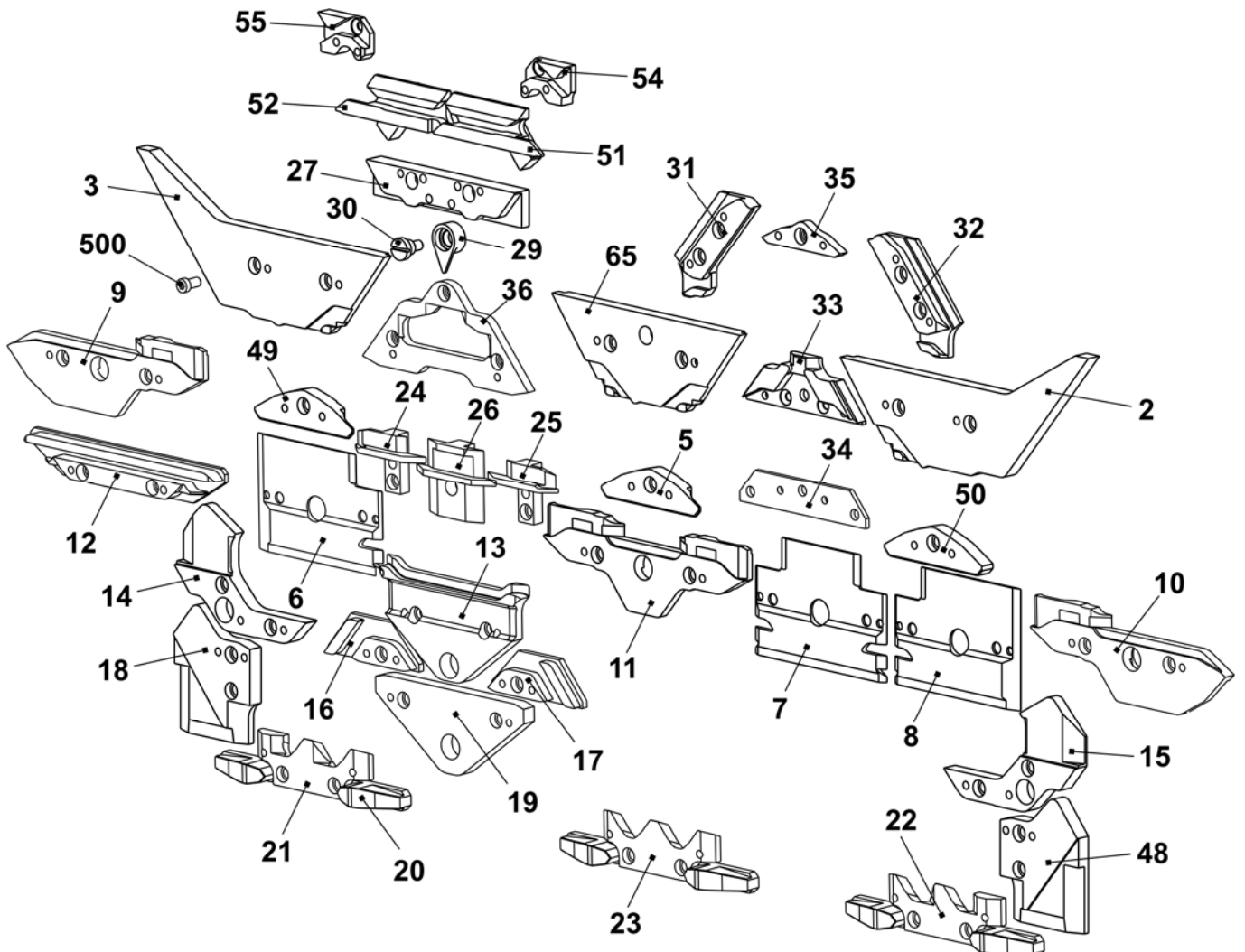
Cam parts E6.2 (Top side)

Pos	Designation	Ident no.	Pos	Designation	Ident no.
Σ	Cam box complete E6.2	243 419	61	Control slide complete	219 998
1	Cam plate	242 337	61a	Control slide	219 914
37	Stitch forming cam on the right co. E12-14	219 994	61b	Control part on the left	228 825
38	Stitch forming cam on the left co. E12-14	219 993	61c	Control part on the right	228 826
39	Rod guide element on the left	211 165	61d	Guiding part on the left E5-14	219 650
40	Rod guide element in the middle	211 166	61e	Guiding part on the right	222 857
41	Rod guide element on the right	211 168	61f	Switch strip	225 115
41a	Rod guidance part	209 792	561	Cap screw M4x8	022 501
41b	Spring rod	209 791	562	U-washer 4.3x7x2.0	023 597
541	Disc 4.3x7x0.5	022 153	563	Hexagonal nut M4x8	022 461
542	Circlip 3.2	021 019	62	Supporting block on the left complete	219 995
543	Spring	023 344	63	Control unit complete	227 285
42	Switching piece	240 281	505	Shim 0.03x12x75	022 828
46	Shoulder screw	239 626	506	Shim 0.05x12x75	022 829
509	Countersunk screw M3x4	023 142	507	Shim 0.1x12x75	022 830
			508	Shim 0.2x12x75	022 831



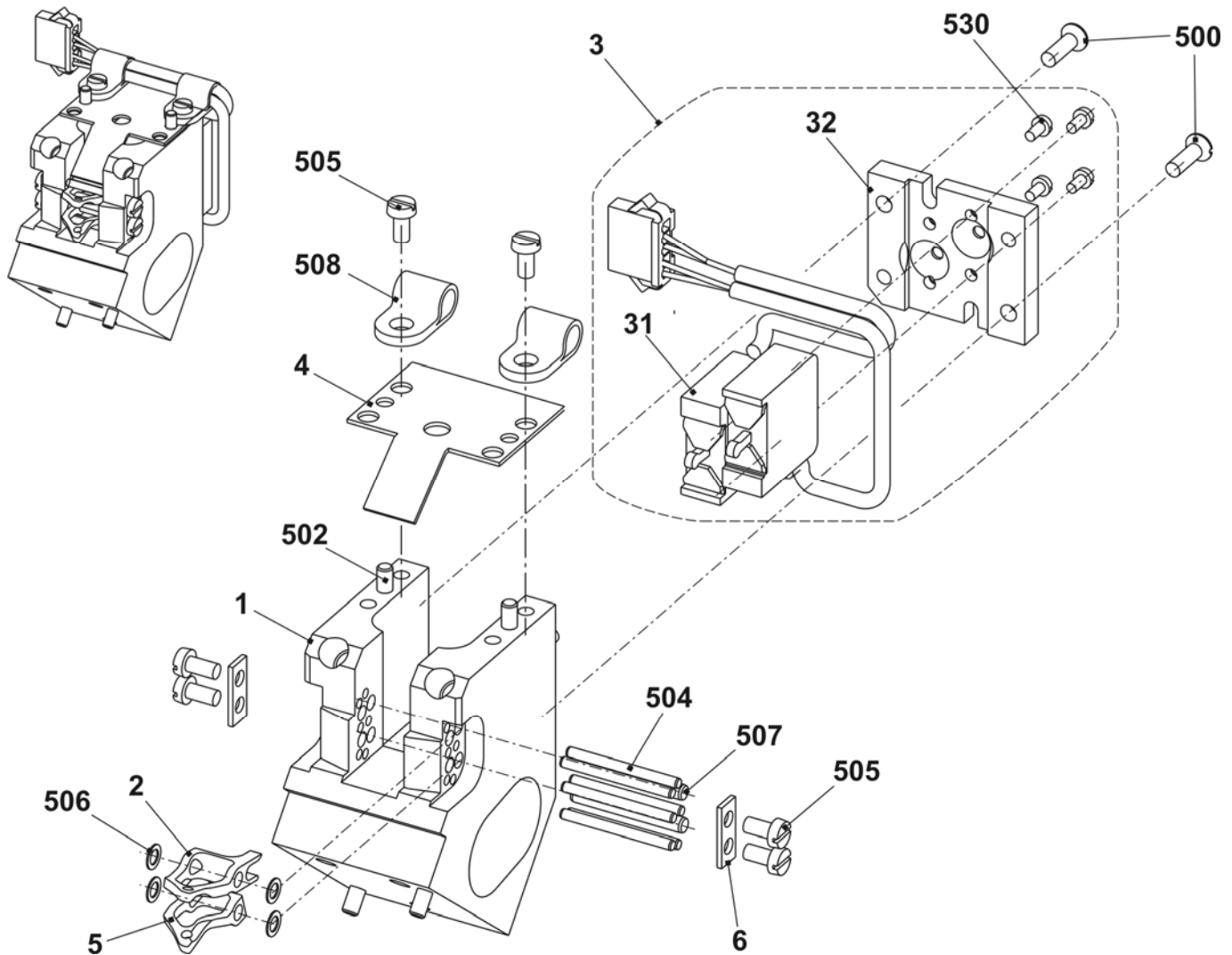
Cam parts E6.2 (Bottom side)

Pos	Designation	Ident no.	Pos	Designation	Ident no.
Σ	Cam box complete E6.2	243 419	24	Pressure part take-over on the left	239 848
2	Entry cam on the left E6.2+7.2	238 141	25	Pressure part take-over on the right	239 849
3	Entry cam on the right E6.2+7.2	238 142	26	Tuck pressure part	239 621
5	Entry cam at the bottom E5-8	212 395	27	Limit cam E6.2	236 326
6	Plate on the left	230 988	29	Pointer E10-14	210 349
7	Plate in the middle	231 035	30	Screw	210 335
8	Plate on the right	231 036	31	Stitch cam on the left E6.2	236 392
9	Cam on the left	231 039	32	Stitch cam on the right E6.2	236 393
10	Cam on the right	231 041	33	Tuck limit cam E6.2	236 429
11	Cam in the middle	231 040	34	Raising cam plate E4-12	204 372
12	Cam	227 923	35	Receiving cam E6.2	218 433
13	Cam	210 254	36	Raising cam part without split E6.2	218 434
14	Cam on the left E5-14	212 265		Knitting raising cam with split (Accessories)	222 038
15	Cam on the right E5-14	212 266	48	Cam on the right E5-14	212 275
16	Cam on the left	236 192	49	Entry cam on the left E5-8	213 161
17	Cam on the right	236 193	50	Entry cam on the right E5-8	213 162
18	Cam on the left E5-14	212 274	51	Jack slider at the right	239 083
19	Cam	210 252	52	Jack slider at the left	239 082
20	Offering cam	210 185	54	Floating cam on the right E12-14	238 040
21	Selector cam on the left	212 944	55	Floating cam on the left E12-14	238 039
22	Selector cam on the right	212 947	65	Entry cam in the middle	238 143
23	Selector cam	212 946	500	Cap screw M4x8	020 091



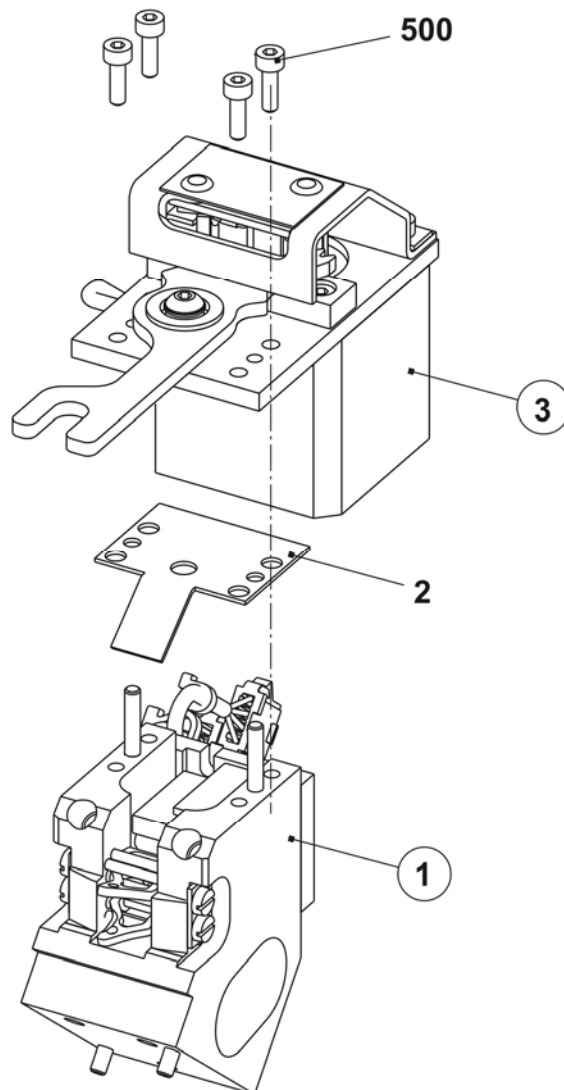
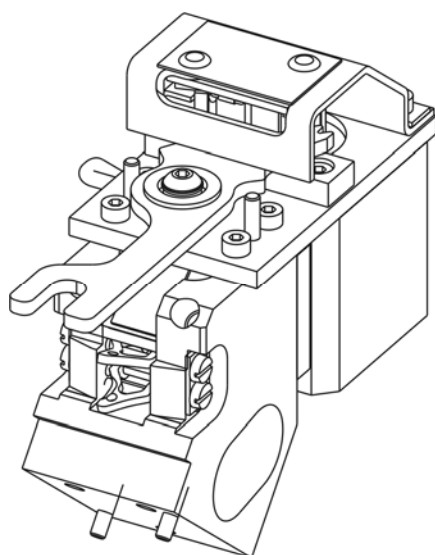
Supporting block on the left complete

Pos	Designation	Ident no.	Pos	Designation	Ident no.
Σ	Supporting block on the left complete	219 995			
1	Supporting block E5-14	219 491	6	Safety plate	224 823
2	Rocker no.1	224 435	500	Countersunk screw M3x10-4.8	020 288
3	Selection complete E5-14	220 020	502	Setting pin 3x12	020 647
	31 Magnet system	220 021	504	Dowel pin 2x24	023 494
	32 Retaining plate tilting magnet 5-14	219 727	505	Cap screw M3x6	020 005
	530 Cap screw M2x4	023 624	506	Disc 3.05x4.9x0.3	023 589
4	Cover plate	223 177	507	Dowel pin 3x24	023 580
5	Rocker no.2	224 436	508	Cable clip 255/5.2	008 335



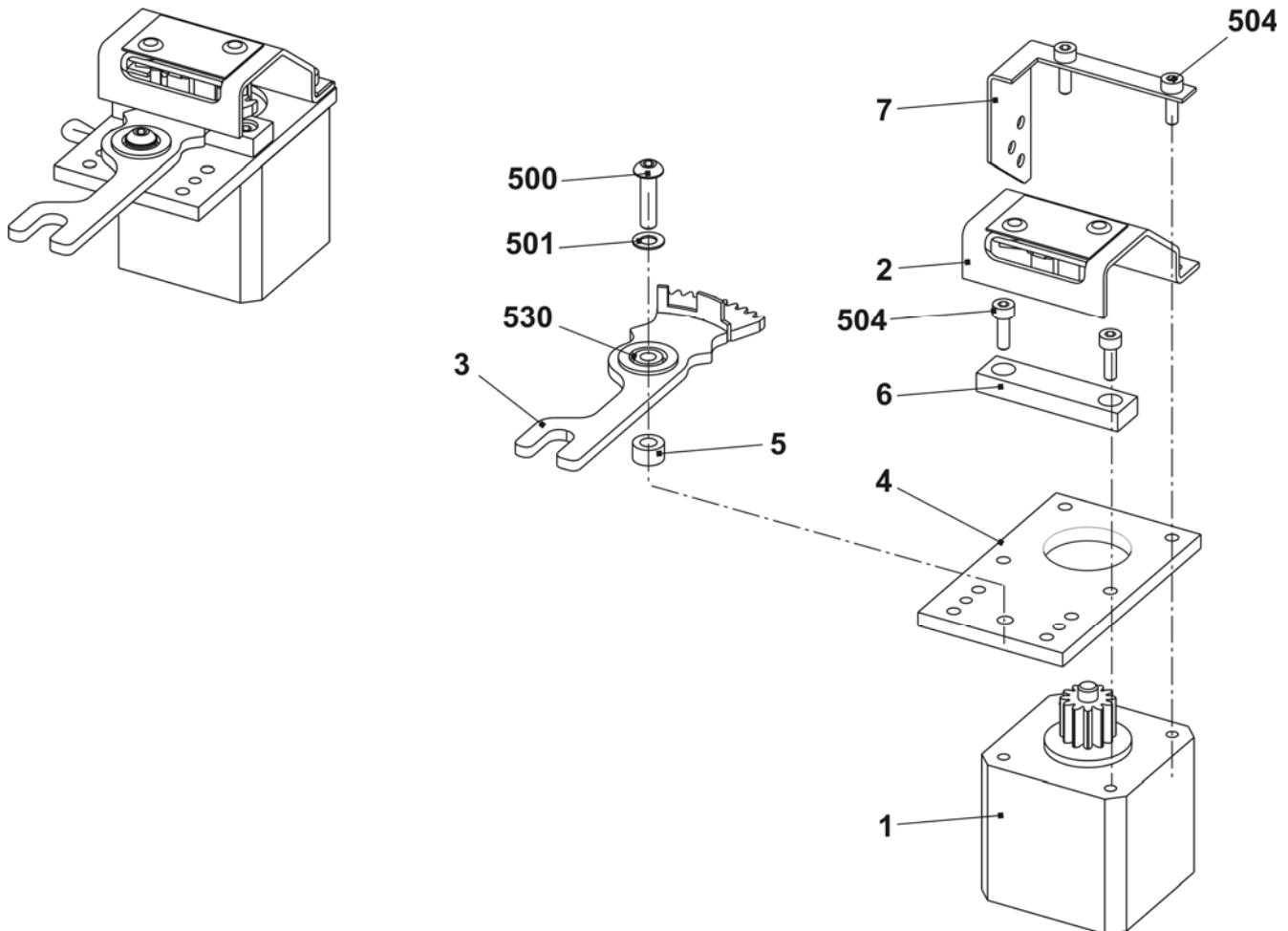
Control unit complete

Pos	Designation	Ident no.	Pos	Designation	Ident no.
Σ	Control unit complete	227 285			
1	Supporting block on the right complete	224 741	3	Control unit complete E5-14	220 066
2	Cover plate	223 177	500	Cap screw M3x10	022 991



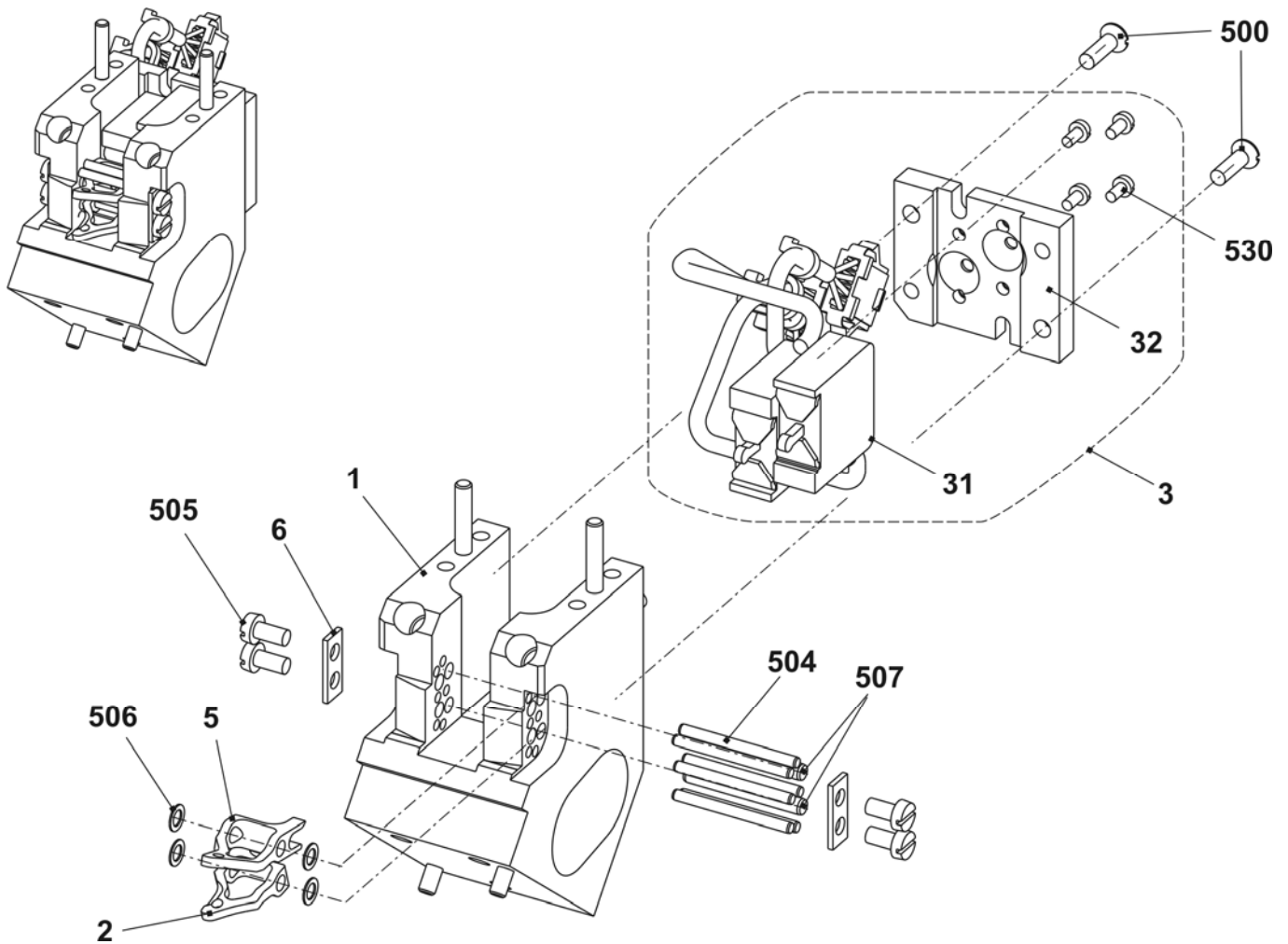
Control unit

Pos	Designation	Ident no.	Pos	Designation	Ident no.
Σ	Control unit complete E5-14	220 066			
1	Step motor complete	218 653	6	Stopping strip	223 226
2	Photoelectric sensor complete	225 080	7	Retaining plate	225 073
3	Pivot lever complete	225 072	500	Countersunk screw M4x16	023 412
	530 Deep groove ball bearing F624-2Z-4x13x5	023 552	501	Circlip 4	020 879
4	Motor plate	219 718	504	Cap screw M3x10	022 991
5	Spacing bush	219 726			



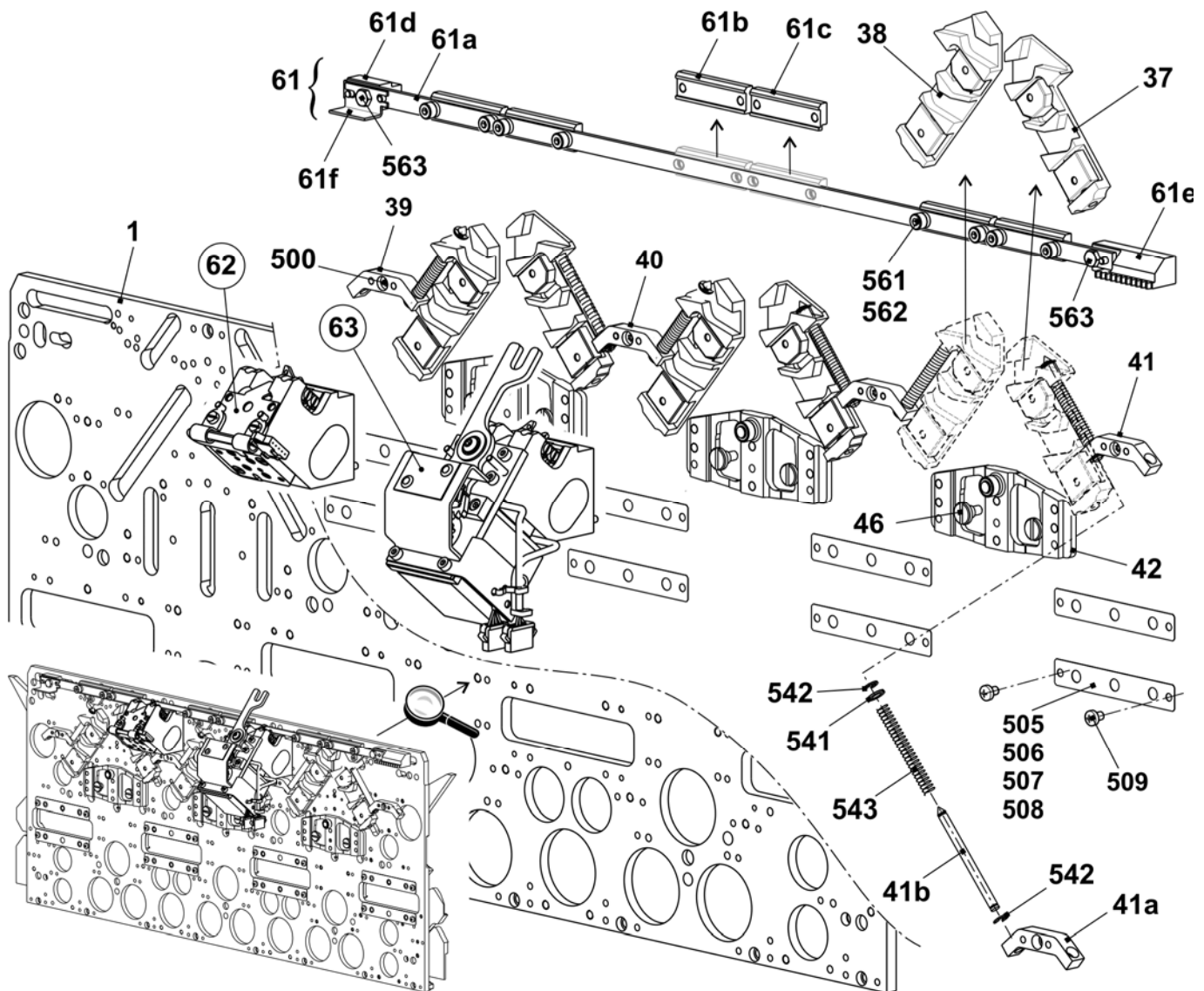
Supporting block on the right complete

Pos	Designation	Ident no.	Pos	Designation	Ident no.
Σ	Supporting block on the right complete	224 741			
1	Supporting block E5-14	219 491	6	Safety plate	224 823
2	Rocker no.1	224 435	500	Countersunk screw M3x10-4.8	020 288
3	Selection complete E5-14	220 020	504	Dowel pin 2x24	023 494
	31	Magnet system	505	Cap screw M3x6	020 005
	32	Retaining plate tilting magnet 5-14	506	Disc 3.05x4.9x0.3	023 589
	530	Cap screw M2x4	507	Dowel pin 3x24	023 580
5	Rocker no.2	224 436			



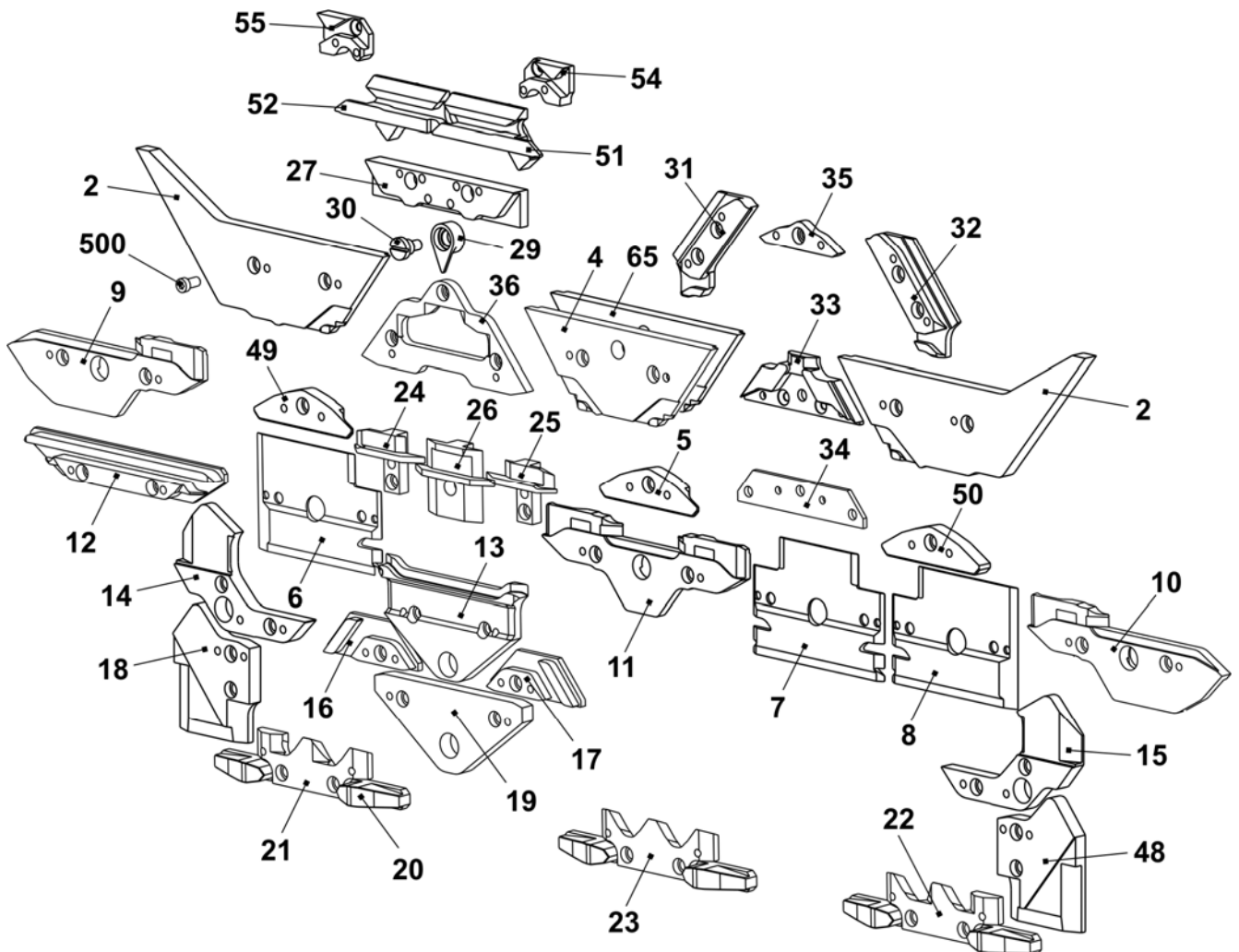
Cam parts E7.2 (Top side)

Pos	Designation	Ident no.	Pos	Designation	Ident no.
Σ	Cam box complete E7.2	243 420	61	Control slide complete	219 998
1	Cam plate	242 337	61a	Control slide	219 914
37	Stitch forming cam on the right co. E12-14	219 994	61b	Control part on the left	228 825
38	Stitch forming cam on the left co. E12-14	219 993	61c	Control part on the right	228 826
39	Rod guide element on the left	211 165	61d	Guiding part on the left E5-14	219 650
40	Rod guide element in the middle	211 166	61e	Guiding part on the right	222 857
41	Rod guide element on the right	211 168	61f	Switch strip	225 115
41a	Rod guidance part	209 792	561	Cap screw M4x8	022 501
41b	Spring rod	209 791	562	U-washer 4.3x7x2.0	023 597
541	Disc 4.3x7x0.5	022 153	563	Hexagonal nut M4x8	022 461
542	Circlip 3.2	021 019	62	Supporting block on the left complete	219 995
543	Spring	023 344	63	Control unit complete	227 285
42	Switching piece	240 281	505	Shim 0.03x12x75	022 828
46	Shoulder screw	239 626	506	Shim 0.05x12x75	022 829
509	Countersunk screw M3x4	023 142	507	Shim 0.1x12x75	022 830
			508	Shim 0.2x12x75	022 831



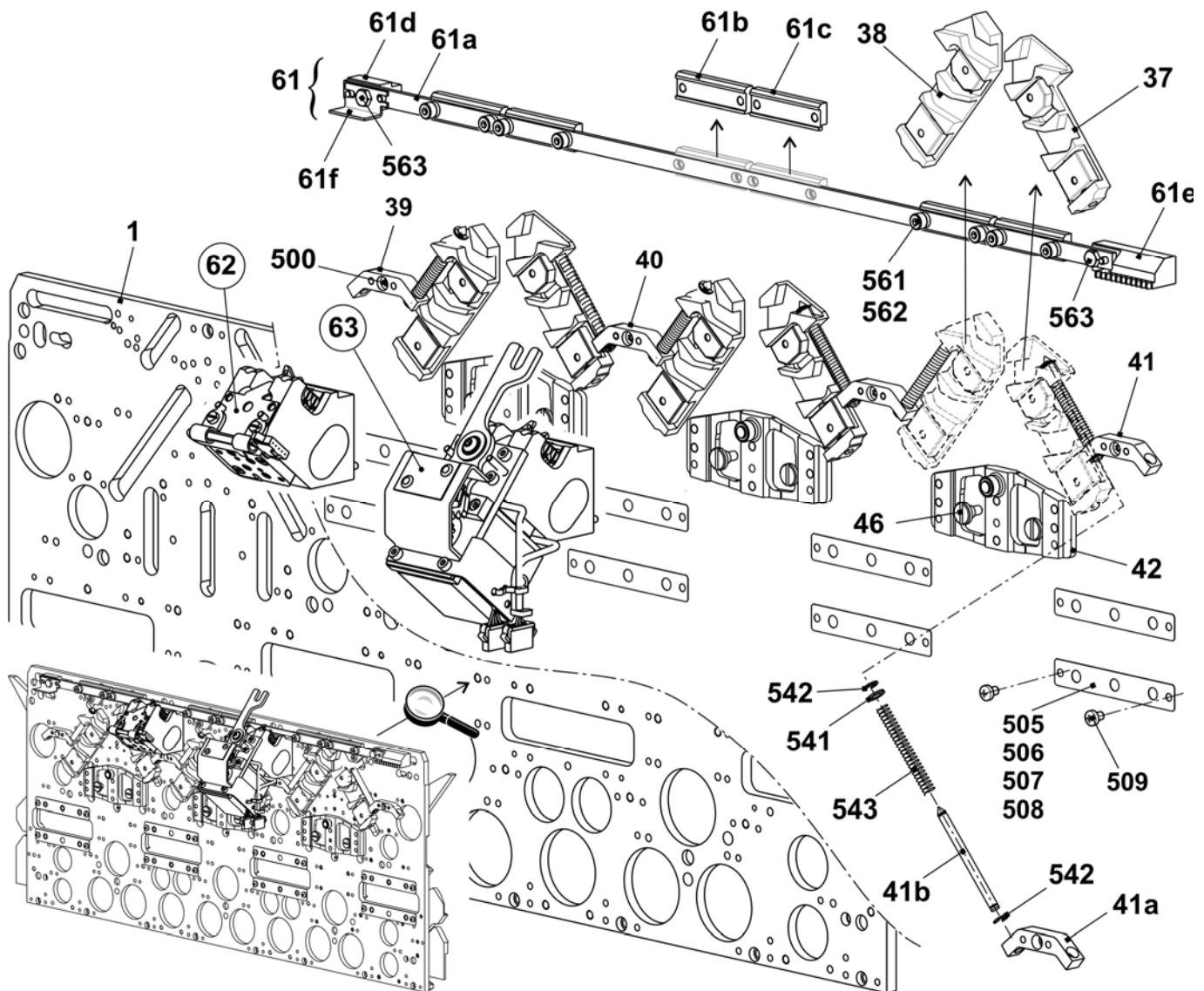
Cam parts E7.2 (Bottom side)

Pos	Designation	Ident no.	Pos	Designation	Ident no.
Σ	Cam box complete E7.2	243 420	24	Pressure part take-over on the left	239 848
2	Entry cam on the left pulling	224 766	25	Pressure part take-over on the right	239 849
3	Entry cam on the right pulling	224 767	26	Tuck pressure part	239 621
4	Entry cam at the top pulling	224 572	27	Limit cam E10	219 931
5	Entry cam at the bottom -1.5 E10-14	216 328	29	Pointer E10-14	210 349
6	Plate on the left	230 988	30	Screw	210 335
7	Plate in the middle	231 035	31	Stitch cam on the left E10-14	236 318
8	Plate on the right	231 036	32	Stitch cam on the right E10-14	236 319
9	Cam on the left	231 039	33	Tuck limit cam E10+7.2	236 345
10	Cam on the right	231 041	34	Raising cam plate E4-12	204 372
11	Cam in the middle	231 040	35	Receiving cam E10-12	210 595
12	Cam	227 923	36	Raising cam part without split E10-12	213 298
13	Cam	210 254		Knitting raising cam with split (Accessories)	222 038
14	Cam on the left E5-14	212 265	48	Cam on the right E5-14	212 275
15	Cam on the right E5-14	212 266	49	Entry cam on the left -1.5 E10-14	216 329
16	Cam on the left	236 192	50	Entry cam on the right -1.5 E10-14	216 330
17	Cam on the right	236 193	51	Jack slider at the right	239 083
18	Cam on the left E5-14	212 274	52	Jack slider at the left	239 082
19	Cam	210 252	54	Floating cam on the right E7.2	235 367
20	Offering cam	210 185	55	Floating cam on the left E7.2	235 3667
21	Selector cam on the left	212 944	65	Entry cam at the top pulling	225 333
22	Selector cam on the right	212 947	500	Cap screw M4x8	020 091
23	Selector cam	212 946			



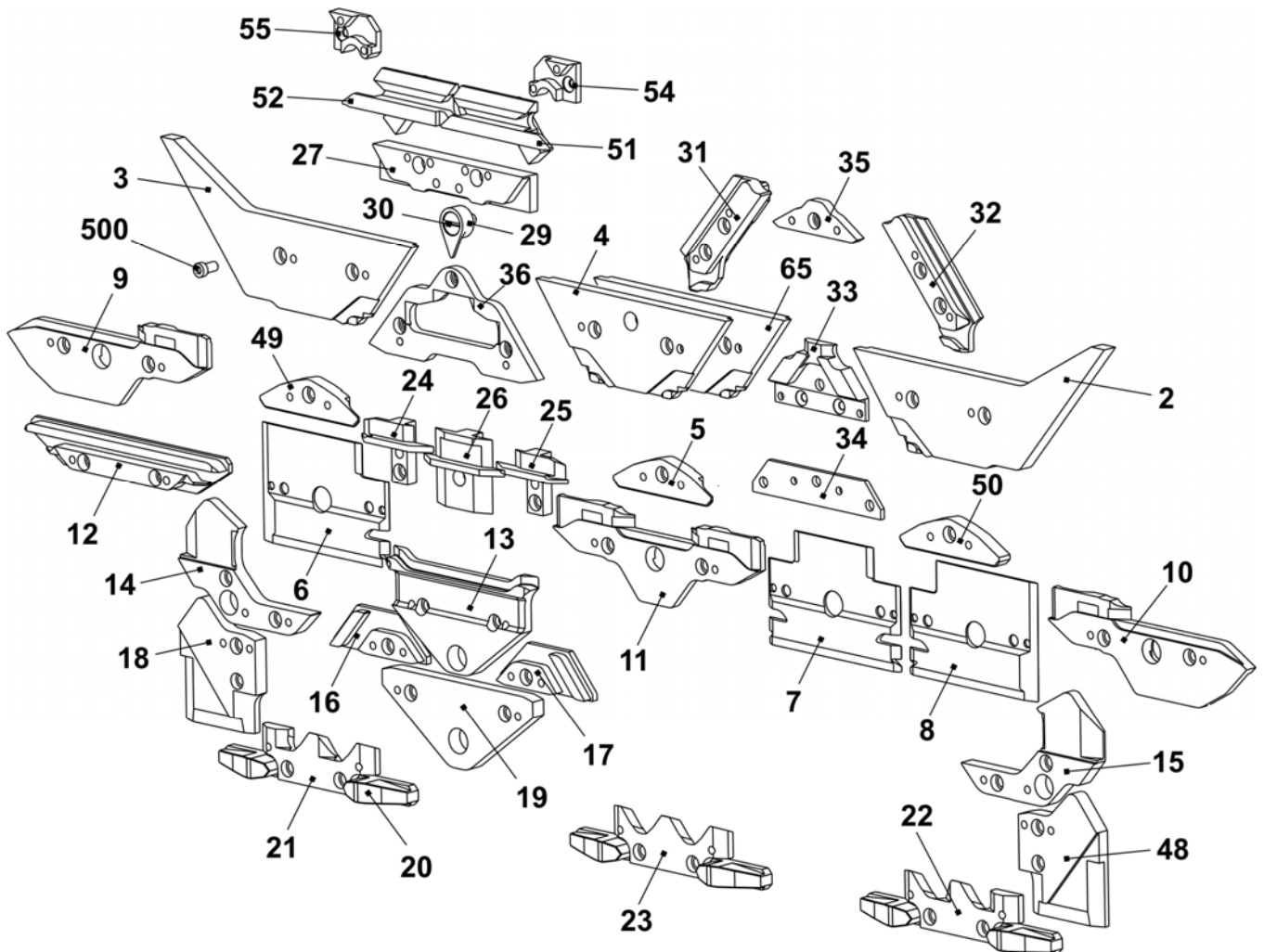
Cam part E6.2(12) (Top side)

Pos	Designation	Ident no.	Pos	Designation	Ident no.
Σ	Cam box at the front complete E12	244 639	61	Control slide complete	219 998
	Cam box at the rear complete E12	244 640	61a	Control slide	219 914
1	Cam plate	242 337	61b	Control part on the left	228 825
37	Stitch forming cam on the right co.E12-14	219 994	61c	Control part on the right	228 826
38	Stitch forming cam on the left co.E12-14	219 993	61d	Guiding part on the left E5-14	219 650
39	Rod guide element on the left	211 165	61e	Guiding part on the right	222 857
40	Rod guide element in the middle	211 166	61f	Switch strip	225 115
41	Rod guide element on the right	211 168	561	Cap screw M4x8	022 501
41a	Rod guidance part	209 792	562	U-washer 4.3x7x2.0	023 597
41b	Spring rod	209 791	563	Hexagonal nut M4x8	022 461
541	Disc 4.3x7x0.5	022 153	62	Supporting block on the left complete	219 995
542	Circlip 3.2	021 019	63	Control unit complete	227 285
543	Spring	023 344	505	Shim 0.03x12x75	022 828
42	Switching piece	240 281	506	Shim 0.05x12x75	022 829
46	Shoulder screw	239 626	507	Shim 0.1x12x75	022 830
509	Countersunk screw M3x4	023 142	508	Shim 0.2x12x75	022 831



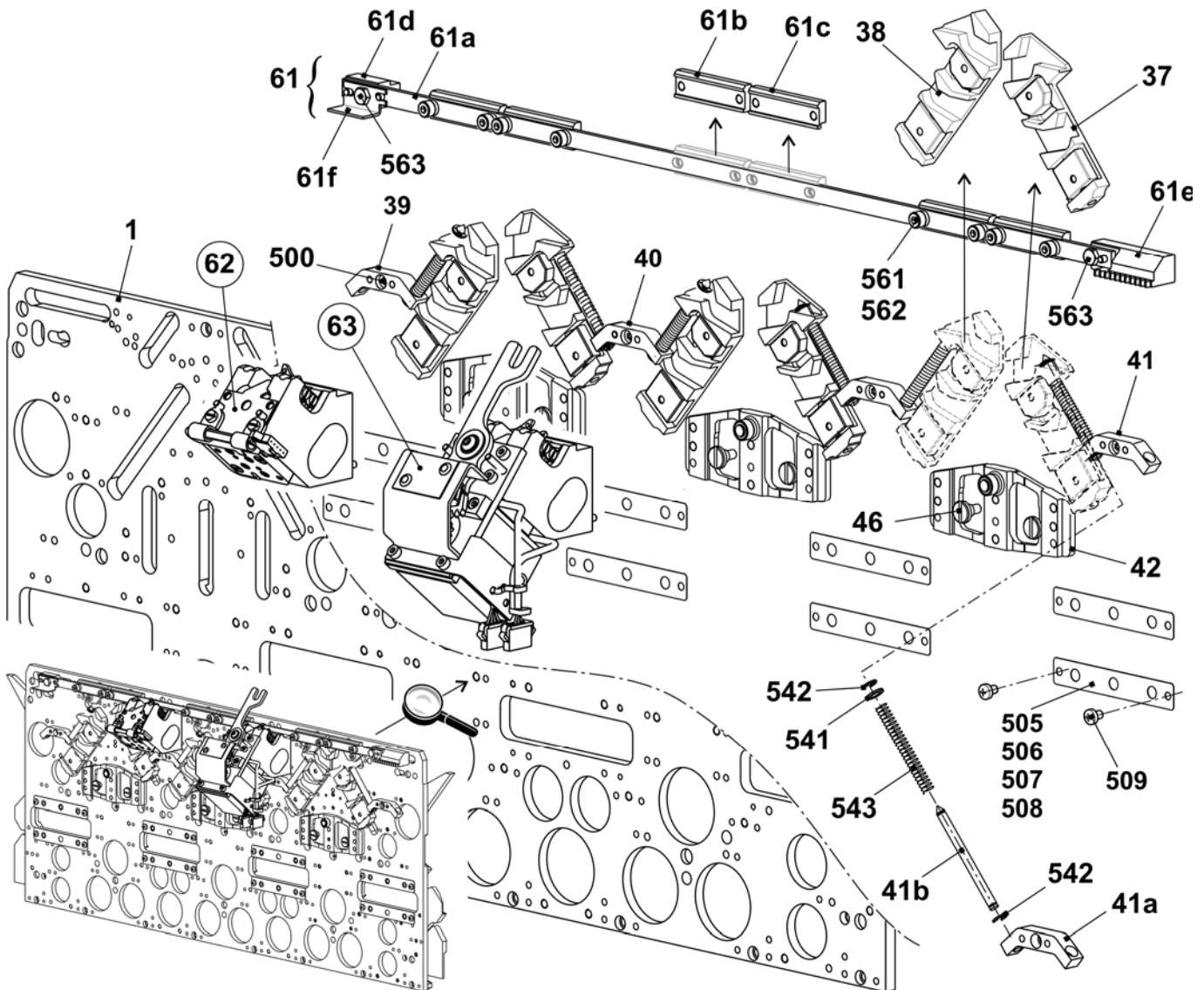
Cam part E6.2(12) (Bottom side)

Pos	Designation	Ident no.	Pos	Designation	Ident no.
Σ	Cam box at the front complete E12	244 639	24	Pressure part take-over on the left	239 848
	Cam box at the rear complete E12	244 640	25	Pressure part take-over on the right	239 849
2	Entry cam on the right pulling	224 767	26	Tuck pressure part	239 621
3	Entry cam on the left pulling	224 766	27	Limit cam E12 – E14	219 937
4	Entry cam at the top pulling	224 572	29	Pointer E10-14	210 349
5	Entry cam at the bottom -1.5 E10-14	216 328	30	Screw	210 335
6	Plate on the left	230 988	31	Stitch cam on the left E10-14	236 318
7	Plate in the middle	231 035	32	Stitch cam on the right E10-14 (front)	236 319
8	Plate on the right	231 036		Stitch cam on the right at the rear R/R E10-14	236 320
9	Cam on the left	231 039	33	Tuck limit cam E12	236 403
10	Cam on the right	231 041	34	Raising cam plate E4-12	204 372
11	Cam in the middle	231 040	35	Receiving cam E6.2	218 433
12	Cam	227 923	36	Raising cam part without split E6.2	218 434
13	Cam	210 254		Knitting raising cam with split (Accessories)	222 038
14	Cam on the left E5-14	212 265	48	Cam on the right E5-14	212 275
15	Cam on the right E5-14	212 266	49	Entry cam on the left -1.5 E10-14	216 329
16	Cam on the left	236 192	50	Entry cam on the right -1.5 E10-14	216 330
17	Cam on the right	236 193	51	Jack slider at the right	242 001
18	Cam on the left E5-14	212 274	52	Jack slider at the left	242 000
19	Cam	210 252	54	Floating cam on the right E12-14	227 278
20	Offering cam	210 185	55	Floating cam on the left E12-14	227 277
21	Selector cam on the left	212 944	65	Entry cam at the top pulling	225 333
22	Selector cam on the right	212 947	500	Cap screw M4x8	020 091
23	Selector cam	212 946			



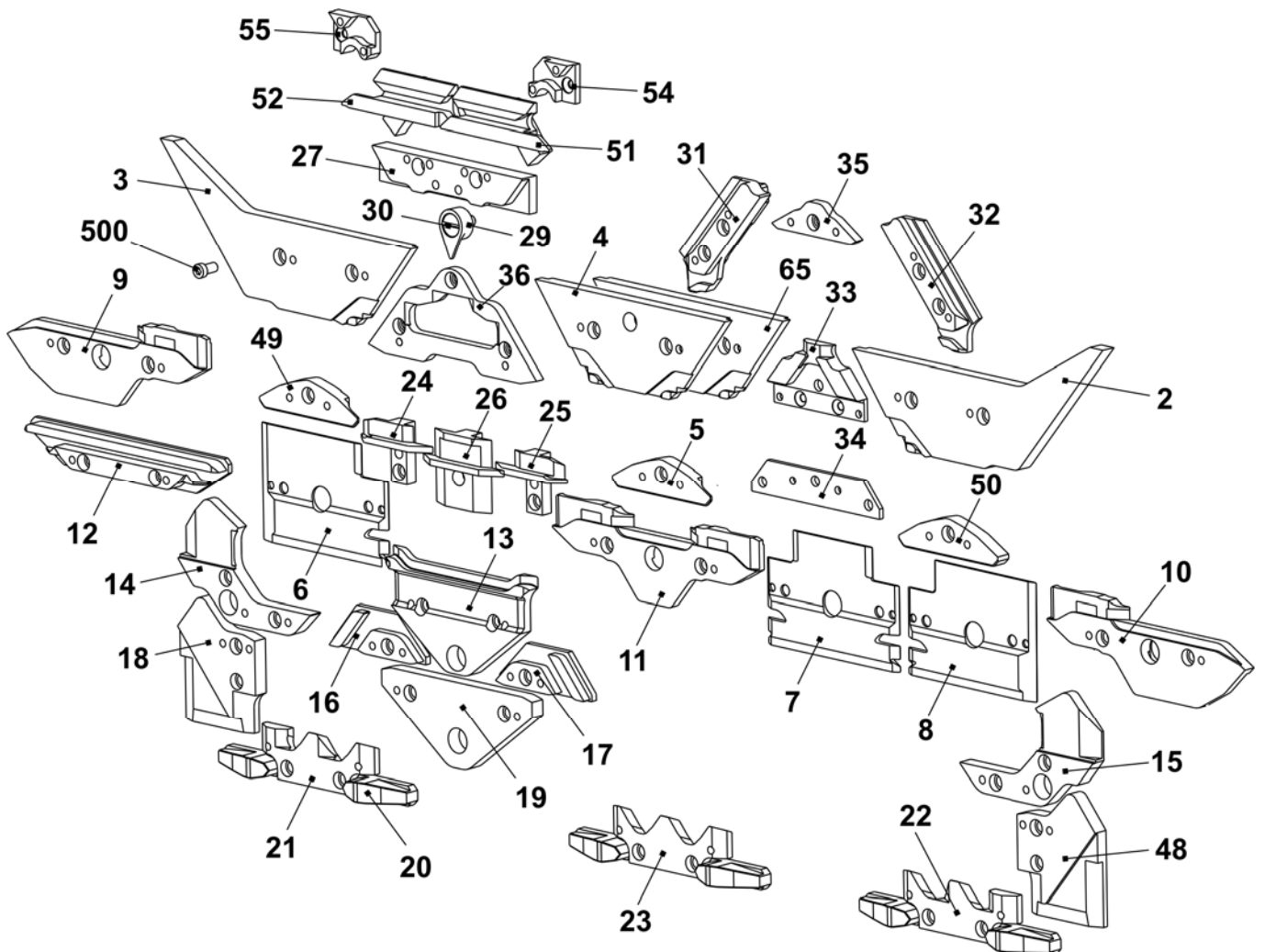
Cam part E7.2(14) (Top side)

Pos	Designation	Ident no.	Pos	Designation	Ident no.
Σ	Cam box complete E14	244 022	61	Control slide complete	219 998
1	Cam plate	242 337	61a	Control slide	219 914
37	Stitch forming cam on the right co.E12-14	219 994	61b	Control part on the left	228 825
38	Stitch forming cam on the left co.E12-14	219 993	61c	Control part on the right	228 826
39	Rod guide element on the left	211 165	61d	Guiding part on the left E5-14	219 650
40	Rod guide element in the middle	211 166	61e	Guiding part on the right	222 857
41	Rod guide element on the right	211 168	61f	Switch strip	225 115
41a	Rod guidance part	209 792	561	Cap screw M4x8	022 501
41b	Spring rod	209 791	562	U-washer 4.3x7x2.0	023 597
541	Disc 4.3x7x0.5	022 153	563	Hexagonal nut M4x8	022 461
542	Circlip 3.2	021 019	62	Supporting block on the left complete	219 995
543	Spring	023 344	63	Control unit complete	227 285
42	Switching piece	240 281	505	Shim 0.03x12x75	022 828
46	Shoulder screw	239 626	506	Shim 0.05x12x75	022 829
509	Countersunk screw M3x4	023 142	507	Shim 0.1x12x75	022 830
			508	Shim 0.2x12x75	022 831



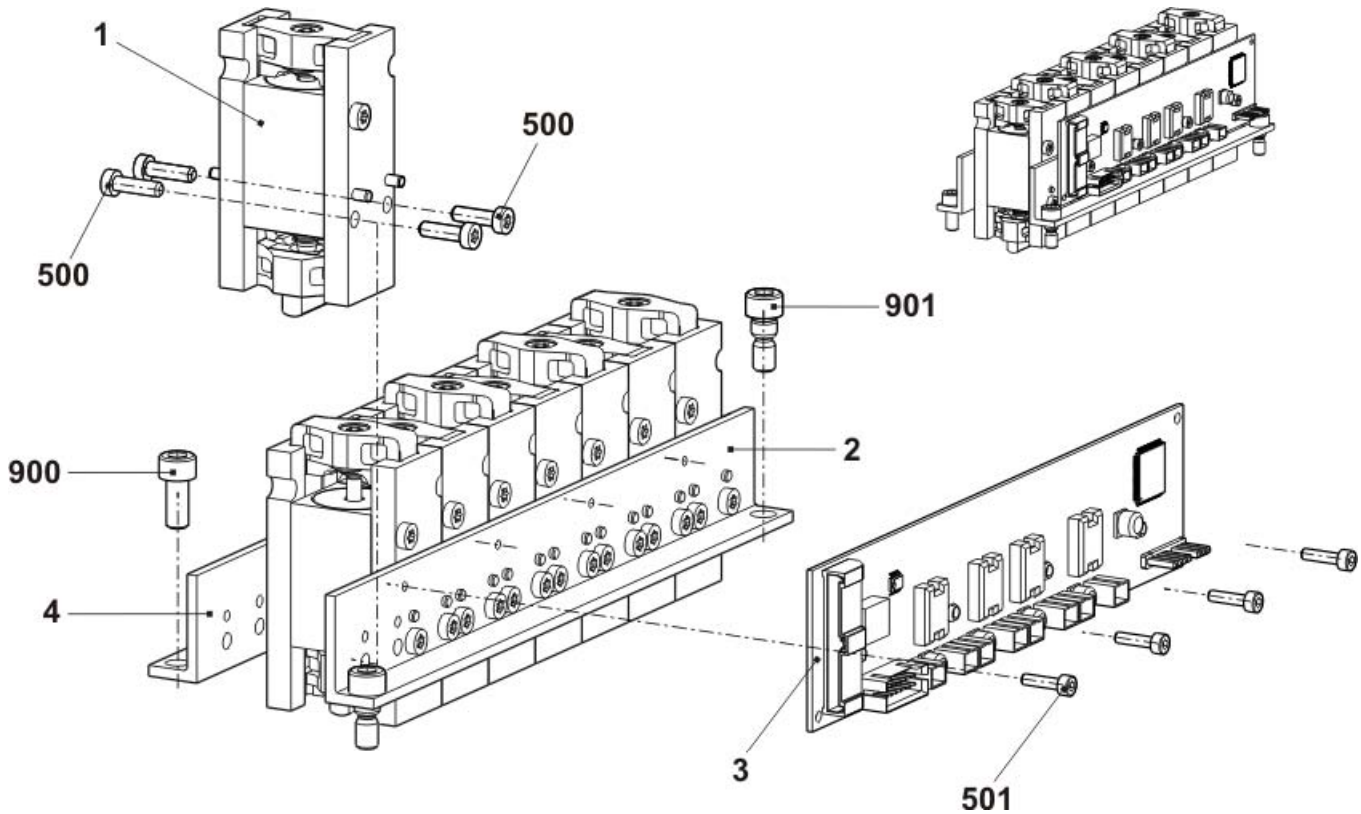
Cam part E7.2(14) (Bottom side)

Pos	Designation	Ident no.	Pos	Designation	Ident no.
Σ	Cam box complete E14	244 022	24	Pressure part take-over on the left	239 848
2	Entry cam on the right pulling	224 767	25	Pressure part take-over on the right	239 849
3	Entry cam on the left pulling	224 766	26	Tuck pressure part	239 621
4	Entry cam at the top pulling	224 572	27	Limit cam E12-14	219 937
5	Entry cam at the bottom -1.5 E10-14	216 328	29	Pointer E10-14	210 349
6	Plate on the left	230 988	30	Screw	210 335
7	Plate in the middle	231 035	31	Stitch cam on the left E10-14	236 318
8	Plate on the right	231 036	32	Stitch cam on the right E10-14	236 319
9	Cam on the left	231 039	33	Tuck limit cam E14	236 428
10	Cam on the right	231 041	34	Raising cam plate E4-12	204 372
11	Cam in the middle	231 040	35	Receiving cam E6.2	218 433
12	Cam	227 923	36	Raising cam part without split E6.2	218 434
13	Cam	210 254		Knitting raising cam with split (Accessories)	222 038
14	Cam on the left E5-14	212 265	48	Cam on the right E5-14	212 275
15	Cam on the right E5-14	212 266	49	Entry cam on the left -1.5 E10-14	216 329
16	Cam on the left	236 192	50	Entry cam on the right -1.5 E10-14	216 330
17	Cam on the right	236 193	51	Jack slider at the right	242 001
18	Cam on the left E5-14	212 274	52	Jack slider at the left	242 000
19	Cam	210 252	54	Floating cam on the right E12-14	227 278
20	Offering cam	210 185	55	Floating cam on the left E12-14	227 277
21	Selector cam on the left	212 944	65	Entry cam at the top pulling	225 333
22	Selector cam on the right	212 947	500	Cap screw M4x8	020 091
23	Selector cam	212 946			



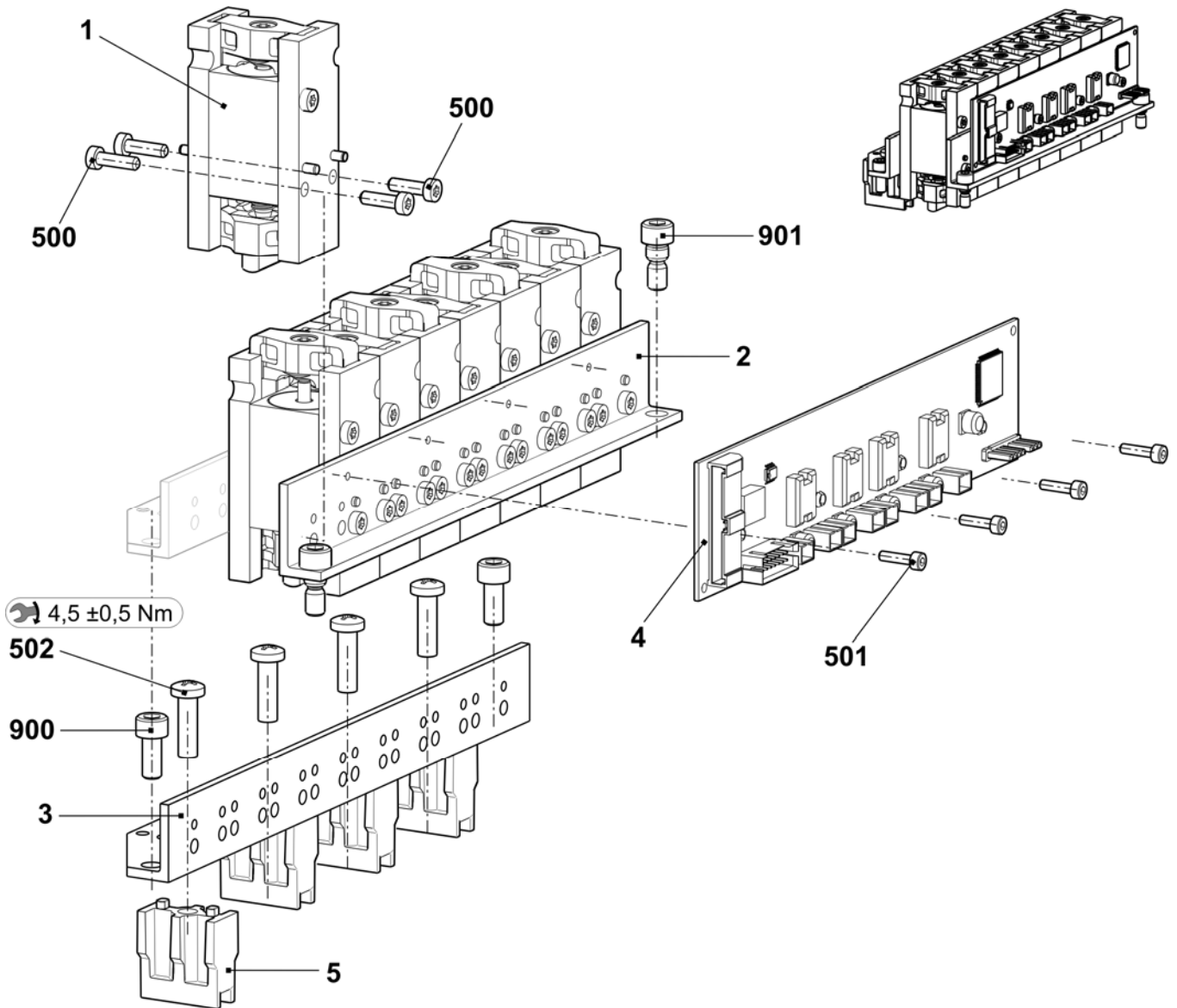
Yarn carrier driving without guiding part

Pos	Designation	Ident no.	Pos	Designation	Ident no.
Σ	YC driving outside complete	241 080			
1	Yarn carrier plunger complete	242 214	500	Cap screw M4x14-I-Torx	242 279
2	Support angle for jack	241 038	501	Cap screw M3x12-12.9	022 648
3	Card yarn carrier final stages OKC	300 960	900	Cap screw M6X14	022 658
4	Support angle for YC driving	242 903	901	Shoulder screw	231 899



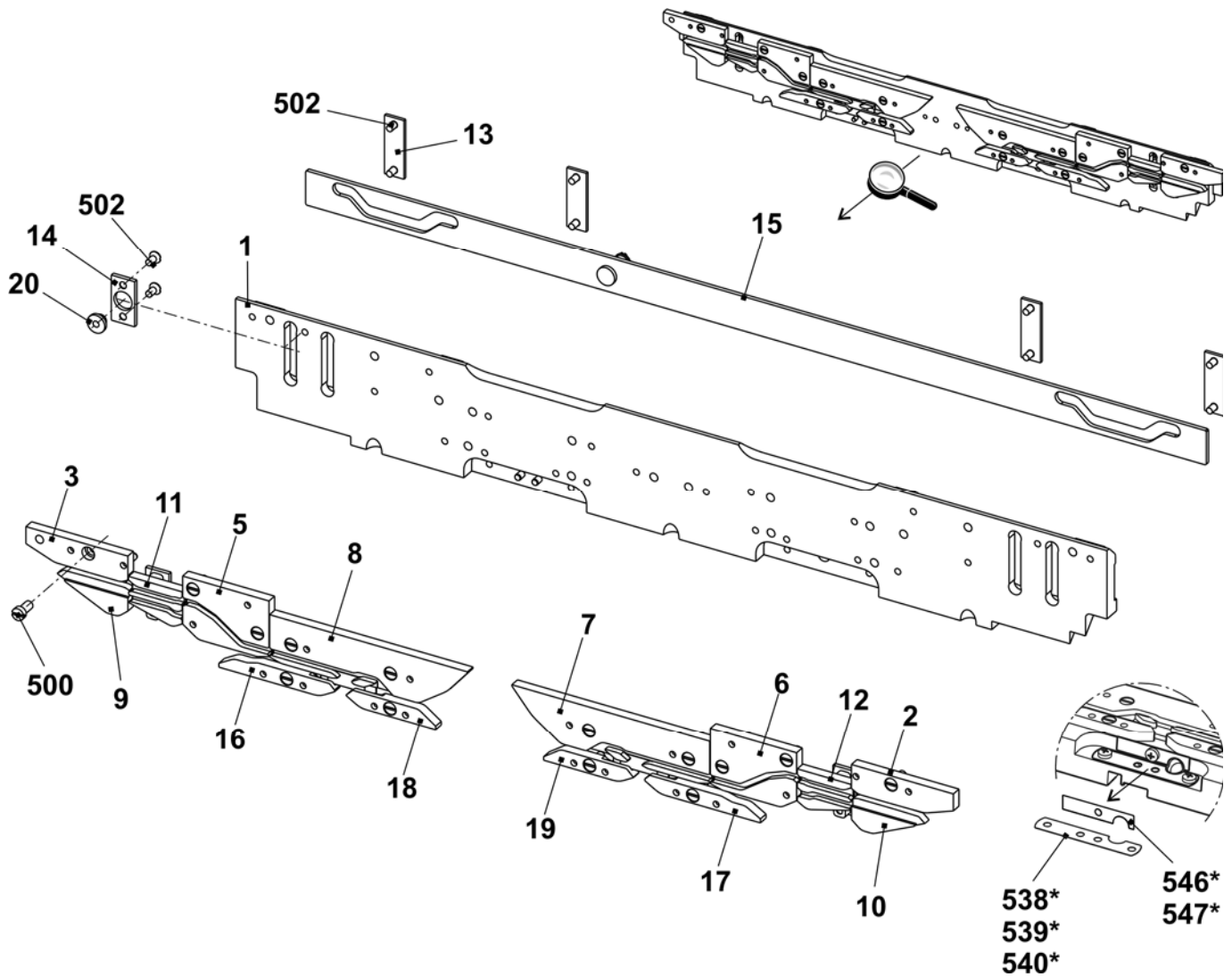
Yarn carrier driving with guiding part

Pos	Designation	Ident no.	Pos	Designation	Ident no.
Σ	YC driving in the middle complete	241 081			
1	Yarn carrier plunger complete	242 214	500	Cap screw M4x14-I-Torx	242 279
2	Support angle for jack	241 038	501	Cap screw M3x12-12.9	022 648
3	Support angle for YC driving	241 044	502	Screw KB60X20	243 625
4	Card yarn carrier final stages OKC	300 960	900	Cap screw M6X14	022 658
5	Guiding part	239 972	901	Shoulder screw	231 899



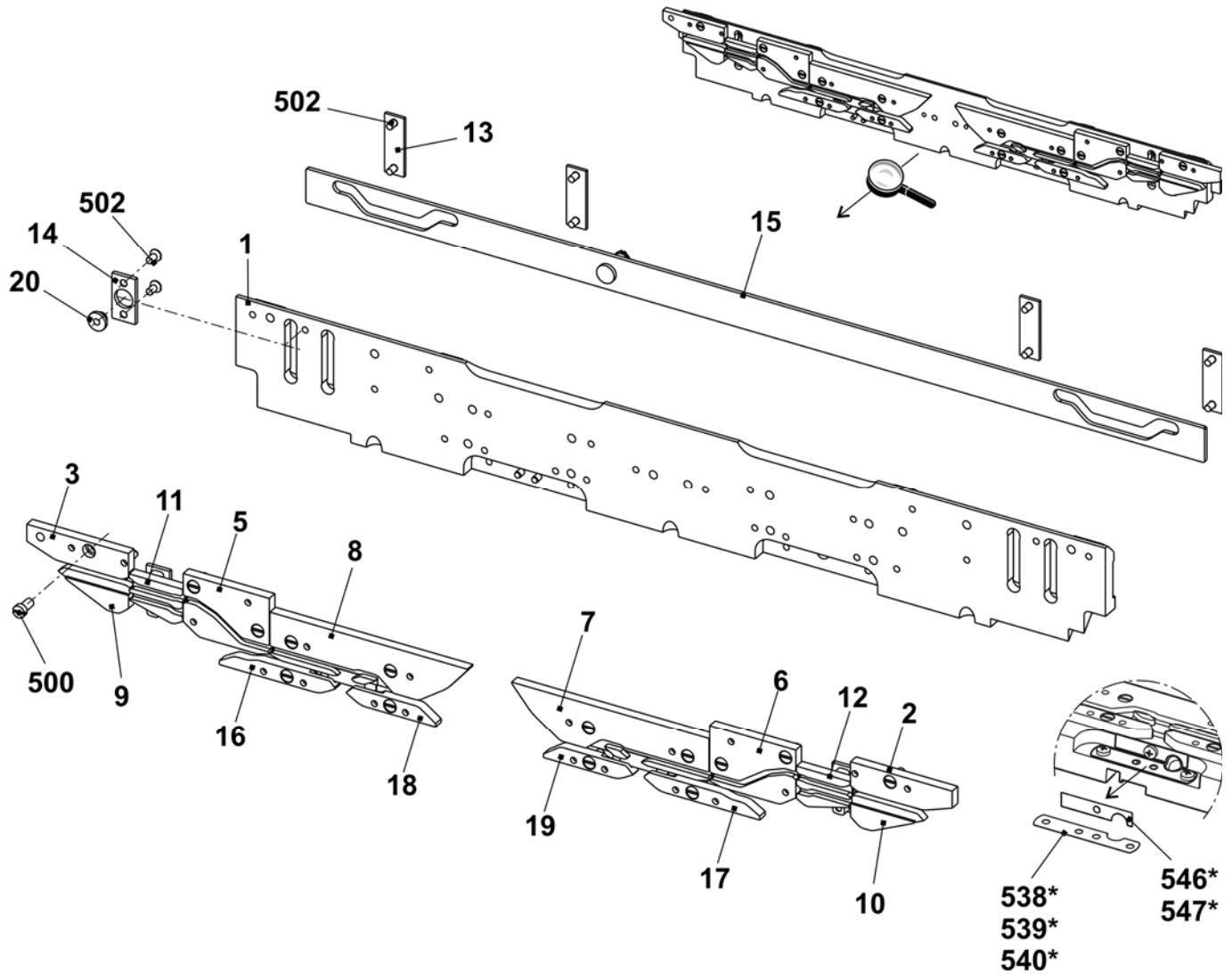
Additional cam box E6.2

Pos	Designation	Ident no.	Pos	Designation	Ident no.
Σ	Additional cam box complete E6.2	239 198			
1	Additional cam plate	224 751	15	Slider complete	224 854
2	Racking entry cam on the right	228 844	16	Collecting part on the left	226 691
3	Racking entry cam on the left	228 848	17	Collecting part on the right	226 692
5	Central cam on the left E6.2+7.2	237 160	18	Collecting part on the left	228 922
6	Central cam on the right E6.2+7.2	237 161	19	Collecting part on the right	228 923
7	Selection switch on the right	228 920	20	Cap bush	225 855
8	Selection switch on the left	228 921	500	Cap screw M4x8	020 091
9	Entry switch on the left E10-14	228 832	502	Countersunk screw M3x6	020 286
10	Entry switch on the right E10-14	228 823	538*	Shim 0.03x10x50	023 622
11	Switching part on the left at the +0.5mm E6.2	239 450	539*	Shim 0.05x10x50	023 548
12	Switching part on the right at the +0.5mm E6.2	239 451	540*	Shim 0.1x10x50	023 549
13	Guide plate	224 771	546*	Shim 0.05x7x36	239 606
14	Slider cover plate	224 776	547*	Shim 0.1x7x36	239 607



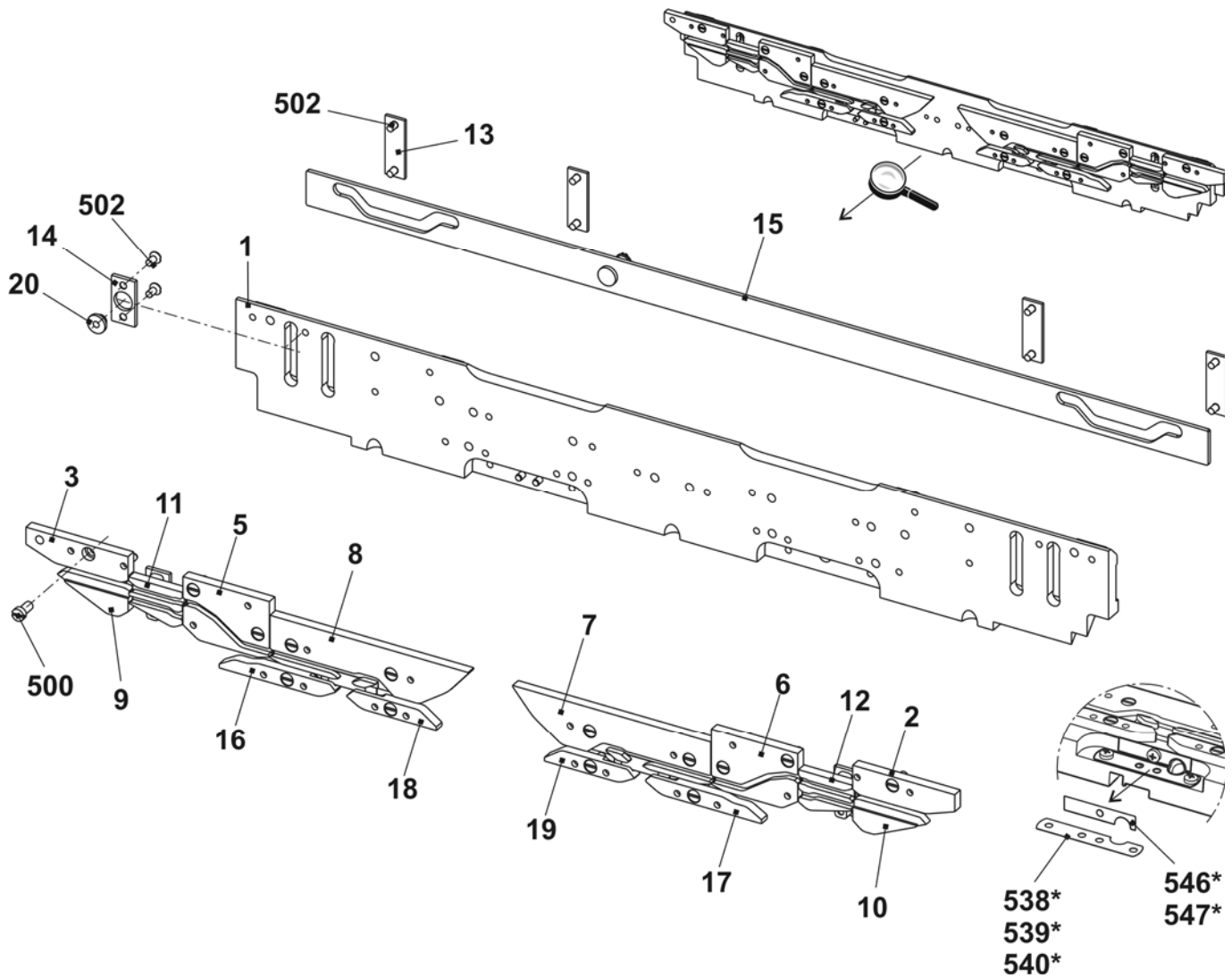
Additional cam box E7.2

Pos	Designation	Ident no.	Pos	Designation	Ident no.
Σ	Additional cam box complete E7.2	238 144			
1	Additional cam plate	224 751	15	Slider complete	224 854
2	Racking entry cam on the right	228 844	16	Collecting part on the left	226 691
3	Racking entry cam on the left	228 848	17	Collecting part on the right	226 692
5	Central cam on the left E6.2+7.2	237 160	18	Collecting part on the left	228 922
6	Central cam on the right E6.2+7.2	237 161	19	Collecting part on the right	228 923
7	Selection switch on the right	228 920	20	Cap bush	225 855
8	Selection switch on the left	228 921	500	Cap screw M4x8	020 091
9	Entry switch on the left E10-14	228 832	502	Countersunk screw M3x6	020 286
10	Entry switch on the right E10-14	228 823	538*	Shim 0.03x10x50	023 622
11	Switching part on the left at the rear E6.2+7.2	237 601	539*	Shim 0.05x10x50	023 548
12	Switching part on the right at the rear E6.2+7.2	237 600	540*	Shim 0.1x10x50	023 549
13	Guide plate	224 771	546*	Shim 0.05x7x36	239 606
14	Slider cover plate	224 776	547*	Shim 0.1x7x36	239 607



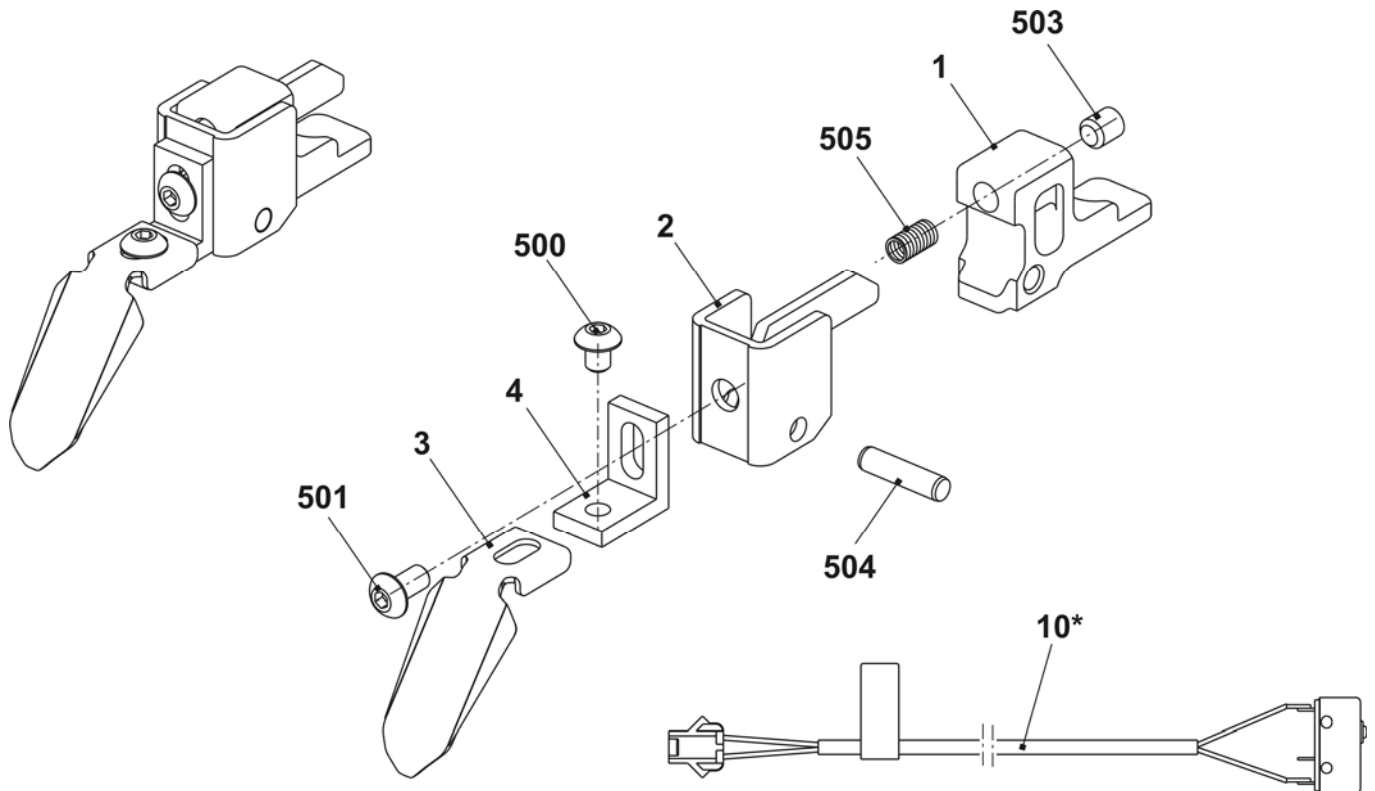
Additional cam E6.2(12) + E7.2(14)

Pos	Designation	Ident no.	Pos	Designation	Ident no.
Σ	Additional cam box complete E10-14	224 857			
1	Additional cam plate	224 751	15	Slider complete	224 854
2	Racking entry cam on the right	228 844	16	Collecting part on the left	226 691
3	Racking entry cam on the left	228 848	17	Collecting part on the right	226 692
5	Central cam on the left E10-14	230 420	18	Collecting part on the left	228 922
6	Central cam on the right E10-14	230 421	19	Collecting part on the right	228 923
7	Selection switch on the right	228 920	20	Cap bush	225 855
8	Selection switch on the left	228 921	500	Cap screw M4x8	020 091
9	Entry switch on the left E10-14	228 832	502	Countersunk screw M3x6	020 286
10	Entry switch on the right E10-14	228 823	538*	Shim 0.03x10x50	023 622
11	Switching part on the left E10-14	230 422	539*	Shim 0.05x10x50	023 548
12	Switching part on the right E10-14	230 423	540*	Shim 0.1x10x50	023 549
13	Guide plate	224 771	546*	Shim 0.05x7x36	239 606
14	Slider cover plate	224 776	547*	Shim 0.1x7x36	239 607



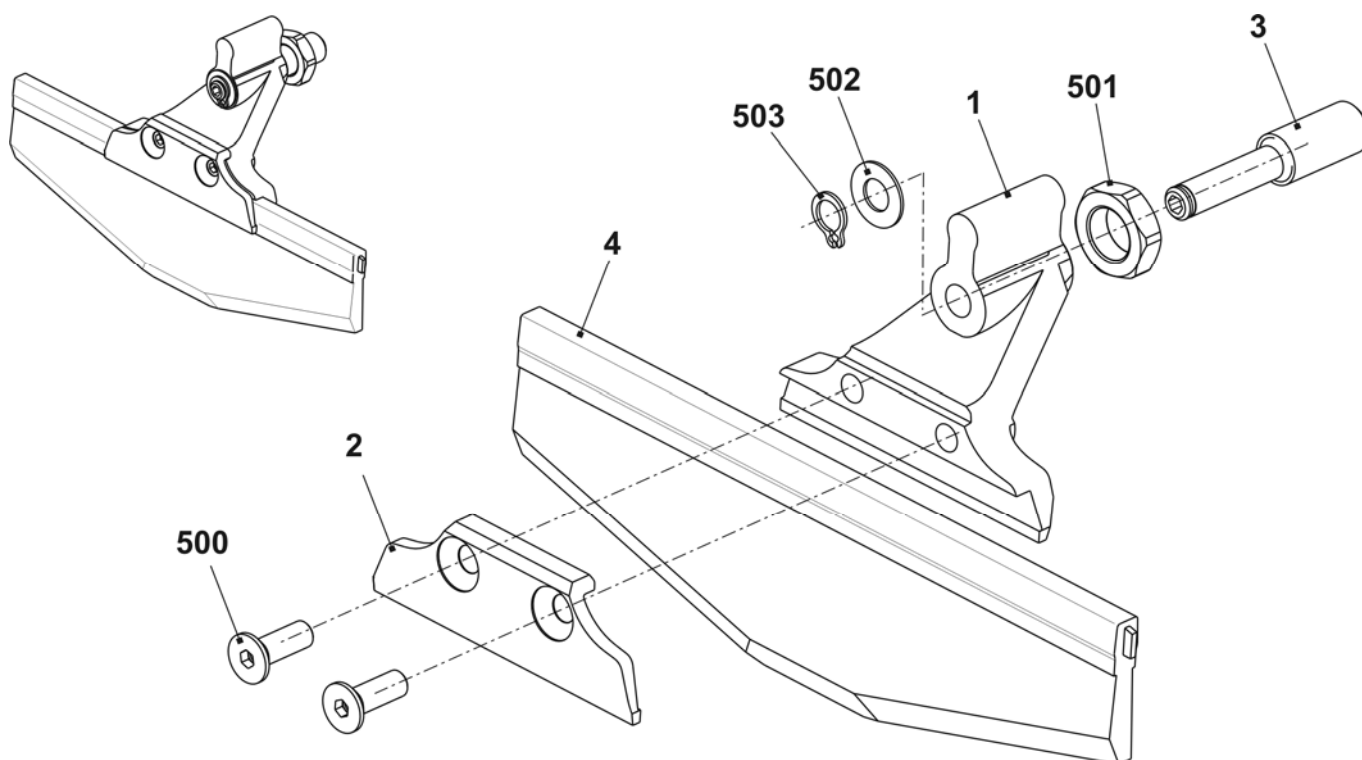
Needle detector

Pos	Designation	Ident no.	Pos	Designation	Ident no.
Σ	Needle detector complete	226 969			
1	Support	226 773	500	Countersunk screw M4x5	239 549
2	Retainer	226 787	501	Countersunk screw M4x8	023 579
3	Sensor	226 967	503	Set screw M5x6	022 580
4	Angle	222 882	504	Setting pin 4x16	020 660
10*	Cable of needle detector complete	224 655	505	Compression spring 4.3x0.45x10	021 398



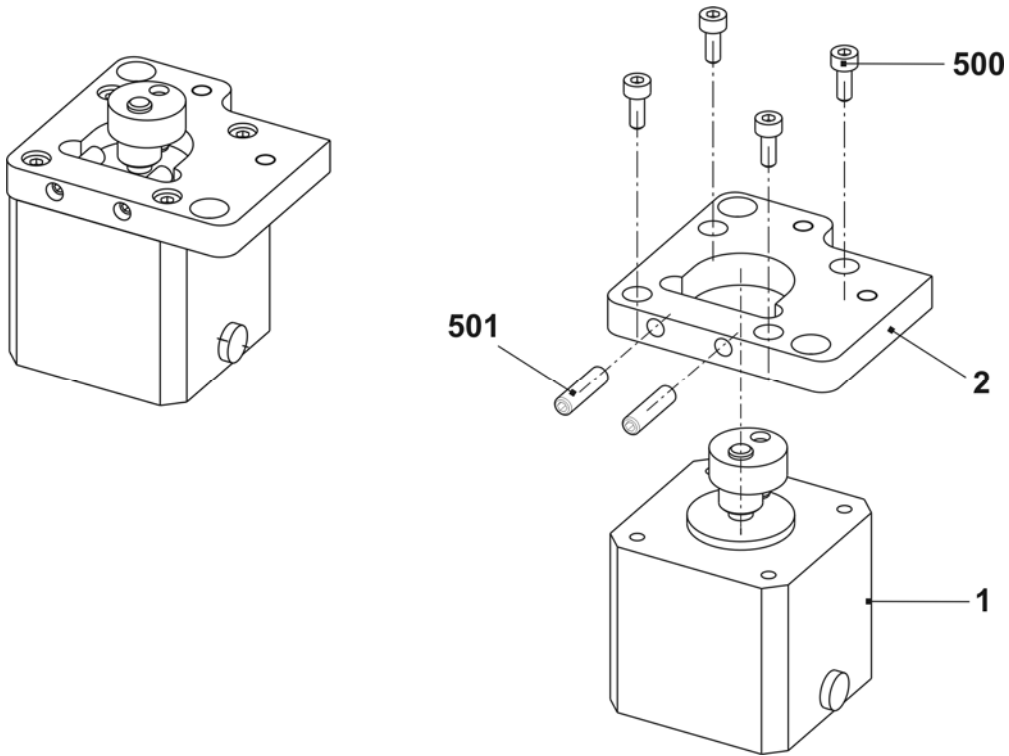
Brush holder

Pos	Designation	Ident no.	Pos	Designation	Ident no.
Σ	Brush holder complete E6.2 + E7.2 + E6.2(12) + E7.2(14)	220 065			
1	Brush holder	219 423	500	Countersunk head screw M4x12	023 062
2	Brush clamp	213 010	501	Hexagon nut M8x5	020 856
3	Threaded rod	209 740	502	Adjusting washer 5x10x0.5	023 348
4	Brush	212 854	503	Locking ring 5x0.6	023 347



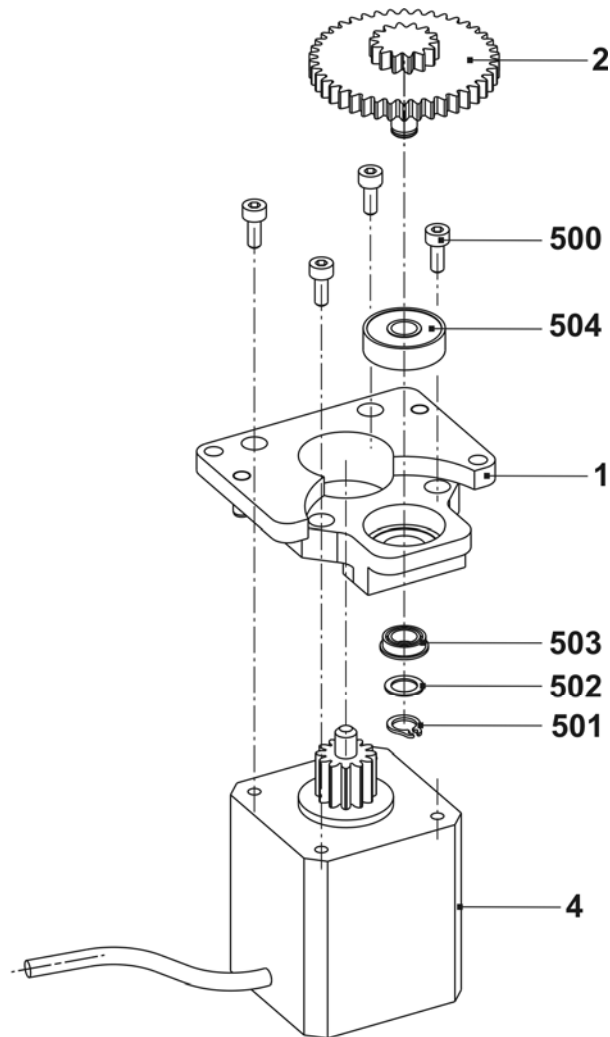
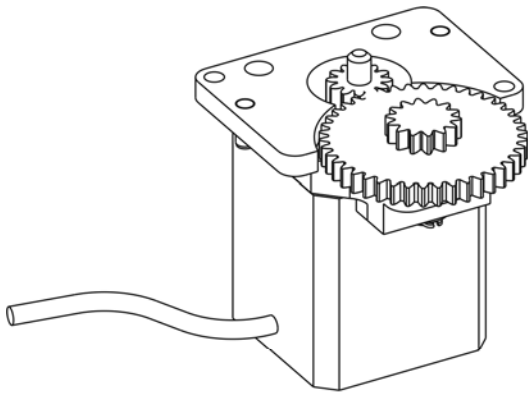
Control unit brush

Pos	Designation	Ident no.	Pos	Designation	Ident no.
Σ	Control unit brush	224 631			
1	Motor complete	224 628	500	Cap screw M3x8	022 582
2	Motor plate	224 619	501	Grub screw M4x16	023 586



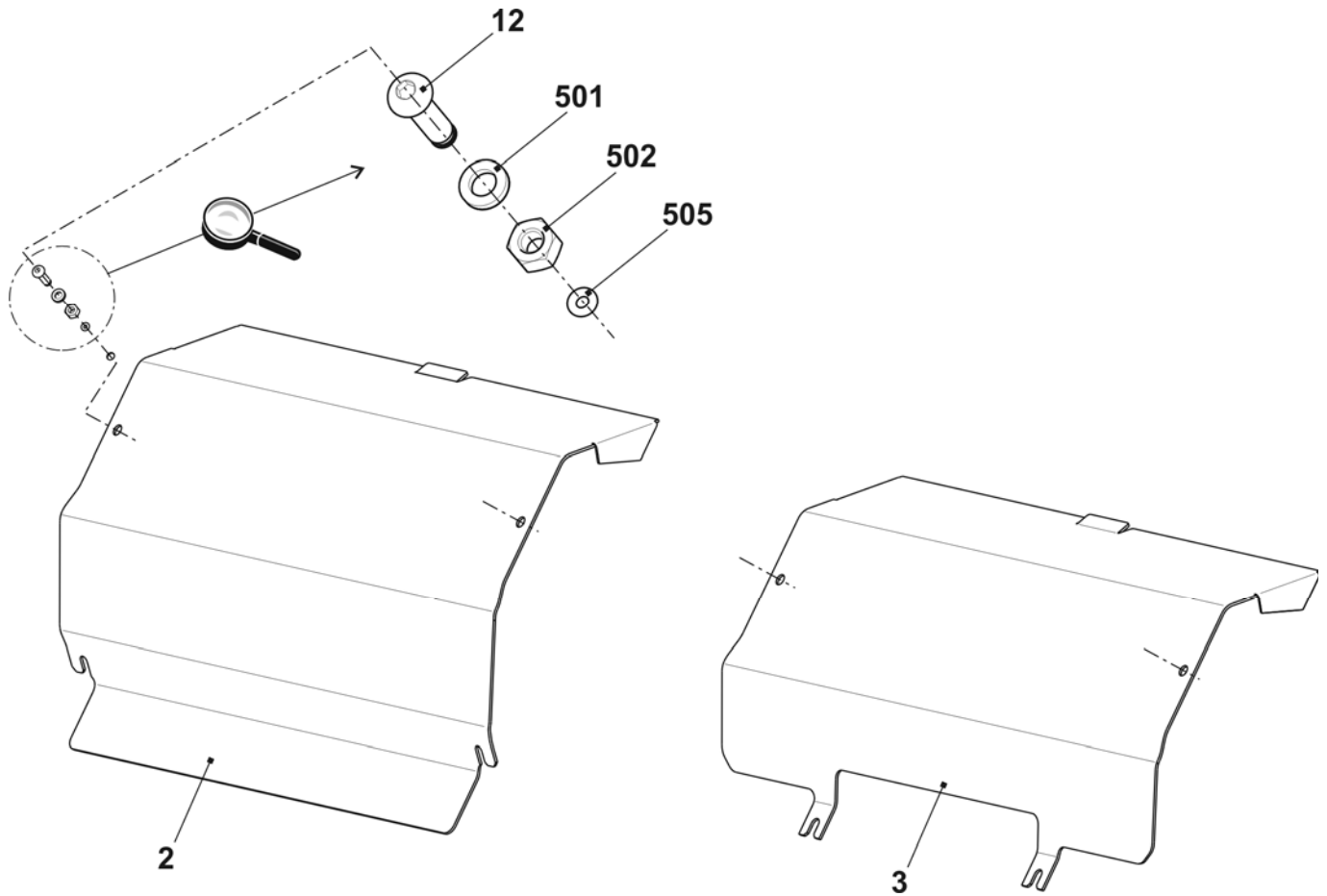
Control unit Holding-down jack

Pos	Designation	Ident no.	Pos	Designation	Ident no.
Σ	Control unit Holding-down jack	223 380			
1	Motor plate on the right	222 837	501	Locking ring 6x0.7	023 298
2	Gear wheels	225 908	502	Washer 6.1x9x0.5	023 554
4	Motor pre-assembled	220 071	503	Ball bearing MF106HZZ-6x10x3	023 533
500	Cap screw M3x8	022 582	504	Ball bearing 626-2RS	023 587

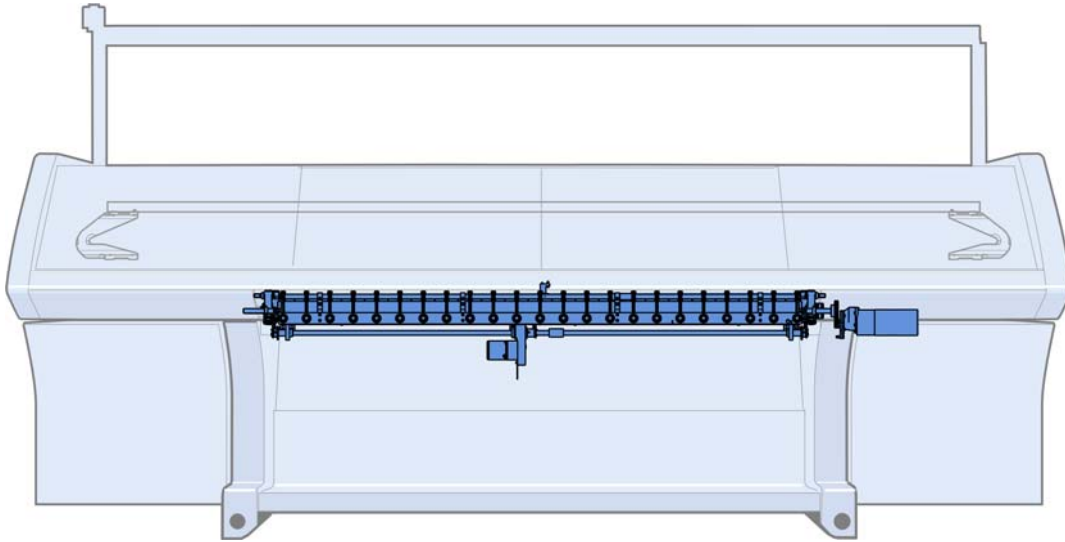


Carriage cover

Pos	Designation	Ident no.	Pos	Designation	Ident no.
2	Carriage cover front 3 cam boxes	251 175	501	Serrated lock washer 6.4	022 385
3	Carriage cover at the rear 3 cam boxes	251 182	502	Hexagon nut M6	022 899
12	Fixing bolt	242 382	505	O-ring 3x2	242 420

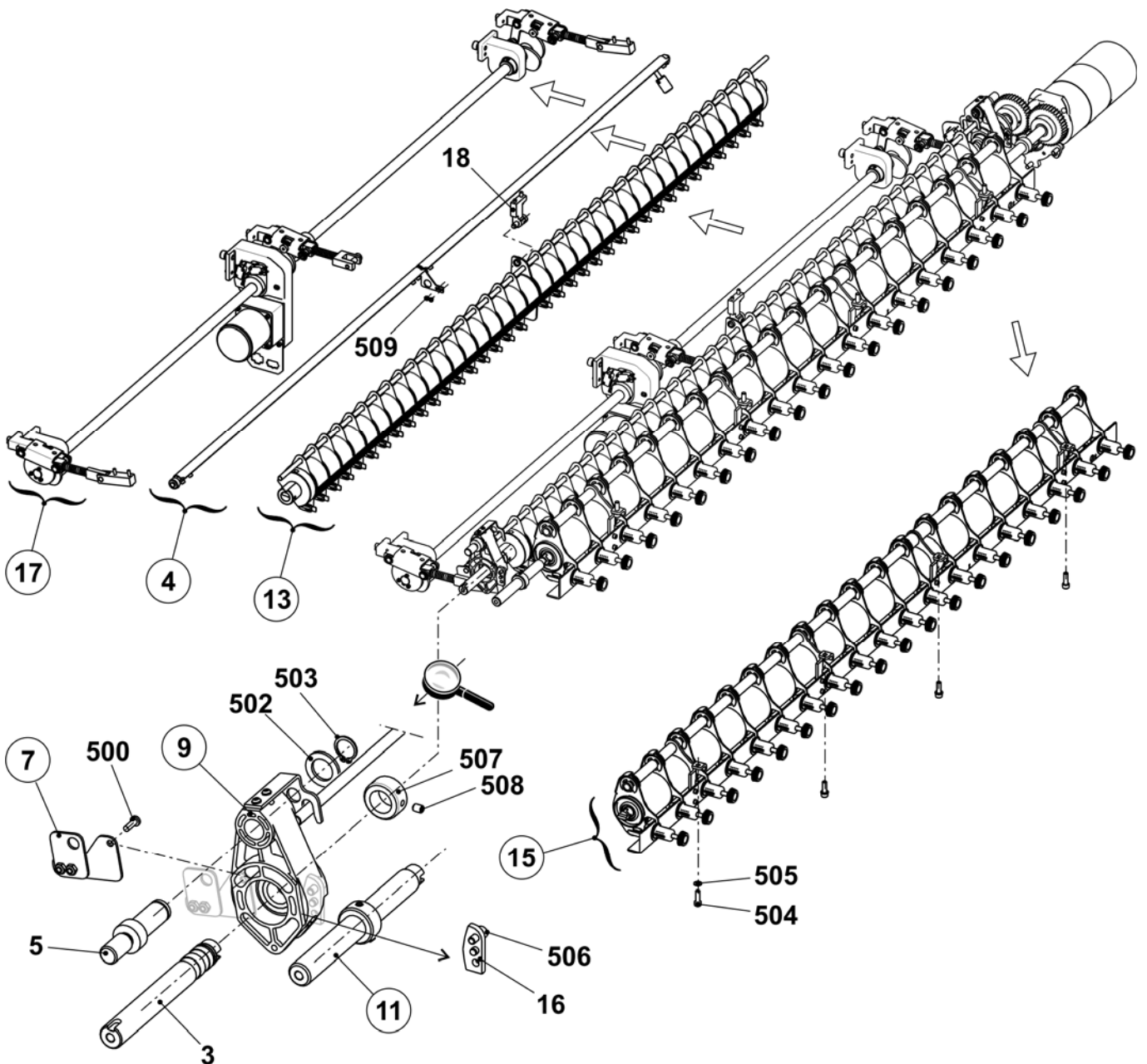


Main take-down



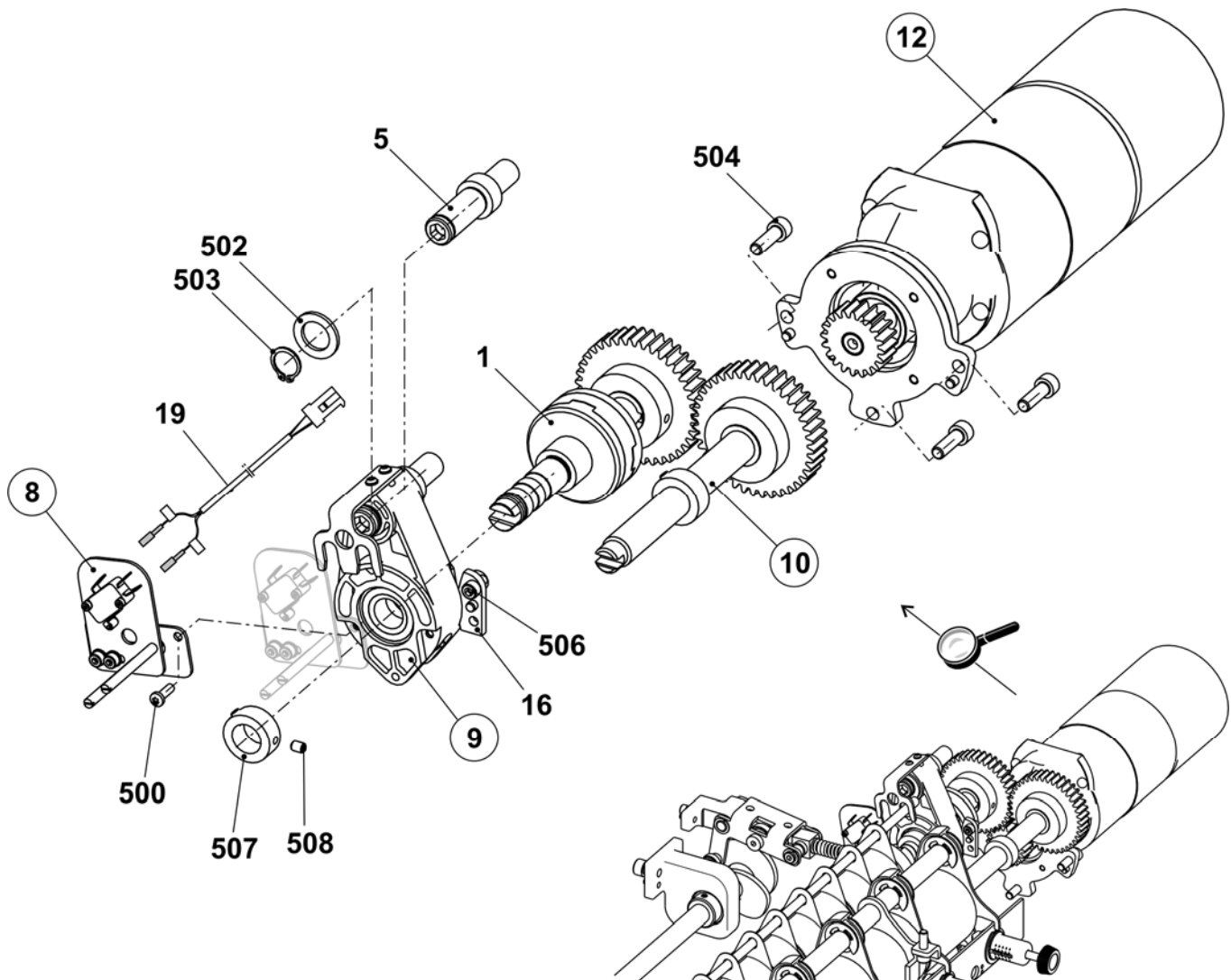
Take-down rollers and left bearing

Pos	Designation	Ident no.	Pos	Designation	Ident no.
Σ	Main take-down 72"				
	E5 - 14 (E3,5.2-7.2)	253 947	17	Main take-down on/off complete 72"	253 935
3	Shaft on the left at the rear	221 012	18	Bearing block in the middle complete	237 357
4	Stripper angle at the rear complete	240 413	500	Screw 50x15	251 728
5	Bolt	208 538	502	U-washer 18	023 295
7	Mounting plate on the left complete	231 725	503	Locking ring 18x1.2	020 955
9	Swivel-mounted bearing	253 247	504	Cap screw M8X25	020 142
11	Floating axle on the left	235 829	505	U-washer 8	020 883
13	Take-down roller at the rear complete		506	Cap screw M6x12	020 134
	E5 - 14 (E3,5.2-7.2)	242 463	507	Set collar A20	020 938
15	Take-down roller at the front complete	253 912	508	Set screw M6x8	022 684
16	Stop point	252 503	509	Oval flange head screw M4x6	235 450



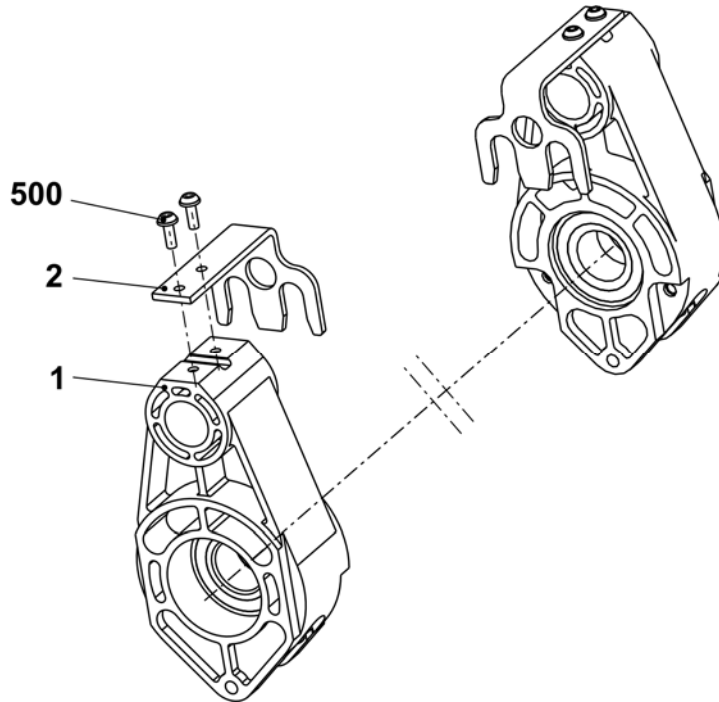
Take-down motor and right bearing

Pos	Designation	ID	Pos	Designation	ID
	Main take-down (continuation)		19	Connection cable winding plate OKC	241 703
1	Clutch set	251 677	500	Screw	251 728
5	Bolt	208 538	502	U-washer 18-200	023 295
8	Mounting plate on the right complete	240 069	503	Locking ring 18x1.2	020 955
9	Swivel-mounted bearing	253 247	504	Cap screw M8x25-12.9	020 142
10	Floating axle on the right	235 830	506	Cap screw M6x12	020 134
12	Motor take-down unit co.	253 803	507	Set collar A20	020 938
16	Stop point	252 503	508	Set screw M6x8	022 684



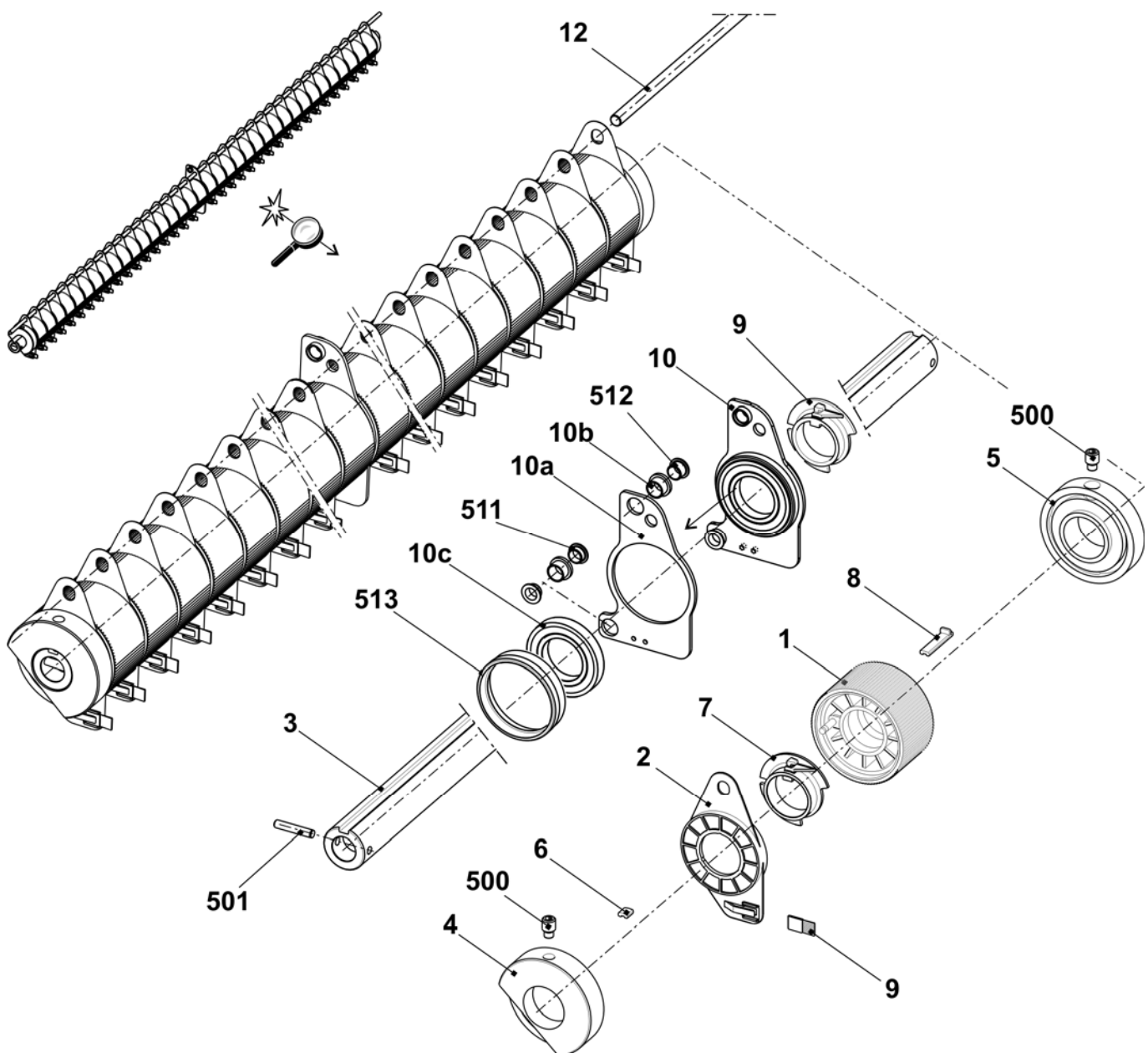
Swivel-mounted bearing

Pos	Designation	ID	Pos	Designation	ID
Σ	Swivel-mounted bearing	253 247			
1	Swivel-mounted bearing	253 200	500	Screw 35x10	251 729
2	Sheet metal support	253 212			



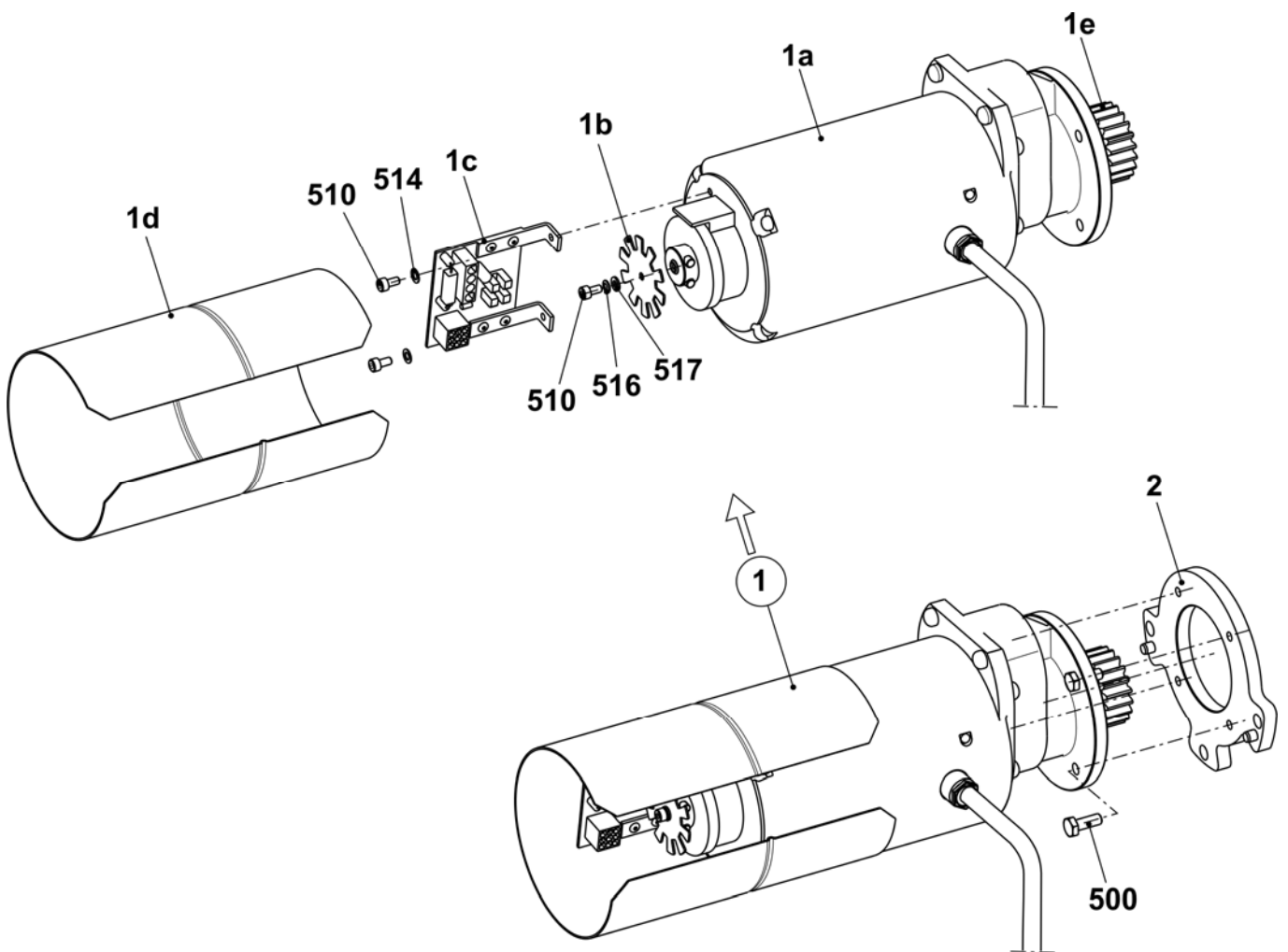
Rear take-down roller

Pos	Designation	ID	Pos	Designation	ID
Σ	Take-down roller at the rear complete		10	Support	232 578
	E5 – 14 (E3,5.2-7.2)	242 463	10a	Supporting plate	232 512
1	Roller (E5 – 14)	206 770	10b	Bearing	232 571
2	Stripper	241 612	10c	Ring	222 895
3	Shaft	222 147	510	Ball bearing 16007	021 697
4	Ring on the left	250 573	511	Slide bearing GFM-101216-06	023 280
5	Ring on the right	250 574	512	Slide bearing GFM-101216-09	023 356
6	Spacer slide	222 062	11	Brush	225 819
7	Stop ring on the left	204 369	12	Rod	219 218
8	Spacer slide	240 104	500	Set screw M10x15-4	020 635
9	Stop ring on the left	222 910	501	Setting pin 6x32	020 685



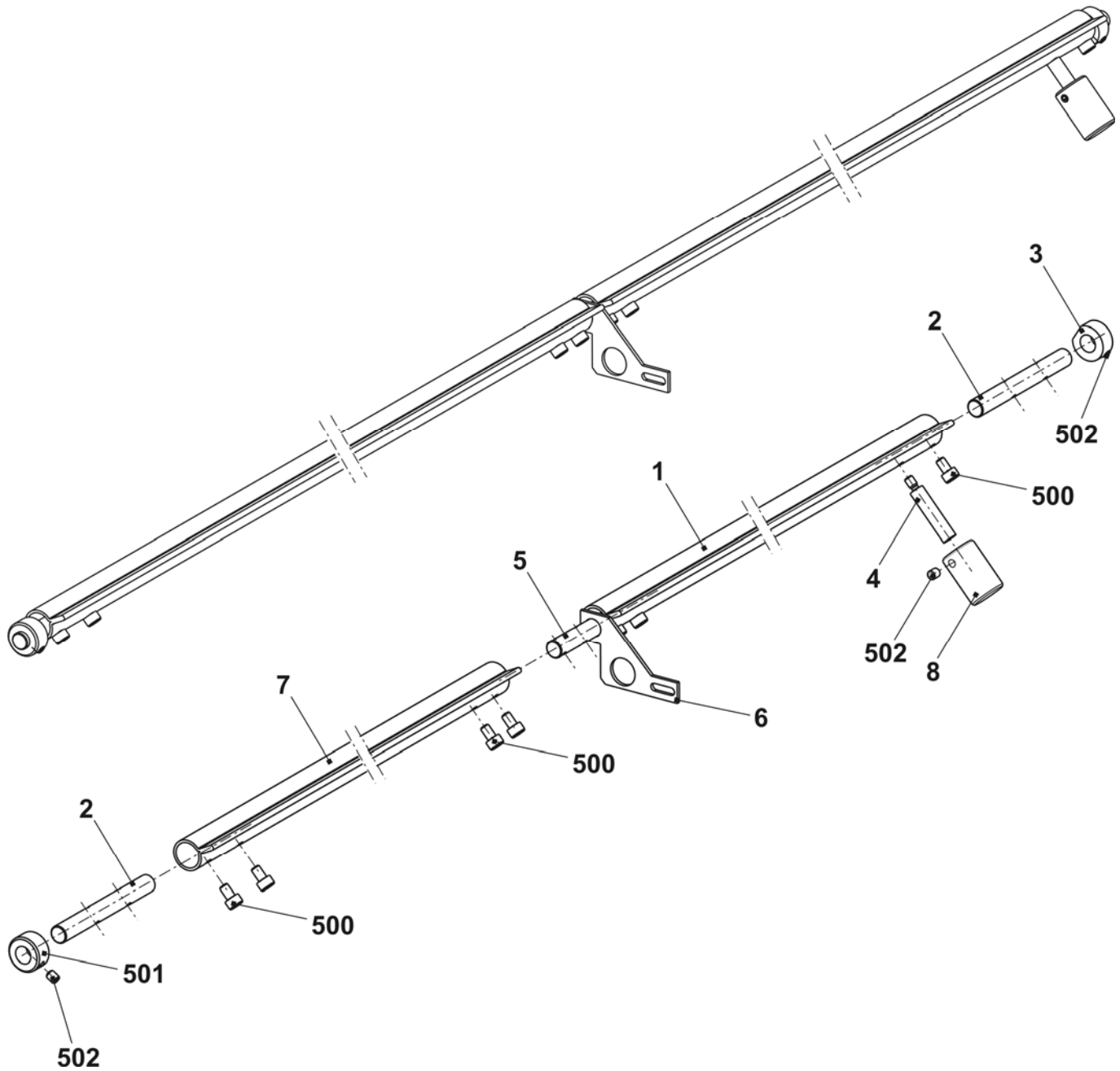
Impulse giver and motor

Pos	Designation	ID	Pos	Designation	ID
Σ	Motor take-down unit co.	253 803			
1	Motor take-down unit + comb	214 279	2	Flange	241 754
1a	Motor complete	212 650	500	Hexagon screw M6X16	020 356
1b	Impulse disc	208 716			
1c	Photoelectric sensor take-down + comb	300 744			
1d	Cover	212 262			
1e	Gear wheel	241 668			
510	Cap screw M4x8	022 501			
514	U-washer 4-200	020 879			
516	Circlip	022 774			
517	Shim ring 4x8x1	023 369			



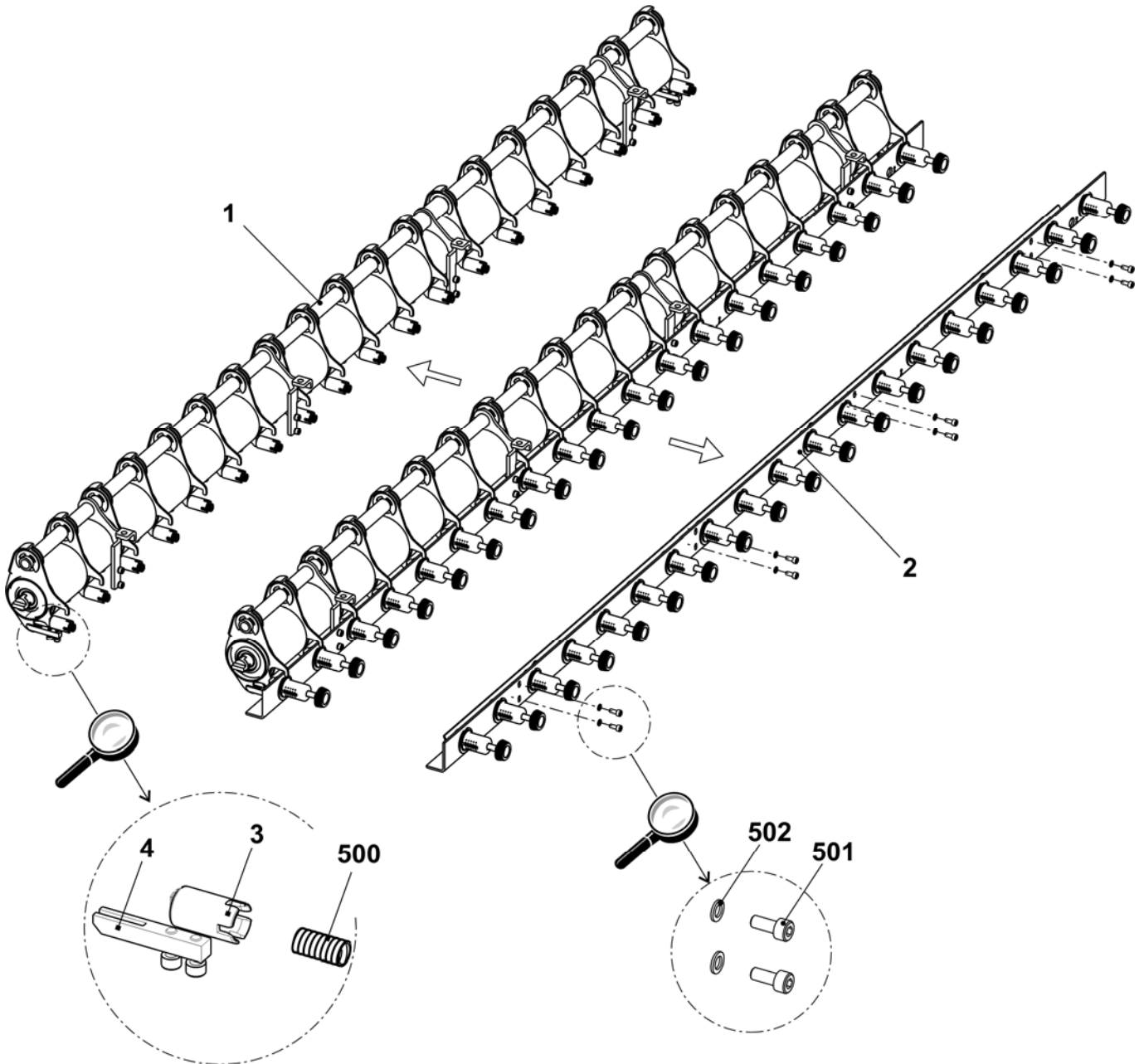
Stripper angle

Pos	Designation	ID	Pos	Designation	ID
Σ	Stripper angle at the rear complete	240 413	6	Strap	235 731
1	Stripper angle on the right	240 414	7	Stripper angle on the left	240 415
2	Shaft	240 127	8	Setting weight	229 248
3	Cam	209 278	500	Cap screw M5x8	023 319
4	Bolt	228 310	501	Set collar	020 934
5	Axle	228 803	502	Set screw M5x6	022 738



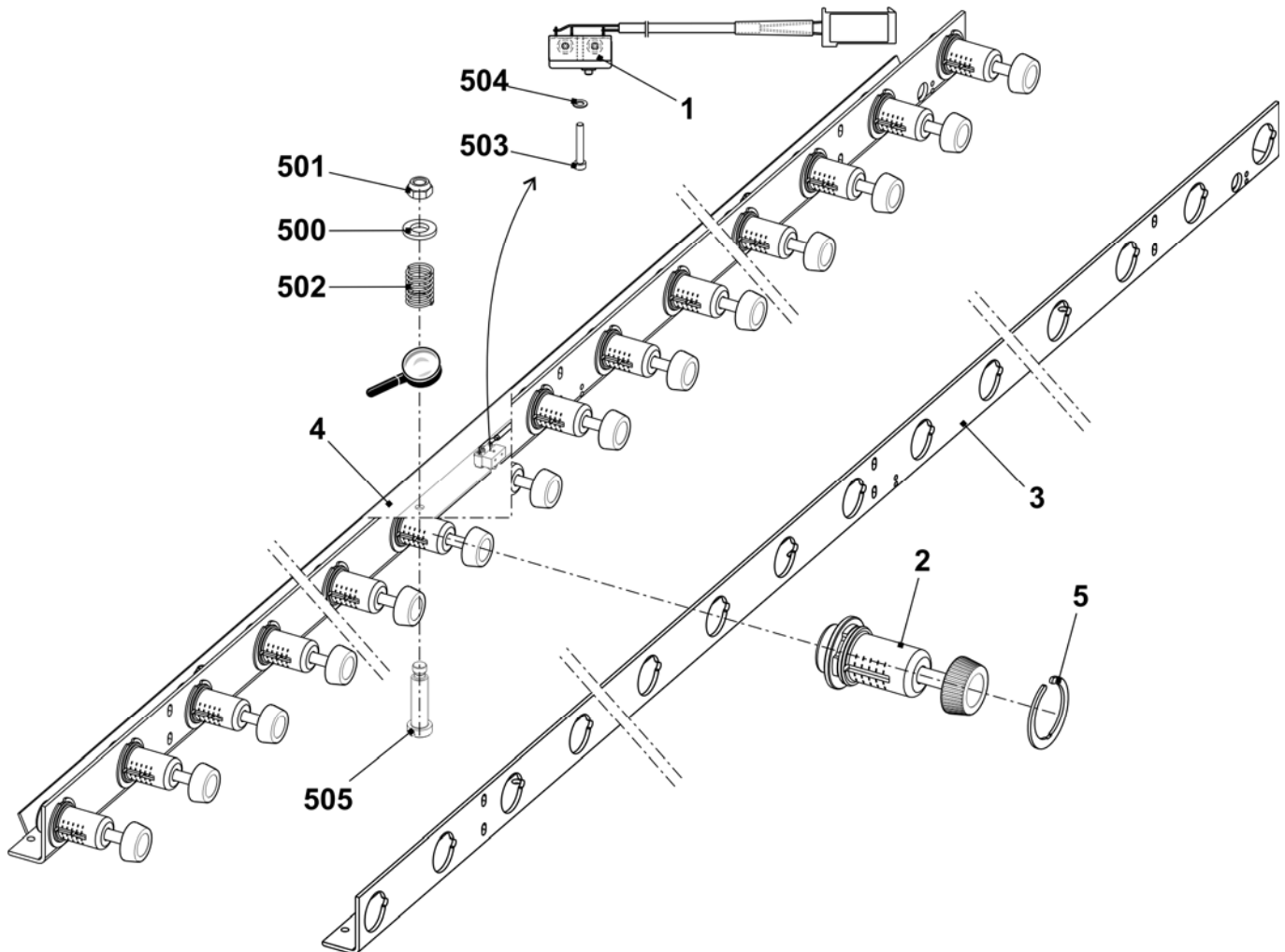
Front take-down roller

Pos	Designation	ID	Pos	Designation	ID
Σ	Take-down roller at the front complete	253 912	4	Fixed piece	221 935
1	Take-down roller at the front	253 902	500	Compression spring 1x10x30	023 741
2	Angle rail complete	241 828	501	Cap screw M5x12	020 132
3	Pressure sleeve	220 911	502	U-washer 5-200	020 880



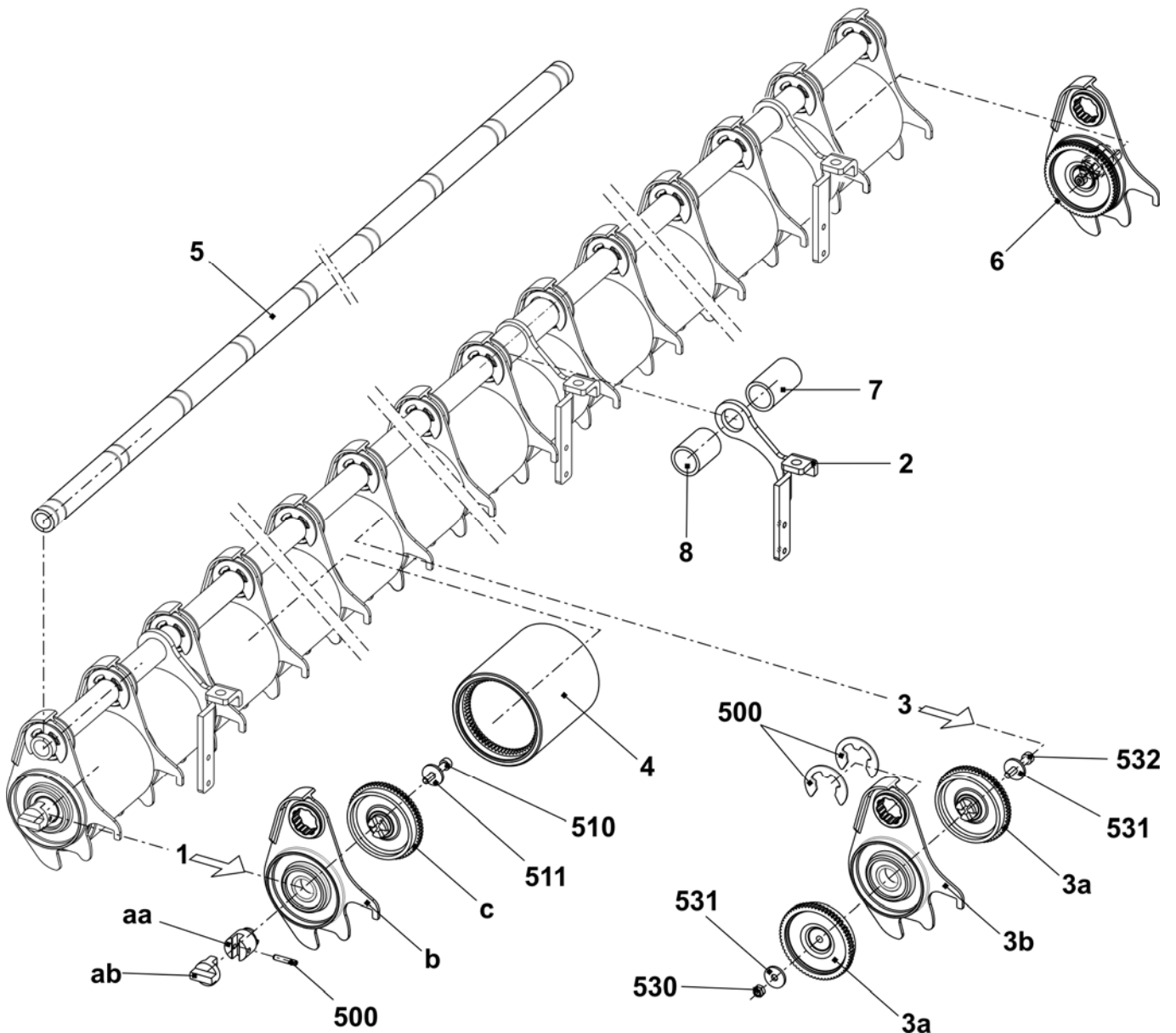
Pressure angle rail

Pos	Designation	ID	Pos	Designation	ID
Σ	Angle rail complete	241 828	500	U-washer 6	022 431
1	Switch complete with cable	221 265	501	Hexagon nut M5-8	023 541
2	Spring flange	242 327	502	Compression spring 0.8x9.2x27.5	023 537
3	Angle rail	241 774	503	Cap screw M2x12	023 522
4	Winding plate	222 105	504	U-washer 2-200	022 908
5	Locking ring	242 325	505	Shoulder screw M5x20x5	023 675



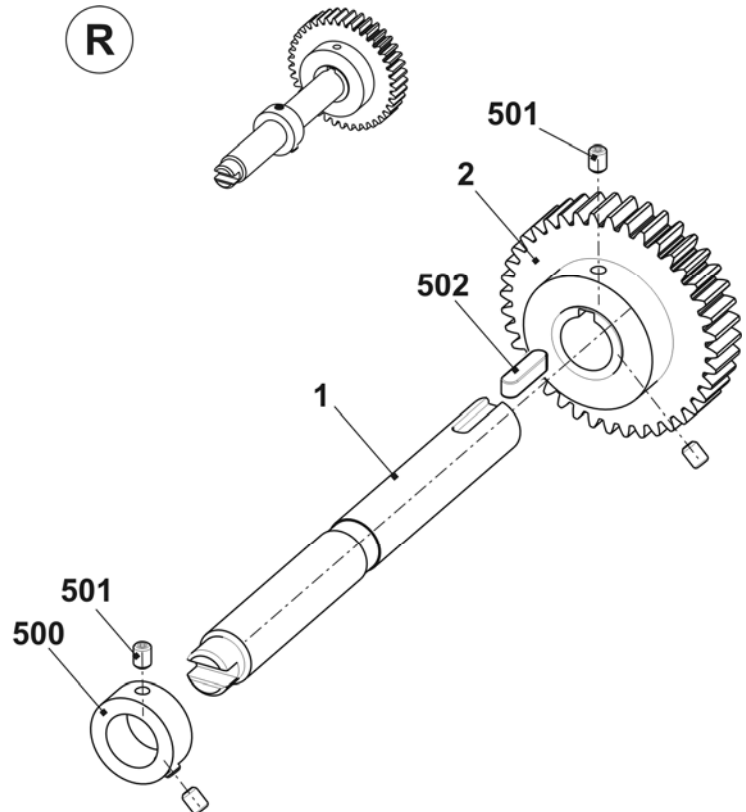
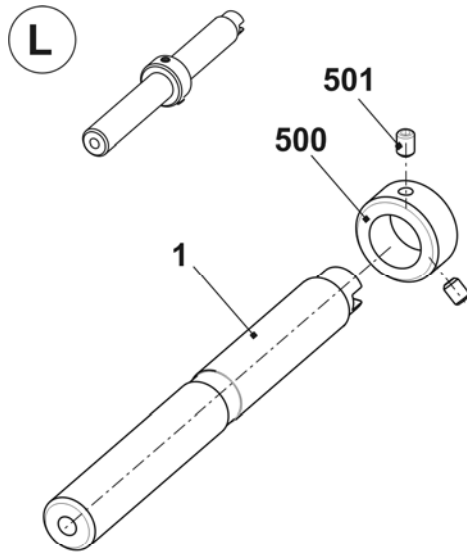
Front roller elements

Pos	Designation	ID	Pos	Designation	ID
Σ	Take-down roller at the front	253 902			
1	Bearing support on the left complete	221 225	3	532 Cap screw M5x30	022 396
aa	Adaptor	221 132	4	Roller	220 905
ab	Universal joint	221 137	5	Tube	222 151
b	Bearing support	220 913	6	Bearing support on the right complete	221 240
c	Gear wheel	220 910	aa	Adaptor	221 132
510	Cap screw M5x20	020 133	ab	Universal joint	221 137
511	Washer 5-100hv	023 542	b	Bearing support	220 913
500	Spring dowel sleeve 4x20	023 551	c	Gear wheel	220 910
2	Support	251 557	510	Cap screw M5x20	020 133
3	Bearing support complete	221 241	511	Washer 5-100hv	023 542
3b	Bearing support	220 913	500	Spring dowel sleeve 4x20	023 551
3a	Gear wheel	220 910	7	Distance pipe on the right	253 407
530	Hexagon nut M5-8	023 541	8	Distance pipe on the left	253 408
531	Washer 5-100hv	023 542	500	Circlip	021 025



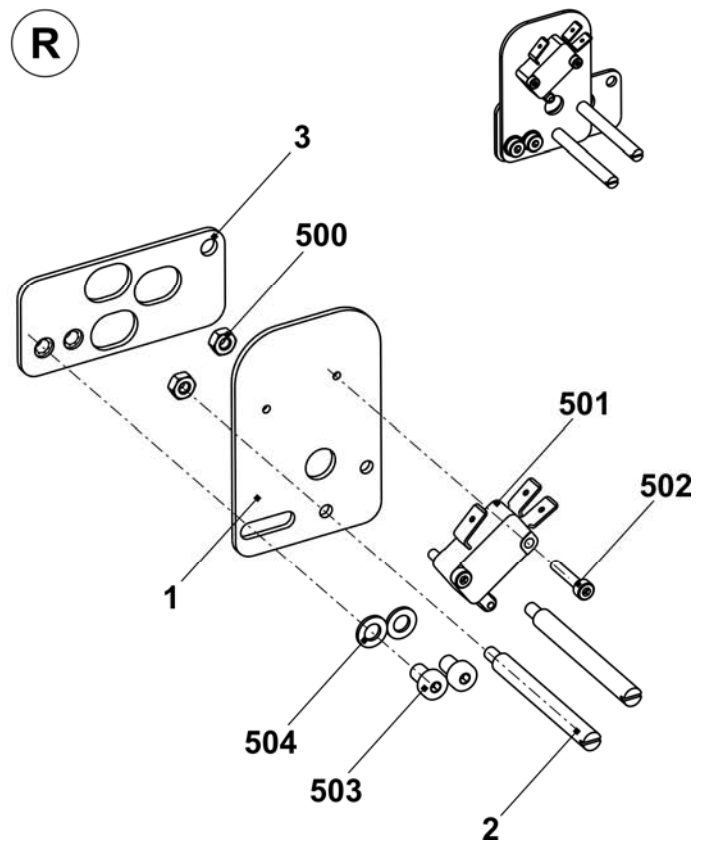
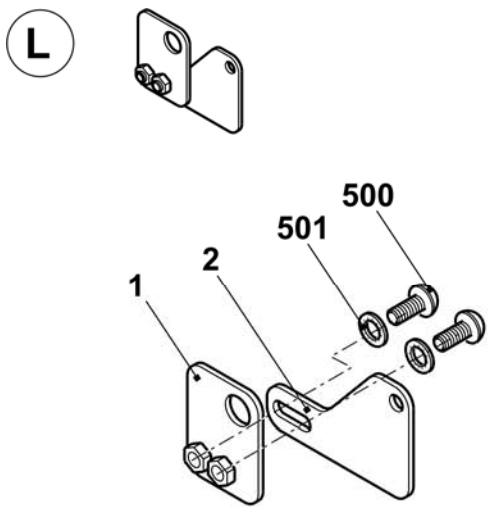
Floating axle

Pos	Designation	ID	Pos	Designation	ID
Σ L	Floating axle on the left	235 829	Σ R	Floating axle on the right	235 830
1	Shaft on the left at the front	235 827	1	Shaft on the right at the front	235 826
500	Set collar	020 938	2	Gear wheel z=40, m=2	213 744
501	Set screw M6x8	022 684	500	Set collar	020 938
			501	Set screw M6x8	022 684
			502	Feather key A 6x6x25	023 017



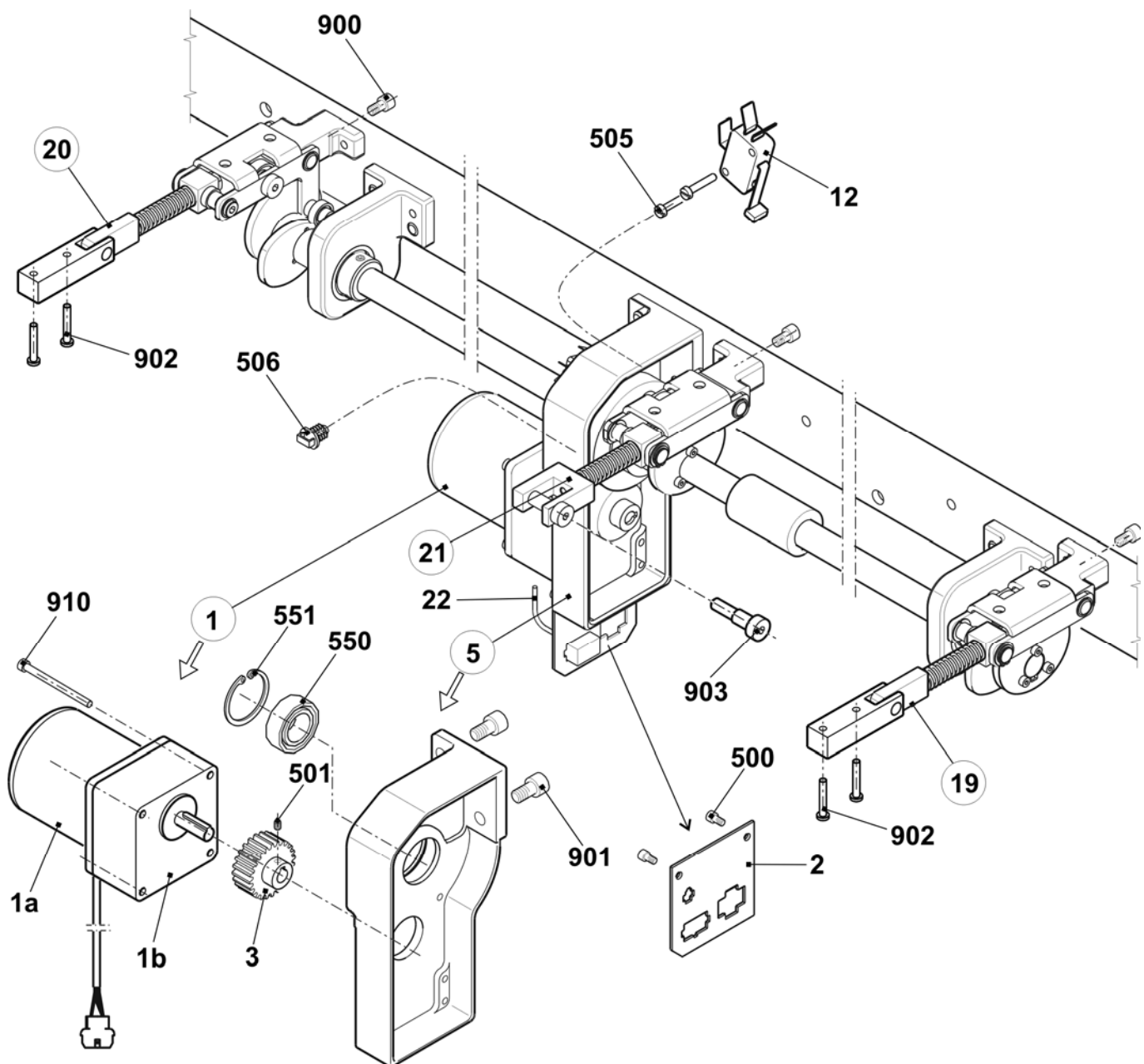
Mounting plate

Pos	Designation	ID	Pos	Designation	ID
Σ L	Mounting plate on the left complete	231 725	Σ R	Mounting plate on the right complete	240 069
1	Mounting plate on the left	231 541	1	Mounting plate on the right	240 068
2	Retaining plate on the left	231 539	2	Shoulder screw	240 067
500	Countersunk screw M5x10	023 247	3	Retaining plate on the right	240 066
501	Serrated lock washer J5.3	022 489	500	Hexagon nut M4-6	022 536
			501	Microswitch	026 259
			502	Cap screw M3x16	022 583
			503	Cap screw M5x8	244 278
			504	U-washer 5-200	020 871



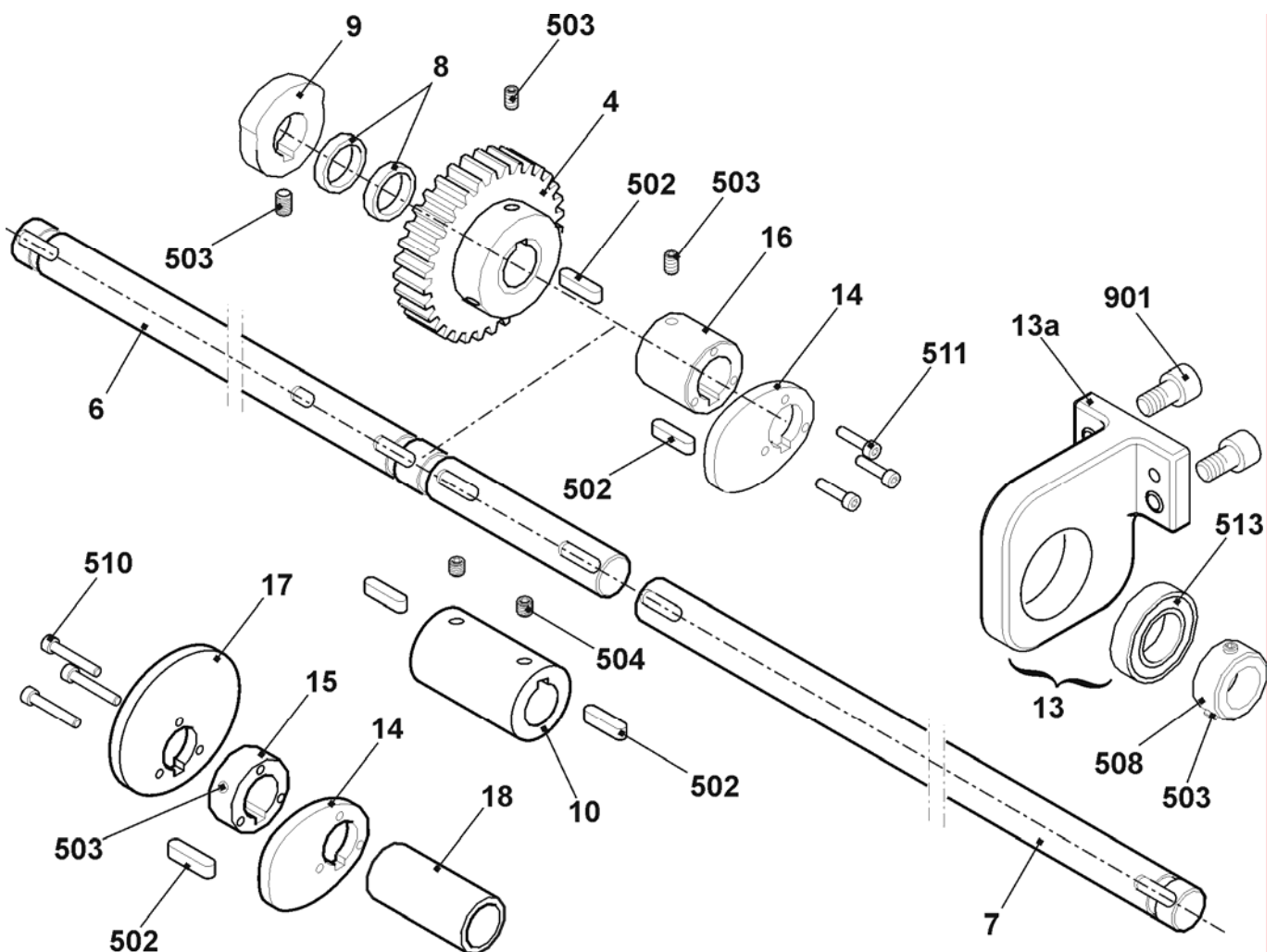
Take-down closing device

Pos	Designation	ID	Pos	Designation	ID
Σ	Main take-down on/off complete	253 935			
1	Motor complete	235 246	20	Swivel holder on the left complete	253 388
1a	Motor 25W	232 456	21	Swivel holder in the middle complete	239 188
1b	Gear	234 983	22	Cable switch HAAB open	232 442
910	Cap screw M5x55	023 321	500	Cap screw M5x8	023 319
2	Sheet metal	232 992	501	Set screw M4x4	022 875
3	Gear wheel	232 434	505	Cap screw M3x15	020 009
5	Support in the middle complete	235 247	506	Assembling element	209 543
550	Deep groove ball bearing 6004-2Z	022 720	900	Cap screw M6X14	022 658
551	Locking ring 42x1.75	023 293	901	Cap screw M10x16	023 895
12	Microswitch XGK2-S21 250 VAC	210 510	902	Screw 50x30	253 257
19	Swivel support on the right complete	253 389	903	Cap screw M10x25	023 751



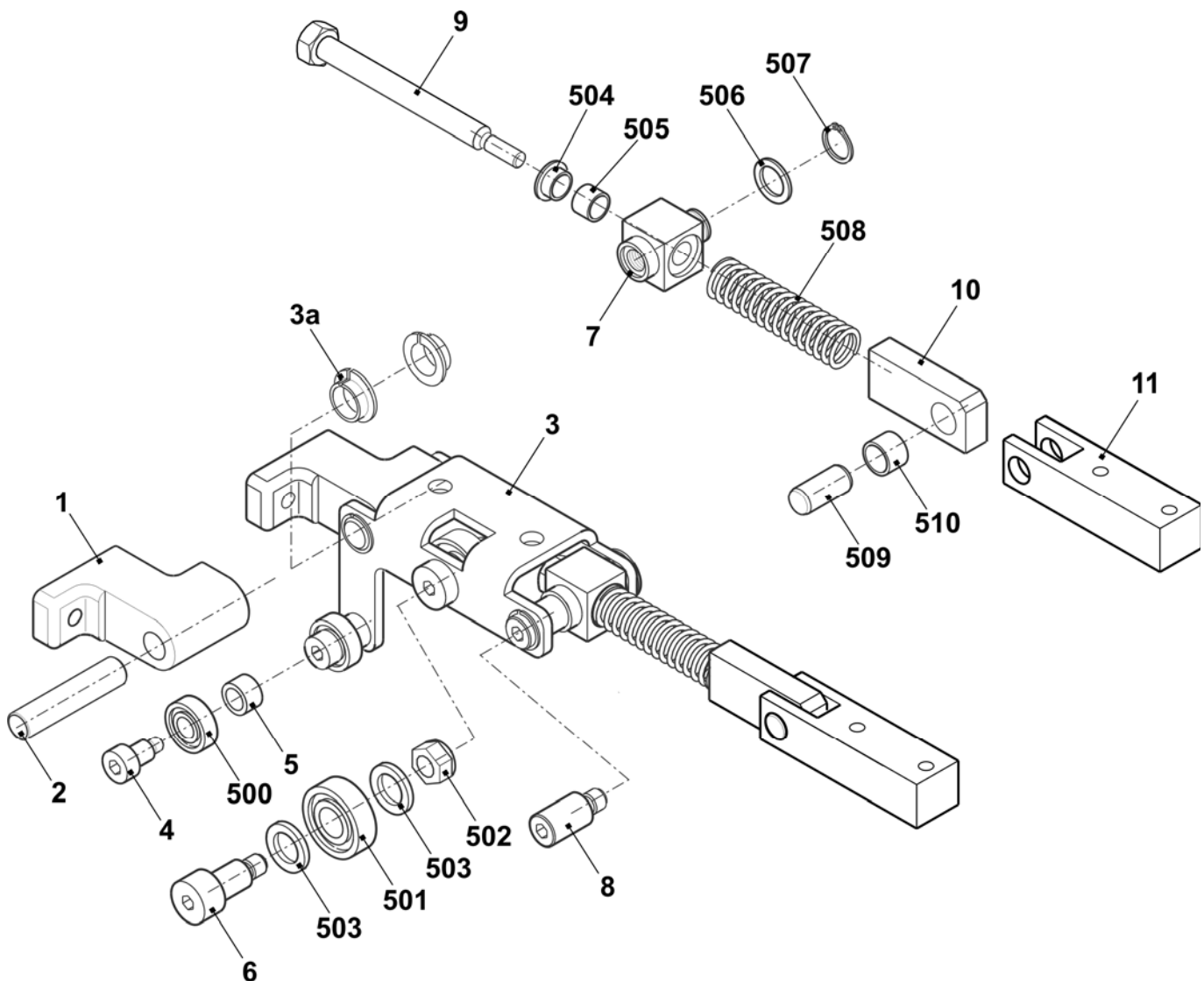
Closer shaft

Pos	Designation	ID	Pos	Designation	ID
Σ	Main take-down on/off complete	253 935	16	Guide bush	235 623
4	Gear wheel	213 744	17	Eccentric	232 382
6	Shaft	235 618	18	Distance pipe	235 128
7	Shaft	235 619	502	Feather key A 6x6x25	023 017
8	Spacer	232 385	503	Set screw M6x8	023 723
9	Trip cam	232 383	504	Set screw M6x5	023 192
10	Coupling	232 604	508	Set collar A20	020 938
13	Support on the outside complete	235 248	510	Cap screw M4x25	023 302
	13a Support	234 780	511	Cap screw M4x14	023 604
14	Eccentric	235 135	513	Deep groove ball bearing 6004-2Z	022 720
15	Guide bush	234 876	901	Cap screw M10x16	023 895



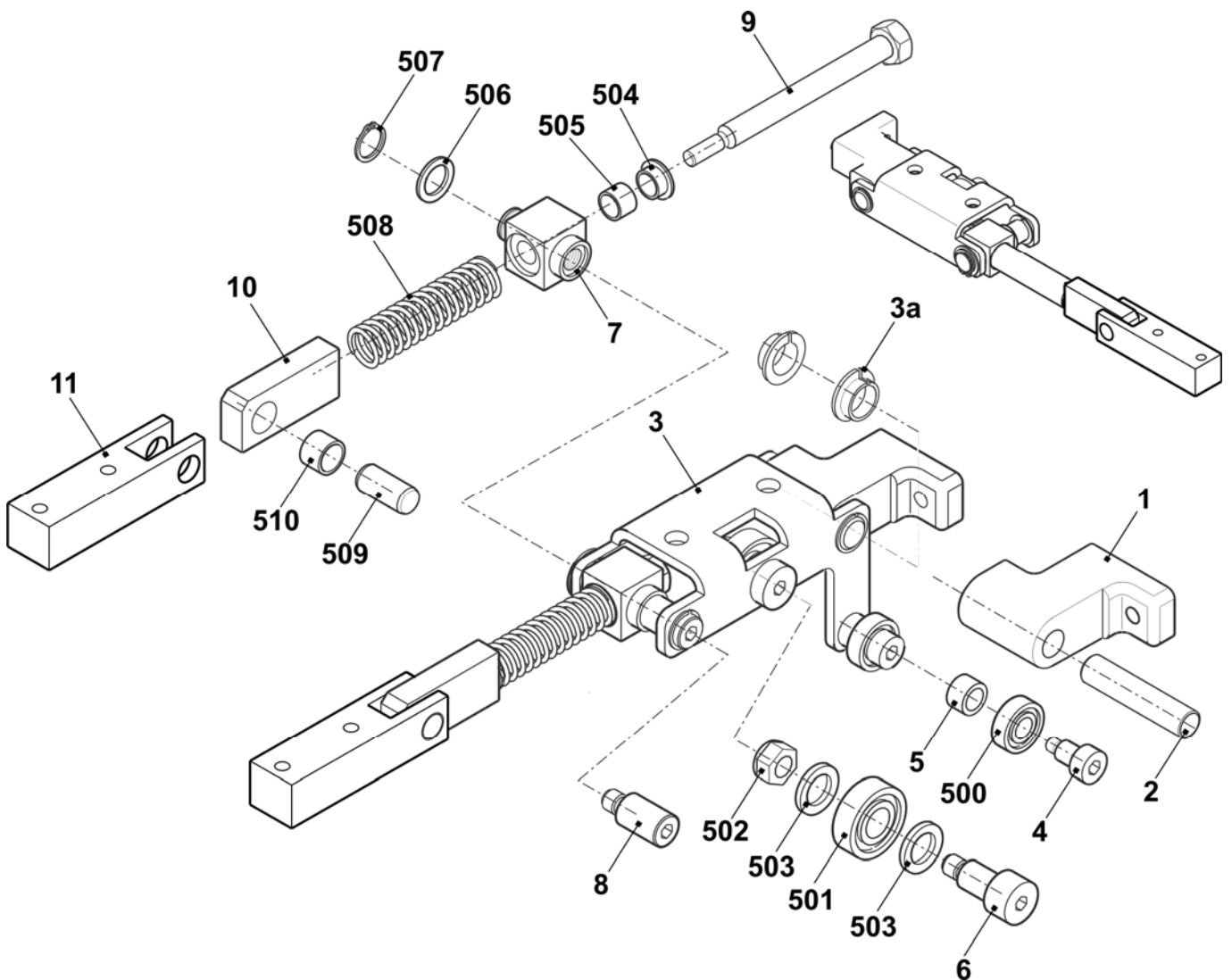
Right swivel support

Pos	Designation	ID	Pos	Designation	ID
Σ	Swivel support on the right complete	253 389	11	Lever	253 199
1	Support	239 163	500	Deep groove ball bearing 619/8-2RS	023 728
2	Bearing pin	239 164	501	Deep groove ball bearing 6000-2Z	022 599
3	Bow	238 974	502	Hexagon nut M8-8	022 843
3a	Clip bearing 11-MCM-12-04	023 639	503	Adjusting washer 10x16x2	023 600
4	Shoulder screw	239 133	504	Slide bearing GFM-081014-06	023 358
5	Distance bush	239 134	505	Slide bearing GSM-0810-10	023 896
6	Shoulder screw	239 132	506	Shim ring 12x18x1	023 315
7	Swivel-mounted bearing	239 100	507	Locking ring 12x1	020 951
8	Bearing bolt	239 117	508	Compression spring 2.5x12.5x67.5	023 743
9	Spring mandrel on the inside	232 388	509	Dowel pin 10x20	023 616
10	Lever	238 370	510	Slide bearing GSM-1012-10	239 178



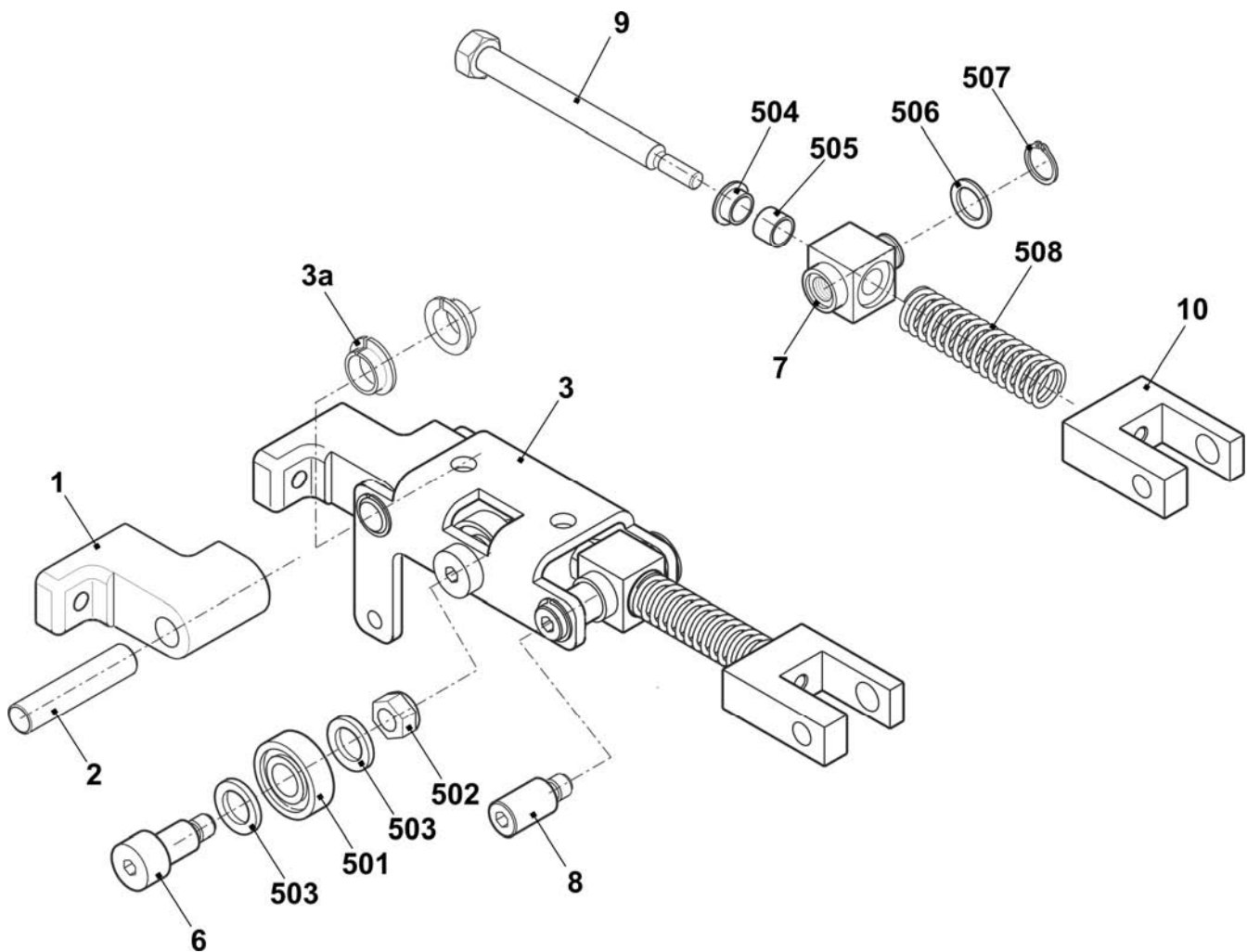
Left swivel holder

Pos	Designation	ID	Pos	Designation	ID
Σ	Swivel holder on the left complete	253 388	11	Lever	253 199
1	Support	239 163	500	Deep groove ball bearing 619/8-2RS	023 728
2	Bearing pin	239 164	501	Deep groove ball bearing 6000-2Z	022 599
3	Bow on the left	239 184	502	Hexagon nut M8-8	022 843
	3a Clip bearing 11-MCM-12-04	023 639	503	Adjusting washer 10x16x2	023 600
4	Shoulder screw	239 133	504	Slide bearing GFM-081014-06	023 358
5	Spacer	239 134	505	Slide bearing GSM-0810-10	023 896
6	Shoulder screw	239 132	506	Shim ring 12x18x1	023 315
7	Swivel-mounted bearing	239 100	507	Locking ring 12x1	020 951
8	Bearing bolt	239 117	508	Compression spring 2.5x12.5x67.5	023 743
9	Spring mandrel on the inside	232 388	509	Dowel pin 10x20	023 616
10	Lever	238 370	510	Slide bearing GSM-1012-10	239 178

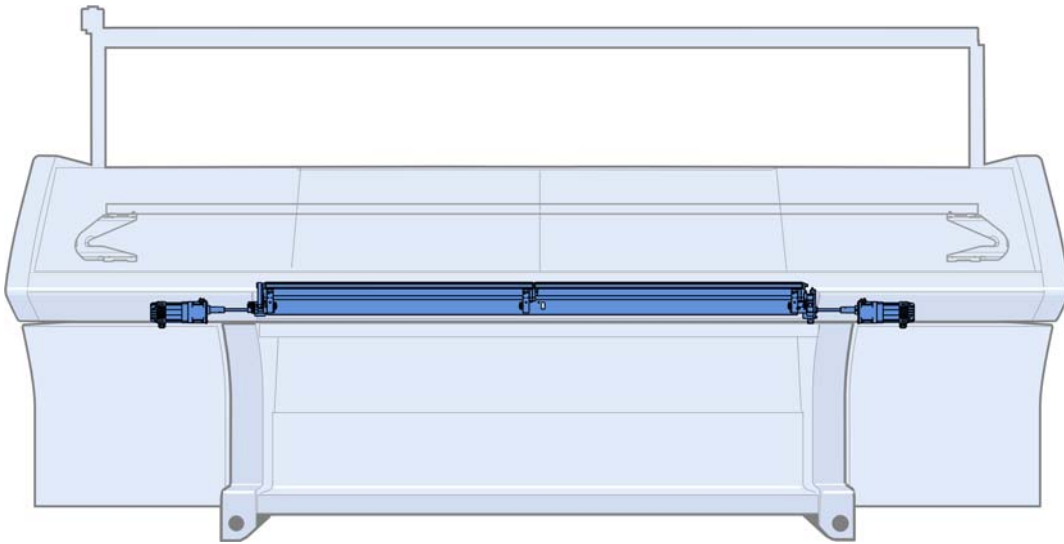


Swivel holder in the middle

Pos	Designation	ID	Pos	Designation	ID
Σ	Swivel holder in the middle complete	239 188	10	Angle	238 778
1	Support	239 163	501	Deep groove ball bearing 6000-2Z	022 599
2	Bearing pin	239 164	502	Hexagon nut M8-8	022 843
3	Bow	238 974	503	Adjusting washer 10x16x2	023 600
3a	Clip bearing 11-MCM-12-04	023 639	504	Slide bearing GFM-081014-06	023 358
6	Shoulder screw	239 132	505	Slide bearing GSM-0810-10	023 896
7	Swivel-mounted bearing	239 100	506	Shim ring 12x18x1	023 315
8	Bearing bolt	239 117	507	Locking ring 12x1	020 951
9	Spring mandrel on the inside	232 388	508	Compression spring 2.5x12.5x67.5	023 743

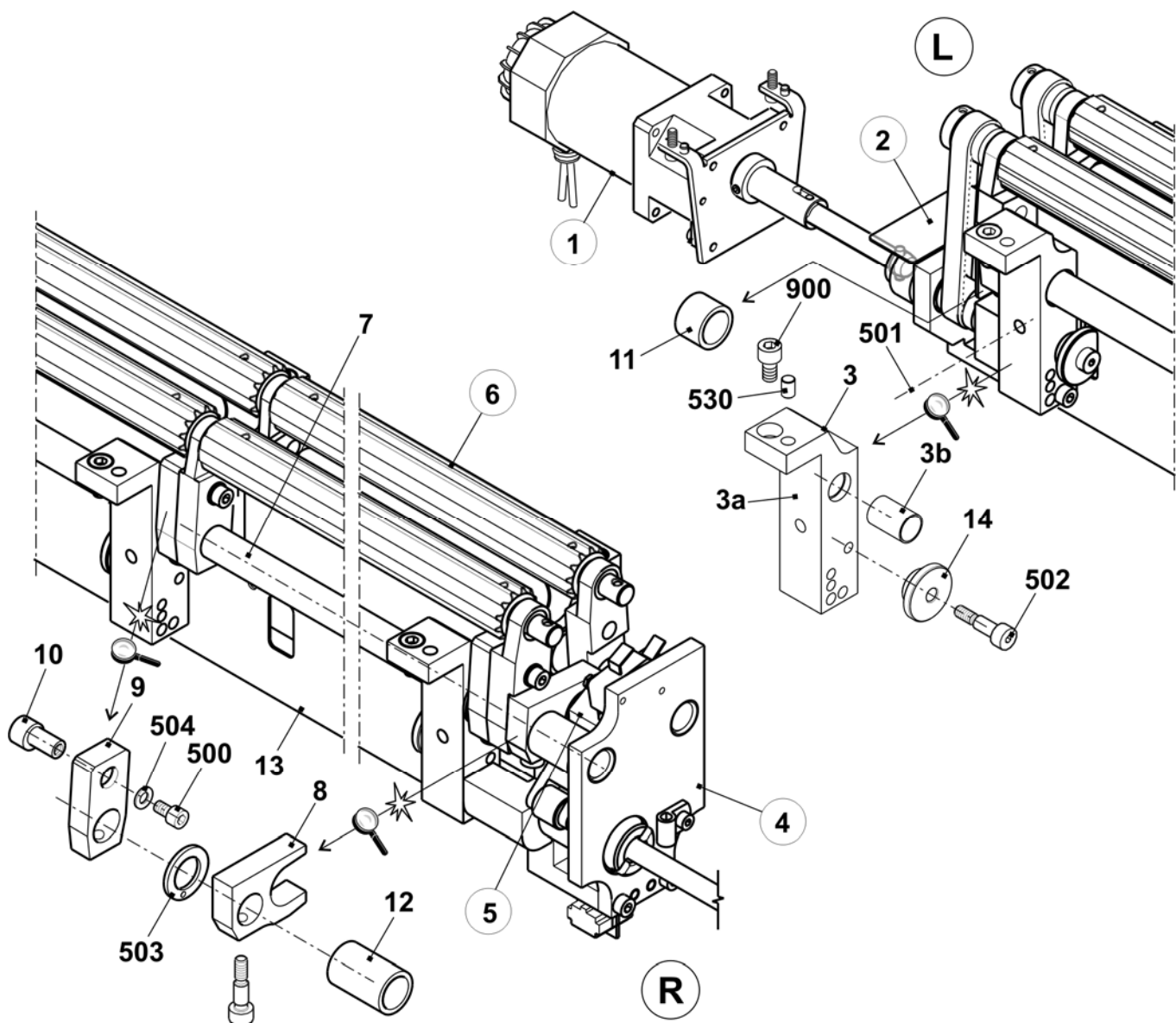


Auxiliary take-down



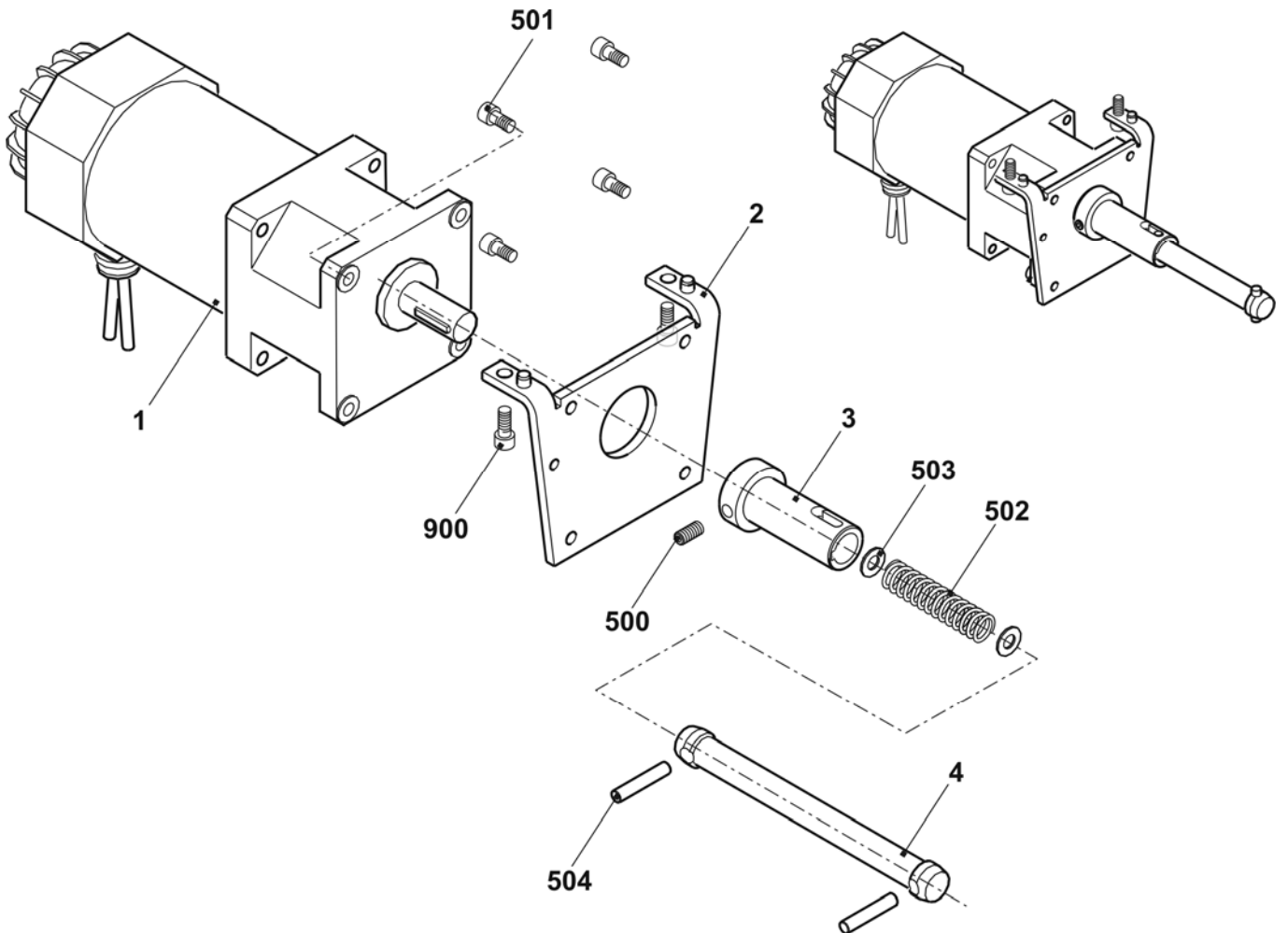
Auxiliary take-down

Pos	Designation	ID	Pos	Designation	ID
Σ	Auxiliary take-down complete	235 093	9	Clamping lever	235 156
1	Motor auxiliary take-down complete	235 602	10	Eccentric	236 952
2	Bearing on the left	236 894	11	Distance pipe	235 189
3	Support complete	235 354	12	Distance pipe	235 192
	3a Support	235 150	13	Cover plate	235 596
	3b Slide bearing FSM-1517-20	237 060	14	Roll	235 178
	530 Dowel pin 6M6x10	023 268	500	Cap screw M5x10	022 918
4	Bearing on the right	235 353	501	Pan-head screw M4x8	023 579
5	Contact lever complete	235 356	502	Cap screw 6x10-12.9	235 448
6	Take-down roller complete	235 601	503	Stop disc GTM-1524-015	235 447
7	Contact shaft	235 595	504	Disc 5	020 871
8	Lever	235 164	900	Cap screw M6x12	020 134



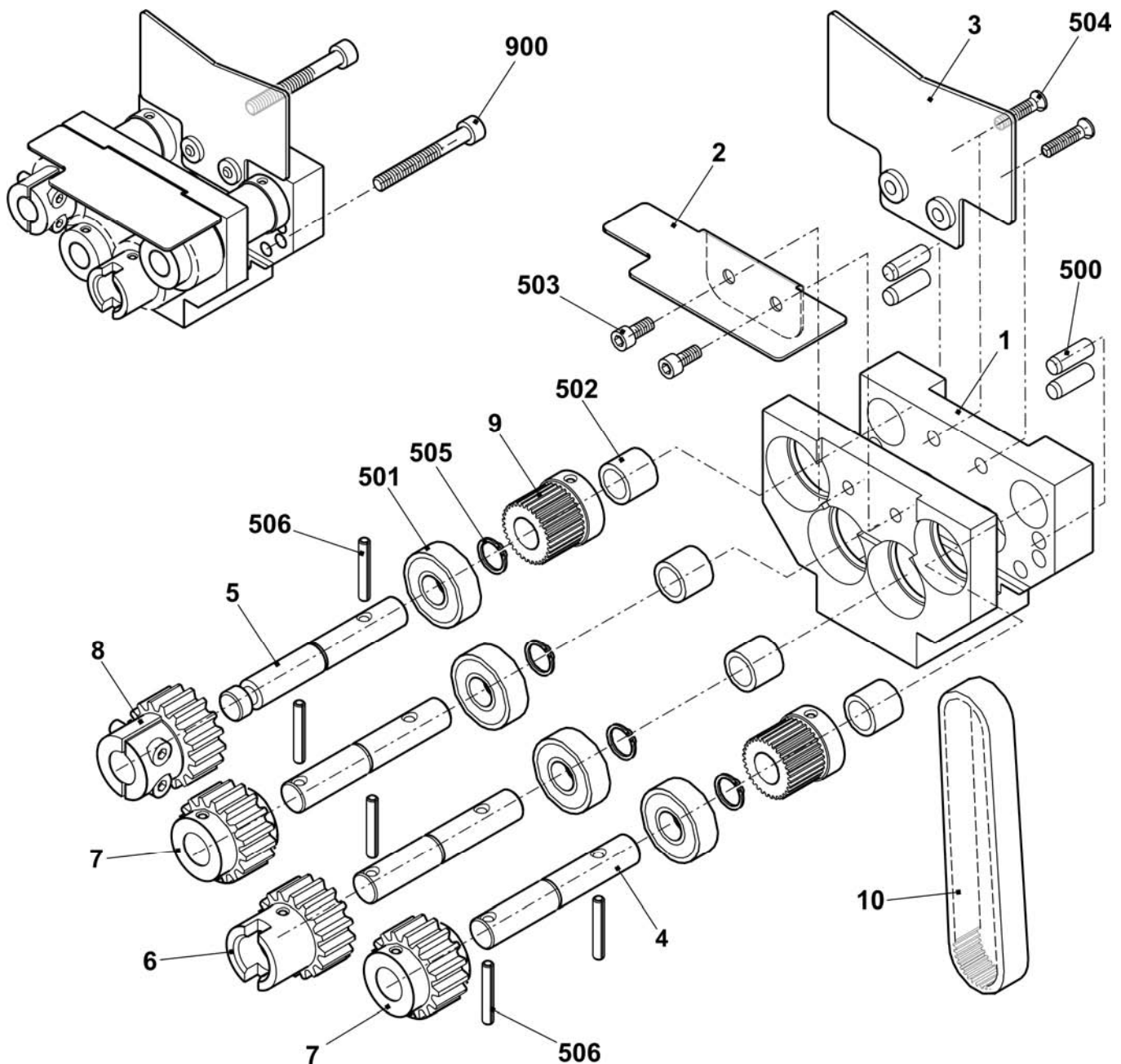
Motor

Pos	Designation	ID	Pos	Designation	ID
Σ	Motor with 2 phases auxiliary take-down co.	235 602			
1	Motor 1.8NM 30MIN-1	234 805	501	Cap screw M6x16	020 135
2	Motor bracket	235 276	502	Compression spring 0.63x10.97x40	023 500
3	Drive sleeve	235 285	503	Adjusting washer 6x12x1	023 444
4	Shaft	235 300	504	Dowel pin 5x22-A-ST	023 716
500	Set screw M6x10	023 543	900	Cap screw M6x12	020 134



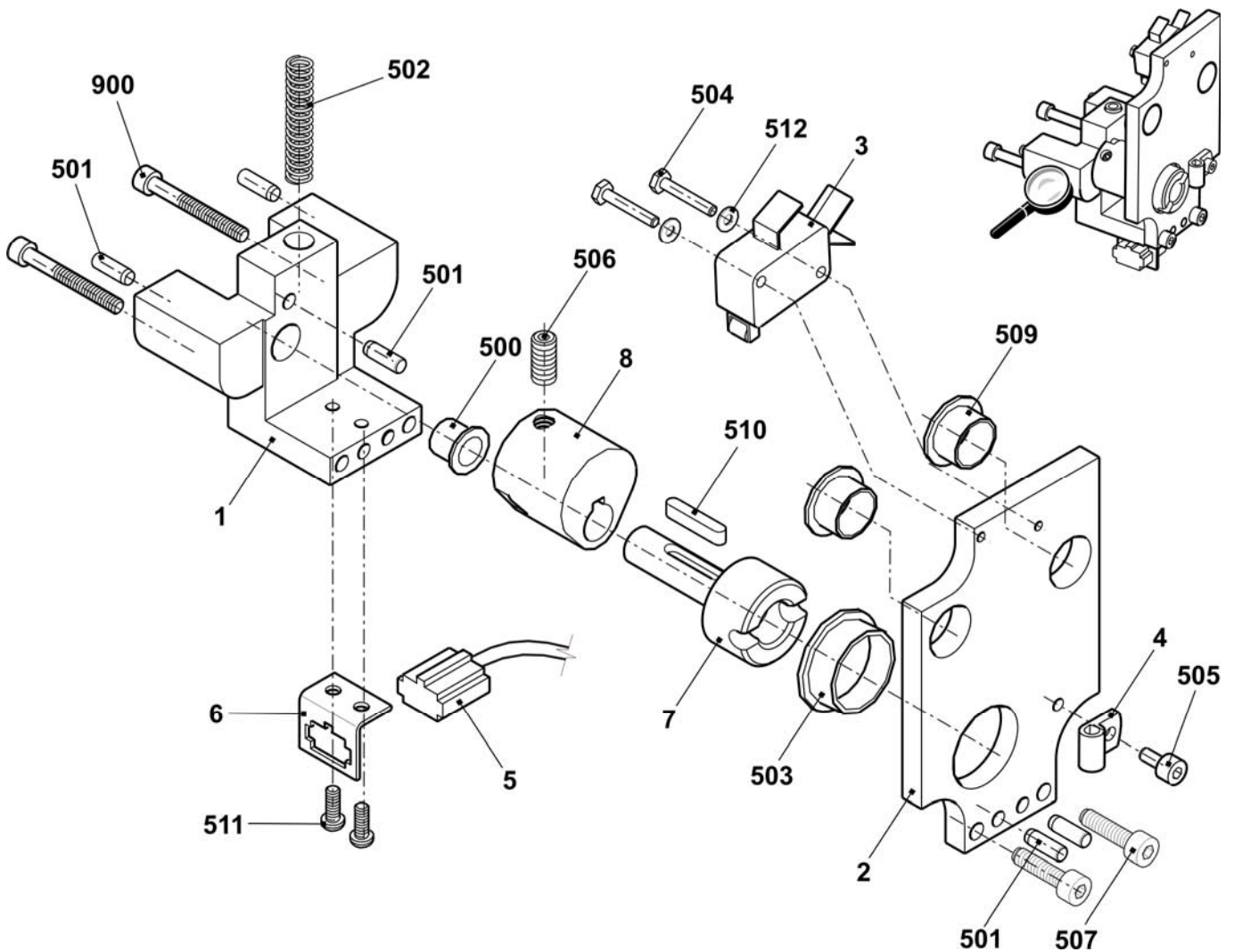
Left bearing of the auxiliary take-down

Pos	Designation	ID	Pos	Designation	ID
Σ	Bearing on the left	236 894			
1	Drive bearing	237 422	9	Timing belt pulley	237 043
	500 Setting pin 5x12	021 988	10	Toothed belt HPS5M NG CLEAN	237 118
2	Cover plate	236 970	501	Deep groove ball bearing 61900-2RS1	023 714
3	Cover plate	237 037	502	Needle roller bearing 10x14x10	023 664
4	Bolt	236 964	503	Cap screw M4x8	022 501
5	Bolt	236 963	504	Countersunk screw M4x12	023 062
6	Gear wheel	236 914	505	Locking ring 10x1	020 950
7	Gear wheel	236 916	506	Spring dowel sleeve 3x18	237 059
8	Gear wheel	236 917	900	Cap screw M5x35	022 879



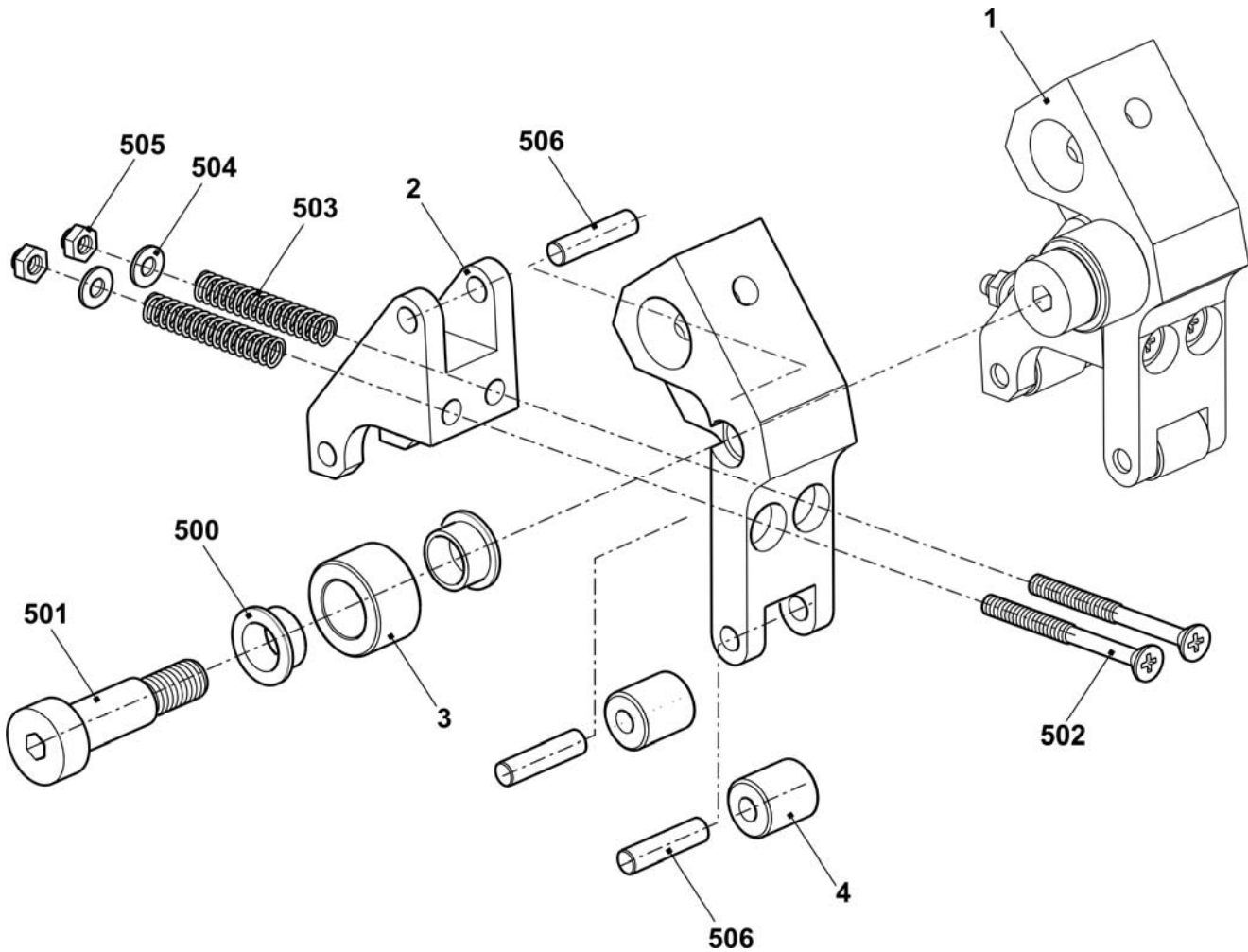
Right bearing of the auxiliary take-down

Pos	Designation	ID	Pos	Designation	ID
Σ	Bearing on the right	235 353	502	Compression spring 1.6x6.4x27.1	023 288
1	Bearing on the right	237 520	503	Slide bearing GFM-2427-07	023 712
	501 Setting pin 5x12	021 988	504	Hexagon screw M3x16	237 058
2	Plate	235 168	505	Cap screw M4x8	022 501
3	Microswitch	026 259	506	Set screw M6x12	023 724
4	Cable clip N-3B 5 mm	210 729	507	Cap screw M5x16	022 726
5	Cable switch HIAB ST468	235 027	509	Slide bearing GFM-1517-09	235 342
6	Sheet metal for plug	236 068	510	Feather key A 4x4x20	235 349
7	Shaft	235 159	511	Pan-head screw M4x8	023 579
8	Eccentric	235 165	512	U-washer 3	020 877
500	Slide bearing GFM-101216-09	023 356	900	Cap screw M5x35	022 879



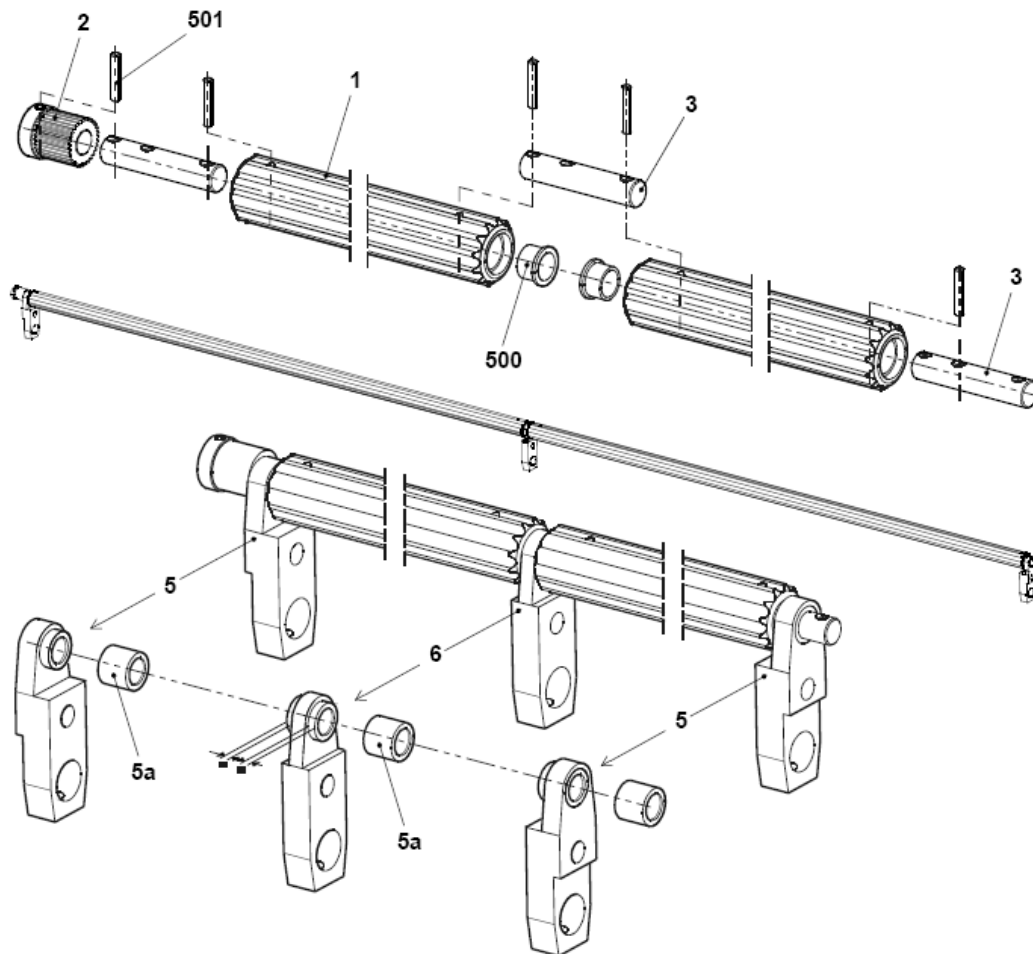
Contact lever

Pos	Designation	ID	Pos	Designation	ID
Σ	Contact lever complete	235 356	501	Cap screw 10x16-12.9	023 748
1	Lever	235 172	502	Countersunk screw 1-M4x45	023 291
2	Tilting lever	235 173	503	Compression spring 1.6x6.4x27.1	023 288
3	Roller	235 176	504	Washer 4-200HV	020 870
4	Roll	235 171	505	Hexagon nut M4-8	023 046
500	Slide bearing GFM-10x1216-06	023 280	506	Dowel pin 5x22-A-ST	023 716

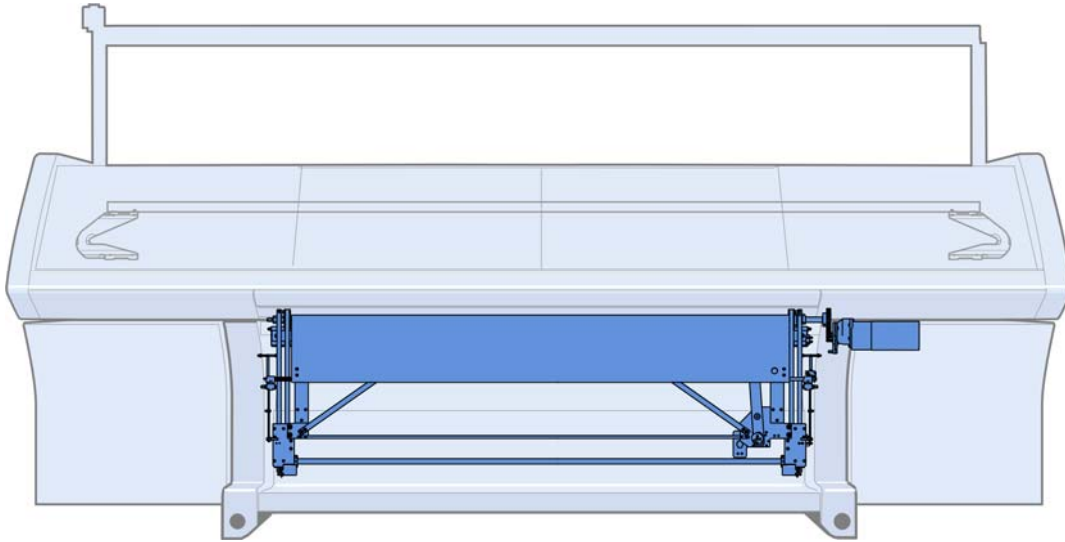


Take-down roller

Pos	Designation	ID	Pos	Designation	ID
Σ	Take-down roller complete	235 601	6	Lever bearing in the middle co.	235 359
1	Take-down roller	236 957	500	Slide bearing GFM-101214-07	023 627
2	Timing belt pulley	237 043	501	Spring dowel sleeve 3x18	237 059
3	Bolt	236 973			
5	Lever bearing on the right/left co.	235 358			
5a	Needle roller bearing 10x14x12	023 665			

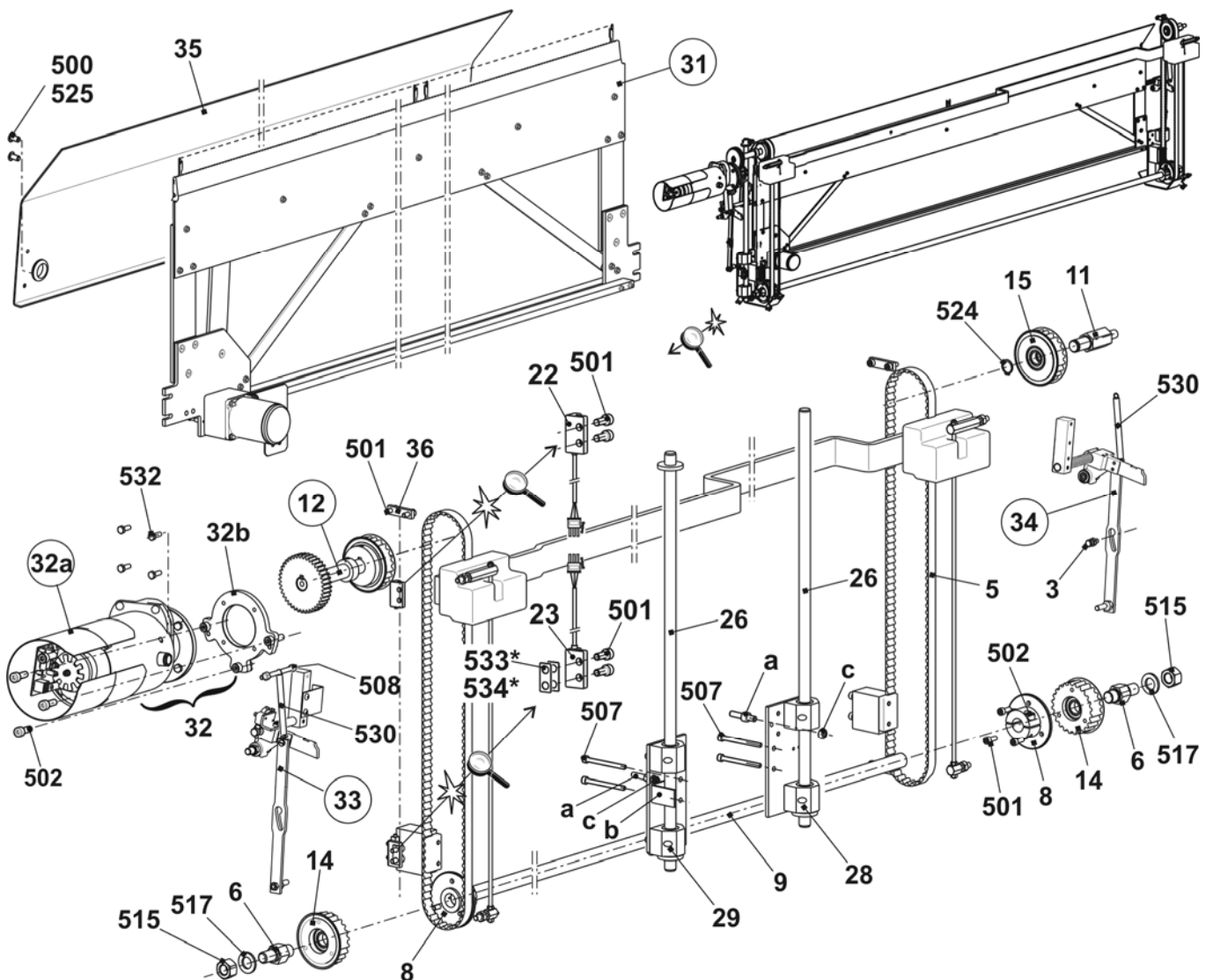


Comb take-down



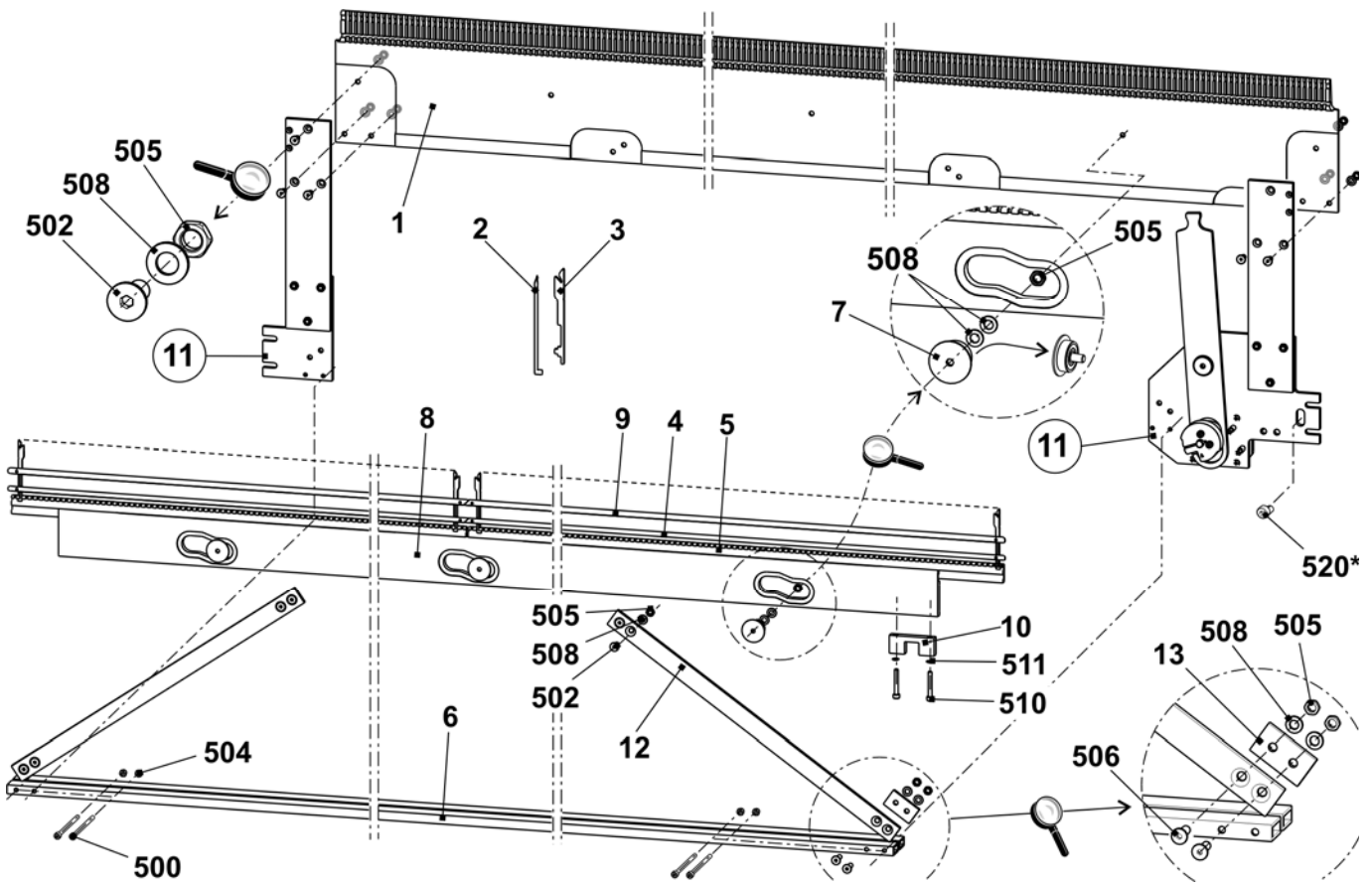
Comb take-down

Pos	Designation	ID	Pos	Designation	ID
Σ	Comb take-down E12 + E6.2	243 393	31	Comb unit E12 + E6.2	243 403
	Comb take-down E14 + E7.2	243 394		Comb unit E12 + E6.2	243 404
3	Bolt	222 152	32	Motor take-down + comb	214 279
5	Toothed belt	240 065	33	Swivel lever on the right	252 858
6	Eccentric pin	222 320	34	Swivel lever on the left	252 859
8	Flange	207 695	35	Guide plate	252 829
9	Shaft long	218 532	36	Clamping plate	227 159
11	Bolt	207 689	500	Cap screw M6x16	020 135
12	Drive shaft comb complete	214 583	501	Countersunk screw M5x10	023 247
14	Timing belt pulley at the bottom complete	211 822	502	Cap screw M8X25	020 142
15	Timing belt pulley at the top complete	211 823	507	Hexagon screw M6x65	240 162
22	Proximity switch at the top complete	231 516	508	Cap screw M6x45	022 689
23	Proximity switch at the bottom complete	231 520	515	Hexagon nut	020 845
28	Comb guide on the left (a and c see below)	253 778	517	U-washer	020 876
29	Comb guide on the right	253 777	524	Locking ring 17x1	023 299
a	Pulling pin	255 226	525	Serrated lock washer	022 489
b	Angle	240 112	530	Tension spring 15x1.50x70.94	251 614
c	Hexagon nut	020 855	533*	Shim 0.2x12x27	023 735
			534*	Shim 0.5x12x27	023 736



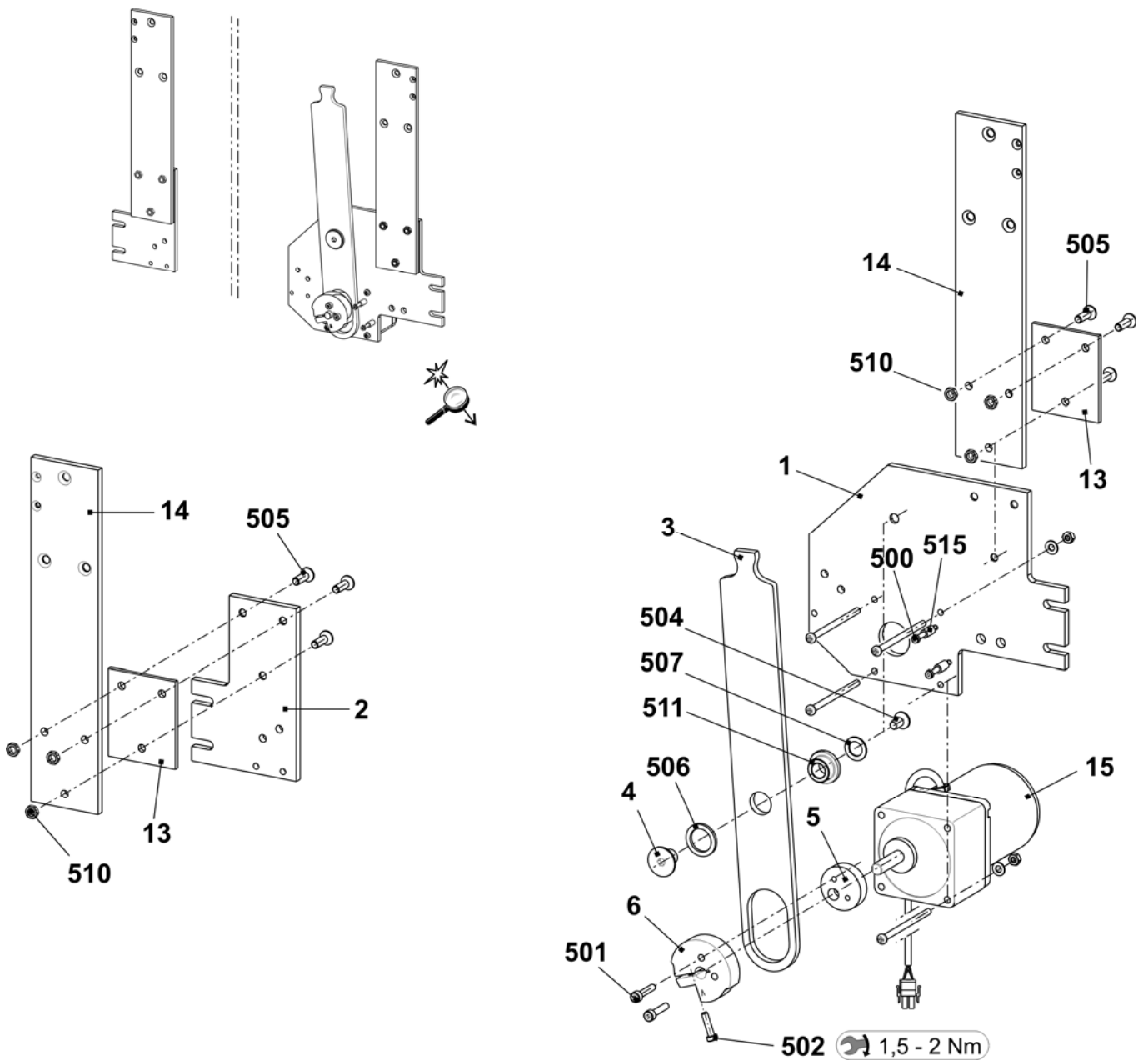
Comb unit

Pos	Designation	ID	Pos	Designation	ID
Σ	Comb unit E12 + E6.2	243 403	9	Cover rail	222 861
	Comb unit E14 + E7.2	243 404	10	Plunger	205 678
1	Hook bed E12 + E6.2	218 562	11	Switch lever complete	240 060
	Hook bed E14 + E7.2	218 563	12	Strut	218 740
2	Closer E12-E14	230 106	13	Intermediate plate	218 742
3	Body E12-E14	230 094	500	Cap screw M4x50	023 102
4	Cover rail	218 549	502	Countersunk head screw M5x12	023 340
5	Hook slide E12 + E6.2	221 298	504	Hexagon nut M4-8	023 046
	Hokk slider E14 + E7.2	221 297	505	Hexagon nut M5-04	020 854
6	Stabilizator	218 555	508	U-washer 5-200	020 871
7	Collar bolt complete	211 036	510	Cap screw M4x30	023 290
8	Cross slider	218 552	511	Circlip	022 774



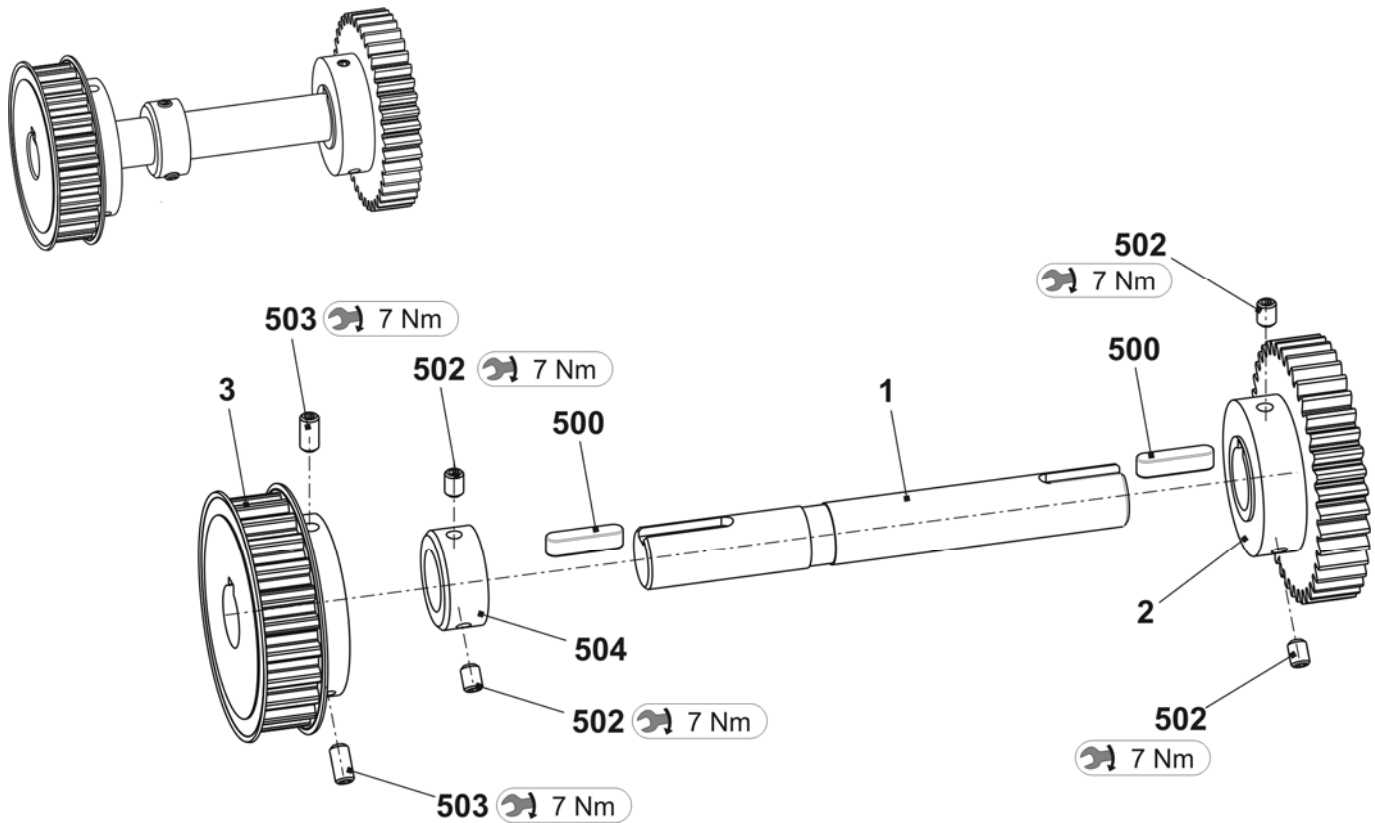
Switch lever comb take-down

Pos	Designation	ID	Pos	Designation	ID
Σ	Switch lever complete	240 060	500	Cap screw M3x25	023 093
1	Screwing plate on the right	240 058	501	Cap screw M4x20	023 171
2	Screwing plate on the left	240 059	502	Cap screw M4x16	023 123
3	Lever	215 228	504	Countersunk screw M6x12	023 435
4	Bearing bolt	215 675	505	Countersunk screw M5x16	023 417
5	Eccentric	205 681	506	Shim ring 16x22x2	023 449
6	Tension lifter	215 287	507	Adjusting washer 10x16x1	023 260
13	Intermediate plate	213 980	510	Hexagon nut M5	020 854
14	Retaining plate	218 977	511	Collar bearing 10x16x22	022 841
15	Motor comb hook 2 phases	244 635	515	Spacer	210 488



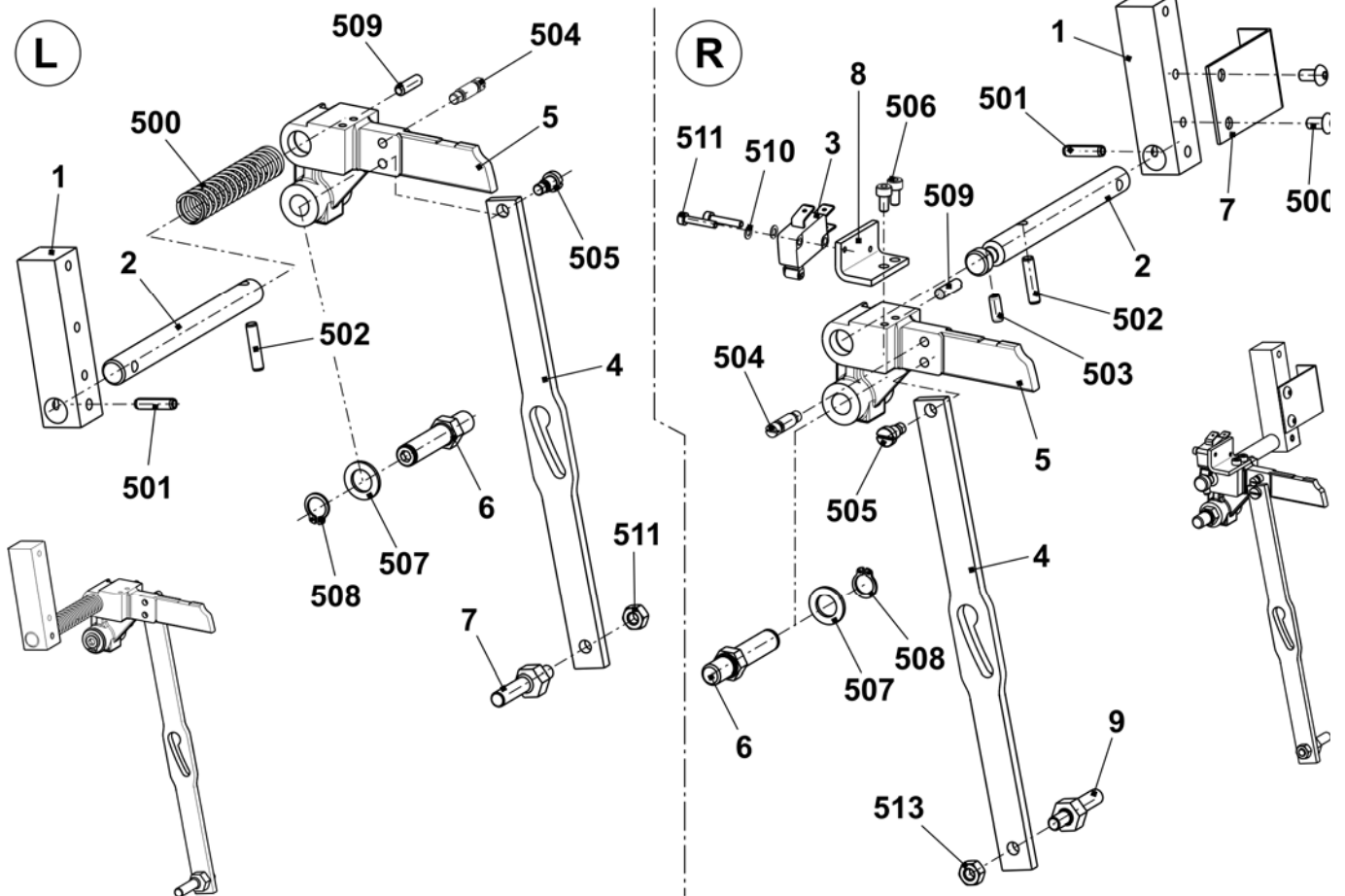
Drive shaft of comb

Pos	Designation	ID	Pos	Designation	ID
Σ	Drive shaft of comb complete	214 583			
1	Shaft	213 969	500	Feather key A 6x6x25	023 017
2	Gear wheel z=40, m=2	213 744	502	Set screw M6x8	022 684
	Always order pos. 502 additionally		503	Set screw M6x12	023 898
3	Timing belt pulley at the top	206 394	504	Set collar	020 938
	Always order pos. 503 additionally				



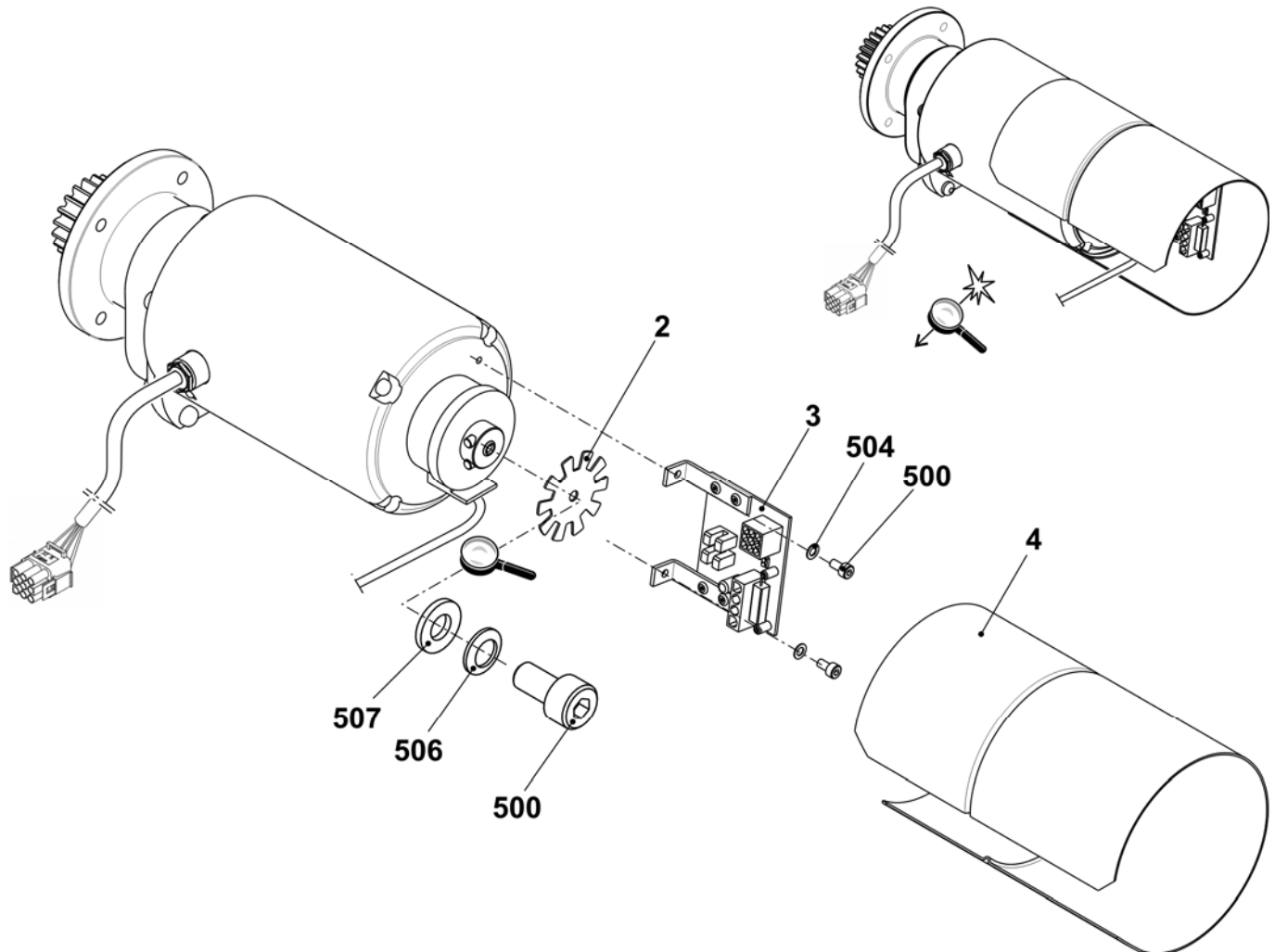
Swivel lever comb take-down

Pos	Designation	ID	Pos	Designation	ID
Σ L	Swivel lever on the left	252 859	Σ R	Swivel lever on the right	252 858
1	Support	252 780	1	Support	252 780
2	Shaft	223 994	2	Shaft	238 339
4	Plunger	251 099	3	Microswitch	026 259
5	Swivel lever	239 248	4	Plunger	251 099
6	Bolt	214 053	5	Swivel lever	239 248
7	Eccentric bolt	243 225	6	Bolt	214 053
500	Compression spring 1.4x13.6x93	023 572	7	Angle	224 009
501	Spring dowel sleeve ISO8752-5x20	020 794	8	Angle	238 304
502	Dowel pin 5x22	023 716	9	Eccentric bolt	243 225
504	Shoulder screw M5x29x35	251 618	500	Countersunk screw M5x10	023 247
505	Shoulder screw M5x5.8x6.2	023 365	501	Spring dowel sleeve 5x20	020 794
507	U-washer 10	020 884	502	Dowel pin 5x22	023 716
508	Locking ring	020 950	503	Spring dowel sleeve 5x12	020 793
509	Shoulder screw M5x12x18	020 539	504	Shoulder screw M5x29x35	251 618
511	Hexagon nut M6-6	022 899	505	Shoulder screw M5x5.8x6.2	023 365
			506	Cap screw M4x8	022 501
			507	U-washer 10	020 884
			508	Locking ring 10x1	020 950
			509	Shoulder screw M5x12x18	020 539
			510	Cap screw M3x16	022 583
			511	U-washer 3	020 877
			513	Hexagon nut M6-6	022 899

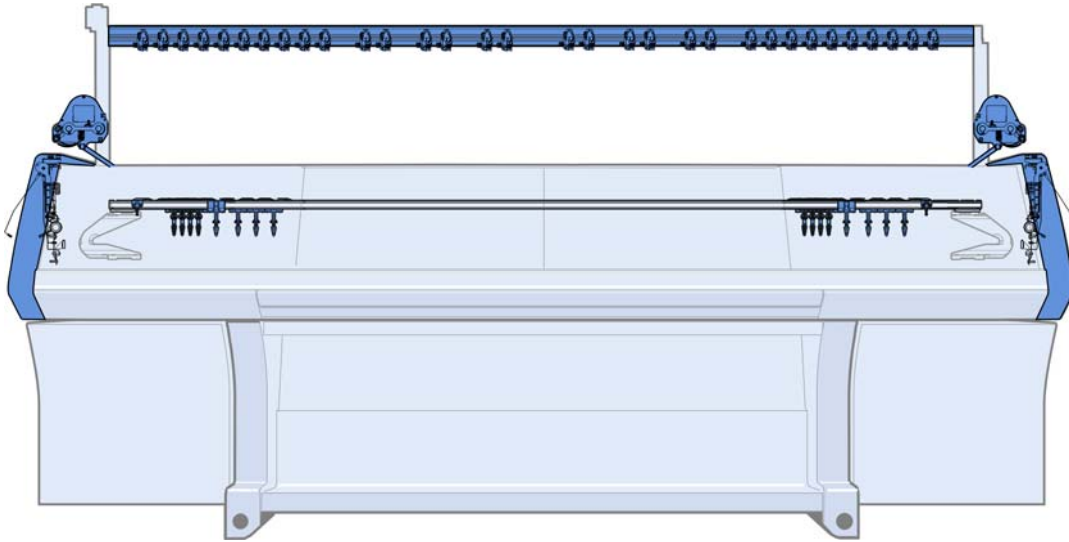


Motor take-down unit

Pos	Designation	ID	Pos	Designation	ID
Σ	Motor take-down unit	214 279	500	Cap screw M4x8	022 501
2	Impulse disc	208 716	504	U-washer 4	020 879
3	Photoelectric sensor take-down + comb	300 744	506	Circlip	022 774
4	Cover	212 262	507	Shim ring 4x8x1	023 369

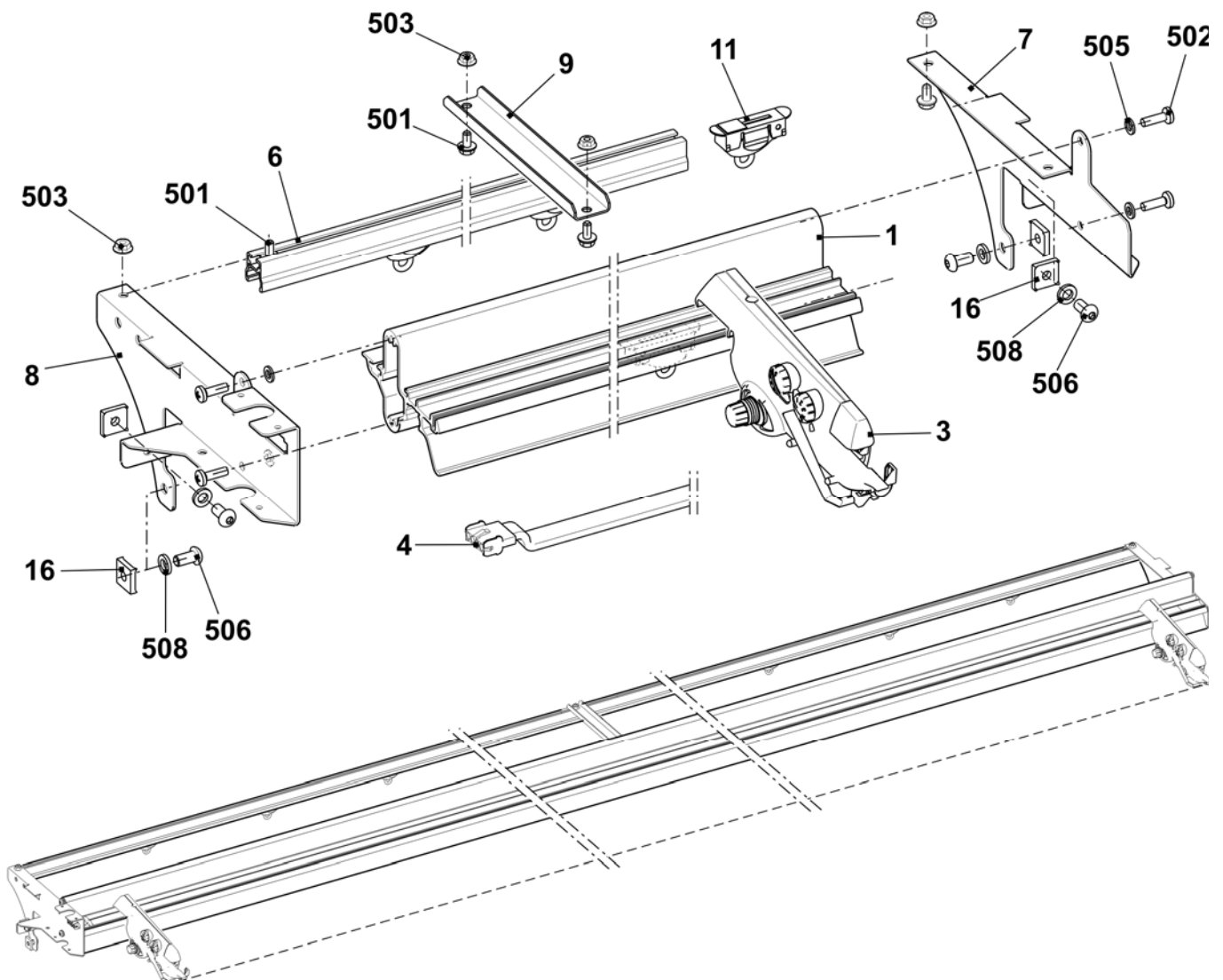


Yarn delivery device



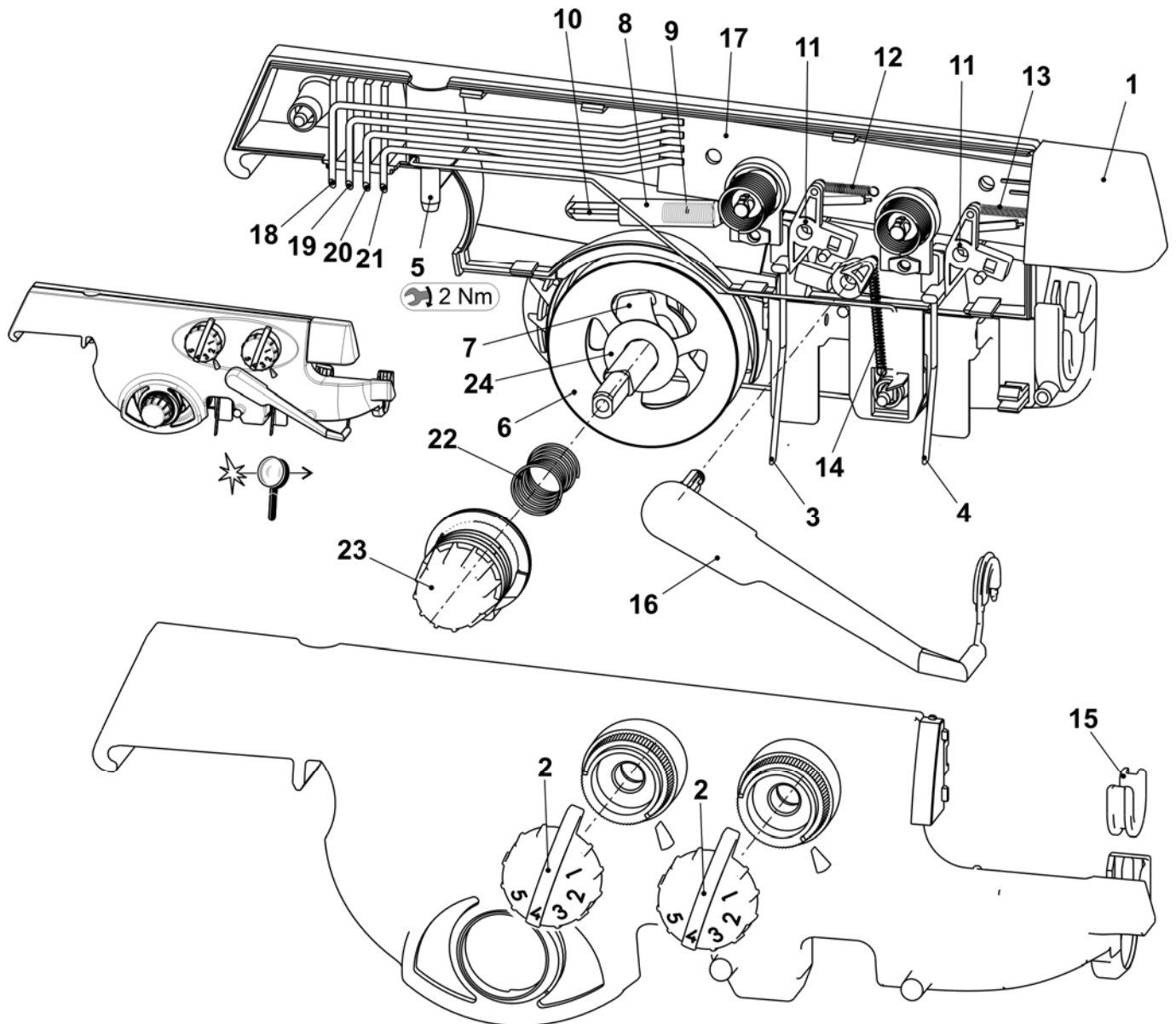
Yarn guide system with 20 and 24 FKE

Pos	Designation	ID	Pos	Designation	ID
Σ	Yarn guide system 20 FKE 72"	243 365	11	Yarn guide bracket complete	241 581
	Yarn guide system 24 FKE 72"	241 295	16	Sliding block	228 851
1	Support 72"	243 111	501	Self-locking screw M6x12	023 415
3	Yarn control device (FKE)	237 124	502	Screw M6x20	023 721
4	Connection cable FKE-3 72"	240 348	503	Ribbed safety nut M6-10	023 414
6	Yarn guide bar 72"	228 596	505	U-washer 6-200	022 431
7	Support on the right	243 601	506	Pan-head screw M8x16	023 113
8	Support on the left	243 600	508	Serrated lock washer	023 388
9	Support	243 792			



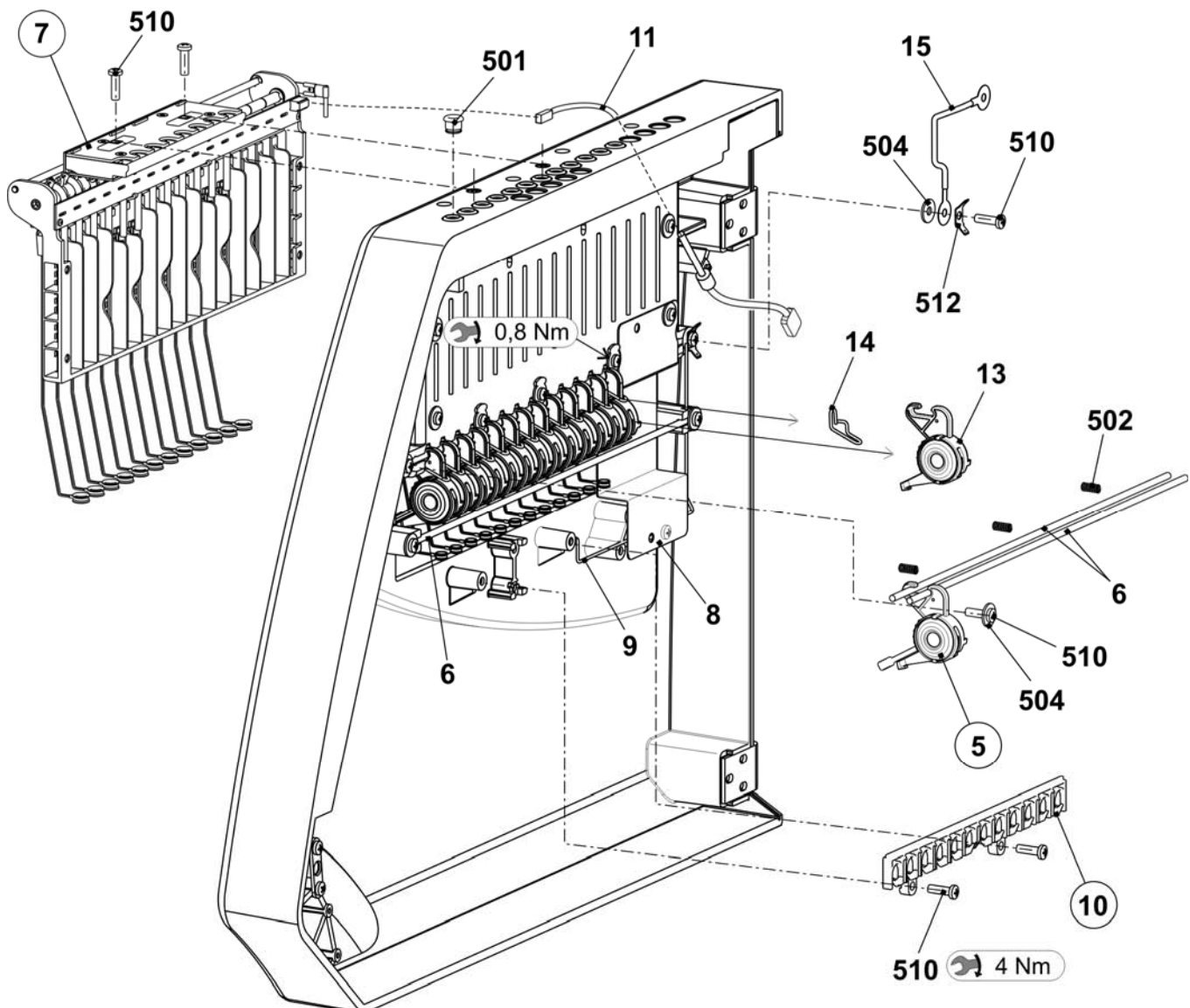
Yarn control unit

Pos	Designation	ID	Pos	Designation	ID
Σ	Yarn control unit	237 124			
1	Lamp cap	251 166	13	Tension spring	253 040
2	Rotary knob	251 167	14	Tension spring	253 041
3	Knot sensor big	251 168	15	Ceramic eyelet open	240 733
4	Knot sensor little	251 169	16	Turn off bow	253 043
5	Screw	251 170	17	Printed board	253 046
6	Yarn brake disk	216 365	18	Connector pin	253 047
7	Yarn holder	244 407	19	Connector pin	253 048
8	Sleeve	253 034	20	Connector pin	253 049
9	Compression spring	253 035	21	Connector pin	253 050
10	Pin	253 036	22	Compression spring	253 055
11	Trip cam	253 037	23	Rotary knob	253 056
12	Tension spring	253 038	24	Disc	253 057



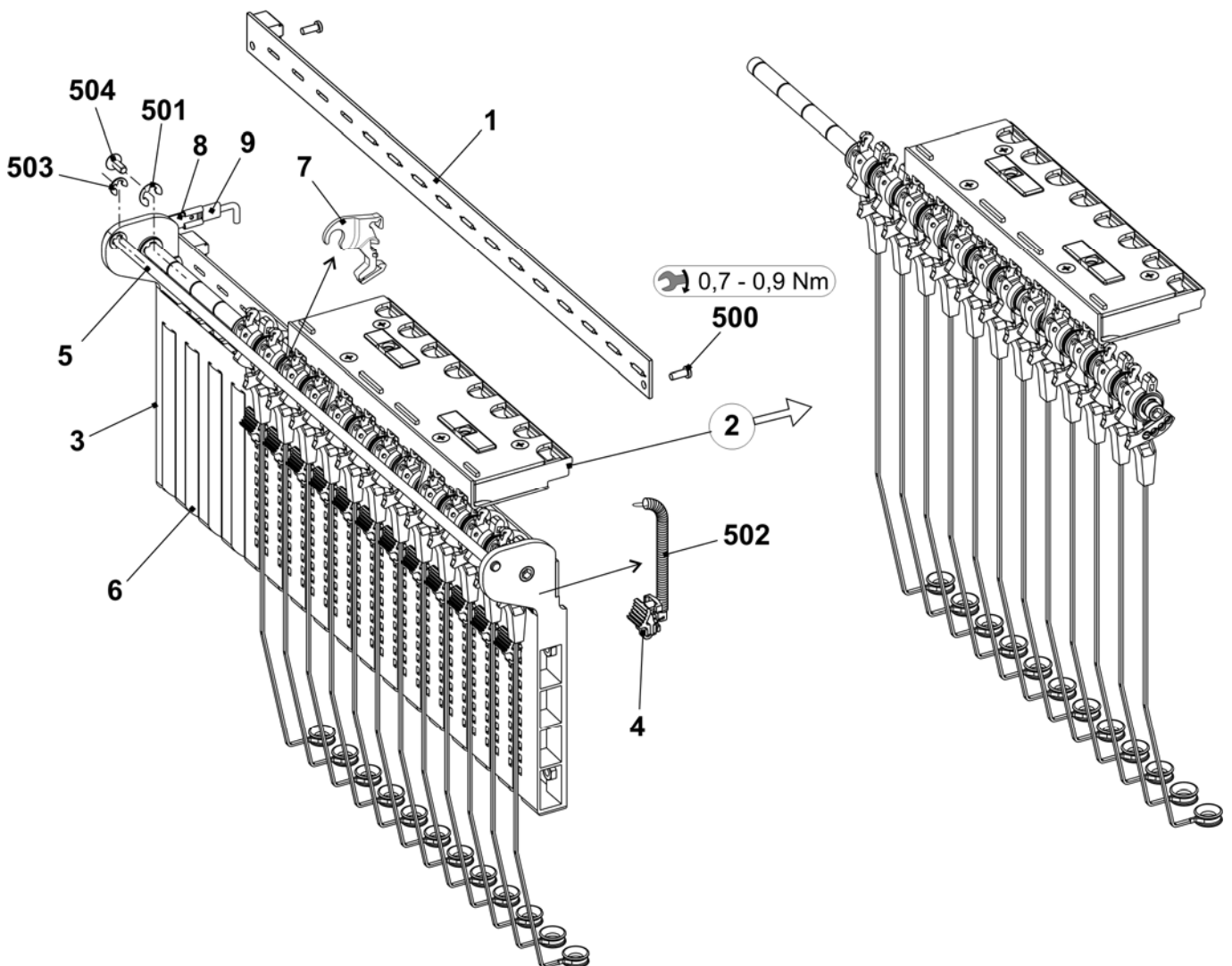
Left yarn guide

Pos	Designation	ID	Pos	Designation	ID
Σ	Safety cover on the left complete		10	Yarn deflector	242 011
	E6.2	241 272	11	Connection cable yarn tensioner OKC	240 808
	E7.2 + E6.2(12) + E7.2(14)	241 273	13	Yarn brake not adjustable	244 356
5	Yarn brake complete	244 347	14	Clamping bow	244 409
6	Shaft	241 318	15	Ground cable	244 404
7	Yarn tensioner on the left complete		501	Ceramic eyelet	240 640
	E6.2	241 364	502	Compression spring 0.90x5.40x13.60	241 360
	E7.2 + E6.2(12) + E7.2(14)	241 365	504	U-washer	022 537
8	Cover	240 783	510	Screw KB 60x20	237 682
9	Wire bow on the left	241 370	512	Flat connector 2x45° M6	243 117



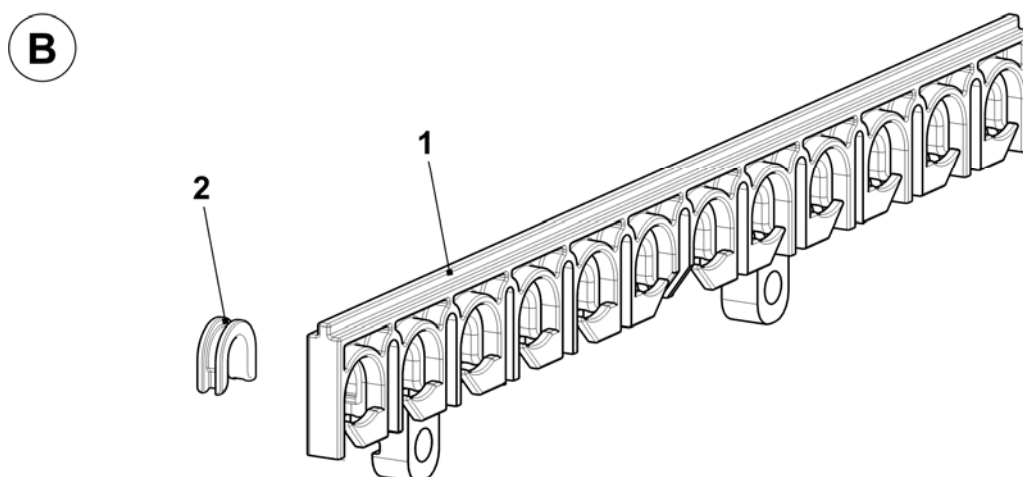
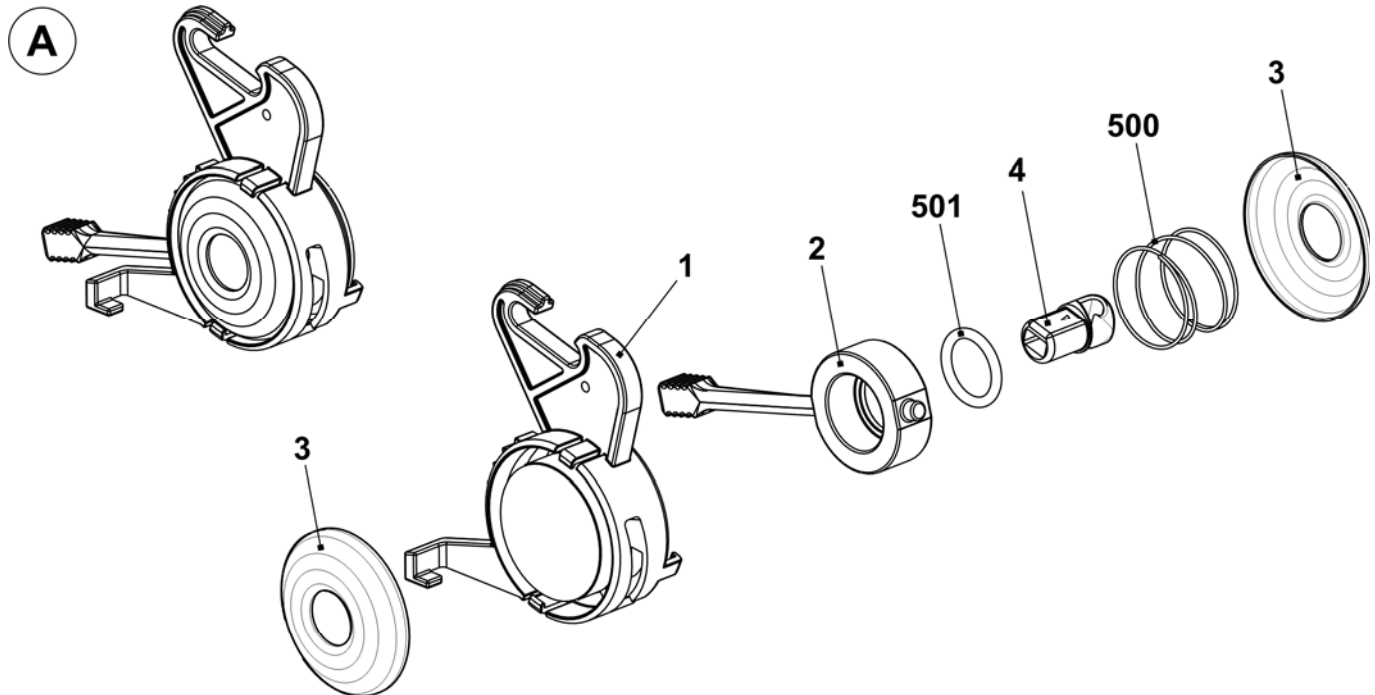
Left yarn tensioner

Pos	Designation	ID	Pos	Designation	ID
Σ	Yarn tensioner on the left complete		6	Cover	242 268
	E6.2	241 364	7	Spacer	242 048
	E7.2 + E6.2(12) + E7.2(14)	241 365	8	Grounding sheet metal of tension axle	243 121
1	Card yarn tensioner 16-fold on the left	241 345	9	Ground cable yarn tensioner OKC	243 105
2	Tension axle on the left complete		500	Screw KB 30x8	236 228
	E6.2	241 366	501	Circlip	021 022
	E7.2 + E6.2(12) + E7.2(14)	241 381	502	Tension spring 4,9x0,5x53 (E6.2)	023 503
3	Housing	241 367		Tension spring 4,9x0,45x53 (E7.2)	023 504
4	Slider	241 694	503	Circlip	021 020
5	Stop point	241 368	504	Countersunk screw M4x10	241 914



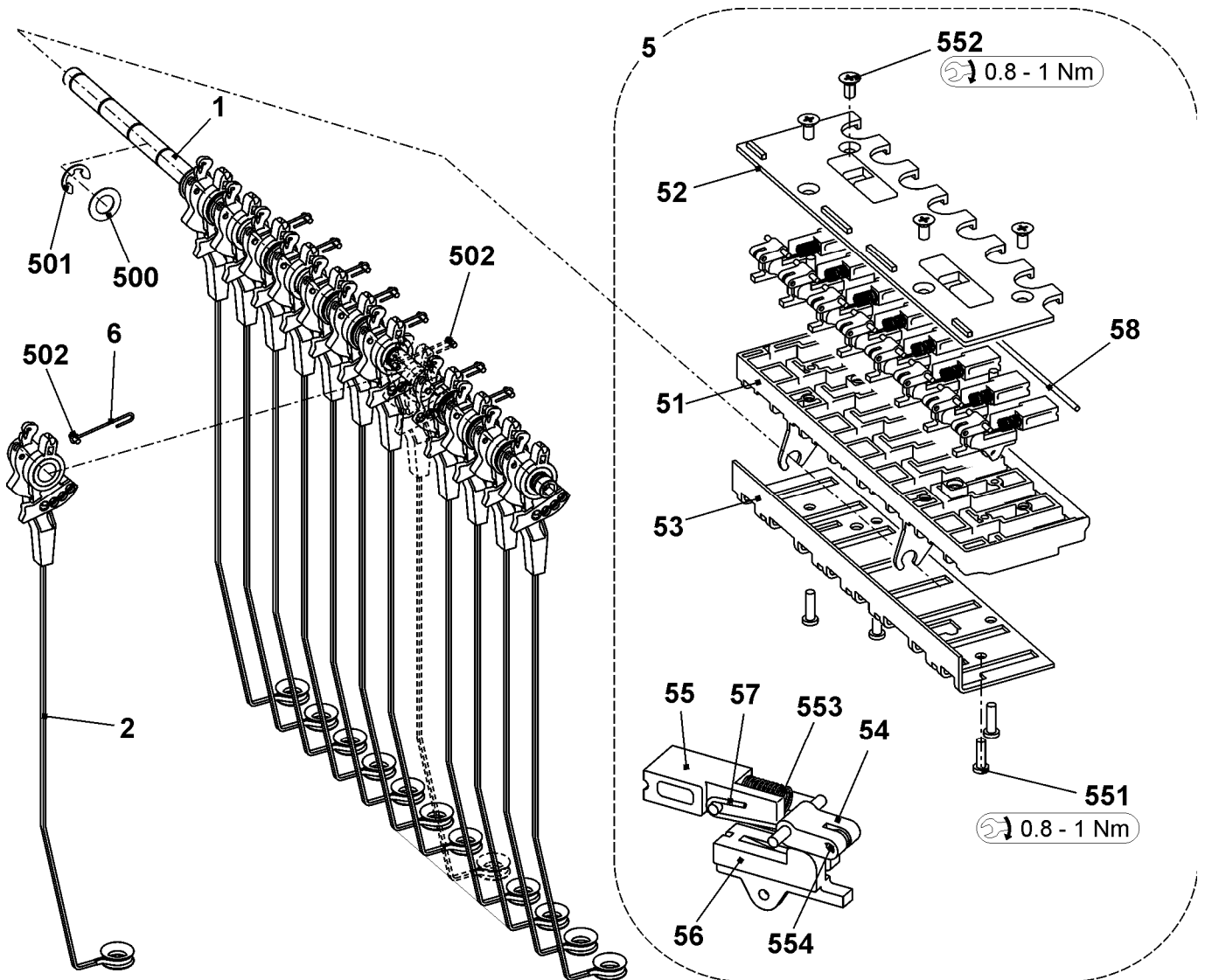
Yarn brake and yarn deflector

Pos	Designation	ID	Pos	Designation	ID
A	Yarn brake complete	244 347	B	Yarn deflector	242 011
1	Support	240 607	1	Support yarn deflector	242 009
2	Slider	240 606	2	Ceramic eyelet open	240 733
3	Brake disk	244 355			
4	Ceramic eyelet open	243 778			
500	Compression spring 0.65x20.15x14.80	241 361			
501	O-ring 11x2	241 434			



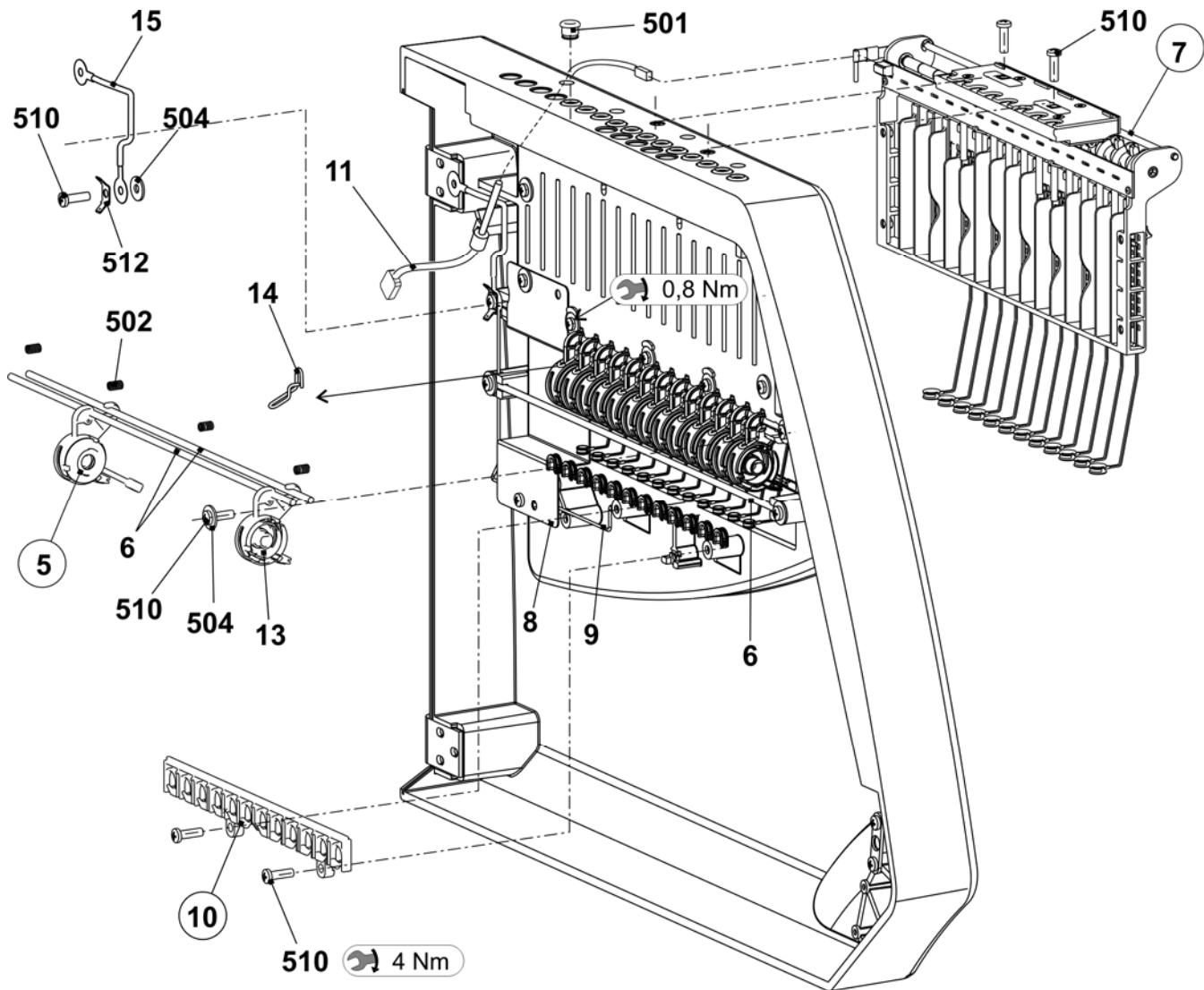
Left tension axle

Pos	Designation	ID	Pos	Designation	ID	
Σ	Tension axle on the left complete		5	Thread clamp AKF	238 695	
	E6.2	241 366		51	Housing AKF	238 689
	E7.2 + E6.2(12) + E7.2(14)	241 381		52	Cover AKF	237 926
1	Axle	243 107	53	Sheet metal at the bottom (housing AKF)	240 719	
2	Tension arm pre-assembled		54	Lever AKF	238 692	
	E6.2	242 770	55	Thrust piece AKF	238 690	
	E7.2 + E6.2(12) + E7.2(14)	242 771	56	Slider AKF	238 691	
6	Wire bow	238 694	57	Wire bow	238 694	
500	Shim ring 8x14x0.5	023 501	58	Wire	237 940	
501	Circlip	021 022	551	Screw KB 35x12	237 681	
502	Grooved pin 2x6	243 172	552	Screw KB 40x8	236 227	
			553	Compression spring 0.30x4.50x18.50	241 437	
			554	Grooved pin 2x6	243 172	



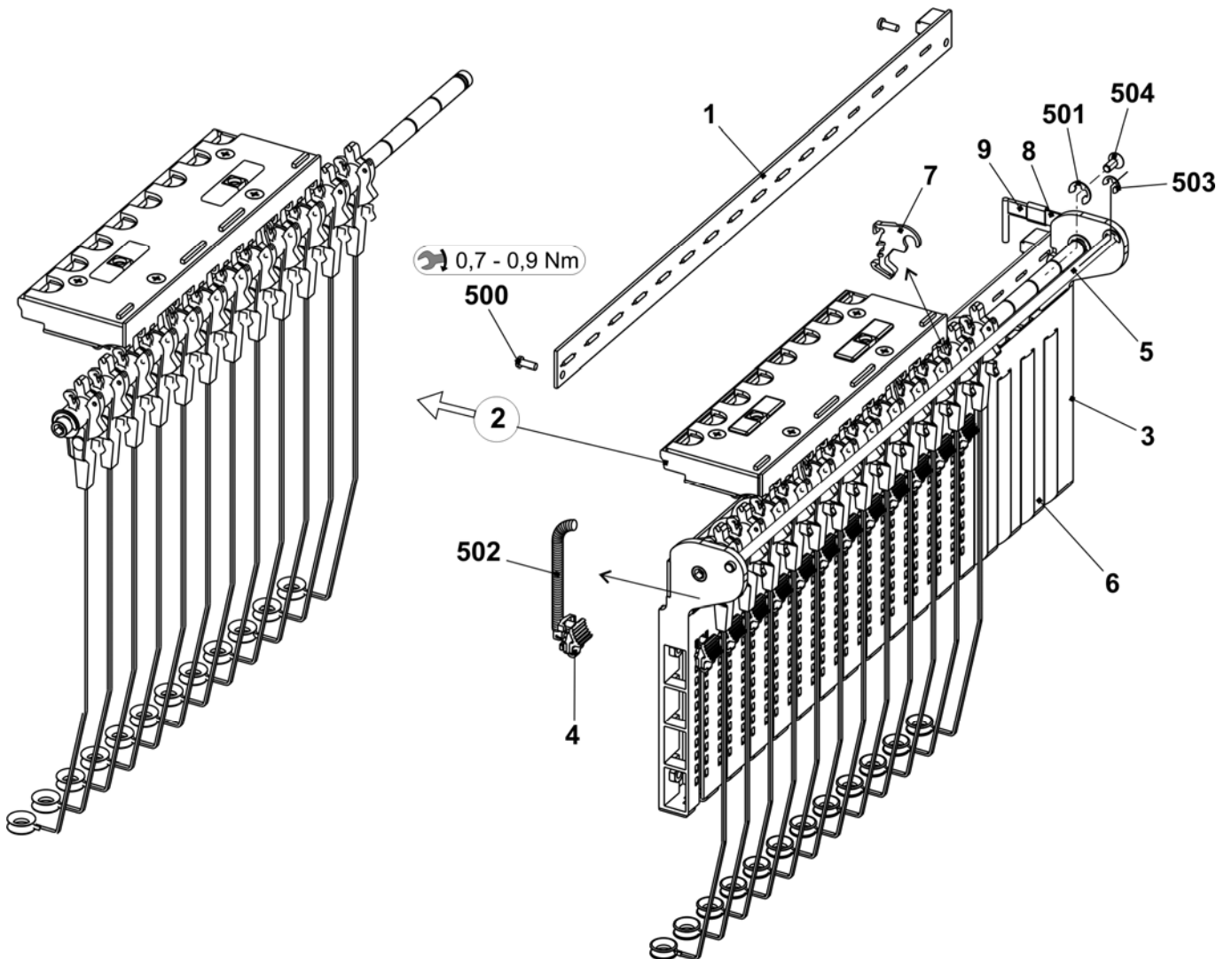
Right yarn guide

Pos	Designation	ID	Pos	Designation	ID
Σ	Safety cover on the right complete		10	Yarn deflector	242 011
	E6.2	241 275	11	Connection cable yarn tensioner OKC	240 808
	E7.2 + E6.2(12) + E7.2(14)	241 276	13	Yarn brake not adjustable	244 356
5	Yarn brake complete	244 347	14	Clamping bow	244 409
6	Shaft	241 318	15	Ground cable	244 404
7	Yarn tensioner on the right complete		501	Ceramic eyelet	240 640
	E6.2	241 383	502	Compression spring 0.90x5.40x13.60	241 360
	E7.2 + E6.2(12) + E7.2(14)	241 384	504	U-washer	022 537
8	Cover	240 783	510	Screw KB 60x20	237 682
9	Wire bow on the right	241 369	512	Flat connector 2x45° M6	243 117



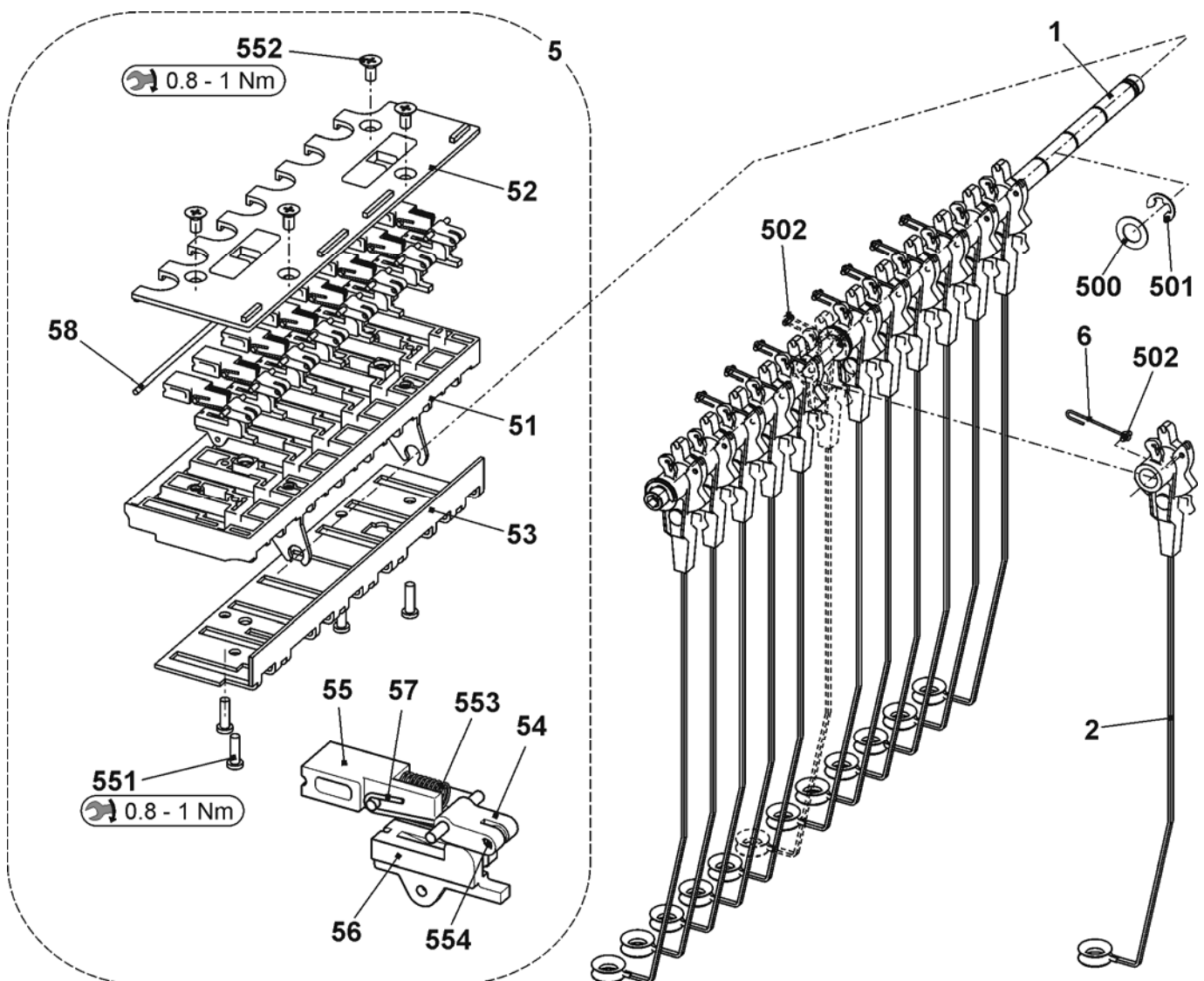
Right yarn tensioner

Pos	Designation	ID	Pos	Designation	ID
Σ	Yarn tensioner on the right		6	Cover	242 268
	E6.2	241 383	7	Spacer	242 048
	E7.2 + E6.2(12) + E7.2(14)	241 384	8	Grounding sheet metal of tension axle	243 121
1	Card yarn tensioner 16-fold on the right	241 346	9	Ground cable yarn tensioner OKC	243 105
2	Tension axle on the right complete		500	Screw KB 30x8	236 228
	E6.2	241 379	501	Circlip	021 022
	E7.2 + E6.2(12) + E7.2(14)	241 380	502	Tension spring 4,9x0,5x53 (E6.2)	023 503
3	Housing	241 367		Tension spring 4,9x0,45x53 (E7.2)	023 504
4	Slider	241 694	503	Circlip	021 020
5	Stop point	241 368	504	Countersunk screw M4x10	241 914



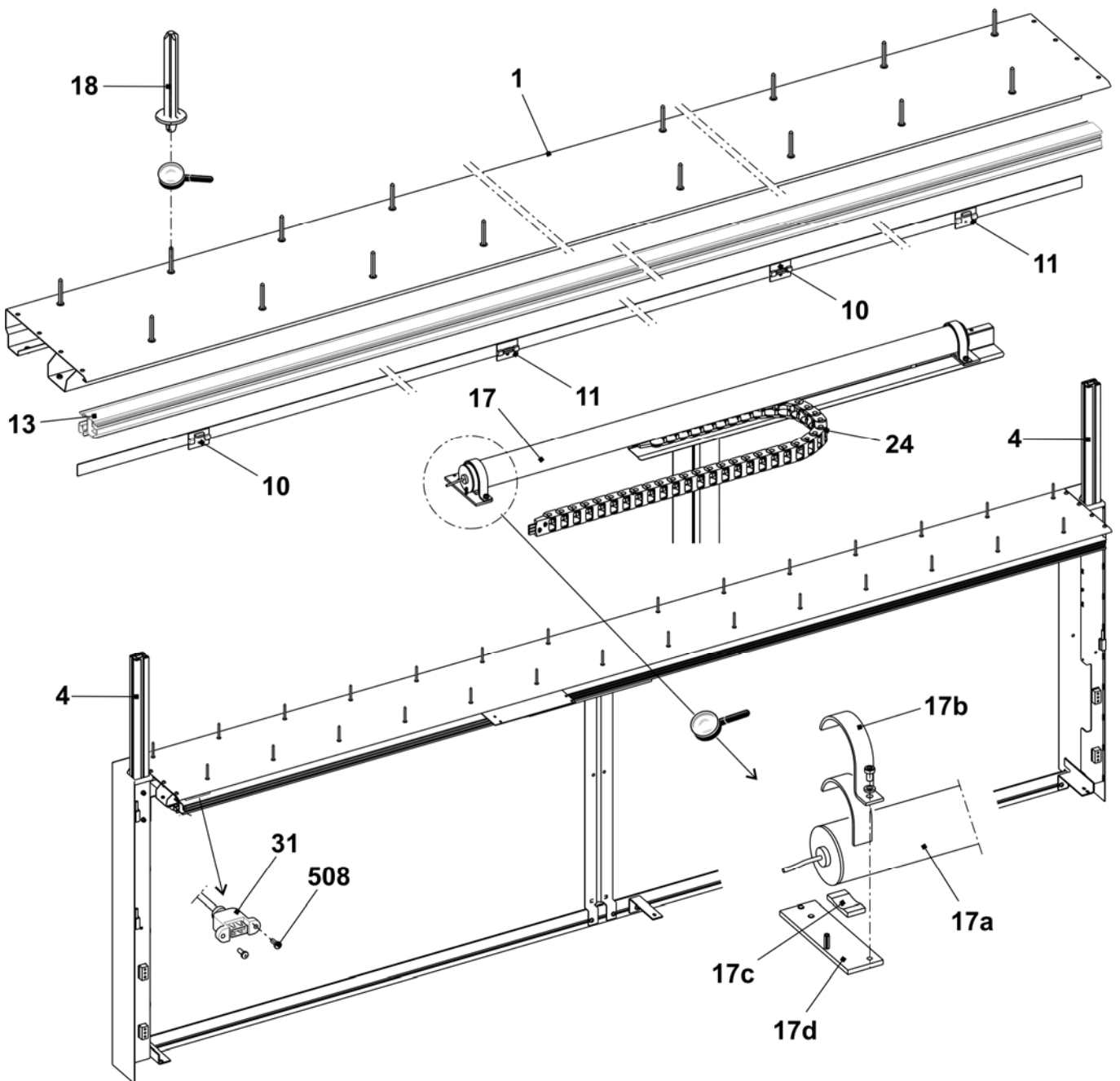
Right tension axle

Pos	Designation	ID	Pos	Designation	ID	
Σ	Tension axle on the right complete		5	Thread clamp AKF		
	E6.2	241 379		51	Housing AKF	238 689
	E7.2 + E6.2(12) + E7.2(14)	241 380		52	Cover AKF	237 926
1	Axle	243 107	53	Sheet metal at the bottom (housing AKF)	240 719	
2	Tension arm pre-assembled		54	Lever AKF	238 692	
	E6.2	242 770	55	Thrust piece AKF	238 690	
	E7.2 + E6.2(12) + E7.2(14)	242 771	56	Slider AKF	238 691	
6	Wire bow	238 694	57	Wire bow	238 694	
500	Shim ring 8x14x0.5	023 501	58	Wire	237 940	
501	Circlip	021 022	551	Screw KB 35x12	237 681	
502	Grooved pin 2x6	243 172	552	Screw KB 40x8	236 227	
			553	Compression spring 0.30x4.50x18.50	241 437	
			554	Grooved pin 2x6	243 172	



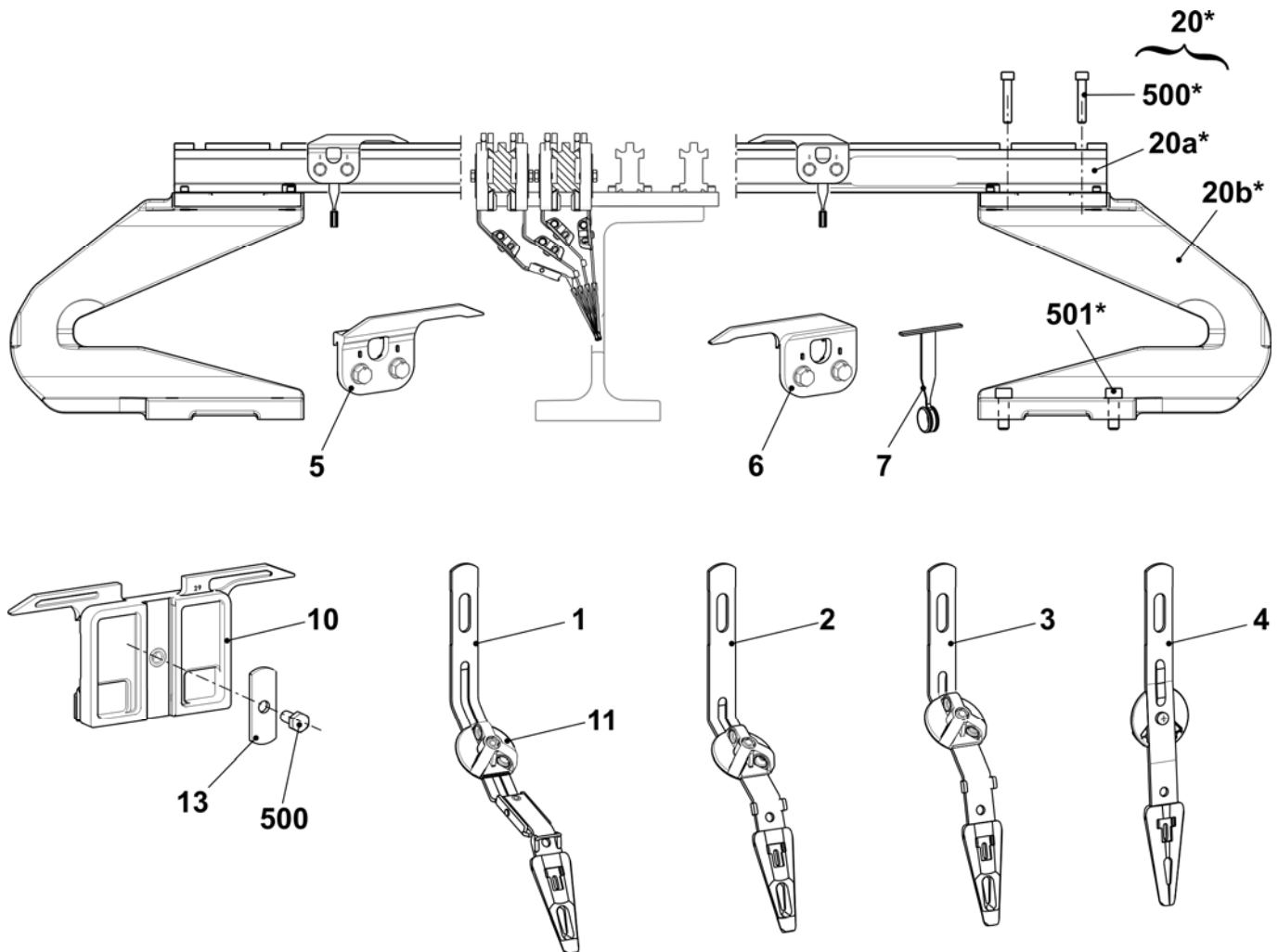
Bobbin board

Pos	Designation	ID	Pos	Designation	ID
Σ	Table complete 72"	240 391			
1	Table	251 245	17	17b Clamping bow	209 504
4	Support element	228 594		17c Cellular caoutchouc 40x20	208 018
10	Magnet switch protective hood	219 983		17d Lamp support	221 951
11	Magnet switch protective hood	220 159	18	Positioning pin	251 050
13	Guide rail at the top complete	240 390	24	Energy chain display (38 links)	253 888
17	Lamp at the top complete	222 509	31	Cable USB extension okc	240 317
17a	Lamp 230 V 50/60 Hz	205 546	508	Countersunk screw M3x8	023 251



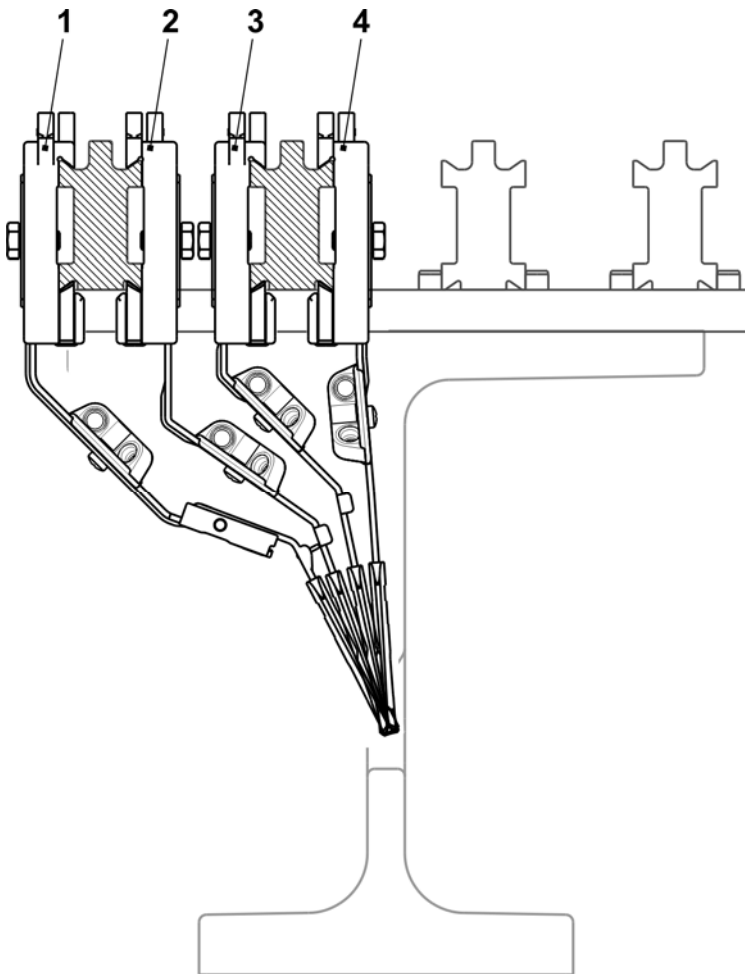
Yarn carrier and guide rails

Pos	Designation	ID	Pos	Designation	ID
Σ	Yarn guide complete				
	E7 - E8 (E6.2)	244 004	E6.2		
	E10-E14 (E7.2+E6.2(12)+E7.2(14))	244 005	1	YC bow 1+8 complete E7-8	212 892
5	Limiter on the left complete	244 099	2	YC bow 2+7 complete E7-8	212 914
6	Limiter on the right complete	244 098	3	YC bow 3+6 complete E7-8	212 925
7	Slider with eyelet	230 709	4	YC bow 4+5 complete E7-8	212 910
10	YC carriage complete	243 062	E7.2+E6.2(12)+E7.2(14)		
11	Yarn guide wheel complete	209 257	1	YC bow 1+8 complete E10-14	212 994
13	Shim	213 035	2	YC bow 2+7 complete E10-14	212 996
20*	Bar unit	244 101	3	YC bow 3+6 complete E10-14	212 995
	20a* Yarn carrier bar	218 665	4	YC bow 4+5 complete E10-14	212 997
	20b* YC support	236 501			
	500* Cap screw M6x35	020 139			
	501* Cap screw M8X25	020 142			
500	Hexagon screw M5x10	020 351			



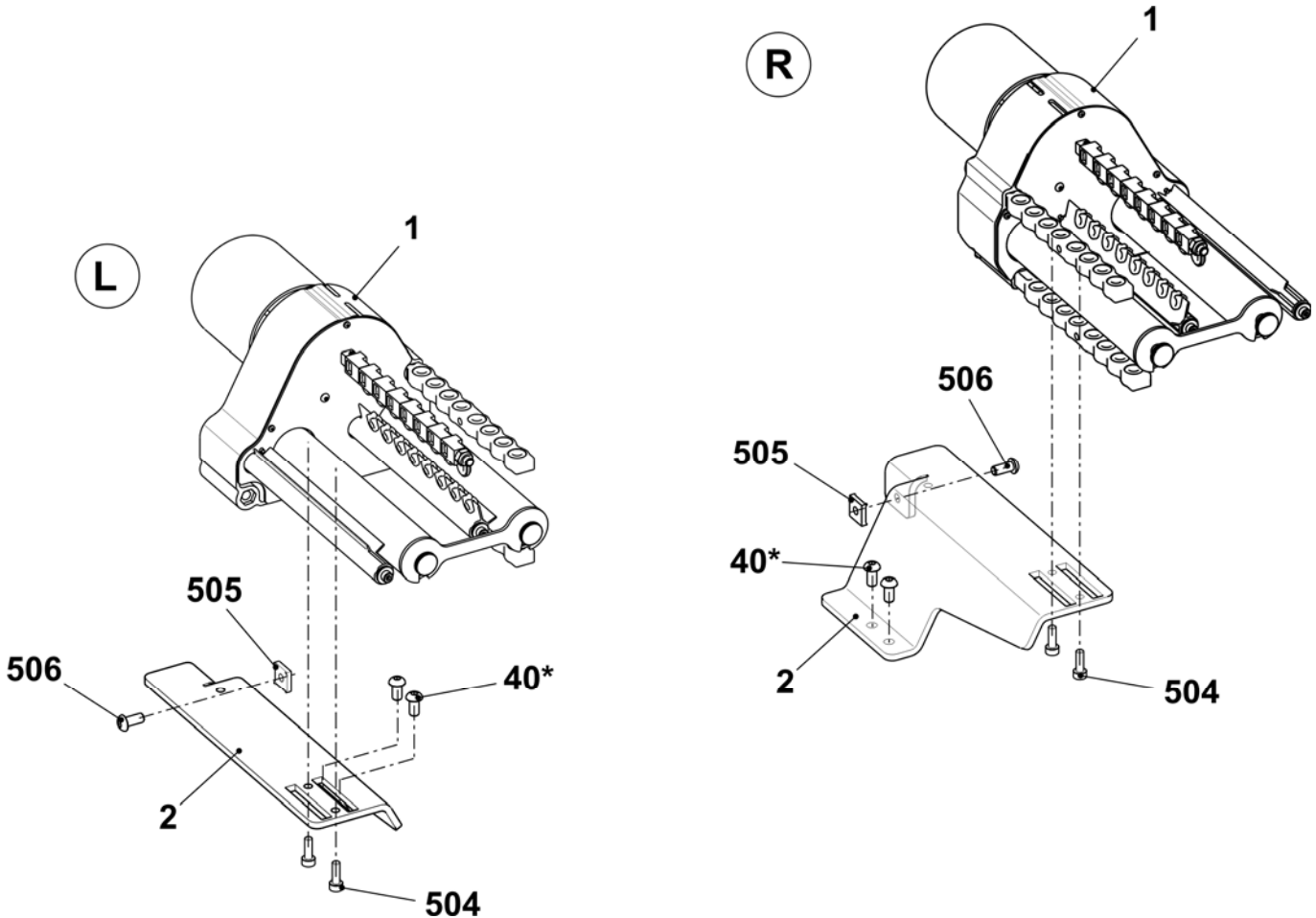
Complete yarn carriers

Pos	Designation	Track	ID	Pos	Designation	Track	ID
E7-8, E6.2				E10 - E14, E7.2 + E6.2(12) + E7.2(14)			
1	YC carriage complete E7-8	1+8	243 939	1	YC carriage complete E10-14	1+8	243 943
2	YC carriage complete E7-8	2+7	243 938	2	YC carriage complete E10-14	2+7	243 942
3	YC carriage complete E7-8	3+6	243 937	3	YC carriage complete E10-14	3+6	243 941
4	YC carriage complete E7-8	4+5	243 936	4	YC carriage complete E10-14	4+5	243 940



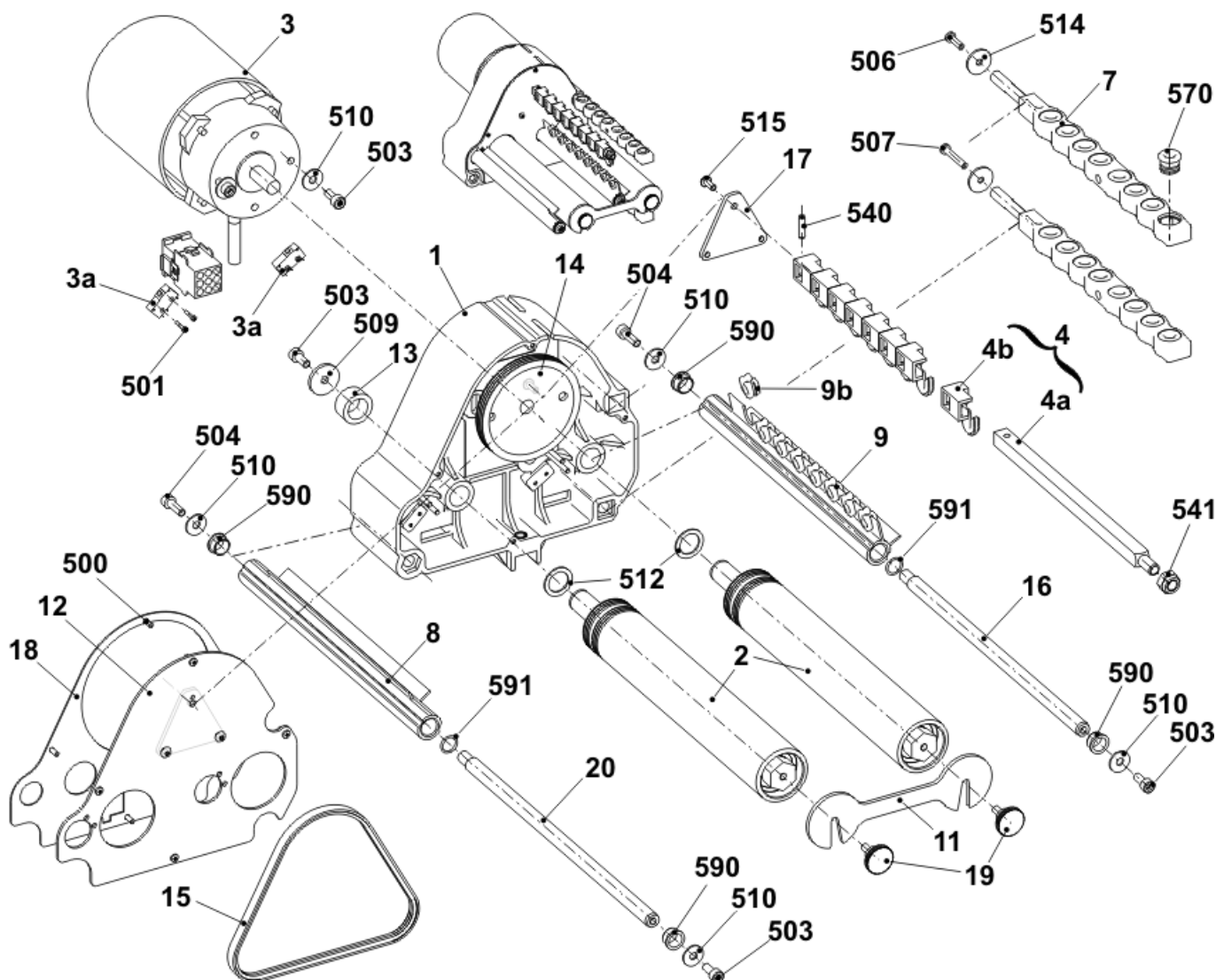
Friction feed wheel on the left and on the right complete

Pos	Designation	ID	Pos	Designation	ID
Σ L	Friction feed wheel on the left co.	243 573	Σ R	Friction feed wheel on the right co.	243 574
1	Friction feed wheel on the left	243 571	1	Friction feed wheel on the right	243 572
2	Support of left feed wheel	250 966	2	Support of right feed wheel	250 967
504	Cap screw M6x16	020 135	504	Cap screw M6x16	020 135
505	Sliding block	228 851	505	Sliding block	228 851
506	Countersunk screw M8x18	251 331	506	Countersunk screw M8x18	251 331
40*	Countersunk screw M8x16	023 113	40*	Countersunk screw M8x16	023 113



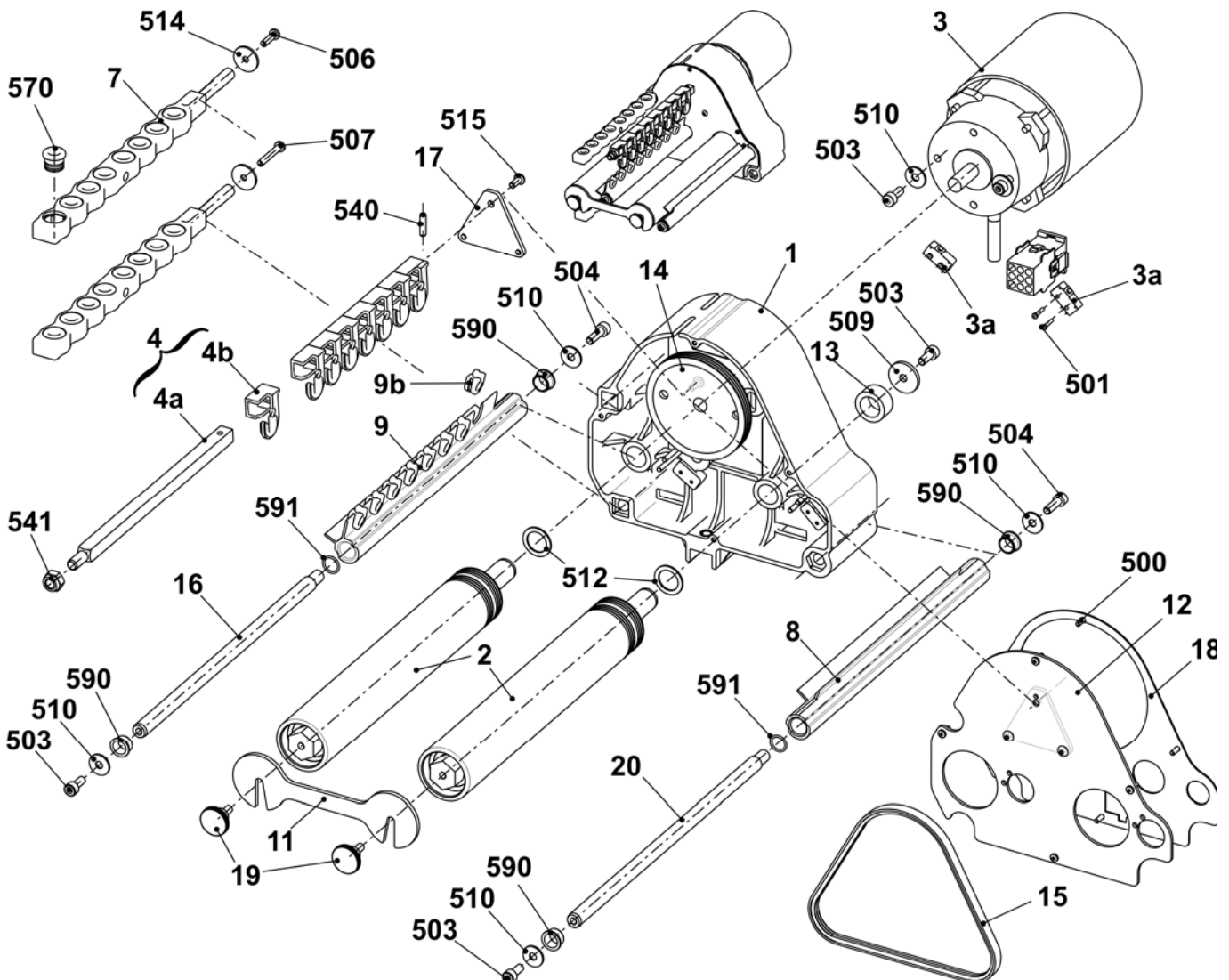
Left friction feed wheel

Pos	Designation	ID	Pos	Designation	ID	
Σ	Friction feed wheel on the left complete	243 571	13	Bush	221 391	
1	Housing	240 368	14	Ribbed V-belt pulley	221 268	
2	Friction roller complete	231 704	15	Ribbed V-belt pulley V3J 406	206 927	
3	Three-phase AC motor complete	219 800	16	Rod	221 319	
		3a Microswitch	008 664	17	Supporting plate	251 096
4	Deflector complete 8-fold	250 089	18	Cover	230 758	
		4a Support rail	250 055	19	Knurled screw	223 361
		4b Eyelet holder complete	250 077	20	Rod	230 658
		540 Spring dowel sleeve 4x15	020 783	500	Screw KB30x8	236 228
		541 Hexagon nut M8-8	022 843	501	Screw 20x10	244 736
7	Yarn guide rod complete	239 431	503	Cap screw M5x12	020 132	
		570 Eyelet 8	021 504	504	Cap screw M5x16	022 726
8	Stop motion rail on the right complete	230 690	506	Screw KB 40x14	241 358	
9	Stop motion rail on the left co. with eyelets	230 683	507	Screw KB 40x25	241 595	
		9b Eyelet	230 662	509	Washer 5.3x22x2.5	023 219
		590 Slide bearing	023 627	510	U-washer 5	020 901
		591 O-ring	244 895	512	Adjusting washer 15x21x1	023 216
11	Strap	221 316	514	U-washer 4,3	020 908	
12	Cover	251 098	515	Countersunk screw M4x10	023 450	



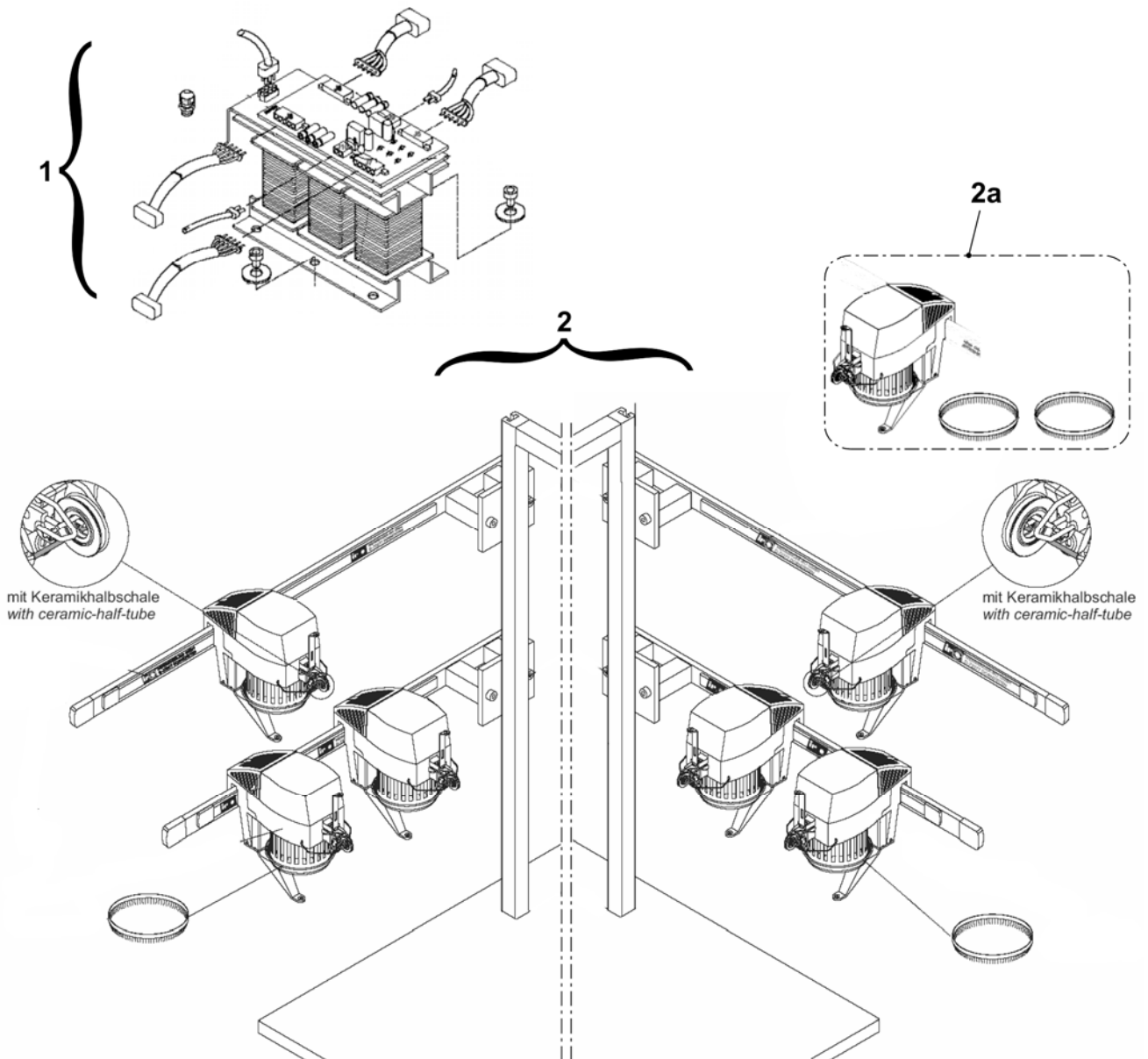
Right friction feed wheel

Pos	Designation	ID	Pos	Designation	ID
Σ	Friction feed wheel on the right complete	243 572	13	Bush	221 391
1	Housing	240 368	14	Ribbed V-belt pulley	221 268
2	Friction roller complete	231 704	15	Ribbed V-belt pulley V3J 406	206 927
3	Three-phase AC motor complete	219 800	16	Rod	221 319
	3a Microswitch	008 664	17	Supporting plate	251 096
4	Deflector complete 8-fold	250 089	18	Cover	230 758
	4a Support rail	250 055	19	Knurled screw	223 361
	4b Eyelet holder complete	250 077	20	Rod	230 658
	540 Spring dowel sleeve 4x15	020 783	500	Screw KB30x8	236 228
	541 Hexagon nut M8-8	022 843	501	Screw 20x10	244 736
7	Yarn guide rod complete	239 431	503	Cap screw M5x12	020 132
	Eyelet 8	021 504	504	Cap screw M5x16	022 726
8	Stop motion rail on the right complete	230 690	506	Screw KB 40x14	241 358
9	Stop motion rail on the right co. with eyelets	230 682	507	Screw KB 40x25	241 595
	9b Eyelet	230 662	509	Washer 5.3x22x2.5	023 219
	590 Slide bearing	023 627	510	U-washer 5	020 901
	591 O-ring	244 895	512	Adjusting washer 15x21x1	023 216
11	Strap	221 316	514	U-washer 4,3	020 908
12	Cover	251 098	515	Countersunk screw M4x10	023 450

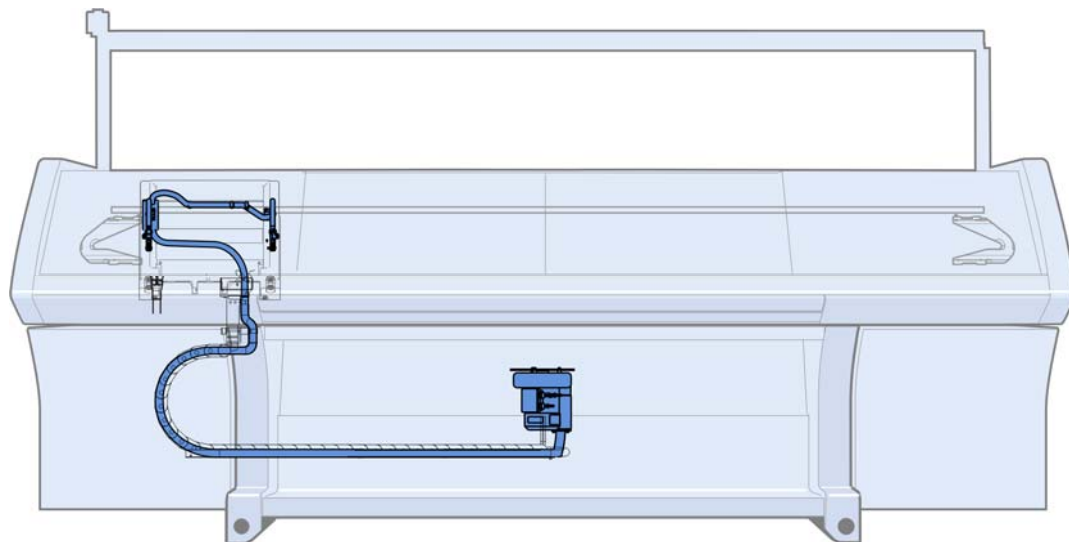


Feed wheel SFE

Pos	Designation	ID	Note
Σ	Mounted set storage feed wheel SFE	231 427	Please order the SFE spare parts at: MEMMINGER-IRO GMBH Jakob-Mutz-Strasse 7 D-72280 Dornstetten Phone: +49 (0)7443 281-0 Fax: +49 (0)7443 281-101 The item no. and the designation for the SFE spare parts can be found in the enclosed assembling instructions of the company MEMMINGER-IRO.
1	Transfo with cable	231 979	
2	Mounted set SFE without transformer	231 980	
2a	Feed wheel SFE	231 537	

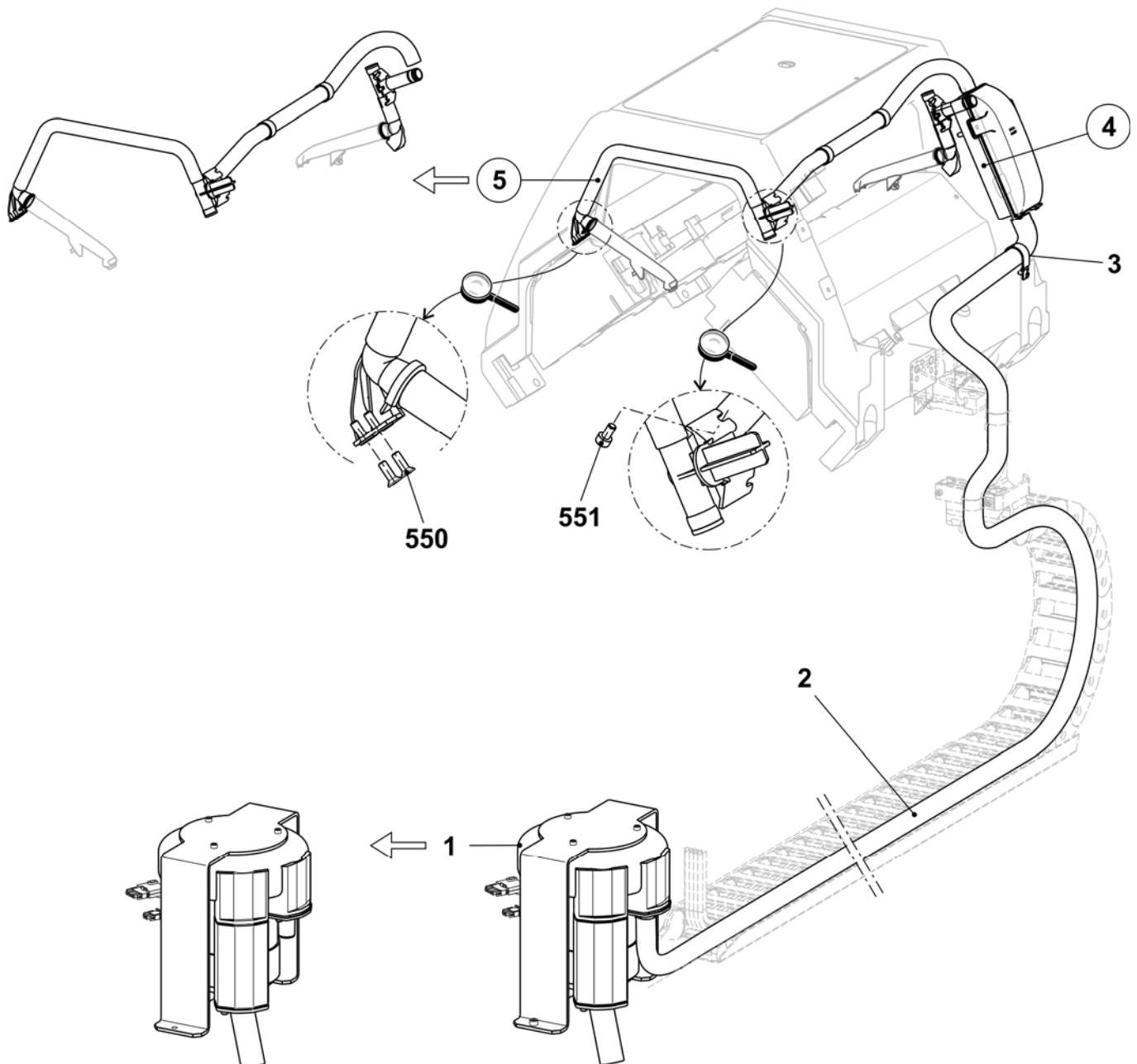


Fluff absorption



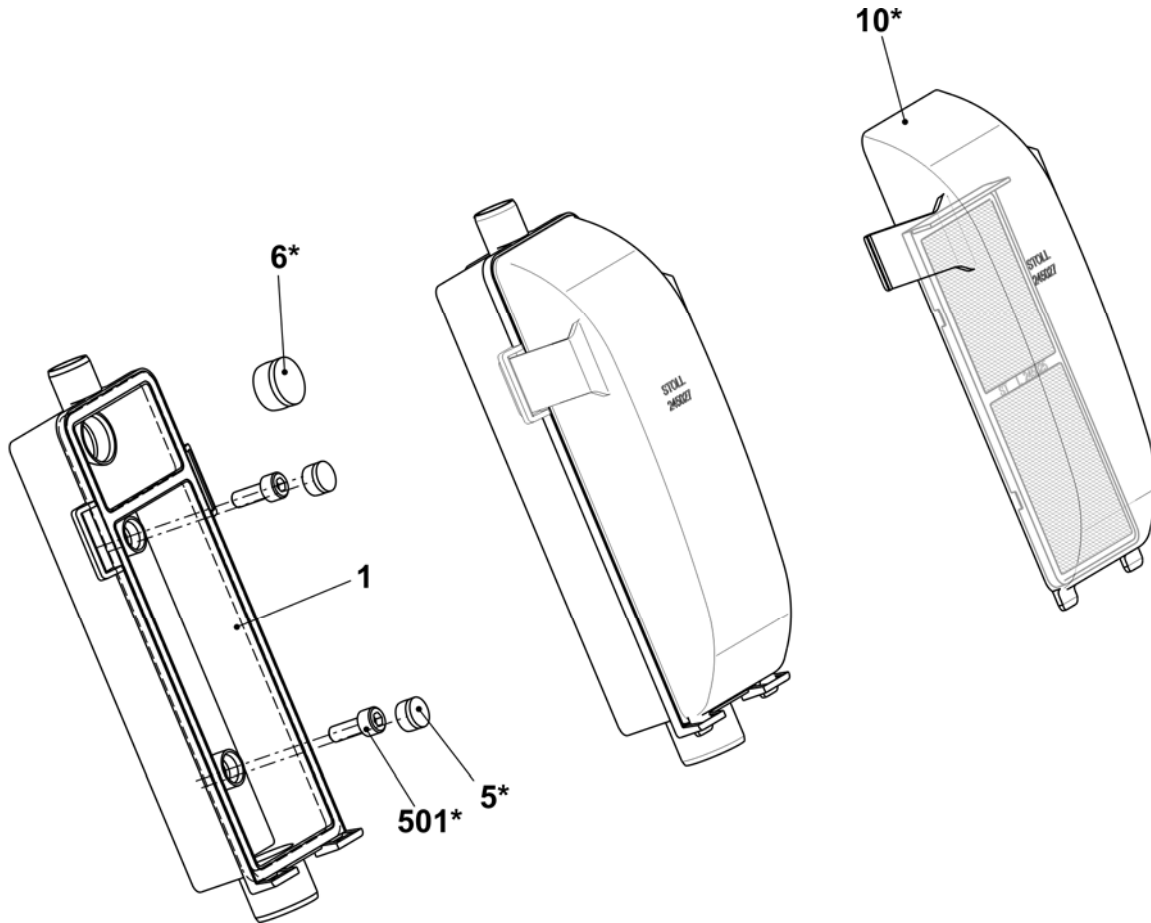
Fluff absorption

Pos	Designation	ID	Pos	Designation	ID
Σ	Fluff absorption				
1	Suction fan complete	251 332	5	Set of tubes complete	251 342
2	Suction hose 29x25x3350	251 328	550	Countersunk head screw M4x12	023 062
3	Hose fitting	214 653	551	Cap screw M4x8	022 501
4	Lint container	245 024			



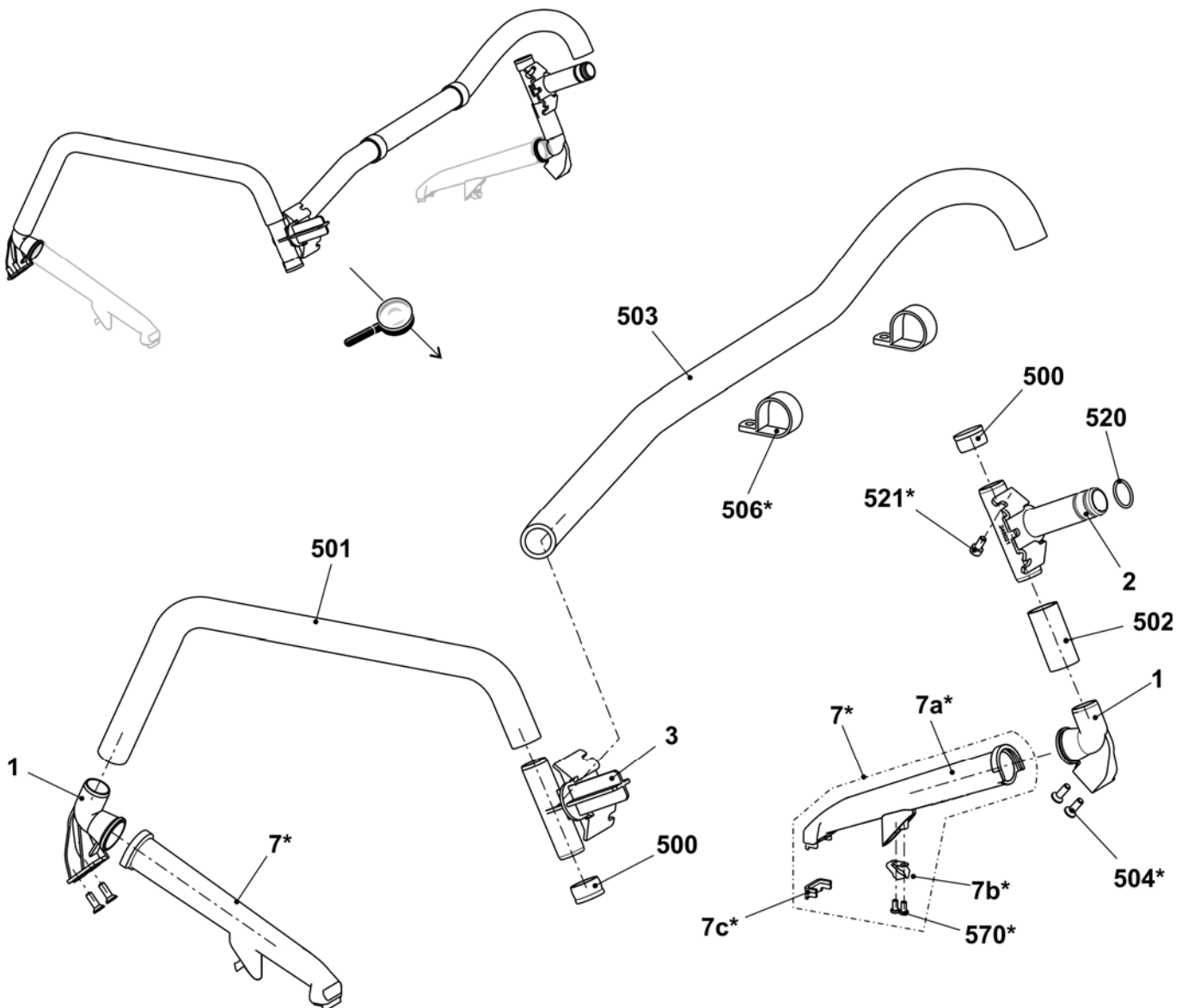
Lint container

Pos	Designation	ID	Pos	Designation	ID
Σ	Lint container		6*	Sealing plug	245 029
1	Lint container	245 024	10*	Cover with filter	251 335
5*	Sealing plug	245 028	501*	Cap screw M6x10	023 690

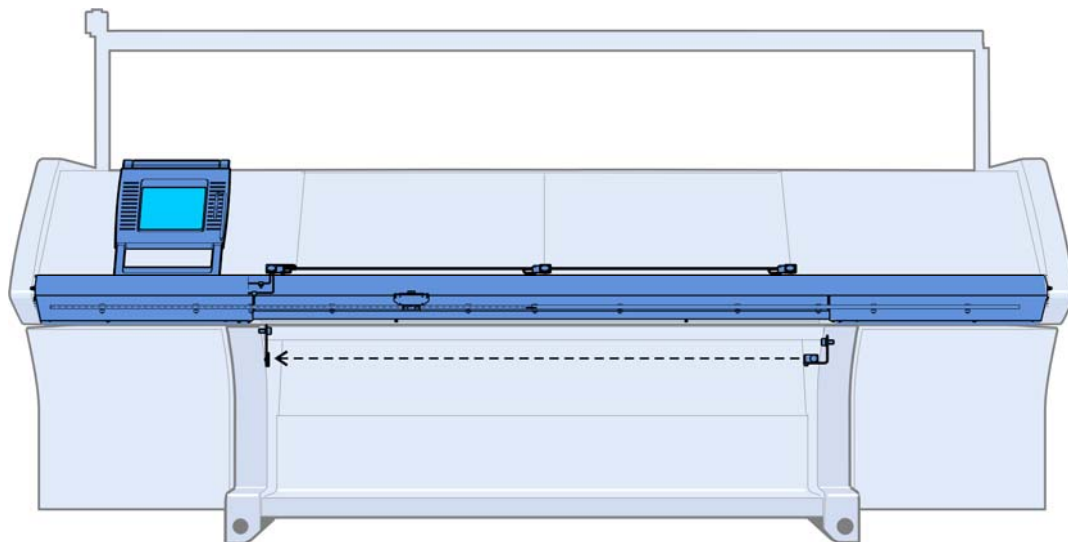


Set of tubes

Pos	Designation	ID	Pos	Designation	ID
Σ	Set of tubes complete 520/730T	251 342			
1	Angle connection on the right	250 121		7c* Brush (E5-14)	251 265
2	T-piece FLENT	245 021		570* Screw KB30x6	241 424
	520 O-ring 15x1.5	250 054	500	Sealing plug	245 029
	521* Cap screw M4x8	022 501	501	Suction hose 20x16x440	244 983
3	Connection piece Flent	245 022	502	Suction hose 20x16x40	251 043
	7* Suction tube complete (E7-14)	251 314	503	Suction hose 20x16x570	251 044
7*	7a* Suction tube	250 120	504*	Countersunk head screw M4x12	023 062
	7b* Bracket	250 805	506*	Cable clip	250 051

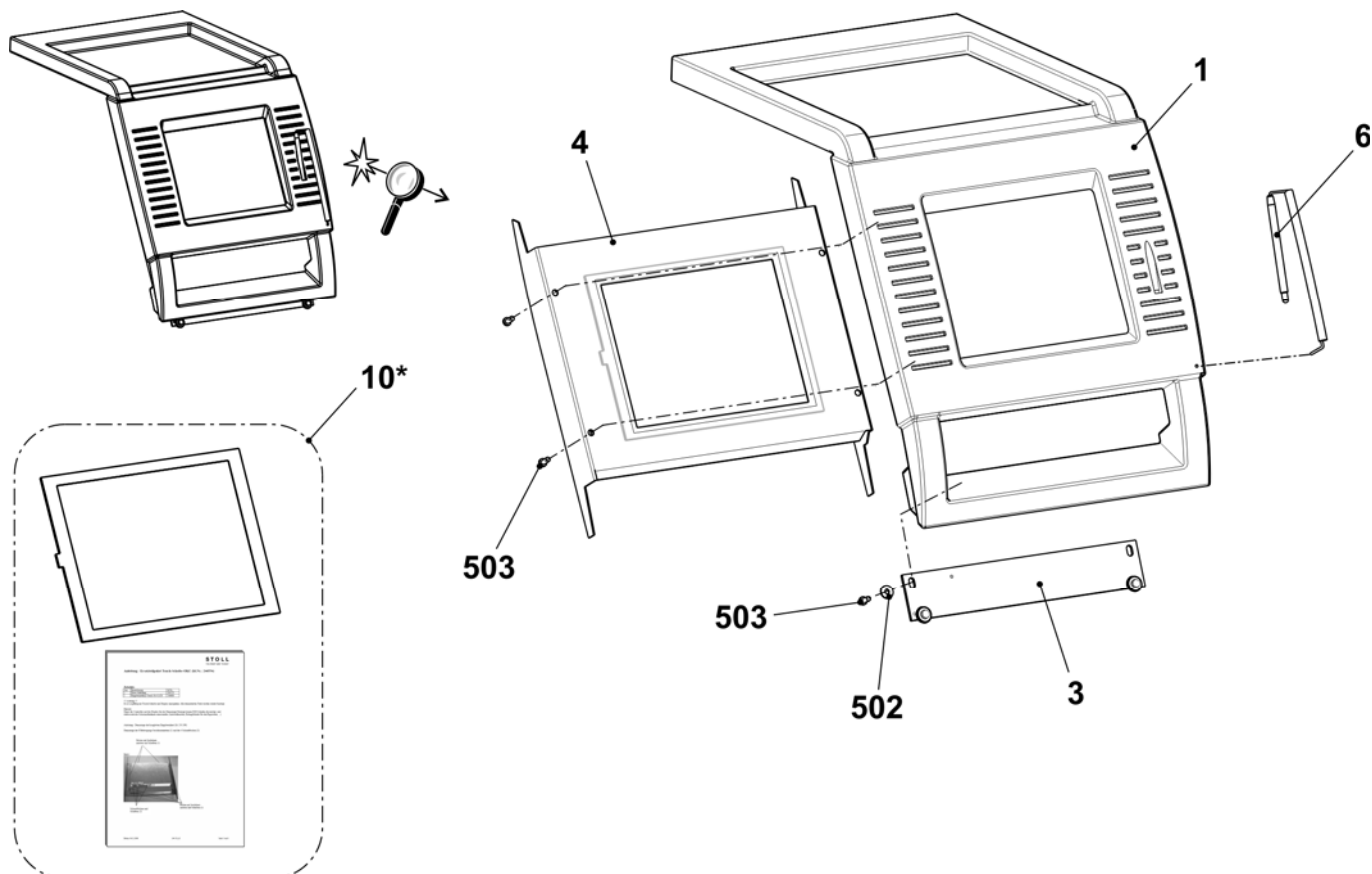


Operation and control



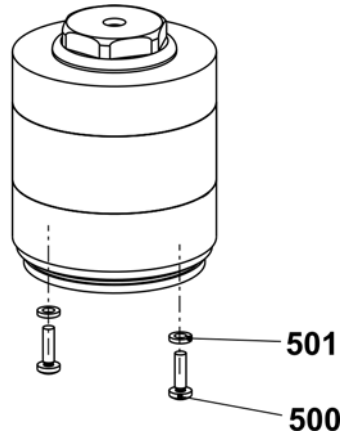
Input unit

Pos	Designation	ID	Pos	Designation	ID
Σ	Input unit complete	240 194	6	Touch pen	242 812
1	Base frame	240 195	10*	Touch panel spare parts package	244 554
3	Bearing strip complete	240 198	502	U-washer	020 901
4	Display touch complete	250 298	503	Screw KB 50x12	240 359



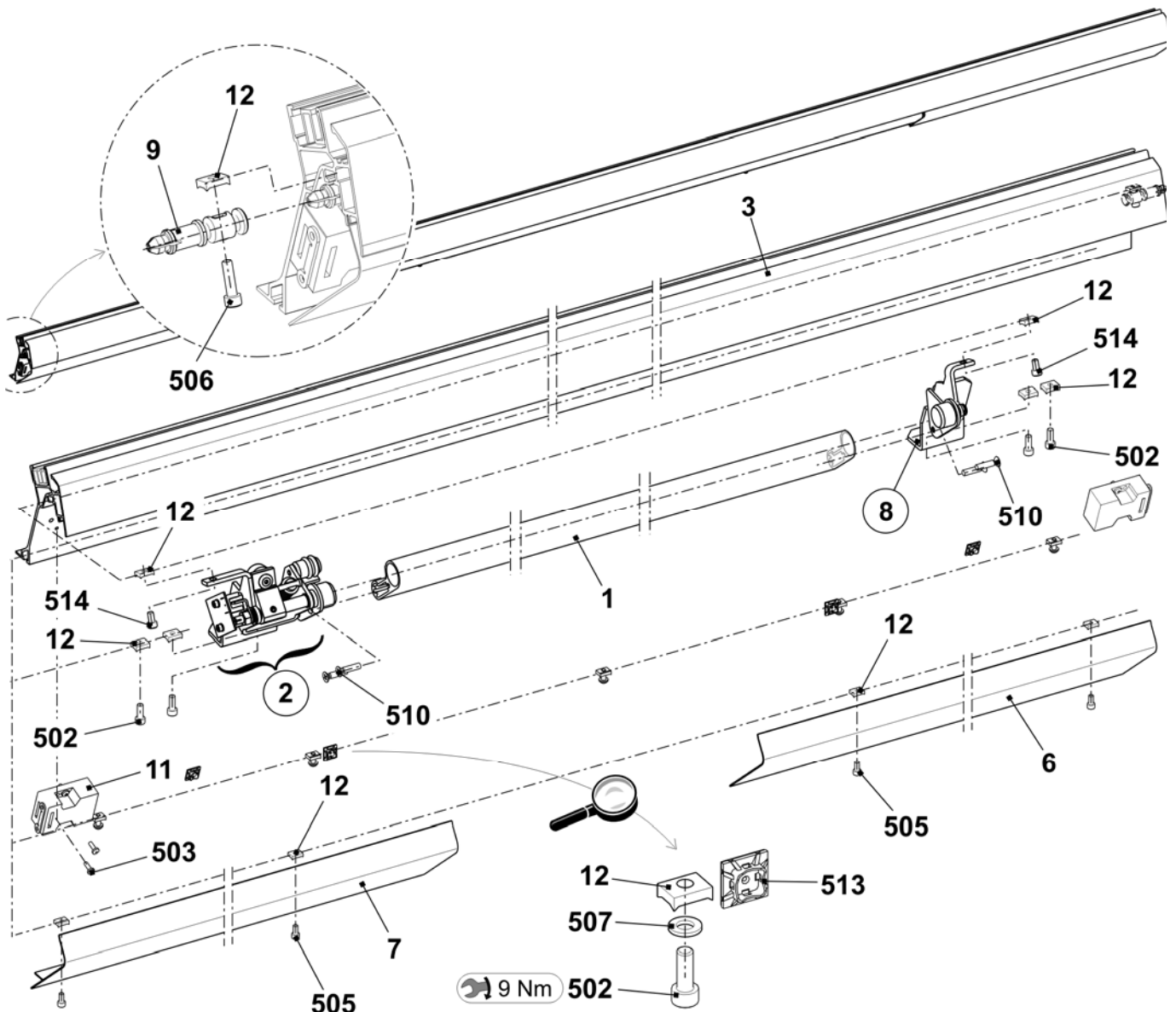
Signal light

Pos	Designation	ID	Pos	Designation	ID
Σ	Signal light LED single lamp with horn	251 153			
	500	Countersunk screw M4x14			
	501	Serrated lock washer A4.3-FS			



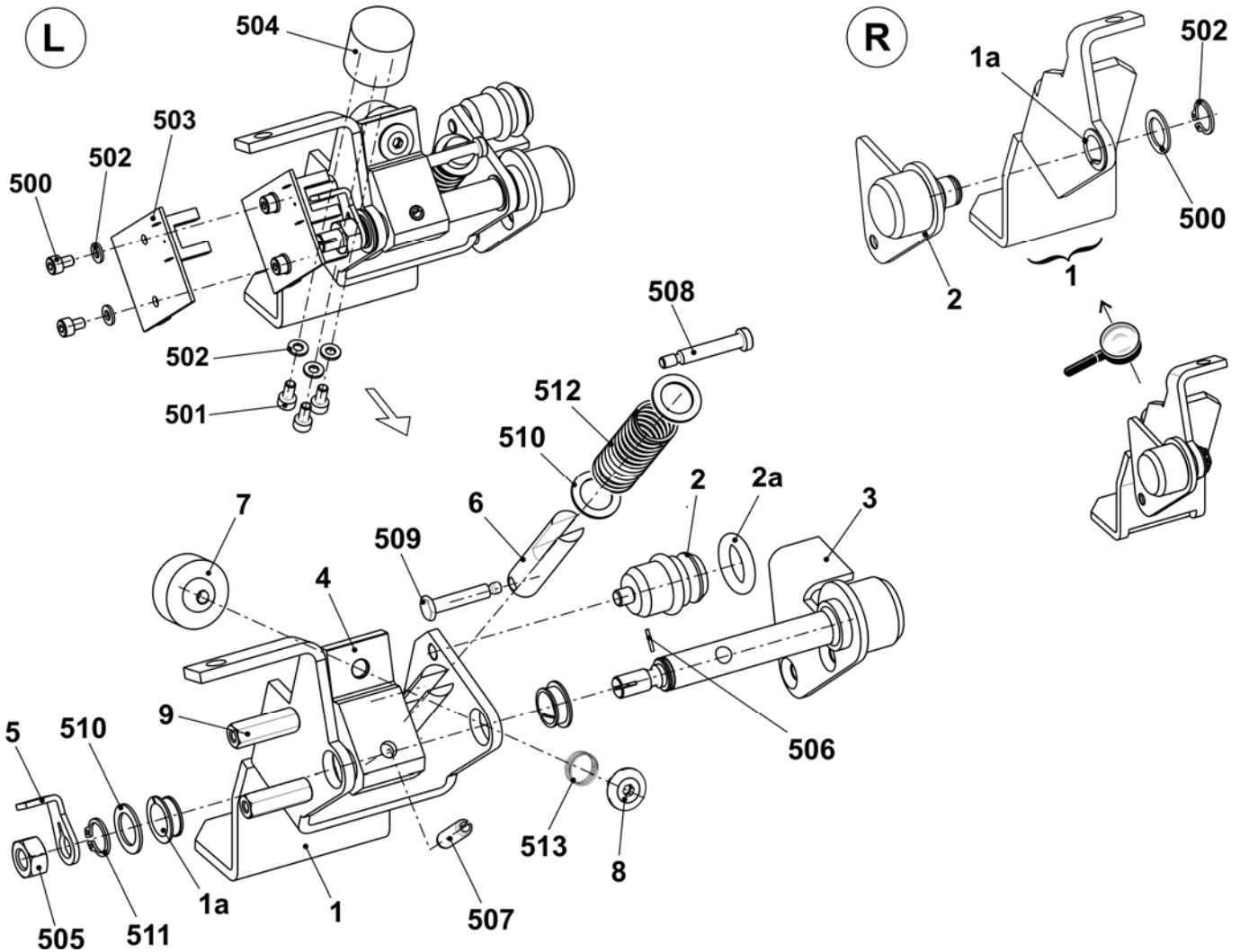
Starting unit

Pos	Designation	ID	Pos	Designation	ID
Σ	Starting unit	240 569	12	Sliding block	225 099
1	Engaging rod	240 718	502	Cap screw M6x16	020 135
2	Bearing on the left complete	250 071	503	Countersunk screw M5x14	023 588
3	Guide rail at the bottom complete	251 226	505	Cap screw M6x12	020 134
6	Cover plate on the right	251 214	506	Cap screw M6x20-12.9	020 136
7	Cover plate on the left	251 215	507	U-washer	020 872
8	Bearing on the right complete	252 964	510	Screw M6x25	023 510
9	Fixing bolt	219 107	513	Adhesive base	243 055
11	Cable switch protective hoods	223 350	514	Cap screw M6x10	023 690



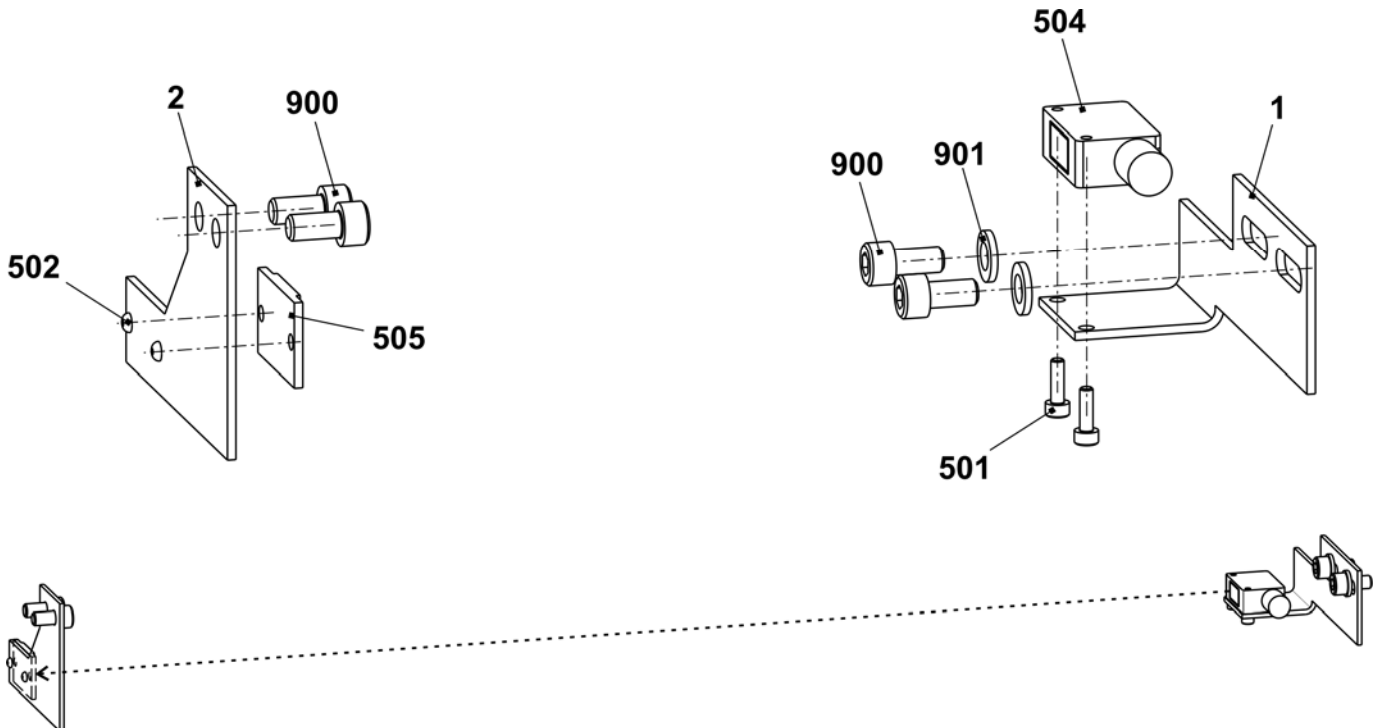
Bearing of the engaging rod

Pos	Designation	ID	Pos	Designation	ID
L	Bearing on the left complete	250 071			
1	Bearing on the left	245 218	505	Hexagon nut M8-6	020 838
1a	Clip bearing MCM12-04	023 639	506	Dowel pin 1.5x8	236 923
2	Support buffer	220 561	507	Spring dowel sleeve 6x20	023 719
2a	O-ring 14x4	023 237	508	Shoulder screw M4x24.8x7.7	240 299
3	Shaft on the left	245 219	509	Shoulder screw	251 316
4	Rotor	253 776	510	Shim ring 12x18x1	023 315
5	Switch flag	245 220	511	Locking ring 12x1	020 951
6	Spring pin	251 340	512	Compression spring 1.25x15x98.2	023 609
7	Disc	245 222	513	Compression spring 0.5x11x12	251 369
8	Shoulder screw	254 528			
9	Distance bolt	240 287	R	Bearing on the right complete	252 964
500	Cap screw M4x6	023 067	1	Bearing on the right	240 230
501	Cap screw M4x8	022 501	1a	Clip bearing MCM 12-04	023 639
502	Shim ring 4x8x1	023 369	2	Shaft on the right	242 888
503	Card engaging OKC	240 167	500	Shim ring 12x18x1	023 315
504	Adhesive magnet direct current	026 233	502	Locking ring 12x1	020 951



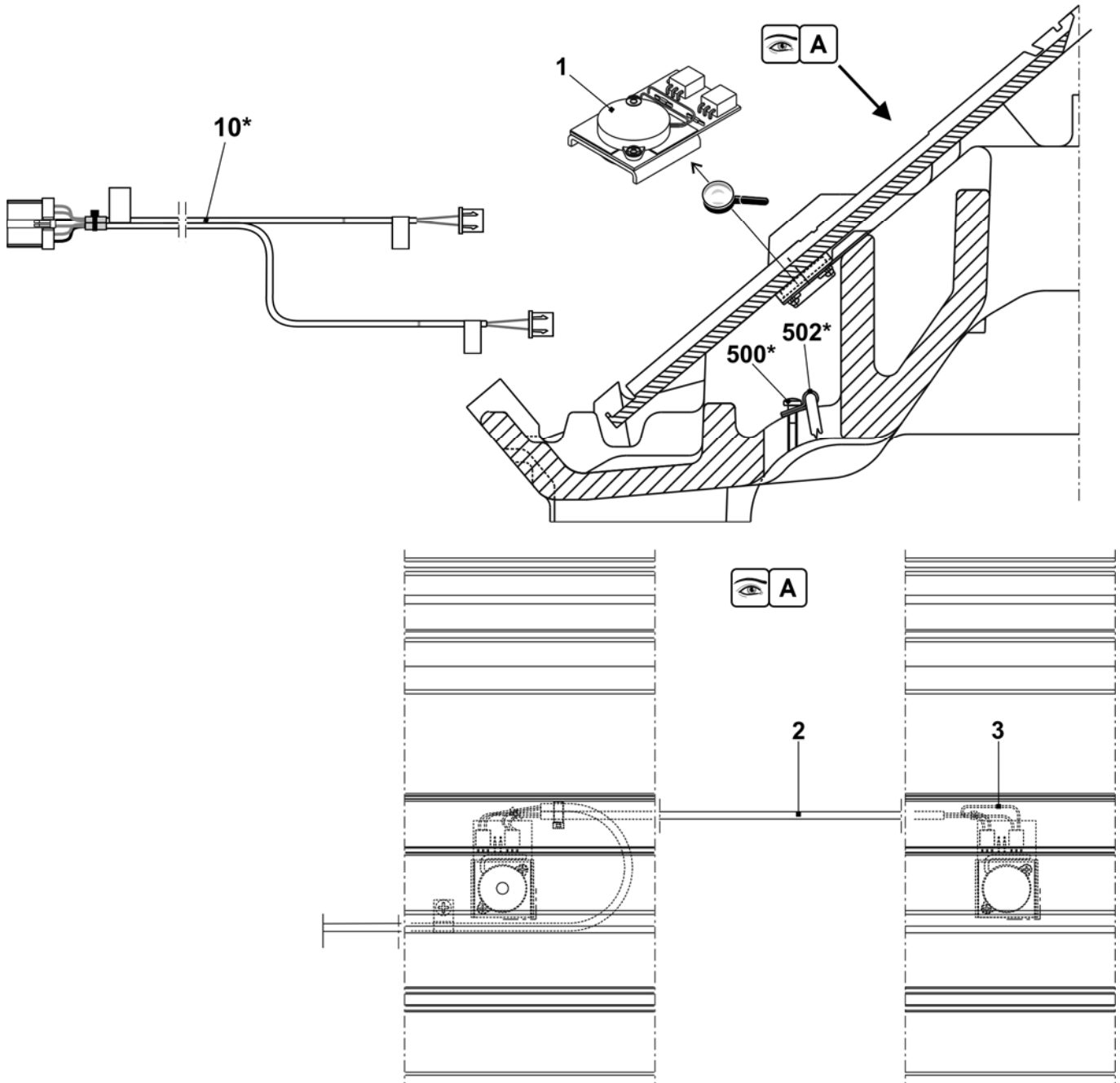
Collecting area - control

Pos	Designation	ID	Pos	Designation	ID
Σ	Collecting area - control				
1	Angle support photoelectric sensor	243 353	504	Photoelectric sensor WI100-P4330	243 355
2	Mounting plate reflector	243 354	505	Reflector 20x20 mm	243 356
501	Cap screw M3x10	022 991	900	Cap screw M6x12	020 134
502	Blind rivet A3x8-Al	023 158	901	U-washer 6	020 872



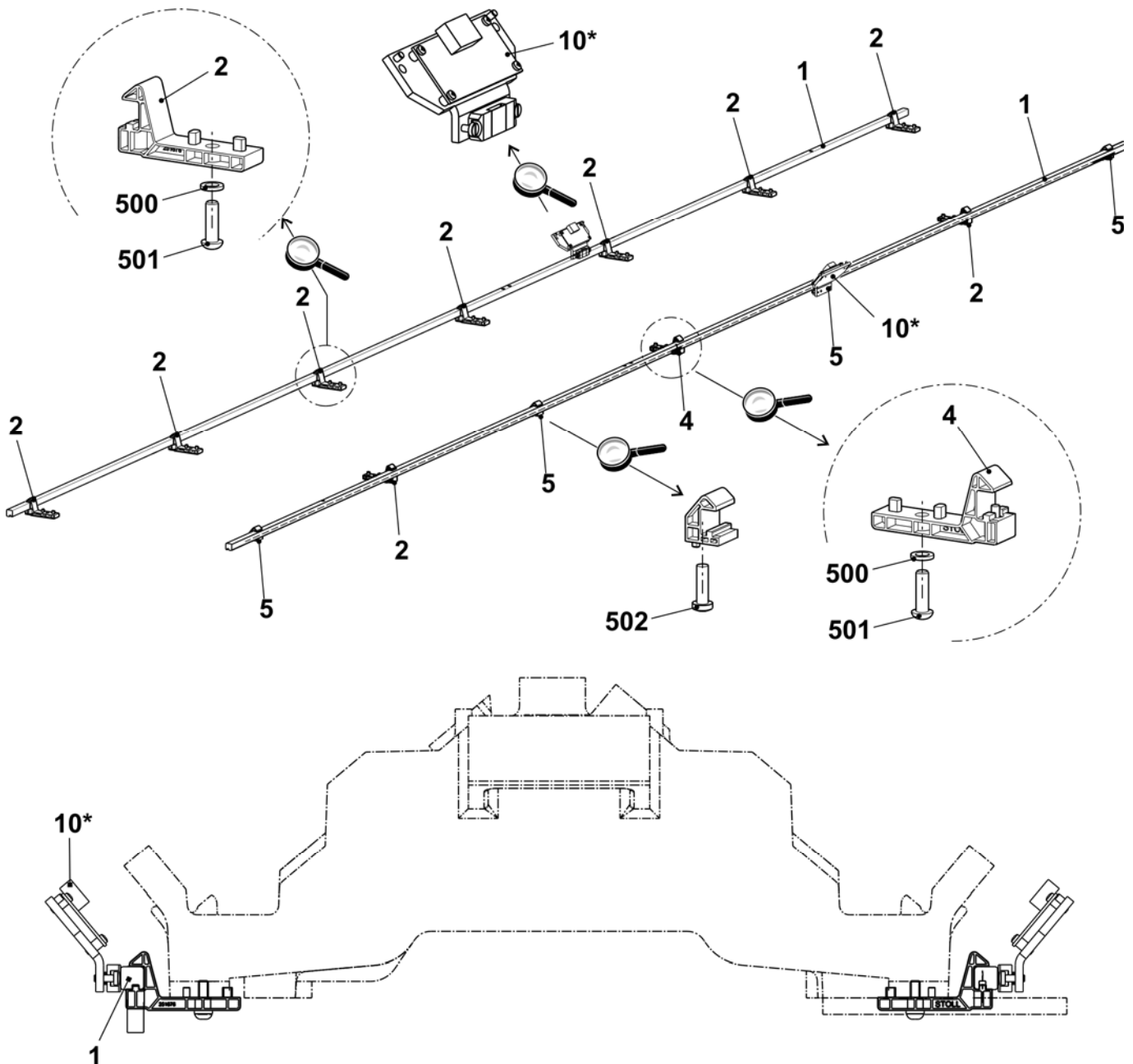
Shock stop motion

Pos	Designation	ID	Pos	Designation	ID
Σ	Shock stop motion complete	223 947			
1	Shock stop motion (Piezo)	220 011	10*	Cable Piezo NB OKC	240 518
2	Connecting cable piezo sensor	220 061	500*	Countersunk screw M4x8	023 036
3	End plug piezo sensor	220 053	502*	Cable clip N-3B, 5 mm	210 729

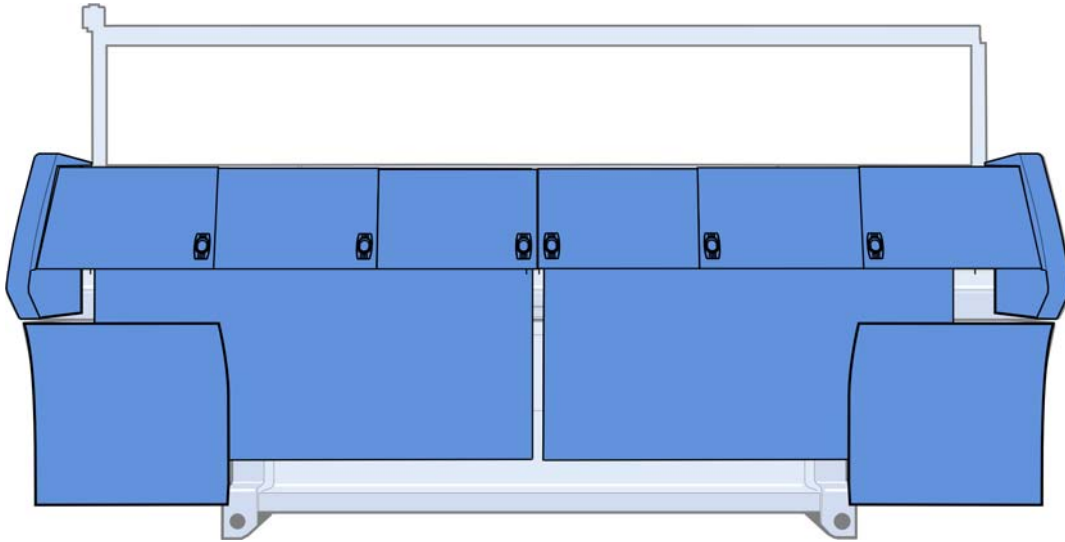


Measuring device E10-18

Pos	Designation	ID	Pos	Designation	ID
Σ	Measuring device E10-18				
1	Measuring bar	241 037	10*	Measuring head complete	240 562
2	Guidance	251 676	500	U-washer	020 881
4	Guidance	240 672	501	Countersunk screw	241 603
5	Guidance exterior	251 605	502	Screw 60x20	243 625

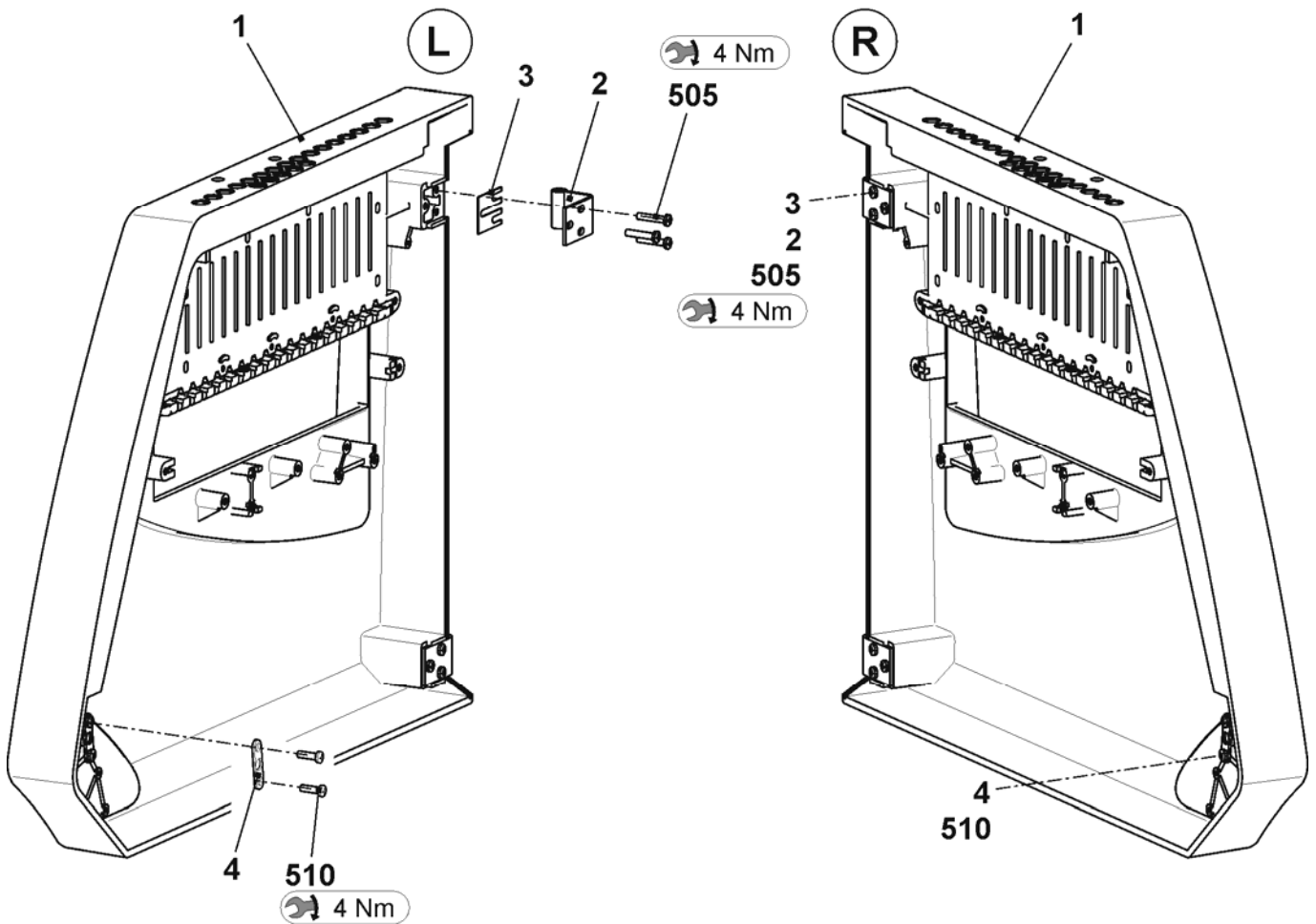


Protective device



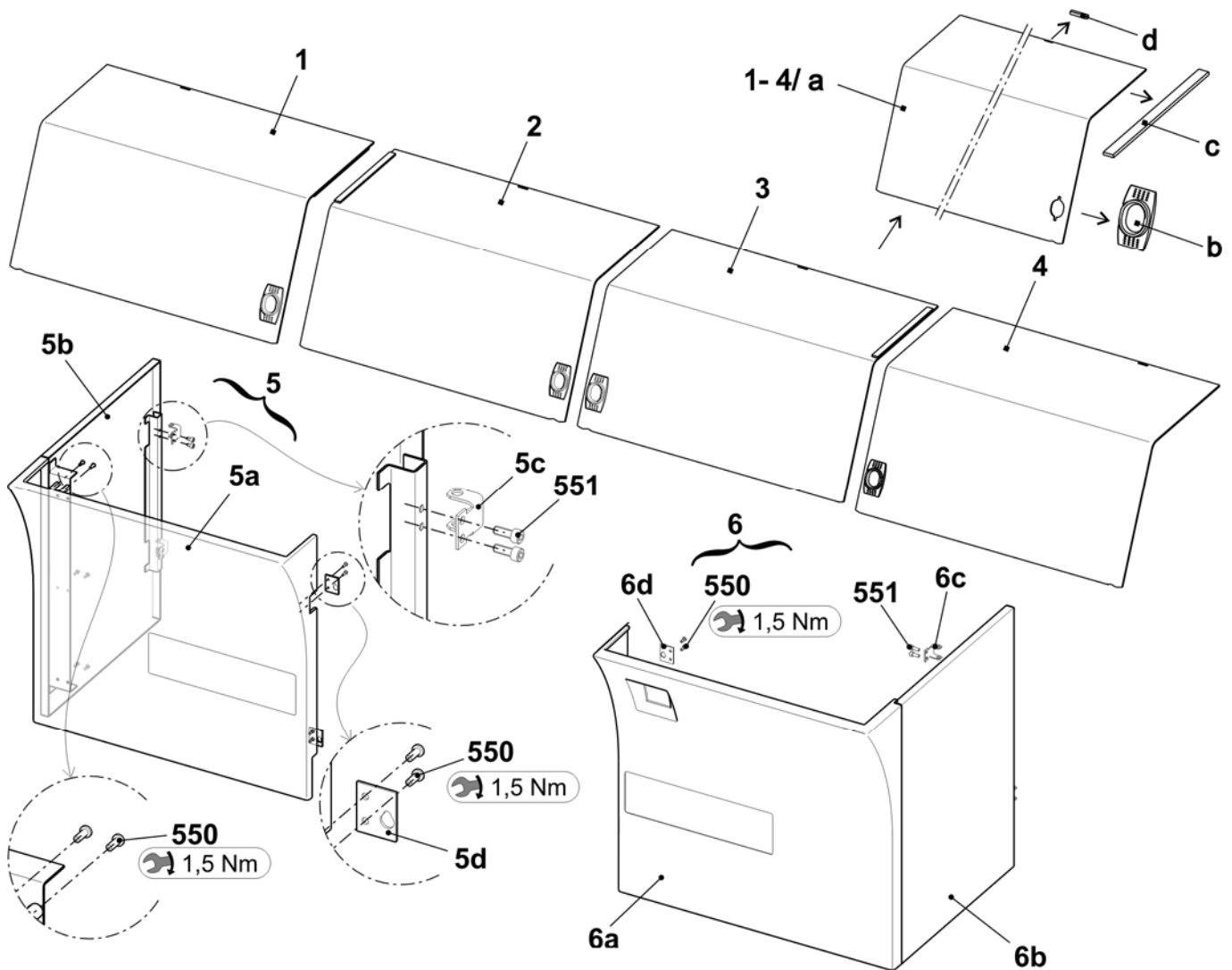
Lateral safety covers

Pos	Designation	ID	Pos	Designation	ID
Σ	Left safety cover		Σ	Right safety cover	
	E7 - E8, E6.2	241 272		E7 - E8, E6.2	241 275
	E10 - E18, E7.2+ E6.2(12)+E7.2(14)	241 273		E10 - E18, E7.2+ E6.2(12)+E7.2(14)	241 276
1	Safety cover on the left	250 562	1	Safety cover on the right	250 563
2	Hinge	241 994	505	Screw KB 60x30	237 683
3	Plate	224 717	510	Screw KB 60x20	237 682
4	Locking plate	219 748			



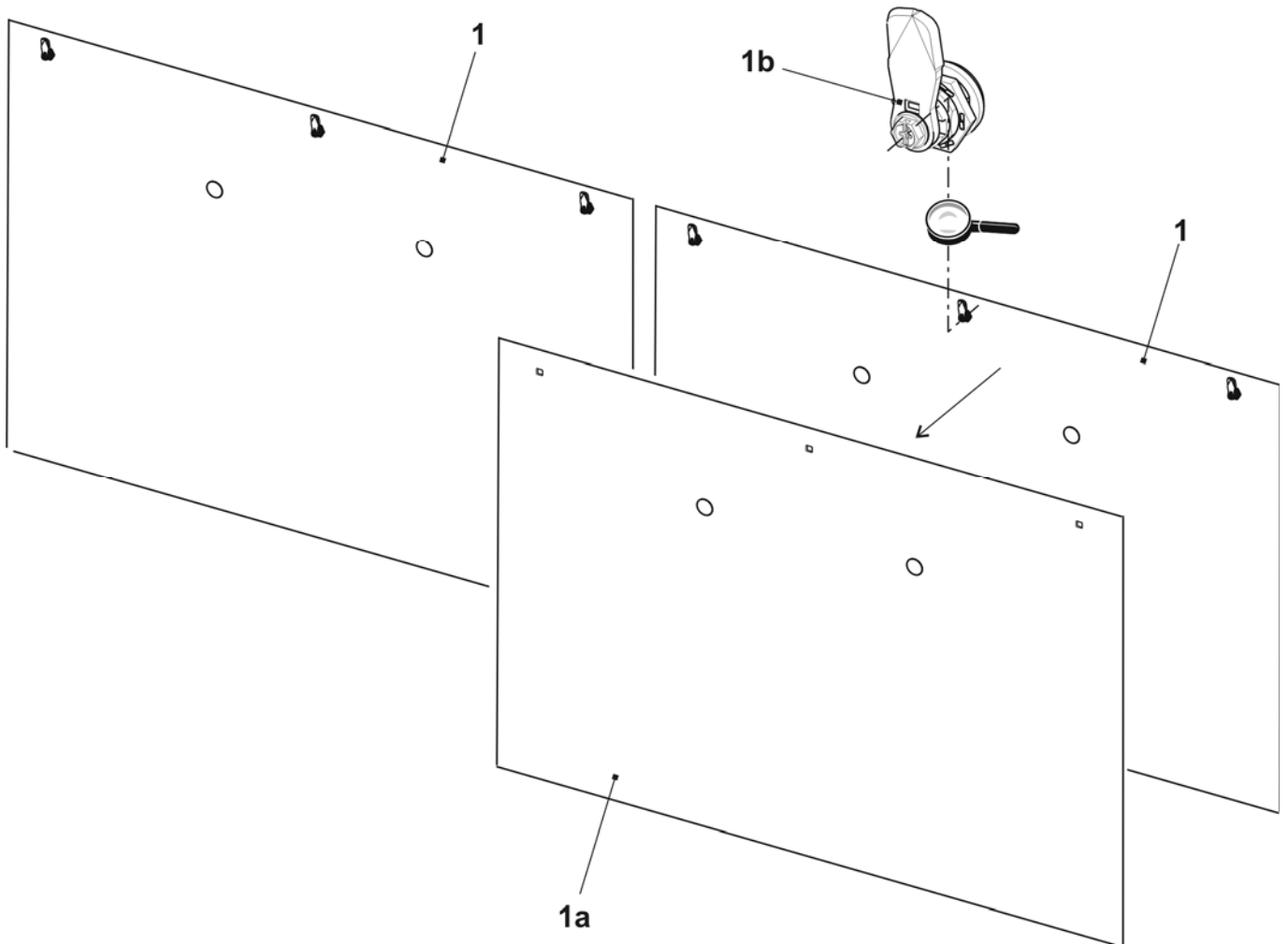
Panelling

Pos	Designation	ID	Pos	Designation	ID
1	Cover 1 (complete)	251 270	3	Cover 3 (complete)	251 272
	1a Cover 1	251 266		3a Cover 3	251 268
	1b Inlet type handle	251 376		3b Inlet type handle	251 376
	1c Stripper	219 393		3c Stripper	219 393
	1d Magnet	204 666		3d Magnet	204 666
2	Cover 2 (complete)	251 271	4	Cover 4 (complete)	251 273
	2a Cover 2	251 267		4a Cover 4	251 269
	2b Inlet type handle	251 376		4b Inlet type handle	251 376
	2c Stripper	219 393		4c Stripper	219 393
	2d Magnet	204 666		4d Magnet	204 666
5	Control unit panelling on the left complete	251 235	6	Control unit panelling on the right complete	251 236
	5a Control unit panelling on the left	251 188		6a Control unit panelling on the right	251 189
	5b Side part	244 989		6b Side part	244 989
	5c Hinge	250 273		6c Hinge	250 273
	5d Strap	240 412		6d Strap	240 412
	550 Screw KB 50x12	240 359		550 Screw KB 50x12	240 359
	551 Cap screw M6x16	020 135		551 Cap screw M6x16	020 135

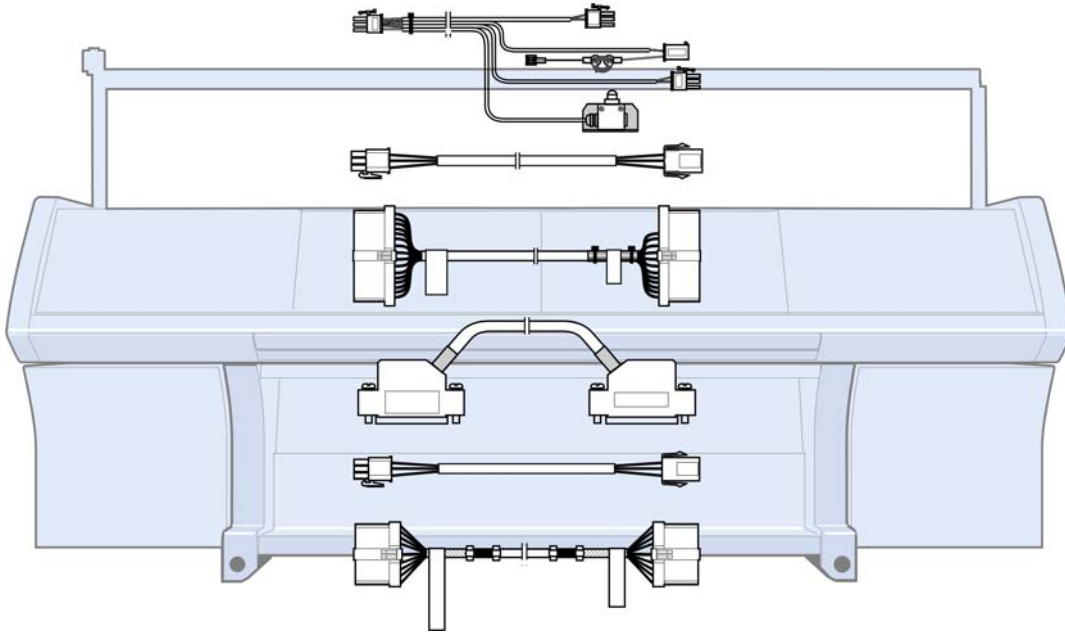


Rear panel

Pos	Designation	ID	Pos	Designation	ID
1	Panelling at the rear complete	251 569	1a	Panelling	251 568
			1b	Safety sash fastener	243 052



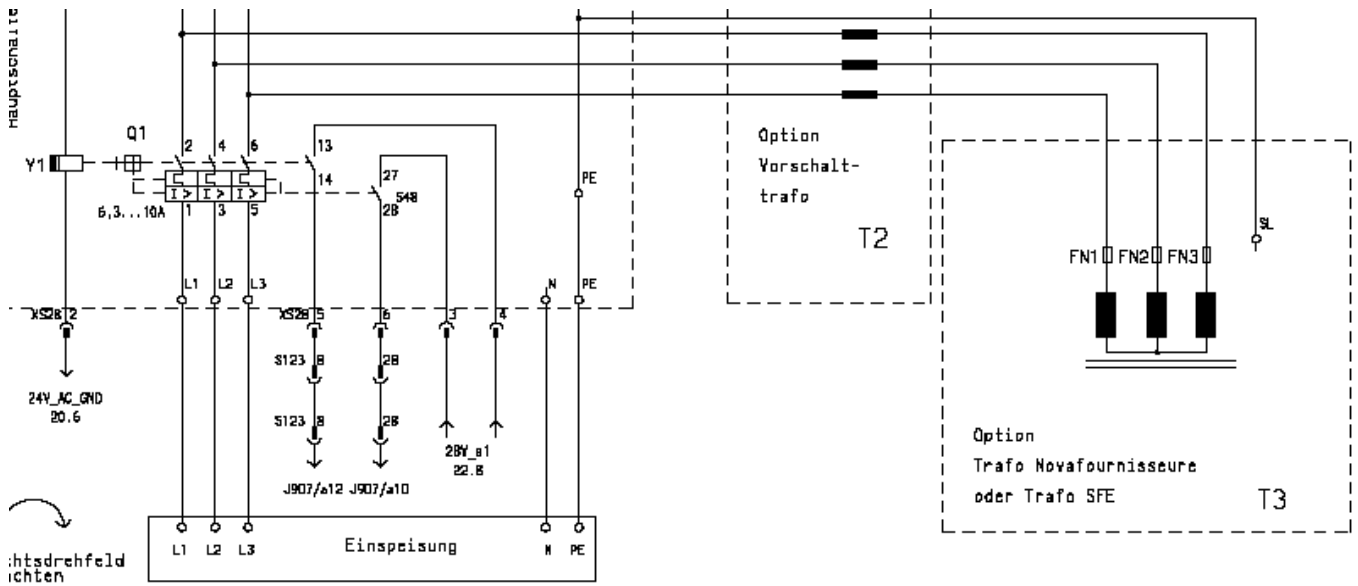
Electrical equipment





Circuit diagram as PDF

Designation	ID	Identification
Circuit diagram 219 German	243 991	_DE
Circuit diagram 219 English	243 991	_GB
Circuit diagram 219 Chinese	243 991	_CN

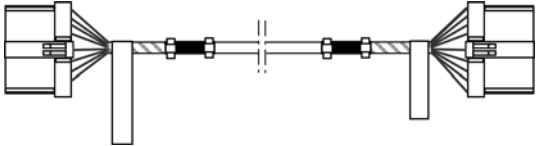
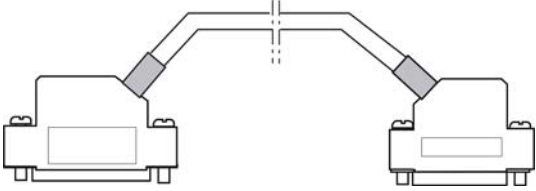
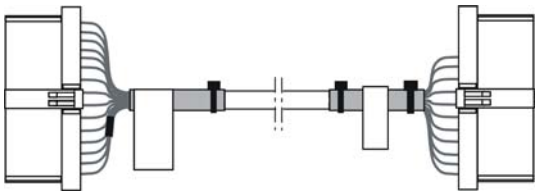
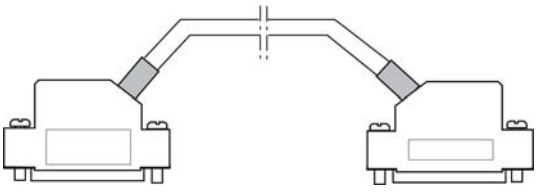
You will find the circuit diagram 219 on the CMS documentation DVD with the identification number 253 132.



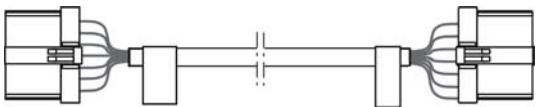
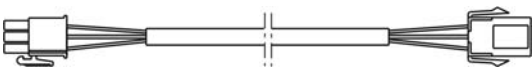
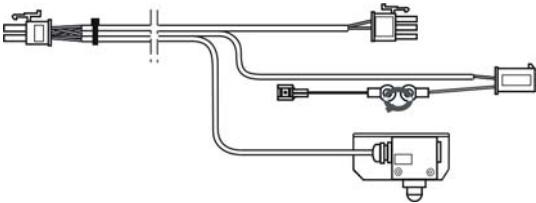
Fuses

	<i>Designation</i>	<i>ID</i>
	Fuse 1.0A F 5x20	008 748
	Fuse 3.15A T/440V 6.3x32	025 261
	Fuse 10A T/440V 6.3x32	025 258
	Fuse 2.5A T/440V 6.3x32	217 465
	Fuse 1.6A T/440V 6.3x32	236 229
	Fuse 6.3A T/440V 6.3x32	026 809
	Fuse 8A T/440V 6.3x32	241 866
	Fuse 12.5A T/440V 6.3x32	232 367

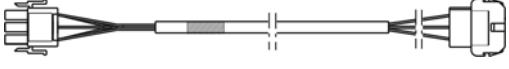
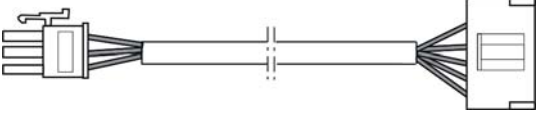

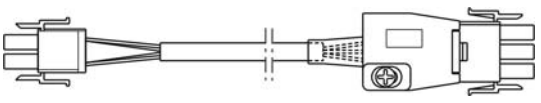
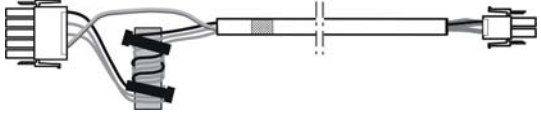
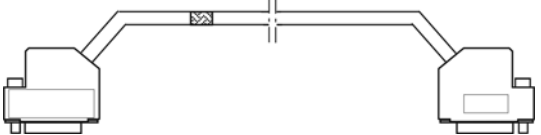
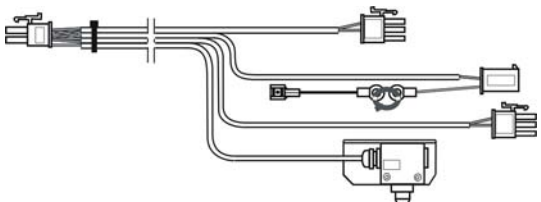
Trailing cable

Designation	ID	Designation	ID
Trailing cable set 730T okc	243 277		
Cable impulse giver at the rear XL136 730S OKC	240 599	Cable SM at the rear XL325 730T OKC	243 567
Cable impulse giver at the front XL137 730S OKC	240 600	Cable SM at the front XL325, 730T OKC	243 569
			
Cable yarn carrier 730S OKC	241 836	Cable signal at the rear XL326 730T OKC	243 568
		Cable signal at the front XL328 730T OKC	243 570
			

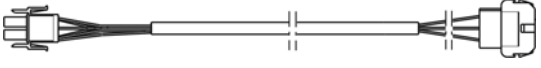
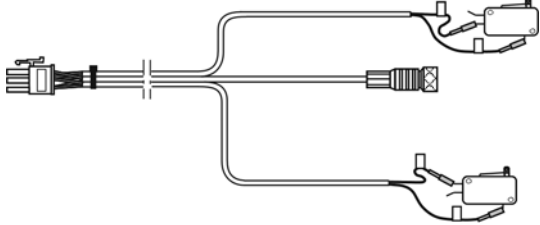
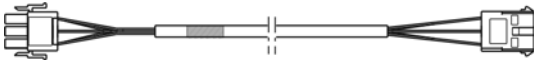
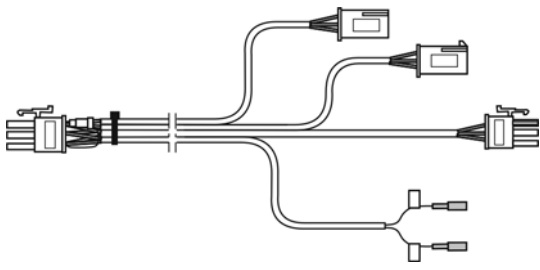
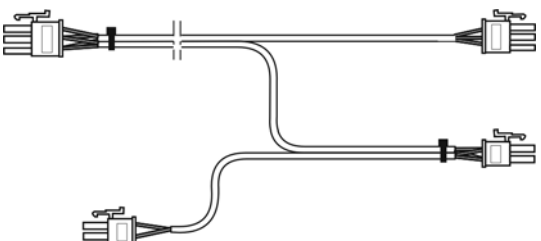
Loom of cables base 1 OKC

<i>Designation</i>	<i>ID</i>	<i>Designation</i>	<i>ID</i>
Loom of cables base 1 OKC	240 256		
Cable engaging OKC 3XX	240 289	Cable mains supply FKE lamp OKC	240 290
			
Cable protective unit on the left OKC	238 705		
			

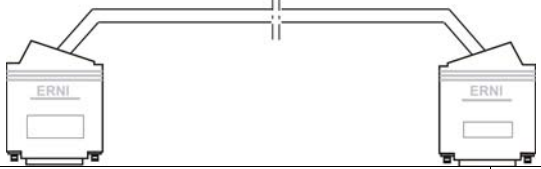

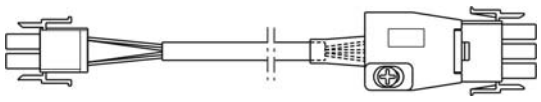


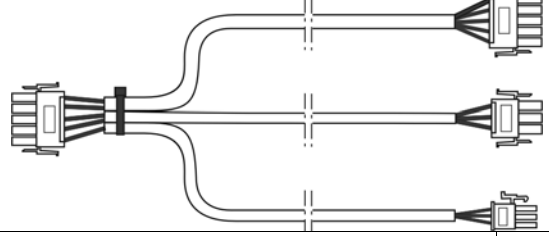
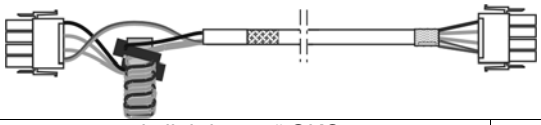

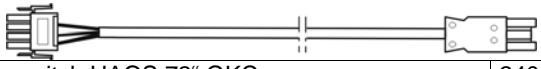
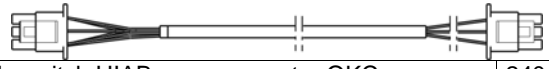
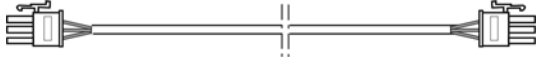
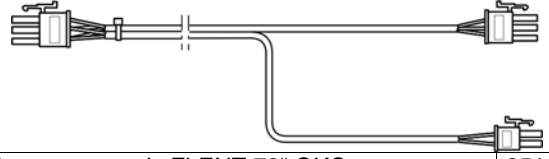
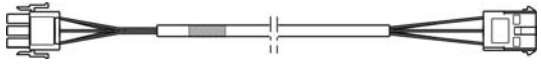
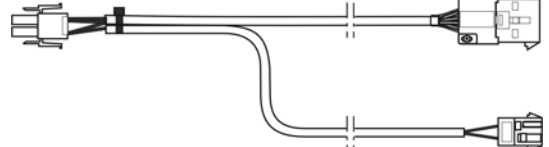
Loom of cables base 2 OKC

<i>Designation</i>	<i>ID</i>	<i>Designation</i>	<i>ID</i>
Loom of cables base 2 OKC	240 257		
Cable motor HAAB OKC	240 291	Cable racking limit switch OKC	240 292
			
Cable ventilator drive OKC	240 293	Cable feed wheel on the right OKC	240 294
			
Cable drive motor OKC	240 295	Cable resolver drive OKC	240 296
Cable racking motor OKC	240 297	Cable resolver racking OKC	240 298
			
Cable protective unit on the right OKC	238 706		
			

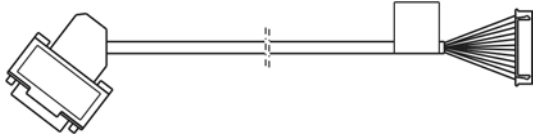
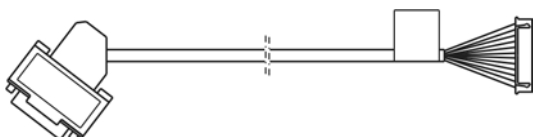
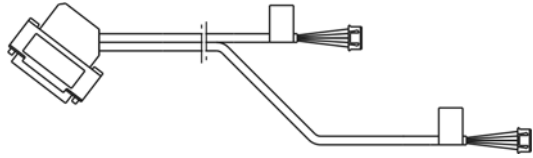
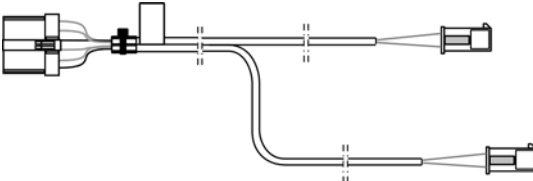
Loom of cables comb

<i>Designation</i>	<i>ID</i>	<i>Designation</i>	<i>ID</i>
Loom of cables comb OKC	240 259		
Cable motor comb hook OKC	240 308	Cable switch KAHA OKC	240 309
			
Cable motor comb OKC	240 310	Cable switch comb OKC	240 311
			
Cable switch HAAB OKC	240 312		
			

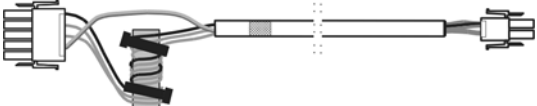
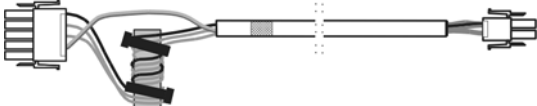
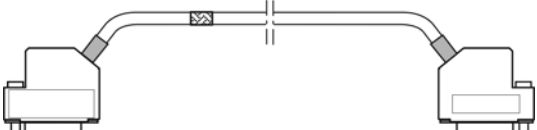
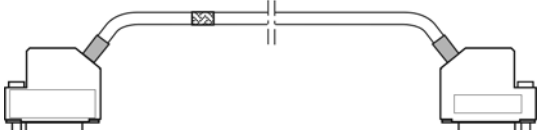
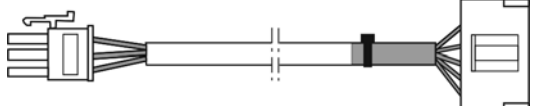
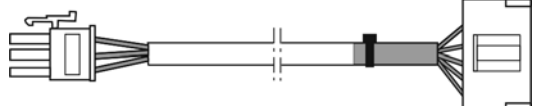
Loom of cables 72"

Designation	ID	Designation	ID
Loom of cables 72" OKC	240 588		
Cable CAN 72"	240 460	Cable electro 72" OKC	240 462
			
Cable feed wheel on the left 72" OKC	240 465	Cable motor HIAB 72" OKC	240 590
			
Cable switch HIAB 72" OKC	240 591	Cable power supply WAZ/F 72" OKC	240 470
			
Cable power supply Servo 72"	240 503	Cable power supply of mains supply OKC	236 573
			
Cable power supply lighting 72" OKC	240 506	Cable motor HAAB OEF/S 72" OKC	240 610
			
Cable switch HAOS 72" OKC	240 611	Cable switch HIAB pressure motor OKC	240 593
			
Cable HIAB pressure motor OKC	240 592	Cable power supply FLENT 72" OKC	251 242
			

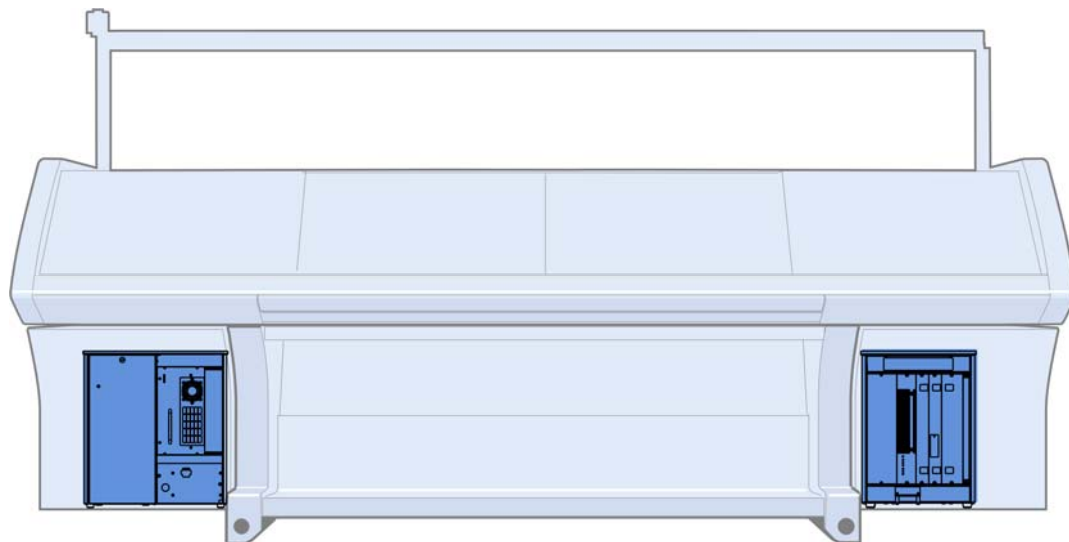
Loom of cables 730T/1

Pos	Designation	ID	Pos	Designation	ID
Σ	Loom of cables 730T/1 okc	243 271			
	Cable CC drive on the right okc	240 613		Cable CC drive on the left okc	240 612
					
	Cable CC sensors 72" okc	240 614		Cable Piezo additional bed 730T OKC	243 550
					

Loom of cables 730T/2

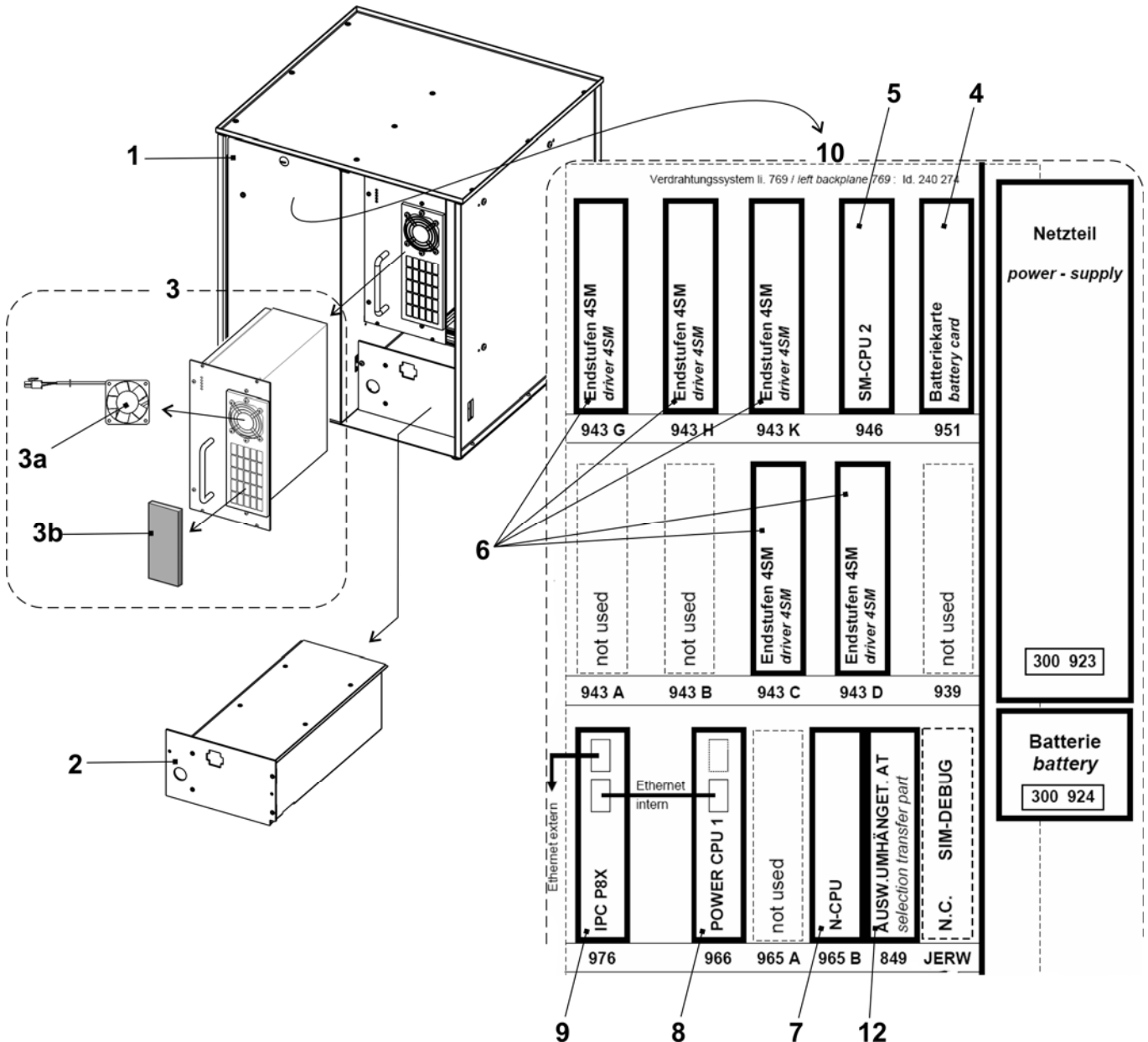
Pos	Designation	ID	Pos	Designation	ID
Σ	Loom of cables 730/2 OKC	243 272			
	Cable racking motor ZB rear 730T	243 544		Cable racking motor ZB front/right 530T	243 547
					
	Cable resolver ZB at the rear	243 545		Cable resolver racking ZB front/right	243 548
					
	Cable racking limit switch ZB rear 730T	243 546		Cable racking limit switch ZB front/right	243 549
					

Control electronics



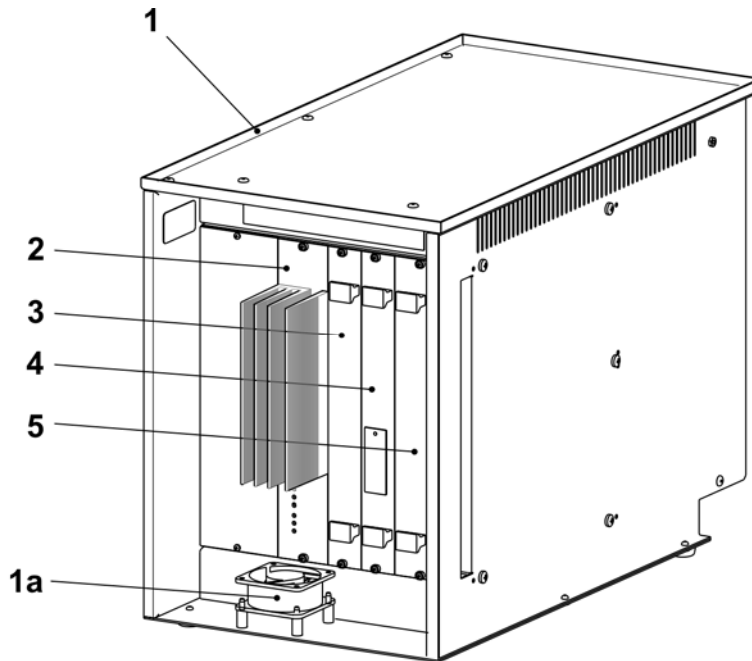
Left control cabinet

Pos	Designation	ID	Pos	Designation	ID
Σ	Control unit on the left complete 530T okc	240 760	5	Card SM-CPU 2	300 946
1	Control unit on the left without equipment okc	240 757	6	Card amplifier 4SM 7TE	300 943
2	Battery plug-in unit	300 924	7	Card N-CPU 432	300 965
3	Power supply CG54	300 923	8	Card power CPU1	300 966
	3a Ventilator power supply	239 305	9	Card IPC P8X OKC	300 976
	3b Filter mat CG54	239 350	10	Adhesive label of card equipment	243 268
4	Card battery OKC	300 951	12	Card selection transfer part	300 849

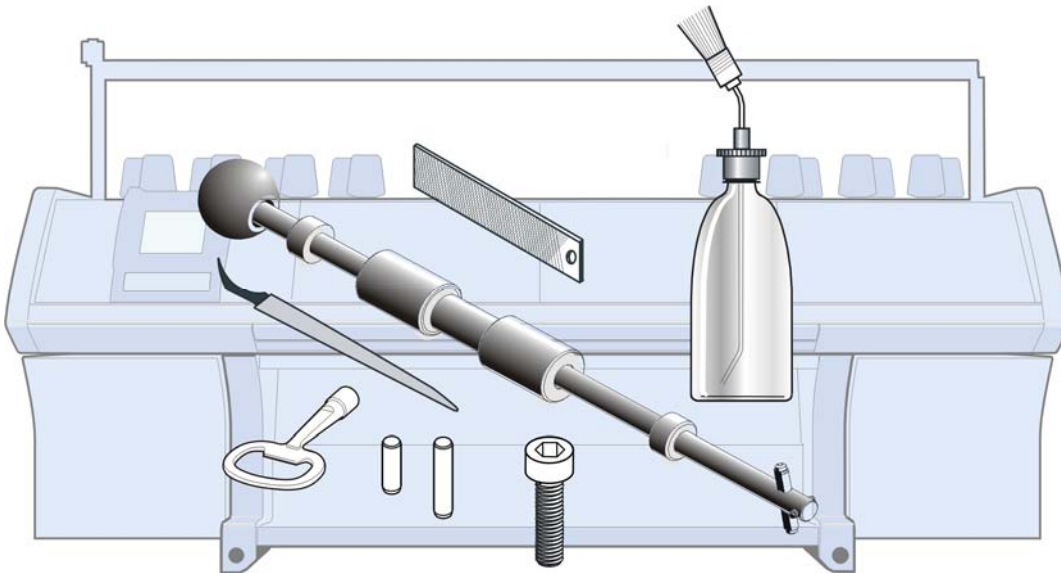


Right control cabinet

Pos	Designation	ID	Pos	Designation	ID
Σ	Control unit on the right co. 4A 730T okc	241 311			
1	Control unit on the right without equipment 4A okc	241 322	3	Card relay OKC	300 953
1a	Axial ventilator Servo05	229 059	4	Card CWAZ	300 929
2	Card servo 6 okc	301 000	5	Card CWAZ capacitor	300 936



Deliverable accessories

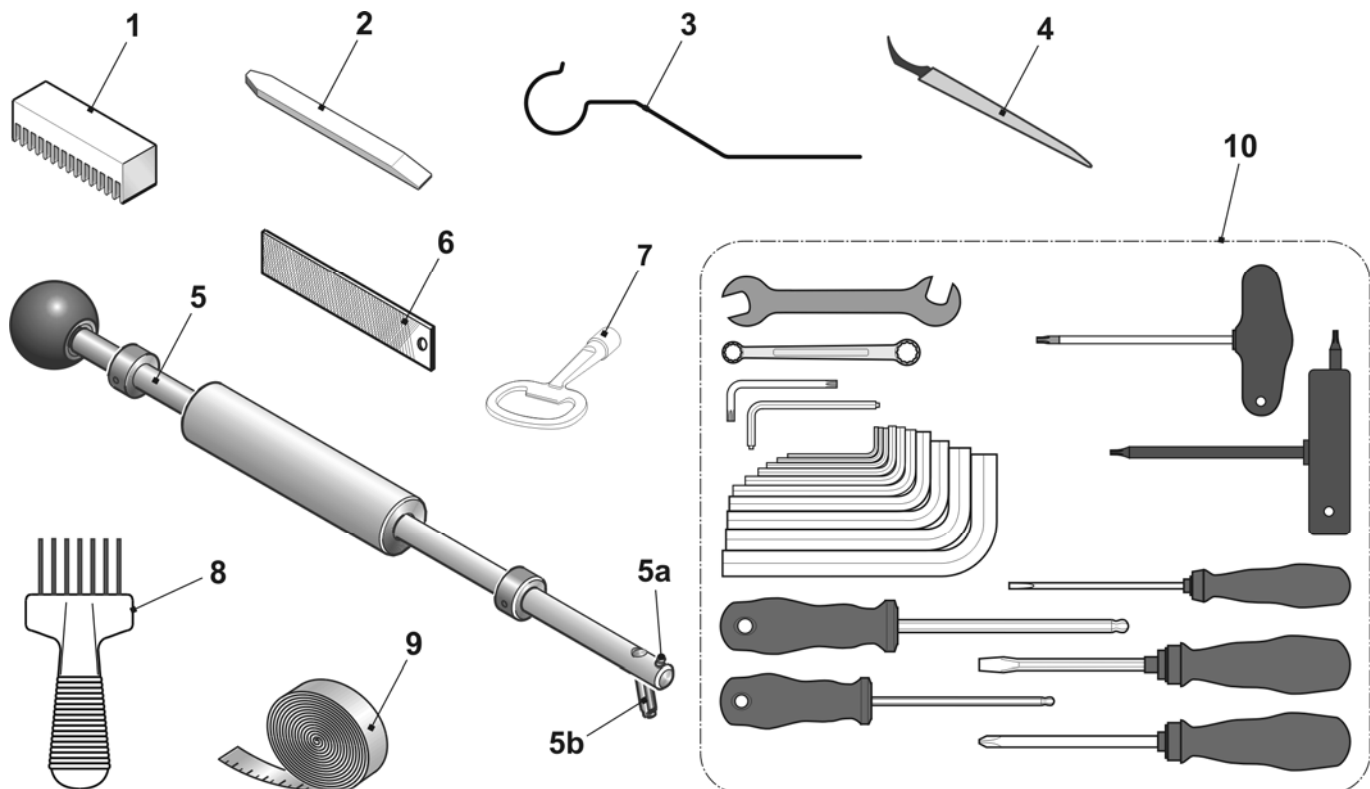


You can order the following tools, lubricants and expendables.

The following list is not conformed with the scope of delivery of the knitting machine.

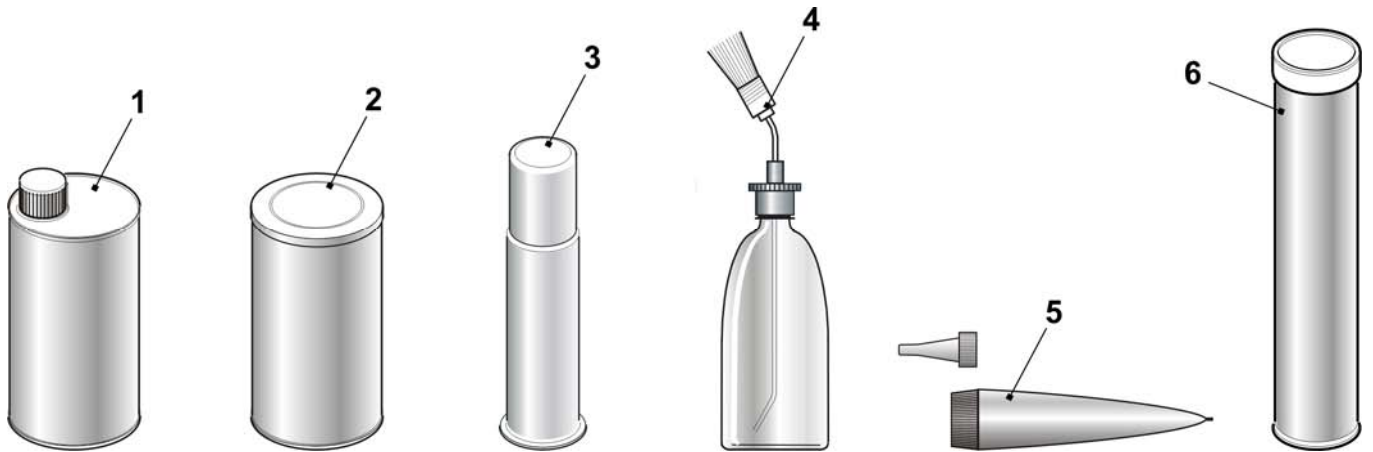
Tool

Pos	Designation	ID	Pos	Designation	ID	
1	Channel support E4	062 309	6	Groove file 1.33 mm E3-4	006 169	
	Channel support E5, E2,5.2	062 310		Groove file 1.25 mm E5-8, E3,5.2	006 170	
	Channel support E7, E3,5.2	062 312		Groove file 0.90 mm E10-12, E5.2 + 6.2	006 175	
	Channel support E8	062 313		Groove file 0.73 mm E14, E7.2	006 173	
	Channel support E10, E5.2	062 314		Groove file 0.45 mm E16-18, E9.2	006 179	
	Channel support E12, E6.2	062 315		7	Key of switch cabinet	009 346
	Channel support E14, E7.2	218 069	8		Groove cleaner E4	031 232
	Channel support E16, E8.2	230 188			Groove cleaner E5	031 233
	Channel support E18, E9.2	230 189			Groove cleaner E6	031 234
	Channel support E20	230 190		Groove cleaner E7, E3,5.2	031 235	
2	Channel chisel E14-20 (E5-14)	062 316		Groove cleaner E8	031 236	
	Channel chisel E4-8 (E3,5.2)	062 317		Groove cleaner E10 (E5.2)	031 238	
	Channel chisel E10-14	062 318		Groove cleaner E12 (E6.2)	031 240	
3	Yarn guide on the left	227 071		Groove cleaner E14 (E7.2)	031 242	
	Yarn guide on the right	227 070		Groove cleaner E16	225 111	
4	Working hook	227 249		Groove cleaner E18 (E9.2)	225 112	
5	Extraction hook	232 027	Groove cleaner E20	225 113		
	5a Small pin	202 843	9	Measuring tape L=150 cm	228 180	
	5b Pin	232 022		10	Tool kit	209 527



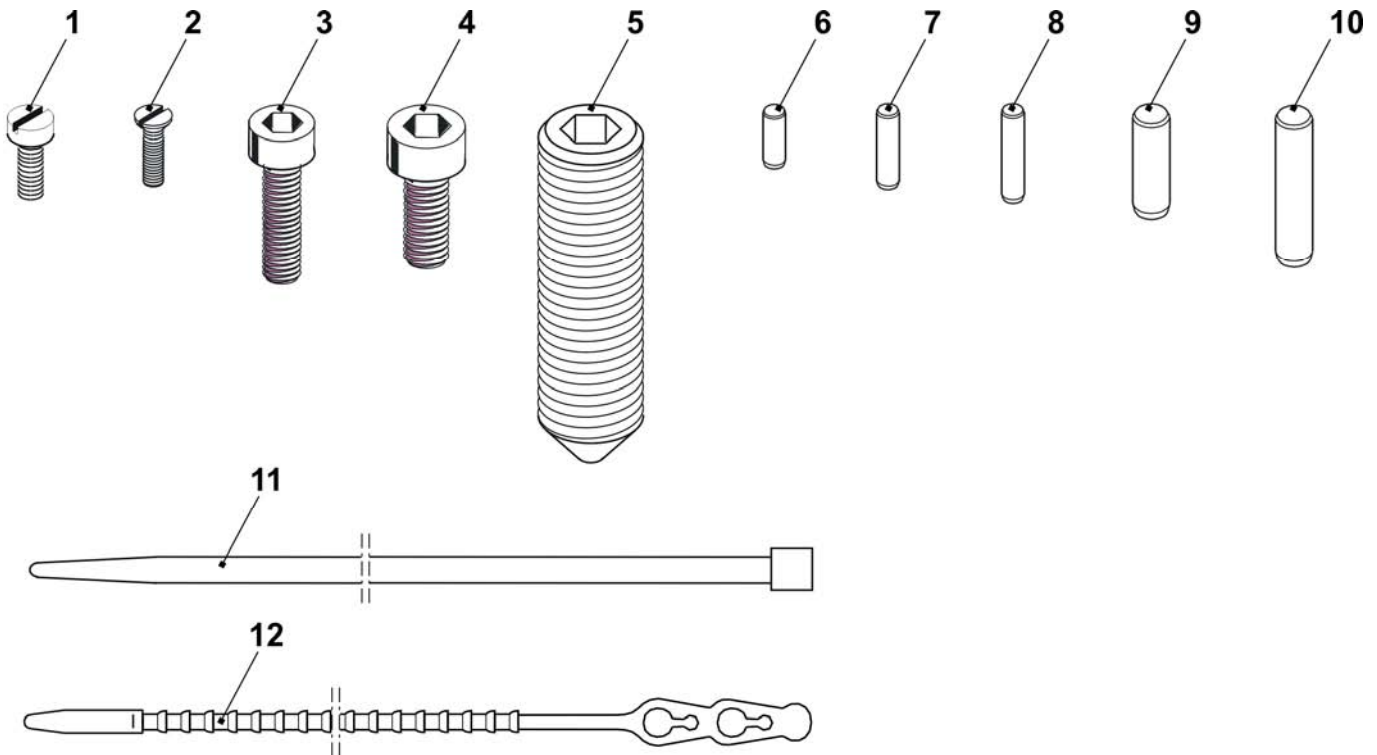
Lubricating stuff

Pos	Designation	ID	Pos	Designation	ID
1	Textile machines oil T46, 1l	230 614	4	Ölkombifix	216 732
2	Grease OKS 475, 1kg	009 200	5	White grease paste OKS270	229 372
3	Grease OKS 475, 150g	005 351	6	Grease Staburags NBU 12/300KP	231 191

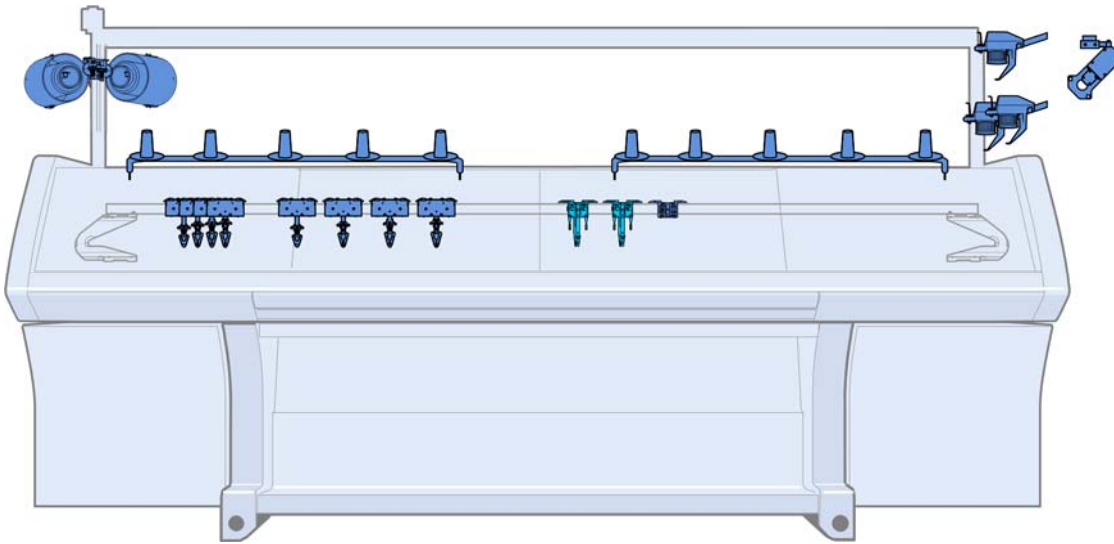


Mechanical parts

Pos	Designation	ID	Pos	Designation	ID
1	Cap screw M4x8	020 091	11	Cable binder 203x3.6 mm	025 815
2	Countersunk screw M3x6	020 286		Cable binder T50L	026 294
3	Cap screw M5x16	022 726		Cable binder 140x3,6mm	008 379
4	Cap screw M6x14	022 658		Cable binder 302x4.8 mm	008 642
5	Set screw M16x50	023 235		Cable binder 92x2.4mm	008 378
6	Setting pin 3x7	020 643		12	Reusable tie ABV 232 320 mm
7	Setting pin 3x10	020 645			
8	Setting pin 3x12	020 647			
9	Setting pin 5x12	021 988			
10	Setting pin 5x18	022 622			

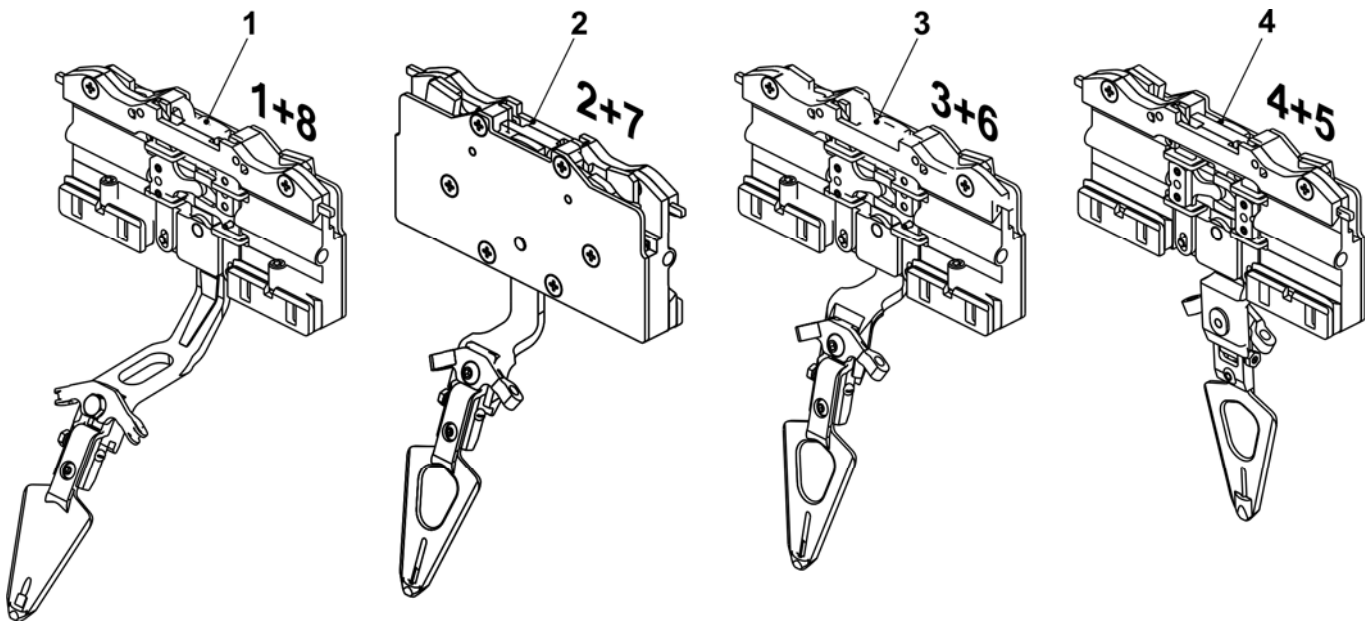


Special equipment



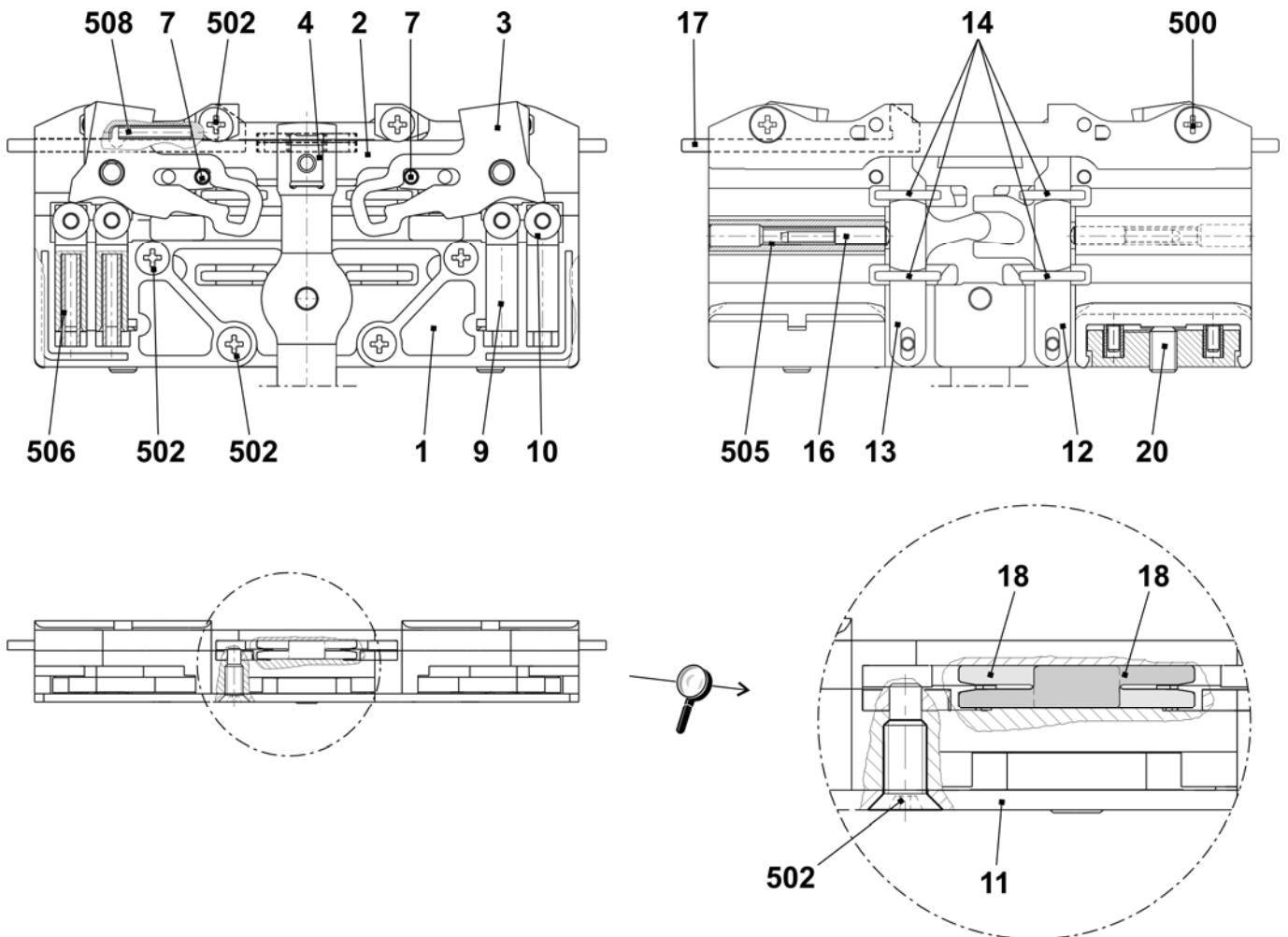
Complete intarsia yarn carriers

Pos	Designation	ID	Pos	Designation	ID
Σ	E6.2		Σ	E7.2(14)	
1	Intarsia YC carriage 1 + 8 complete	212 975	1	Intarsia YC carriage 1 + 8 complete	214 146
2	Intarsia YC carriage 2 + 7 complete	212 978	2	Intarsia YC carriage 2 + 7 complete	214 147
3	Intarsia YC carriage 3 + 6 complete	212 981	3	Intarsia YC carriage 3 + 6 complete	214 148
4	Intarsia YC carriage 4 + 5 complete	212 984	4	Intarsia YC carriage 4 + 5 complete	214 149
Σ	E7.2 + E6.2(12)				
1	Intarsia YC carriage 1 + 8 complete	212 976			
2	Intarsia YC carriage 2 + 7 complete	212 979			
3	Intarsia YC carriage 3 + 6 complete	212 982			
4	Intarsia YC carriage 4 + 5 complete	212 985			



Carriage IYC

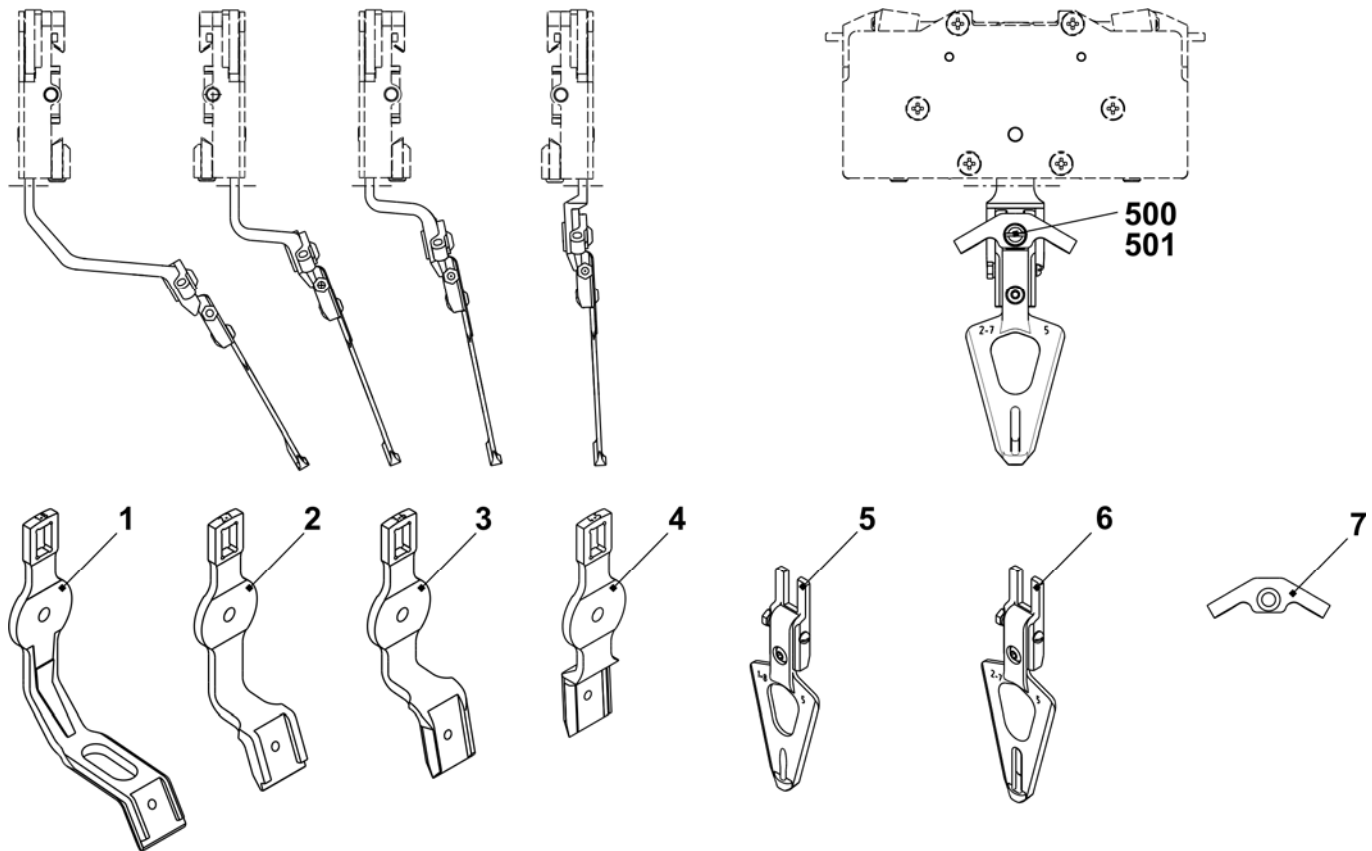
Pos	Designation	ID	Pos	Designation	ID
1	Basic plate complete	216 031	14	Pressure plate 2,04	201 654
	20 Threaded bolt	213 399		Pressure plate 2,06	208 924
2	Slider complete	217 170		Pressure plate 2.02	235 740
3	Locking plunger	212 508	16	Spring pin	201 677
4	Sliding block	213 807	17	Lifter	212 547
7	Locating pin 3,3	212 504	18	Sliding part	212 543
	Locating pin 3,4	212 505	20	Threaded bolt	213 399
	Locating pin 3.5	212 506	500	Countersunk head screw M4x6	022 994
9	Thrust piece	212 773	502	Countersunk head screw M4x12.5	022 979
10	Pressure roller	212 774	505	Compression spring 0,4x3,2x26,5	022 982
11	Cover	212 507	506	Compression spring 4.0x0.7x25	022 969
12	Clamping lever on the right	216 087	508	Compression spring 2.8x0.35x19	023 394
13	Clamping lever on the left	216 0 88			



Bow and head IYC

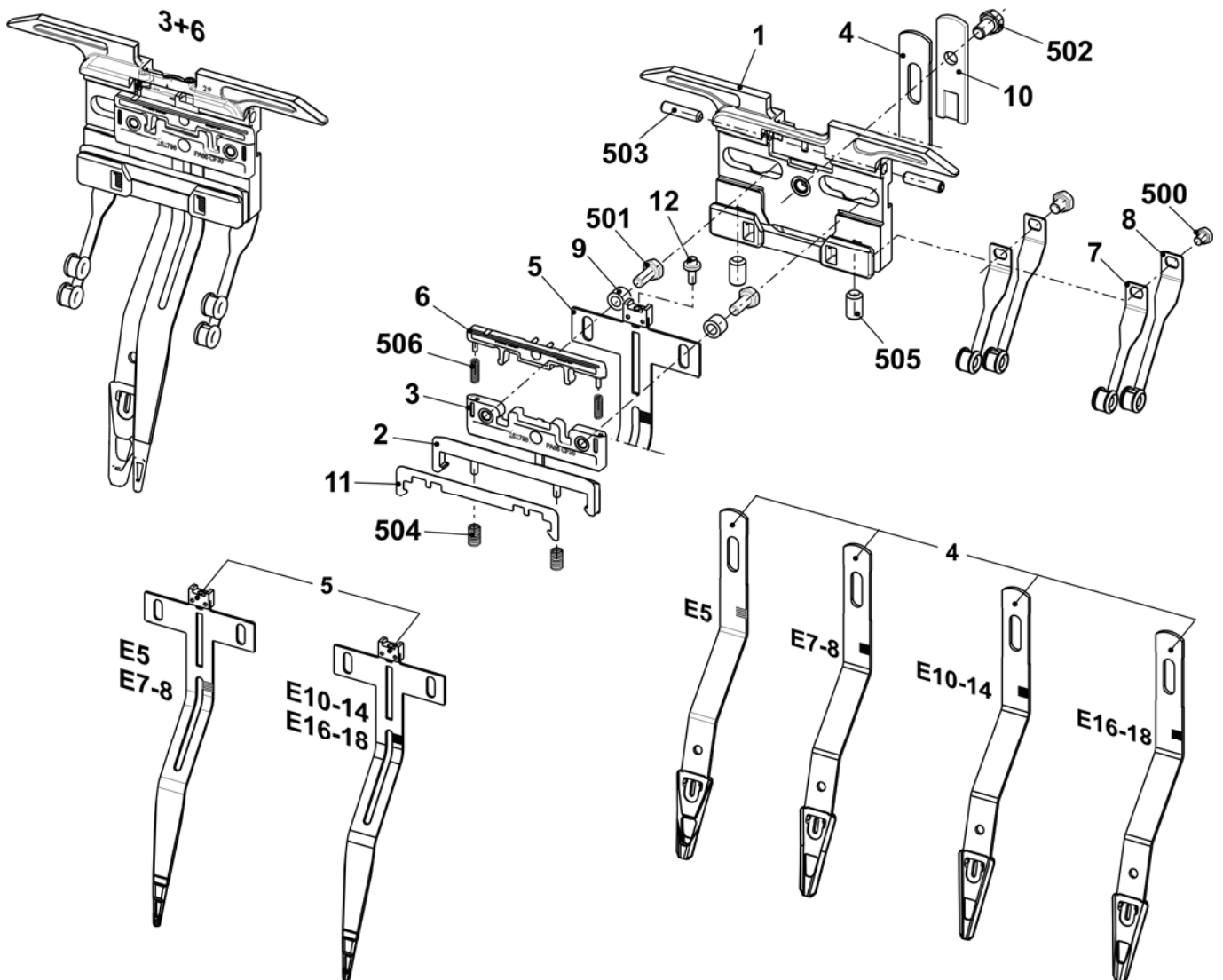
Pos	Designation	ID	Pos	Designation	ID
1	YC bow 1+8	212 986	7	Yarn guide angle	201 672
2	YC bow 2+7	212 987	500	Countersunk screw M4x8	023 579
3	YC bow 3+6	212 988	501	Circlip S4-FST	022 774
4	YC bow 4+5	212 989			

Pos	Designation	Gauge	Track	ID	Pos	Designation	Gauge	Track	ID
5	YC head	E6.2	1 + 8	208 580	6	YC head	E6.2	2 + 7	208 582
		E7.2 + E6.2(12)		209 700			E7.2 + E6.2(12)	3 + 6	209 701
		E7.2(14)		213 864			E7.2(14)	4 + 5	213 865



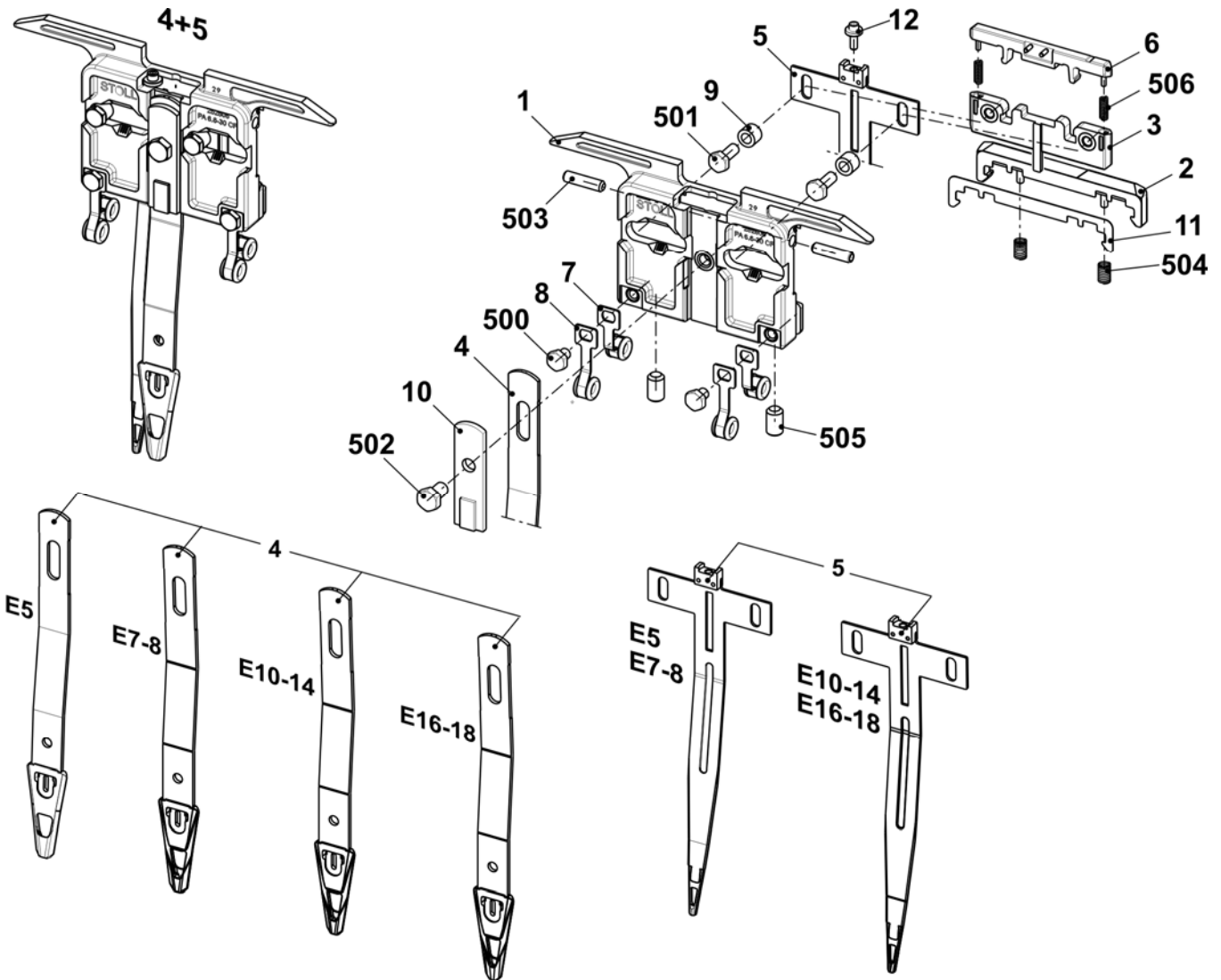
Plating yarn carrier 3+6

Pos	Designation	ID	Pos	Designation	ID
Σ	Plating yarn carrier carriage 3+6 co.		6	Sliding part	252 797
	E5 (E5.2+E2,5.2+E3,5.2)	252 782			
	E7-8 (E6.2)	252 784			
	E10-14 (E7.2+E8.2+E9.2)	252 786			
	E16-18	252 788	7	Eyelet holder complete	252 825
1	Plating yarn carrier carriage	252 806	8	Eyelet holder complete	252 824
2	Sliding part	212 583	9	Spacer	252 796
3	Slider	252 798	10	Shim	213 035
4	Plating yarn carrier bow 3+6		11	Shim	216 143
	E5 (E5.2+E2,5.2+E3,5.2)	252 820	12	Adjusting screw	253 436
	E7-8 (E6.2)	252 821	500	Hexagon screw M4x5	243 779
	E10-14 (E7.2+E8.2+E9.2)	252 822	501	Hexagon screw M4x10	020 346
	E16-18	252 823	502	Hexagon screw	252 832
5	Plating yarn carrier bow 3+6 E5-8	252 800	503	Grub screw M4x16	254 196
	Plating yarn carrier bow 3+6 E10-18	252 808	504	Compression spring	021 399
			505	Threaded bolt	213 399
			506	Compression spring	253 058



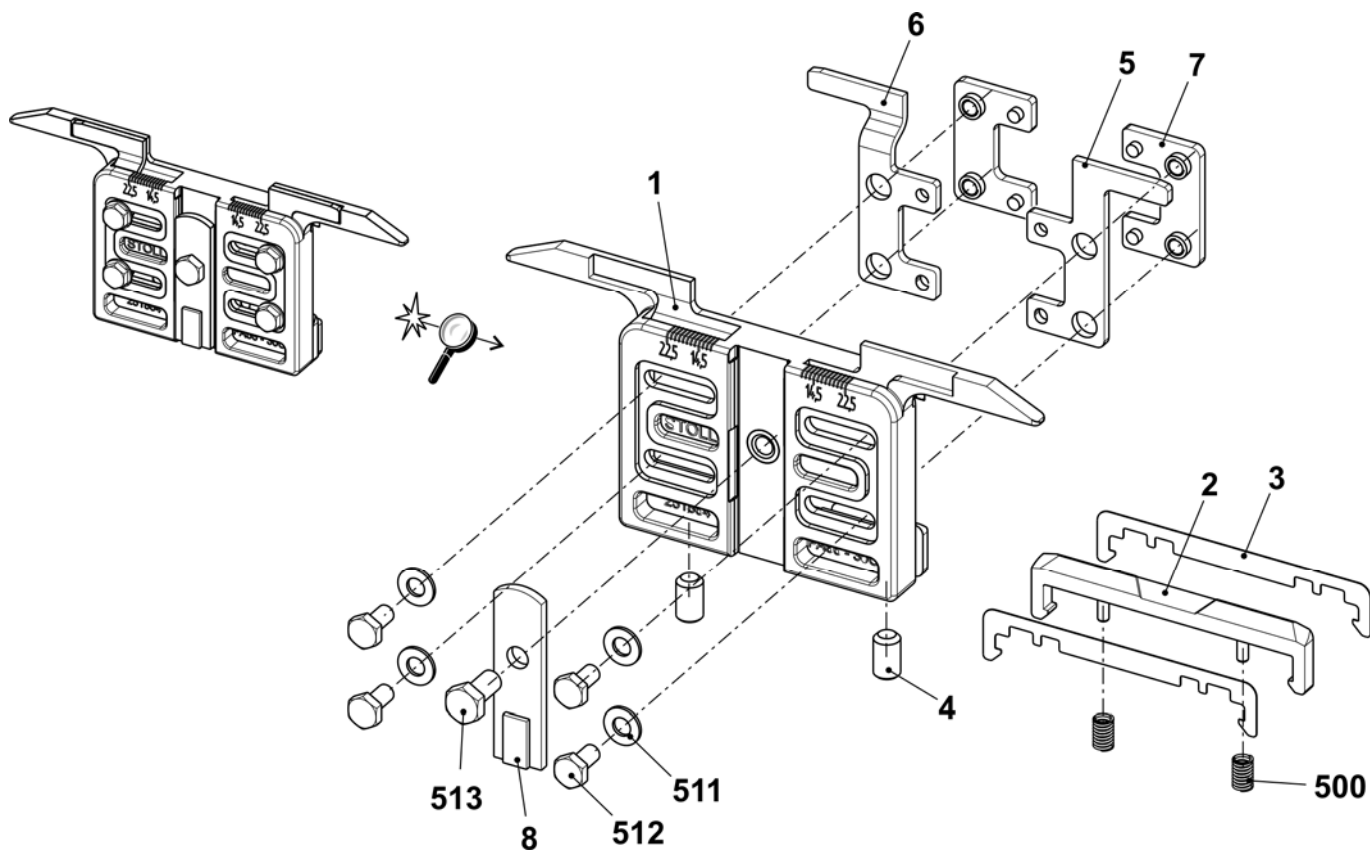
Plating yarn carrier 4+5

Pos	Designation	ID	Pos	Designation	ID
Σ	Plating yarn carrier carriage 4+5 co.				
	E5 (E5.2+E2,5.2+E3,5.2)	252 781	6	Sliding part	252 797
	E7-8 (E6.2)	252 783	7	Eyelet holder complete	252 815
	E10-14 (E7.2+E8.2+E9.2)	252 785	8	Eyelet holder complete	252 816
	E16-18	252 787	9	Spacer	252 796
1	Plating yarn carrier carriage	252 806	10	Shim	213 035
2	Sliding part	212 583	11	Shim	216 143
3	Slider	252 798	12	Adjusting screw	253 436
4	Plating yarn carrier bow 4+5		500	Hexagon screw M4x5	243 779
	E5 (E5.2+E2,5.2+E3,5.2)	252 790	501	Hexagon screw M4x10	020 346
	E7-8 (E6.2)	252 791	502	Hexagon screw	252 832
	E10-14 (E7.2+E8.2+E9.2)	252 792	503	Grub screw M4x16	254 196
	E16-18	252 793	504	Compression spring	021 399
5	Plating yarn carrier bow 4+5 E5-8	252 799	505	Threaded bolt	213 399
	Plating yarn carrier bow 4+5 E10-18	252 807	506	Compression spring	253 058



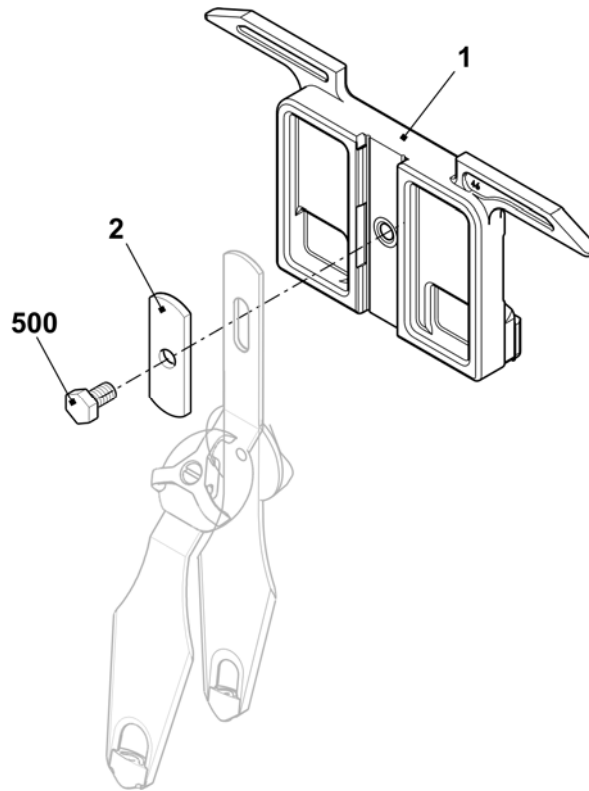
Carriage of plating yarn carrier (adjustable)

Pos	Designation	ID	Pos	Designation	ID
Σ	Plating yarn carrier carriage co.	251 867			
1	Carriage of yarn carrier	251 864	7	Guiding part	253 226
2	Sliding part	212 583	8	Shim	213 035
3	Shim	216 143	500	Compression spring	021 399
4	Threaded bolt	213 399	511	U-washer 4	022 481
5	Insert on the right	251 866	512	Hexagon screw M4x8	022 461
6	Insert on the left	251 865	513	Hexagon screw M5x10	020 351



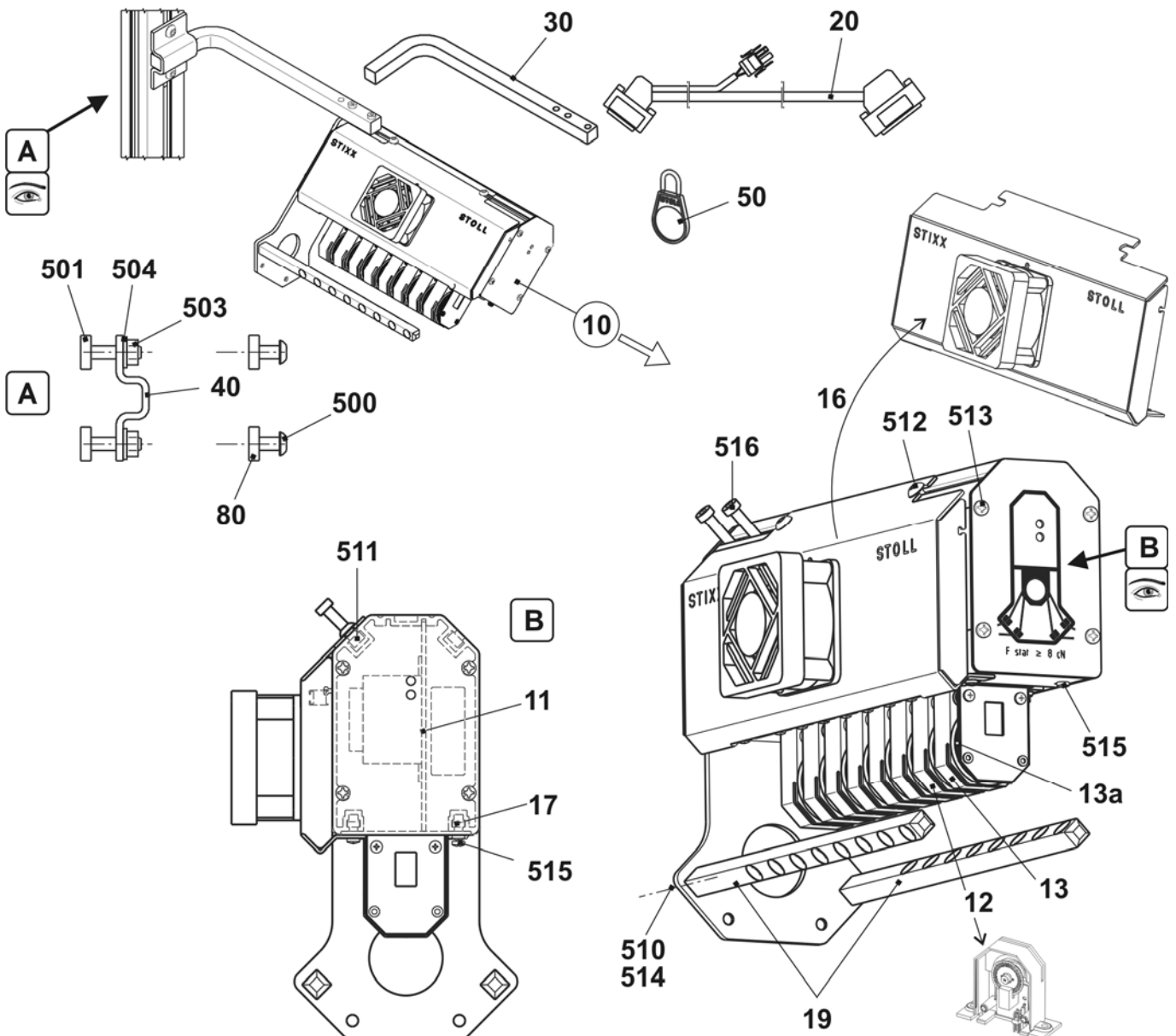
Carriage of plating yarn carrier (46mm)

Pos	Designation	ID	Pos	Designation	ID
Σ	Plating yarn carrier E5-18	244 998	2	Shim	213 035
1	YC carriage MW46	244 253	500	Hexagon screw M5x10	020 351



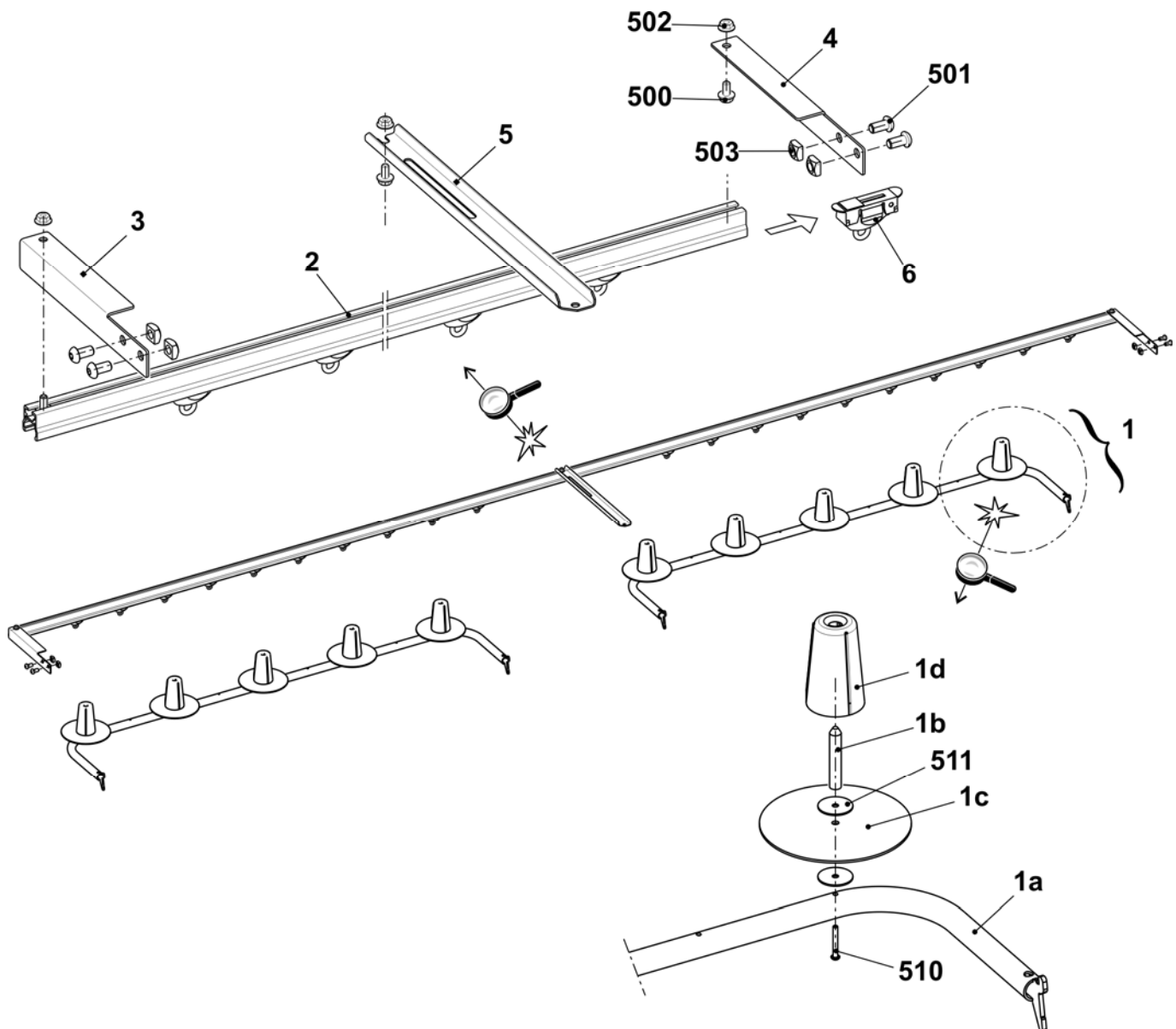
Yarn length measuring device

Pos	Designation	ID	Pos	Designation	ID
Σ	Yarn length measuring device co.	228 943	10	Yarn length measuring device 3	236 275
20	Cable length measuring	236 718	11	Card FLM CPU	300 934
30	Support	223 029	12	Sensor	211 354
40	Clamp	228 583	13	Sensor complete	212 406
50	Setting weight	212 241	13a	Rubber running ring	212 390
80	Threaded bar	200 223	16	Ventilator complete	212 255
500	Countersunk screw M8x16	023 113	17	Threaded bar	211 801
501	Hammer head bolt M8X25	022 866	19	Yarn guide rod	211 352
503	Hexagon nut M8-6	020 838	510	Pan-head screw M5x10	023 247
504	U-washer 8,4	023 248	511	Spring nut M5	022 873
			512	Pan-head screw M5x6	023 246
			513	Sheet metal screw ST3.5x13	022 940
			514	Spring washer A5	022 454
			515	Oval head screw with washer M3x10	023 380
			516	Cap screw M5x22	023 193



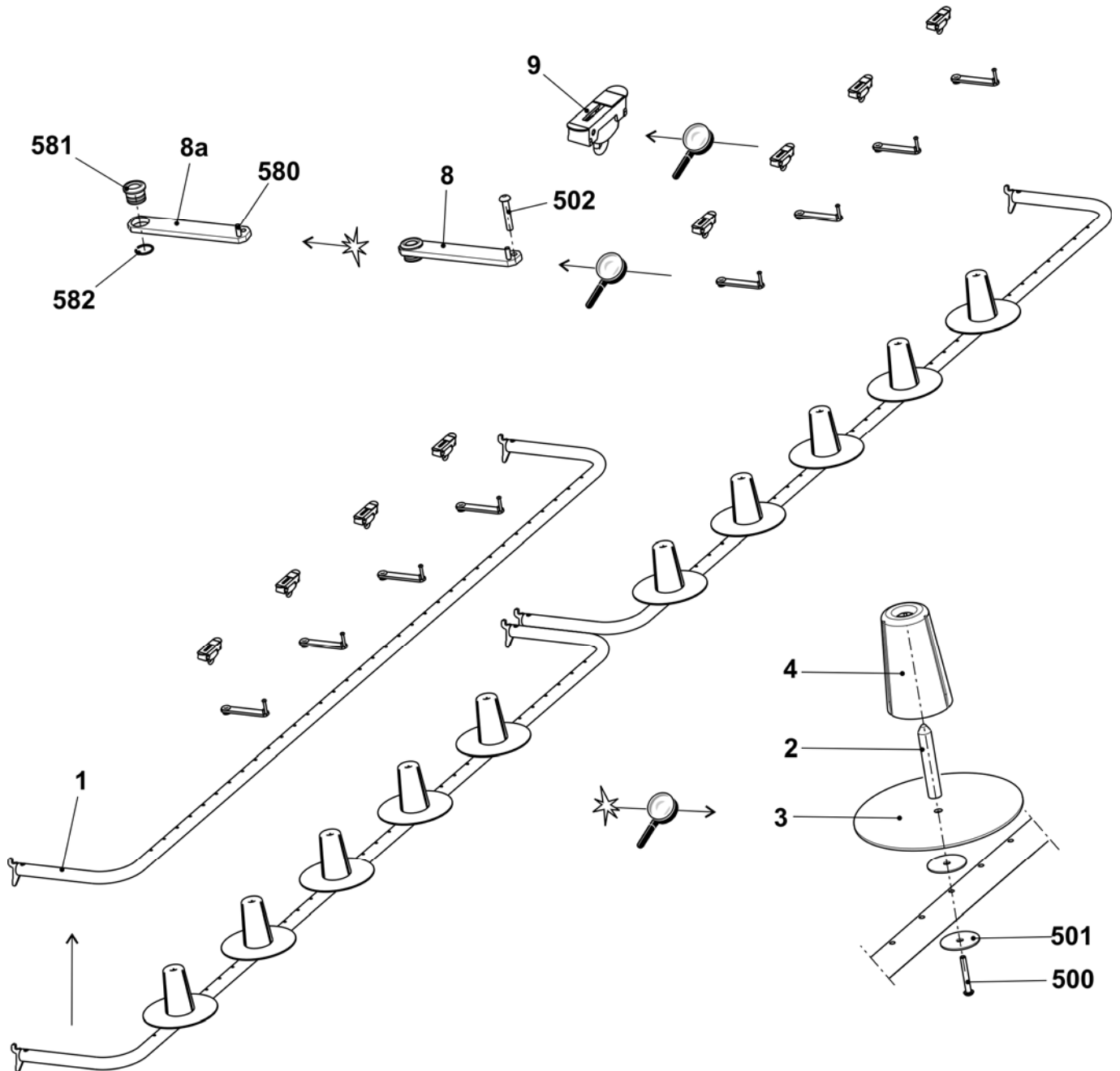
Additional board retrofit kit

Pos	Designation	ID	Pos	Designation	ID
Σ	Additional board retrofit kit 7XX	243 777			
1	Additional board 7XX/8XX	241 928	3	Support on the left	243 602
1a	Additional board welded	241 927	4	Support on the right	243 603
1b	Positioning pin	202 777	5	Support	239 295
1c	Disc D=130	062 385	6	Yarn guide bracket complete	241 581
1d	Bobbin support	200 363	500	Self-locking screw M6x12	023 415
510	Pan-head screw M4x30	023 681	501	Pan-head screw M8x16	023 113
511	Washer 5.3x30x1.25	023 556	502	Ribbed lock washer M6-10	023 414
2	Yarn guide bar 72"	228 596	503	Square nut M8	023 269



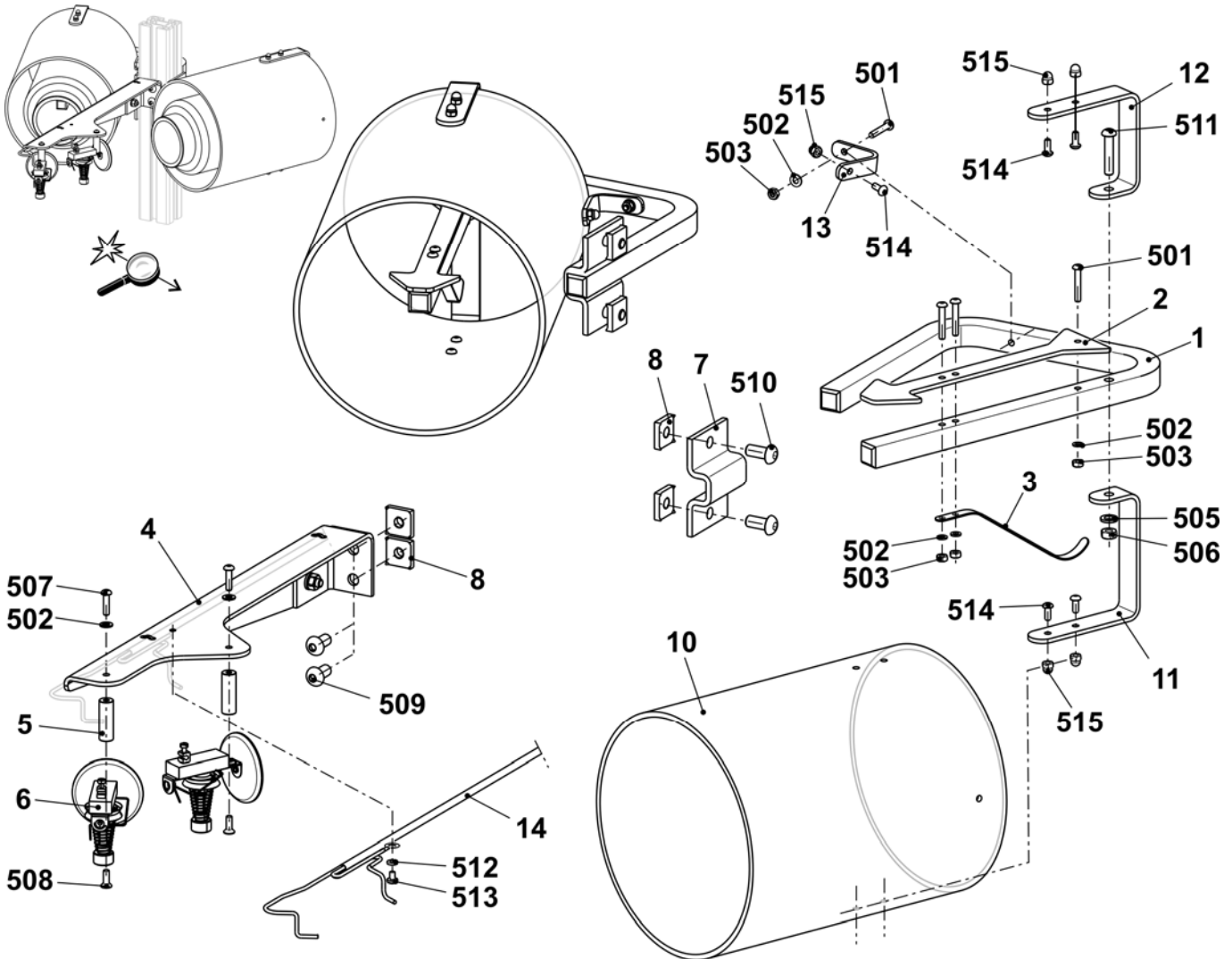
Additional board at the bottom

Pos	Designation	ID	Pos	Designation	ID
Σ	Additional board 7XX at the bottom	253 645	502	Pan-head screw M4x25	023 511
1	Additional board welded	253 470	8	Yarn guide	243 765
2	Positioning pin	202 777	8a	Guiding part	243 623
3	Disc D=130	062 385	580	Setting pin 3x12	020 647
4	Bobbin support	200 363	581	Eyelet 8	021 504
500	Pan-head screw M4x30	023 681	582	Snap ring A12	020 996
501	Washer 5.3x30x1.25	023 556	9	Yarn guide bracket complete	241 581



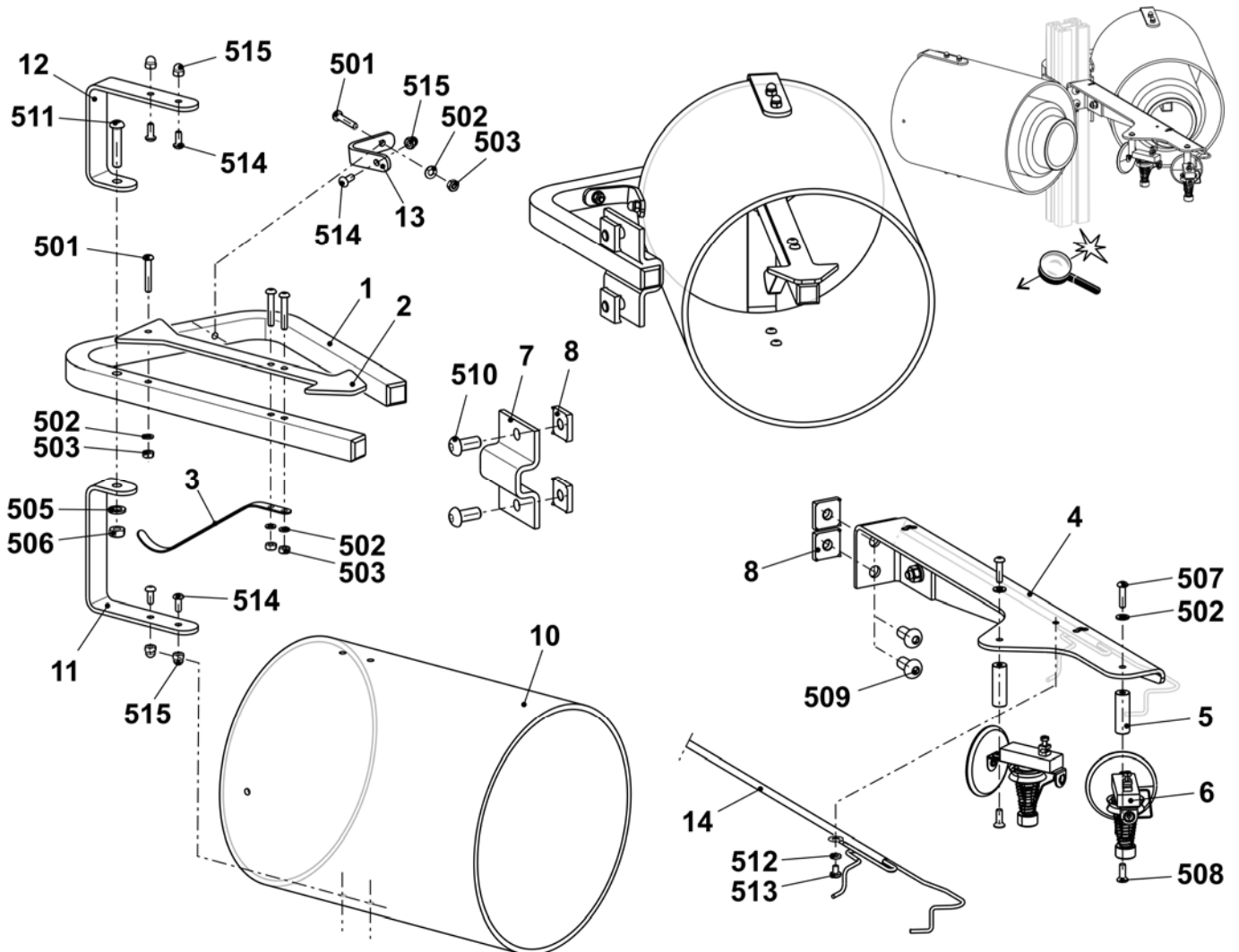
Bobbin holder on the left

Pos	Designation	ID	Pos	Designation	ID
Σ	Bobbin holder on the left	253 965	501	Countersunk screw M4x25	023 511
1	Support	253 969	502	U-washer 4	022 481
2	Support	252 769	503	Hexagon nut M4-6	022 536
3	Leaf spring	253 350	505	U-washer 6	022 431
4	Support left	253 347	506	Hexagon nut M6-6	022 899
5	Spacer	253 349	507	Countersunk screw M4x16	023 412
6	Yarn detector Massardi	226 964	508	Countersunk screw M4x12	023 062
7	Clamp	228 583	509	Countersunk screw M8x16	023 113
8	Sliding block	228 851	510	Countersunk screw M8x18	251 331
10	Cover	253 968	511	Countersunk screw M6x30	023 451
11	Support angle	253 964	512	Disc A4,3	022 482
12	Support angle	253 963	513	Countersunk screw M4x6	022 946
13	Support angle	253 967	514	Countersunk screw M4x10	023 450
14	Cable plating	253 468	515	Cap nut M4-6	253 805



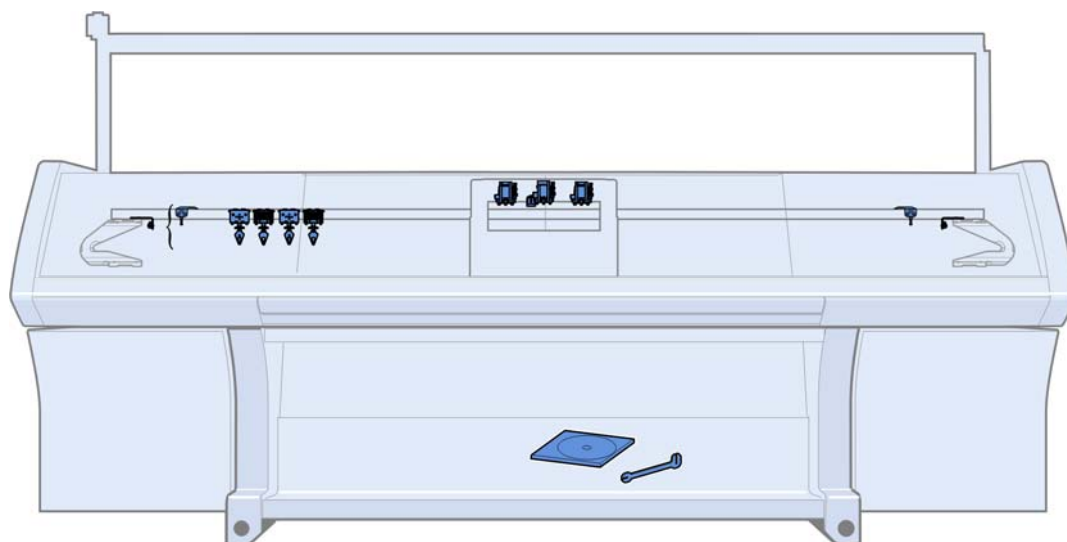
Bobbin holder on the right

Pos	Designation	ID	Pos	Designation	ID
Σ	Bobbin holder on the right	253 966	501	Countersunk screw M4x25	023 511
1	Support	253 969	502	U-washer 4	022 481
2	Support	252 769	503	Hexagon nut M4-6	022 536
3	Leaf spring	253 350	505	U-washer 6	022 431
4	Support right	253 348	506	Hexagon nut M6-6	022 899
5	Spacer	253 349	507	Countersunk screw M4x16	023 412
6	Yarn detector Massardi	226 964	508	Countersunk screw M4x12	023 062
7	Clamp	228 583	509	Countersunk screw M8x16	023 113
8	Sliding block	228 851	510	Countersunk screw M8x18	251 331
10	Cover	253 968	511	Countersunk screw M6x30	023 451
11	Support angle	253 964	512	Disc A4,3	022 482
12	Support angle	253 963	513	Countersunk screw M4x6	022 946
13	Support angle	253 967	514	Countersunk screw M4x10	023 450
14	Cable plating	253 468	515	Cap nut M4-6	253 805



Conversion kit 16 IYC type 2

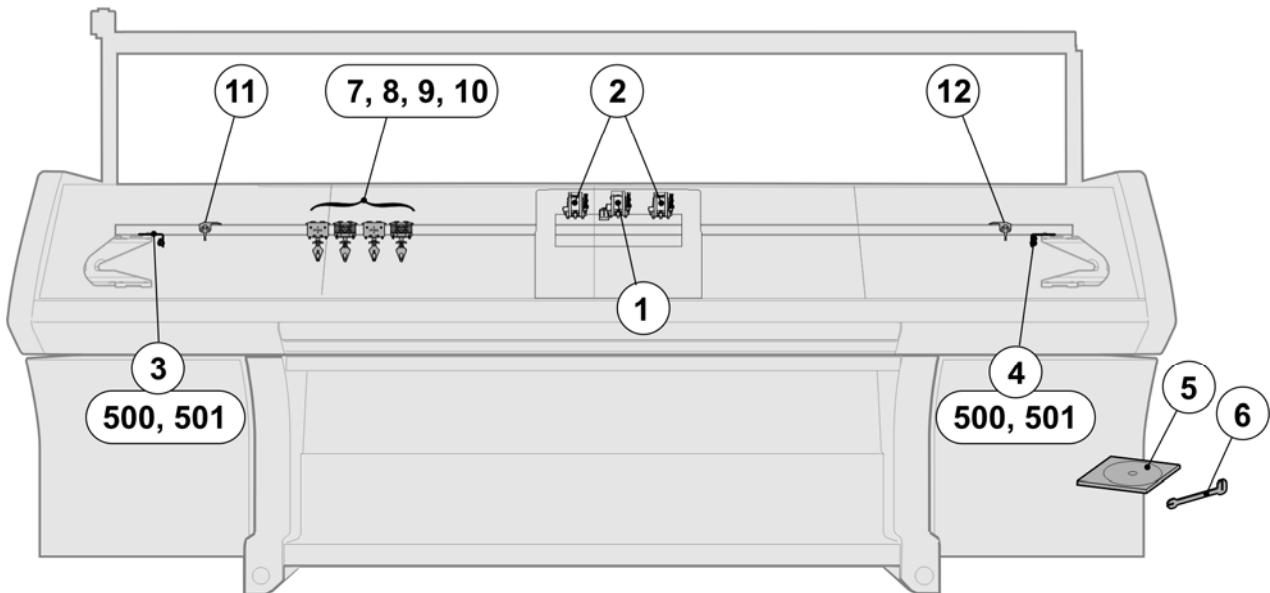
<i>Designation</i>	<i>Gauge</i>	<i>ID</i>
Conversion kit 16 IYC type 2	E6.2	254 902
Conversion kit 16 IYC type 2	E7.2	254 903



Overview of conversion kit E6.2 + E7.2

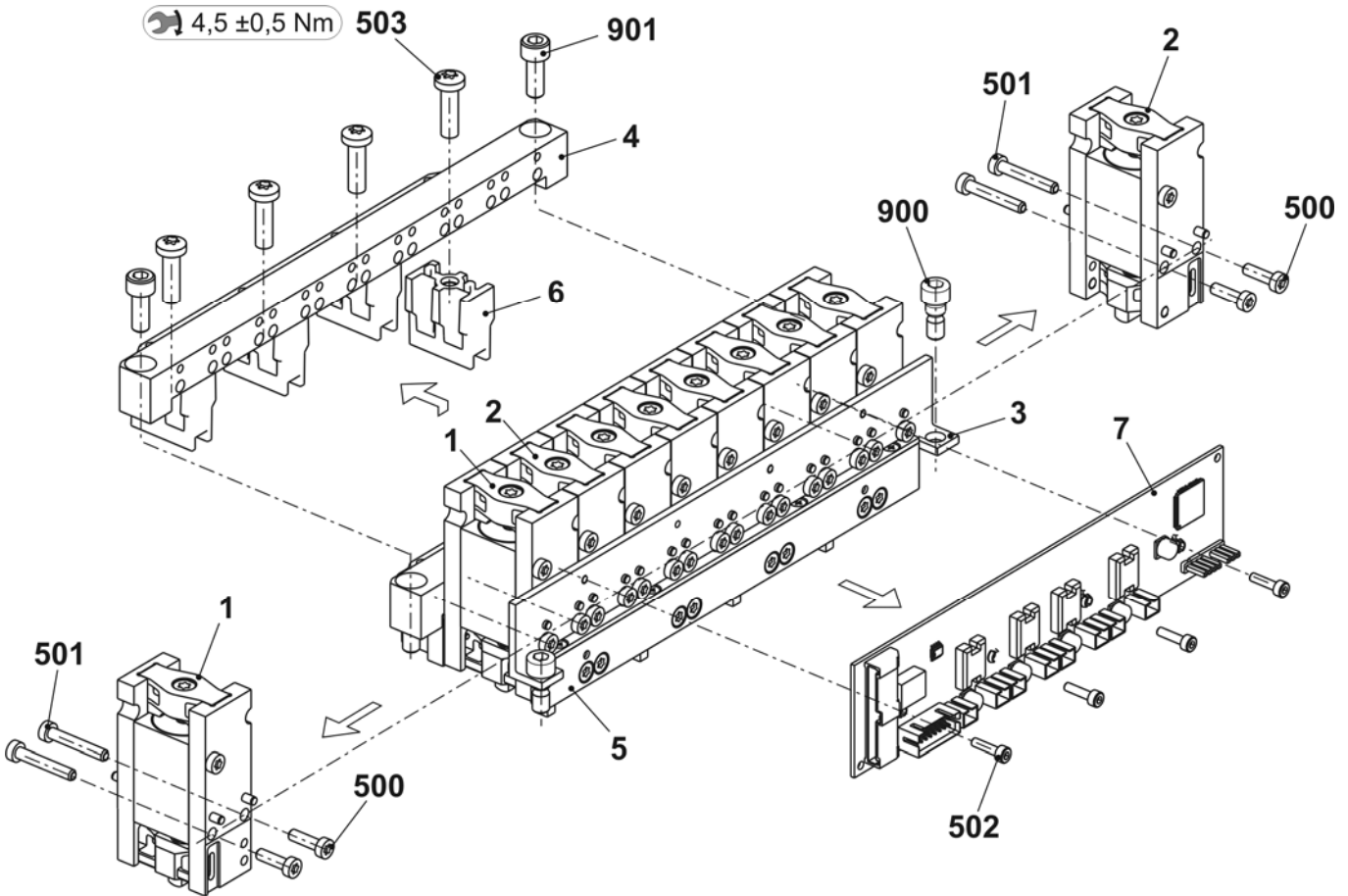
Pos	Designation	ID	Pos	Designation	ID
Σ	Conversion kit 16 IYC E6.2	254 902			
	Conversion kit 16 IYC E7.2	254 903			
1	YC driving in the middle complete	245 298	9	Intarsia YC carriage co. 3+6 E7-8 (E6.2)	250 325
2	YC driving outside complete	245 297		Intarsia YC carriage co. 3+6 E10-14 (E7.2)	250 329
5	DVD instructions conversion kit IYC	245 169	10	Intarsia YC carriage co. 4+5 E7-8 (E6.2)	250 326
6	Adjusting part for yarn carrier bow	250 119		Intarsia YC carriage co. 4+5 E10-14 (E7.2)	250 330
7	Intarsia YC carriage co. 1+8 E7-8 (E6.2)	250 323	11	Limiters on the left with 2 eyelets	244 446
	Intarsia YC carriage co. 1+8 E10-14 (E7.2)	250 327	12	Limiters on the right with 2 eyelets	244 445
8	Intarsia YC carriage co. 2+7 E7-8 (E6.2)	250 324	500	Cap screw M6x14	022 658
	Intarsia YC carriage co. 2+7 E10-14 (E7.2)	250 328	501	U-washer 6	020 881

E6.2
E7.2



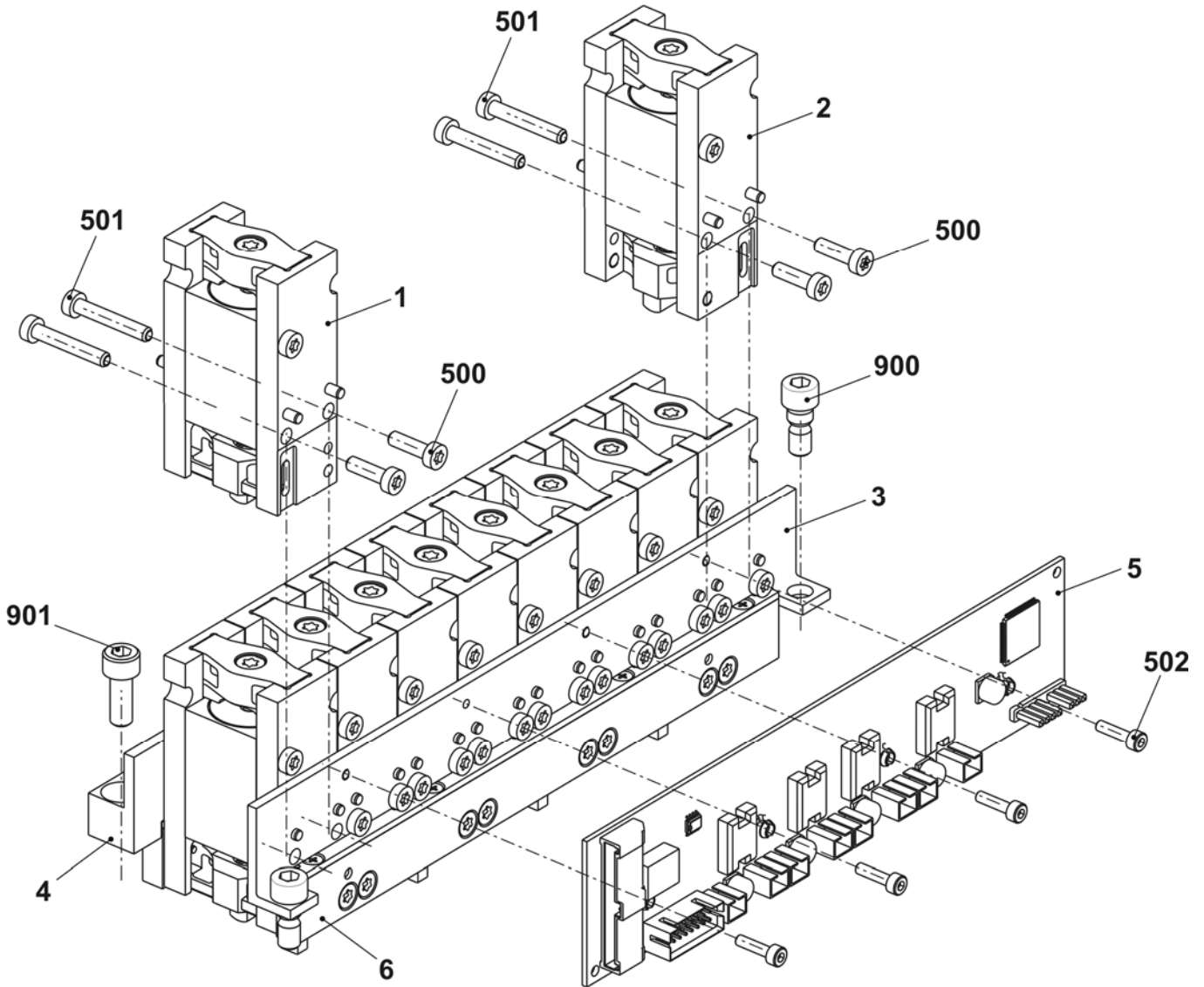
Driving in the middle

Pos	Designation	ID	Pos	Designation	ID
Σ	YC driving in the middle complete	245 298	7	Card yarn carrier final stages OKC	300 960
1	Yarn carrier plunger on the right complete	243 080	500	Cap screw M4x14-I-Torx	242 279
2	Yarn carrier plunger on the left complete	243 118	501	Cap screw M4x25-I-Torx	245 305
3	Support angle for jack	245 313	502	Cap screw M3x12-12.9	022 648
4	Mounting block in the middle	245 308	503	Screw KB60X20	243 625
5	Switch mechanism	251 137	900	Shoulder screw	231 899
6	Guiding part	239 972	901	Cap screw M6x16	020 135



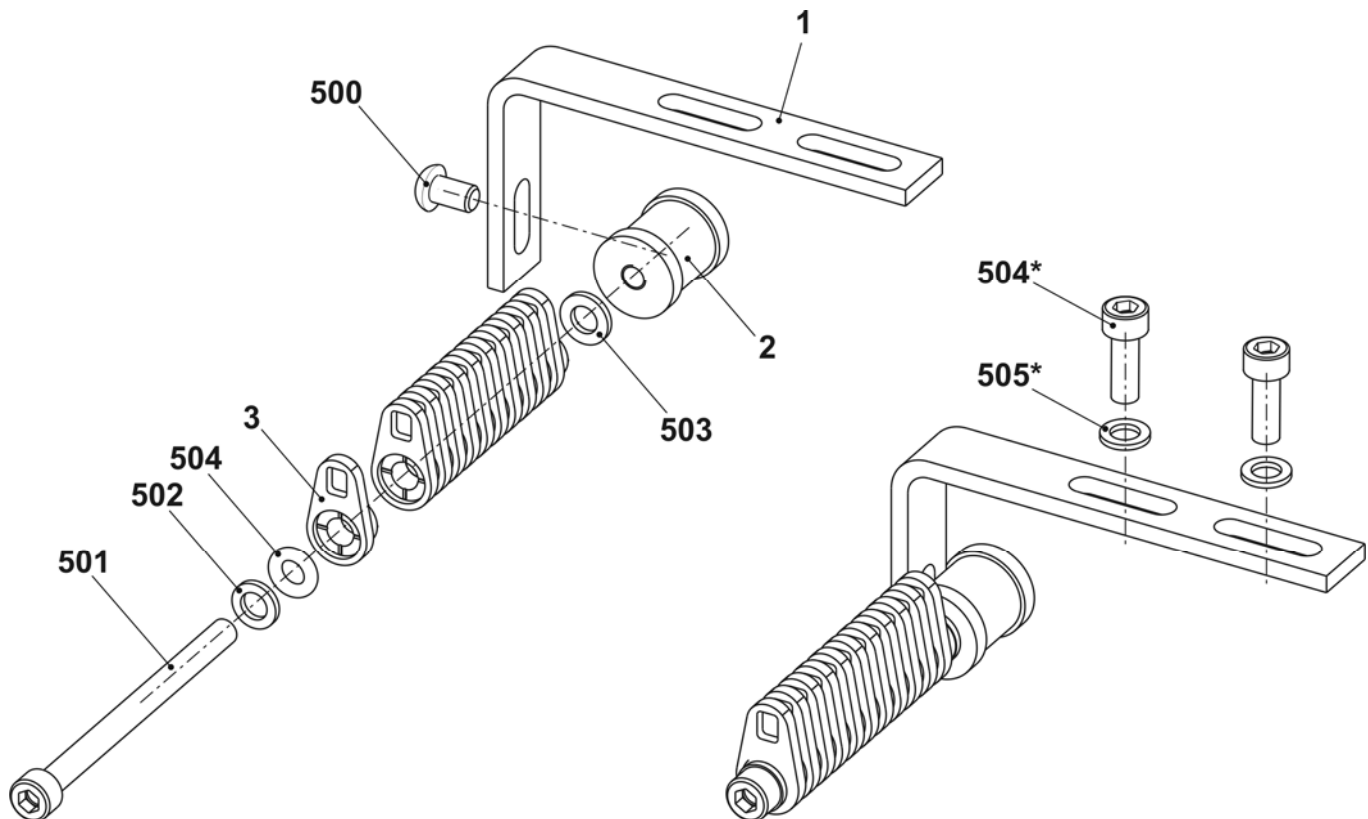
Driving outside

Pos	Designation	ID	Pos	Designation	ID
Σ	YC driving outside complete	245 297	6	Switch mechanism	251 137
1	Yarn carrier plunger on the right complete	243 080	500	Cap screw M4x14-I-Torx	242 279
2	Yarn carrier plunger on the left complete	243 118	501	Cap screw M4x25-I-Torx	245 305
3	Support angle for jack	245 313	502	Cap screw M3x12-12.9	022 648
4	Mounting block outside	245 294	900	Shoulder screw	231 899
5	Card yarn carrier final stages OKC	300 960	901	Cap screw M6x16	020 135



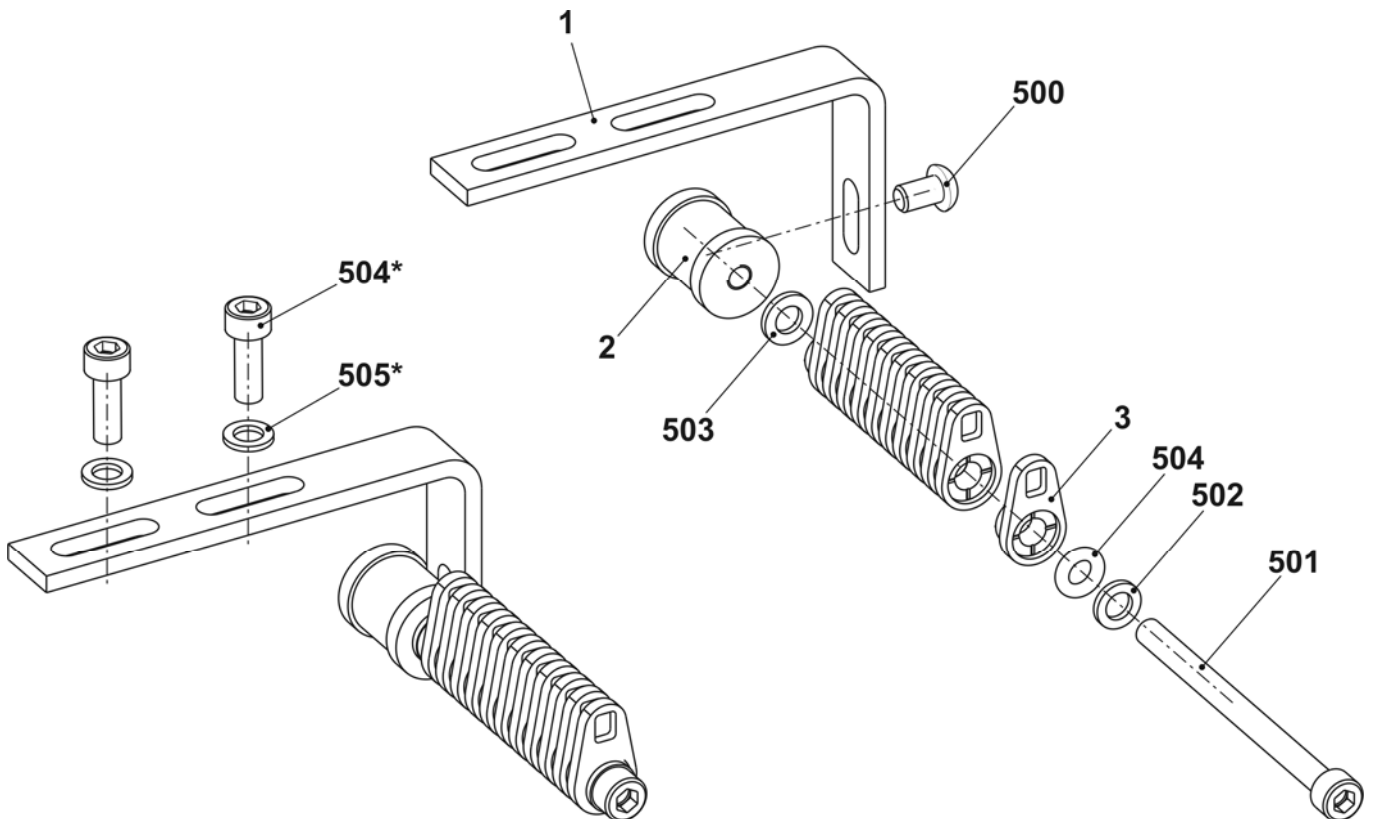
Thread deflector on the left

Pos	Designation	ID	Pos	Designation	ID
Σ	Yarn deflector on the left complete	244 517			
1	Support angle	244 516	502	U-washer 6	020 881
2	Bolt	214 894	503	U-washer 6	022 853
3	Yarn carrier MH 6	200 127	504	O-ring 6x3	022 856
500	Countersunk screw M6x10	023 183	504*	Cap screw M6x14	022 658
501	Cap screw M6x80	023 064	505*	U-washer 6	020 881



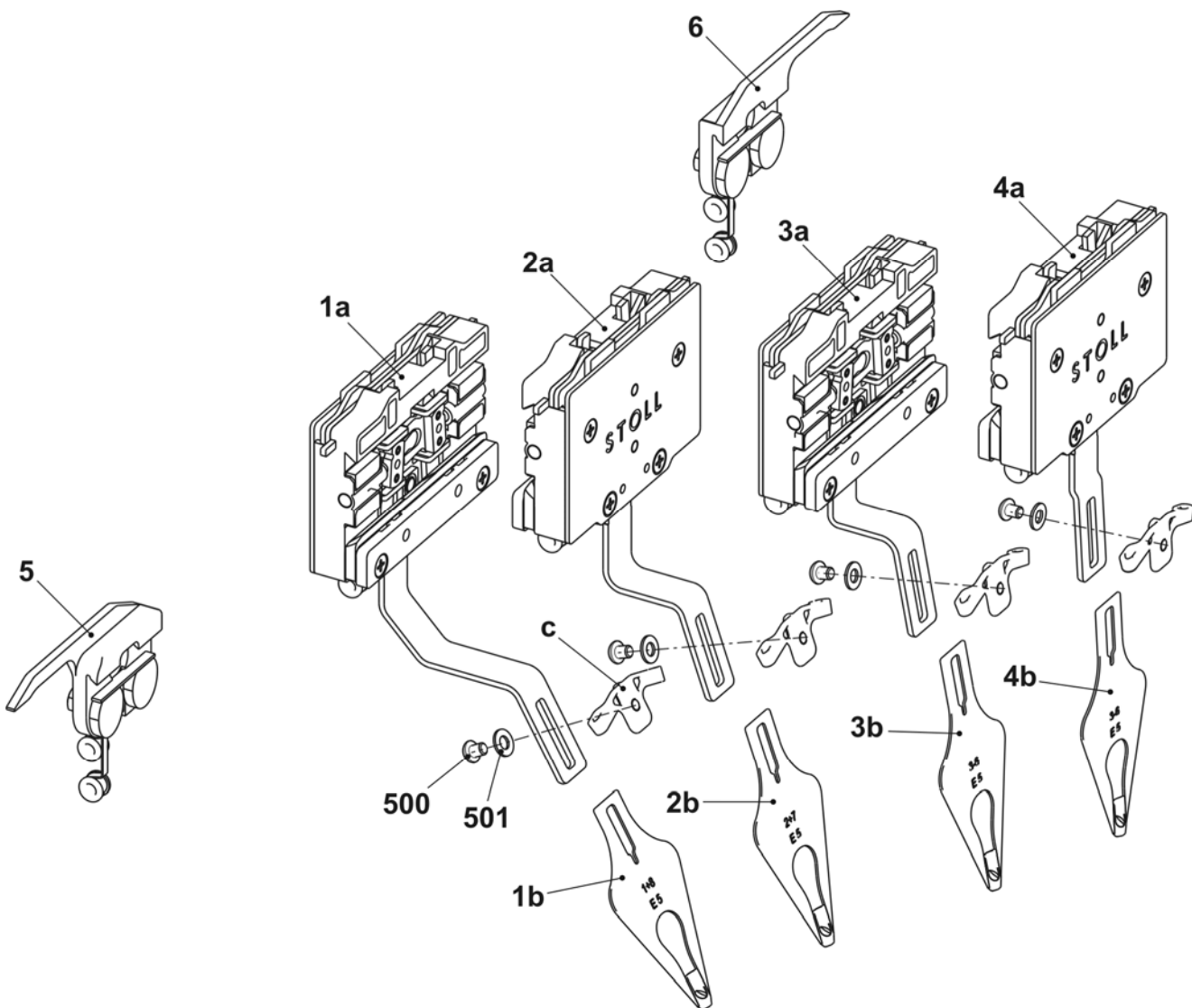
Yarn deflector on the right

Pos	Designation	ID	Pos	Designation	ID
Σ	Yarn deflector on the right complete	244 521			
1	Support angle	244 516	502	U-washer 6	020 881
2	Bolt	214 894	503	U-washer 6	022 853
3	Yarn carrier MH 6	200 127	504	O-ring 6x3	022 856
500	Countersunk screw M6x10	023 183	504*	Cap screw M6x14	022 658
501	Cap screw M6x80	023 064	505*	U-washer 6	020 881



Yarn guide complete E7-8 IYC

Pos	Designation	ID	Pos	Designation	ID
Σ	Yarn guide complete E7-8 IYC (E6.2)	245 162			
1	Intarsia YC carriage complete 1+8 E7-8	250 323	4	Intarsia YC carriage complete 4+5 E7-8	250 326
	1a Intarsia YC carriage 1+8	250 315	4a	Intarsia YC carriage 4+5	250 318
	1b Yarn carrier head 1+8 complete E7-8	244 082	4b	Yarn carrier head 3-6 complete E7-8	244 084
2	Intarsia YC carriage complete 2+7 E7-8	250 324	5	Limiters on the left with 2 eyelets	244 446
	2a IYC carriage 2+7	250 316	6	Limiters on the right with two eyelets	244 445
	2b Yarn carrier head 2+7 complete E7-8	244 083	C	Yarn guide angle	242 863
3	Intarsia YC carriage complete 3+6 E7-8	250 325	500	Countersunk screw M4x5	239 549
	3a Intarsia YC carriage 3+6	250 317	501	U-washer 4	020 870
	3b Yarn carrier head 3-6 complete E7-8	244 084			



Yarn guide complete E10-14 IYC

Pos	Designation	ID	Pos	Designation	ID
Σ	Yarn guide co. E10-14 IYC E7.2 + E8.2 + E9.2	245 163			
1	Intarsia YC carriage complete 1+8 E10-14	250 327	4	Intarsia YC carriage co. 4+5 E10-14	250 330
	1a Intarsia YC carriage 1+8	250 315		4a Intarsia YC carriage E10-14	250 318
	1b Yarn carrier head 1+8 complete E10-14	250 008		4b Yarn carrier head 3-6 co. E10-14	250 010
2	Intarsia YC carriage complete 2+7 E10-14	250 328	5	Limiter on the left with 2 eyelets	244 446
	2a IYC carriage 2+7	250 316	6	Limiter on the right with 2 eyelets	244 445
	2b Yarn carrier head 2+7 complete E10-14	250 009	C	Yarn guide angle	242 863
3	Intarsia YC carriage complete 3+6 E10-14	250 329	500	Countersunk screw M4x5	239 549
	3a Intarsia YC carriage 3+6	250 317	501	U-washer 4	020 870
	3b Yarn carrier head 3-6 complete E10-14	250 010			

