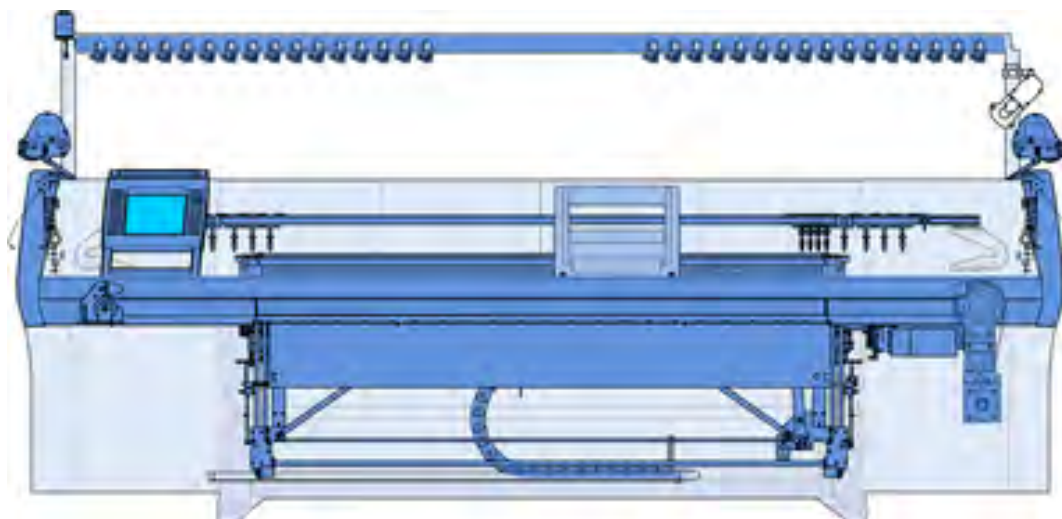


# Spare parts catalog

## CMS 830S (Type 633)

### Component type 02

E7.2|E9.2





# Table of contents

<b>1</b>	<b>Introduction</b>	<b>7</b>
1.1	Search help	8
1.2	Torques	9
<b>2</b>	<b>Carriage drive</b>	<b>11</b>
2.1	Drive	12
2.1.1	Motor and belt drive	13
2.1.2	Tension bearing	14
2.2	Energy chain and plunger	15
<b>3</b>	<b>Racking</b>	<b>17</b>
3.1	Racking drive	18
<b>4</b>	<b>Needle beds</b>	<b>19</b>
4.1	Needle bed E7.2	20
4.2	Continuation needle bed E7.2	21
4.3	Needle bed E9.2	22
4.4	Continuation needle bed E9.2	23
4.5	Clamping/cutting unit	24
4.5.1	Crankcase	25
4.5.2	Crankcase with drive	26
4.5.3	Selection housing	27
4.6	Cover on the left and on the right	28
<b>5</b>	<b>Carriage</b>	<b>29</b>
5.1	Overview of carriage	30
5.2	Overview of carriage, continuation	31
5.3	Cams E6.2   E7.2 (Top side)	32
5.4	Cams E6.2   E7.2 (Lower side)	33
5.5	Cams E9.2 (Top side)	34
5.6	Cams E9.2 (bottom side)	35
5.7	Loop forming cam on the left and right	36
5.8	Jack cam box (E3,5.2   E5.2   E6.2   E7.2)	37
5.9	Jack cam box E9.2	38
5.10	Yarn carrier driving without guide part	39
5.11	Yarn carrier driving with guide part	40
5.12	Needle detector	41
5.13	Brush holder	42
5.14	Carriage	43
5.15	Carriage cover	44

5.16	Carriage guide .....	45
5.17	Control unit jack/presser foot on the left E9.2 .....	46
5.18	Control unit jack/presser foot middle E9.2 .....	47
5.19	Control unit jack/presser foot on the right E9.2 .....	48
5.20	Control unit jack/presser foot on the left E9.2 .....	49
5.21	Control unit jack/presser foot in the middle E9.2 .....	50
5.22	Control unit jack/presser foot on the right E9.2 .....	51
5.23	Control unit brush .....	52
5.24	Covers .....	53
5.25	Sliding rods .....	54
5.26	Spare parts package carriage guide rail .....	55
<b>6</b>	<b>Main take-down .....</b>	<b>57</b>
6.1	Main take-down .....	58
6.2	Main take-down on the left .....	59
6.3	Main take-down on the right .....	60
6.3.1	Mounting plate .....	61
6.3.2	Full floating axle .....	62
6.4	Main take-down in the middle .....	63
6.4.1	Rear take-down roller .....	64
6.4.2	Front take-down roller .....	65
6.4.2.1	Front roller elements .....	66
6.4.2.2	Pressure angle rail .....	67
6.4.3	Stripper angle .....	68
6.4.4	Impulse sensor and motor .....	69
6.5	Take-down closing device .....	70
6.6	Continuation of take-down closing device .....	71
6.6.1	Right swivel support .....	72
6.6.2	Swivel holder in the middle .....	73
6.6.3	Left swivel holder .....	74
<b>7</b>	<b>Auxiliary take-down .....</b>	<b>75</b>
7.1	Auxiliary take-down .....	76
7.1.1	Auxiliary take-down pre-assembled .....	77
7.1.1.1	Contact lever .....	78
7.1.1.2	Take-down roller .....	79
7.1.1.3	Left bearing of the auxiliary take-down .....	80
7.1.1.4	Right bearing of the auxiliary take-down .....	81
7.1.2	Motor .....	82
<b>8</b>	<b>Comb take-down .....</b>	<b>83</b>
8.1	Comb take-down .....	84
8.1.1	Comb take-down on the left .....	85
8.1.2	Comb take-down on the right .....	86
8.1.2.1	Drive shaft of comb .....	87

8.1.2.2	Swivel lever comb take-down .....	88
8.1.3	Comb take-down in the middle .....	89
8.1.3.1	Comb unit .....	90
8.1.3.1.1	Switching lever comb take-down .....	91
<b>9</b>	<b>Yarn delivery device .....</b>	<b>93</b>
9.1	Yarn guide system from 20 up to 26 FKE .....	94
9.2	Left yarn guide .....	95
9.2.1	Yarn tensioner on the left E10 E12 E14 E16 E18 E14/12 E6.2(12m.10) E7.2 E8.2 .....	96
9.2.1.1	Tension axle on the left E10 E12 E14 E16 E18 E14/12 E6.2(12m.10) E7.2 E8.2 .....	97
9.2.2	Yarn deflector .....	98
9.3	Right yarn guide E12 E14 E16 E18 E6.2(12m.10) E7.2(14/12) E7.2 E8.2 .....	99
9.3.1	Right yarn tensioners E10-18 .....	100
9.3.1.1	Right tension axle E10-18 .....	101
9.4	Yarn carrier and guide rails .....	102
9.5	Carriage of yarn carrier .....	103
9.6	Bar unit .....	104
9.7	Bobbin board .....	105
9.8	Left friction feed wheel .....	106
9.9	Right friction feed wheel .....	107
9.10	Thread clamp .....	108
<b>10</b>	<b>Fluff absorption .....</b>	<b>109</b>
10.1	Fluff absorption .....	110
10.2	Lint container .....	111
10.3	Hose set .....	112
<b>11</b>	<b>Operation and control .....</b>	<b>113</b>
11.1	Input unit .....	114
11.2	Starting device .....	115
11.2.1	Bearing of the engaging rod .....	116
11.3	Signal light .....	117
11.4	Collecting area - control .....	118
11.5	Shock stop motion .....	119
11.6	Measuring device .....	120
<b>12</b>	<b>Protective units .....</b>	<b>121</b>
12.1	Lateral safety doors .....	122
12.2	Panelling .....	123
12.3	Rear panel .....	124

<b>13</b>	<b>Electrical equipment</b>	<b>125</b>
13.1	Circuit diagram (221) as PDF	126
13.2	Fuses	127
13.3	Trailing cable	128
13.4	Cable set installation	129
13.4.1	Loom of cables base 1	130
13.4.2	Loom of cables base 2	131
13.4.3	Kabelstrang 84"	132
13.4.4	Loom of cables COMB	133
<b>14</b>	<b>Control electronics</b>	<b>135</b>
14.1	Left control cabinet	136
14.2	Right control cabinet	137
<b>15</b>	<b>Deliverable accessories</b>	<b>139</b>
15.1	Tool	140
15.2	Lubricating stuff	141
15.3	Mechanical parts	142
<b>16</b>	<b>Special equipment</b>	<b>143</b>
16.1	Complete yarn carriers	144
16.2	Carriage of plating yarn carrier	145
16.3	Additional board at the bottom	146
16.4	Additional board retrofit kit	147
16.5	Carriage of plating yarn carrier EW46	148
16.6	Carriage of plating yarn carrier (adjustable)	149
16.7	Plating yarn carrier 3+6	150
16.8	Plating yarn carrier 4+5	151
16.9	Bobbin holder on the left	152
16.10	Bobbin holder on the right	153
16.11	Yarn length measuring device on the left complete	154
16.11.1	Yarn length measuring device	155
16.12	Yarn length measuring device on the right complete	156
16.12.1	Yarn length measuring device on the right	157

# 1 Introduction

## Imprint

All rights reserved.

The utilisation of texts and pictures, also in extracts, without our agreement is unfavourable to the copyright.

Our products are being developed further continuously. They are therefore subject to technical modifications.

The indications of this catalog are without liability.

©

H. Stoll GmbH & Co.KG

Stollweg 1

D-72760 Reutlingen, Germany

Phone: +49 (07121) 313-289

Fax: +49 (07121) 313-347

e-mail: spareparts@stoll.com

## Notes for the order

This catalog serves to order spare parts.

It can only be applied to the machine type recorded on the title page.


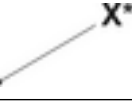








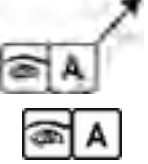
When ordering spare parts we imperatively ask for the following indications as otherwise a delivery of spare parts is not possible:

1. Type of machine, gauge, no. of machine.
2. Page no., designation, ID, quantity.

Only genuine STOLL spare parts may be used for repairs.

## 1.1 Search help

In order to make the search of the spare parts easier, the following elements will be used in the spare parts catalog:

Symbol	Meaning
$\Sigma$	Indicates an assembly
	Position indicator with the position number (X).
	Indicates an element of another assembly.
	Indicates an assembly which is represented more detailed beside.
	Indicates an assembly which is represented on another page more detailed.
	Screw torques (z) deviating from the preferential row.
	Detail, represented enlarged in the direction of the arrow.
	Explosion representation, single elements enlarged.
	Indicates a group of parts.
	Indicates the left-hand side or view.
	Indicates the right-hand side or view.
	Indicates a section or a view in the viewing direction.



## 1.2 Torques

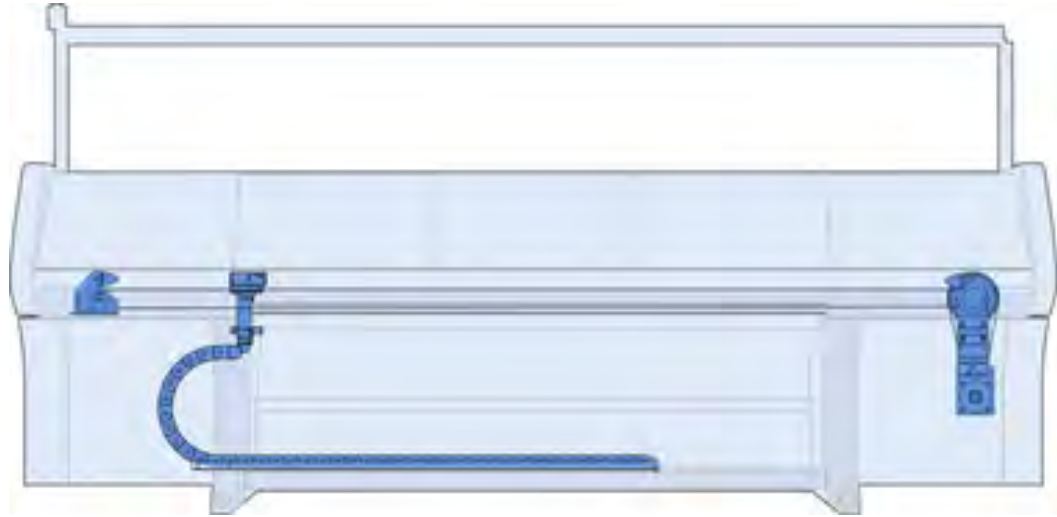
<b>Drehmomente</b> <b>Torques</b> <b>Couples</b> <b>Coppias</b> <b>Momentos de rotación</b> [Nm] ± 10 % (für $\mu_{\text{Dreh}}$ = 0,12)		Festigkeitsklassen Property class Classes de résistance Classi di resistenza Clases de resistencia		
		4,8	8,8	12,9
Regelgewinde Coarse-pitch thread Filetage à pas gros Filetto regolatore Fileta regulador	M3	<b>0,6</b>	<b>1,2</b>	<b>2,5</b>
	M4	<b>1,2</b>	<b>2,5</b>	<b>5</b>
	M5	<b>2,5</b>	<b>5</b>	<b>9</b>
	M6	<b>5</b>	<b>9</b>	<b>18</b>
	M8		<b>18</b>	<b>40</b>
	M10		<b>40</b>	
	M12		<b>80</b>	

### Preferential row of screw torques

- Torques are **valid** for:  
Connection steel-steel, black, phosphatized, galvanized, rolled or cut thread as well as only for plain (head) supports.
- Torques are **not valid** for:  
protected screws with: lock washers, rib heads, coated and clamping screws and nuts. They are also not used for self-grooving threads.
- Torques differing from this preferential row of torques must be taken from the corresponding location in the drawings.

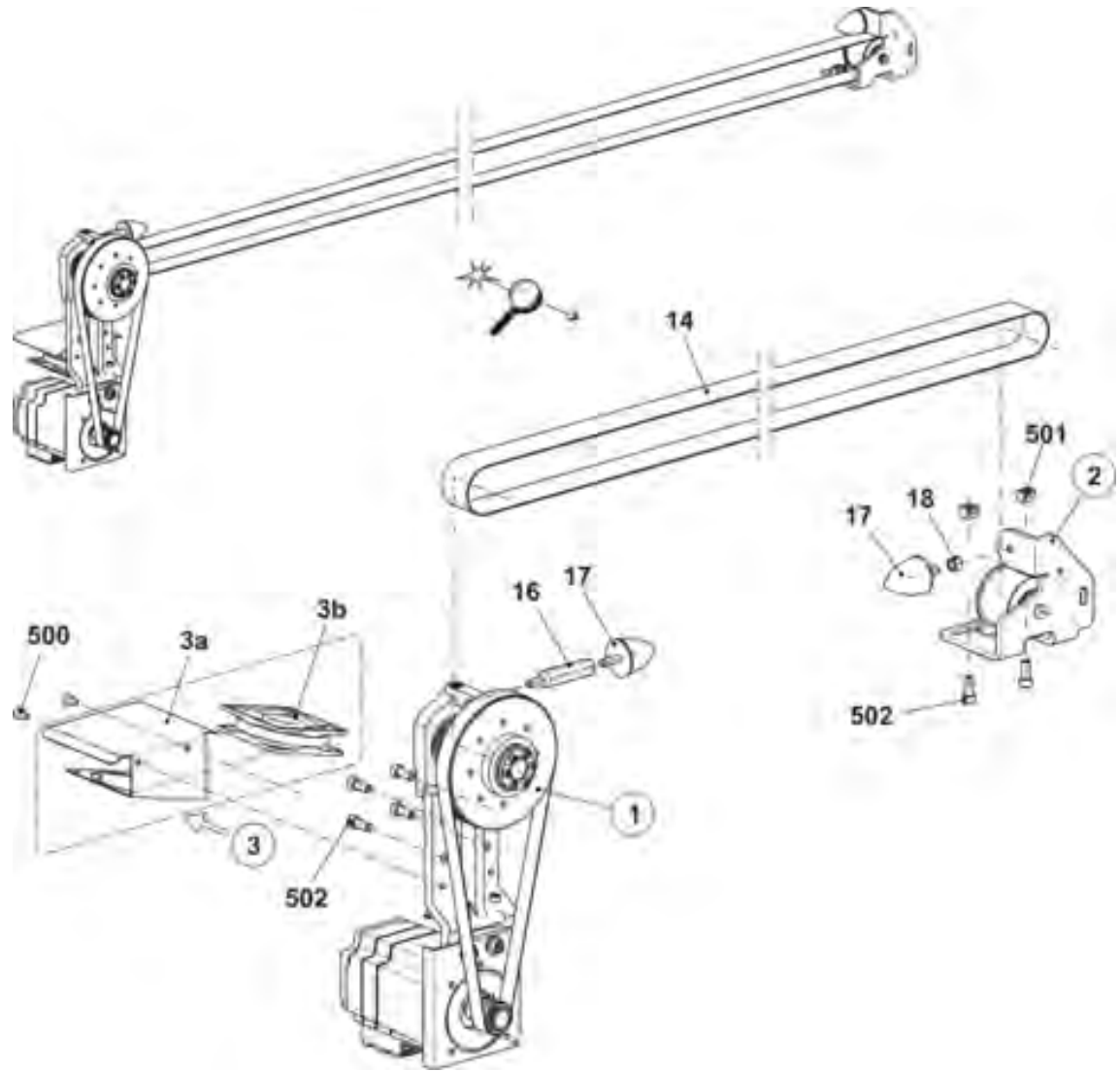
Notes:

## 2 Carriage drive



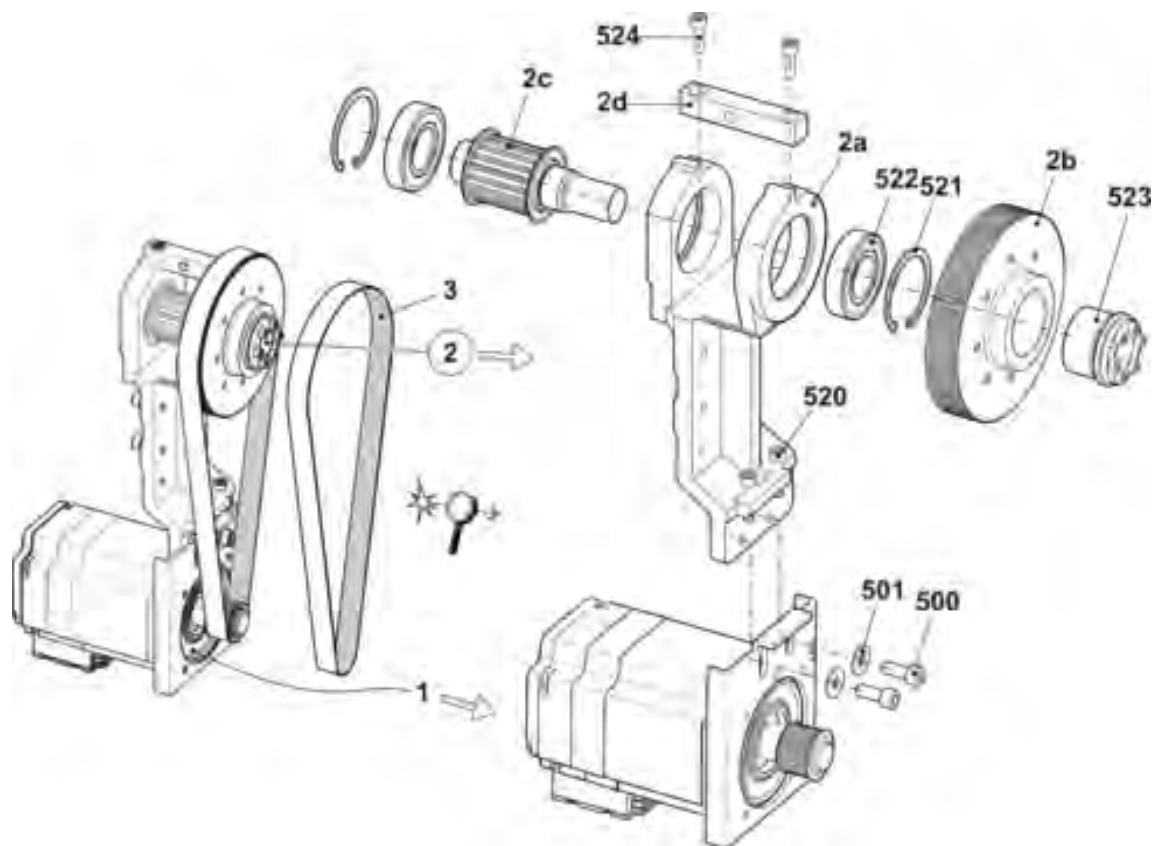
## 2.1 Drive

Pos	Designation	ID	Pos	Designation	ID	
Σ	Drive unit					
1	Drive unit complete	240 743	16	Hexagon bolt	238 922	
2	Tension bearing complete	251 581	17	Parabolic spring	200 661	
3	Fan complete	242 413	18	Spacer pipe	222 099	
	3a	Fan plate drive motor	241 823	500	Cap screws M8x12	023 138
	3b	Fan complete <sup>512</sup>	213 722	501	Sliding nut M10X12	023 471
14	Toothed belt <sup>50AT10/7150</sup>	236 656	502	Cap screw M10X25	020 157	



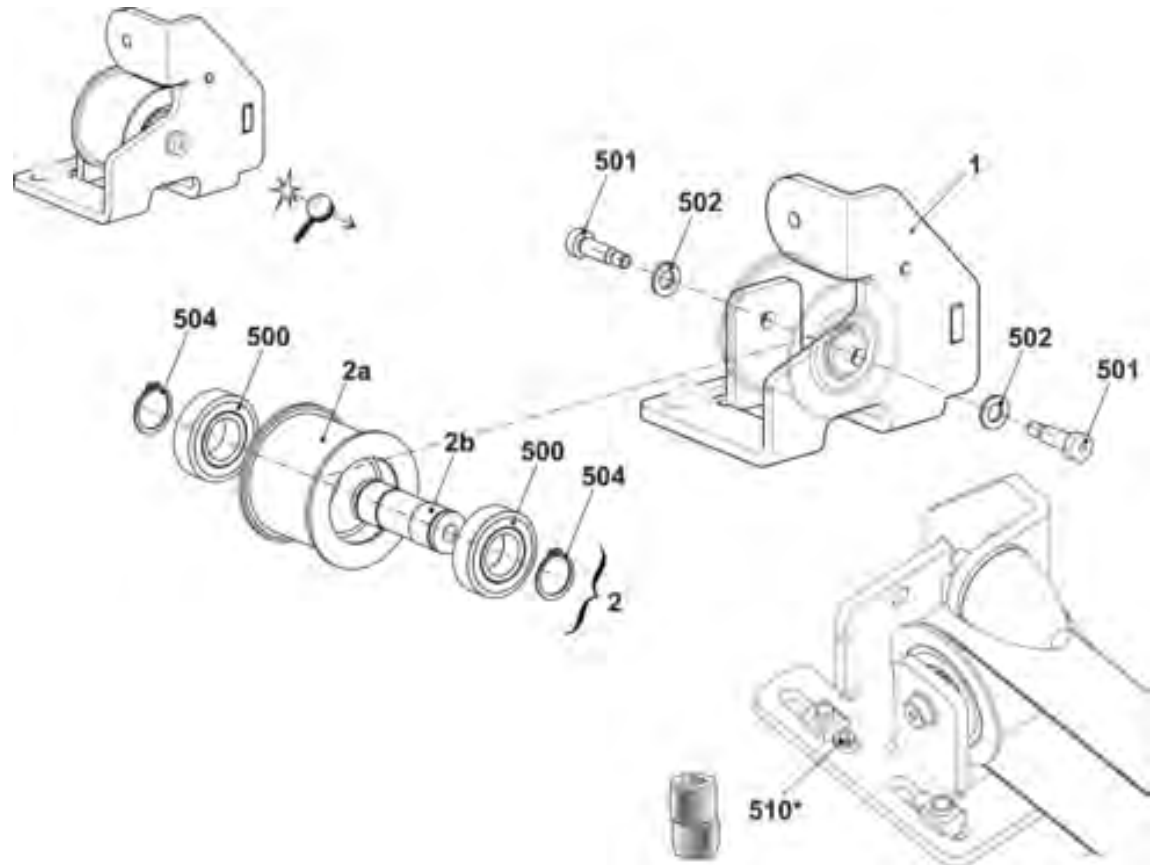
### 2.1.1 Motor and belt drive

Pos	Designation	Id	Pos	Designation	Id
Σ	Drive unit complete	240 743			
1	Drive unit	256 301	521	Locking ring68x2.5	022 914
2	Drive bearing complete	255 005	522	Grooved ball bearing 6207-2RS	022 915
2a	Drive bearing ECO2	252 634	523	Tension set 30X55	023 208
2b	Toothed belt pulley	240 616	524	Cap screw M8X25 12.9	020 142
2c	Pinion57 AT10 18	242 039	3	Toothed belt250 HP-S5M 1050 NG	240 628
2d	Support of buffer	222 100	500	Cap screw M10X25	020 157
520	Cap screw M8X35	020 144	501	Disk10,5X25X2,5	022 178



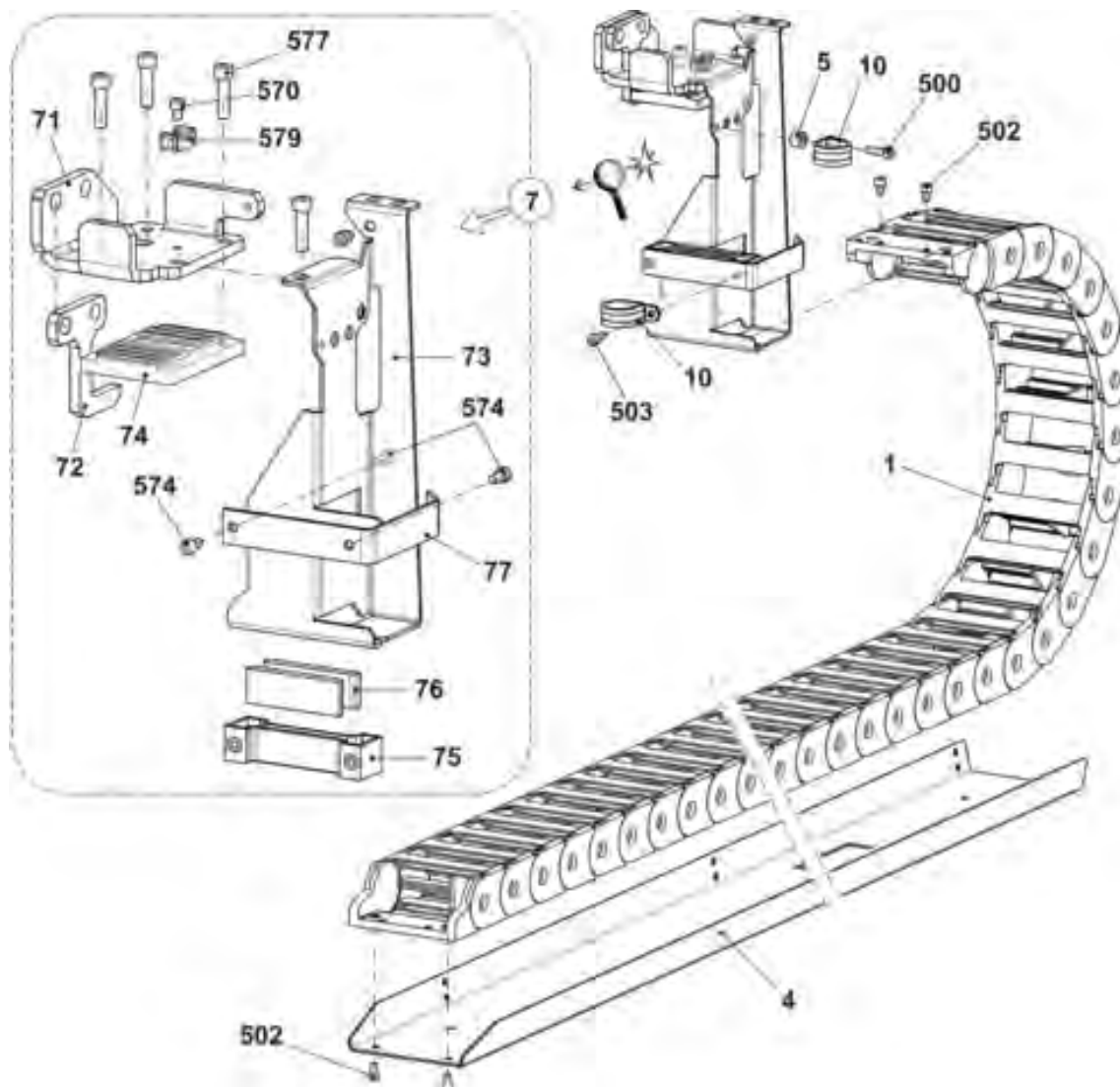
## 2.1.2 Tension bearing

Pos	Designation	ID	Pos	Designation	ID
Σ	Tension bearing complete	251 581	2	500 Grooved ball bearing 625-6305-2RS	255 686
1	Tension bearing	251 560		504 Locking ring 471-25x1,2	251 617
2	Tension roller complete	256 640	501	Cap screw M10x25	023 751
	2a Tension roller	255 684	502	Washer	020 874
	2b Axle	251 579	510*	Eccentric	255 499



## 2.2 Energy chain and plunger

Pos	Designation	ID	Pos	Designation	ID
1	Energy chain 40 links	259 232	7	Continuation carriage driver complete	
4	Depositing gutter	259 273	77	Cover strip	258 379
5	Threaded spacer	214 584	574	Cap screw M6x12	020 134
7	Carriage driver complete	259 280	577	Cap screw M8x30	020 143
71	Carriage driver	258 380	579	Fixing element	026 489
72	Switch flag carriage driver	258 381	570	Cap screw M6x8	023 411
73	Cable driver	259 286	10	Hose clip	214 653
74	Clamping plate	252 592	500	Cap screw M6x20	020 136
75	Cable holder	204 688	502	Cap screw M6x8	023 411
76	Cellular caoutchouc black	202 597	503	Cap screw M6x16	020 135



Notes:



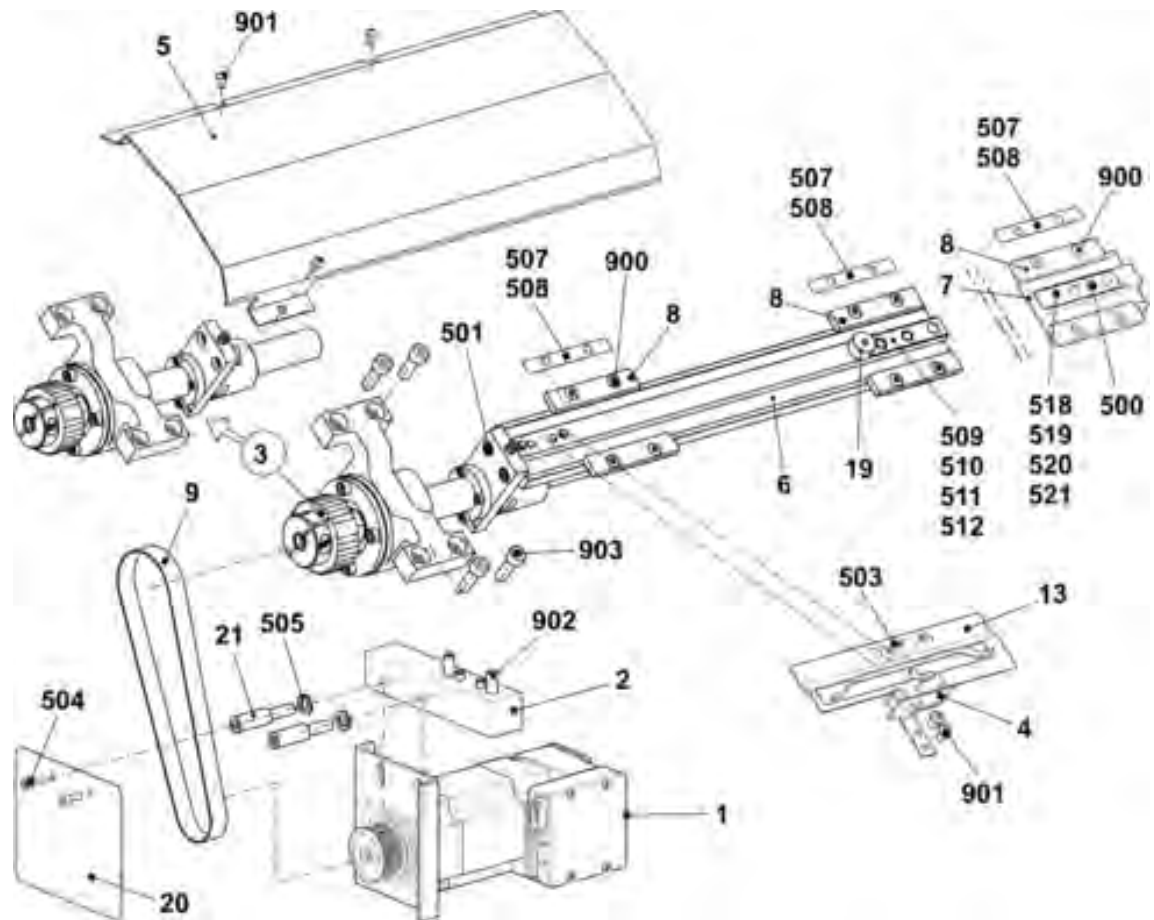
## 3 Racking



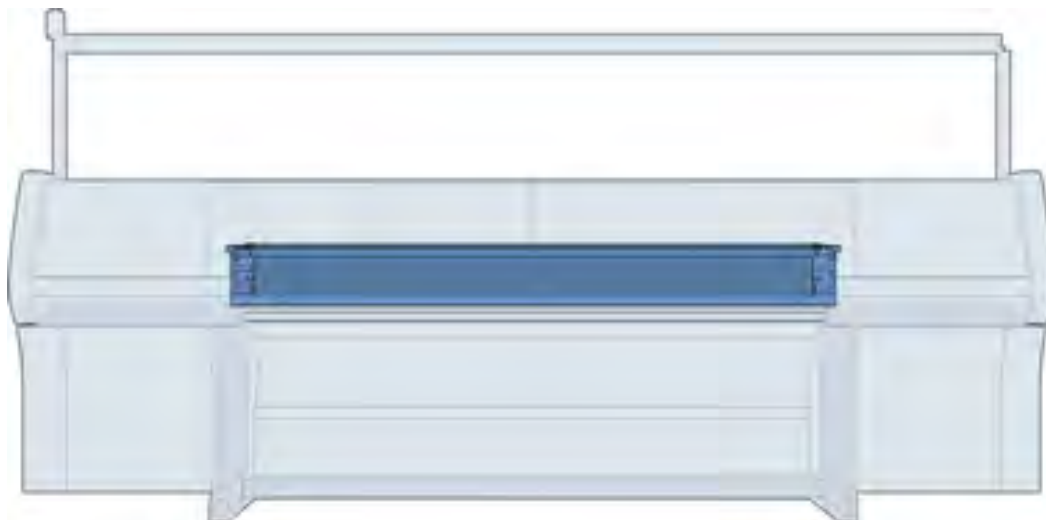
## 3.1 Racking drive

## 3.1 Racking drive

Pos	Designation	Id	Pos	Designation	Id
$\Sigma$	Racking				
1	Racking motor complete	258 192	504	Cap screw M5x12	020 132
2	Bearing	227 605	505	Washer	022 175
3	Spindle bearing complete	253 262	507	Shim 0,03x11x80	023 286
4	Card racking limit switch	229 396	508	Shim 0,05x11x80	023 287
5	Racking cover plate	230 048	509	Shim 0,03x15x85	023 162
6	Racking strip	241 921	510	Shim 0,05x15x85	023 163
7	Racking strip on the left	240 696	511	Shim 0,1x15x85	023 164
8	Guide strip	206 382	512	Shim 0,2x15x85	023 170
9	Toothed belt 150 S 5M 490	229 281	518	Shim 0,03x15x75	023 395
13	Switch plate	240 722	519	Shim 0,05x15x75	023 396
19	Stop screw	221 386	520	Shim 0,1x15x75	023 397
20	Cover plate	232 544	521	Shim 0,2x15x75	023 398
21	Distance bolt	232 543	900	Cap screw M6x12	022 795
500	Cap screw M4x4	022 767	901	Pan-head screw M6x10	023 183
501	Cap screw M6x16	023 116	902	Cap screw M8x30	020 143
503	Pan-head screw M6x10	023 183	903	Cap screw M8x25	020 142



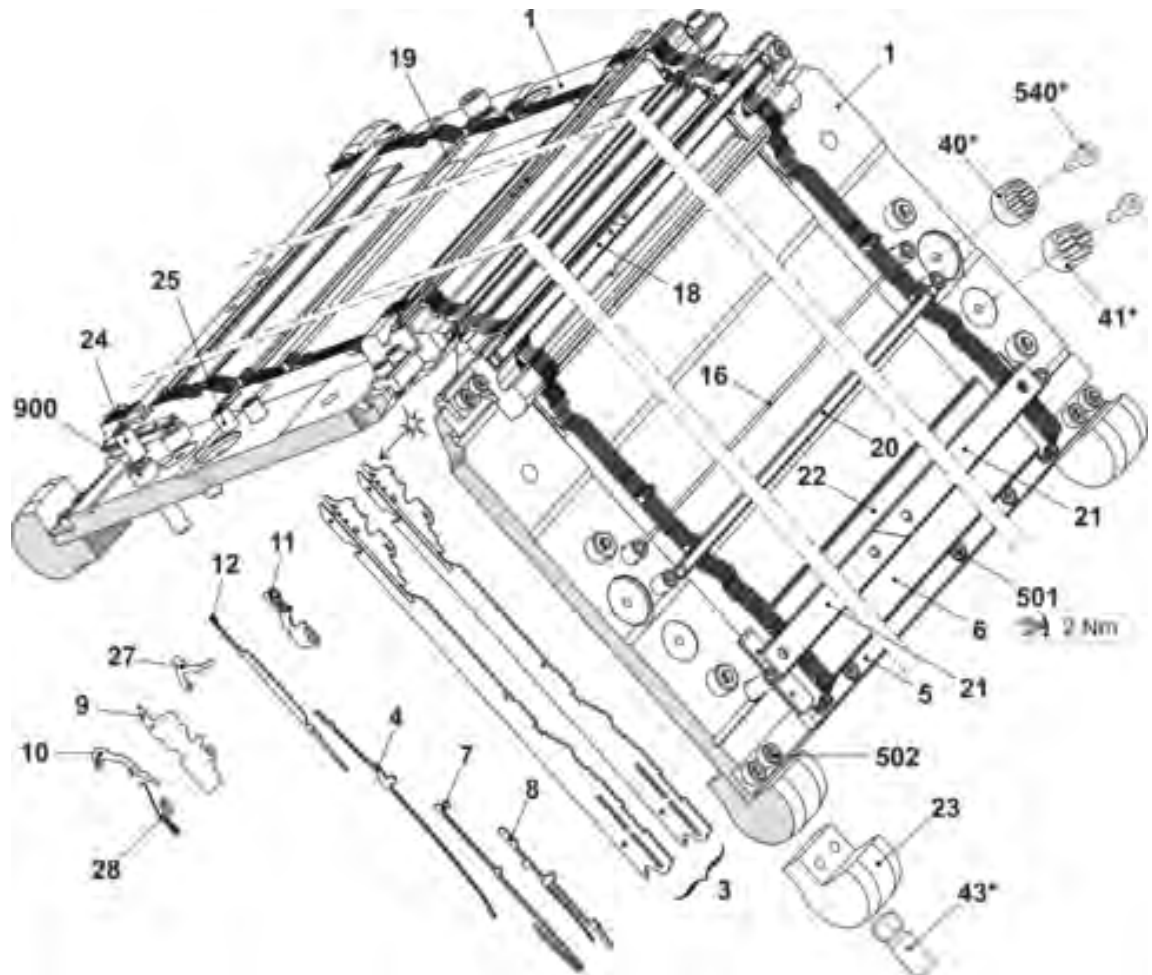
## 4 Needle beds



4.1 Needle bed E7.2

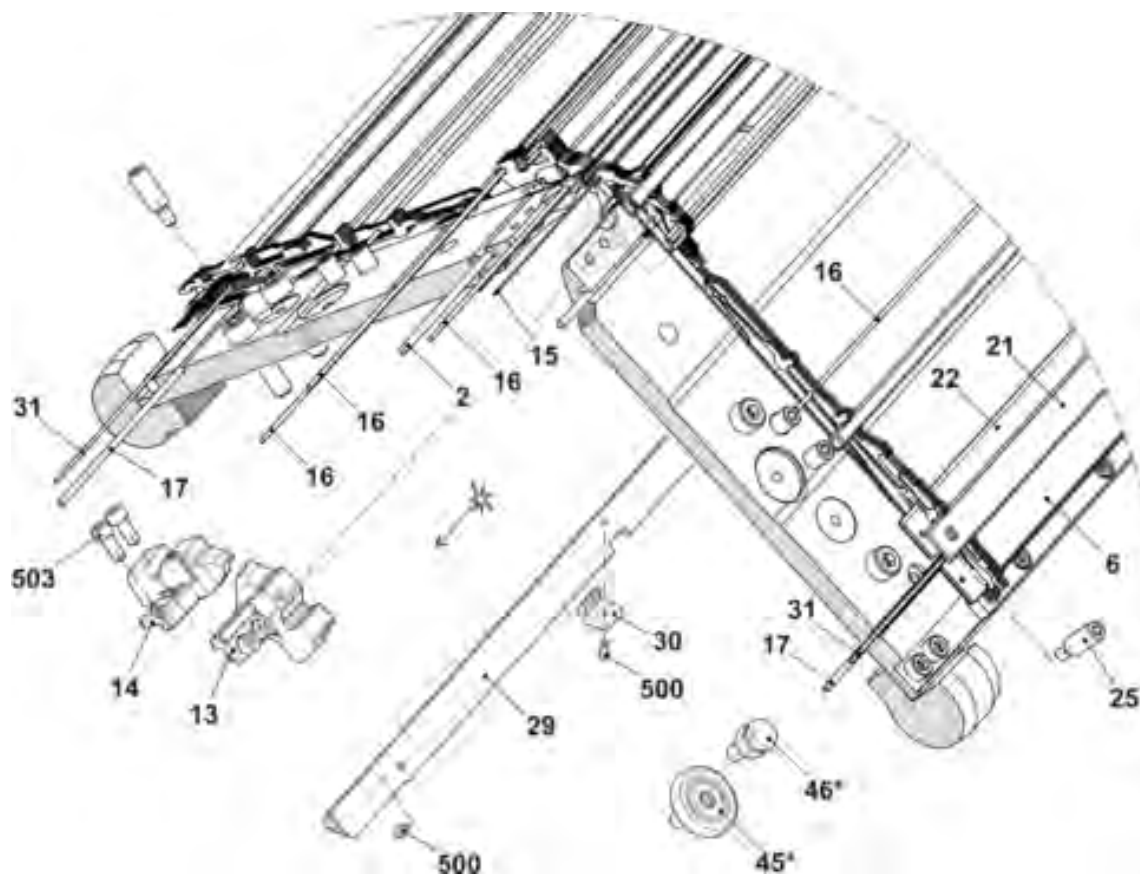
### 4.1 Needle bed E7.2

Pos	Designation	ID	Pos	Designation	ID
Σ	Needle bed complete at the front and rear E7.2	254 527	20	Cover rail at the front E7.2	254 531
1	Needle bed at the front + rear E7.2	254 526	21	Cover rail selection E7.2+9.2	254 367
3	Main trick wall pair complete E7.2	252 639	22	Intermediate rail E7.2	254 361
4	Coupling part E7.2	237 964	23	Support	240 604
5	Pressure strip E7.2+9.2	254 311	24	Stop screw AWS	235 243
6	Intermediate rail E7.2	254 530	25	Stop screw	235 244
7	Intermediate slider E7.2	237 968	27	Yarn guide jack E7.2	252 674
8	Selection jack E7.2	251 063	28	Spring holding-down jack	237 057
9	Wire support E7.2	237 942	501	Cap screw M5x8	023 154
10	Holding-down jack E7.2	252 675	502	Cap screw M6x12	020 134
11	Needle guide E7.2	252 676	900	Cap screw M8x30	020 143
12	Needle E7.2	252 632	40*	Disk brush	230 744
16	Spring steel wire E7.2+9.2 D=2	254 363	41*	Disk brush	202 600
18	Needle bar E7.2+9.2	254 368	43*	Adjusting bolt	230 742
19	Cover rail at the rear E7.2+9.2	254 365	540*	Cap screw M5x12	020 032



## 4.2 Continuation needle bed E7.2

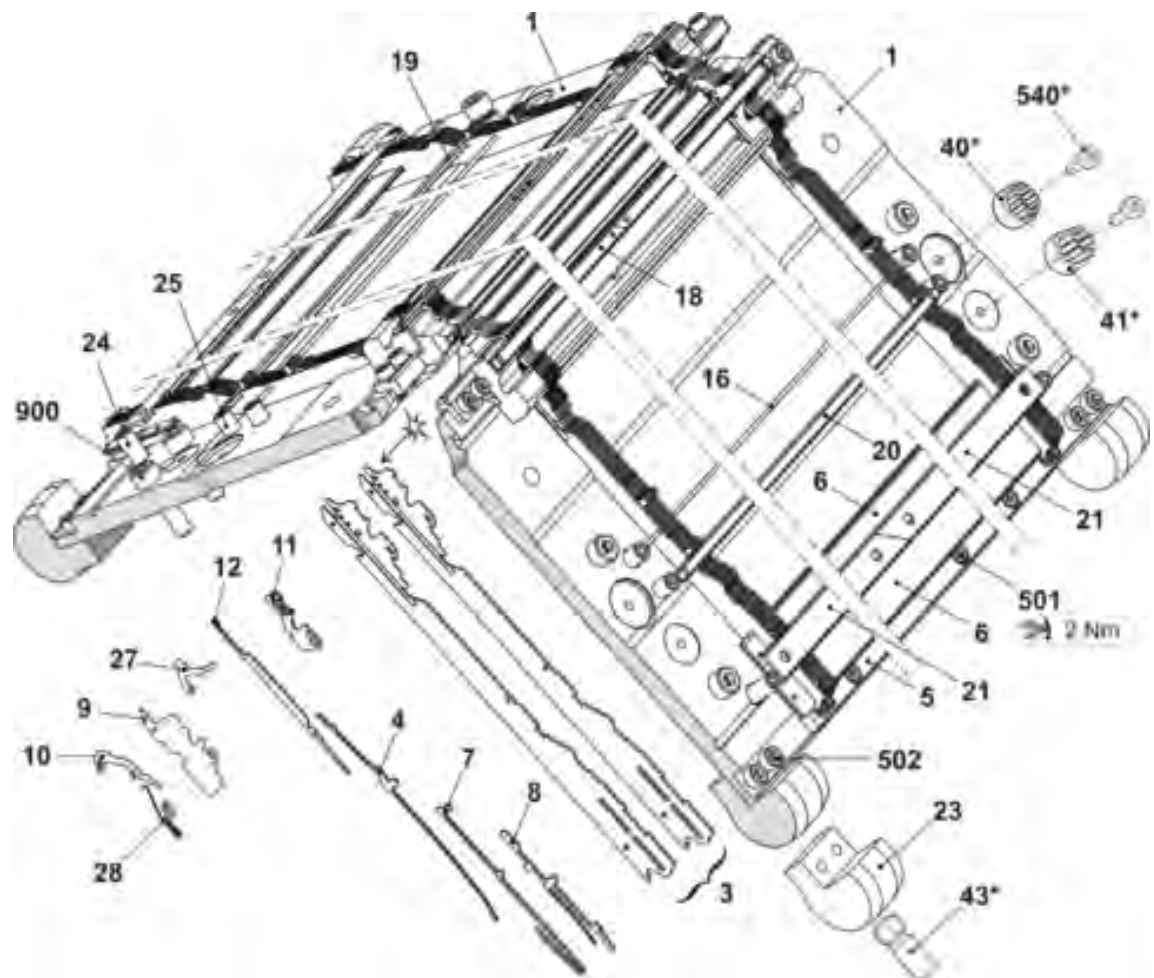
Pos	Designation	ID	Pos	Designation	ID
2	Locating wire E7.2+9.2 D=3	254 360	25	Stop screw	235 244
6	Intermediate rail E7.2	254 530	29	Strip guider	254 443
13	Limiters on the left complete E5.2-9.2	236 976	30	Guider	233 023
14	Limiters on the right complete E5.2-9.2	236 977	31	Locating wire E7.2+9.2 D=1,6	254 369
15	Spring steel wire E7.2+9.2 D=0,8	254 362	500	Cap screw M3x6	022 589
16	Spring steel wire E7.2+9.2 D=2	254 363	503	Cap screw M5x12	020 132
17	Locating wire E7.2+9.2 D=2	254 364	45*	Adjusting piece	206 375
21	Cover rail selection E7.2+9.2	254 367	46*	Set screw complete	207 712
22	Intermediate rail E7.2+9.2	254 361			



## 4.3 Needle bed E9.2

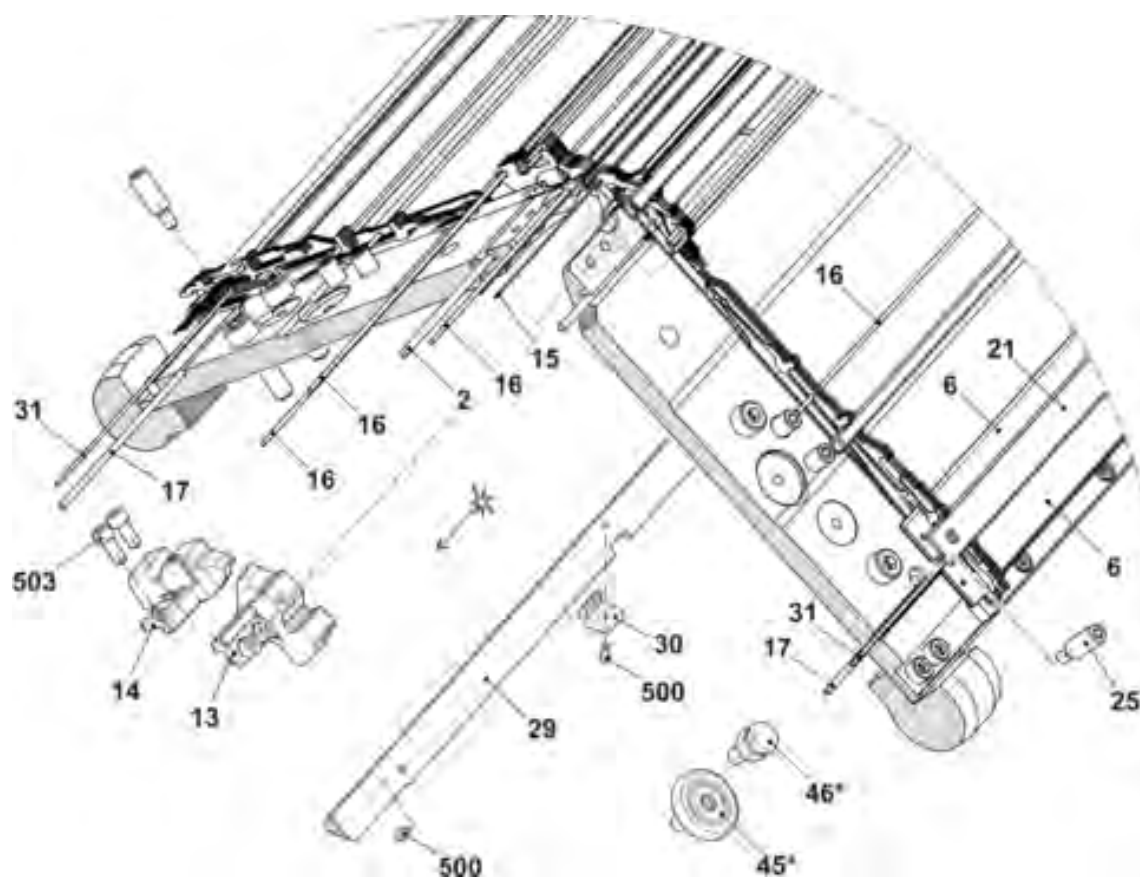
## 4.3 Needle bed E9.2

Pos	Designation	ID	Pos	Designation	ID
Σ	Needle bed complete at the front and rear E9.2	254 310			
1	Needle bed at the front + rear E9.2	254 306	20	Cover rail at the front E9.2	254 366
3	Main trick wall pair complete E9.2	254 167	21	Cover rail selection E7.2+9.2	254 367
4	Coupling part E9.2	240 512	23	Support	240 604
5	Pressure strip E7.2+9.2	254 311	24	Stop screw AWS	235 243
6	Intermediate rail E9.2	254 389	25	Stop screw	235 244
7	Intermediate slider E9.2	241 254	27	Yarn guide jack E9.2	254 170
8	Selection jack E9.2	243 170	28	Spring holding-down jack E9.2	254 287
9	Wire support E9.2	254 171	501	Cap screw M5x8	023 154
10	Holding-down jack E9.2	254 169	502	Cap screw M6x12	020 134
11	Needle guide E9.2	254 172	900	Cap screw M8x30	020 143
12	Needle E9.2	236 260	40*	Disk brush	230 744
16	Spring steel wire E7.2+9.2 D=2	254 363	41*	Disk brush	202 600
18	Needle bar E7.2+9.2	254 368	43*	Adjusting bolt	230 742
19	Cover rail at the rear E7.2+9.2	254 365	540*	Cap screw M5x12	020 032



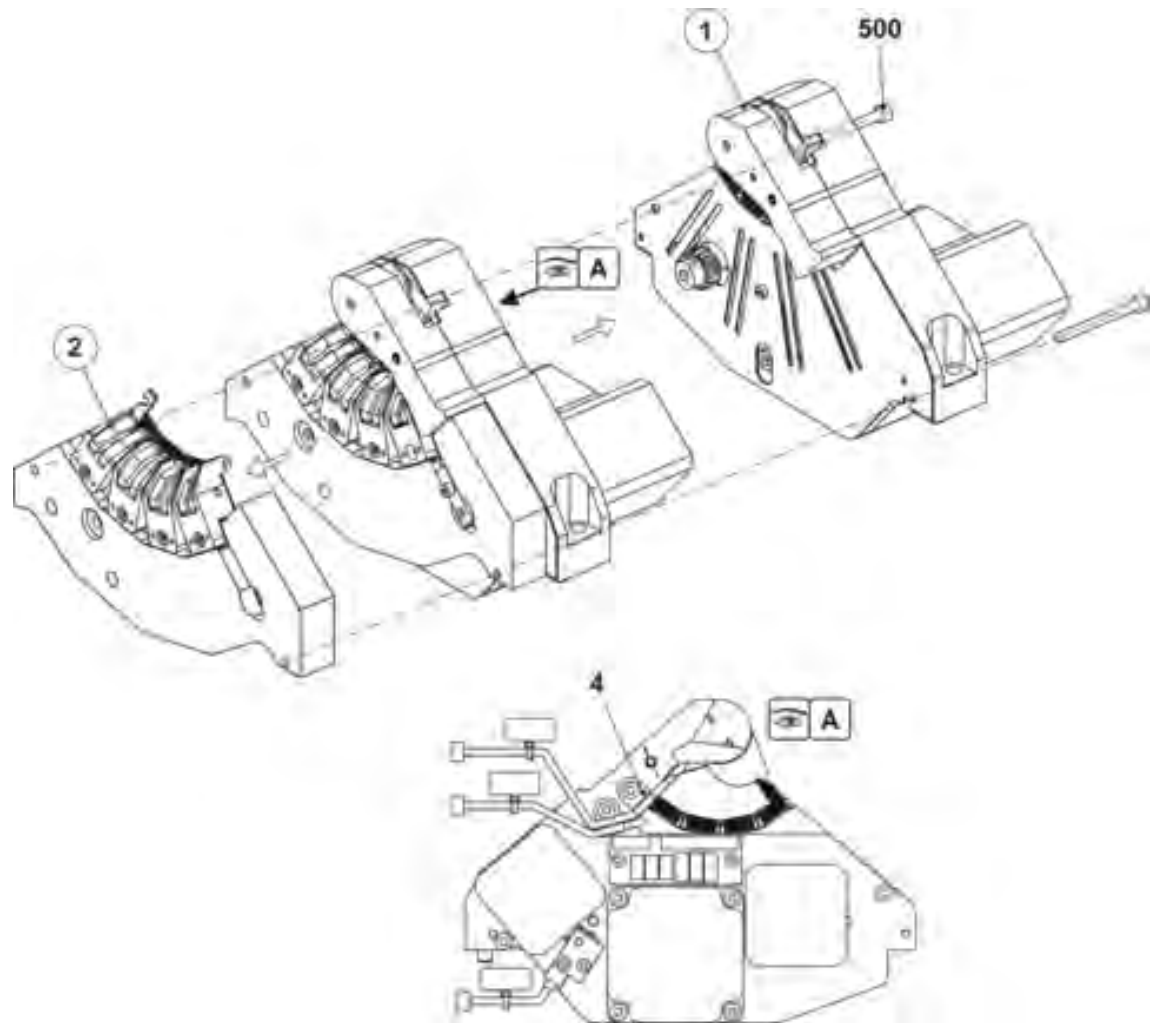
## 4.4 Continuation needle bed E9.2

Pos	Designation	ID	Pos	Designation	ID
2	Locating wire E7.2+9.2 D=3	254 360	25	Stop screw	235 244
6	Intermediate rail E9.2	254 389	29	Strip guider	254 443
13	Limiters on the left complete E5.2-9.2	236 976	30	Guider	233 023
14	Limiters on the right complete E5.2-9.2	236 977	31	Locating wire E7.2+9.2 D=1,6	254 369
15	Spring steel wire E7.2+9.2 D=0,8	254 362	500	Cap screw M3x6	022 589
16	Spring steel wire E7.2+9.2 D=2	254 363	503	Cap screw M5x12	020 132
17	Locating wire E7.2+9.2 D=2	254 364	45*	Adjusting piece	206 375
21	Cover rail selection E7.2+9.2	254 367	46*	Set screw complete	207 712



## 4.5 Clamping/cutting unit

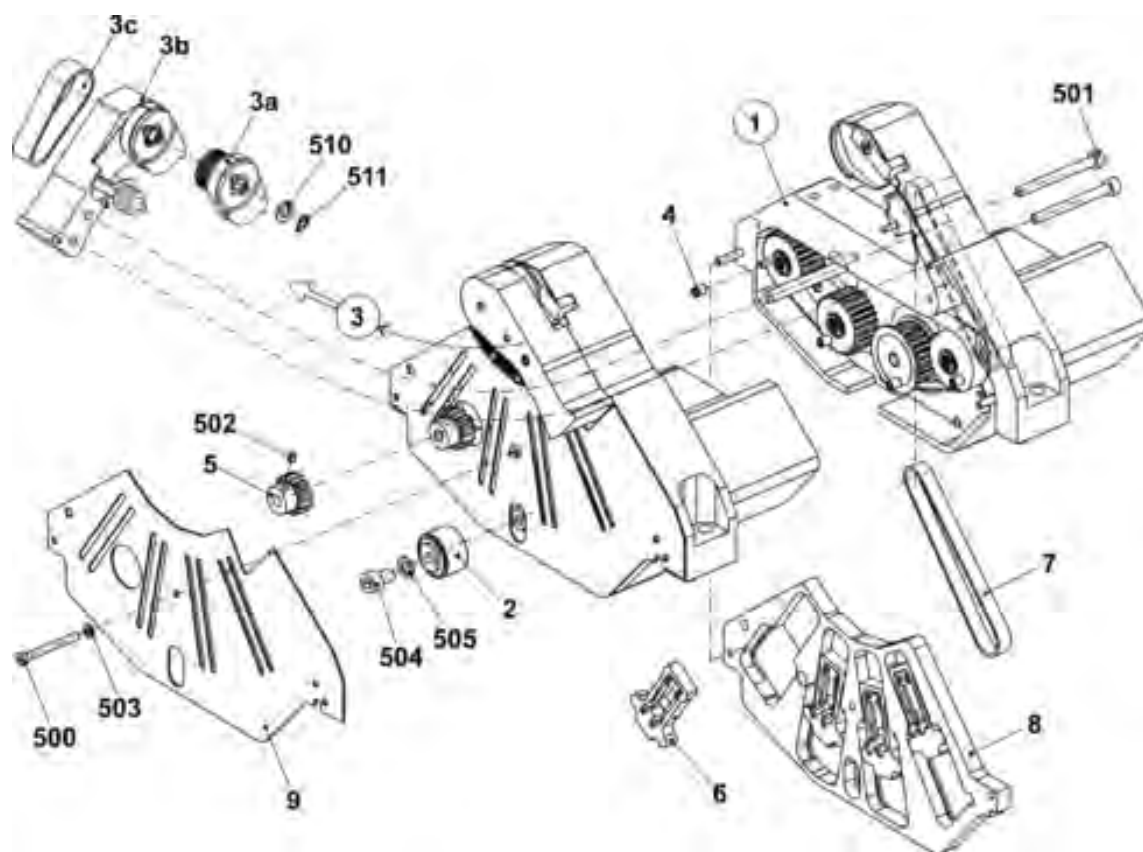
Pos	Designation	Id	Pos	Designation	Id
Σ	Clamping and cutting complete	214 257			
1	Crankcase complete	214 188	4	Fastening clip 225/3,2	008 321
2	Selection housing complete	214 256	500	Cap screw M4x45	023 419





### 4.5.1 Crankcase

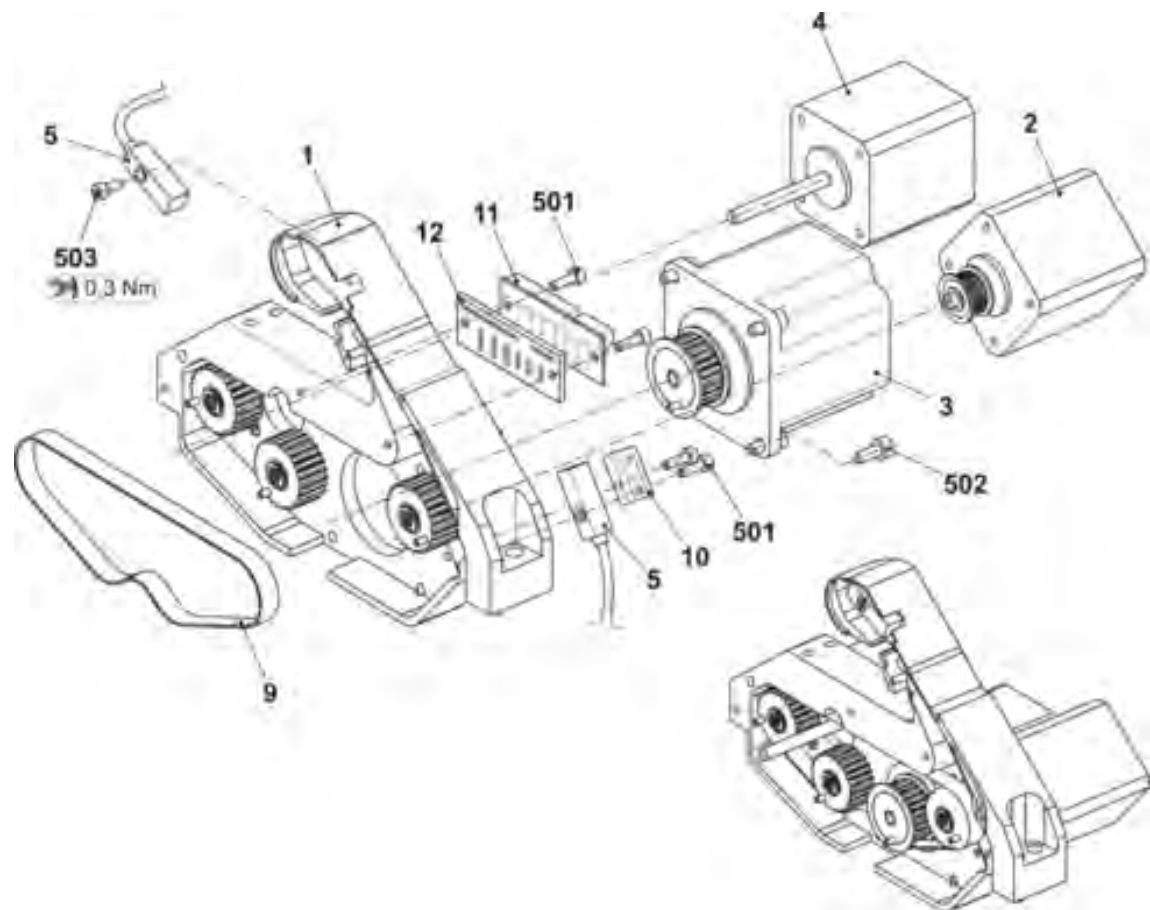
Pos	Designation	Id	Pos	Designation	Id
Σ	Crankcase complete	214 188			
1	Crankcase	215 078	6	Connecting rod slide complete	214 191
2	Tension roller complete	221 211	7	Toothed belt6M182	213 890
3	Finger support complete	235 501	8	Guiding plate	214 185
3a	Transport segment complete	235 500	9	Intermediate plate	214 704
3b	Finger support	234 993	500	Cap screw M3x28	022 350
3c	Toothed belt6M111	213 889	501	Cap screw M4x40	023 095
510	WasherA5,3	020 871	502	Setscrew M3x4-45H	022 674
511	Locking ring5x0,6	023 347	503	Washer3,2	020 877
4	Sleeve	214 240	504	Cap screw M5x8	023 319
5	Spur gear	213 893	505	Washer5,3	020 880



## 4.5 Clamping/cutting unit

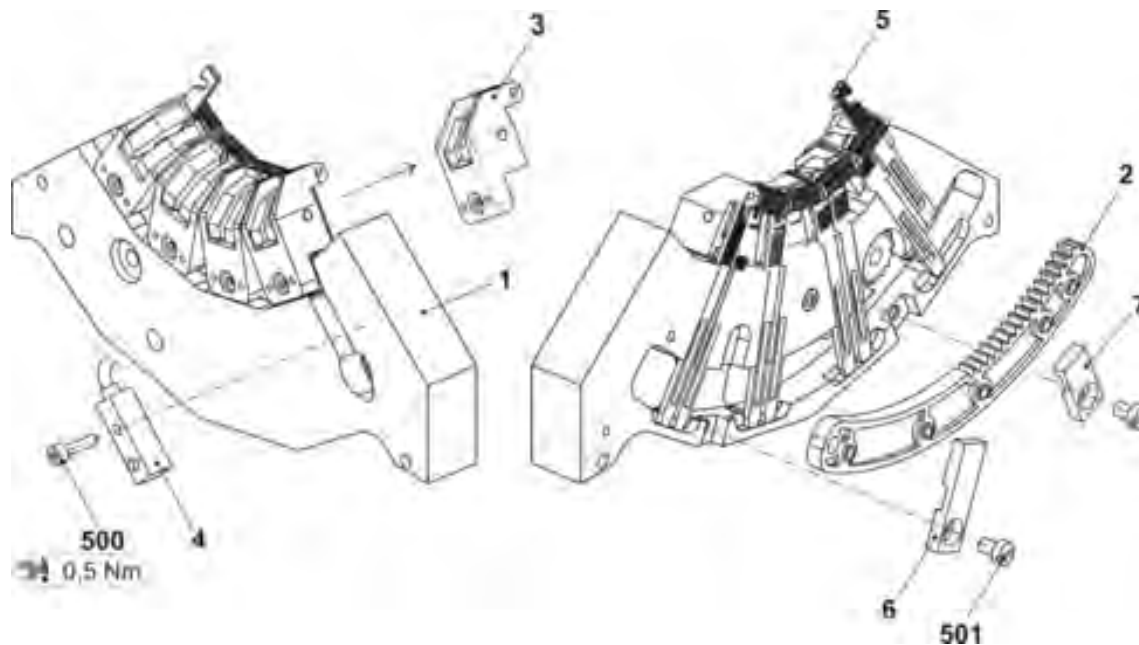
## 4.5.2 Crankcase with drive

Pos	Designation	Id		Pos	Designation	Id
Σ	Crankcase	215 078				
1	Crankcase	214 182		10	Sensor switch	213 721
2	Transport segment motor complete	213 815		11	Connector board	222 822
3	Step motor complete	213 819		12	Insulating plate	222 933
4	Step motor PK245	213 732		501	Cap screw M3x10	022 991
5	Proximity switch inductive	222 821		502	Cap screw M4x10	023 136
9	Toothed belt 80S3M300NG	213 891		503	Cap screw M3x8	022 582



### 4.5.3 Selection housing

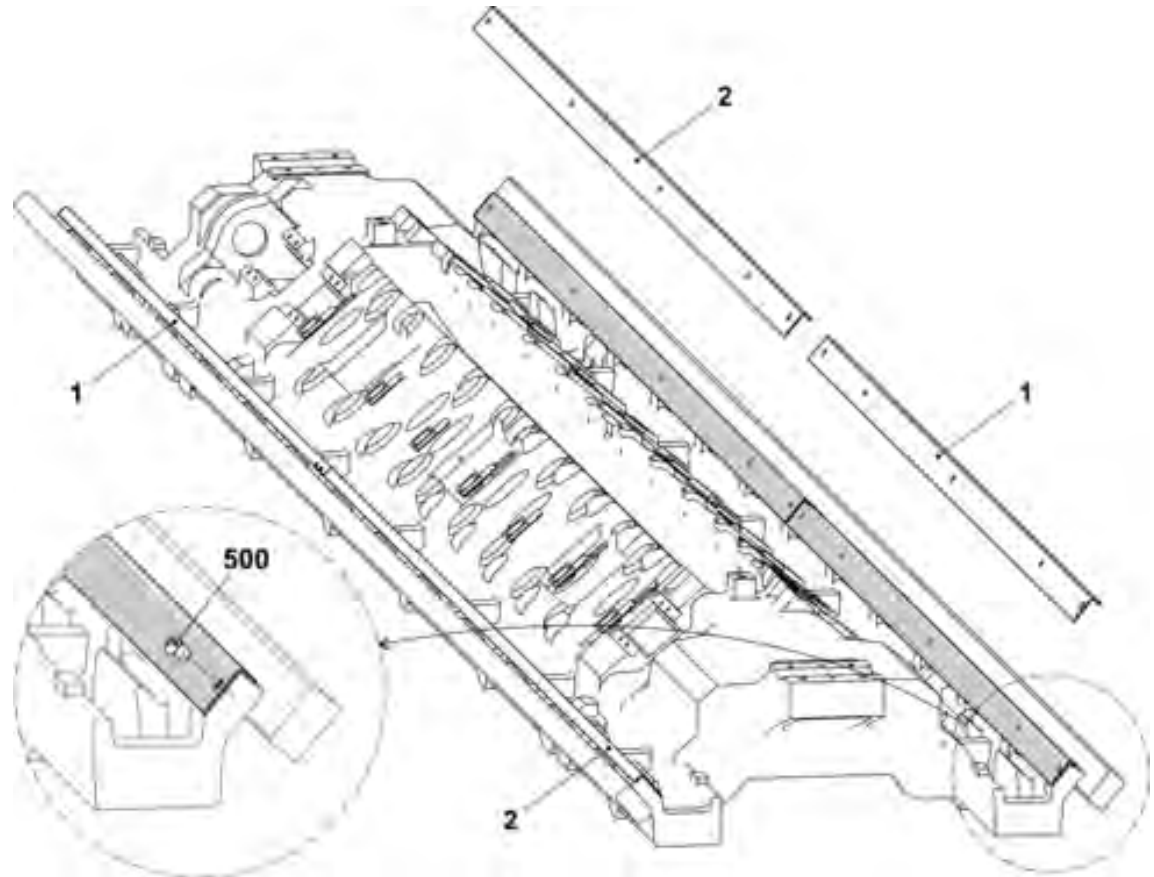
Pos	Designation	Id		Pos	Designation	Id
Σ	Selection housing complete	214 256		5	Clamping and cutting needle	216 408
1	Selection housing	214 288		6	Bridge on the left	224 698
2	Selection slide	227 073		7	Bridge on the right	224 701
3	Blade holder complete	251 720		500	Cap screw M3x12	022 648
4	Approximate switch inductive	222 821		501	Cap screw M4x6	020 019



## 4.6 Cover on the left and on the right

## 4.6 Cover on the left and on the right

Pos	Designation	ID	Pos	Designation	ID
1	Cover on the left	243 428	500	Pan-head screw M8x10	241 930
2	Cover on the right	243 429			



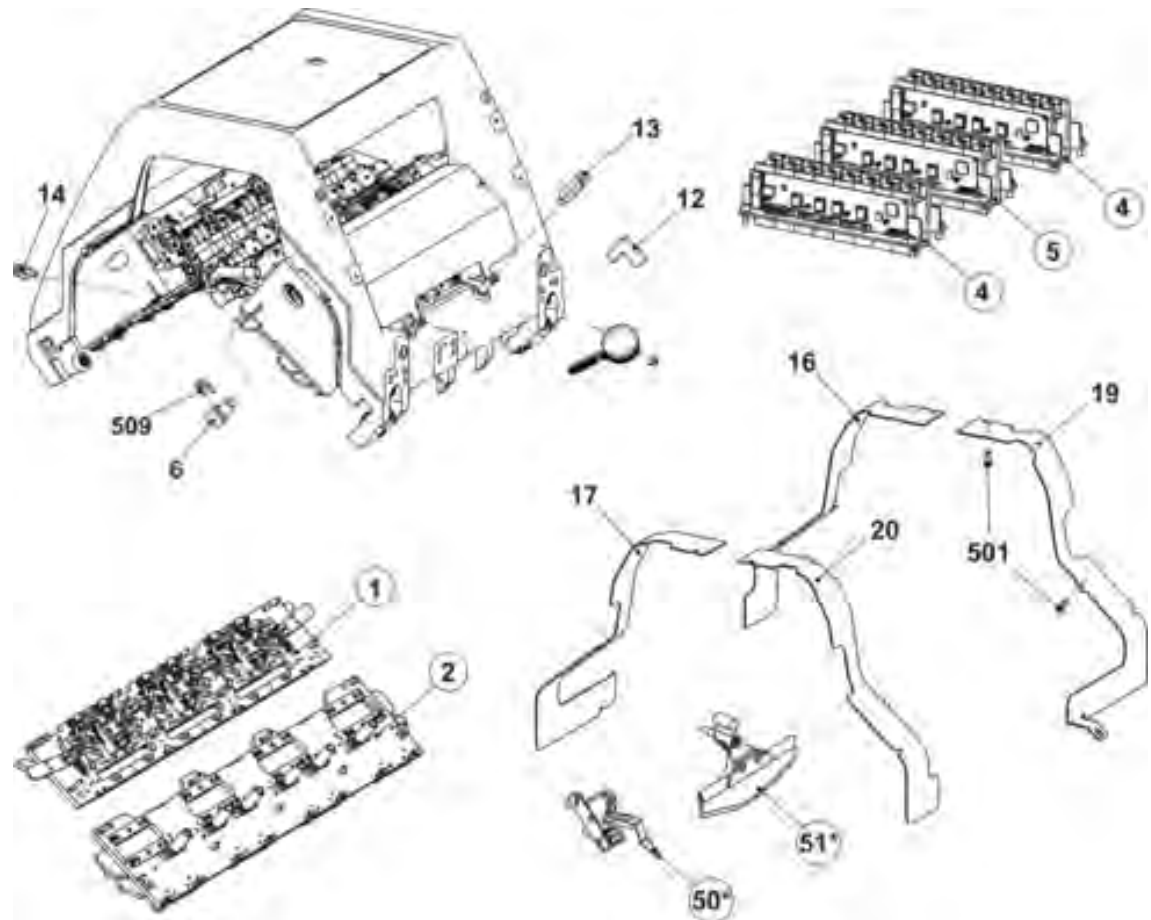
# 5 Carriage



## 5.1 Overview of carriage

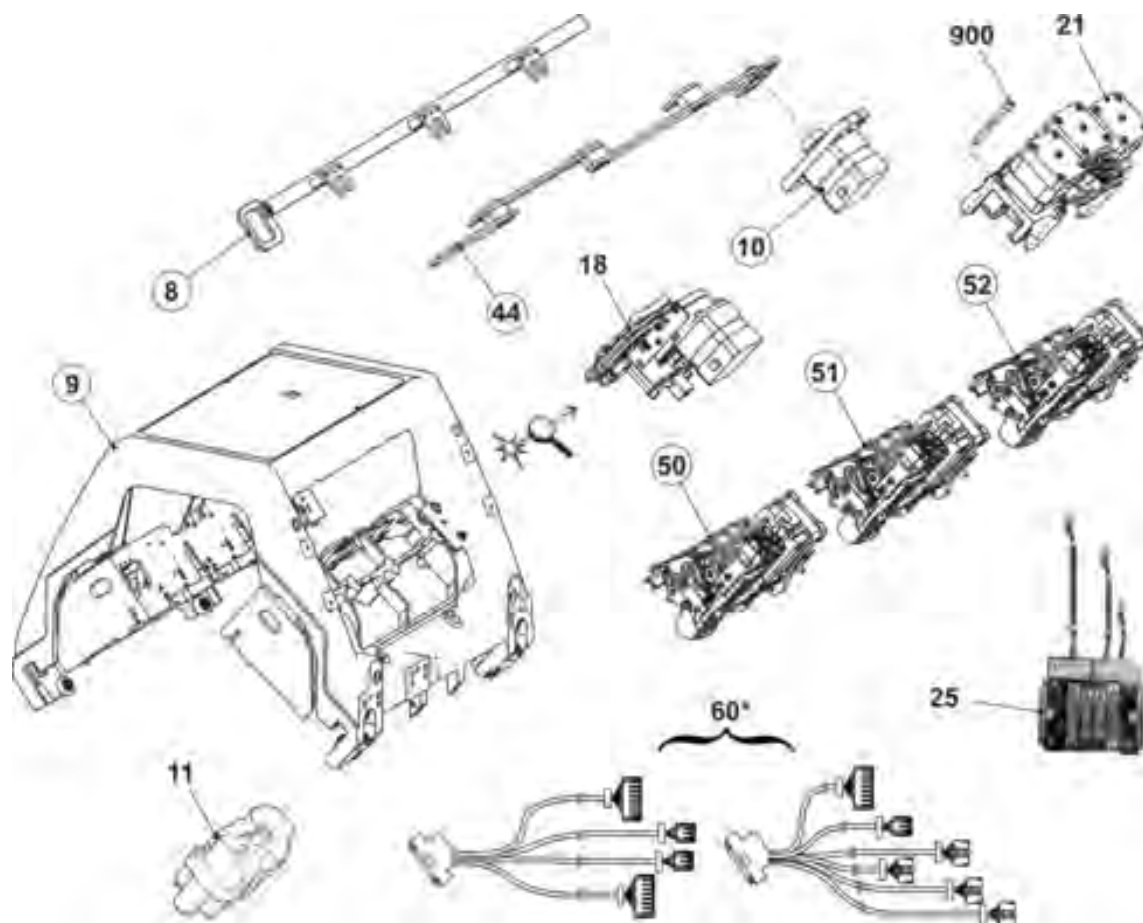
## 5.1 Overview of carriage

Pos	Designation	Id	Pos	Designation	Id
Σ	Carriage complete E3,5.2	256 455	12	Wiper felt	241 411
	Carriage complete E5.2	256 456	13	Bolts	212 204
	Carriage complete E6.2	256 648	14	Bolts	212 392
	Carriage complete E7.2	256 649	16	Cover plate on the left	250 274
	Carriage complete E9.2	256 650	17	Cover plate on the right	250 275
1	Needle cam complete		19	Guide plate at the rear on the left	245 323
	E3,5.2+5.2	256 416	20	Guide plate at the rear on the right	245 324
	E6.2+7.2	236 143	501	Cap screw M4X10	023 136
	E9.2	241 976	509	Circlip 3.2	021 019
2	Jack cam box complete	236 199	50*	Needle detector complete	237 050
	Jack cam box complete E9.2	254 294	51*	Brush holder complete	
4	YC driving outside complete	241 080		E3,5.2+5.2	243 077
	YC driving in the middle complete	241 081		E6.2+7.2	235 410
5	YC driving in the middle complete	241 081	E9.2	243 076	
6	Eccentric	244 520			



## 5.2 Overview of carriage, continuation

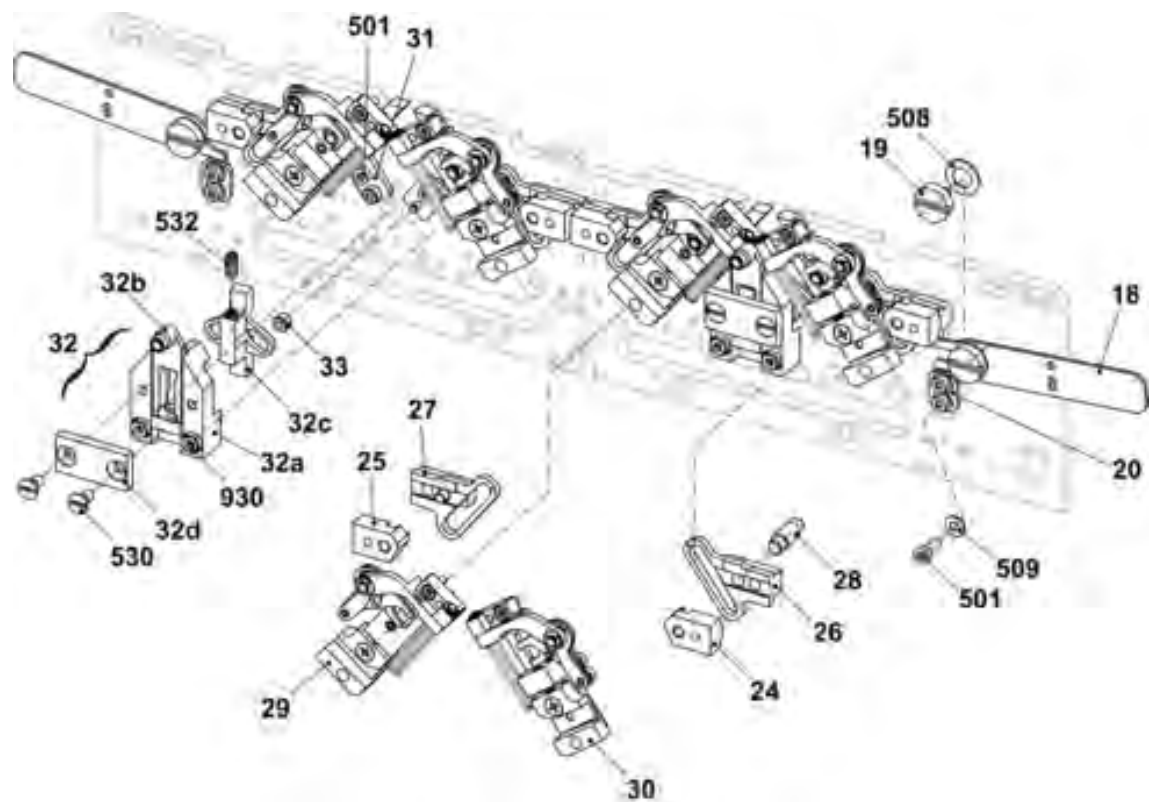
Pos	Designation	Id	Pos	Designation	Id
Σ	Carriage complete		50	Control unit jack/presser foot on the left	
	E3,5.2	256 455		E3,5.2	255 109
	E5.2	256 456		E5.2	254 513
	E6.2	256 648		E6.2	254 437
	E7.2	256 649		E7.2	253 972
	E9.2	256 650		E9.2	254 242
8	Sliding rod complete	236 101	51	Control unit jack/presser foot in the middle	
9	Carriage assembly 3 cam boxes complete	256 498		E3,5.2	255 123
10	Control unit brush	236 102		E5.2	254 512
11	Selection system complete			E6.2	254 436
	E2-8 (E3,5.2)	216 218		E7.2	253 973
	E10-12 (E5.2+6.2)	216 219	E9.2	254 243	
	E18 (E9.2)	229 300	52	Control unit jack/presser foot on the right	
	E16-18 (E9.2)	220 114		E3,5.2	255 110
18	Pressure part control complete			E5.2	254 514
	E3,5.2/E5.2/E6.2/E7.2	253 197		E6.2	254 438
	E9.2	254 998		E7.2	253 974
21	Motor unit complete	236 121	E9.2	254 244	
25	Distributor complete 730S OKC	236 067	60*	Cable set carriage 730S	236 887
44	Sliding rod complete	242 046	900	Cap screw M4X45	023 419



## 5.3 Cams E6.2 | E7.2 (Top side)

## 5.3 Cams E6.2 | E7.2 (Top side)

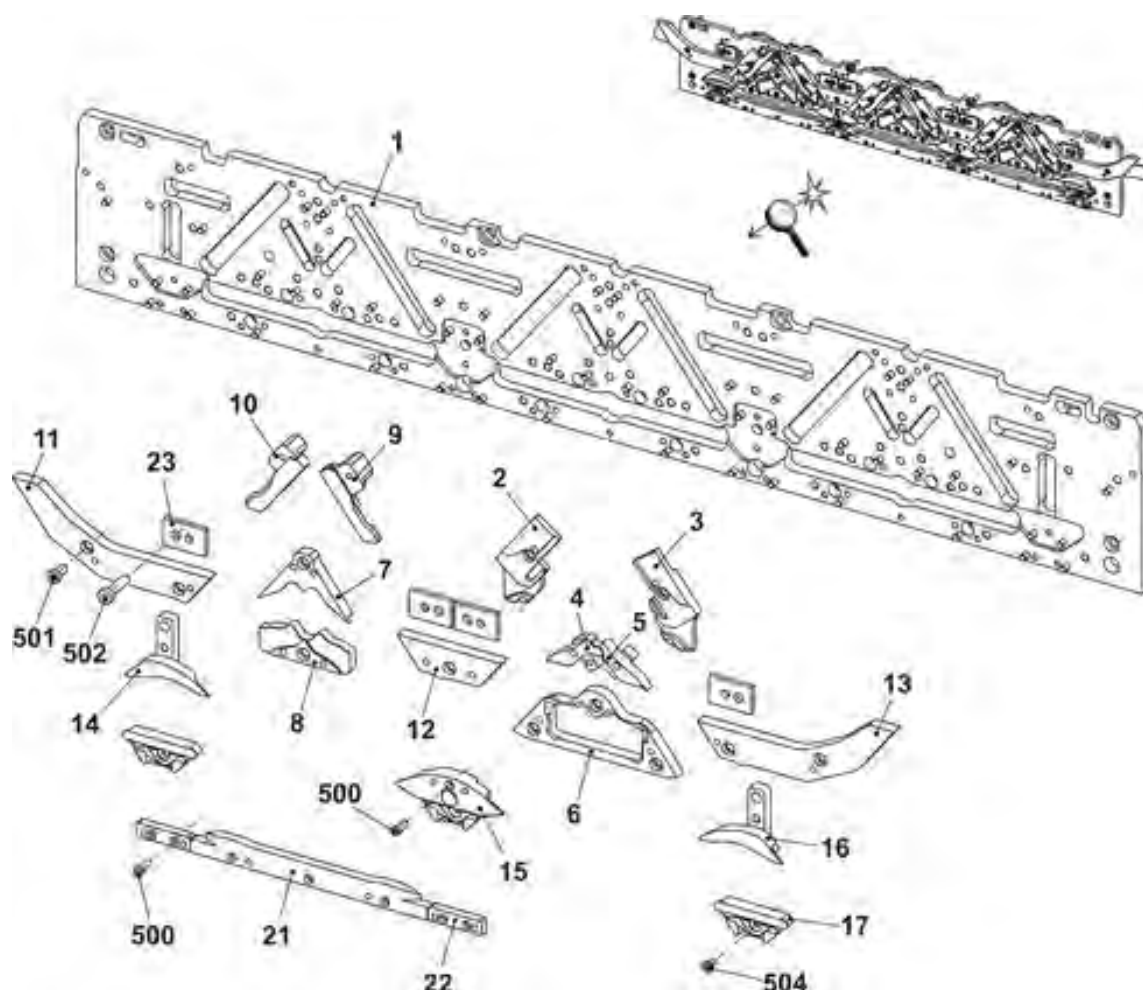
Pos	Designation	Id	Pos	Designation	Id
Σ	Needle cam complete E6.2 + 7.2	236 143	32	Control unit complete	236 293
18	Lever	235 461	32a	Guide block	235 547
19	Shoulder screw	235 462	32b	Switch slide complete	236 144
20	Plate	235 463	32c	Control slide	235 550
24	Support right sliding rod	235 227	32d	Cover plate	235 546
25	Support left sliding rod	235 738	530	Countersunk screw M4x8	020 294
26	Slider on the right 2nd stitch tension	235 230	532	Compression spring 060x3.23x12.5	236 507
27	Slider on the left 2nd stitch tension	235 749	930	Cap screw M4x16	020 131
28	Eccentric	235 237	33	Slide bearing	235 556
29	Loop forming unit on the left	238 699	501	Cap screw M4x8	020 091
30	Loop forming unit on the right	238 700	508	Shim ring 8x14x0.5	023 501
31	Bearing plate	235 548	509	U-washer 4	020 879





## 5.4 Cams E6.2 | E7.2 (Lower side)

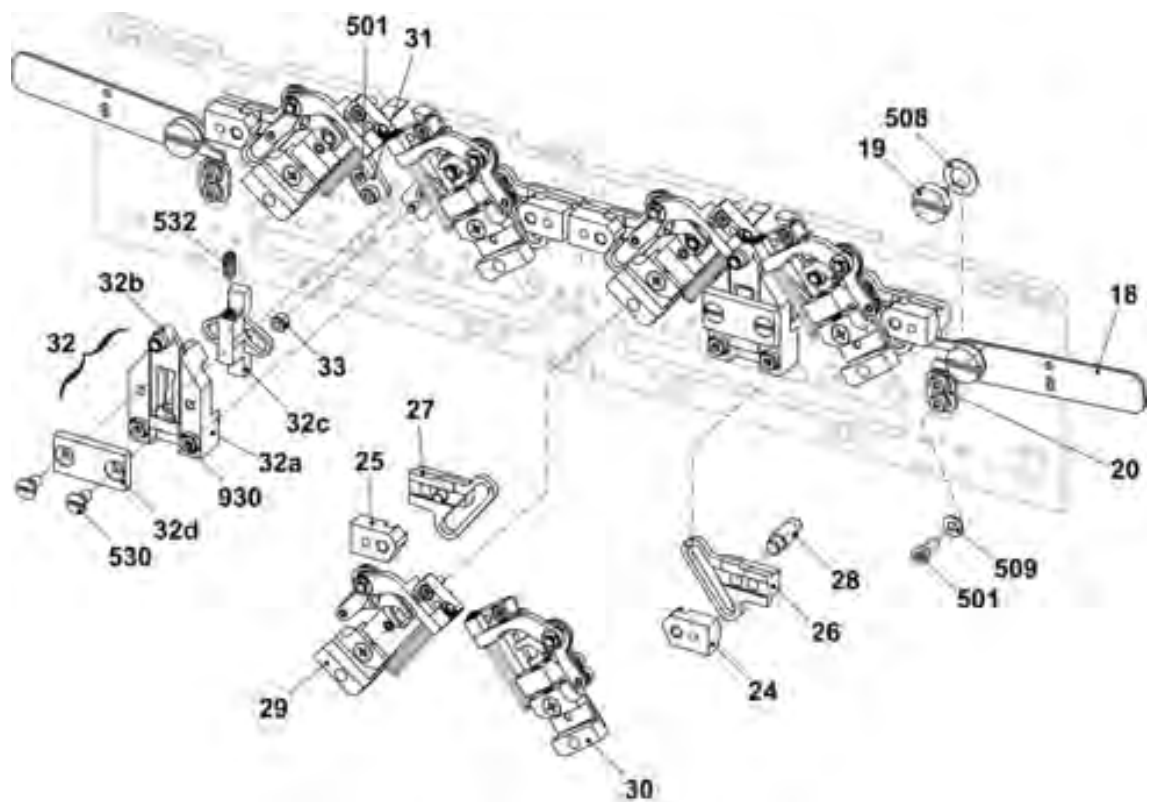
Pos	Designation	Id	Pos	Designation	Id
Σ	Needle cam complete E6.2 + 7.2	236 143			
1	Cam plate knitting	235 796	13	Entry cam on the right at the top	253 266
2	Stitch cam on the left E6.2 + 7.2	253 367	14	Entry cam at the bottom on the left	235 457
3	Stitch cam on the right E6.2 + 7.2	253 368	15	Knitting position cam in the middle	236 440
4	Switching part on the left E6.2 + 7.2	235 426	16	Entry cam at the bottom on the right	235 459
5	Switching part on the right E6.2 + 7.2	235 427	17	Knitting position cam	235 460
6	Knitting raising cam E6.2 + 7.2	251 853	21	Pressure strip	235 701
7	Transfer cam E6.2 + 7.2	235 429	22	Limit cam at the bottom	235 702
8	Receiving cam E6.2 + 7.2	251 854	23	Guide plate	235 223
9	Stitch cam on the left 2nd stitch tension co. E6.2+7.2	253 128	500	Cap screw M3x8	020 081
10	Stitch cam on the right 2nd stitch tension co. E6.2+7.2	253 129	501	Cap screw M4x8	020 091
11	Entry cam on the left at the top	253 265	502	Cap screw M4x16	023 123
12	Entry cam in the middle at the top	253 273	504	Countersunk screw M3x6	020 286



## 5.5 Cams E9.2 (Top side)

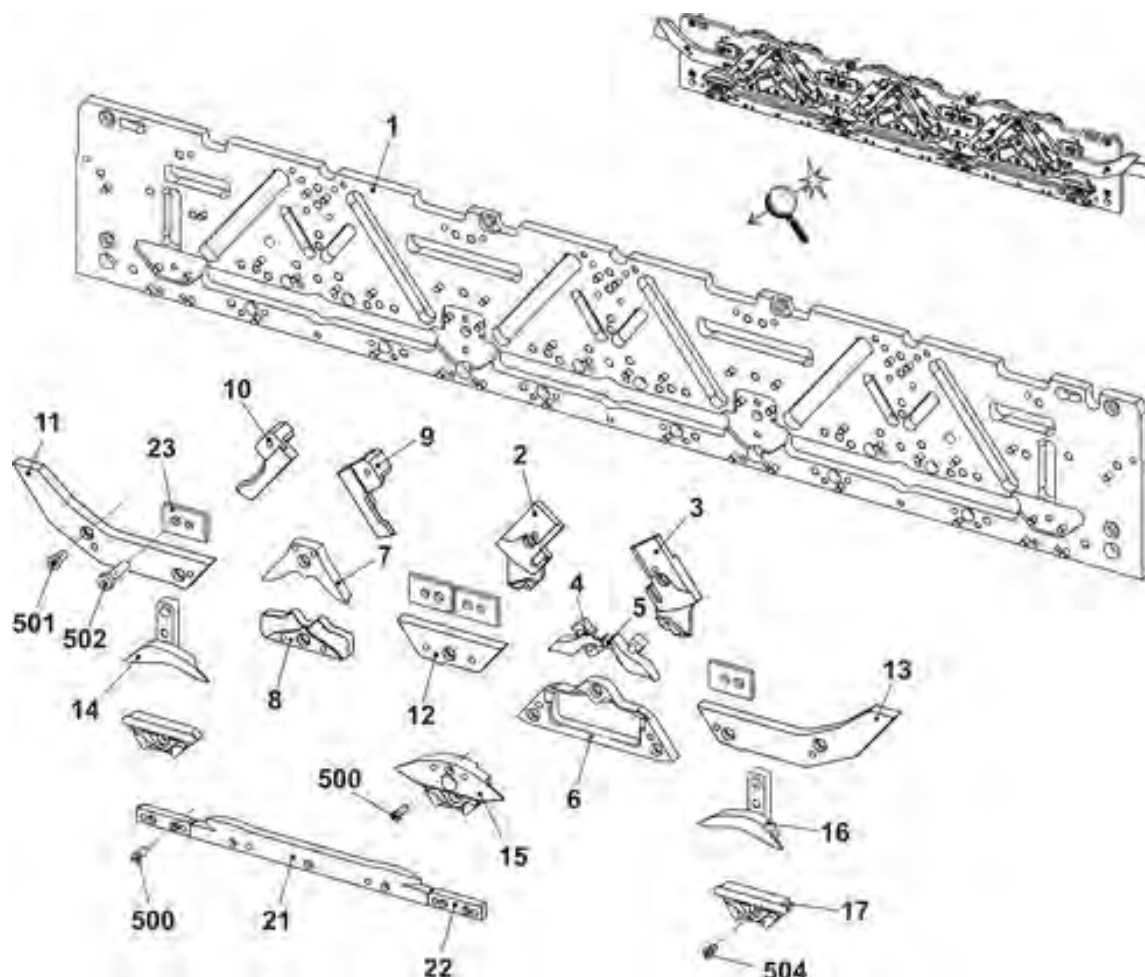
## 5.5 Cams E9.2 (Top side)

Pos	Designation	Id	Pos	Designation	Id
Σ	Needle cam complete E9.2	241 976	32	Control unit complete	236 293
18	Lever	235 461	32a	Guide block	235 547
19	Shoulder screw	235 462	32b	Switch slide complete	236 144
20	Plate	235 463	32c	Control slide	235 550
24	Support right sliding rod	235 227	32d	Cover plate	235 546
25	Support left sliding rod	235 738	530	Countersunk screw M4x8	020 294
26	Slider on the right 2nd stitch tension	235 230	532	Compression spring 060x3.23x12.5	236 507
27	Slider on the left 2nd stitch tension	235 749	930	Cap screw M4x16	020 131
28	Eccentric	235 237	33	Slide bearing	235 556
29	Loop forming unit on the left	238 699	501	Cap screw M4x8	020 091
30	Loop forming unit on the right	238 700	508	Shim ring 8x14x0.5	023 501
31	Bearing plate	235 548	509	U-washer 4	020 879



## 5.6 Cams E9.2 (bottom side)

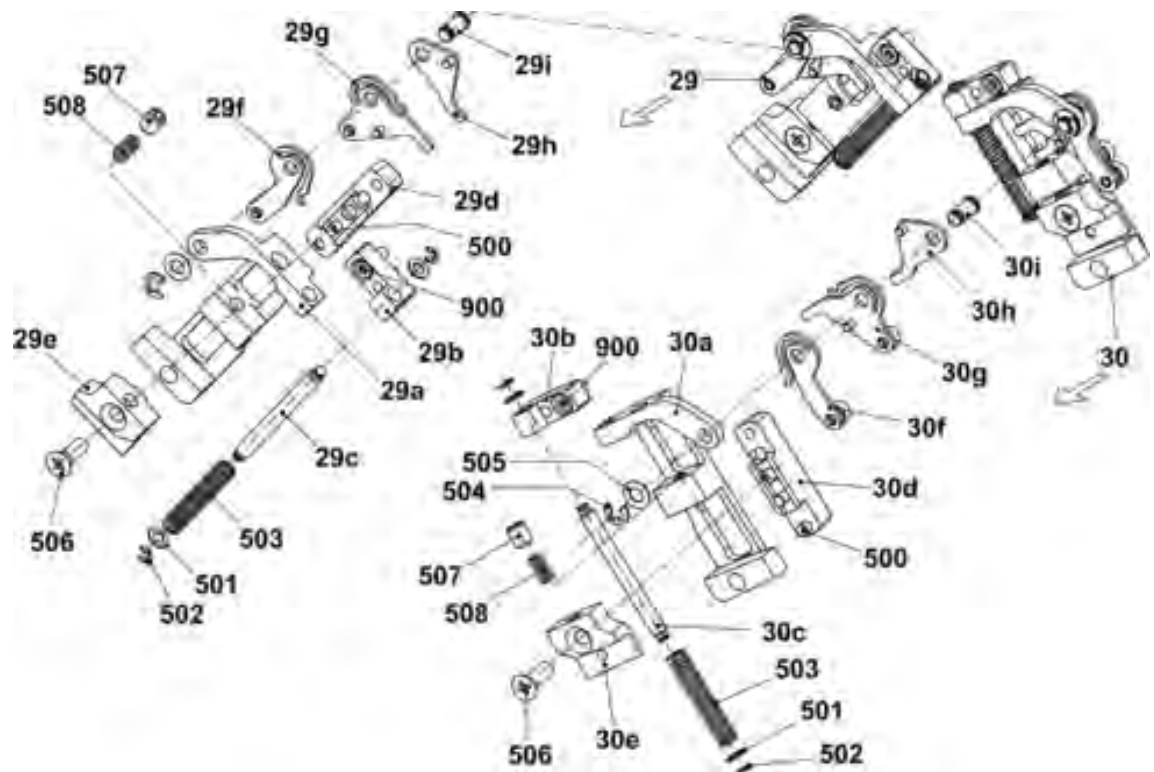
Pos	Designation	Id	Pos	Designation	Id
Σ	Needle cam complete E9.2	241 976			
1	Cam plate knitting	235 796	13	Entry cam on the right at the top	253 266
2	Stitch cam on the left E9.2	252 553	14	Entry cam at the bottom on the left	235 457
3	Stitch cam on the right E9.2	252 554	15	Knitting position cam in the middle	236 440
4	Switching part on the left E9.2	241 466	16	Entry cam at the bottom on the right	235 459
5	Switching part on the right E9.2	241 467	17	Knitting position cam	235 460
6	Knitting raising cam E9.2	252 779	21	Pressure strip	235 701
7	Transfer cam E9.2	241 435	22	Limit cam at the bottom	235 702
8	Receiving cam E9.2	253 342	23	Guide plate	235 223
9	Stitch cam on the left 2nd stitch tension co. E9.2	253 130	500	Cap screw M3x8	020 081
10	Stitch cam on the right 2nd stitch tension co. E9.2	253 131	501	Cap screw M4x8	020 091
11	Entry cam on the left at the top	253 265	502	Cap screw M4x16	023 123
12	Entry cam in the middle at the top	253 273	504	Countersunk screw M3x6	020 286



## 5.7 Loop forming cam on the left and right

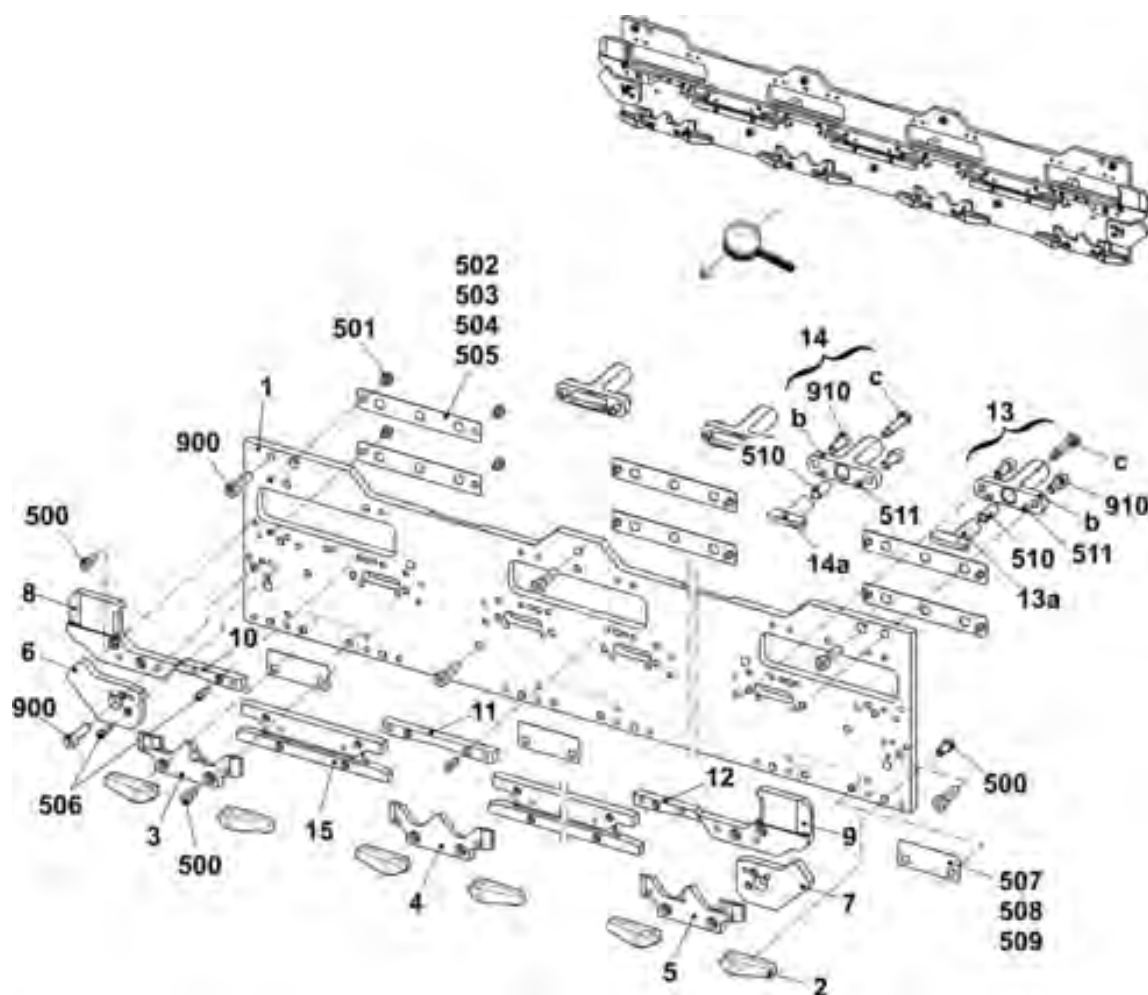
## 5.7 Loop forming cam on the left and right

Pos	Designation	Id	Pos	Designation	Id
29	Loop forming cam on the left	238 699	30	Stitch forming cam on the right complete E5 - E10	238 700
29a	Loop forming cam on the left	235 753	30a	Stitch forming cam on the right complete E5 - E10	235 232
29b	Rod guidance part	235 229	30b	Rod guidance part	235 229
29c	Spring rod	235 239	30c	Spring rod	235 239
29d	Guide part	238 092	30d	Guide part	238 092
29e	Pressure pad on the left	238 093	30e	Pressure pad on the right	238 094
29f	Lever 2 on the left complete	238 681	30f	Lever 2 on the right complete	238 682
29g	Lever 1 on the left complete	238 696	30g	Lever 1 on the right complete	238 697
29h	Lever 3 on the left complete	238 686	30h	Lever 3 on the right complete	238 685
29i	Bolts	235 238	30i	Bolts	235 238
500	Setting pin 3x6	020 642	500	Setting pin 3x6	020 642
501	U-washer 3	020 877	501	U-washer 3	020 877
502	Circlip 1.9	023 565	502	Circlip 1.9	023 565
503	Compression spring 0.45x5.05x63.14	023 706	503	Compression spring 0.45x5.05x63.14	023 706
504	Circlip 3.2	021 019	504	Circlip 3.2	021 019
505	Shim ring 4x8x0.3	023 428	505	Shim ring 4x8x0.3	023 428
506	Countersunk screw M3x10	023 075	506	Countersunk screw M3x10	023 075
507	Set screw M5x6	022 580	507	Set screw M5x6	022 580
508	Compression spring 0.60x3.23x12.50	236 507	508	Compression spring 0.60x3.23x12.50	236 507
900	Cap screw M3x8	022 582	900	Cap screw M3x8	022 582



## 5.8 Jack cam box (E3,5.2 | E5.2 | E6.2 | E7.2)

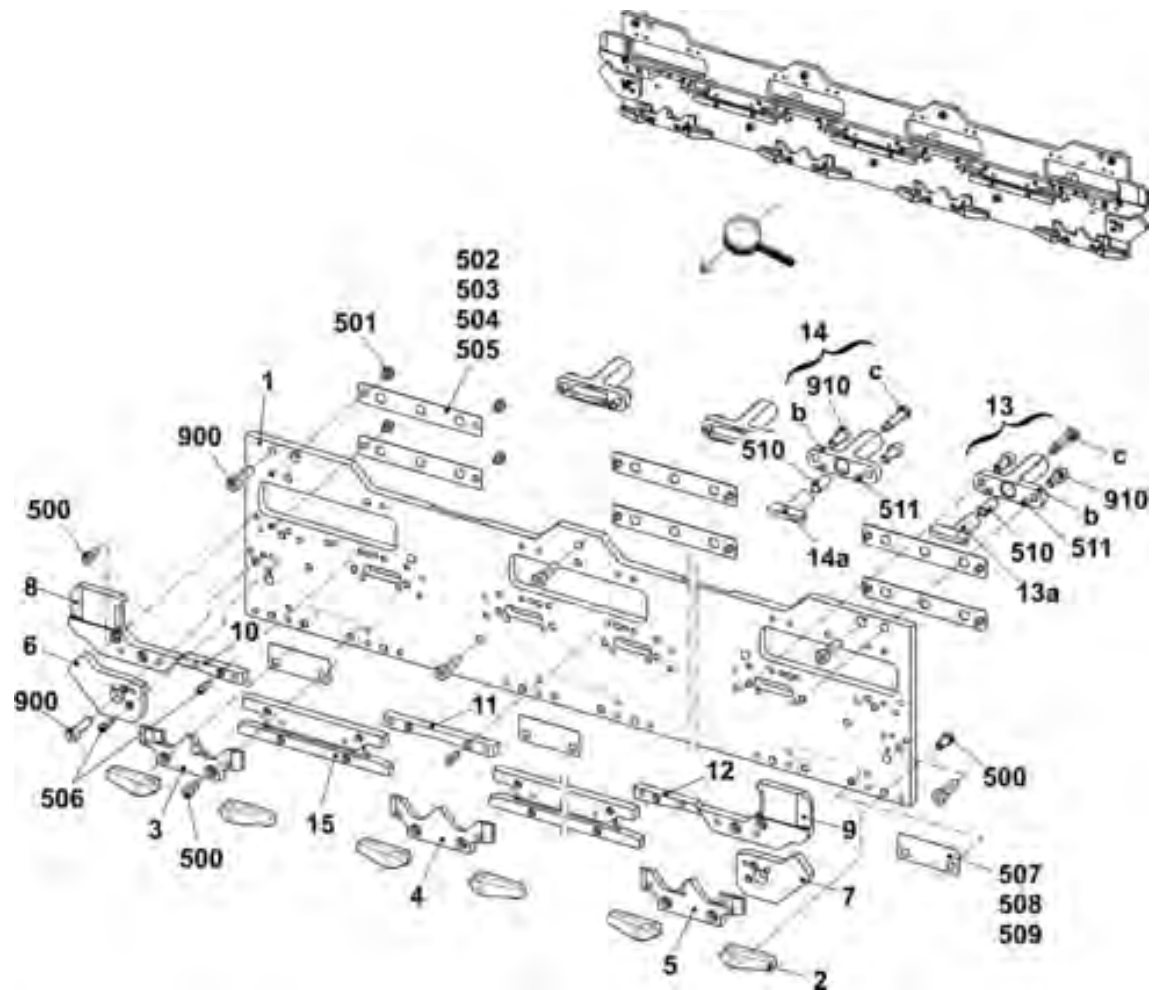
Pos	Designation	Id	Pos	Designation	Id
Σ	Jack cam box complete	236 199	13	510 Compression spring 0.40x5.00x23.70	236 951
1	Cam plate selection	235 795		511 Setting pin 3x8	020 644
2	Offering cam	229 906		910 Cap screw M4X10	023 136
3	Selector cam on the left	235 961	14	Limit cam on the left complete	236 966
4	Selector cam	235 762		14a Limit cam on the left	236 009
5	Selector cam on the right	235 962	15	Limit cam	241 721
6	Cam on the left	237 592	500	Cap screw M4x8	020 091
7	Cam part at the right	237 593	501	Countersunk screw M3x4	023 142
8	Cam on the left	237 590	502	Shim 0,03x12x75	022 828
9	Cam part at the right	237 591	503	Shim 0,05x12x75	022 829
10	Limit cam on the left	241 722	504	Shim 0,10x12x75	022 830
11	Limit cam in the middle	241 723	505	Shim 0,05x12x75	022 831
12	Limit cam on the right	241 724	506	Cap screw M3x8	020 081
13	Limit cam on the right complete	236 965	507	Shim selection cam 0.05	242 495
	13a Limit cam on the right	236 008	508	Shim selection cam 0.1	242 496
	b Guidance	236 006	509	Shim selection cam 0.2	242 497
	c Shoulder screw	236 004	900	Cap screw M4x16	020 131



## 5.9 Jack cam box E9.2

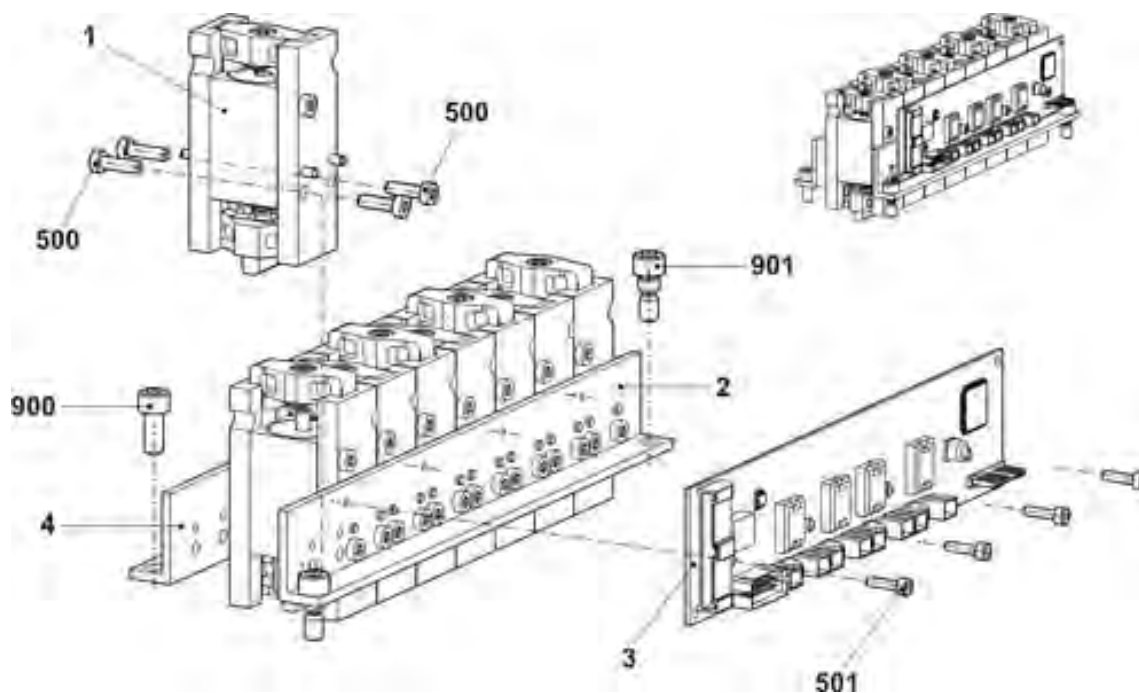
## 5.9 Jack cam box E9.2

Pos	Designation	Id	Pos	Designation	Id	
Σ	Jack cam box complete E9.2	254 294	13	510	Compression spring 0.40x5.00x23.70	236 951
1	Cam plate selection	235 795		511	Setting pin 3x8	020 644
2	Offering cam	229 906		910	Cap screw M4X10	023 136
3	Selector cam on the left	242 347	14	Limit cam on the left complete		236 966
4	Selector cam	242 348		14a	Limit cam on the left	236 009
5	Selector cam on the right	242 349	15	Limit cam		241 721
6	Cam on the left	237 592	500	Cap screw M4x8		020 091
7	Cam part at the right	237 593	501	Countersunk screw M3x4		023 142
8	Cam on the left	237 590	502	Shim 0,03x12x75		022 828
9	Cam part at the right	237 591	503	Shim 0,05x12x75		022 829
10	Limit cam on the left	241 722	504	Shim 0,10x12x75		022 830
11	Limit cam in the middle	241 723	505	Shim 0,05x12x75		022 831
12	Limit cam on the right	241 724	506	Cap screw M3x8		020 081
13	Limit cam on the right complete	236 965	507	Shim selection cam 0.05		242 495
	13a	Limit cam on the right	508	Shim selection cam 0.1		242 496
	b	Guidance	509	Shim selection cam 0.2		242 497
	c	Shoulder screw	236 004	900	Cap screw M4x16	



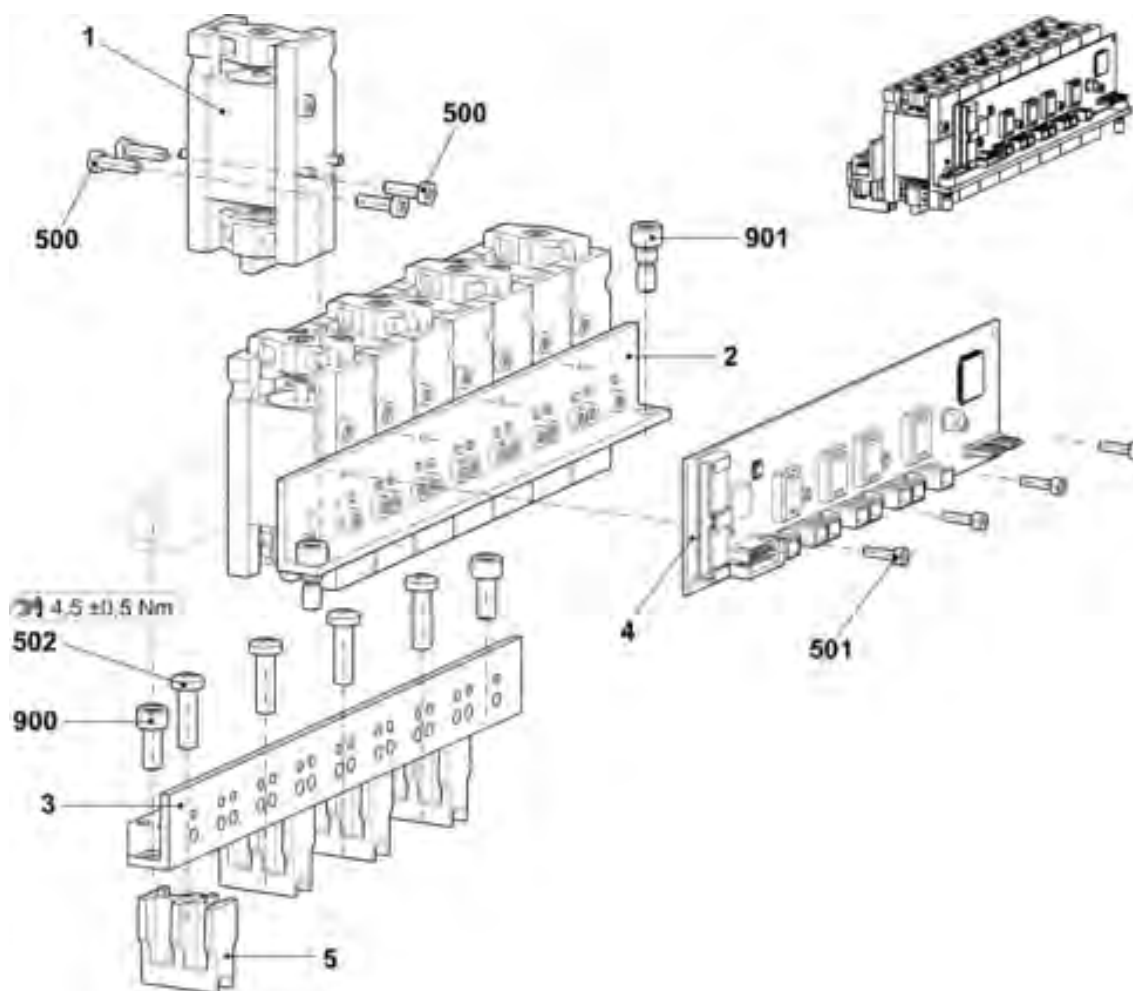
## 5.10 Yarn carrier driving without guide part

Pos	Designation	Id	Pos	Designation	Id
Σ	FF driving outside complete	241 080			
1	Yarn carrier plunger complete	242 214	500	Cap screw M4x14-I-Torx	242 279
2	Holding angle for jack	241 038	501	Cap screw M3x12-12.9	022 648
3	Card yarn carrier final stages OKC	300 960	900	Cap screw M6x14	022 658
4	Holding angle for YC driving	242 903	901	Shoulder screw	231 899



## 5.11 Yarn carrier driving with guide part

Pos	Designation	Id	Pos	Designation	Id
Σ	FF driving in the middle complete	241 081			
1	Yarn carrier plunger complete	242 214	500	Cap screw M4x14-I-Torx	242 279
2	Holding angle for jack	241 038	501	Cap screw M3x12-12.9	022 648
3	Holding angle for YC driving	241 044	502	Screw KB60X20	243 625
4	Card yarn carrier final stagesOKC	300 960	900	Cap screw M6x14	022 658
5	Guide part	239 972	901	Shoulder screw	231 899

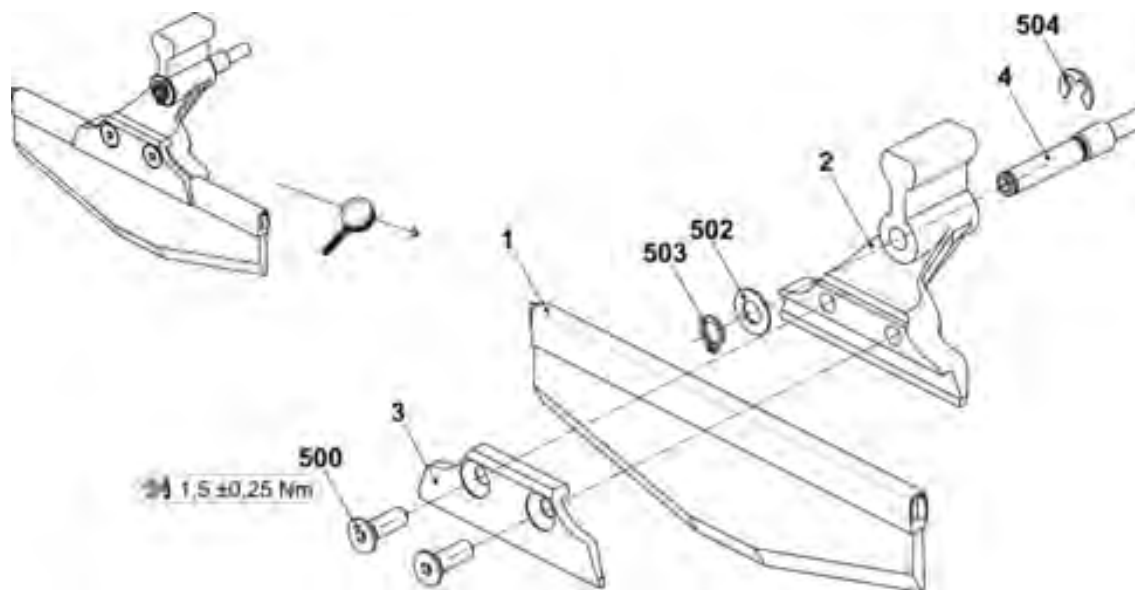






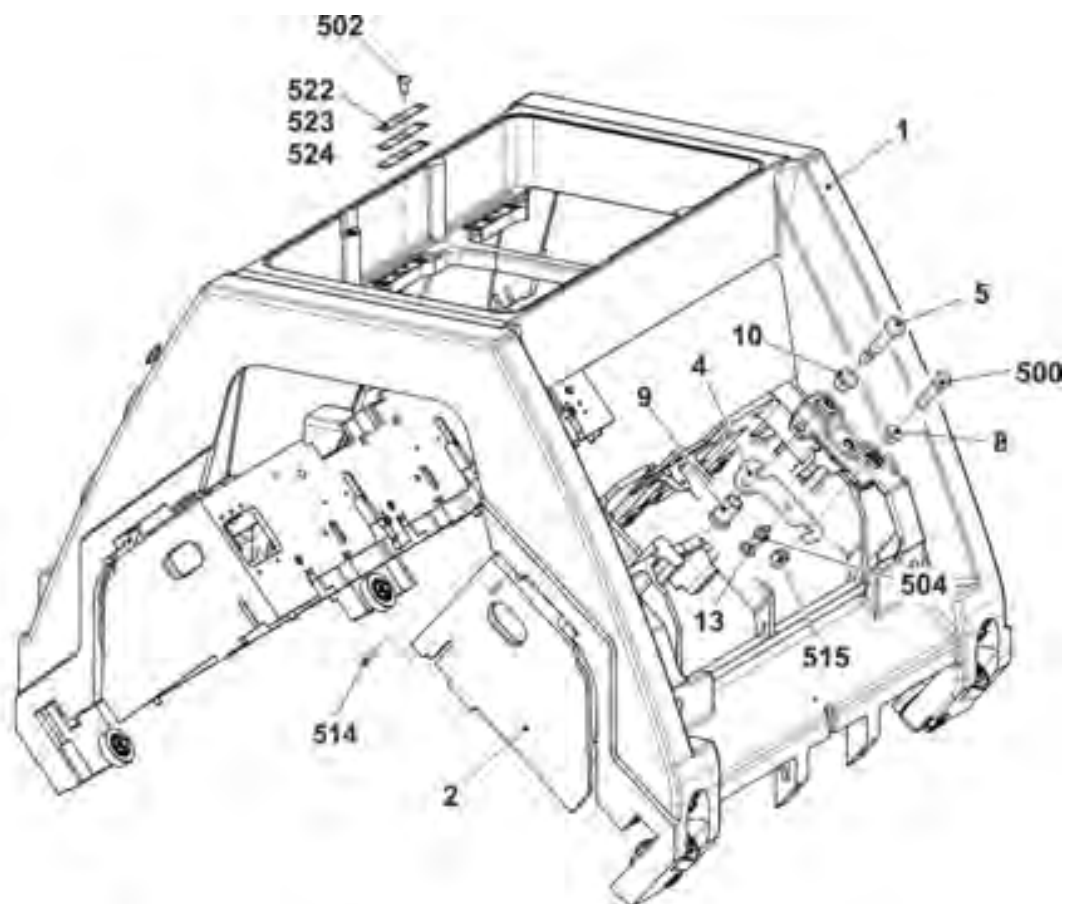
### 5.13 Brush holder

Pos	Designation	Id	Pos	Designation	Id
Σ	Brush holder E3,5.2-5.2	243 077	1	Brush E4-8	203 254
	Brush holder E6.2-7.2	235 410		Brush E6.2-7.2	243 074
	Brush holder E9.2	243 076		Brush E9.2	237 977
2	Brush holder	235 411	500	Countersunk screw M3x10	023 062
3	Brush clamp	213 010	502	Adjusting washer 5x10x0.5	023 348
4	Threaded rod	242 066	503	Locking ring 68x2.5	023 347
			504	Circlip 4	021 020



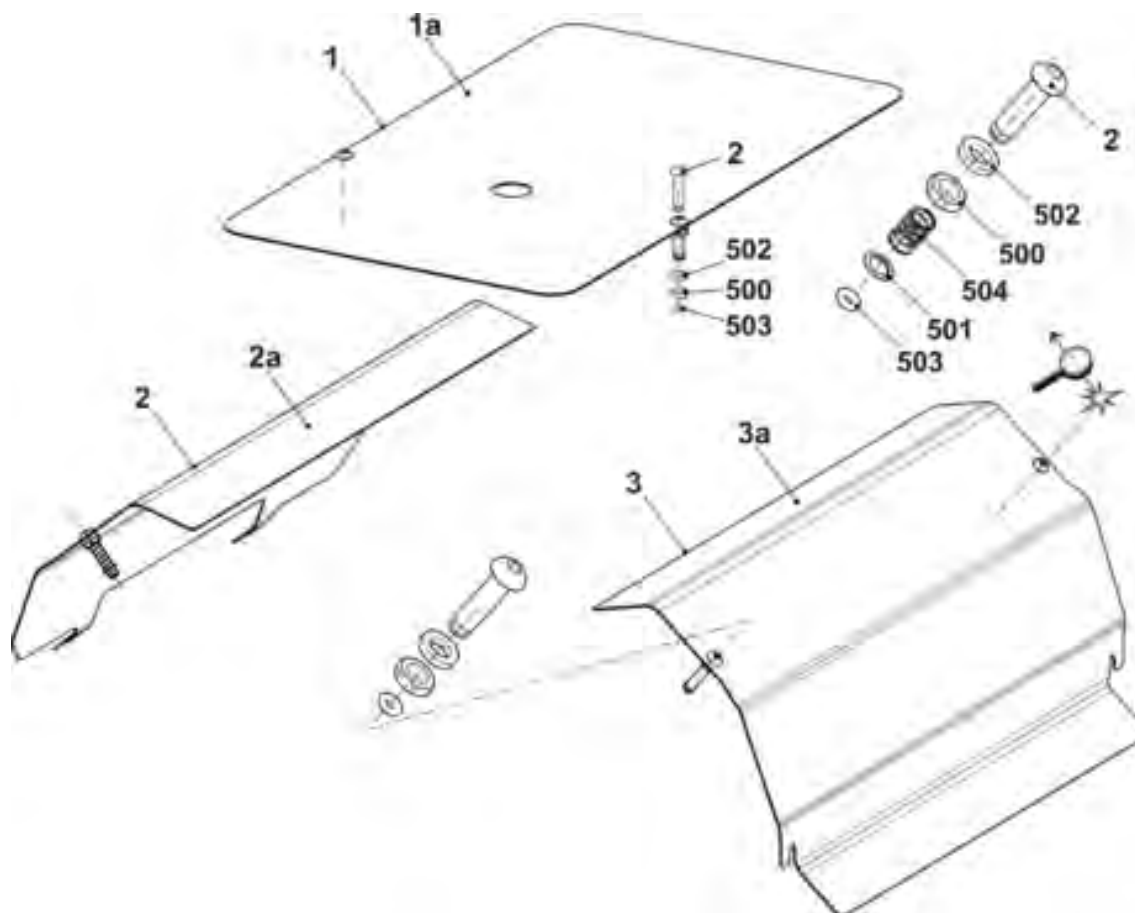
## 5.14 Carriage

Pos	Designation	Id	Pos	Designation	Id
Σ	Carriage assembly 3 cam boxes complete	256 498			
1	Carriage frame, 3 cam boxes	256 503	500	Cap screw M8x30	020 143
2	Carriage part, 3 cam boxes	241 241	502	Countersunk screw M6x10	023183
4	Shim	225 312	504	Safety disk 6	021 022
5	Dowel screw	211 750	514	Setting pin 5x14	020 670
8	Bush	207 546	515	Threaded bushing M12x11.5	041 863
9	Bush	209 275	522	Shim 0,2x10x70	023 699
10	Bush	209 274	523	Shim 0,1x10x70	023 698
13	Locating bolt linking spot	244 179	524	Shim 0,05x10x70	023 697



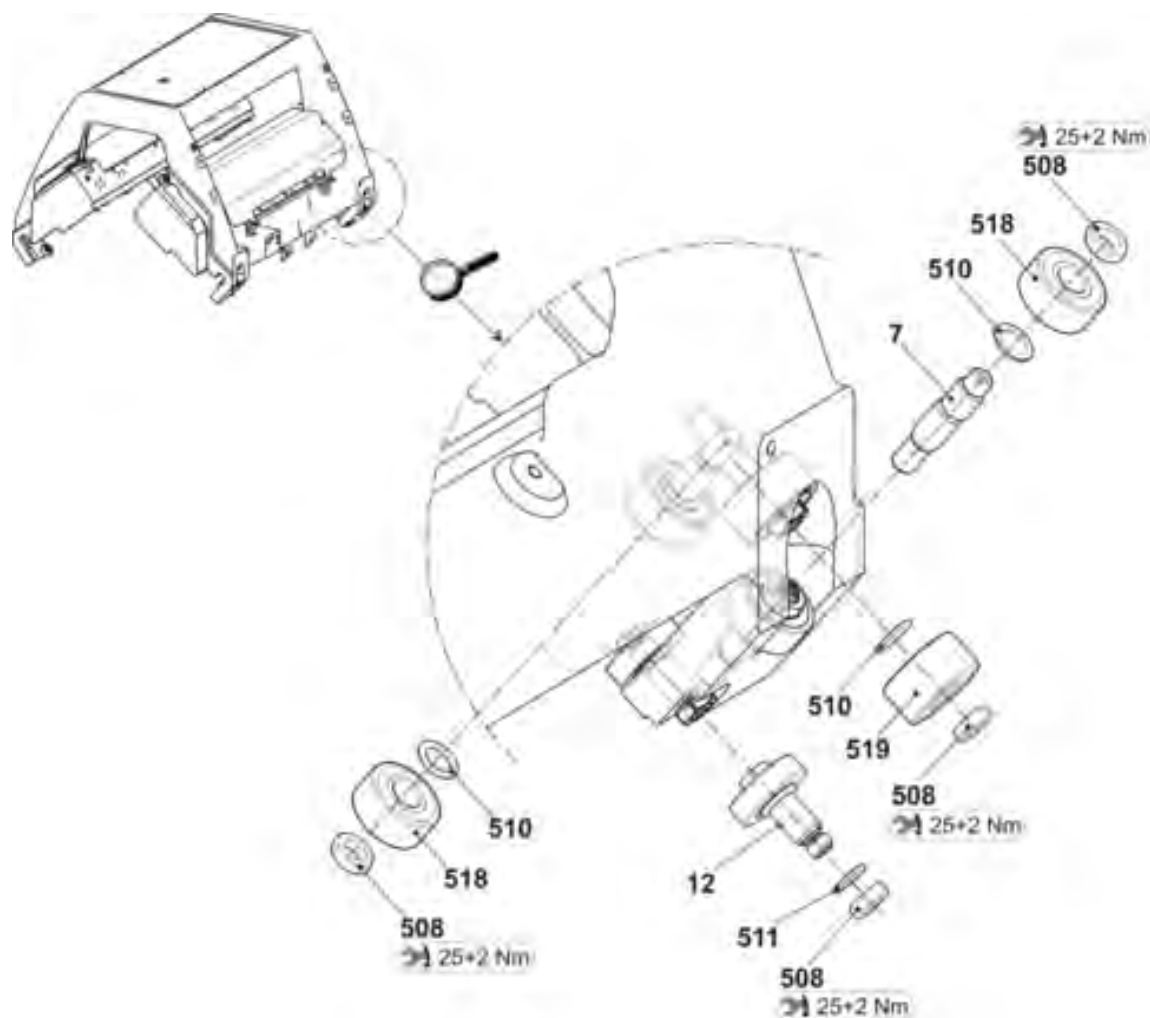
### 5.15 Carriage cover

Pos	Designation	Id	Pos	Designation	Id
1	Carriage cover at the top 3 cam boxes complete	257 100	10	Fixing bolt	242 382
	1a Carriage cover at the top 3 cam boxes	256 510	500	Hexagon nut M6	257 088
2	Carriage cover at the rear complete with 3 cam boxes	257 167	501	U-washer 6.1x9x0.5	023 554
	2a Carriage cover at the rear 3 cam boxes	256 768	502	Serrated lock washer 6.4	022 385
3	Carriage cover front 3 cam boxes	257 166	503	O-ring 3x2	242 420
	3a Carriage cover front 3 cam boxes	256 767	504	Compression spring 0.48x7.02x17.29	023 654



## 5.16 Carriage guide

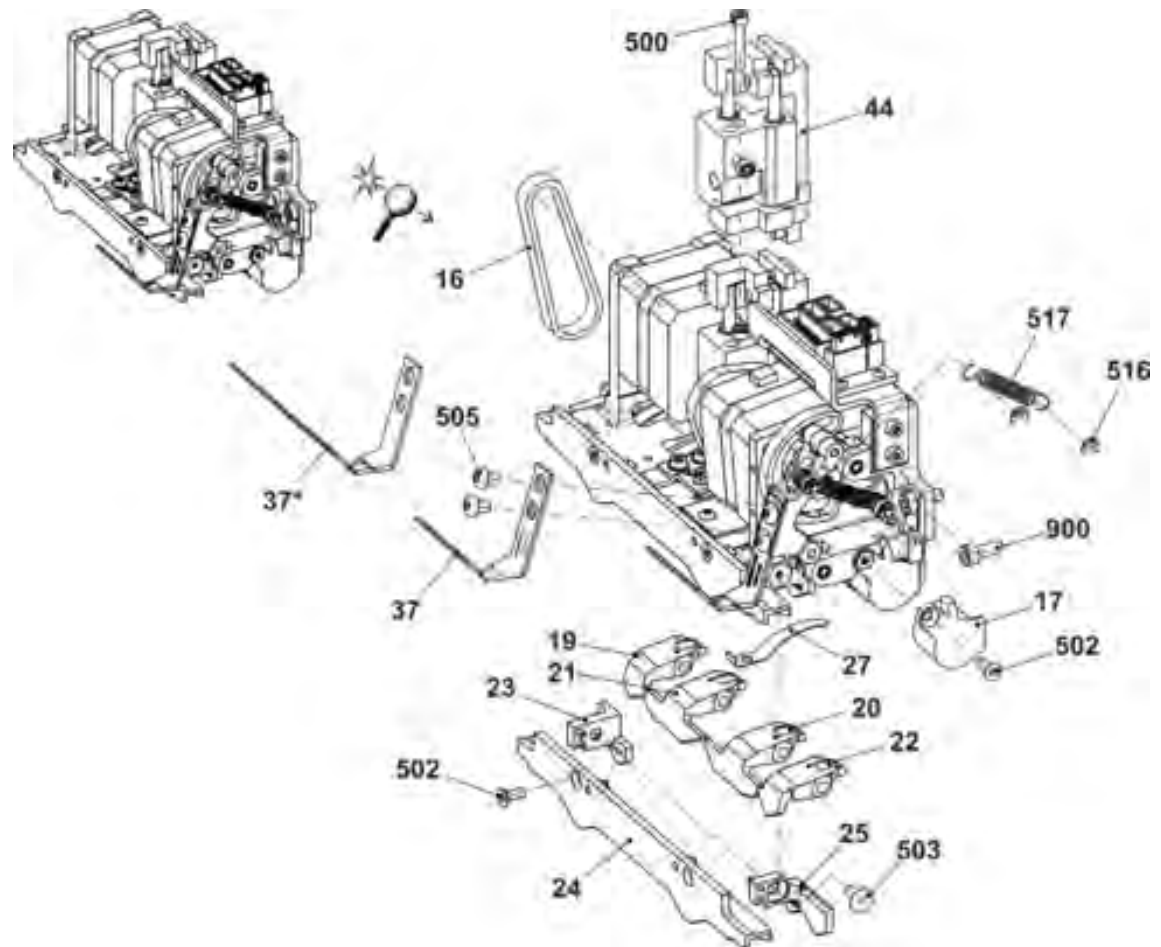
Pos	Designation	ID	Pos	Designation	ID
7	Bearing bolt eccentric 0,5	240 624	511	Shim ring 10x16x1	023 260
12	Bolt pre-assembled	244 283	518	Grooved ball bearing 62201-2RS	241 408
508	NutM10	023 316	519	Grooved ball bearing 62300-2RS1	242 070
510	Shim ring 12x18x1	023 315			



## 5.17 Control unit jack/presser foot on the left E9.2

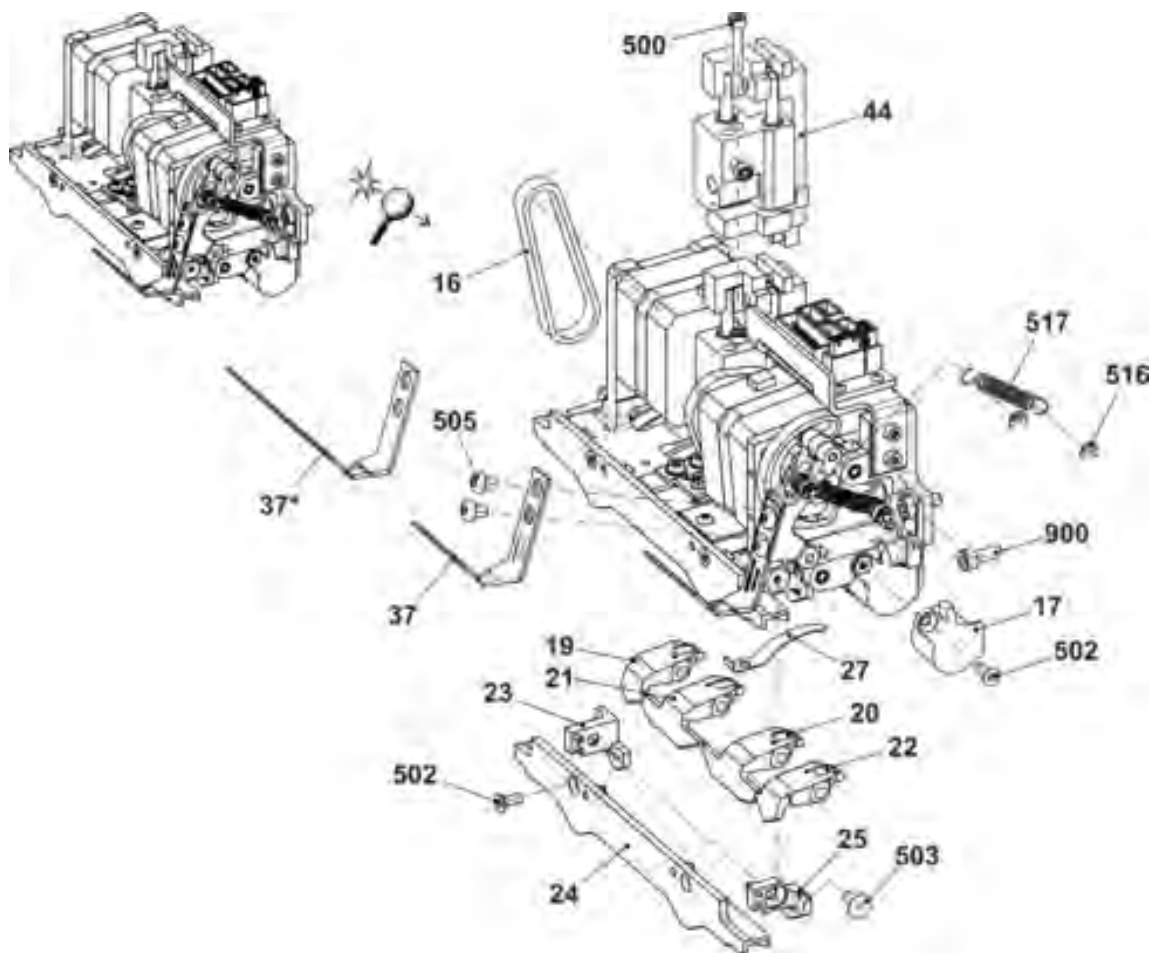
## 5.17 Control unit jack/presser foot on the left E9.2

Pos	Designation	Id	Pos	Designation	Id
Σ	Control unit jack/presser foot on the left E7.2	253 972			
16	Toothed belt	235 513	37	Presser foot E7.2-9.2	244 363
17	Cover	238 043	37*	Presser foot E7.2-9.2	240 720
19	Tilting lever knitting on the right E7.2	253 970	44	Guidance complete	242 265
20	Tilting lever transfer on the right E9.2	253 297	500	Cap screw M3x18	236 485
21	Tilting lever transfer on the left E7.2	253 296	502	Countersunk screw M3x8	241 912
22	Tilting lever knitting on the left E7.2	253 971	503	Countersunk screw M4x8	241 913
23	Slider on the right fixed at the inside E7.2	251 801	505	Countersunk screw M4x6	023 427
24	Slider in the middle fixed E7.2	253 293	516	Circlip	021 018
25	Slider on the left exterior E7.2	253 264	517	Tension spring 5.5x0.5x19.48	235 608
27	Leaf spring	235 502	900	Cap screw M4X10	023 136



## 5.18 Control unit jack/presser foot middle E9.2

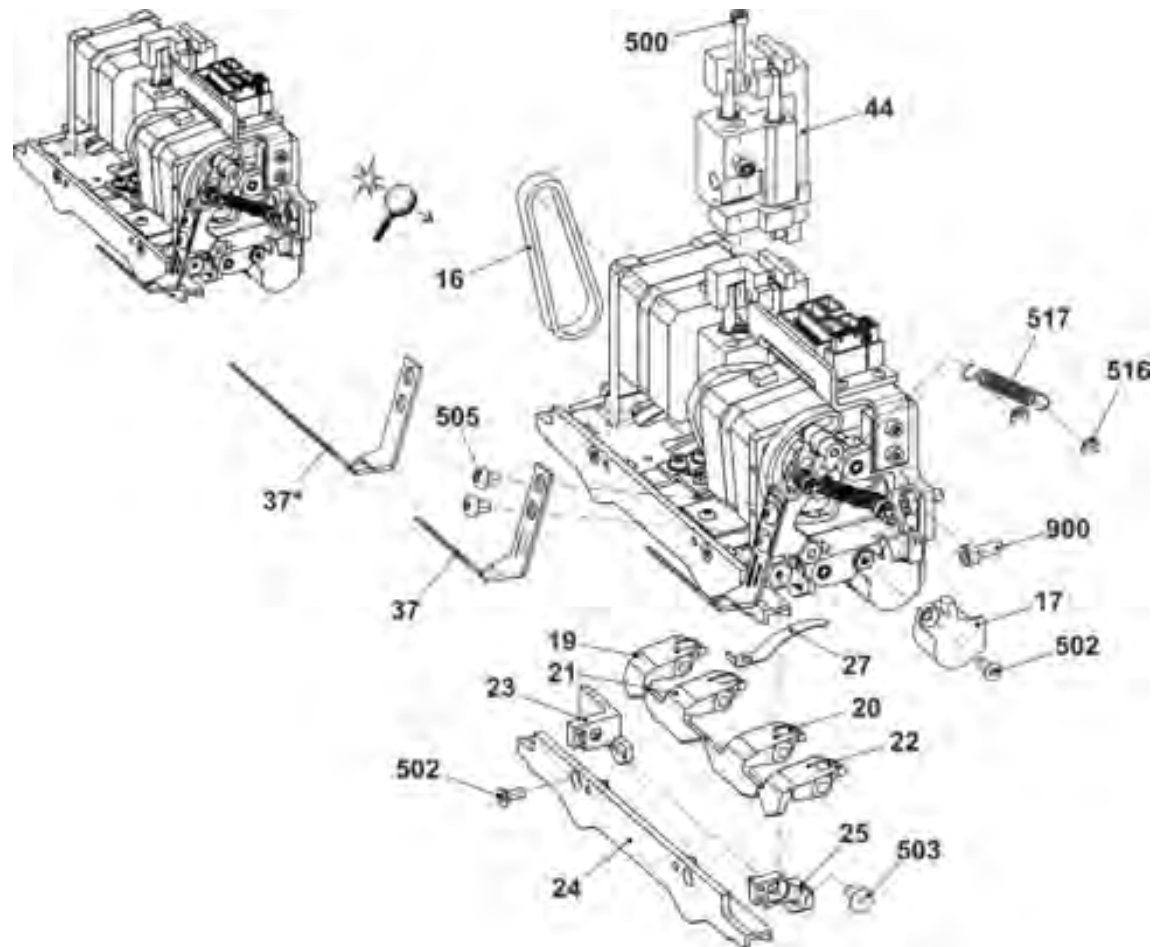
Pos	Designation	Id	Pos	Designation	Id
Σ	Control unit jack/presser foot in the middle E7.2	253 973			
16	Toothed belt	235 513	37	Presser foot E7.2-9.2	244 363
17	Cover	238 043	37*	Presser foot E7.2-9.2	240 720
19	Tilting lever knitting on the right E7.2	253 970	44	Guidance complete	242 265
20	Tilting lever transfer on the right E9.2	253 297	500	Cap screw M3x18	236 485
21	Tilting lever transfer on the left E7.2	253 296	502	Countersunk screw M3x8	241 912
22	Tilting lever knitting on the left E7.2	253 971	503	Countersunk screw M4x8	241 913
23	Slider on the right fixed at the inside E7.2	251 801	505	Countersunk screw M4x6	023 427
24	Slider in the middle fixed E7.2	253 293	516	Circlip	021 018
25	Slider on the left fixed at the inside E7.2	251 838	517	Tension spring 5.5x0.5x19.48	235 608
27	Leaf spring	235 502	900	Cap screw M4X10	023 136



## 5.19 Control unit jack/presser foot on the right E9.2

## 5.19 Control unit jack/presser foot on the right E9.2

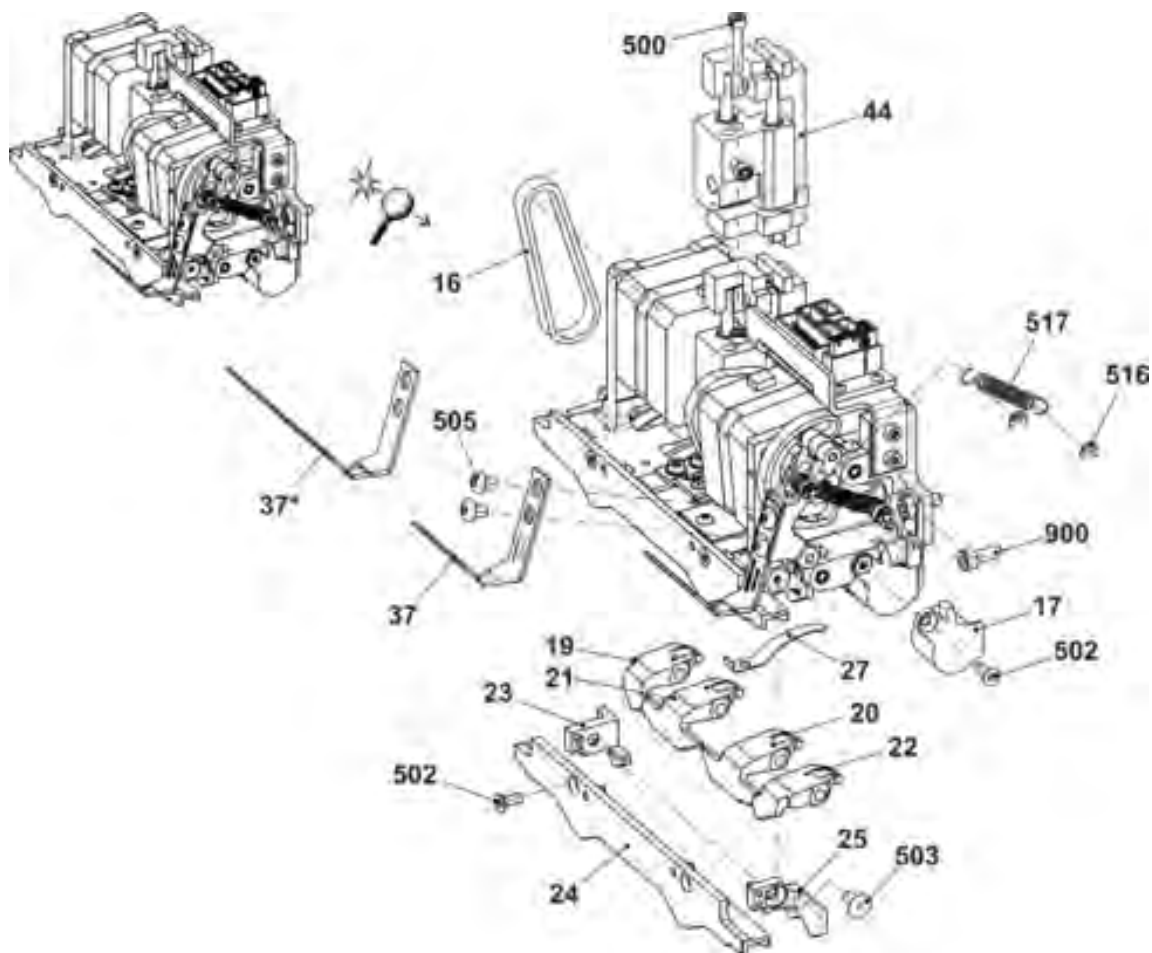
Pos	Designation	Id	Pos	Designation	Id
Σ	Control unit jack/presser foot on the right E7.2	253 974			
16	Toothed belt	235 513	37	Presser foot E7.2-9.2	244 363
17	Cover	238 043	37*	Presser foot E7.2-9.2	240 720
19	Tilting lever knitting on the right E7.2	253 970	44	Guidance complete	242 265
20	Tilting lever transfer on the right E9.2	253 297	500	Cap screw M3x18	236 485
21	Tilting lever transfer on the left E7.2	253 296	502	Countersunk screw M3x8	241 912
22	Tilting lever knitting on the left E7.2	253 971	503	Countersunk screw M4x8	241 913
23	Slider on the right exterior E7.2	253 263	505	Countersunk screw M4x6	023 427
24	Slider in the middle fixed E7.2	253 293	516	Circlip	021 018
25	Slider on the left fixed at the inside E7.2	251 838	517	Tension spring 5.5x0.5x19.48	235 608
27	Leaf spring	235 502	900	Cap screw M4X10	023 136





## 5.20 Control unit jack/presser foot on the left E9.2

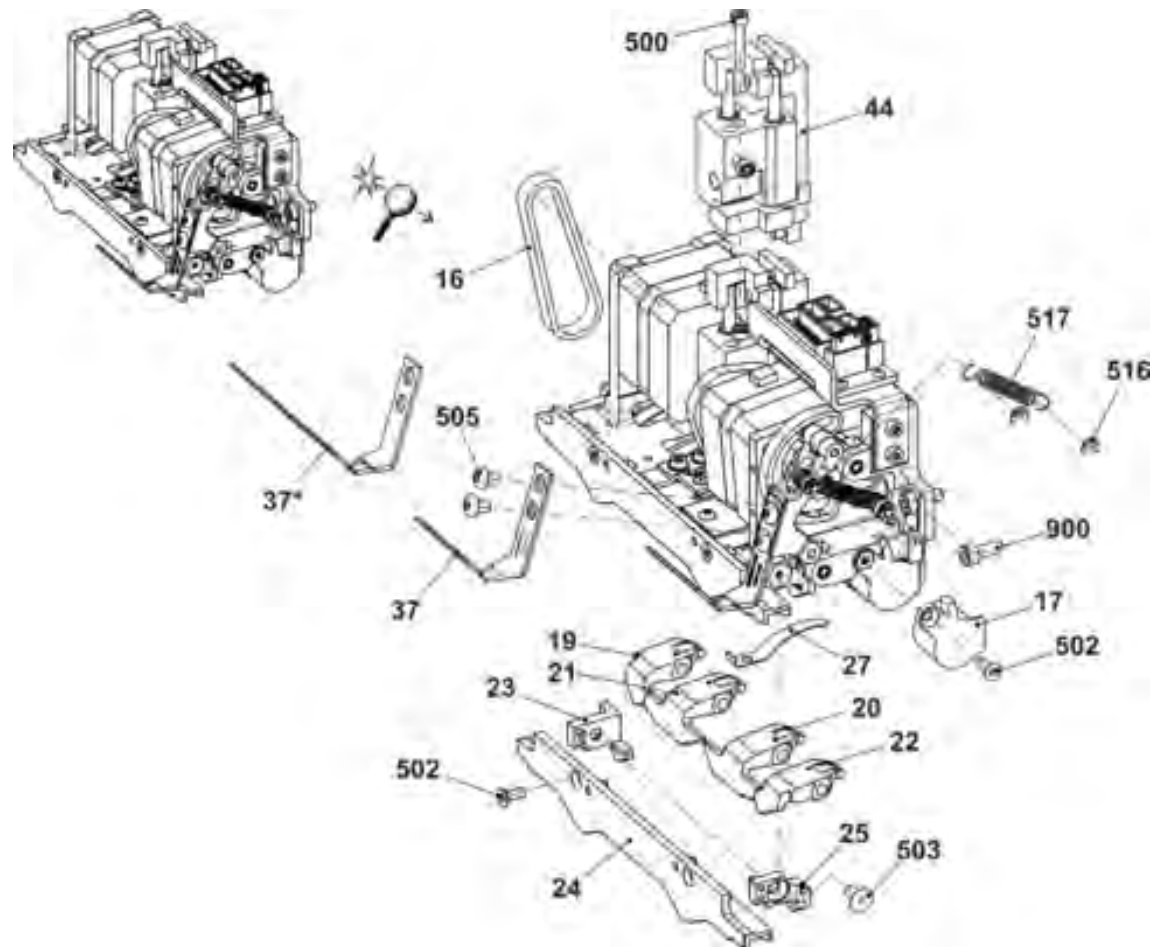
Pos	Designation	Id	Pos	Designation	Id
Σ	Control unit jack/presser foot on the left PL/ES E9.2	254 242			
16	Toothed belt	235 513	37	Presser foot E7.2-9.2	244 363
17	Cover	238 043	37*	Presser foot E7.2-9.2	240 720
19	Tilting lever knitting on the right E9.2	253 283	44	Guidance complete	242 265
20	Tilting lever transfer on the right E9.2	253 292	500	Cap screw M3x18	236 485
21	Tilting lever transfer on the left E9.2	253 290	502	Countersunk screw M3x8	241 912
22	Tilting lever knitting on the left E9.2	253 282	503	Countersunk screw M4x8	241 913
23	Slider on the right fixed at the inside E9.2	251 027	505	Countersunk screw M4x6	023 427
24	Slider in the middle fixed E9.2	253 284	516	Circlip	021 018
25	Slider on the left at the outside E9.2	252 752	517	Tension spring 5.5x0.5x19.48	235 608
27	Leaf spring	235 502	900	Cap screw M4X10	023 136



## 5.21 Control unit jack/presser foot in the middle E9.2

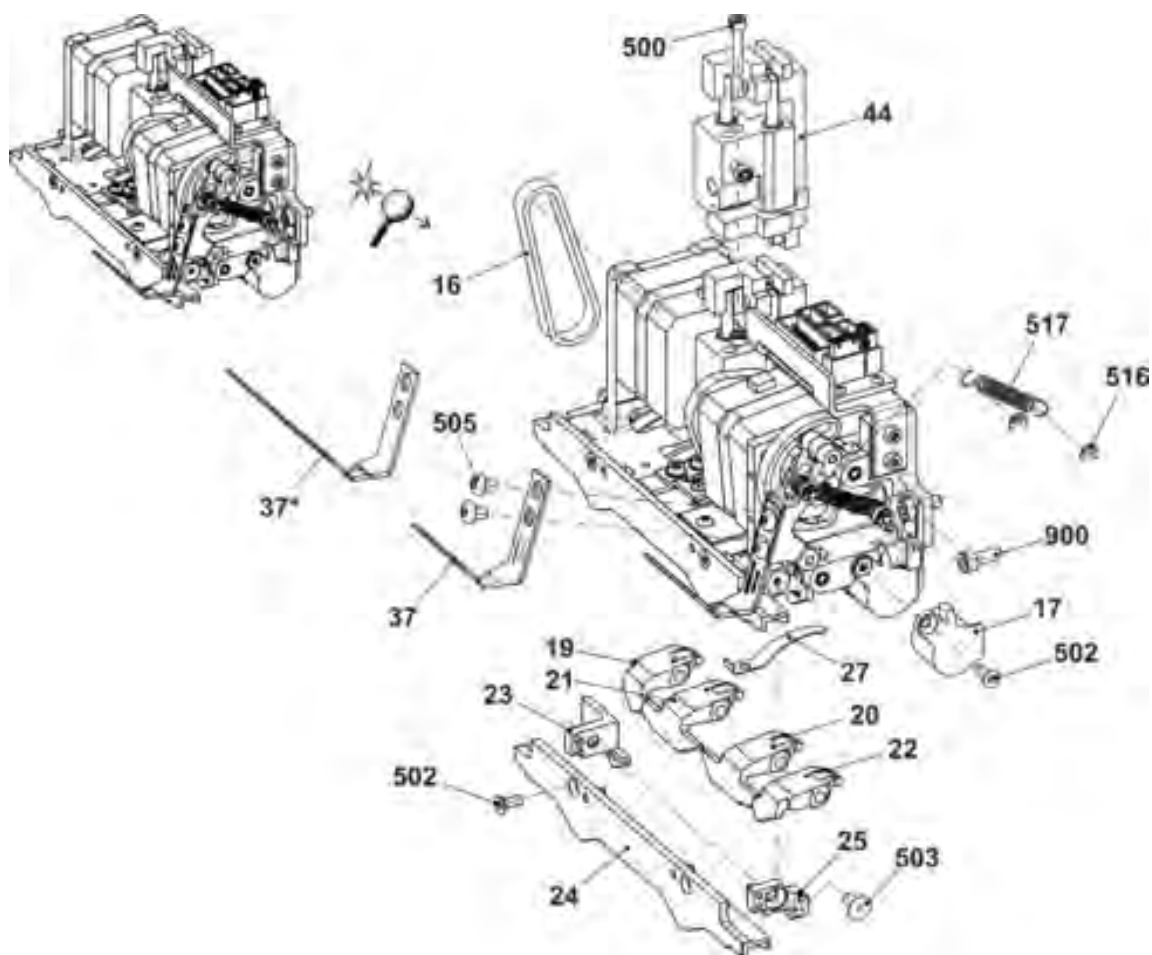
## 5.21 Control unit jack/presser foot in the middle E9.2

Pos	Designation	Id	Pos	Designation	Id
Σ	Control unit jack/presser foot in the middle E7.2 PL/ES E9.2	254 243			
16	Toothed belt	235 513	37	Presser foot E7.2-9.2	244 363
17	Cover	238 043	37*	Presser foot E7.2-9.2	240 720
19	Tilting lever knitting on the right E9.2	253 283	44	Guidance complete	242 265
20	Tilting lever transfer on the right E9.2	253 292	500	Cap screw M3x18	236 485
21	Tilting lever transfer on the left E9.2	253 290	502	Countersunk screw M3x8	241 912
22	Tilting lever knitting on the left E9.2	253 282	503	Countersunk screw M4x8	241 913
23	Slider on the right fixed at the inside E9.2	251 027	505	Countersunk screw M4x6	023 427
24	Slider in the middle fixed E9.2	253 284	516	Circlip	021 018
25	Slider on the left fixed at the inside E9.2	251 028	517	Tension spring 5.5x0.5x19.48	235 608
27	Leaf spring	235 502	900	Cap screw M4X10	023 136



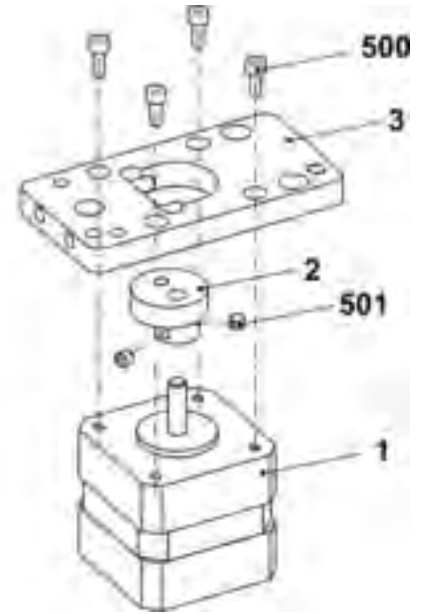
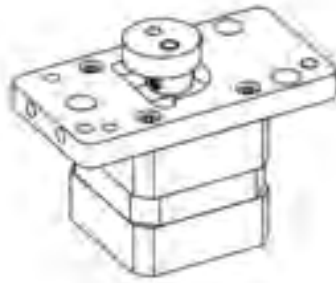
## 5.22 Control unit jack/presser foot on the right E9.2

Pos	Designation	Id	Pos	Designation	Id
Σ	Control unit jack/presser foot on the right PL/ES E9.2	254 244			
16	Toothed belt	235 513	37	Presser foot E7.2-9.2	244 363
17	Cover	238 043	37*	Presser foot E7.2-9.2	240 720
19	Tilting lever knitting on the right E9.2	253 283	44	Guidance complete	242 265
20	Tilting lever transfer on the right E9.2	253 292	500	Cap screw M3x18	236 485
21	Tilting lever transfer on the left E9.2	253 290	502	Countersunk screw M3x8	241 912
22	Tilting lever knitting on the left E9.2	253 282	503	Countersunk screw M4x8	241 913
23	Slider on the right at the outside E9.2	252 751	505	Countersunk screw M4x6	023 427
24	Slider in the middle fixed E9.2	253 284	516	Circlip	021 018
25	Slider on the left fixed at the inside E9.2	251 028	517	Tension spring 5.5x0.5x19.48	235 608
27	Leaf spring	235 502	900	Cap screw M4X10	023 136



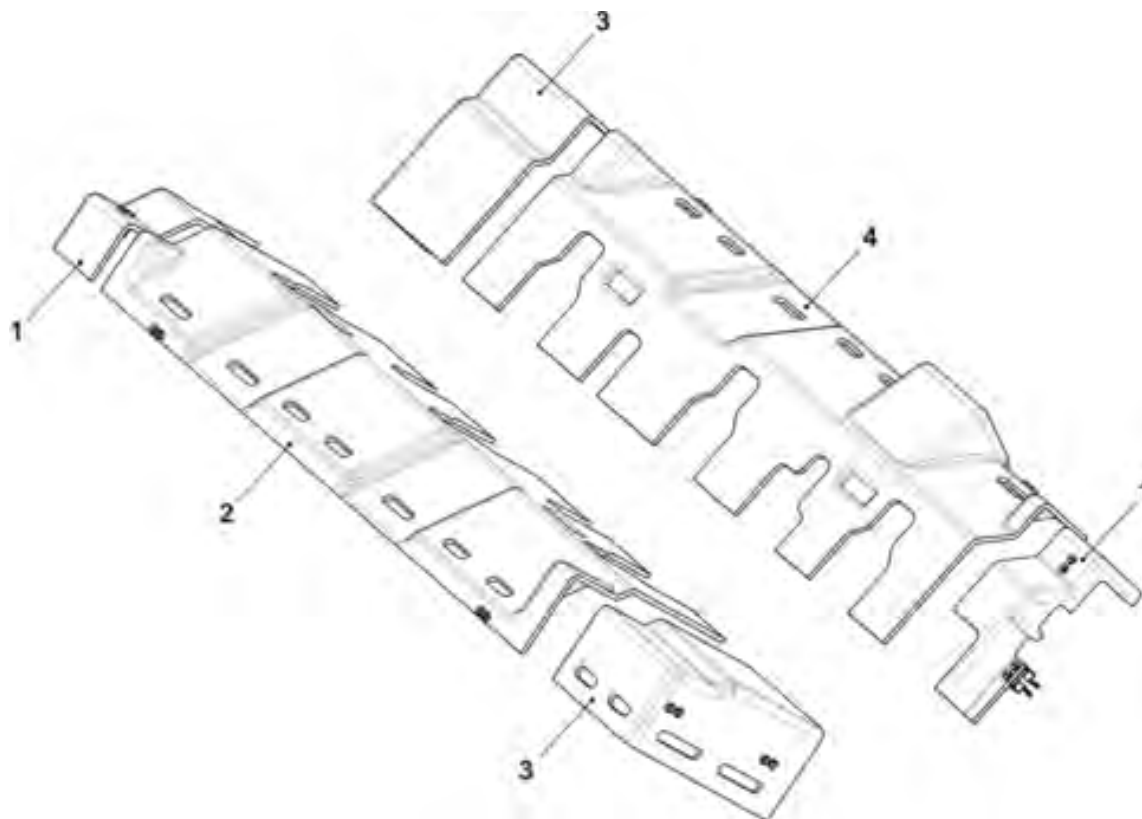
## 5.23 Control unit brush

Pos	Designation	Id	Pos	Designation	Id
Σ	Control unit brush	236 102	3	Motor plate	235 646
1	Step motor brushes	236 896	500	Cap screw M3x8	022 582
2	Eccentric	235 395	501	Setscrew M4x4	022 875



## 5.24 Covers

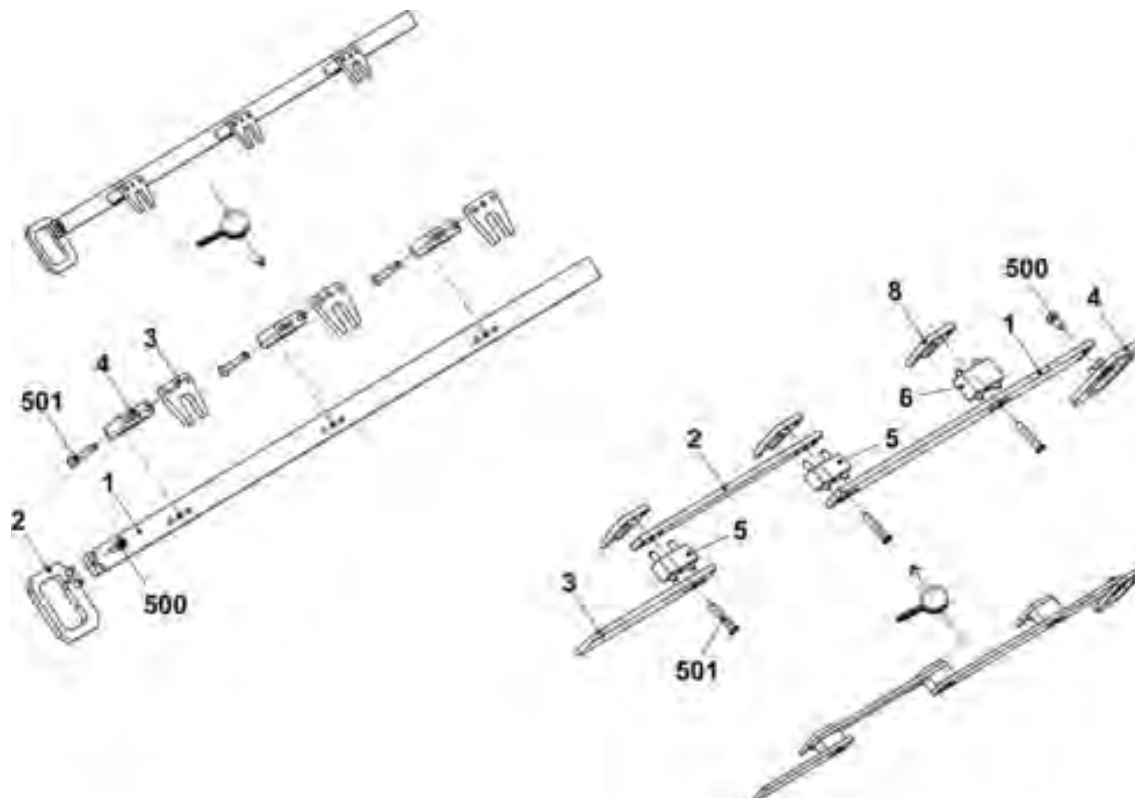
Pos	Designation	Id	Pos	Designation	Id
1	Cover on the right	237 827	3	Cover on the left	237 825
2	Carriage cover in the middle at the front	237 826	4	Cover display in the middle at the back	243 054



## 5.25 Sliding rods

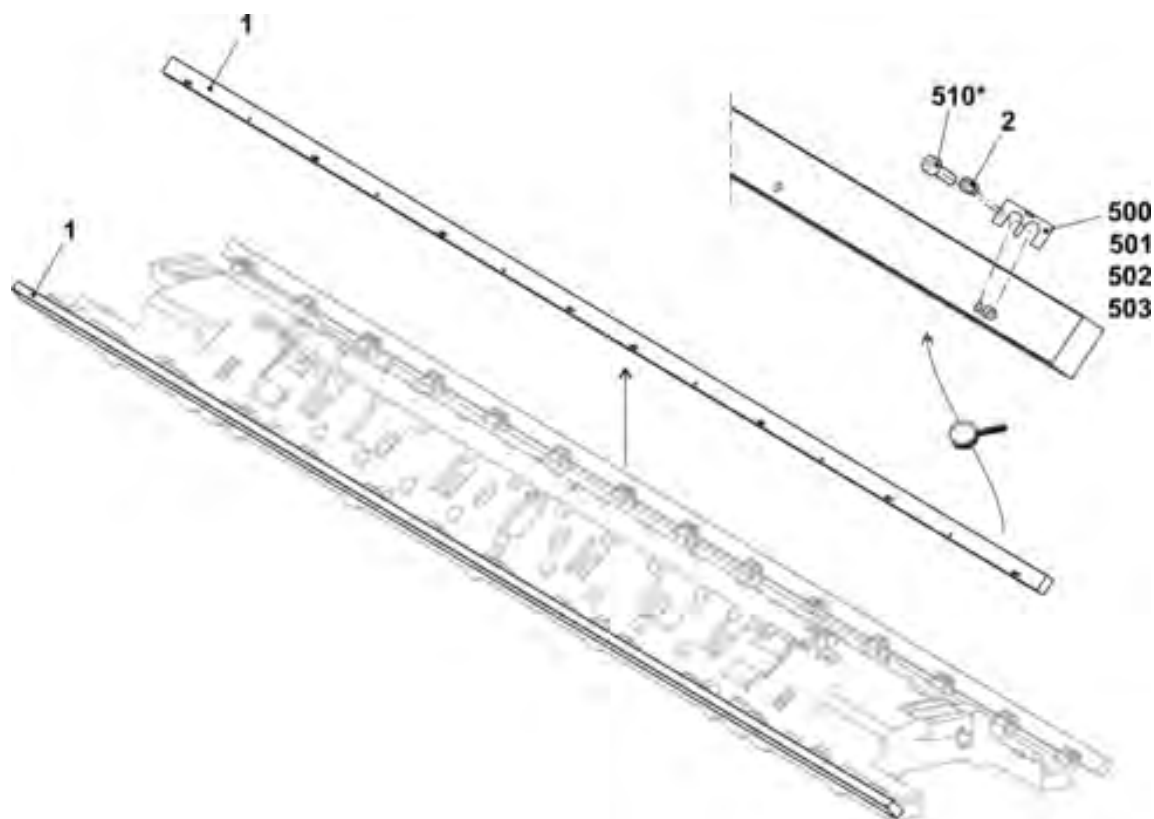
## 5.25 Sliding rods

Pos	Designation	Id		Pos	Designation	Id
Σ	Sliding rod complete (at the front)	236 101		Σ	Sliding rod complete (at the rear)	242 046
1	Driving rod	237 830		1	Sliding rod on the left	242 036
2	Control plate	235 396		2	Sliding rod in the middle	242 037
3	Brush driver	237 432		3	Sliding rod on the right	242 038
4	Intermediate piece	237 433		4	Control plate	235 396
500	Cap screw M3X6	022 589		5	Intermediate piece	242 809
501	Countersunk screw M3x18	242 728		6	Intermediate piece	237 433
				8	Brush driver	237 432
				500	Cap screw M3X6	022 589
				501	Countersunk screw M3x18	242 728



## 5.26 Spare parts package carriage guide rail

Pos	Designation	ID	Pos	Designation	ID
Σ	Spare parts package carriage guide rail 84"	252 993	501	Shim 0,05x22x42	243 291
1	Carriage guide rail	242 486	502	Shim 0,10x22x42	243 292
2	Adjusting eccentric	241 219	503	Shim 0,20x22x42	243 293
500	Shim 0,03x22x42	243 289	510*	Cap screw M8x20	020 141

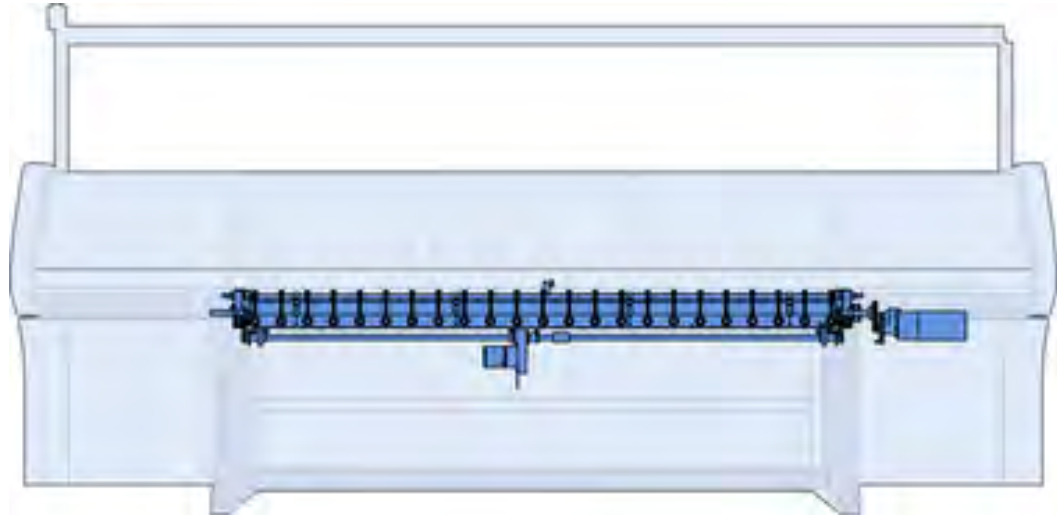


5.26 Spare parts package carriage guide rail

Notes:

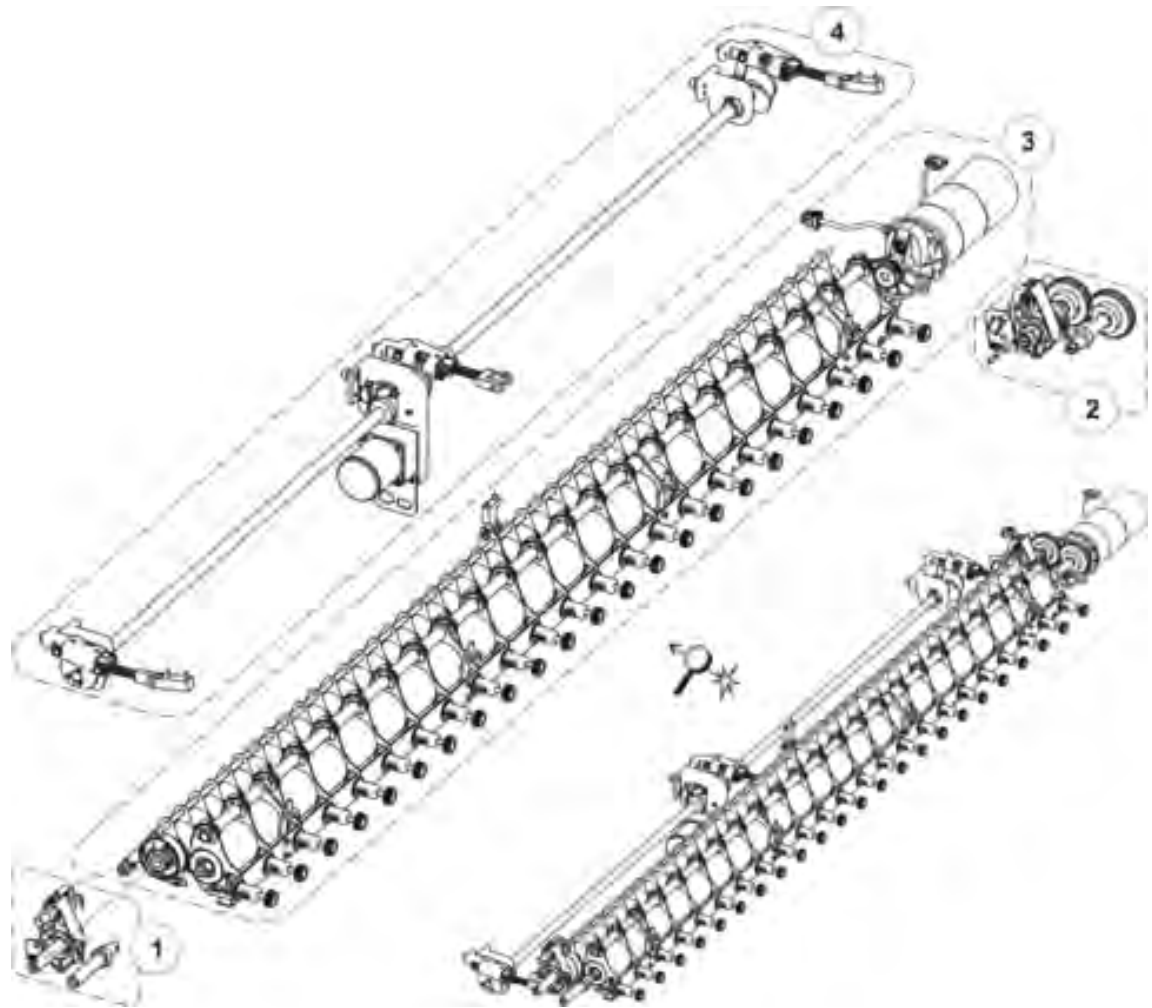


## 6 Main take-down



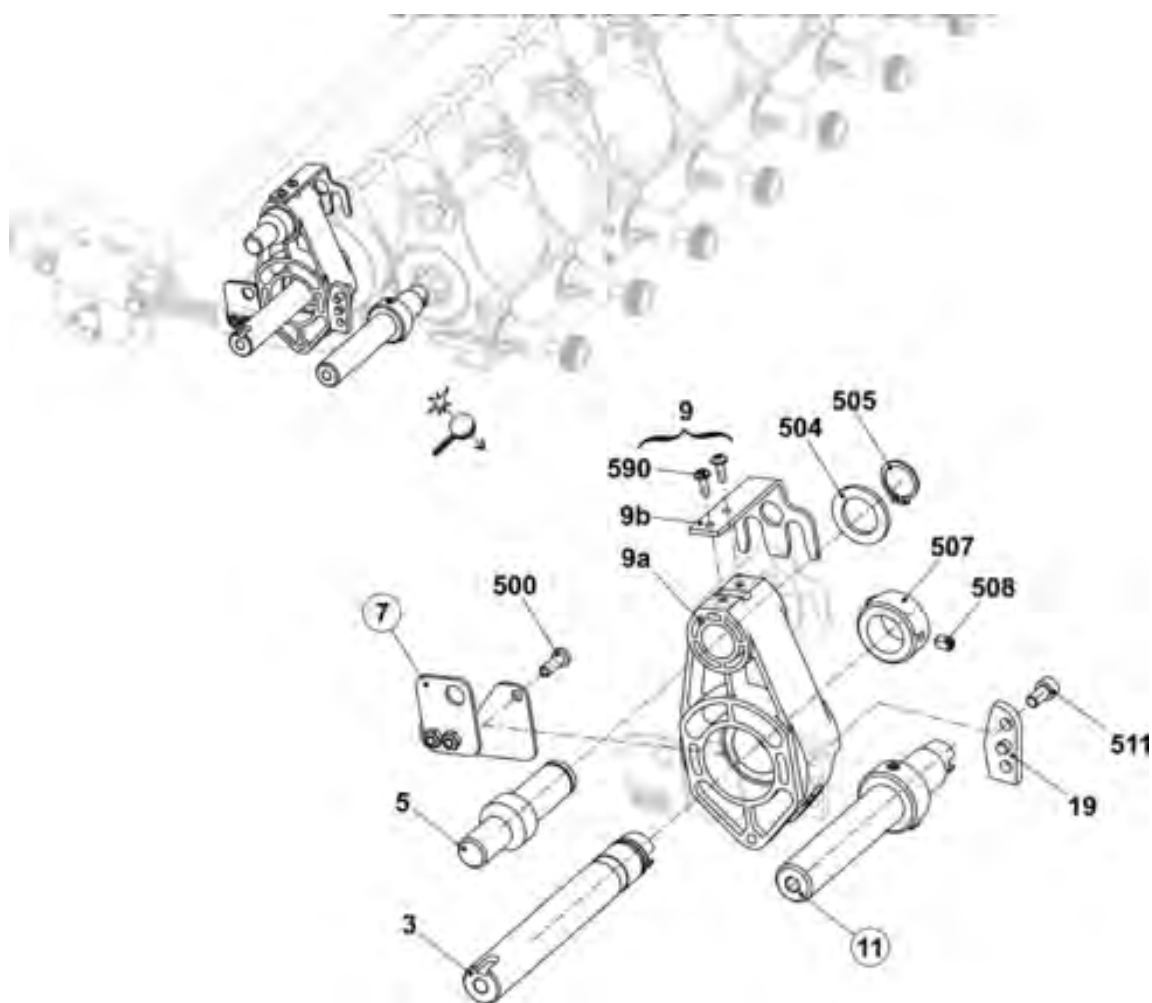
## 6.1 Main take-down

Pos	Designation	ID	Pos	Designation	ID
Σ	Main take-down				
1	Main take-down on the left	255 257	3	Main take-down in the middle E2,5.2	255 249
2	Main take-down on the right	255 258	4	Main take-down on / off complete 84"	253 387



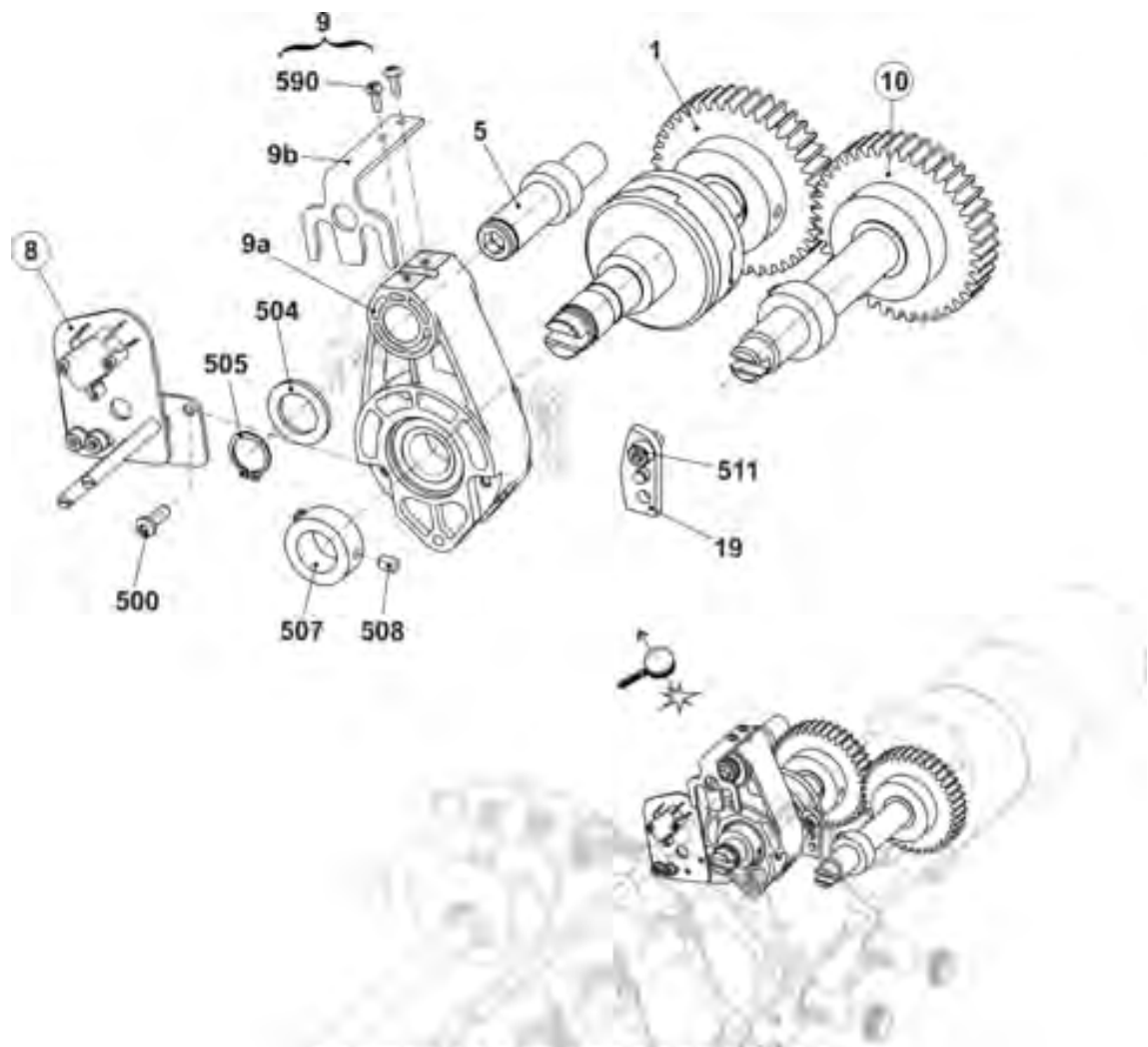
## 6.2 Main take-down on the left

Pos	Designation	ID	Pos	Designation	ID	
Σ	Main take-down on the left	255 257	11	Full floating axle on the left	237 354	
3	Shaft on the left at the rear	255 305	19	Stop point	252 503	
5	Bolts	208 538	500	Screw 50x15	251 728	
7	Mounting plate on the left complete	231 725	504	Washer18	023 295	
9	Swivel-mounted bearing	253 247	505	Locking ring18x1,2	020 955	
	9a	Swivel-mounted bearing	253 200	507	Set collar	020 938
	9b	Sheet metal support	253 212	508	Setscrew	022 684
	590	Screw 35x10	251 729	511	Cap screw M6x12	020 134



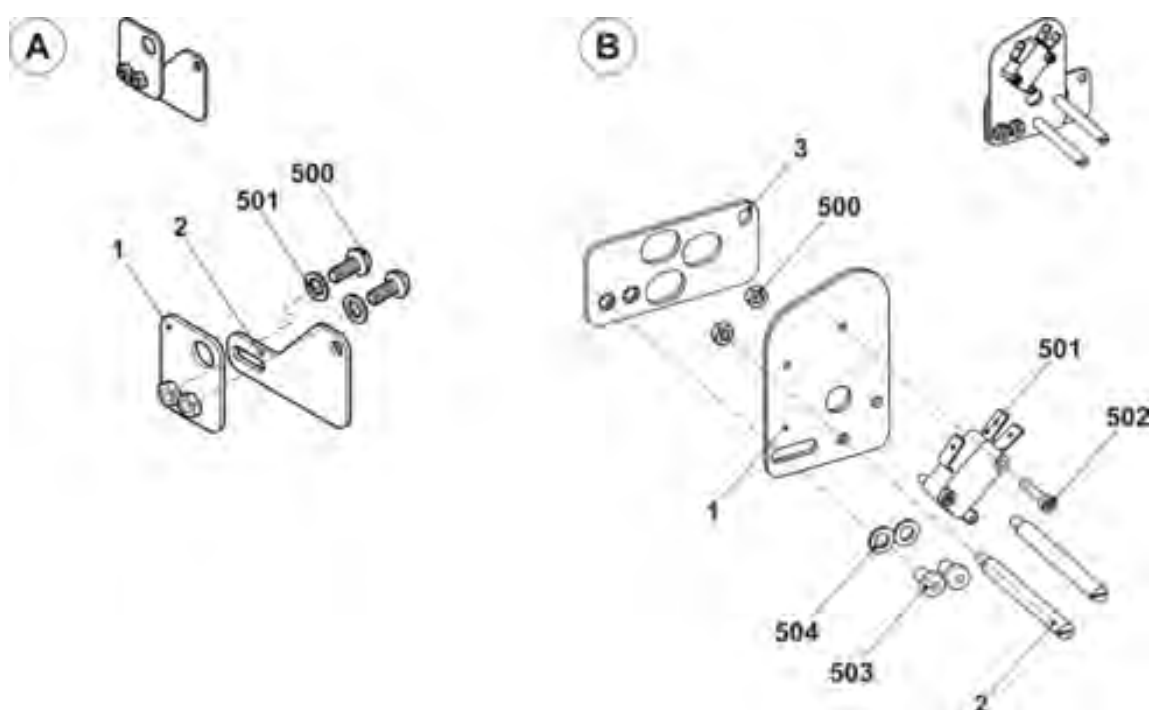
## 6.3 Main take-down on the right

Pos	Designation	ID	Pos	Designation	ID	
Σ	Main take-down on the right	255 258	10	Full floating axle on the right	237 353	
1	Clutch set	253 260	19	Stop point	252 503	
5	Bolts	208 538	500	Screw 50x15	251 728	
8	Mounting plate on the right complete	260 090	504	Washer18	023 295	
9	Swivel-mounted bearing	253 247	505	Locking ring18x1,2	020 955	
	9a	Swivel-mounted bearing	253 200	507	Set collarA20	020 938
	9b	Sheet metal support	253 212	508	Setscrew M6x8	022 684
	590	Screw 35x10	251 729	511	Cap screw M6x12	020 134



### 6.3.1 Mounting plate

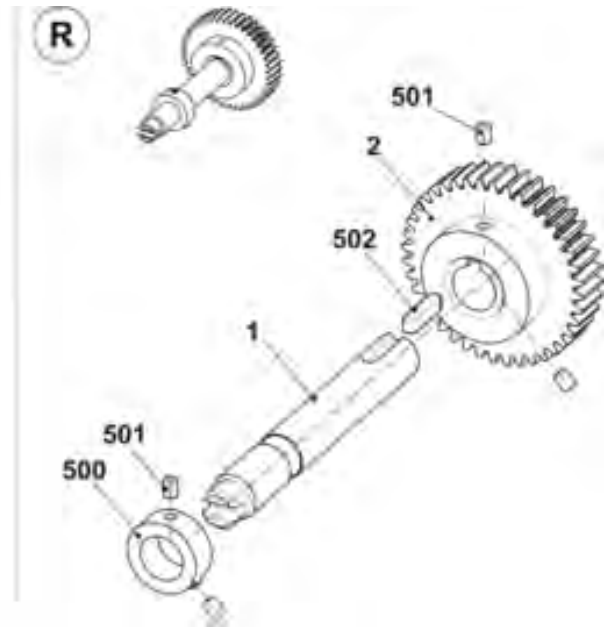
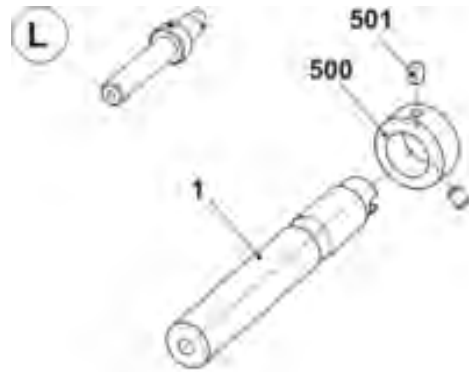
Pos	Designation	ID		Pos	Designation	ID
Σ L	Mounting plate on the left complete	231 725		Σ R	Mounting plate on the right complete	260 090
1	Mounting plate on the left	231 541		1	Mounting plate on the right	260 067
2	Retaining plate on the left	231 539		2	Shoulder screw	240 067
500	Pan-head screw M5x10	023 247		3	Retaining plate on the right	240 066
501	Serrated lock washer J5,3	022 489		500	Hexagon nut M4-6	022 536
				501	Microswitch	026 259
				502	Cap screw M3x16	022 583
				503	Cap screw M5x8	244 278
				504	Washer5-200	020 871



6.3 Main take-down on the right

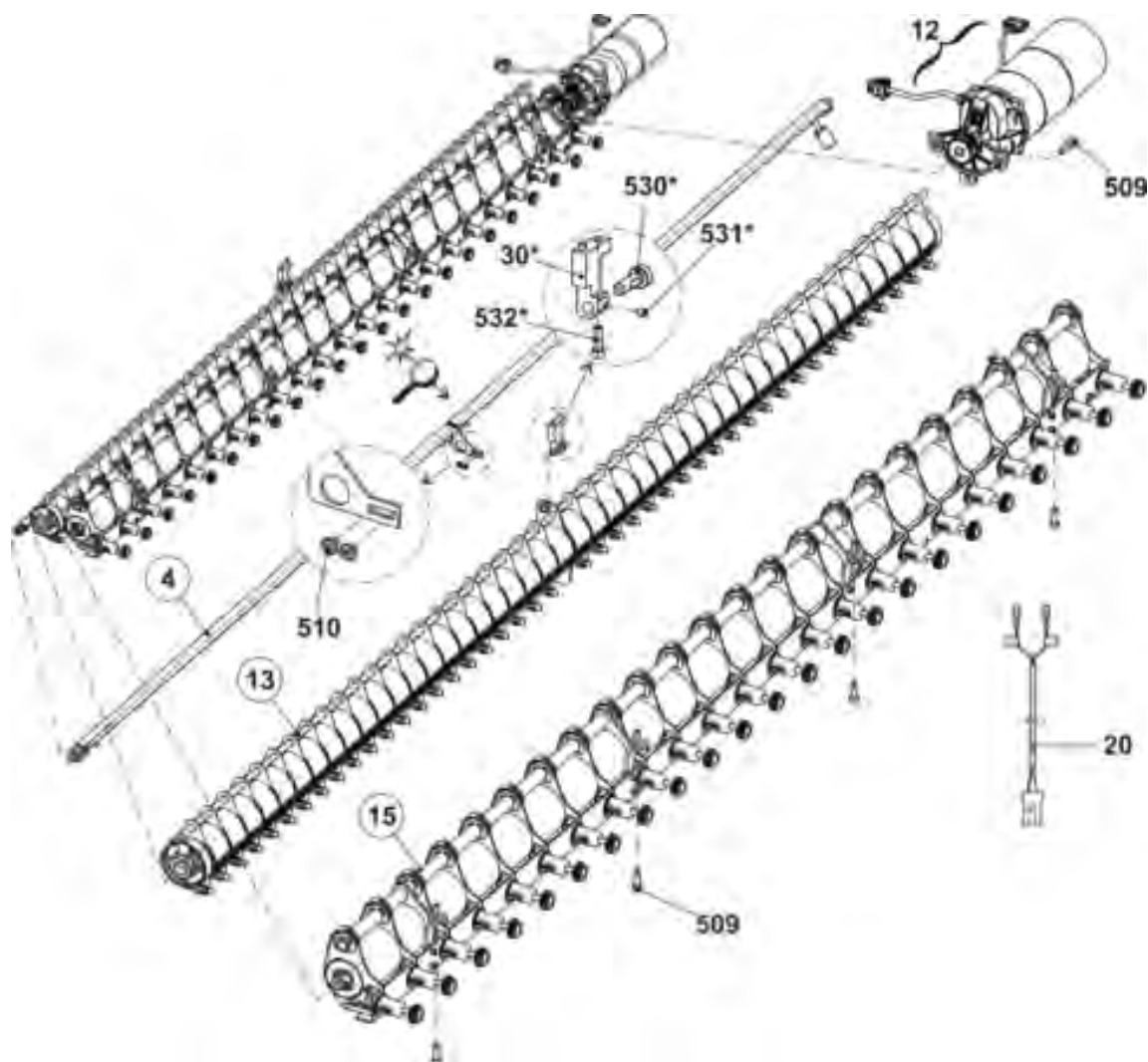
6.3.2 Full floating axle

Pos	Designation	ID		Pos	Designation	ID
Σ L	Full floating axle on the left	237 354		Σ R	Full floating axle on the right	237 353
1	Shaft on the left at the front	237 334		1	Shaft on the right in front	237 340
500	Set collar	020 938		2	Gear wheel Z=40, M=2	213 744
501	SetscrewM6x8	022 684		500	Set collar	020 938
				501	SetscrewM6x8	022 684
				502	Feather key A 6x6x25	023 017



## 6.4 Main take-down in the middle

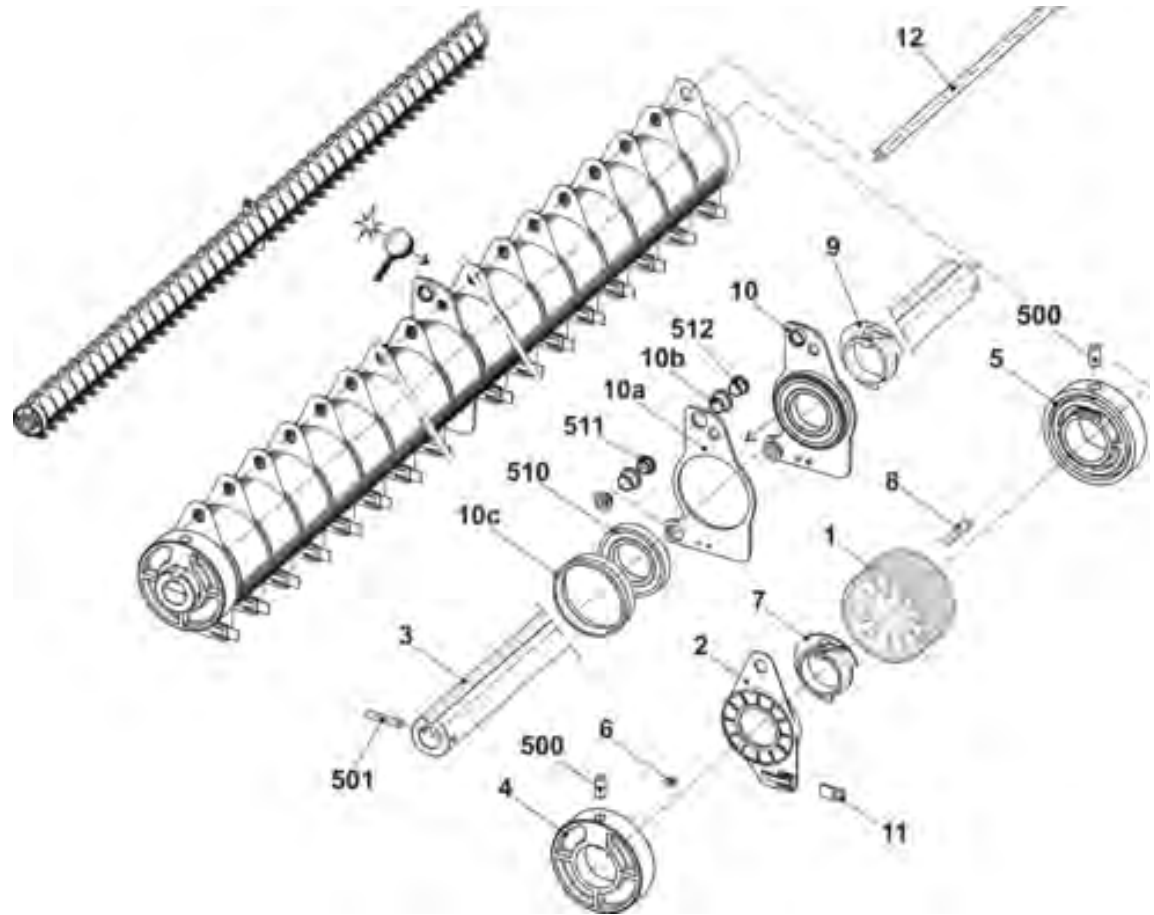
Pos	Designation	ID	Pos	Designation	ID
Σ	Main take-down in the middle E5-14	255 249	509	Cap screw M8x25	020 142
4	Stripper angle at the rear complete	259 987	510	Pan-head screw M4x6	235 450
12	Motor take-down unit complete	253 803	30*	Bearing block	237 204
13	Take-down roller at the rear complete E3-14	243 810	530*	Bolts	237 211
15	Take-down roller at the front complete	253 390	531*	Setscrew M6x8	023 723
20	Connection cable winding plate	241 703	532*	Cap screw M8x20	020 136



## 6.4 Main take-down in the middle

## 6.4.1 Rear take-down roller

Pos	Designation	ID	Pos	Designation	ID
Σ	Take-down roller at the rear complete E3-14	243 810			
1	Roller	206 770	10b	Bearing	232 571
2	Stripper	241 612	10c	Ring	222 895
3	Wave	237 190	9	Stop ring on the left	222 910
4	Ring on the left	255 830	11	Brush	225 819
5	Ring on the right	255 831	12	Rod	237 192
6	Spacer slide	222 062	500	Setscrew	258 910
7	Stop ring on the left	204 369	501	Dowel pin 6x32	020 685
8	Spacer slide	240 104	510	Grooved ball bearing 16007	021 697
10	Support	232 578	511	Slide bearing GFM-101216-06	023 280
10a	Supporting plate	232 512	512	Slide bearing GFM-101216-09	023 356





### 6.4.2 Front take-down roller

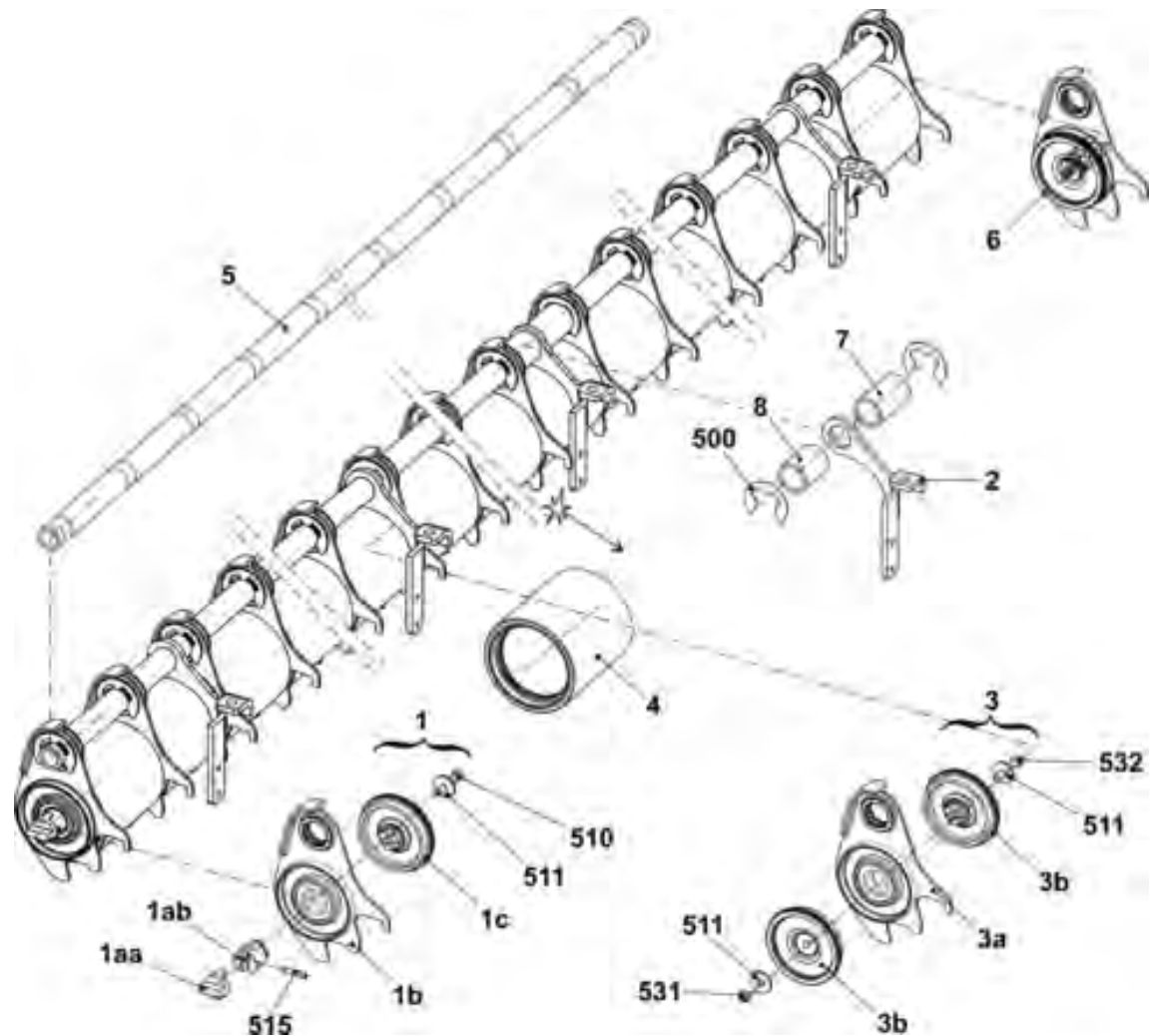
Pos	Designation	Id		Pos	Designation	Id
Σ	Take-down roller at the front complete	253 390		4	Locating piece	221 935
1	Take-down roller at the front	253 423		500	Compression spring 1x10x30	023 741
2	Angle rail complete	242 316		501	Cap screw M5x12	020 132
3	Pressure sleeve	220 911		502	Washer 5-200	020 880



6.4 Main take-down in the middle

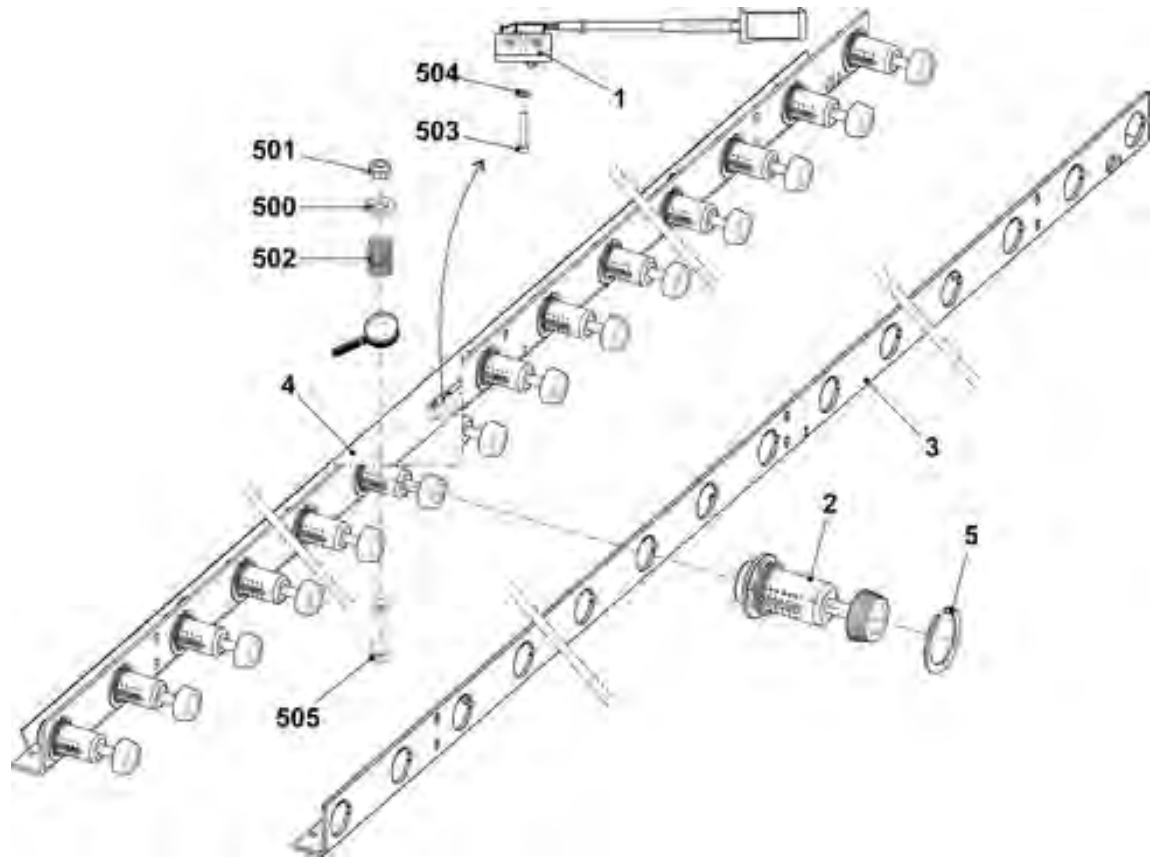
6.4.2.1 Front roller elements

Pos	Designation	ID	Pos	Designation	ID		
Σ	Take-down roller at the front	253 423	4	Roller	220 905		
1	Bearing support on the left complete	221 225	5	Tube	237 191		
	1aa	adaptor	221 132	6	Bearing support on the right complete	221 240	
	1ab	Universal joint	221 137		1aa	Universal joint	221 137
	1b	Bearing support	220 913		1ab	adaptor	221 132
	1c	Gear wheel	220 910		1b	Bearing support	220 913
	510	Cap screwM5x20	020 133		1c	Gear wheel	220 910
	511	Washer5	023 542		510	Cap screwM5x20	020 133
	515	Spring dowel sleeve 4x20	023 551		511	Washer5	023 542
			515		Spring dowel sleeve 4x20	023 551	
2	Support	251 557	7	Spacer pipe on the right	253 407		
3	Bearing support complete	221 241	8	Spacer pipe on the left	253 408		
	3a	Bearing support	220 913	500	Circlip	021 025	
	3b	Gear wheel	220 910				
	531	Hexagon nut M5-8	023 541				
	532	Cap screwM5x30	022 396				



6.4.2.2 Pressure angle rail

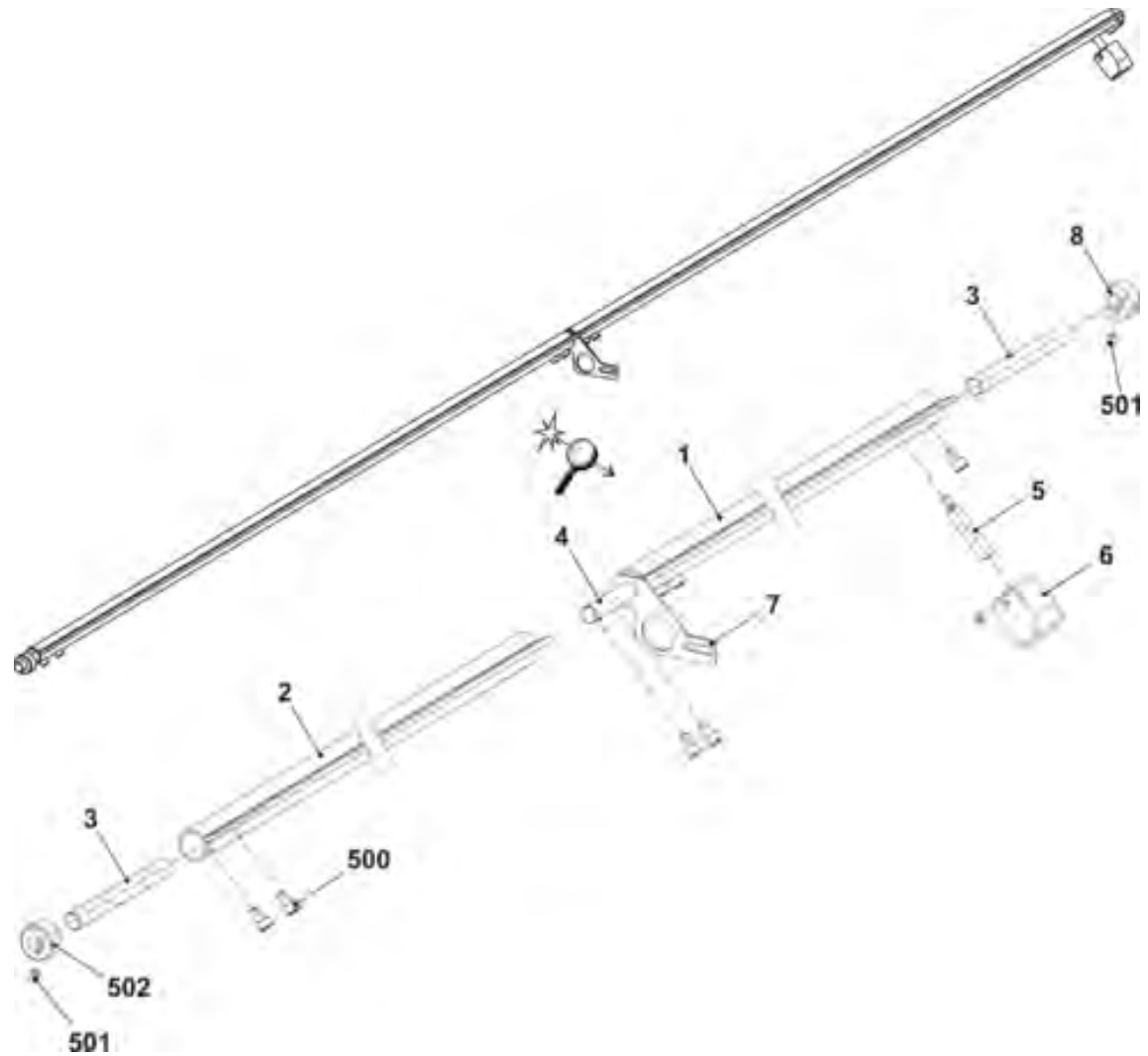
Pos	Designation	ID	Pos	Designation	ID
Σ	Angle rail complete	242 316	500	Washer6	022 431
1	Switch complete with cable	221 265	501	Hexagon nut M5-8	023 541
2	Spring flange	242 327	502	Compression spring 0,8x9,2x27,5	023 537
3	Angle rail	242 277	503	Cap screwM2x12	023 522
4	Winding plate	237 195	504	Washer2-200	022 908
5	Locking ring	242 325	505	Shoulder screw M5x20x5	023 675



## 6.4 Main take-down in the middle

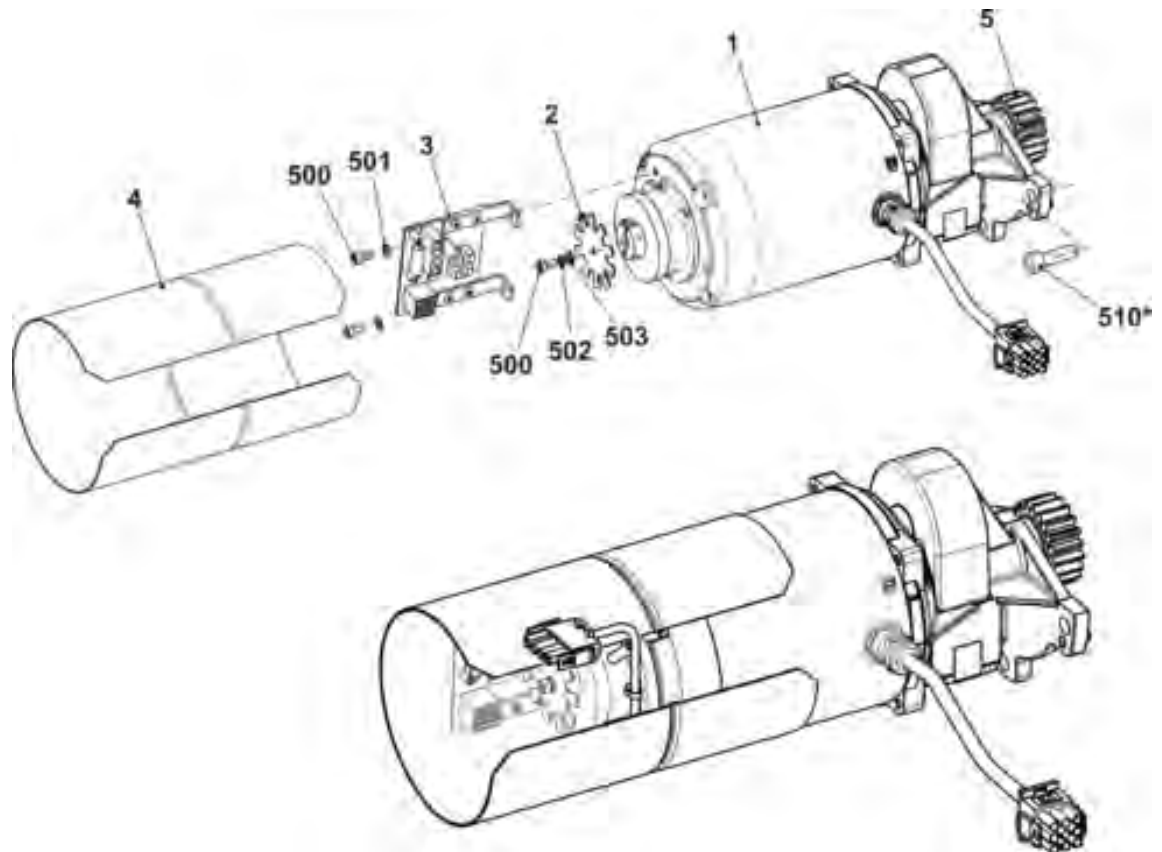
## 6.4.3 Stripper angle

Pos	Designation	Id		Pos	Designation	Id
Σ	Stripper angle at the rear complete	259 987		6	Adjustment weight	260 426
1	Stripper angle on the right	259 976		7	Bracket	260 060
2	Stripper angle on the left	259 977		8	Cam	260 109
3	Axle	259 969		500	Cap screw M5x8	023 319
4	Axle	259 970		501	Setscrew M5x6	022 738
5	Bolts	228 310		502	Set collar	020 934



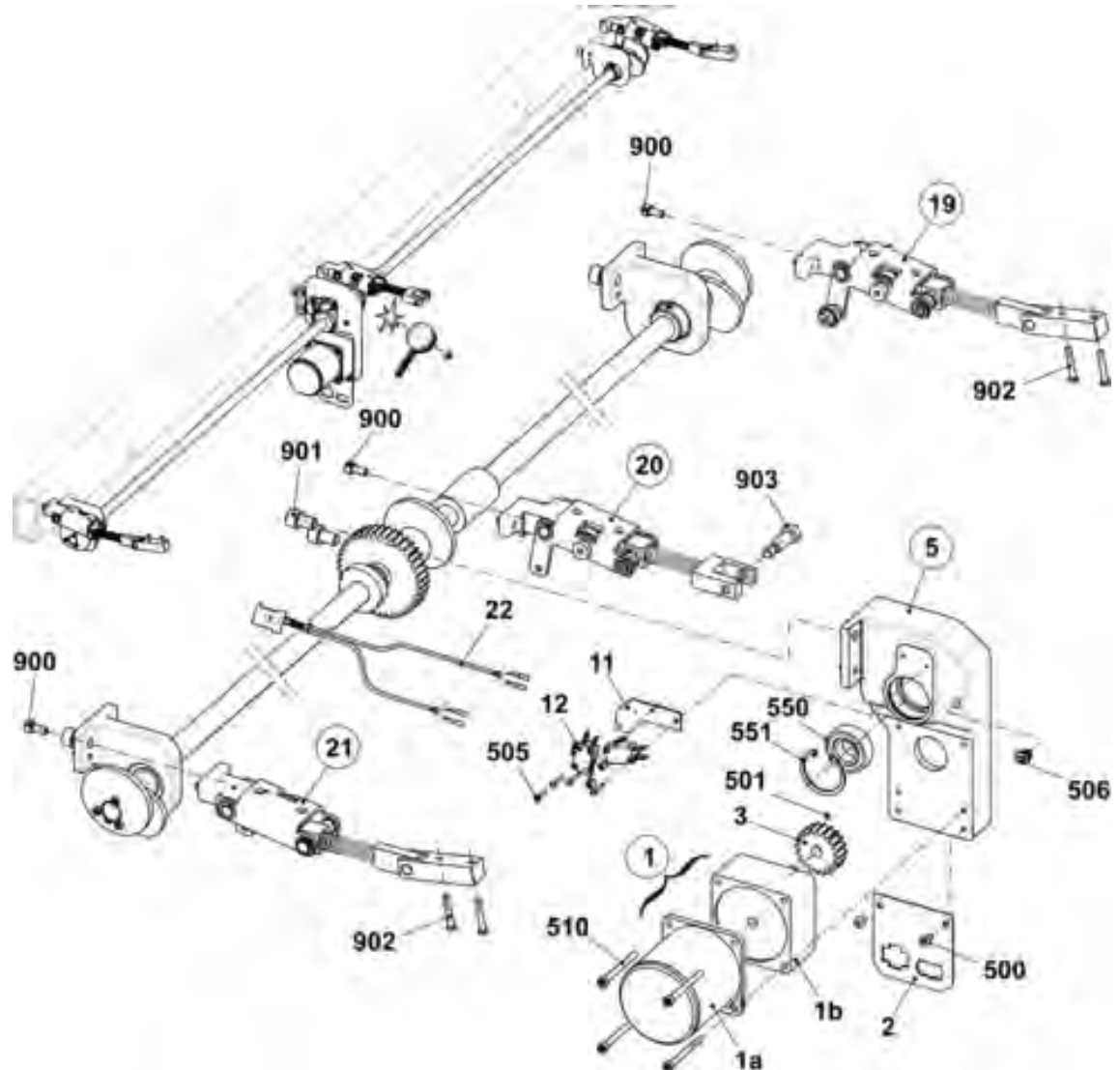
### 6.4.4 Impulse sensor and motor

Pos	Designation	ID		Pos	Designation	ID
Σ	Motor take-down unit complete	253 803				
1	Asynchronous torque motor (complete)	257 438		500	Cap screw M4x8	022 501
2	Impulse disc	208 716		501	Washer 4-200	020 879
3	Light barrier take-down + comb	300 744		502	Circlip	022 774
4	Cover	212 262		503	Shim ring 4x8x1	023 369
5	Gear wheel	241 668		510*	Cap screw M8x25	020 142



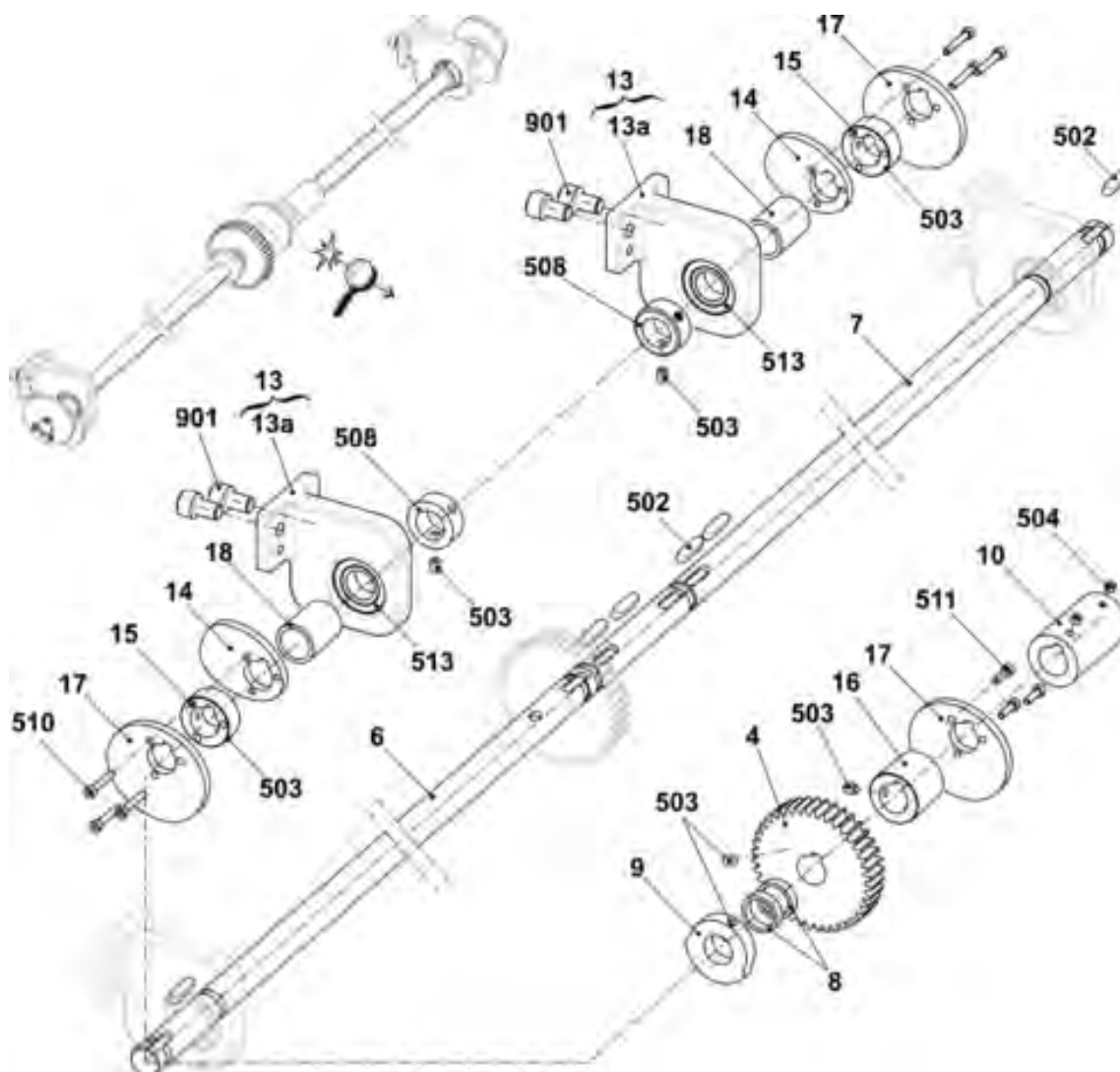
## 6.5 Take-down closing device

Pos	Designation	ID	Pos	Designation	ID
Σ	Main take-down on / off complete	253 387	19	Swivel support on the right complete	253 389
1	Motor complete		20	Swivel holder in the middle complete	239 188
	1a	Motor 25W	21	Swivel holder on the left complete	253 388
	1b	Gear unit	22	Cable switch HAAB open	232 442
	510	Cap screw M5x55	500	Cap screw M5x8	023 319
2	Sheet metal	232 992	501	Setscrew M4x4	022 875
3	Gear wheel	232 434	505	Cap screw M3x15	020 009
5	Support in the middle complete		506	Assembling element	209 543
	550	Grooved ball bearing 6004-2Z	900	Cap screw M6x14	022 658
	551	Locking ring 42x1,75	901	Cap screw M10x16	023 895
11	Limit switch retaining plate	235 190	902	Screw M50x30	253 257
12	Microswitch XGK2-S21 250 VAC	210 510	903	Cap screw M10x25	023 751



## 6.6 Continuation of take-down closing device

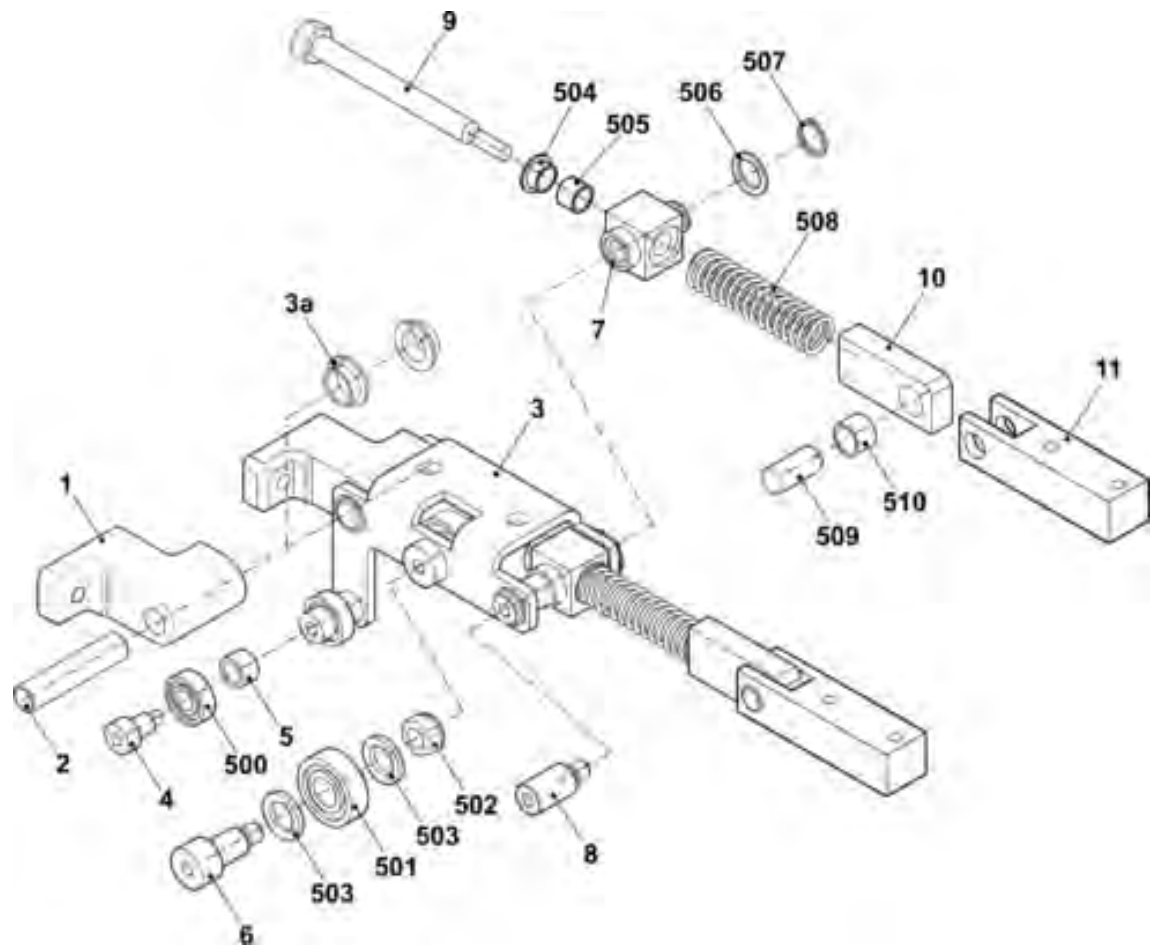
Pos	Designation	ID	Pos	Designation	ID
Σ	Main take-down on/off complete	253 387	15	Guide bush	234 876
4	Gear wheel	213 744	16	Guide bush	235 623
6	Shaft	237 180	17	Eccentric	232 382
7	Wave	237 181	18	Spacer pipe	235 128
8	Threaded spacer	232 385	502	Feather key A 6x6x25	023 017
9	Trip cam	232 383	503	Setscrew M6x8	023 723
10	Coupling	232 604	504	Setscrew M6x5	023 192
13	Support on the outside complete	235 248	508	Set collar A20	020 938
	13a Support	234 780	510	Cap screw M4x25	023 302
	513 Grooved ball bearing 6004-2Z	022 720	511	Cap screw M4x14	023 604
14	Eccentric	235 135	901	Cap screw M10x16	023 895



## 6.6 Continuation of take-down closing device

## 6.6.1 Right swivel support

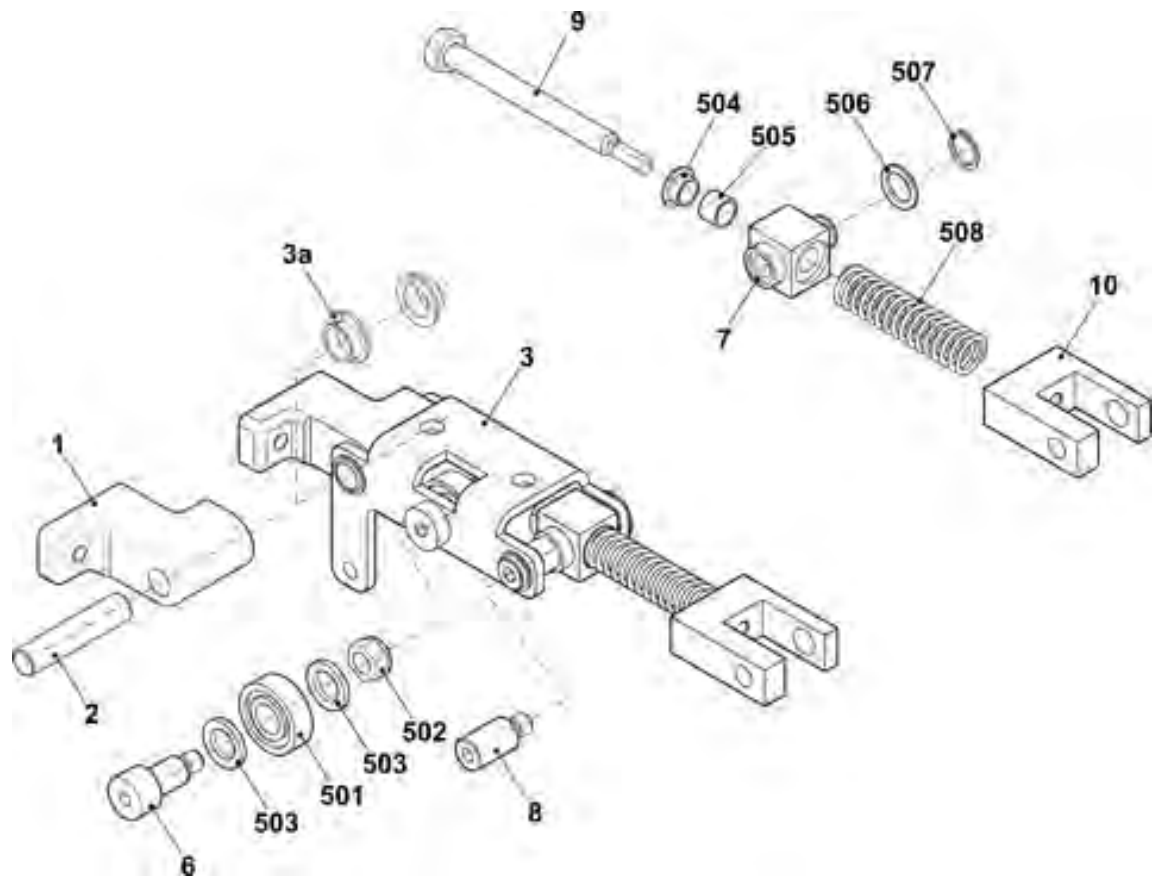
Pos	Designation	ID	Pos	Designation	ID
Σ	Swivel support on the right complete	253 389	11	Lever	253 199
1	Support	239 163	500	Grooved ball bearing 619/8-2RS	023 728
2	Bearing pin	239 164	501	Grooved ball bearing 6000-2Z	022 599
3	Bow	238 974	502	Hexagon nut M8-8	022 843
3a	Clip bearing 11-MCM-12-04	023 639	503	Shim ring 10x16x2	023 600
4	Shoulder screw	239 133	504	Slide bearing GFM-081014-06	023 358
5	Threaded spacer	239 134	505	Slide bearing GSM-0810-10	023 896
6	Shoulder screw	239 132	506	Shim ring 12x18x1	023 315
7	Swivel-mounted bearing	239 100	507	Locking ring 12x1	020 951
8	Bearing bolt	239 117	508	Compression spring 2,5x12,5x67,5	023 743
9	Spring mandrel on the inside	232 388	509	Dowel pin 10x20	023 616
10	Lever	238 370	510	Slide bearing GSM-1012-10	239 178





6.6.2 Swivel holder in the middle

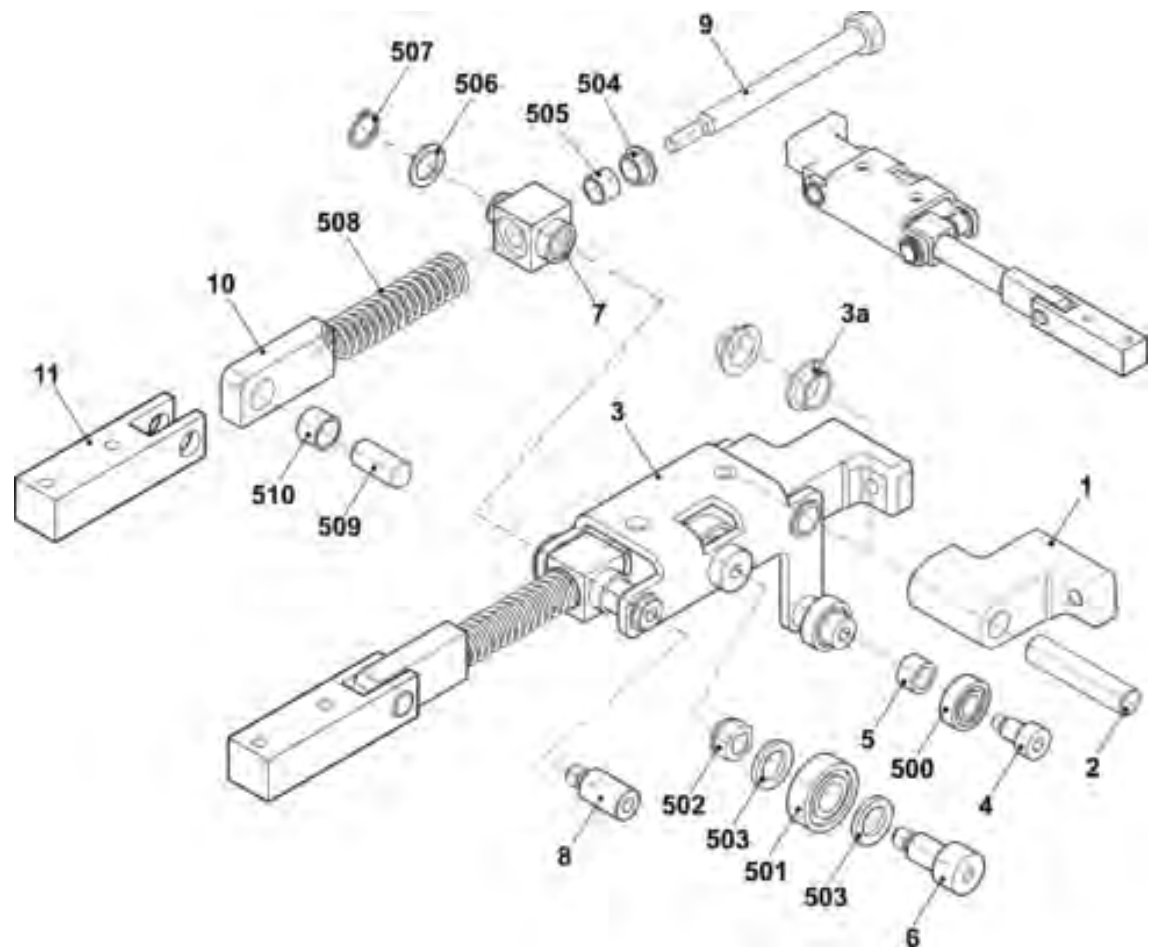
Pos	Designation	ID	Pos	Designation	ID
Σ	Swivel holder in the middle complete	239 188	10	Angle	238 778
1	Support	239 163	501	Grooved ball bearing 6000-2Z	022 599
2	Bearing pin	239 164	502	Hexagon nut M8-8	022 843
3	Bow	238 974	503	Shim ring 10x16x2	023 600
	3a	Clip bearing 11-MCM-12-04	504	Slide bearing GFM-081014-06	023 358
6	Shoulder screw	239 132	505	Slide bearing GSM-0810-10	023 896
7	Swivel-mounted bearing	239 100	506	Shim ring 12x18x1	023 315
8	Bearing bolt	239 117	507	Locking ring 12x1	020 951
9	Spring mandrel on the inside	232 388	508	Compression spring 2,5x12,5x67,5	023 743



## 6.6 Continuation of take-down closing device

## 6.6.3 Left swivel holder

Pos	Designation	ID	Pos	Designation	ID
Σ	Swivel holder on the left complete	253 388	11	Lever	253 199
1	Support	239 163	500	Grooved ball bearing 619/8-2RS	023 728
2	Bearing pin	239 164	501	Grooved ball bearing 6000-2Z	022 599
3	Bow on the left	239 184	502	Hexagon nut M8-8	022 843
3a	Clip bearing 11-MCM-12-04	023 639	503	Shim ring 10x16x2	023 600
4	Shoulder screw	239 133	504	Slide bearing GFM-081014-06	023 358
5	Threaded spacer	239 134	505	Slide bearing GSM-0810-10	023 896
6	Shoulder screw	239 132	506	Shim ring 12x18x1	023 315
7	Swivel-mounted bearing	239 100	507	Locking ring 12x1	020 951
8	Bearing bolt	239 117	508	Compression spring 2,5x12,5x67,5	023 743
9	Spring mandrel on the inside	232 388	509	Dowel pin 10x20	023 616
10	Lever	238 370	510	Slide bearing GSM-1012-10	239 178

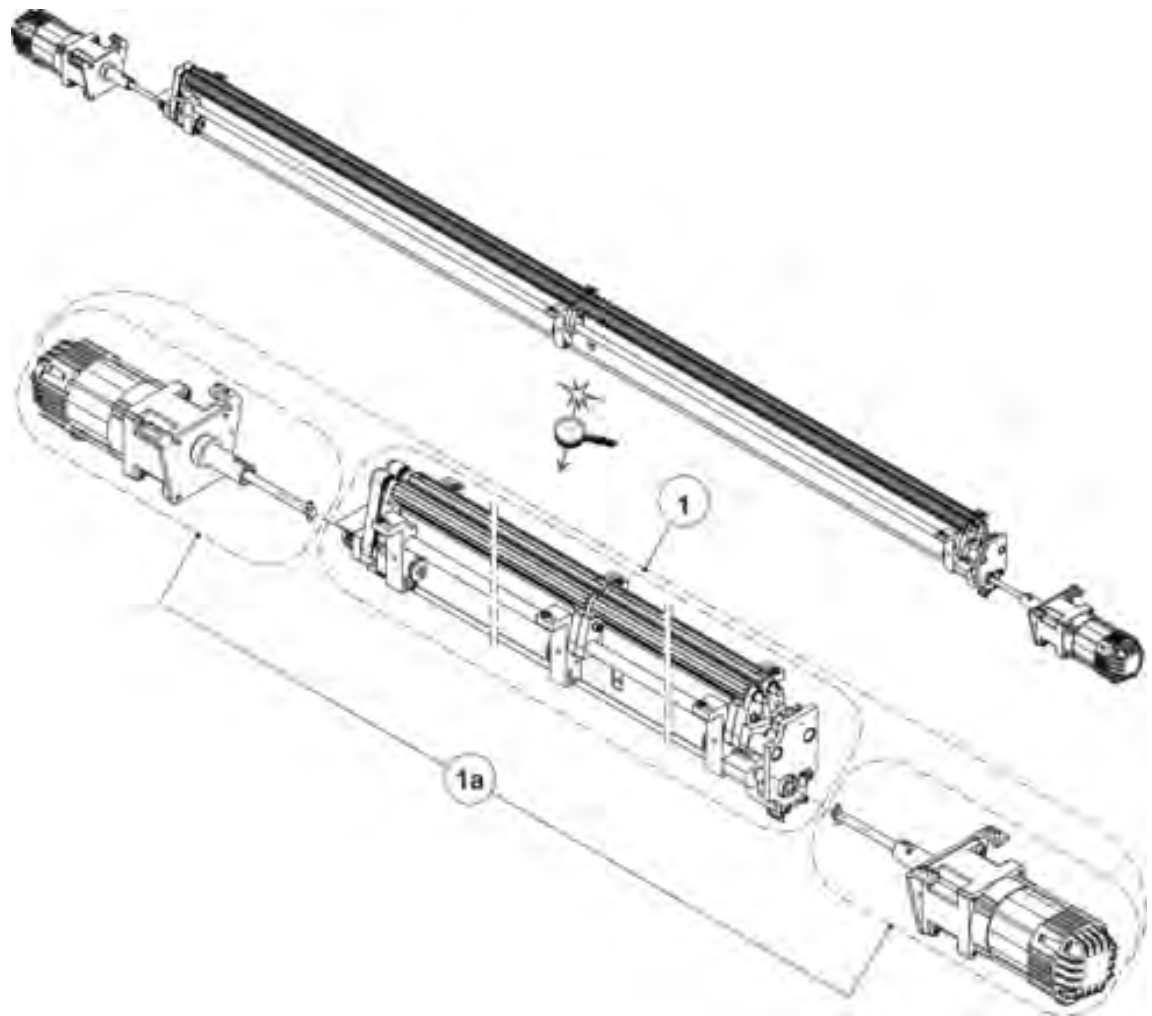


## 7 Auxiliary take-down



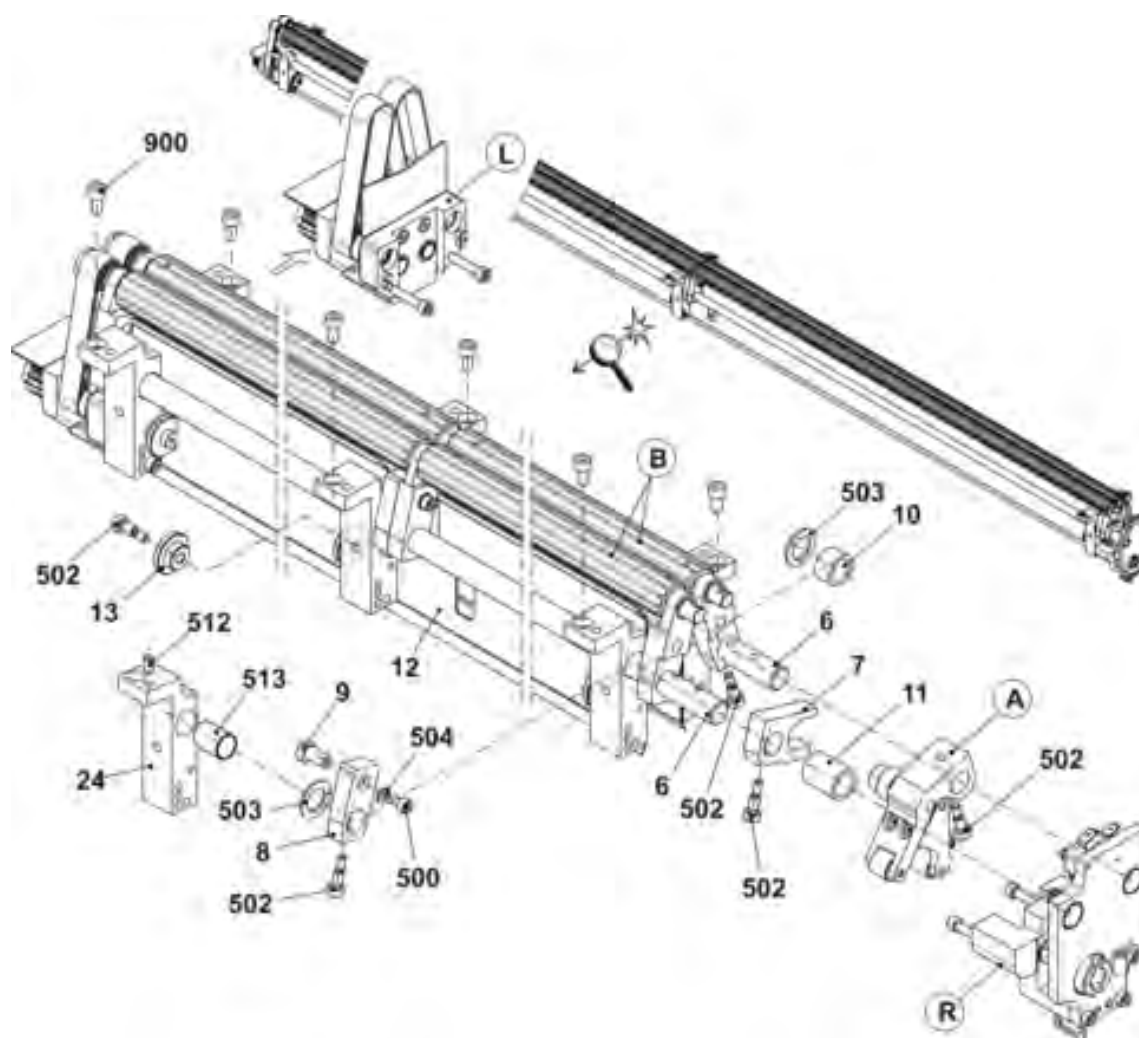
## 7.1 Auxiliary take-down

Pos	Designation	Id		Pos	Designation	Id
$\Sigma$	Auxiliary take-down					
1	Auxiliary take-down pre-assembled	254 974		1a	Motor with 2 phases auxiliary take-down complete	235 602



7.1.1 Auxiliary take-down pre-assembled

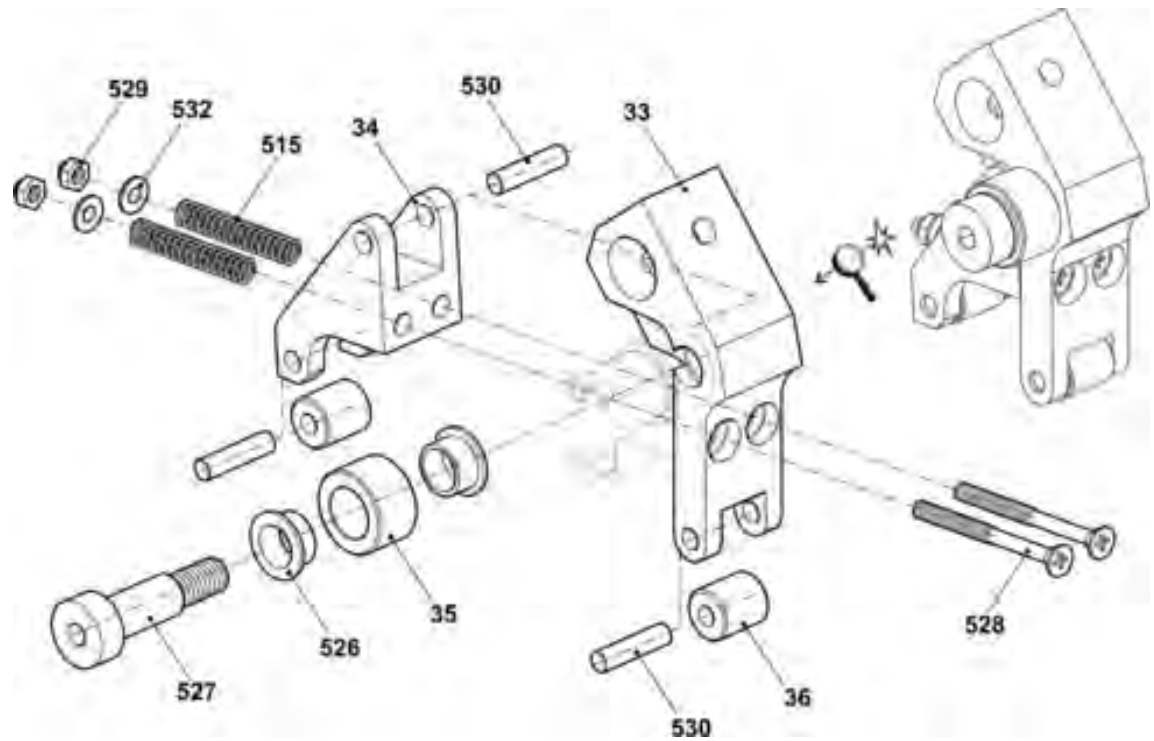
Pos	Designation	Id	Pos	Designation	Id
Σ	Auxiliary take-down pre-assembled	254 974			
6	Contact shaft	237 126	B	Take-down roller	237 128
7	Lever	235 164	L	Bearing on the left	236 894
8	Clamping lever	235 156	R	Bearing on the right	235 353
9	Eccentric	236 952	500	Cap screw M5x10	022 918
10	Spacer pipe	235 189	502	Cap screw 6x10	235 448
11	Spacer pipe	235 192	503	Stop disk GTM-1524-015	235 447
12	Cover plate	237 127	504	Disk5	020 871
13	Roll	235 178	512	Dowel pin 6x10	023 268
24	Support	235 150	513	Slide bearing FSM-1517-20	237 060
A	Contact lever	235 356	900	Cap screw M6x12	020 134



## 7.1 Auxiliary take-down

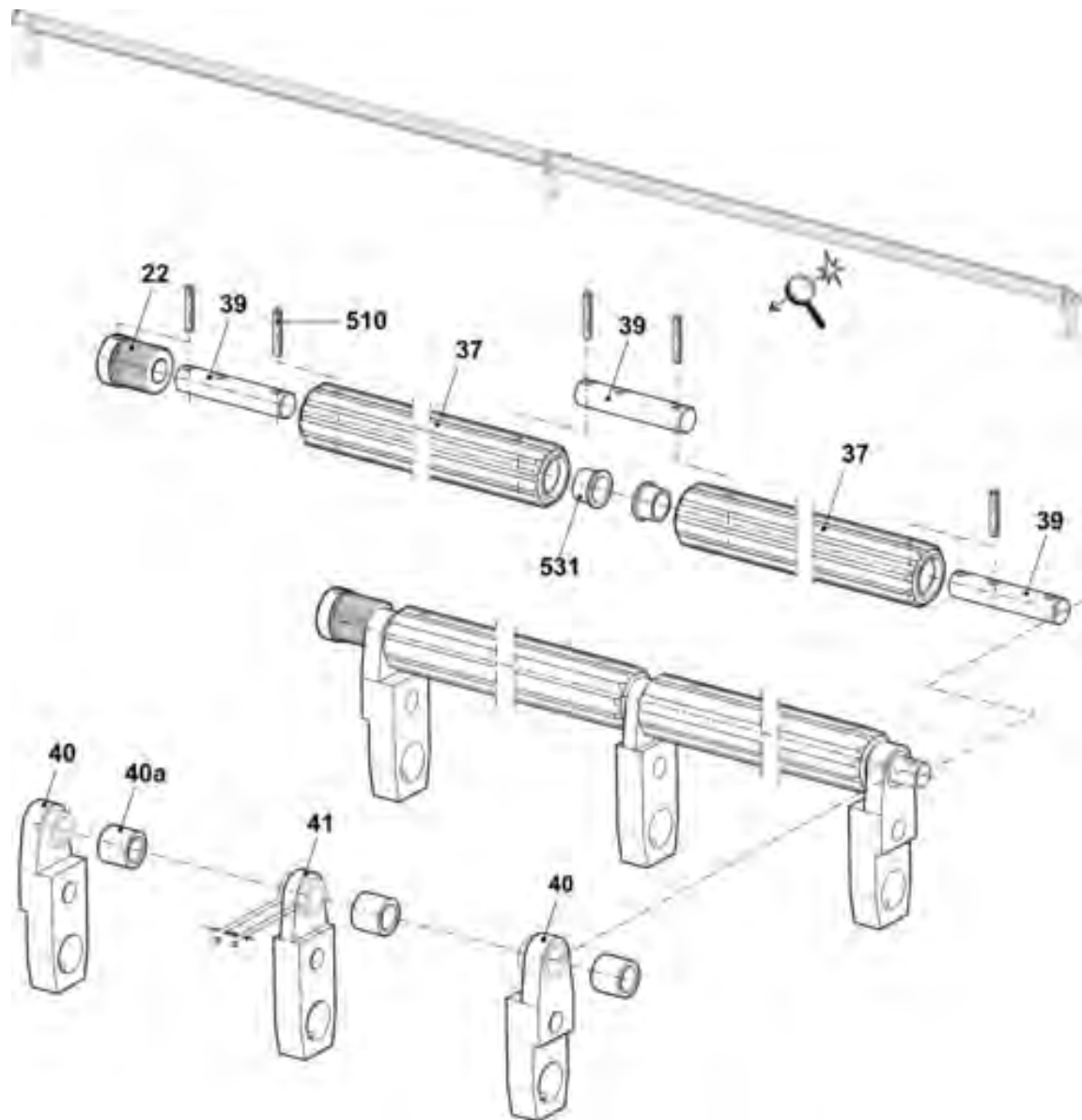
## 7.1.1.1 Contact lever

Pos	Designation	Id	Pos	Designation	Id
Σ	Contact lever	235 356	526	Slide bearing GFM-10x1216-06	023 280
33	Lever	235 172	527	Cap screw M10x16	023 748
34	Toggle	235 173	528	Countersunk screw M4x45	023 291
35	Roller	235 176	529	Hexagon nut M4-8	023 046
36	Roll	235 171	530	Dowel pin 5x22-A-ST	023 716
515	Compression spring 1,6x6,4x27,1	023 288	532	Washer4	020 870



7.1.1.2 Take-down roller

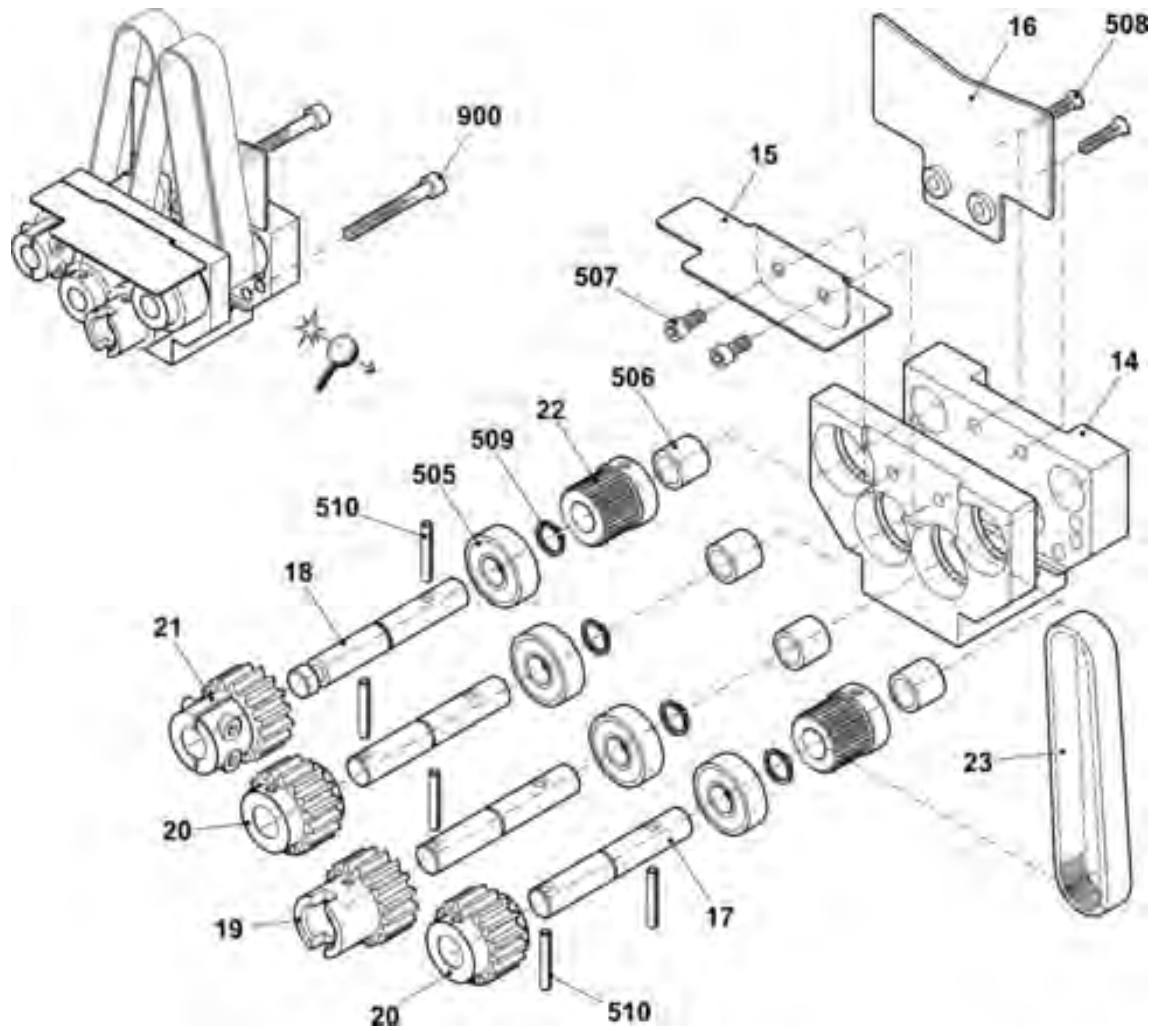
Pos	Designation	Id	Pos	Designation	Id
Σ	Take-down roller	237 128			
22	Toothed belt pulley	237 043	40a	Needle roller bearing 10x14x12	023 665
37	Take-down roller	237 125	41	Lever bearing in the middle complete	235 359
39	Bolts	236 973	531	Slide bearing GFM-101214-07	023 627
40	Lever bearing on the right/left complete	235 358	510	Spring dowel sleeve 3x18	237 059



7.1 Auxiliary take-down

7.1.1.3 Left bearing of the auxiliary take-down

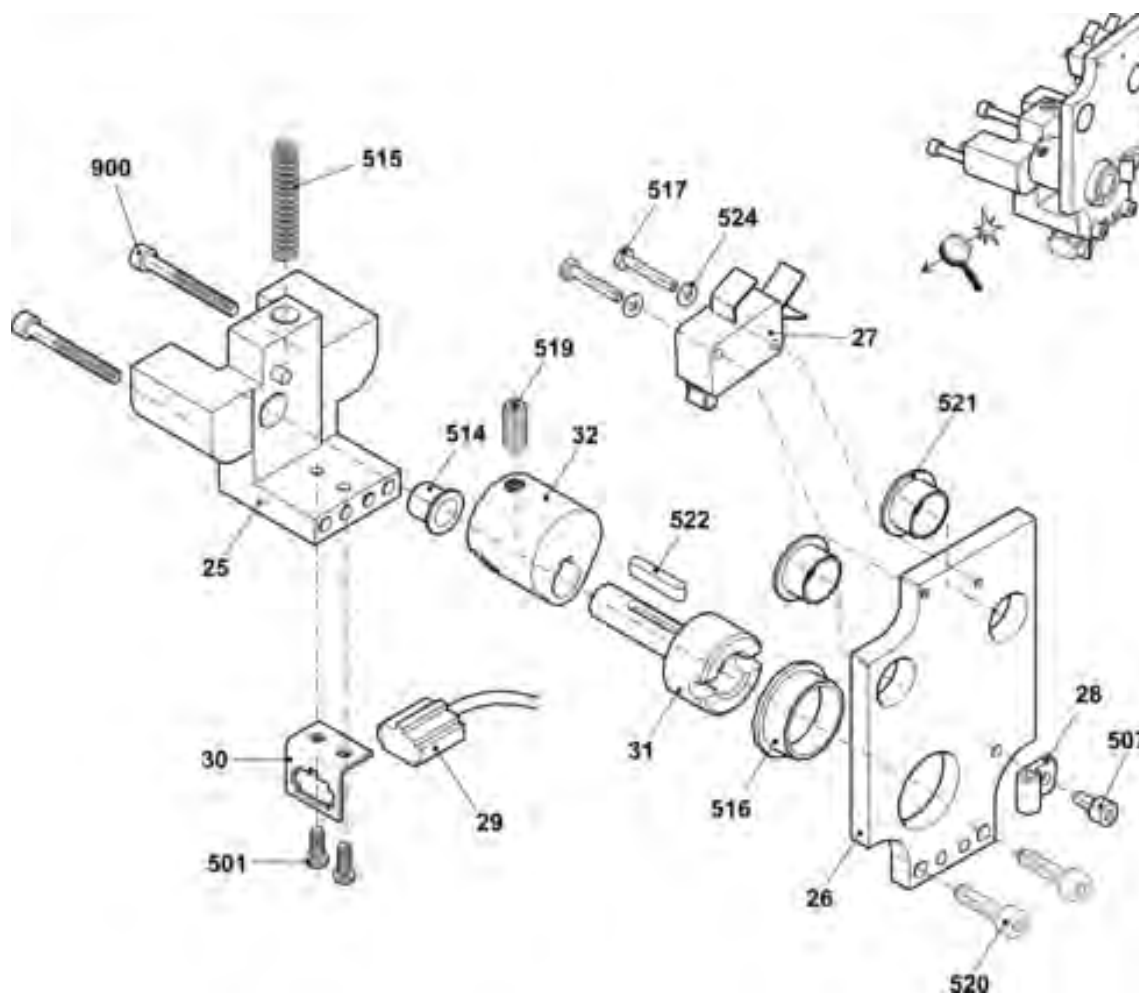
Pos	Designation	Id	Pos	Designation	Id
Σ	Bearing on the left	236 894	22	Toothed belt pulley	237 043
14	Drive bearing	237 422	23	Toothed belt HPS5M NG CLEAN	237 118
15	Cover plate	236 970	505	Grooved ball bearing 61900-2RS1	023 714
16	Cover plate	237 037	506	Needle roller bearing 10x14x10	023 664
17	Bolts	236 964	507	Cap screw M4x8	022 501
18	Bolts	236 963	508	Countersunk screw M4x12	023 062
19	Gear wheel	236 914	509	Locking ring 10x1	020 950
20	Gear wheel	236 916	510	Spring dowel sleeve 3x18	237 059
21	Gear wheel	236 917	900	Cap screw M5x35	022 879





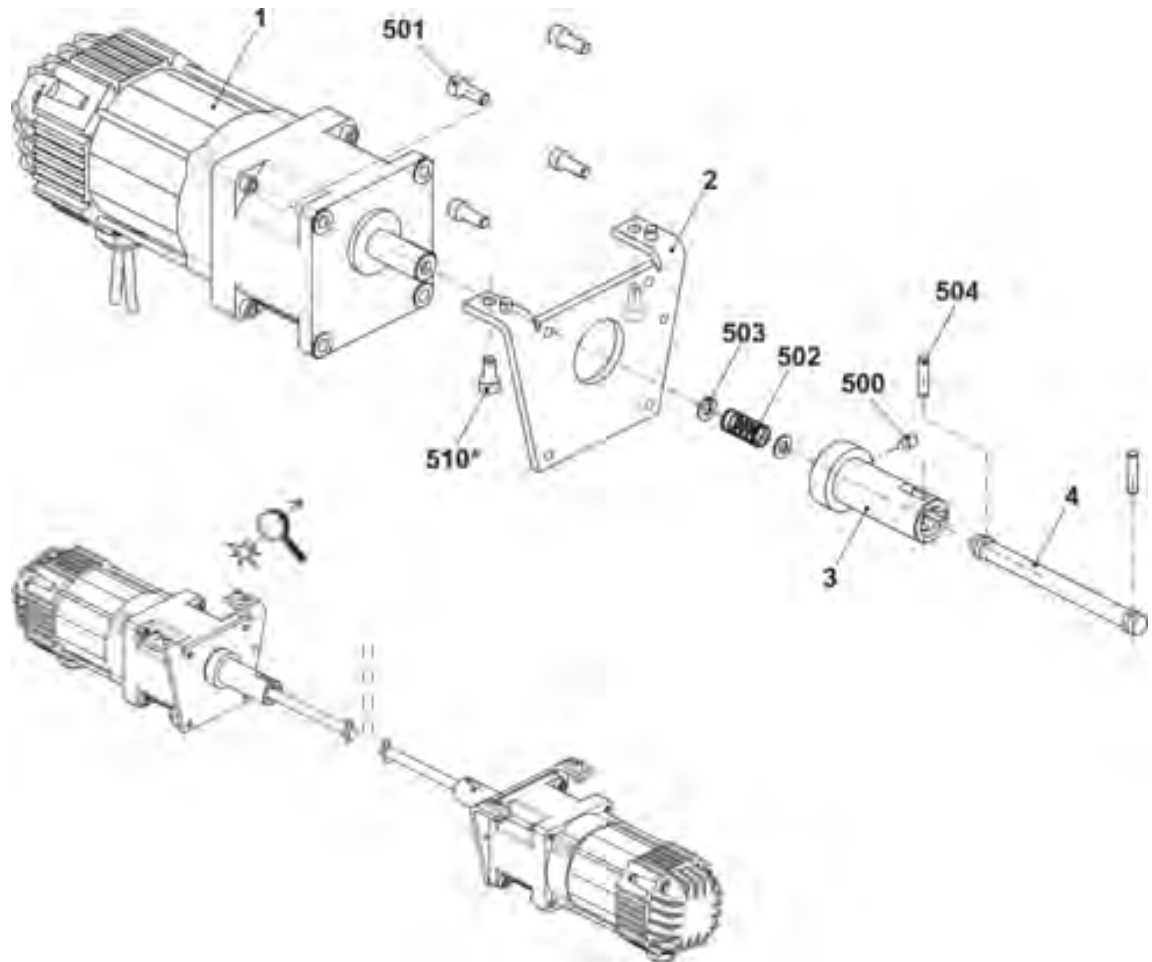
7.1.1.4 Right bearing of the auxiliary take-down

Pos	Designation	Id	Pos	Designation	Id
Σ	Bearing on the right	235 353			
25	Bearing on the right	237 520	514	Slide bearing GFM-101216-09	023 356
26	Plate	235 168	515	Compression spring 1,6x6,4x27,1	023 288
27	Microswitch	026 259	516	Slide bearing GFM-2427-07	023 712
28	Cable clip N-3B 5mm	210 729	517	Hexagon screw M3x16	237 058
29	Cable switch HIAB St468	235 027	519	Setscrew M6x12	023 724
30	Sheet metal for plug	236 068	520	Cap screw M5x16	022 726
31	Shaft	235 159	521	Slide bearing GFM-1517-09	235 342
32	Eccentric	235 165	522	Feather key A 4x4x20	235 349
501	Pan-head screw M4x8	023 579	524	Washer3	020 877
507	Cap screw M4x8	022 501	900	Cap screw M5x35	022 879

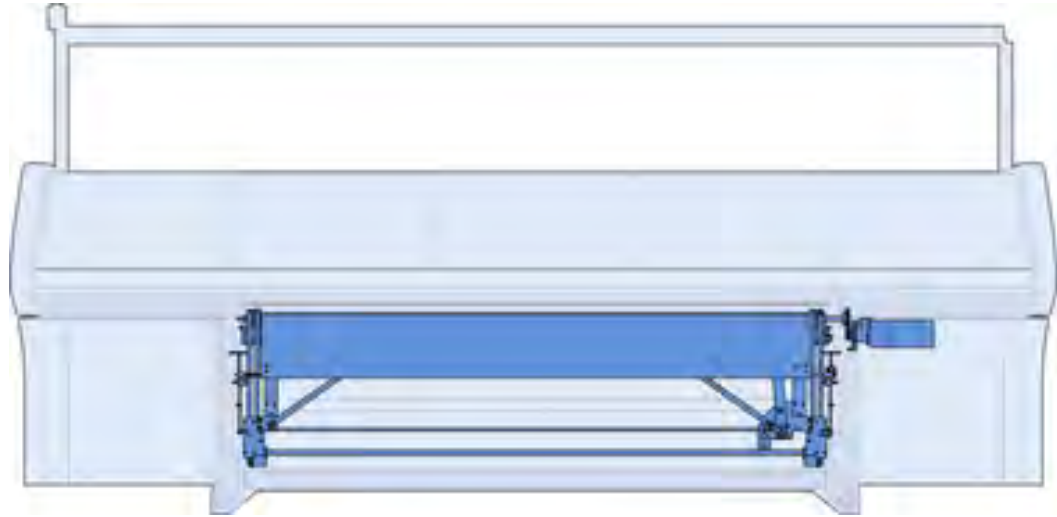


## 7.1.2 Motor

Pos	Designation	Id		Pos	Designation	Id
Σ	Motor with 2 phases auxiliary take-down complete	254 974				
1	Motor 1,8NM 30MIN-1	234 805		501	Cap screw M6x16	020 135
2	Motor bracket	235 276		502	Compression spring 0,63x10,97x40	023 500
3	Drive sleeve	235 285		503	Shim ring 6x12x1	023 444
4	Wave	235 300		504	Dowel pin 5x22-A-ST	023 716
500	Setscrew M6x10	023 543		510*	Cap screw M6x12	020 134

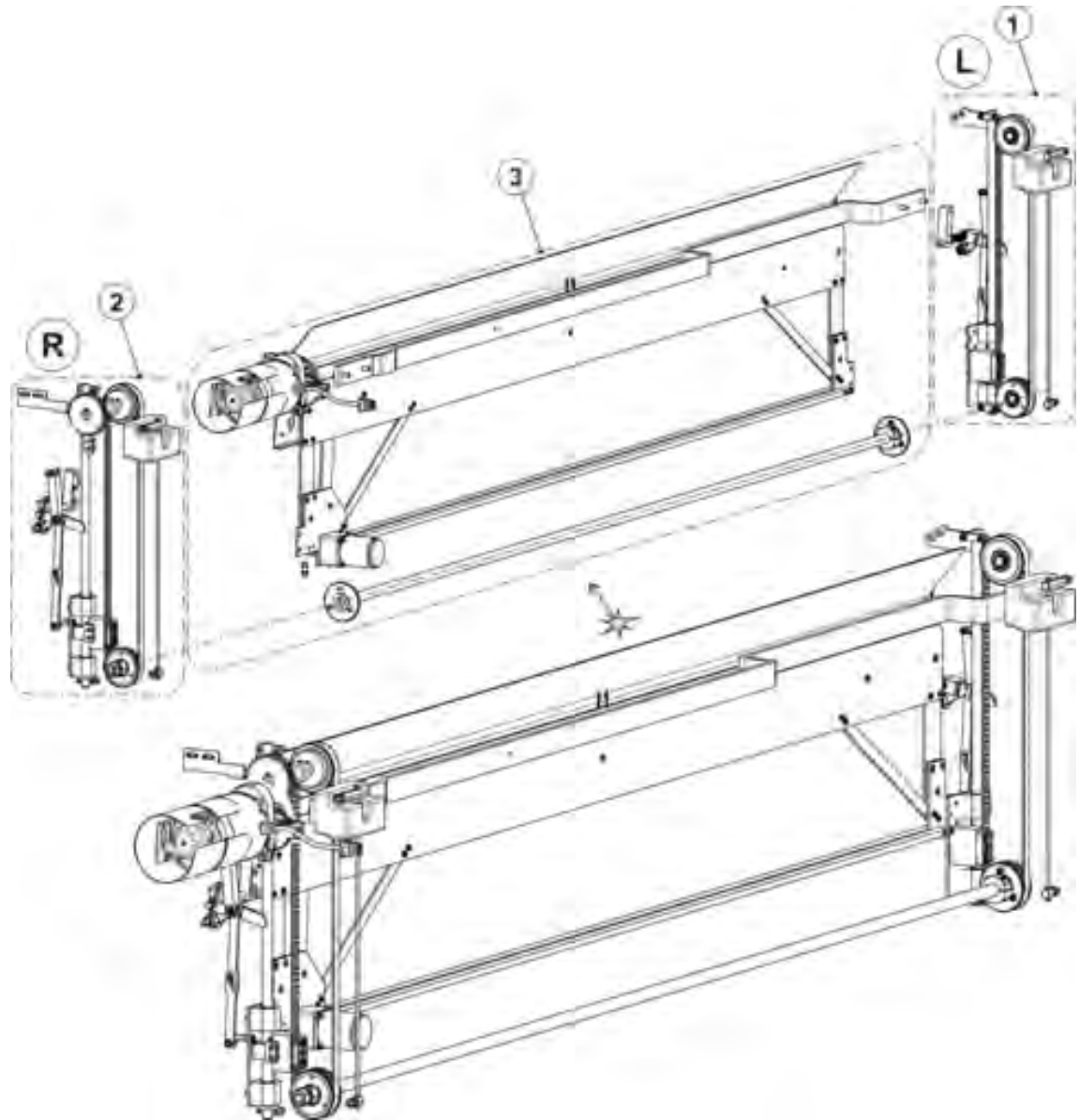


## 8 Comb take-down



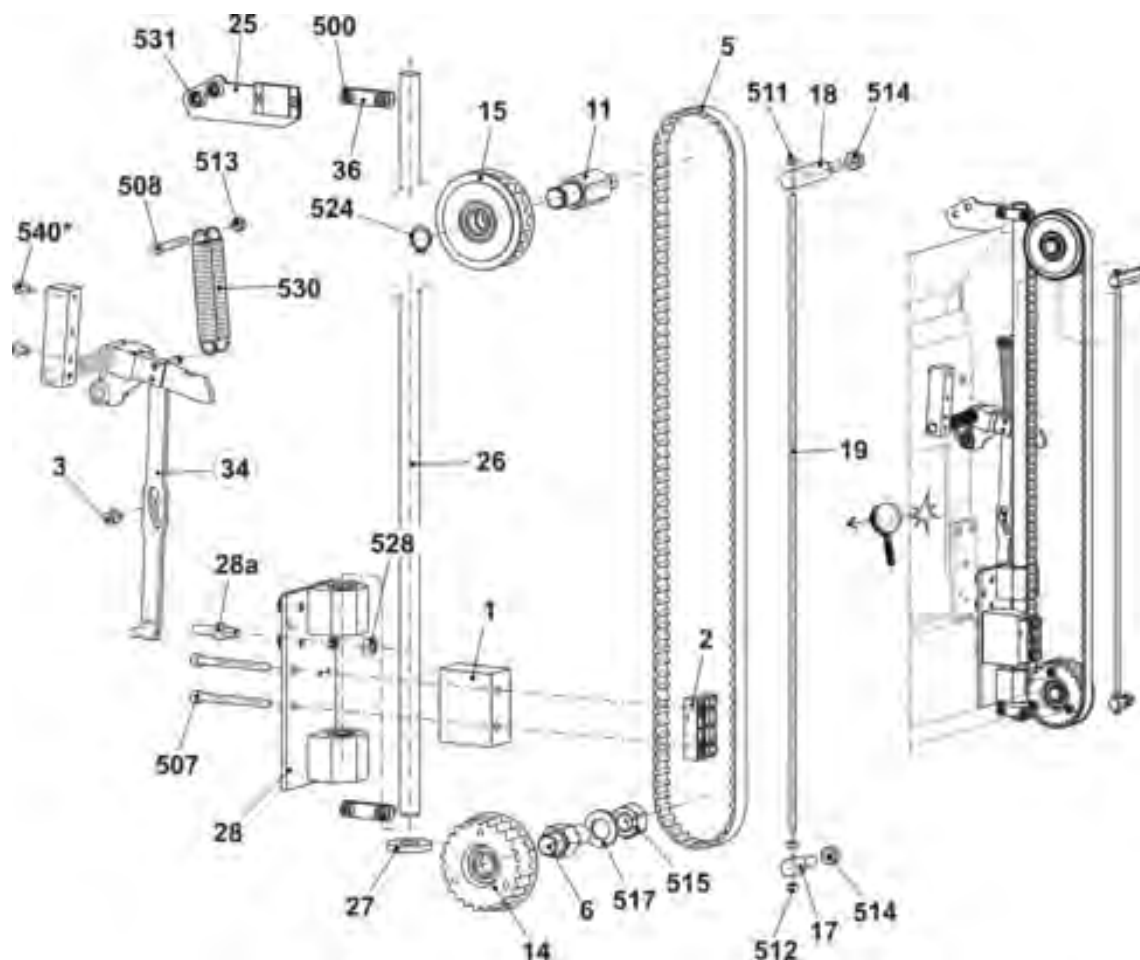
## 8.1 Comb take-down

Pos	Designation	ID	Pos	Designation	ID
$\Sigma$	Comb take-down		2	Comb take-down on the right	256 839
1	Comb take-down on the left	256 838	3	Comb take-down in the middleE2,5.2	255 289



8.1.1 Comb take-down on the left

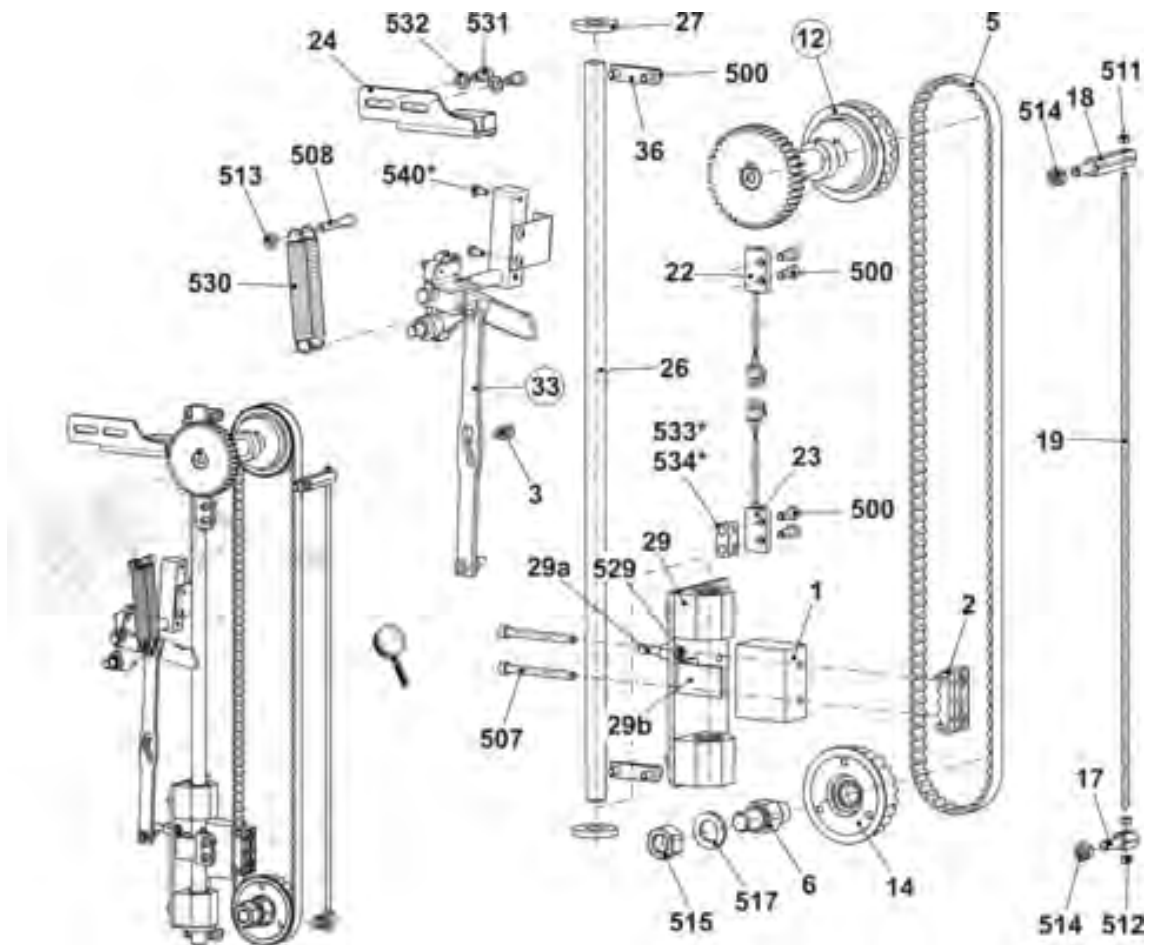
Pos	Designation	Id	Pos	Designation	Id
Σ	Comb take-down on the left	256 838			
1	Clamping piece	209 379			
2	Pressure plate	241 967			
3	Bolts	222 152			
5	Toothed belt 16T10/1300	240 065			
6	Eccentric pin	222 320			
11	Bolts	207 689			
14	Toothed lock washer at the bottom complete	211 822			
15	Toothed lock washer at the top complete	211 823			
17	Stay bolt	222 315			
18	Stay bolt	240 056			
19	Threaded rod M5	240 057			
25	Reflector complete	256 826			
26	Guide bar C35	206 560			
27	Rubber buffer	206 561			
28	Comb guide on the left	255 425			
28a	Driving bolt	255 427			
			528	Hexagon nut M8-6	020 838
			34	Swivel lever on the left	252 859
			36	Clamping plate	227 159
			500	Cap screw M6x16	020 135
			507	Cap screw M6x65	240 162
			508	Cap screw M6x45	022 689
			511	Hexagon nut M5-8	023 541
			512	Hexagon nut M5-6	020 835
			513	Hexagon nut M6-6	020 836
			514	Hexagon nut M8-6	020 838
			515	Hexagon nut M16-6	020 845
			517	Washer 16	020 876
			524	Locking ring 17x1	023 299
			530	Tension spring Din2097 15x1,50x70,94	251 614
			531	Cap screw M6x12	020 134
			540*	Pan-head screw M5x10	023 247



8.1 Comb take-down

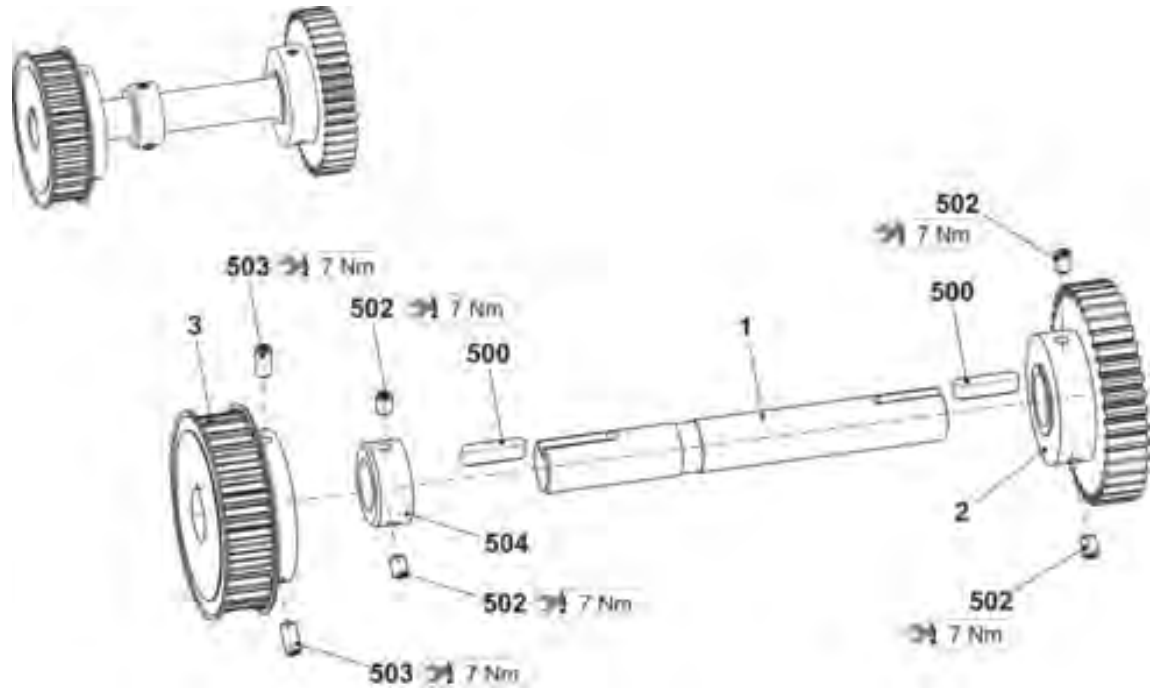
8.1.2 Comb take-down on the right

Pos	Designation	Id	Pos	Designation	Id
Σ	Comb take-down on the right	256 839			
1	Clamping piece	209 379	529	Hexagon nut M8-6	020 838
2	Pressure plate	241 967	33	Swivel lever on the right	252 858
3	Bolts	222 152	36	Clamping plate	227 159
5	Toothed belt 16T10/1300	240 065	500	Cap screw M6x16	020 135
6	Eccentric pin	222 320	507	Cap screw M6x65	240 162
12	Drive shaft comb complete	214 583	508	Cap screw M6x45	022 689
14	Toothed lock washer at the bottom complete	211 822	511	Hexagon nut M5-8	023 541
17	Stay bolt	222 315	512	Hexagon nut M5-6	020 835
18	Stay bolt	240 056	513	Hexagon nut M6-6	020 836
19	Threaded rod M5	240 057	514	Hexagon nut M8-6	020 838
22	Proximity switch inductive at the top	231 516	515	Hexagon nut M16-6	020 845
23	Proximity switch inductive at the bottom	231 520	517	Washer 16	020 876
24	Holding angle light barrier	257 409	530	Tension spring 15x1,50x70,94	251 614
26	Guide bar C35	206 560	531	Cap screw M6x12	020 134
27	Rubber buffer	206 561	532	Washer 6	020 872
29	Comb guide on the right	255 424	533*	Shim 0,2x12x27	023 735
29a	Driving bolt	255 427	534*	Shim 0,5x12x27	023 736
29b	Angle	240 112	540*	Pan-head screw M5x10	023 247



8.1.2.1 Drive shaft of comb

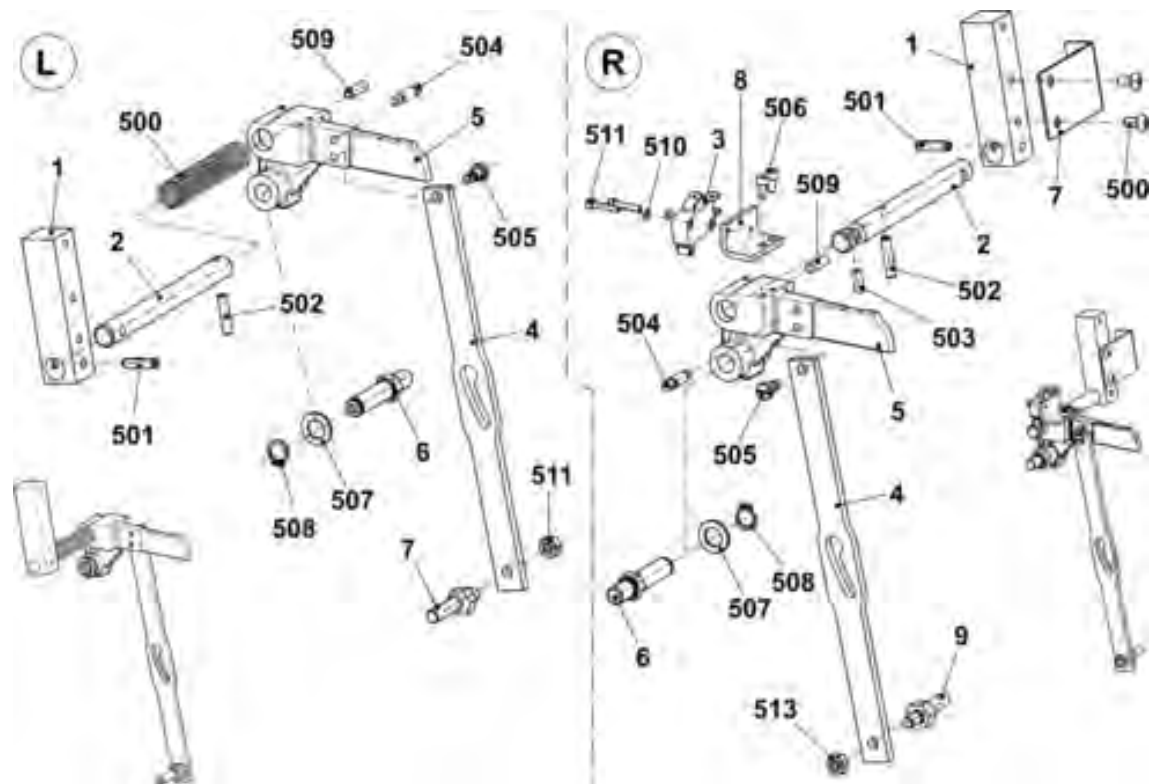
Pos	Designation	Id	Pos	Designation	Id
Σ	Drive shaft comb complete	214 583			
1	Shaft	213 969	500	Feather key A 6x6x25	023 017
2	Gear wheel Z=40, M=2	213 744	502	Setscrew M6x8	022 684
	Always order position 502 additionally		503	Setscrew M6x12	023 898
3	Toothed belt pulley at the top	206 394	504	Set collar	020 938
	Always order position 503 additionally				



8.1 Comb take-down

8.1.2.2 Swivel lever comb take-down

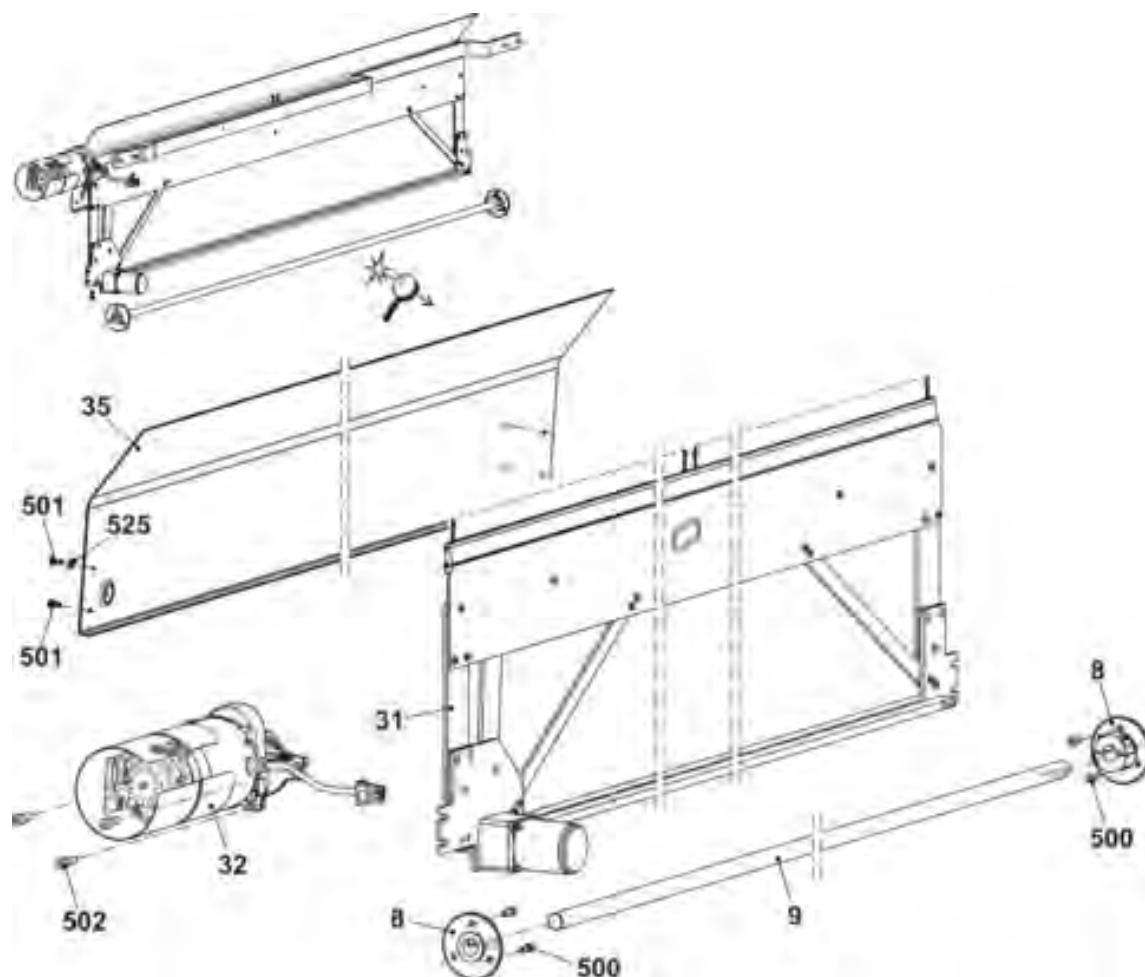
Pos	Designation	Id	Pos	Designation	Id
Σ L	Swivel lever on the left	252 859	Σ R	Swivel lever on the right	252 858
1	Support	252 780	1	Support	252 780
2	Shaft	223 994	2	Shaft	238 339
4	Plunger	255 650	3	Microswitch	026 259
5	Swivel lever	239 248	4	Plunger	255 650
6	Bolt	214 053	5	Swivel lever	239 248
7	Eccentric bolt	255 651	6	Bolt	214 053
500	Compression spring 1,4x13,6x93	023 572	7	Angle	224 009
501	Spring dowel sleeve Iso8752-5x20	020 794	8	Angle	238 304
502	Dowel pin 5x22	023 716	9	Eccentric bolt	255 651
504	Shoulder screw M5x29x35	251 618	500	Pan-head screw M5x10	023 247
505	Shoulder screw M5x5,8x6,2	023 365	501	Spring dowel sleeve 5x20	020 794
507	Washer 10	020 884	502	Dowel pin 5x22	023 716
508	Locking ring	020 950	503	Spring dowel sleeve 5x12	020 793
509	Shoulder screw M5x12x18	020 539	504	Shoulder screw M5x29x35	251 618
511	Hexagon nut M8-6	020 838	505	Shoulder screw M5x5,8x6,2	023 365
			506	Cap screw M4x8	022 501
			507	Washer 10	020 884
			508	Locking ring 10x1	020 950
			509	Shoulder screw M5x12x18	020 539
			510	Cap screw M3x16	022 583
			511	Washer 3	020 877
			513	Hexagon nut M8-6	020 838





### 8.1.3 Comb take-down in the middle

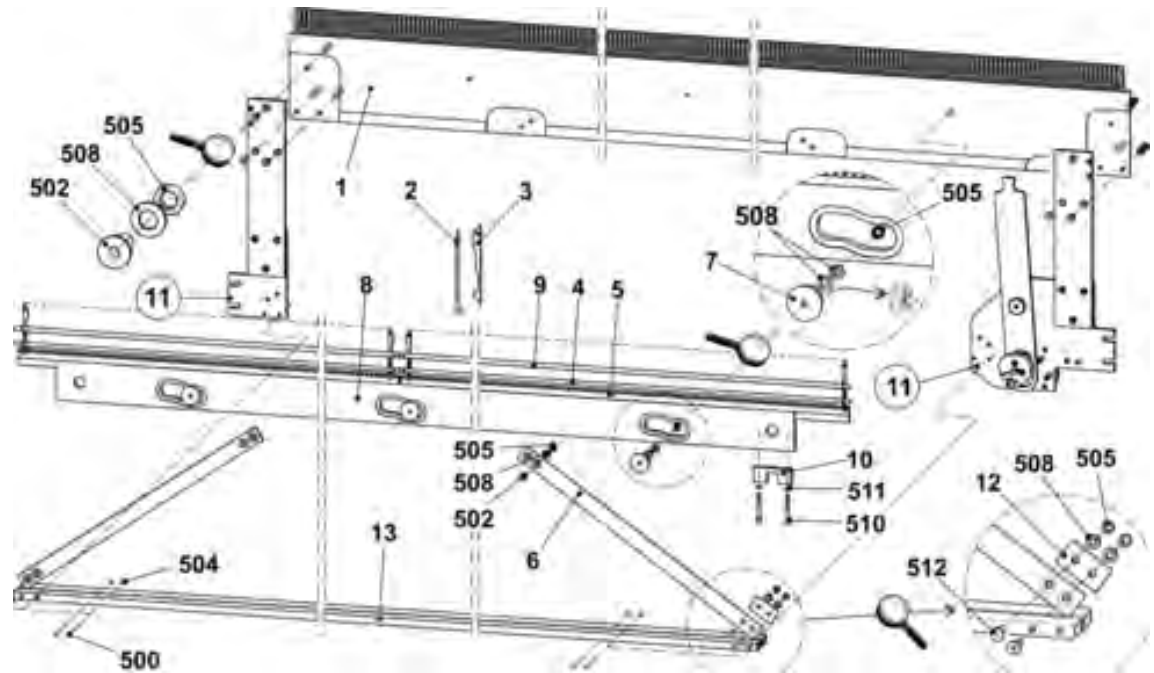
Pos	Designation	ID		Pos	Designation	ID
Σ	Comb take-down in the middle E2,5.2	255 289			Comb unit E2,5.2	244 329
8	Flange	207 695		32	Motor take-down unit complete	253 803
9	Shaft long	236 875		35	Marking plate open	252 830
500	Cap screw M6x16	020 135		502	Cap screw M8x25	020 142
501	Pan-head screw M5x10	023 247		525	Serrated lock washer J5,3	022 489



8.1 Comb take-down

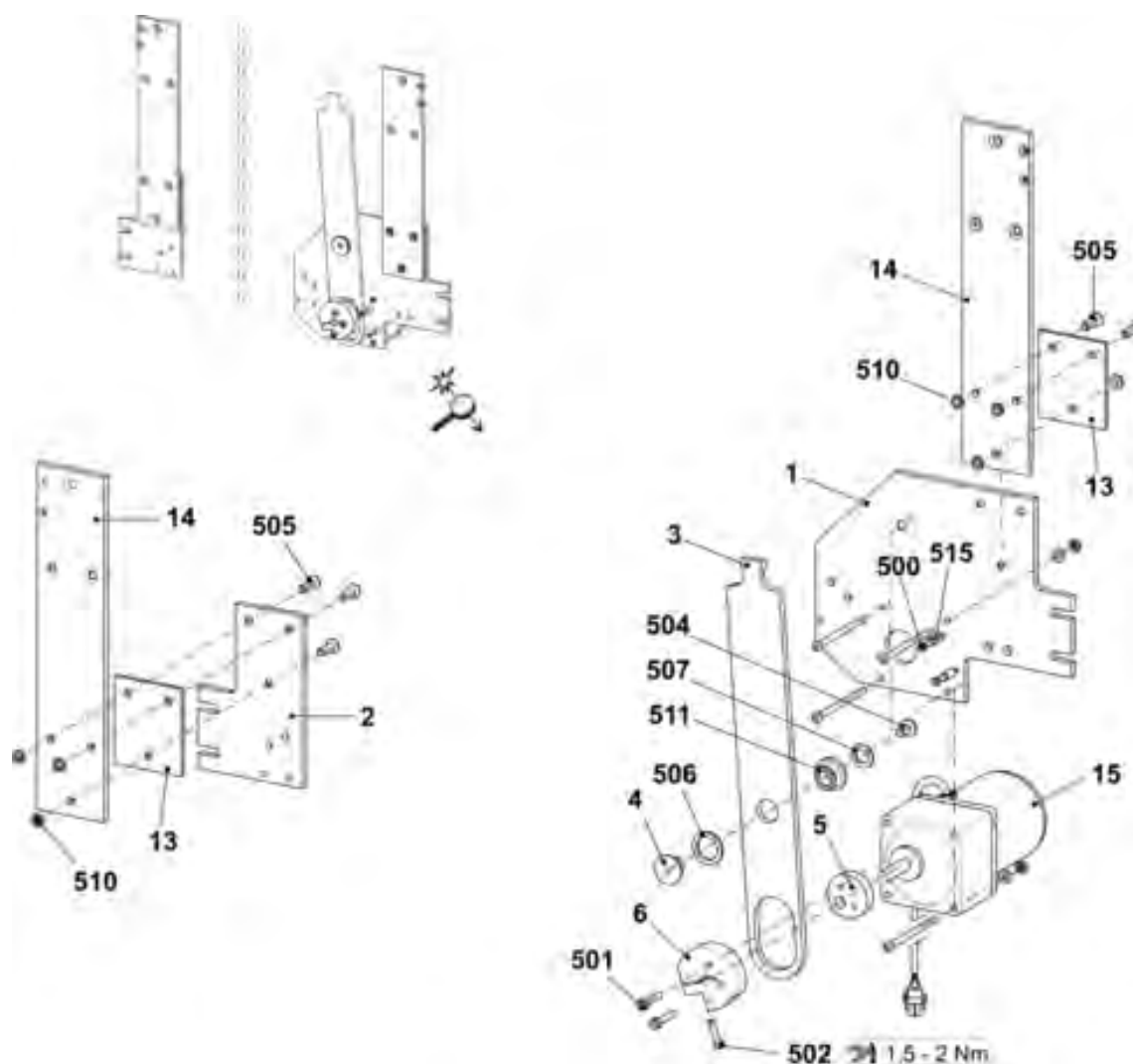
8.1.3.1 Comb unit

Pos	Designation	ID	Pos	Designation	ID
Σ	Comb unitE2,5.2	244 329	11	Switching lever complete	240 060
1	Hook bedE5	237 468	12	Intermediate plate	218 742
2	CloserE3-8	230 105	13	Stabilizer	237 056
3	BodyE2,5.2	230 093	500	Cap screw M4x50	023 102
4	Cover rail	237 065	502	Countersunk head screw M5x12	023 340
5	Hook sliderE5	237 463	504	Hexagon nut M4-8	023 046
6	Strut	218 740	505	Hexagon nut M5-04	020 854
7	Collar bolt complete	211 036	508	Washer5-200	020 871
8	Cross slider	237 069	510	Cap screw M4x30	023 290
9	Cover rail	237 074	511	Circlip	022 774
10	Plunger	205 678	512	Countersunk screw M5x16	023 417



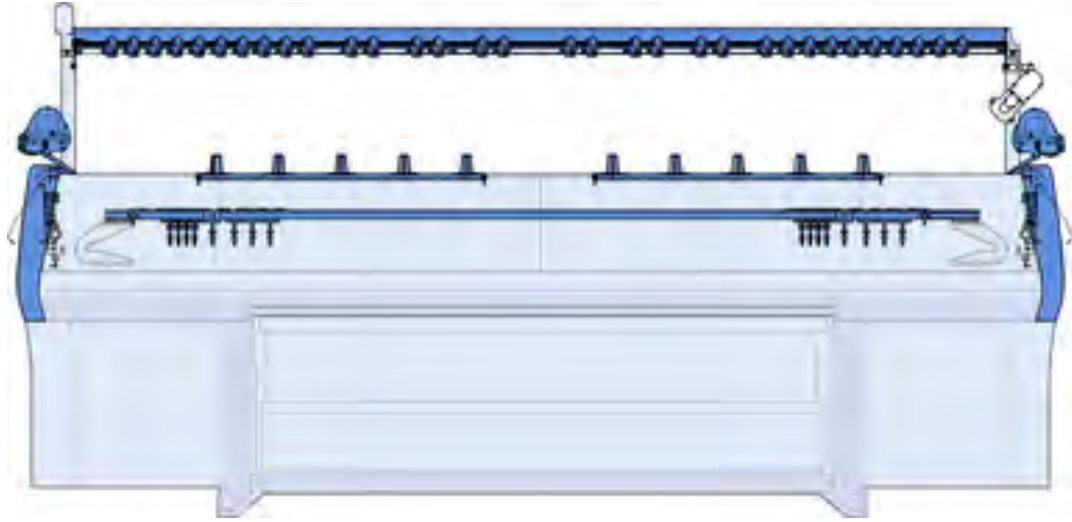
8.1.3.1.1 Switching lever comb take-down

Pos	Designation	ID		Pos	Designation	ID
Σ	Switching lever complete	240 060		500	Cap screw M3x25	023 093
1	Screw-on plate on the right	240 058		501	Cap screw M4x20	023 171
2	Screw-on plate on the left	240 059		502	Cap screw M4x16	023 123
3	Lever	215 228		504	Pan-head screw M6x12	023 435
4	Bearing bolt	215 675		505	Pan-head screw M5x16	023 417
5	Eccentric	205 681		506	Shim ring 16x22x2	023 449
6	Tension cam	215 287		507	Shim ring 10x16x1	023 260
13	Intermediate plate	213 980		510	Hexagon nut M5	020 854
14	Holding plate	218 977		511	Collar bearing 10x16x22	022 841
15	Motor comb hook with 2 phases	244 635		515	Threaded spacer	210 488



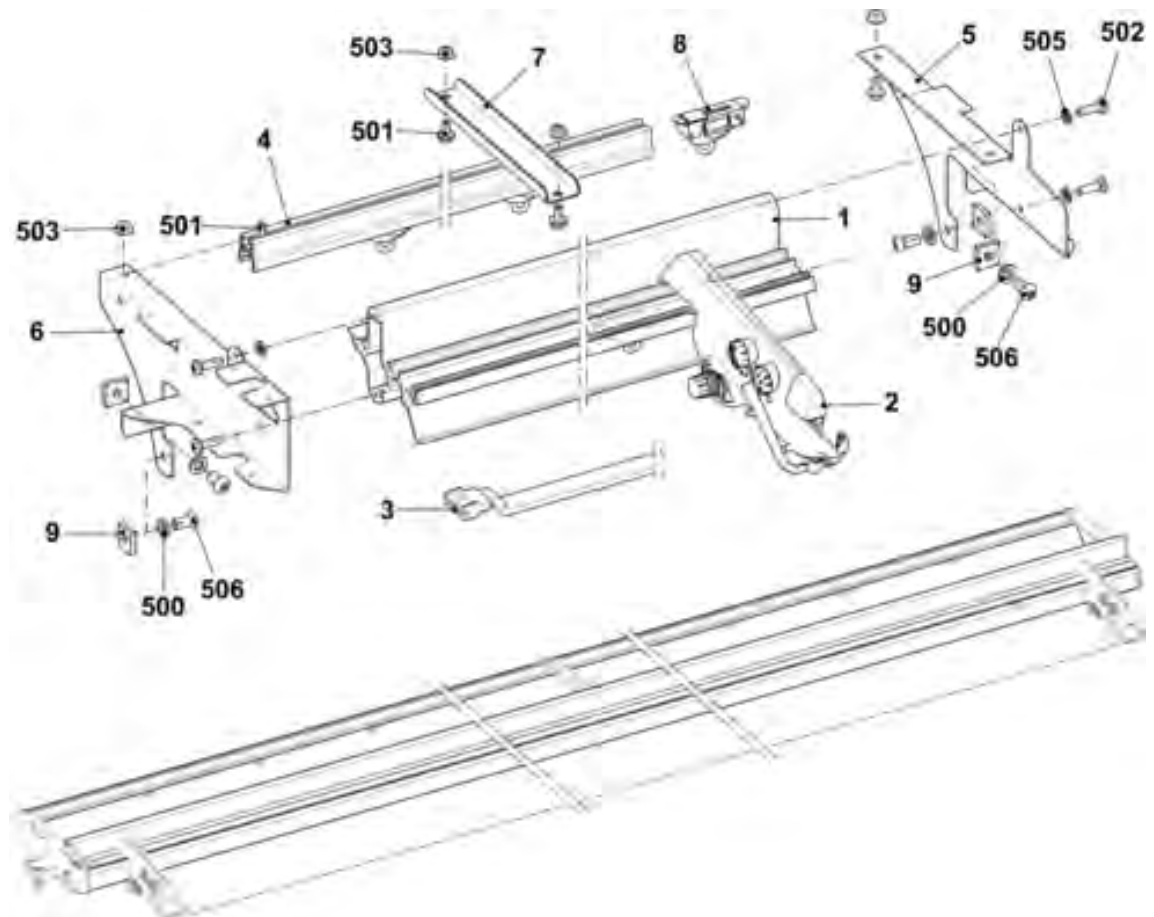
Notes:

## 9 Yarn delivery device



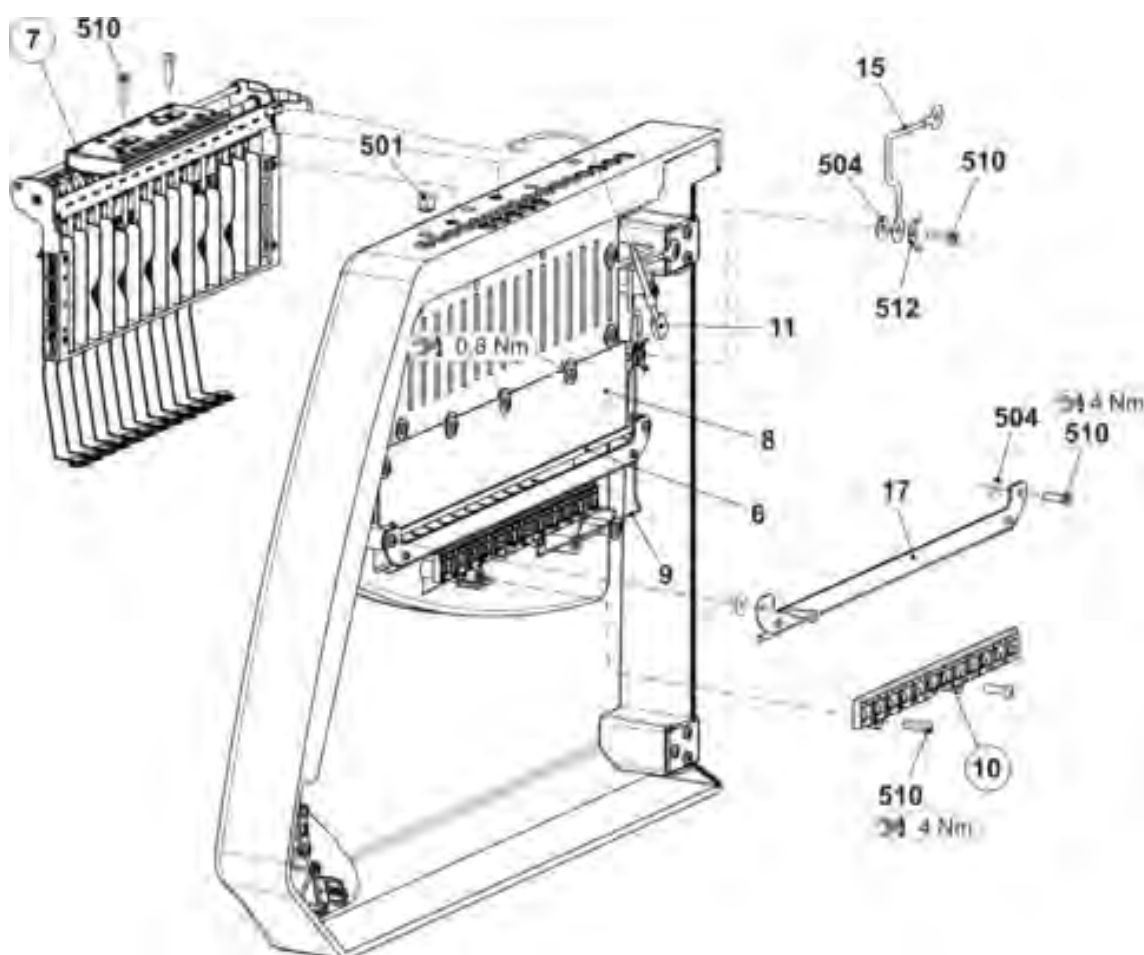
## 9.1 Yarn guide system from 20 up to 26 FKE

Pos	Designation	Id	Pos	Designation	Id
Σ	Yarn guide system 20 FKE 84"	240 685			
	Yarn guide system 26 FKE 84"	242 269	8	Yarn guide bracket complete	241 581
1	Support 84"	243 112	9	Slot nut	228 851
2	Yarn control device(FKE)	237 124	500	Serrated lock washer	023 388
3	Connection cable FKE-3 84"	240 349	501	Self-locking screw M6x12	023 415
4	Yarn guide bar	236 932	502	Screw M6x20	023 721
5	Support on the right	243 601	503	Serrated nut M6-10	023 414
6	Support on the left	243 600	505	Washer6-200	022 431
7	Support	243 792	506	Pan-head screw M8x16	023 113



## 9.2 Left yarn guide

Pos	Designation	Id	Pos	Designation	Id
Σ	Safety door on the left complete E10-18	241 273			
6	Wave	241 318	15	Ground cable	244 404
7	Yarn tensioner on the left complete E10-18	241 365	17	Stop bar on the left complete	258 454
8	Cover plate 16-fold	259 400	501	Ceramic eyelet	240 640
9	Wire bow on the left	241 370	504	Washer6	022 537
10	Yarn deflector	242 011	510	Screw KB 60x20	237 682
11	Connection cable yarn tensionerokc	240 808	512	Flat connector 2x45° M6	243 117

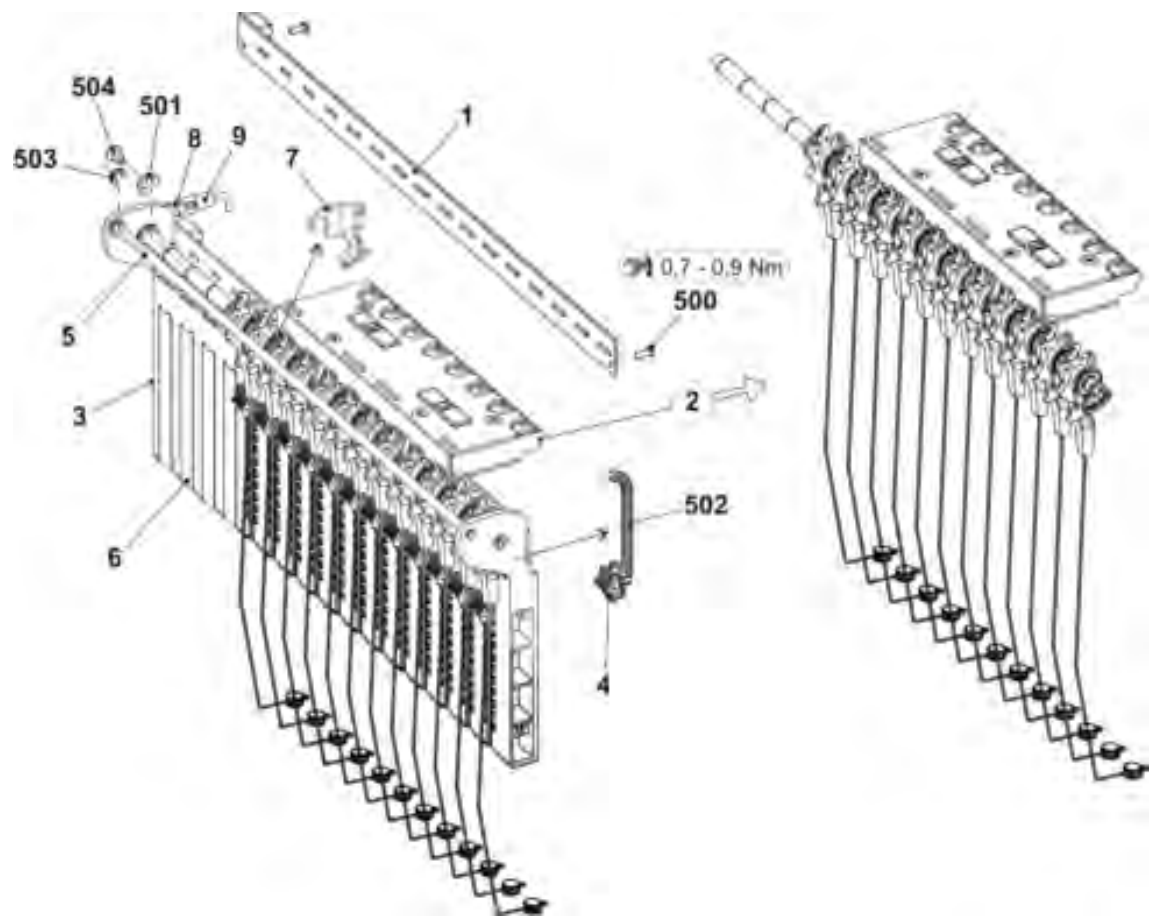


## 9.2 Left yarn guide

## 9.2.1 Yarn tensioner on the left

E10 | E12 | E14 | E16 | E18 | E14/12 | E6.2(12m.10) | E7.2 | E8.2

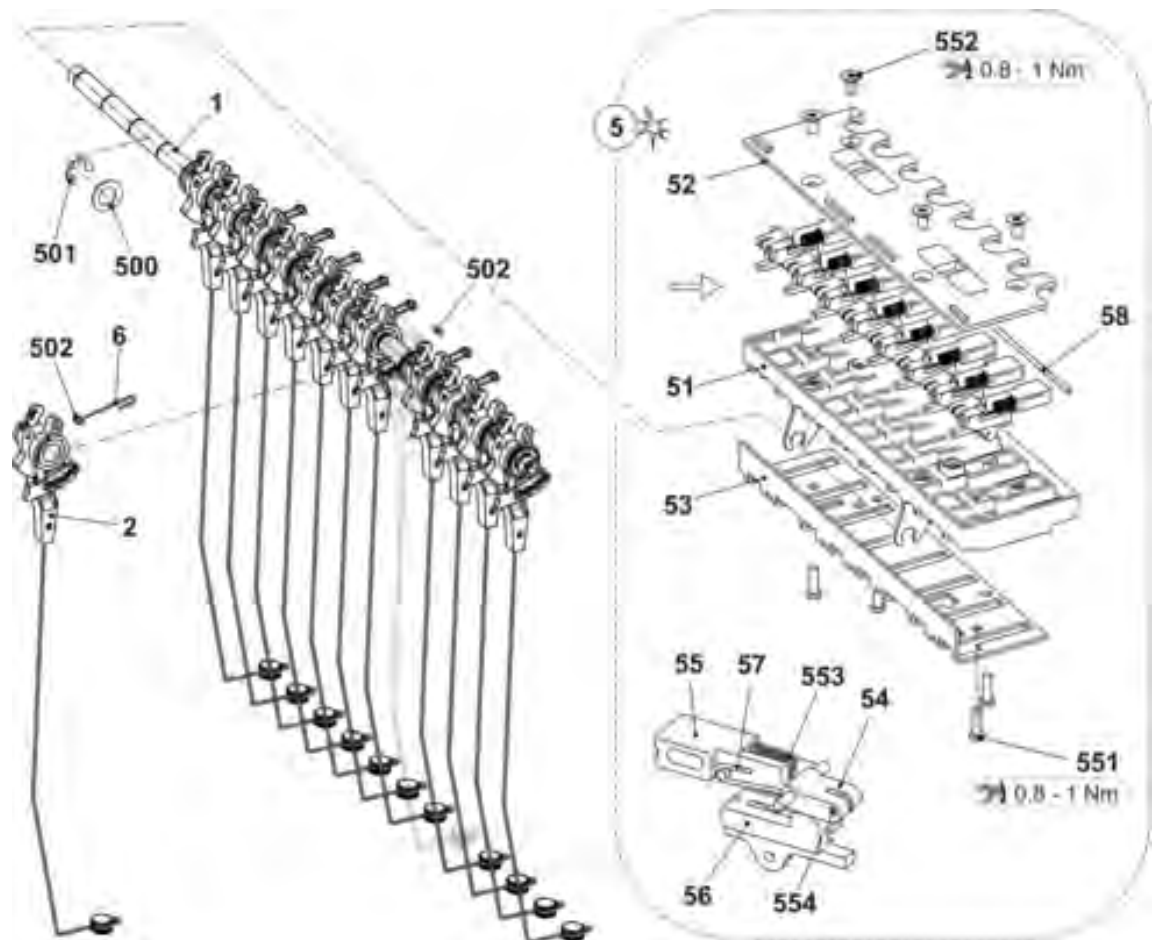
Pos	Designation	ID	Pos	Designation	ID
Σ	Yarn tensioner on the left complete E10-18	241 365			
1	Card yarn tensioner 16-fold on the left	241 345	8	Grounding plate of tension axle	243 121
2	Tension axle on the left complete E10-18	241 381	9	Ground cable yarn tensioner okc	243 105
3	Housing	241 367	500	Screw KB 30x8	236 228
4	Slider	241 694	501	Circlip	021 022
5	Stop point	241 368	502	Tension spring 4,9x0,45x53	023 504
6	Border	242 268	503	Circlip	021 020
7	Spacer	242 048	504	Countersunk screw M4x10	241 914





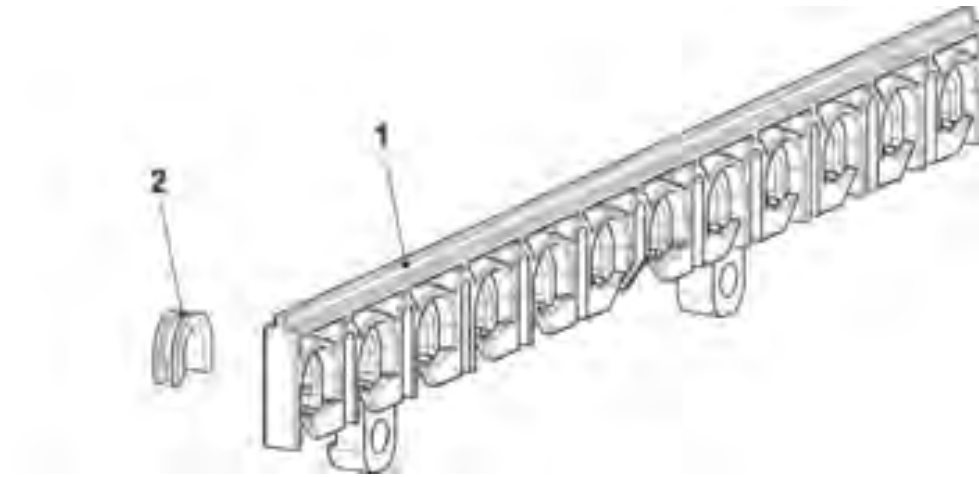
9.2.1.1 Tension axle on the left E10 | E12 | E14 | E16 | E18 | E14/12 | E6.2(12m.10) | E7.2 | E8.2

Pos	Designation	ID	Pos	Designation	ID
Σ	Tension axle on the left complete E10-18	241 381	Σ 5	Thread clamp AKF	238 695
1	Axle	243 107	51	HousingAKF	238 689
2	Tension arm pre-assembledE10-18	258 459	52	Cover AKF	237 926
6	Wire bow	238 694	53	Sheet metal at the bottom (housing AKF)	240 719
500	Shim ring 8x14x0,5	023 501	54	Lever AKF	238 692
501	Circlip	021 022	55	Pressure piece AKF	238 690
502	Grooved pin 2x6	243 172	56	SliderAKF	238 691
			57	Wire bow	238 694
			58	Wire	237 940
			551	Screw KB 35x12	237 681
			552	Screw KB 40x8	236 227
			553	Compression spring0,30x4,50x18,50	241 437
			554	Grooved pin 2x6	243 172



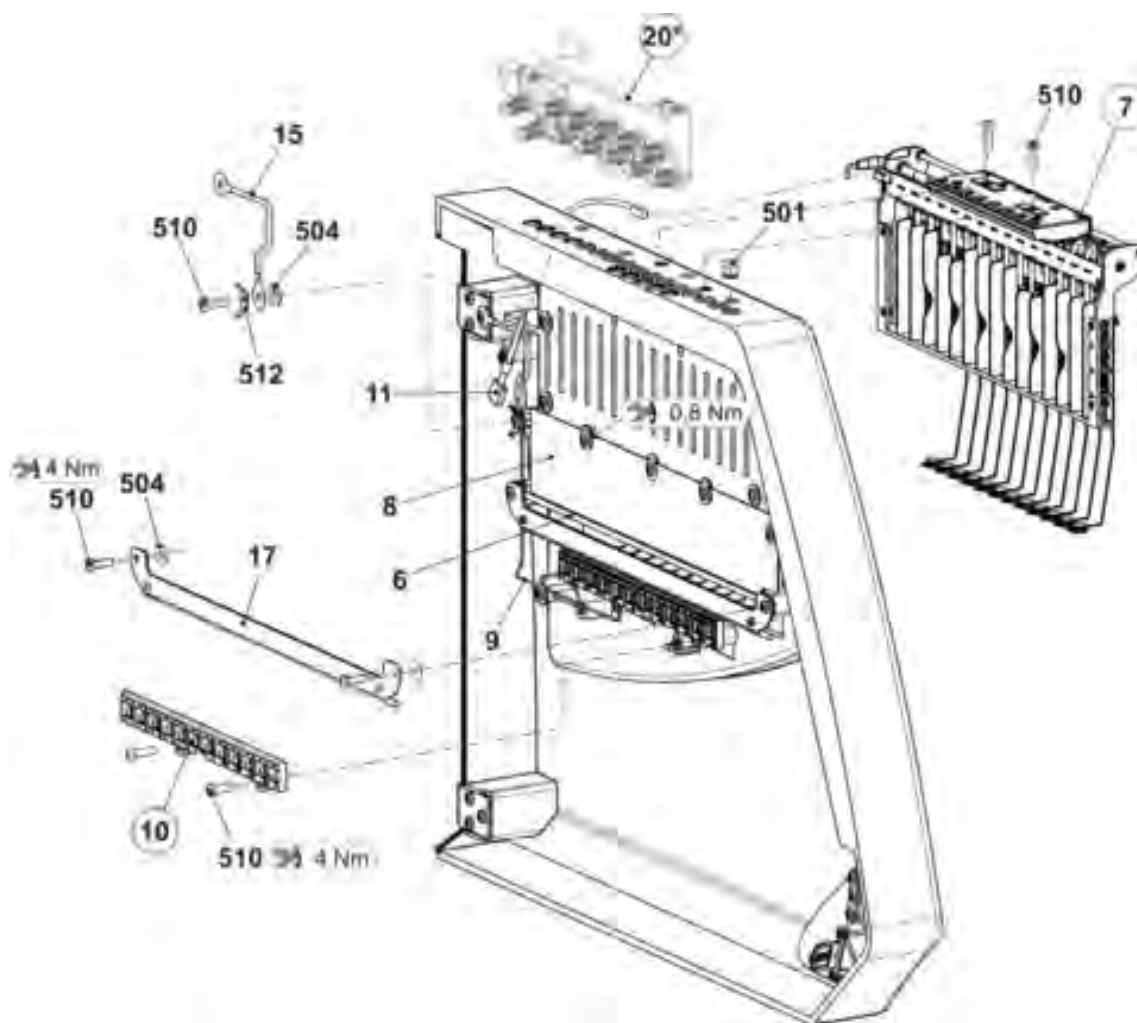
## 9.2.2 Yarn deflector

Pos	Designation	ID		Pos	Designation	ID
Σ	Yarn deflector	242 011				
1	Support of yarn deflector	242 009		2	Ceramic eyelet open	240 733



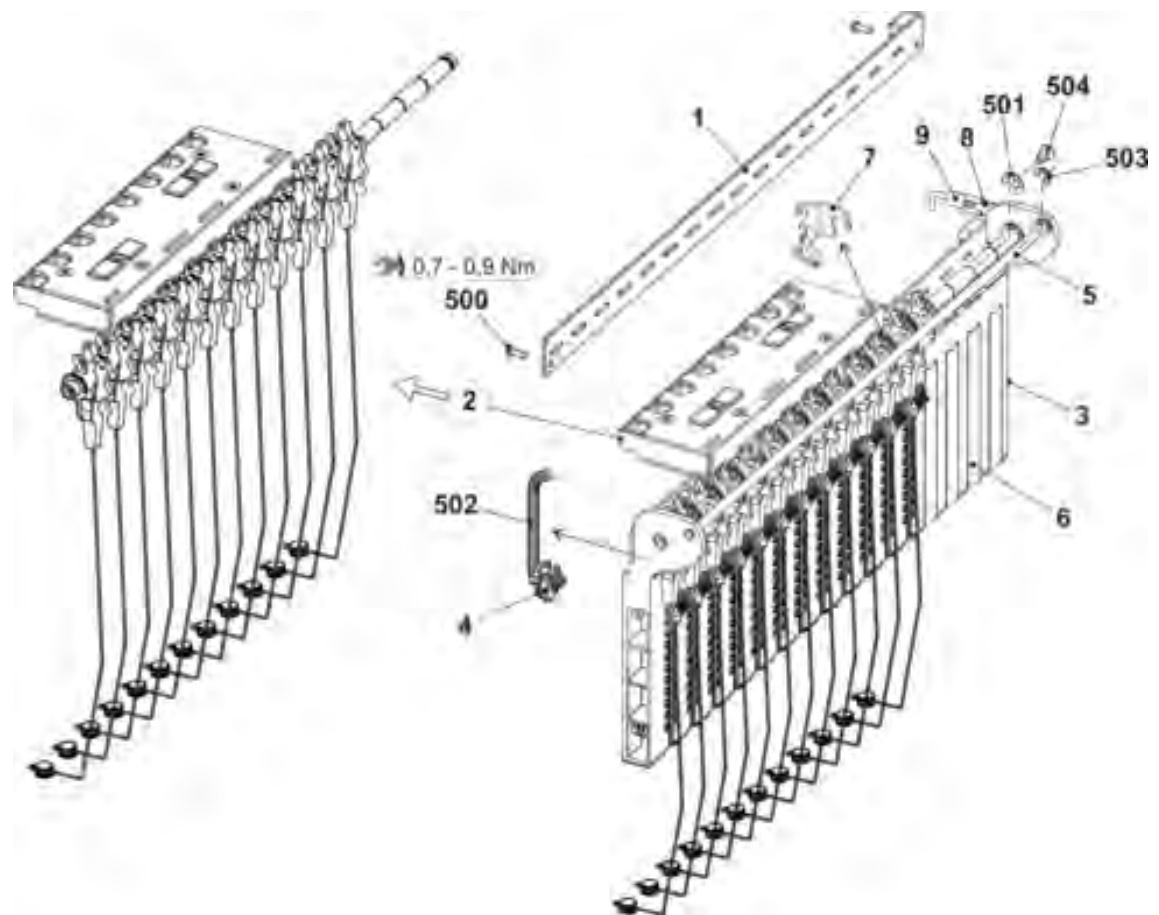
## 9.3 Right yarn guide E12 | E14 | E16 | E18 | E6.2(12m.10 | E7.2 (14/12 | E7.2 | E8.2

Pos	Designation	Id	Pos	Designation	Id
Σ	Safety door on the right complete E10-18	241 276	15	Ground cable	244 404
6	Wave	241 318	17	Stop bar on the right complete	258 562
7	Yarn tensioner on the right complete E10-18	241 384	20*	Stopping device 12-fold on the right complete	260 341
8	Cover plate 16-fold	259 400	501	Ceramic eyelet	240 640
9	Wire bow on the right	241 369	504	Washer6	022 537
10	Yarn deflector	242 011	510	Screw KB 60x20	237 682
11	Connection cable yarn tensionerokc	240 808	512	Flat connector 2x45° M6	243 117



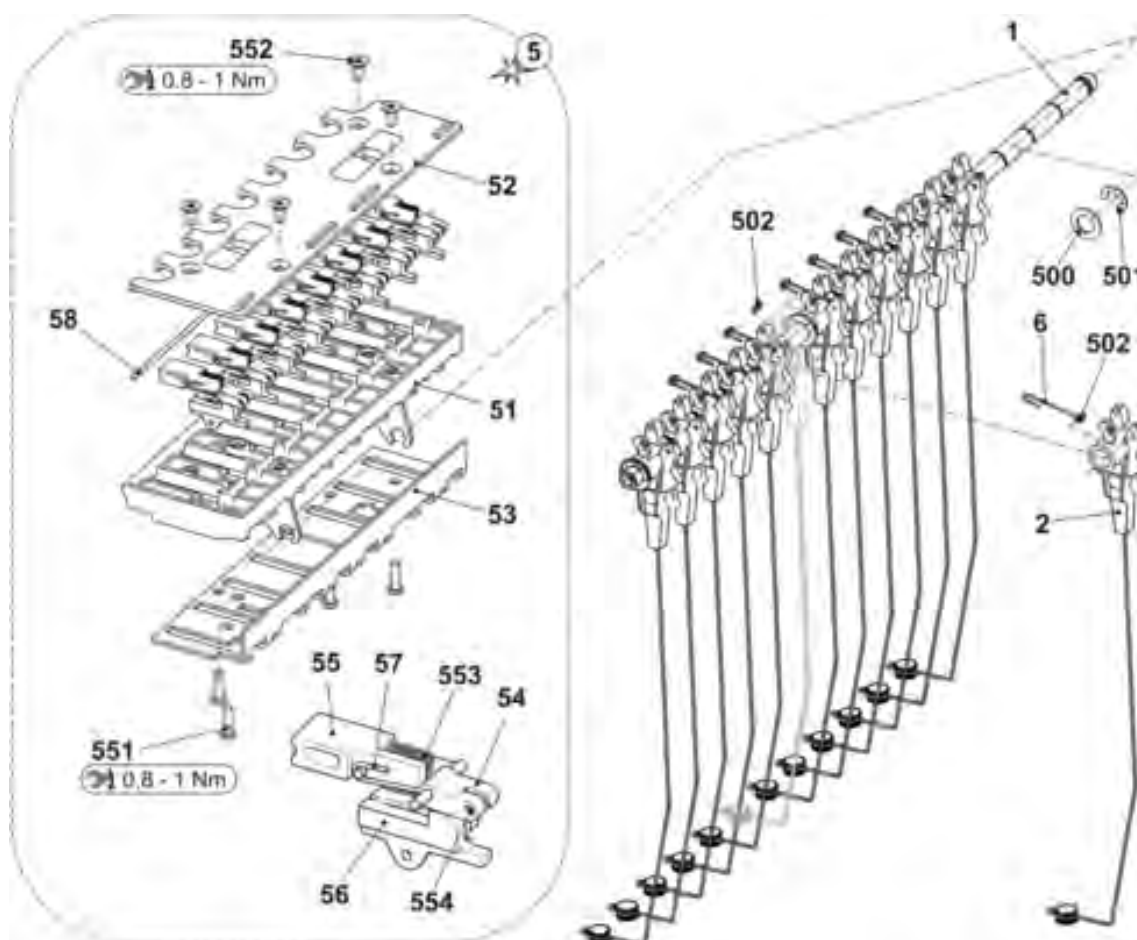
## 9.3.1 Right yarn tensioners E10-18

Pos	Designation	ID	Pos	Designation	ID
Σ	Yarn tensioner on the right complete E10-18	241 384			
1	Card yarn tensioner 16-fold on the right	241 346	8	Grounding plate of tension axle	243 121
2	Tension axle on the right complete	241 380	9	Ground cable yarn tensioner okc	243 105
3	Housing	241 367	500	Screw KB 30x8	236 228
4	Slider	241 694	501	Circlip	021 022
5	Stop point	241 368	502	Tension spring 4,9x0,45x53	023 504
6	Border	242 268	503	Circlip	021 020
7	Spacer	242 048	504	Countersunk screw M4x10	241 914



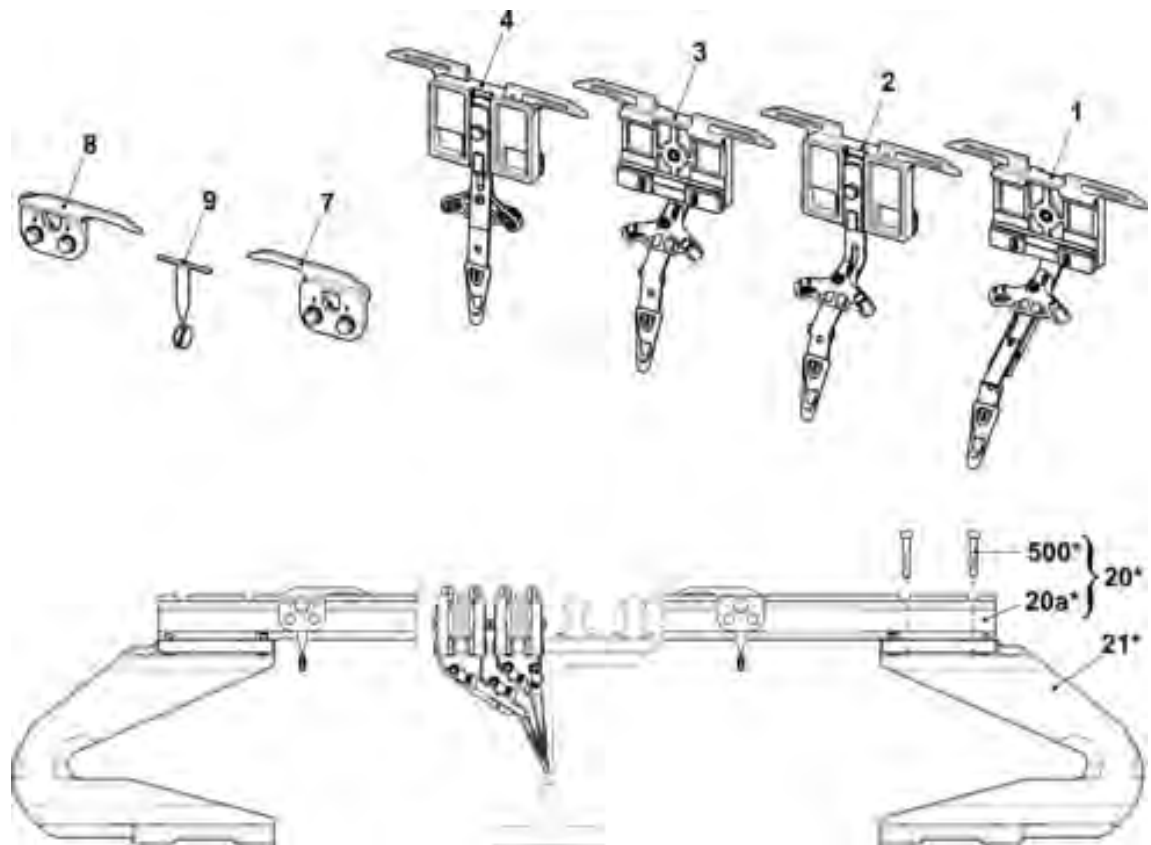
9.3.1.1 Right tension axle E10-18

Pos	Designation	ID	Pos	Designation	ID
Σ	Tension axle on the right completeE10-18	241 380	56	SliderAKF	238 691
1	Axle	243 107	57	Wire bow	238 694
2	Tension arm pre-assembledE10-18	258 459	58	Wire	237 940
6	Wire bow	238 694	551	Screw KB 35x12	237 681
5	Thread clamp AKF	238 695	552	Screw KB 40x8	236 227
	51 HousingAKF	238 689	553	Compression spring 0,30x4,50x18,50	241 437
	52 Cover AKF	237 926	554	Grooved pin 2x6	243 172
	53 Sheet metal at the bottom (housing AKF)	240 719	500	Shim ring 8x14x0,5	023 501
	54 Lever AKF	238 692	501	Circlip	021 022
	55 Pressure piece AKF	238 690	502	Grooved pin 2x6	243 172



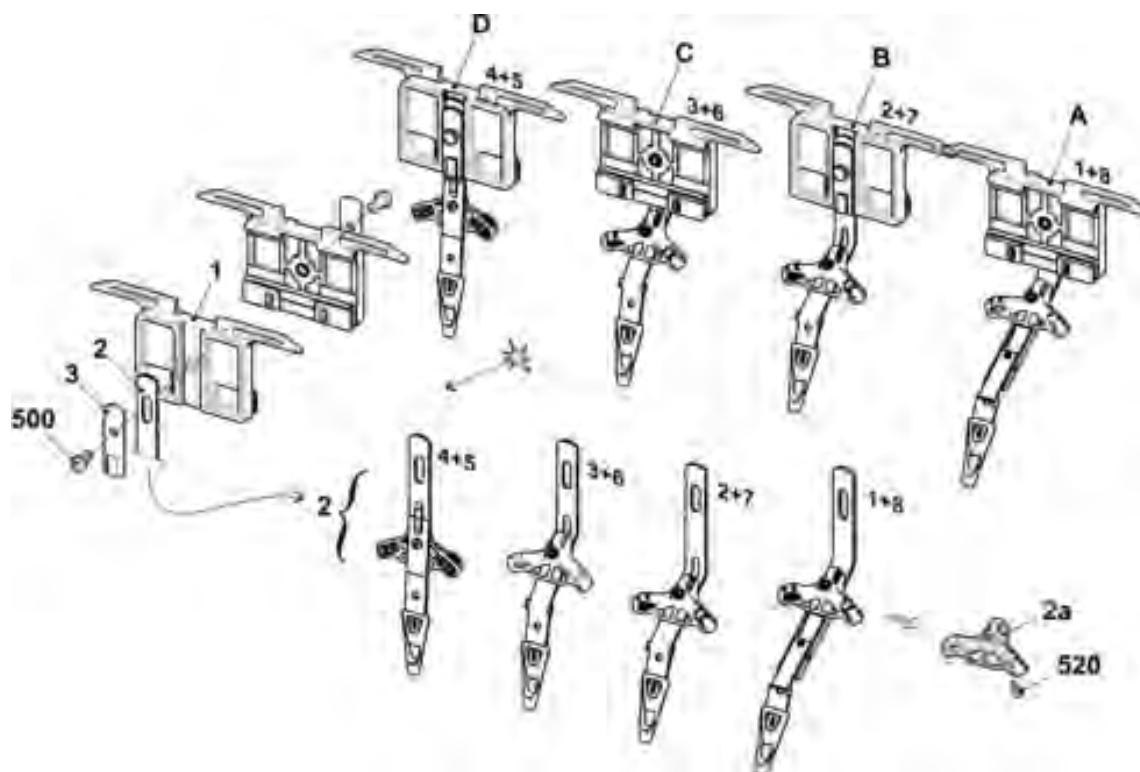
## 9.4 Yarn carrier and guide rails

Pos	Designation	Id	Pos	Designation	Id
Σ	Yarn guide complete				
	E3,5.2   E5.2	256 542	E7.2 + E9.2		
	E6.2	256 543	1	YC carriage 1+8 complete	256 553
	E7.2   E9.2	256 544	2	YC carriage 2+7 complete	256 554
E3,5.2 + E5.2			3	YC carriage 3+6 complete	256 555
1	YC carriage 1+8 complete	256 545	4	YC carriage 4+5 complete	256 556
2	YC carriage 2+7 complete	256 546	7	Limiter on the right complete	244 098
3	YC carriage 3+6 complete	256 547	8	Limiter on the left complete	244 099
4	YC carriage 4+5 complete	256 548	9	Slider with eyelet	230 709
E6.2			20*	Bar unit	244 101
1	YC carriage 1+8 complete	256 549	20a*	Yarn carrier rail	218 665
2	YC carriage 2+7 complete	256 550	500*	Cap screw M6X35	020 139
3	YC carriage 3+6 complete	256 551	21*	YC support	236 501
4	YC carriage 4+5 complete	256 552			



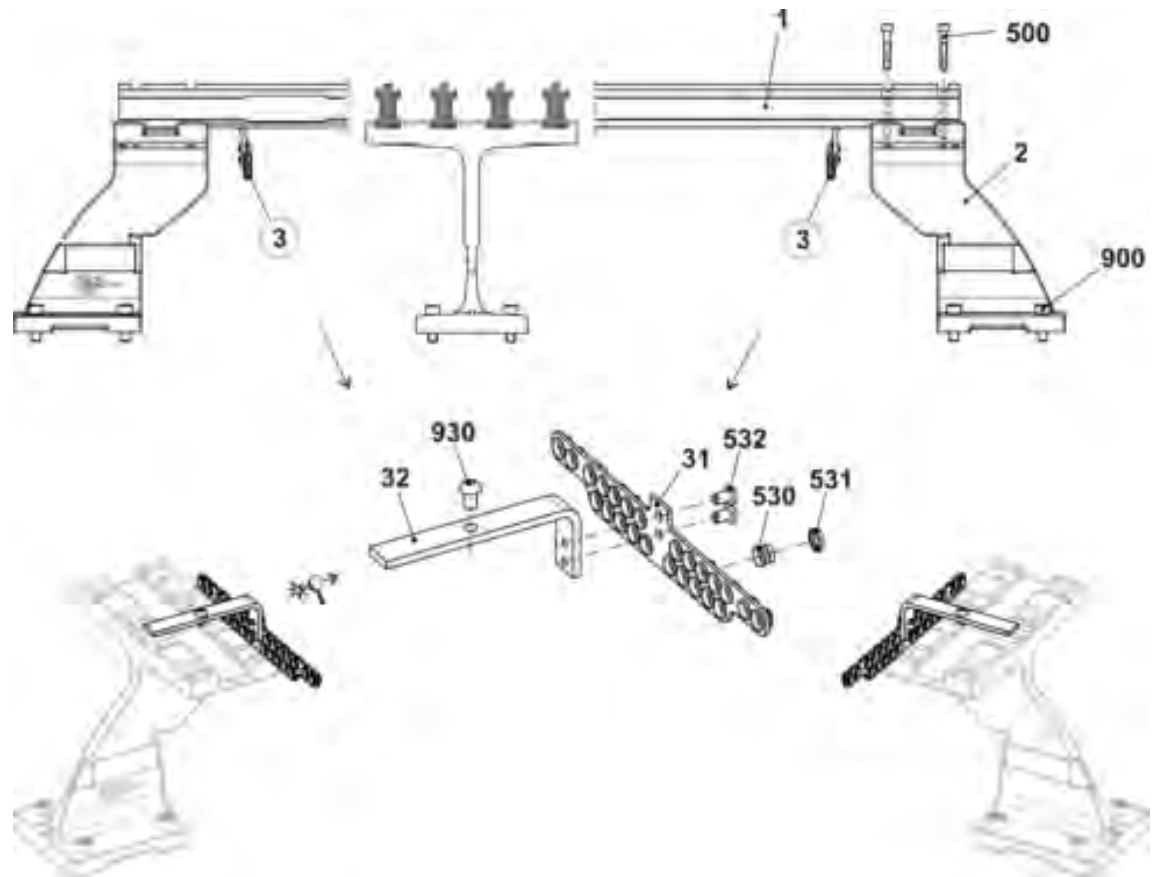
## 9.5 Carriage of yarn carrier

Pos	Designation	Id	Pos	Designation	Id
A	YC carriage 1+8 complete E3,5.2   E5.2	256 545	2	YC bow 1+8 complete E3,5.2   E5.2	240 542
B	YC carriage 2+7 complete E3,5.2   E5.2	256 546		YC bow 2+7 complete E3,5.2   E5.2	240 543
C	YC carriage 3+6 complete E3,5.2   E5.2	256 547		YC bow 3+6 complete E3,5.2   E5.2	240 544
D	YC carriage 4+5 complete E3,5.2   E5.2	256 548		YC bow 4+5 complete E3,5.2   E5.2	240 545
A	YC carriage 1+8 complete E6.2	256 549		YC bow 1+8 complete E6.2	240 538
B	YC carriage 2+7 complete E6.2	256 550		YC bow 2+7 complete E6.2	240 539
C	YC carriage 3+6 complete E6.2	256 551		YC bow 3+6 complete E6.2	240 540
D	YC carriage 4+5 complete E6.2	256 552		YC bow 4+5 complete E6.2	240 541
A	YC carriage 1+8 complete E7.2   E9.2	256 553		YC carriage 1+8 complete E7.2   E9.2	240 354
B	YC carriage 2+7 complete E7.2   E9.2	256 554		YC carriage 1+8 complete E7.2   E9.2	240 330
C	YC carriage 3+6 complete E7.2   E9.2	256 555		YC carriage 3+6 complete E7.2   E9.2	240 331
D	YC carriage 4+5 complete E7.2   E9.2	256 556		YC carriage 4+5 complete E7.2   E9.2	240 332
1	YC carriage complete	256 069	2a	Yarn guide star	242 013
3	Shim 0,03x11x80	213 035	520	Pan-head screw M3x10	023 032
500	Hexagonal screw M5x10	020 351			



## 9.6 Bar unit

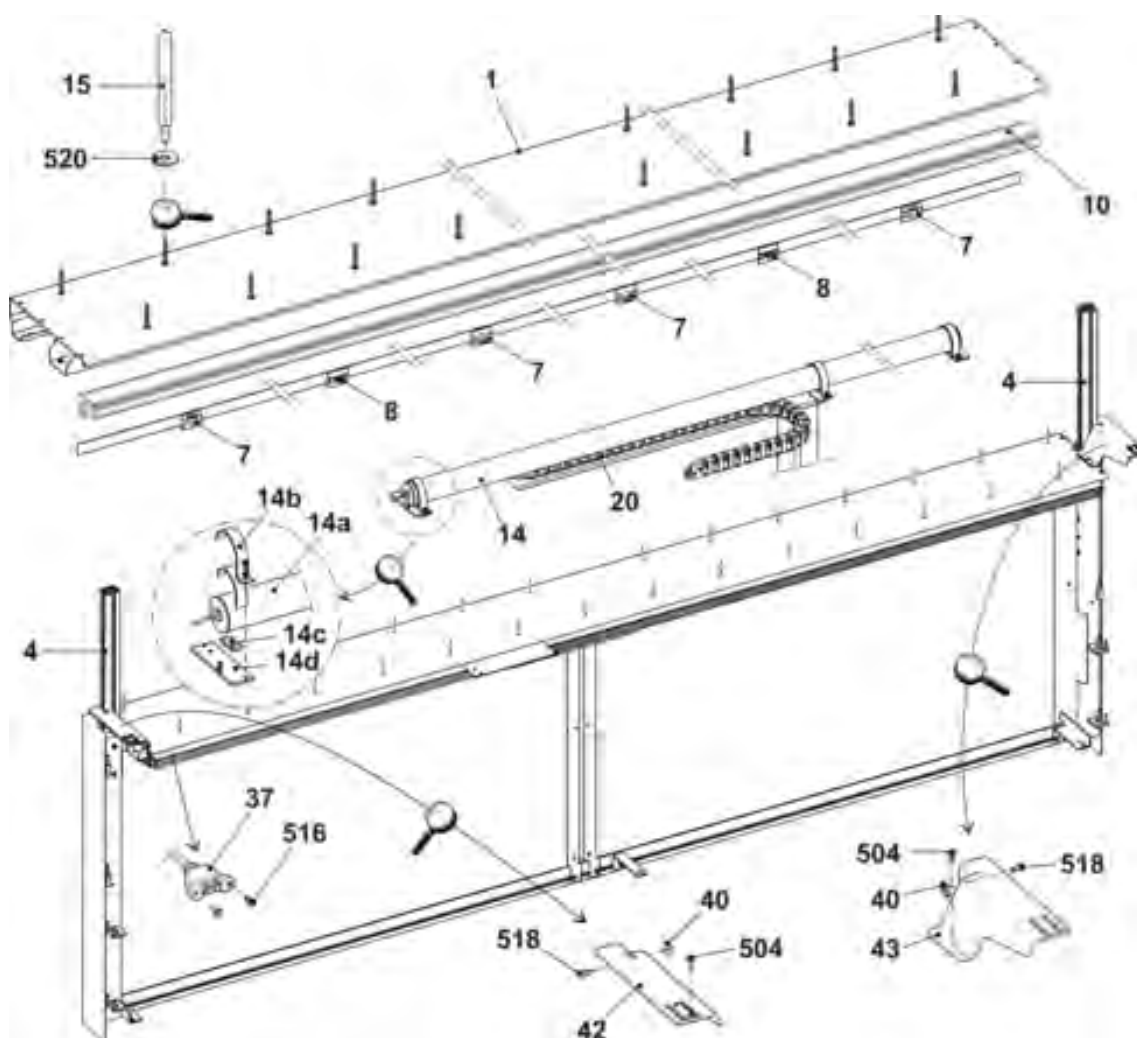
Pos	Designation	ID	Pos	Designation	ID
Σ	Bar unit	250 971	530	Eyelet 4,2	021 502
1	Yarn carrier rail	255 464	531	Clamping ring	259 606
2	FF support	252 010	532	Pan-head screw M5x8	239 408
3	Yarn guide bracket complete	259 403	930	Pan-head screw M6x10	023 183
	31	Eyelet holder complete	500	Cap screw M6x35	020 139
	32	Holding angle	900	Cap screw M8x25	020 142





## 9.7 Bobbin board

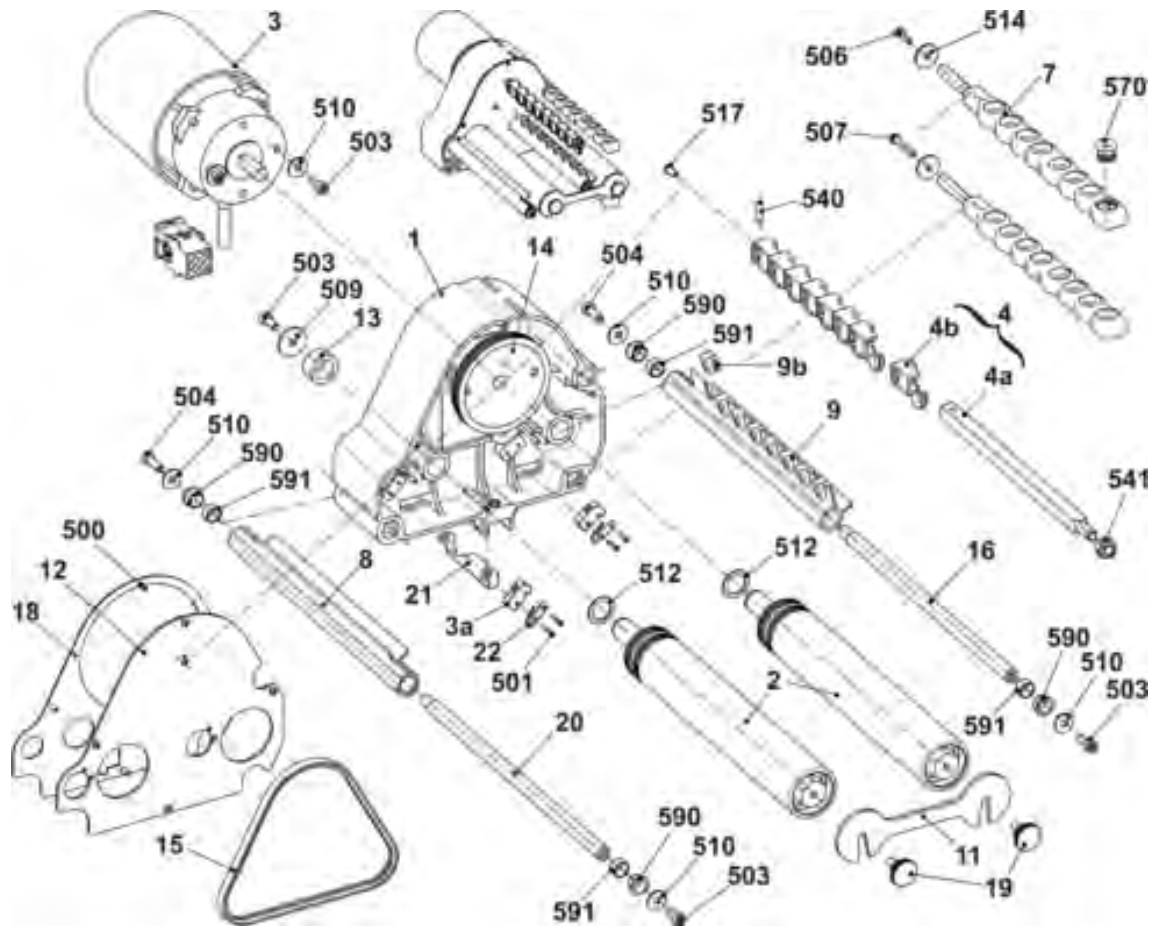
Pos	Designation	ID	Pos	Designation	ID	
Σ	Table complete 84" (E3 )	240 681				
1	Table	251 246	15	Positioning pin	204 819	
4	Support element	228 594	20	Energy chain display 38 links	253 888	
7	Magnet switch safety door	219 983	37	Cable USB extension84 okc	243 070	
8	Magnet switch safety door	220 159	40	Slot nut	228 851	
10	Guide rail at the top complete	240 684	42	Support of left feed wheel	250 966	
14	Lamp at the top complete	236 693	43	Support of right feed wheel	250 967	
	14a	Long light RL60V - 230 V	504	Pan-head screw M8x16	023 113	
	14b	Clamping bow	209 504	516	Pan-head screw M3x8	023 251
	14c	Cellular caoutchouc 40x20	208 018	518	Pan-head screw M8x18	251 331
	14d	Lamp support	221 951	520	Washer	020 901



9.8 Left friction feed wheel

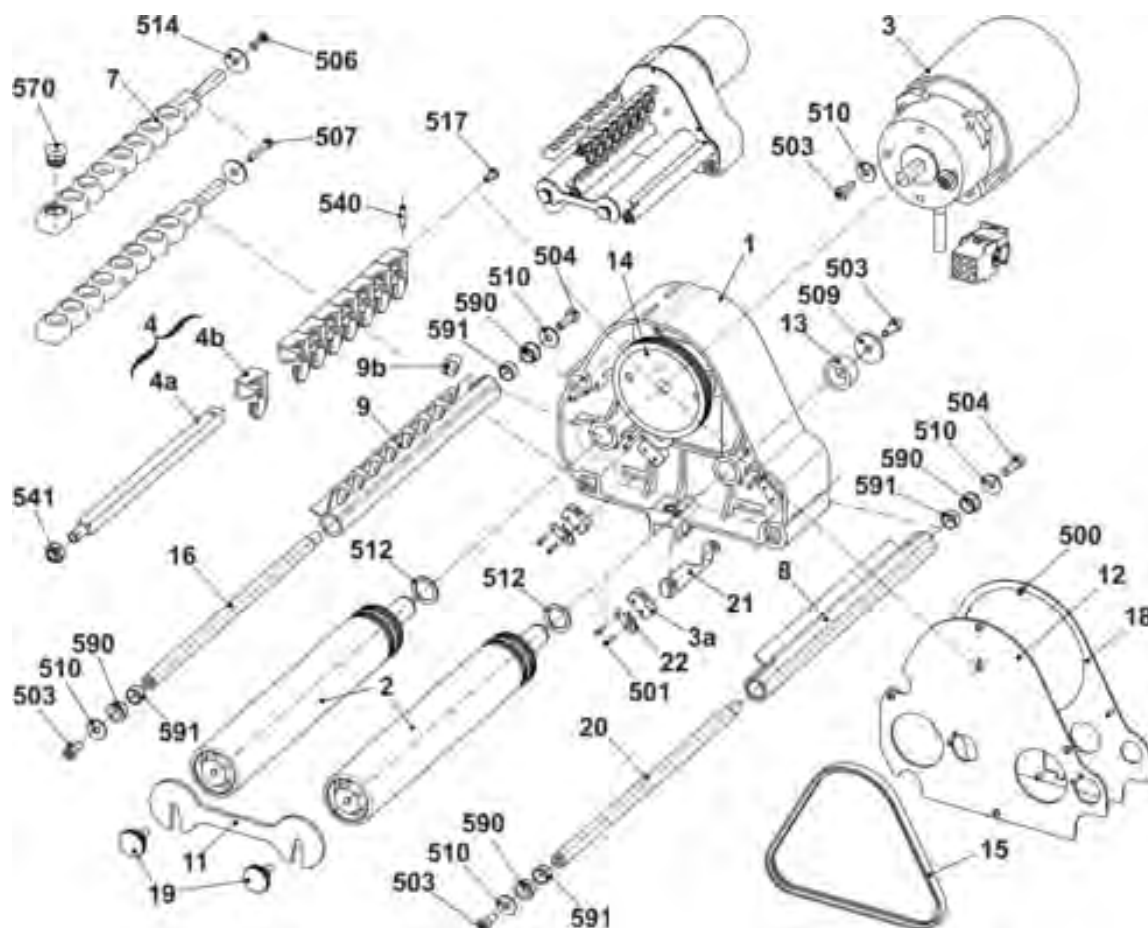
## 9.8 Left friction feed wheel

Pos	Designation	Id	Pos	Designation	Id
Σ	Friction feed wheel on the left complete	243 571	14	V-ribbed belt pulley	221 268
1	Housing	240 368	15	Ribbed V-belt V3J 406	206 927
2	Friction roller complete	231 704	16	Rod	221 319
3	Three-phase AC motor complete	219 800	18	Cover	230 758
3a	Microswitch	008 664	19	Knurled screw	223 361
4	Deflector complete 8-fold	250 089	20	Rod	230 658
4a	Support rail	250 055	21	Grounding plate	256 622
4b	Eyelet holder complete	250 077	22	Spring plate	256 702
540	Spring dowel sleeve 4x15	020 783	500	Screw KB30x8	236 228
541	Hexagon nut M8-8	022 843	501	Screw 20x10	244 736
7	Yarn guide rod complete	239 431	503	Cap screw M5x12	020 132
570	Eyelet 8	021 504	504	Cap screw M5x16	022 726
8	Stop motion rail on the right complete	230 690	506	Screw KB 40x14	241 358
9	Stop motion rail on the left complete with eyelets	230 683	507	Screw KB 40x25	241 595
9b	Eyelet	230 662	509	Washer5,3x22x2,5	023 219
590	Slide bearing	023 627	510	Washer5	020 901
591	Guide piece	259 453	512	Shim ring 15x21x1	023 216
11	Bracket	221 316	514	Washer4,3	020 908
12	Cover	251 098	517	Pan-head screw M4x8	023 579
13	Bush	221 391			



## 9.9 Right friction feed wheel

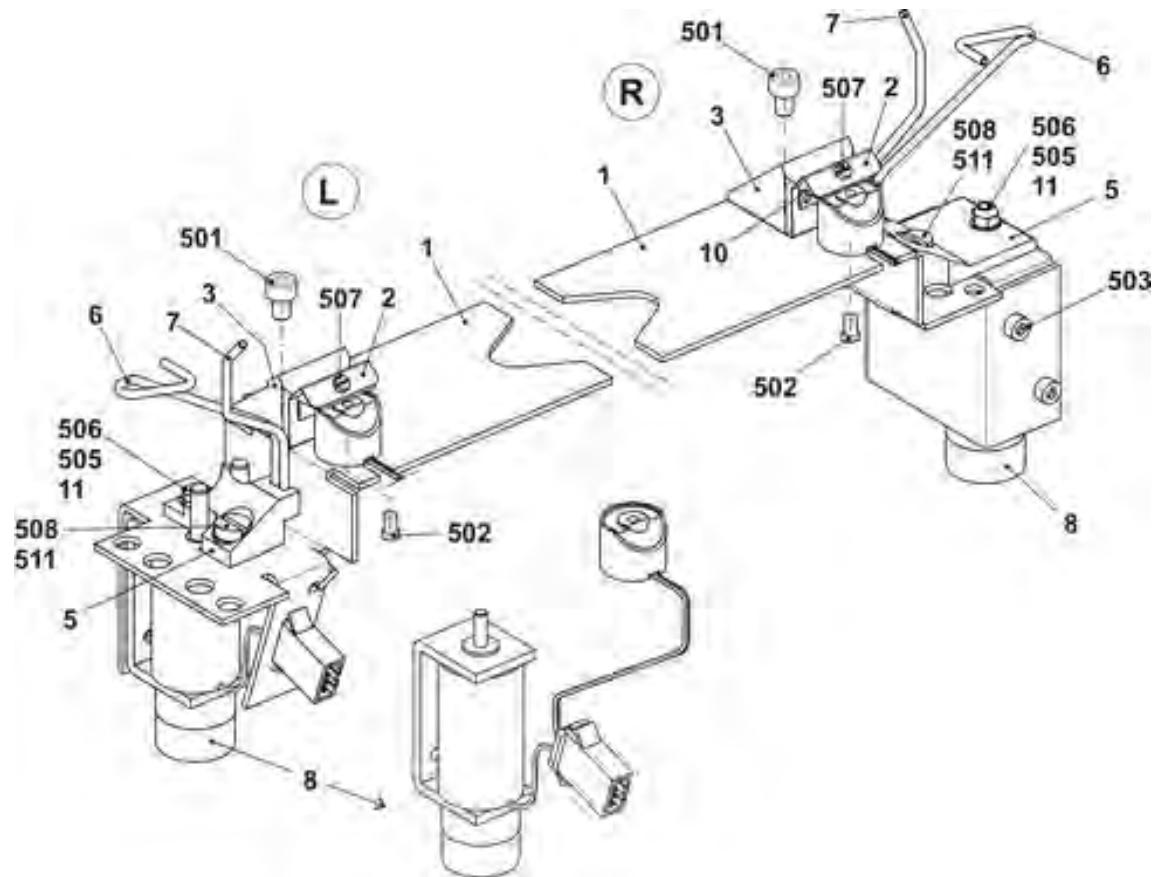
Pos	Designation	Id	Pos	Designation	Id
Σ	Friction feed wheel on the right complete	243 572	14	V-ribbed belt pulley	221 268
1	Housing	240 368	15	Ribbed V-belt V3J 406	206 927
2	Friction roller complete	231 704	16	Rod	221 319
3	Three-phase AC motor complete	219 800	18	Cover	230 758
3a	Microswitch	008 664	19	Knurled screw	223 361
4	Deflector complete 8-fold	250 089	20	Rod	230 658
4a	Support rail	250 055	21	Grounding plate	256 622
4b	Eyelet holder complete	250 077	22	Spring plate	256 702
540	Spring dowel sleeve 4x15	020 783	500	Screw KB30x8	236 228
541	Hexagon nut M8-8	022 843	501	Screw 20x10	244 736
7	Yarn guide rod complete	239 431	503	Cap screw M5x12	020 132
570	Eyelet 8	021 504	504	Cap screw M5x16	022 726
8	Stop motion rail on the right complete	230 690	506	Screw KB 40x14	241 358
9	Stop motion rail on the right complete with eyelets	230 682	507	Screw KB 40x25	241 595
9b	Eyelet	230 662	509	Washer5,3x22x2,5	023 219
590	Slide bearing	023 627	510	Washer5	020 901
591	Guide piece	259 453	512	Shim ring 15x21x1	023 216
11	Bracket	221 316	514	Washer4,3	020 908
12	Cover	251 098	517	Pan-head screw M4x8	023 579
13	Bush	221 391			



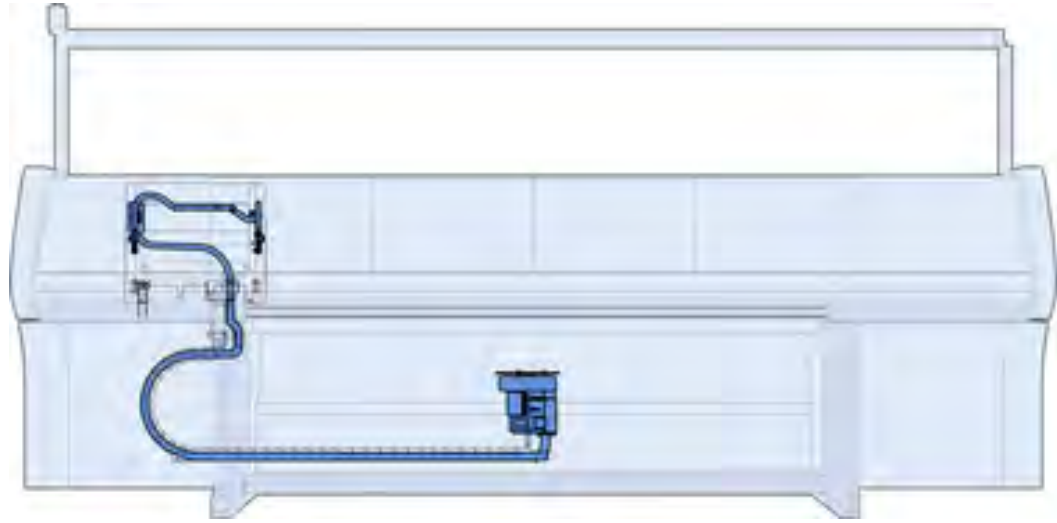
## 9.10 Thread clamp

## 9.10 Thread clamp

Pos	Designation	Id	Pos	Designation	Id
Σ (L)	Yarn guide system on the left complete	236 115			
Σ (R)	Yarn guide system on the right complete	236 116	8(R)	Magnet system on the right	241 886
1(L)	Cover on the left	235 817	10	Slide	236 292
1(R)	Cover on the right	235 391	11	Distance bushing	236 544
2	Leaf spring	236 276	501	Cap screw M4X6	023 067
3	Clamping part	235 616	502	Cap screw M3X6	023 671
5(L)	Holding piece on the left	235 803	503	Cap screw M3X5	023 496
5(R)	Holding piece on the right	235 711	505	U-washer 3	022 806
6(L)	Yarn guide bow on the left	235 515	506	Hexagon nut M3	020 831
6(R)	Yarn guide bow on the right	235 515	507	Cap screw M2x4	023 624
7	Yarn guide bow at the rear	235 530	508	Cap screw M4x8	020 122
8(L)	Magnet system on the left	241 890	511	U-washer 4	022 481

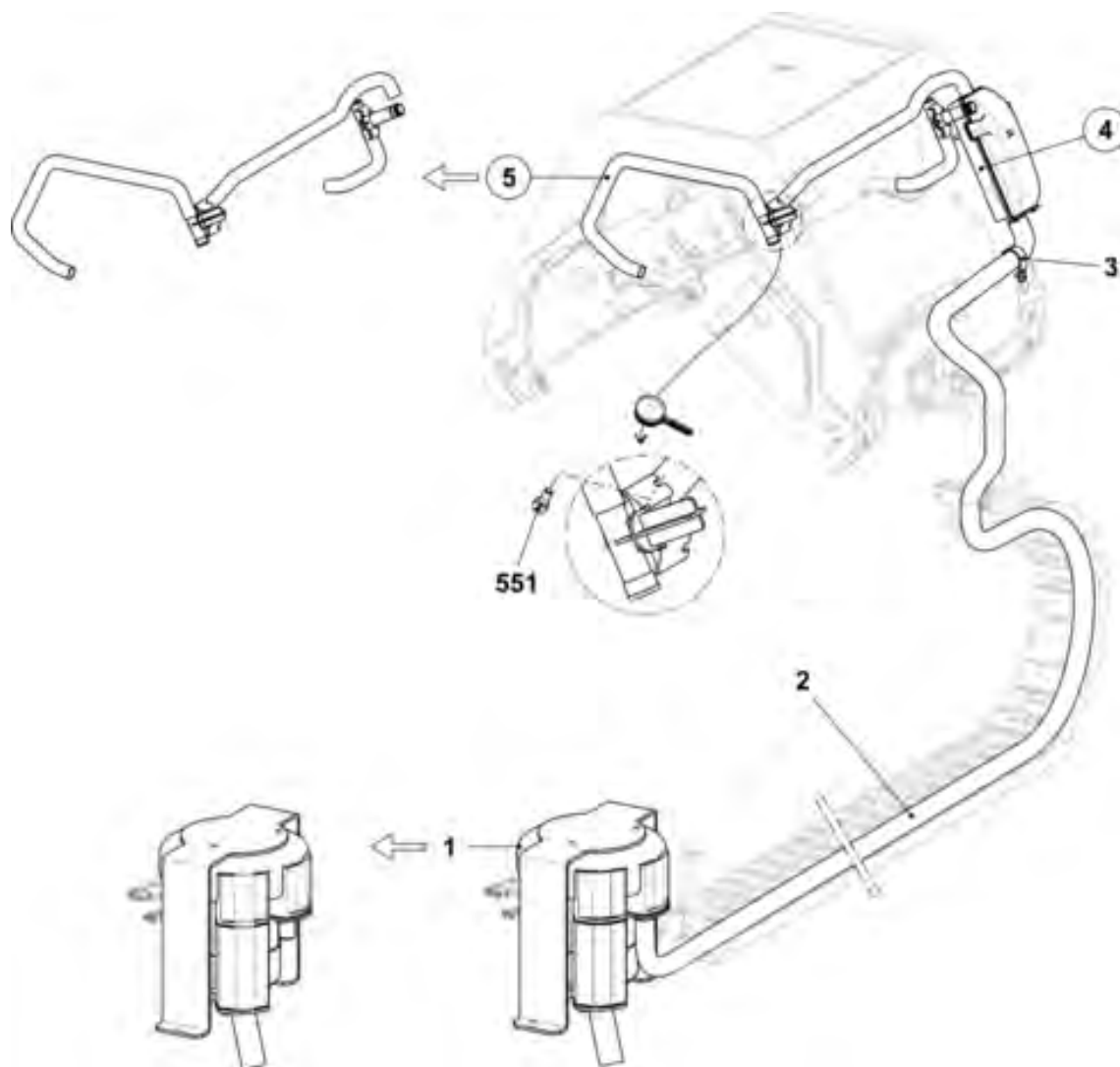


# 10 Fluff absorption



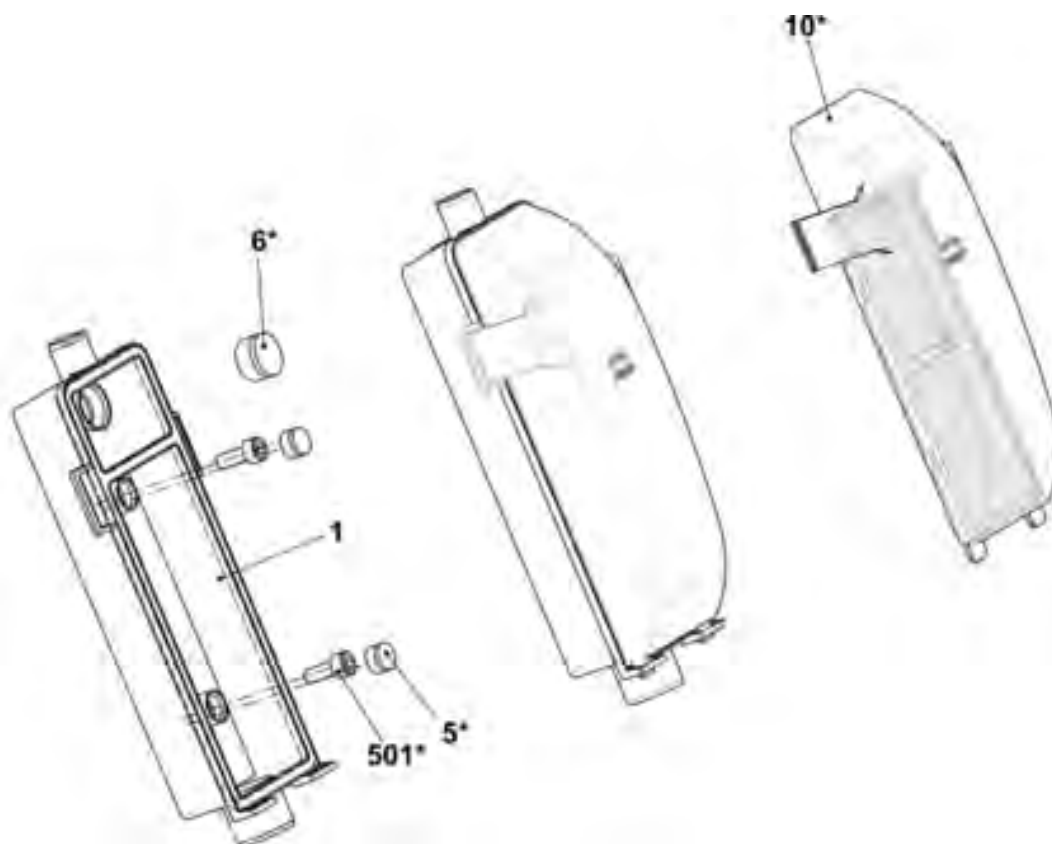
## 10.1 Fluff absorption

Pos	Designation	Id	Pos	Designation	Id
Σ	Fluff absorption				
1	Suction fan complete	251 332	4	Lint container	245 024
2	Suction hose 29x25x3350	251 328	5	Set of tubes complete 730S	251 354
3	Hose fitting	214 653	551	Cap screw M4x8	022 501



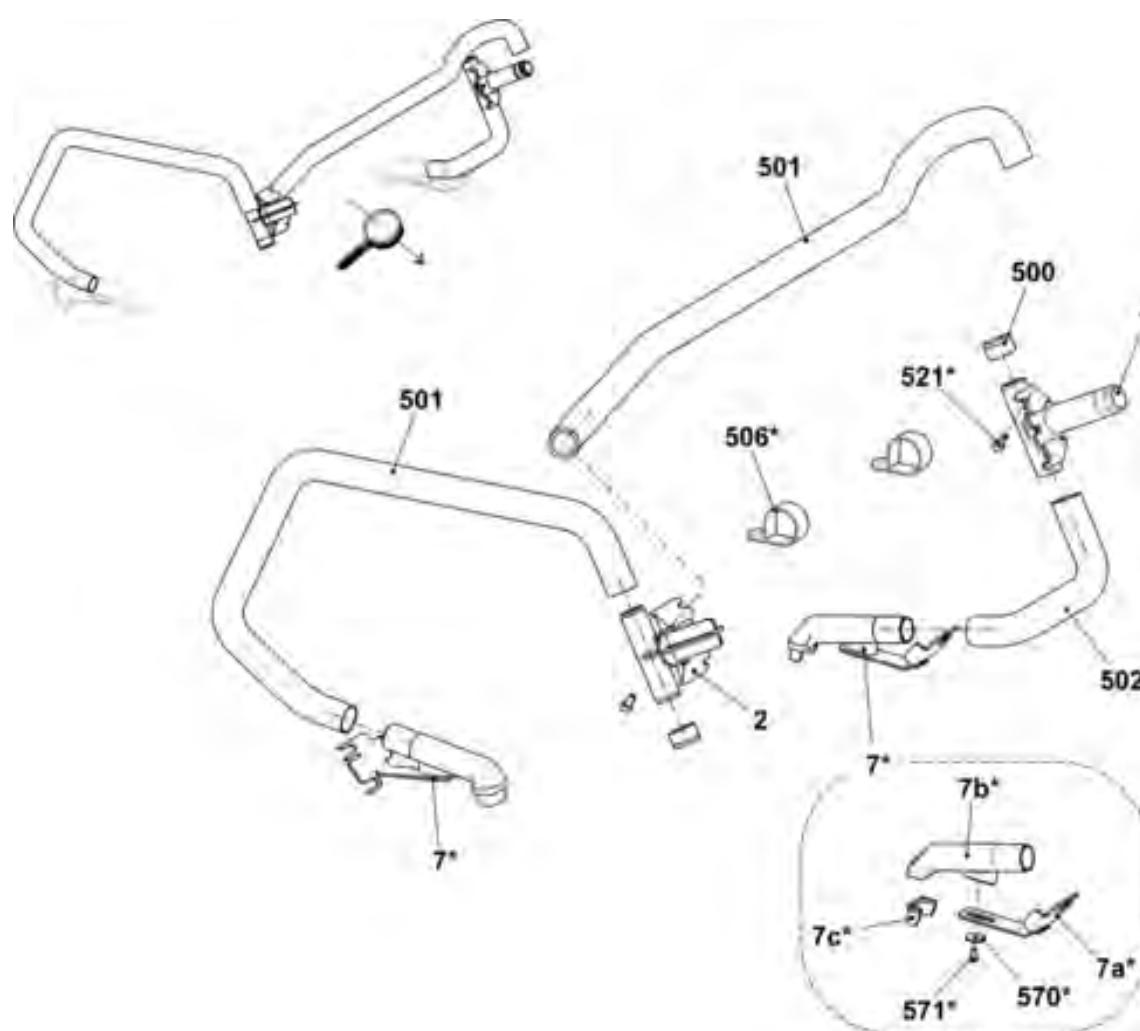
## 10.2 Lint container

Pos	Designation	Id	Pos	Designation	Id
Σ	Lint container		6*	Sealing plug	245 029
1	Lint container	245 024	10*	Cover with filter	251 335
5*	Sealing plug	245 028	501*	Cap screw M6x10	023 690



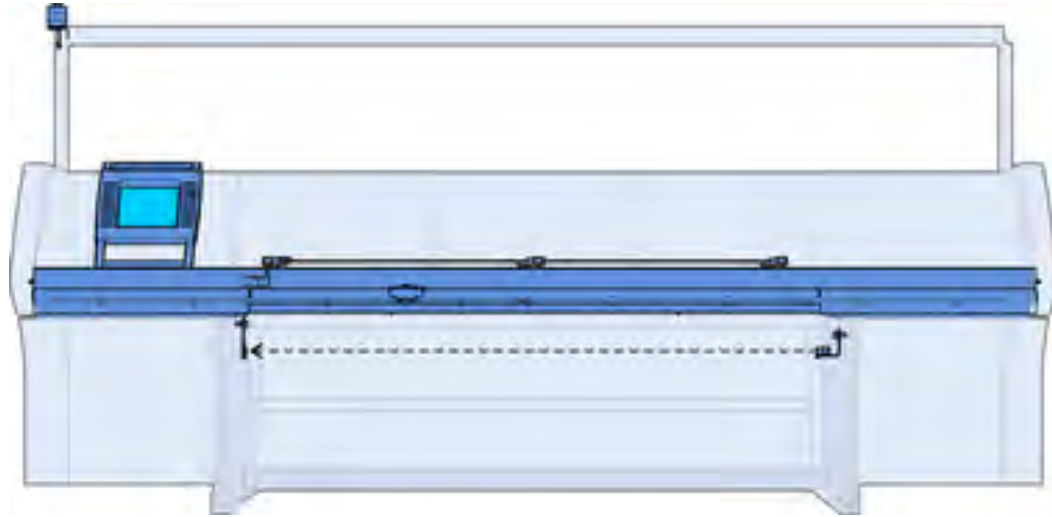
## 10.3 Hose set

Pos	Designation	Id	Pos	Designation	Id	
Σ	Set of tubes complete 730S	251 354				
1	T-piece FLENT	245 021	7*	Suction tube complete	241 596	
2	Connection piece Flent	245 022		7a*	Support	254 001
500	Sealing plug	245 029		7b*	Suction tube	241 625
501	Suction hose 20x16x570	251 044		7c*	Brush	254 009
502	Suction hose 20x16x140	251 353		570*	Disk 3.2x12x1	020 892
506*	Cable clip	250 051		571*	Screw KB30x6	241 424
521*	Cap screw M4x8	022 501				



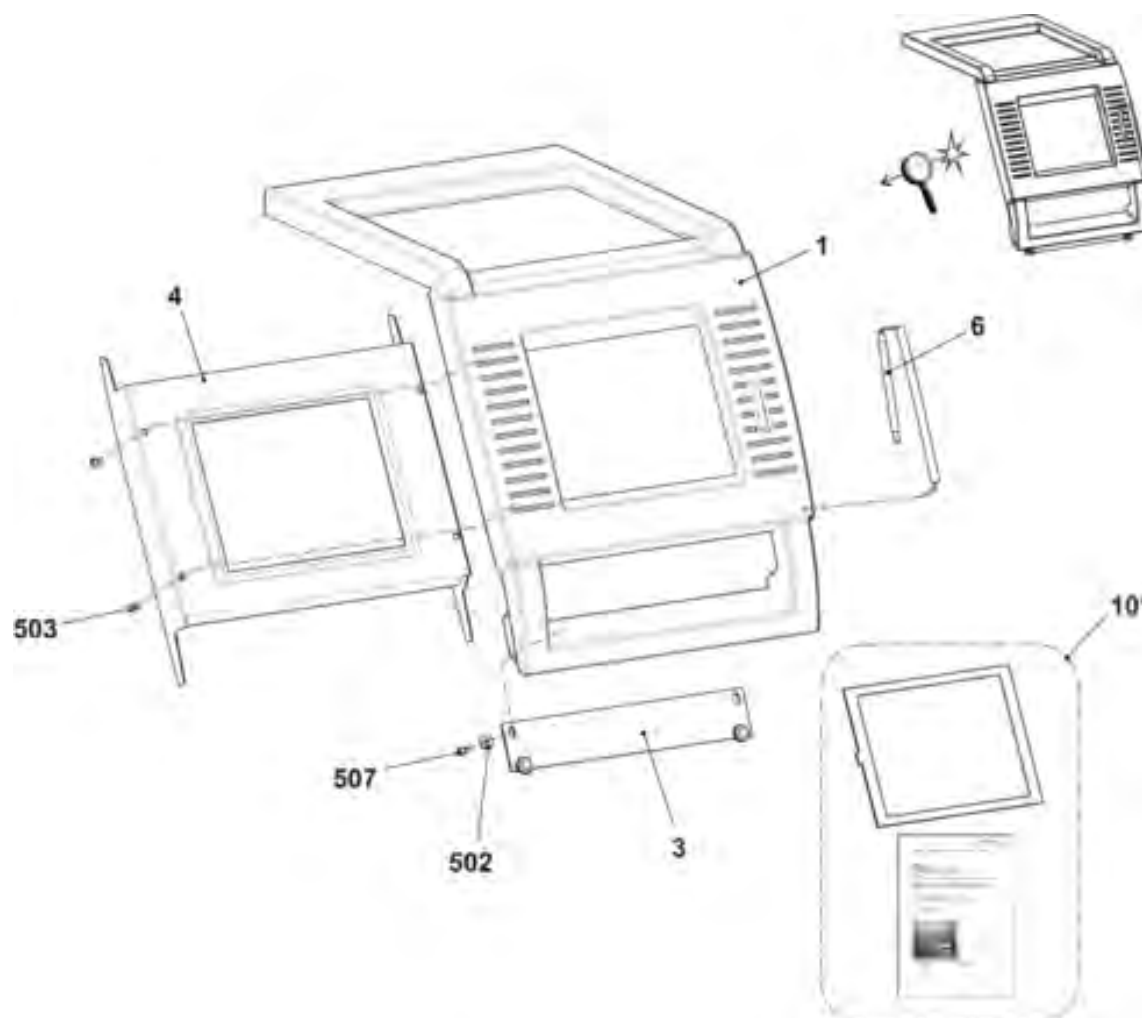


# 11 Operation and control



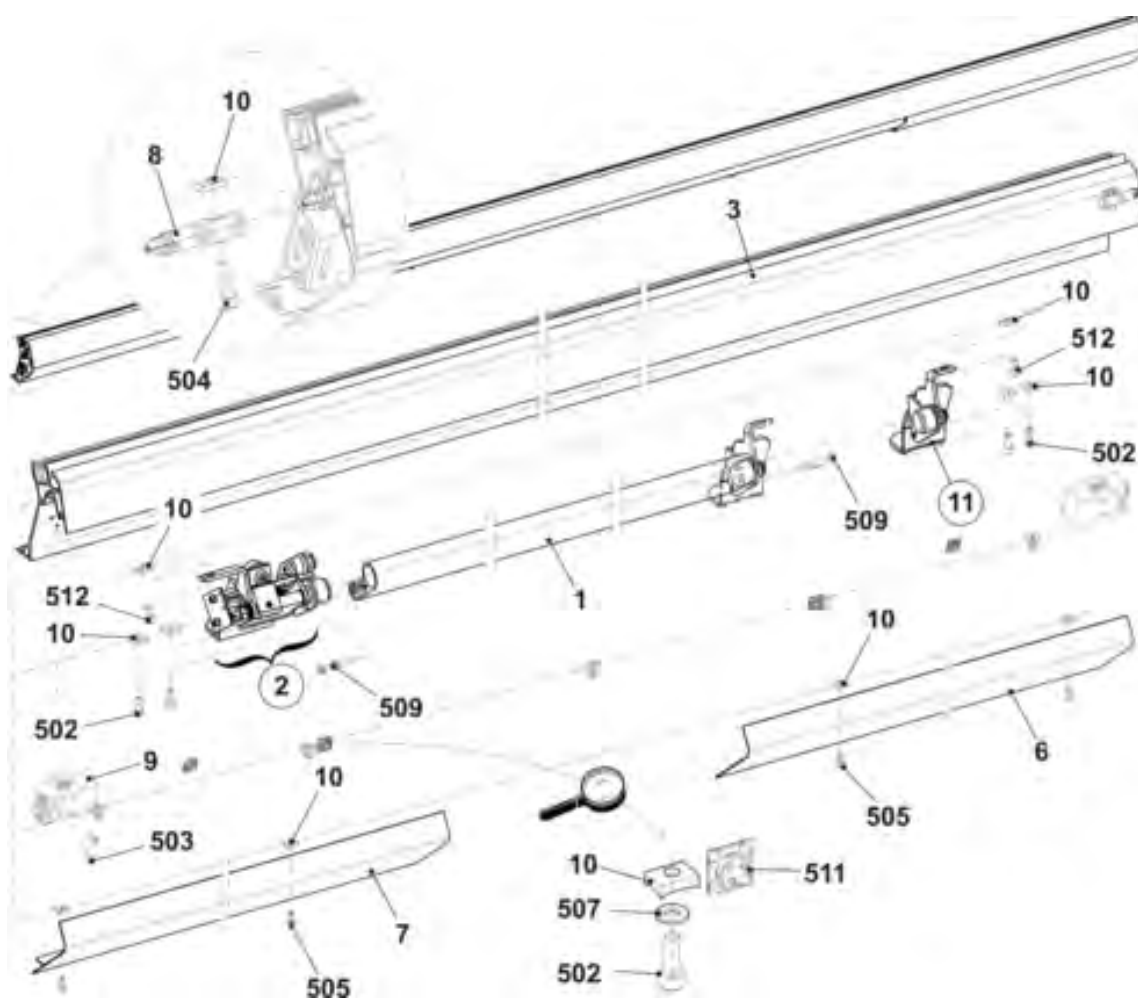
## 11.1 Input unit

Pos	Designation	Id		Pos	Designation	Id
Σ	Input unit complete	240 194				
1	Base frame	240 195		10*	Touch panel spare parts package	244 554
3	Bearing strip complete	240 198		502	Washer	020 901
4	Display touch complete	250 298		503	Screw KB 50x12	240 359
6	Touch pen	242 812		507	Screw KB 50x15	251 728



## 11.2 Starting device

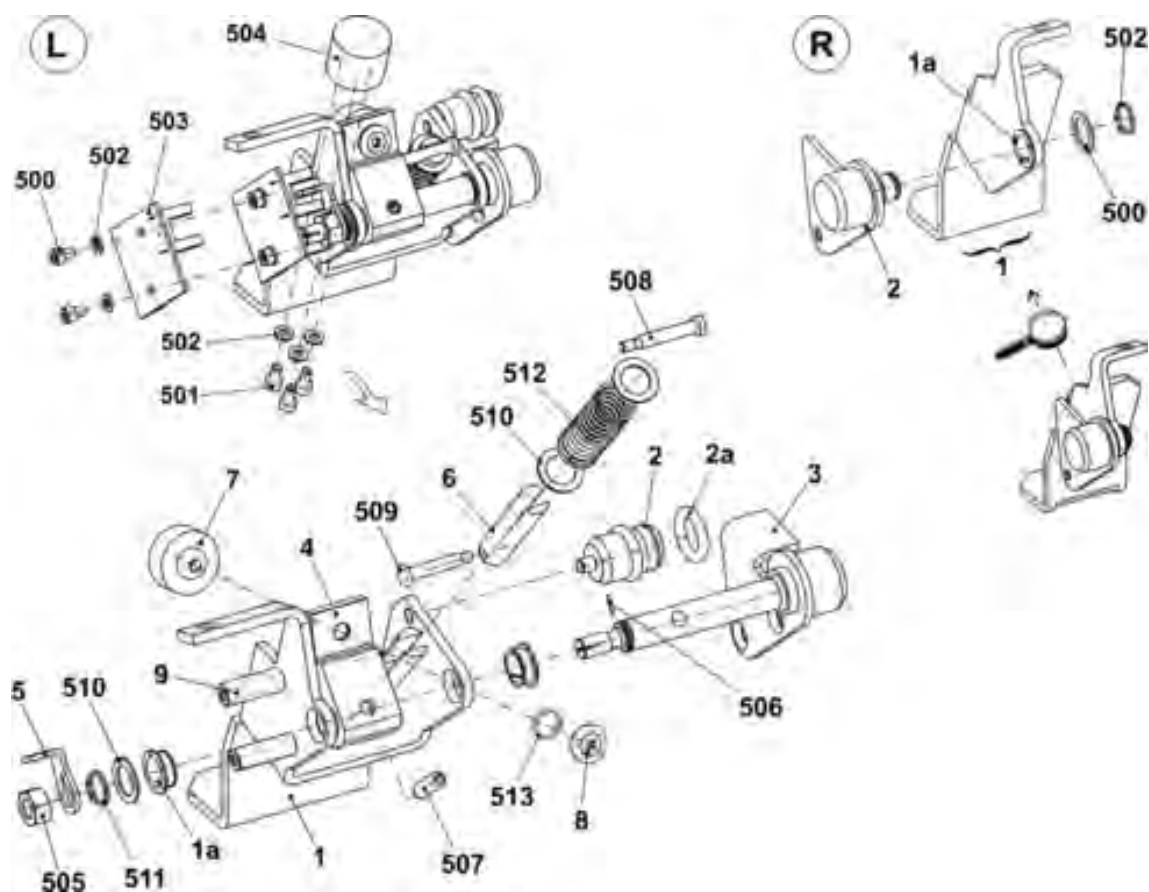
Pos	Designation	ID	Pos	Designation	ID
Σ	Starting device complete	241 039	11	Bearing on the right complete	252 964
1	Engaging rod	241 030	502	Cap screw M6x16	020 135
2	Bearing on the left complete	250 071	503	Pan-head screw M5x14	023 588
3	Guide rail at the bottom complete	257 540	504	Cap screw M6x20-12.9	020 136
6	Cover plate on the right	251 216	505	Cap screw M6x12	020 134
7	Cover plate on the left	251 217	507	Washer	020 872
8	Locating bolt	219 107	509	Screw M6x25	023 510
9	Switch with cable to safety doors	223 350	511	Adhesive base	243 055
10	Sliding nut (slot nut)	225 099	512	Cap screw M6x10	023 690



## 11.2 Starting device

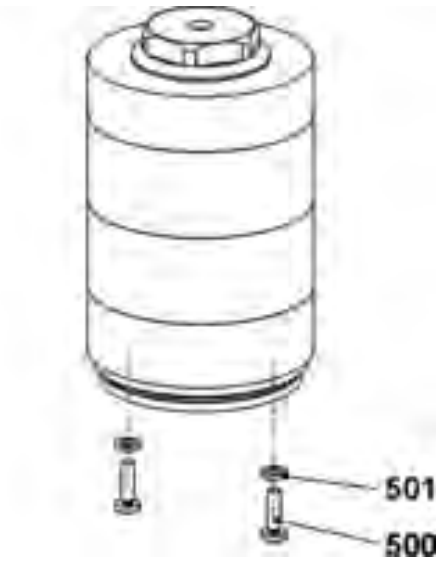
## 11.2.1 Bearing of the engaging rod

Pos	Designation	Id	Pos	Designation	Id
L	<b>Bearing on the left complete</b>	<b>250 071</b>			
1	Bearing on the left	245 218	505	Hexagon nut M8-6	020 838
	1a Clip bearing MCM 12-04	023 639	506	Dowel pin 1,5x8	236 923
2	Support of buffer	220 561	507	Spring dowel sleeve 6x20	023 719
	2a O-ring 14x4	023 237	508	Shoulder screw M4x24,8x7,7	240 299
3	Shaft on the left	245 219	509	Shoulder screw	251 316
4	Rotor	253 776	510	Shim ring 12x18x1	023 315
5	Switch flag	245 220	511	Locking ring 12x1	020 951
6	Spring mandrel	251 340	512	Compression spring 1,25x15x98,2	023 609
7	Disk	245 222	513	Compression spring 0,5x11x12	251 369
8	Shoulder screw	254 528			
9	Distance bolt	240 287	R	<b>Bearing on the right complete</b>	<b>252 964</b>
500	Cap screw M4x6	023 067	1	Bearing on the right	240 230
501	Cap screw M4x8	022 501		1a Clip bearing MCM 12-04	023 639
502	Shim ring 4x8x1	023 369	2	Shaft on the right	242 888
503	Card engaging	259 000	500	Shim ring 12x18x1	023 315
504	Adhesive magnet direct current	026 233	502	Locking ring 12x1	020 951



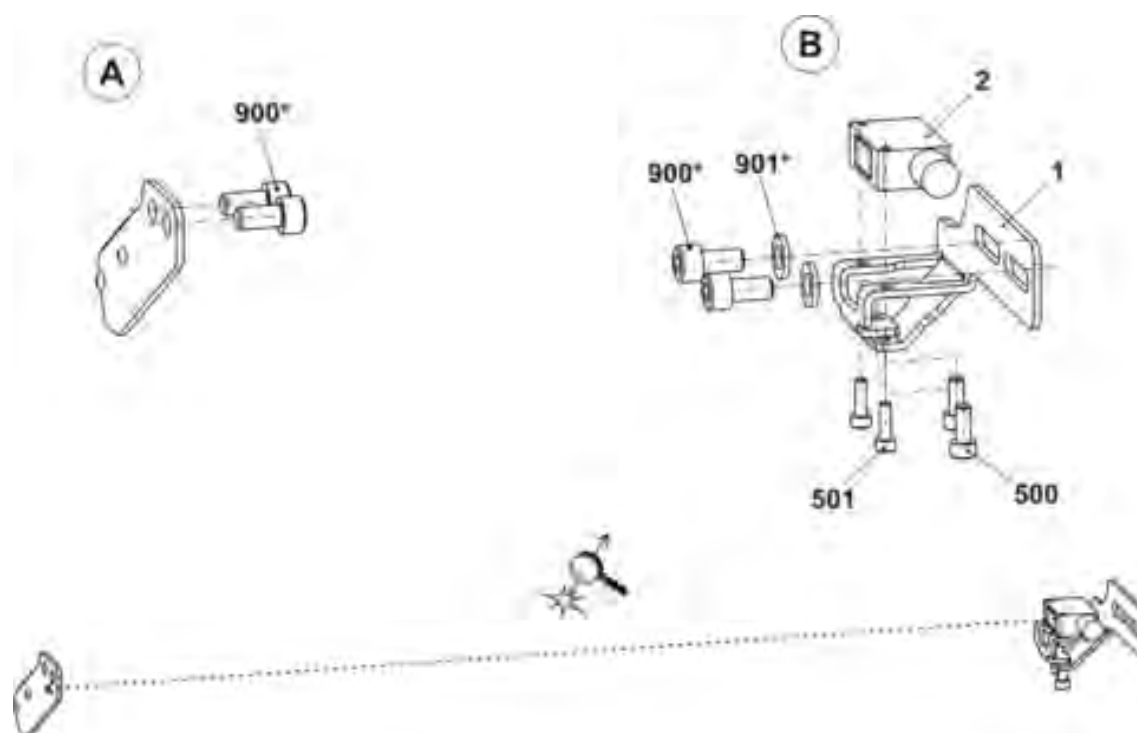
## 11.3 Signal light

Pos	Designation	Id		Pos	Designation	Id
Σ	Signal light LED	240 395				
	500	Pan-head screw M4x14	023 037			
	501	Serrated lock washer A4,3-FS	022 482			



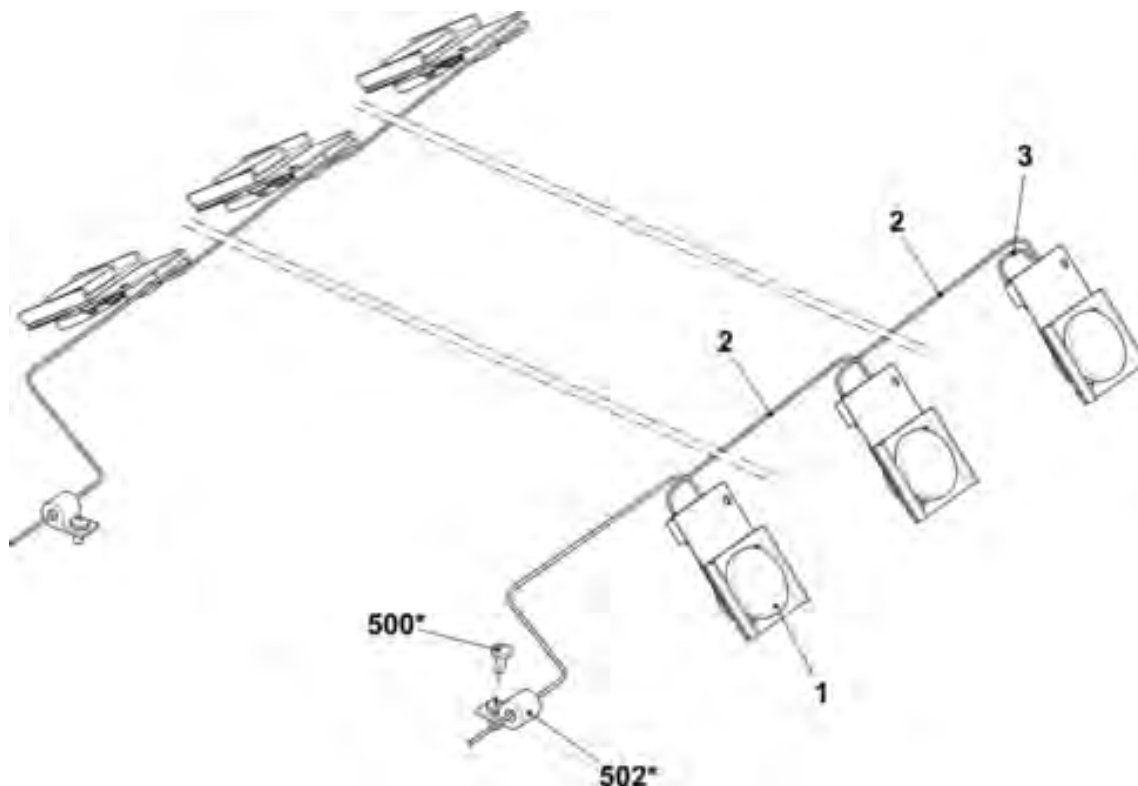
## 11.4 Collecting area - control

Pos	Designation	Id	Pos	Designation	Id
A	Reflector complete	256 826	B	Holding angle light barrier	257 409
900*	Cap screw M6x12	020 134	1	Holding angle	256 806
			2	Light barrier	243 355
			500	Cap screw M4x10	023 136
			501	Cap screw M3x10	022 991
			900*	Cap screw M6x12	020 134
			901*	Washer	020 872



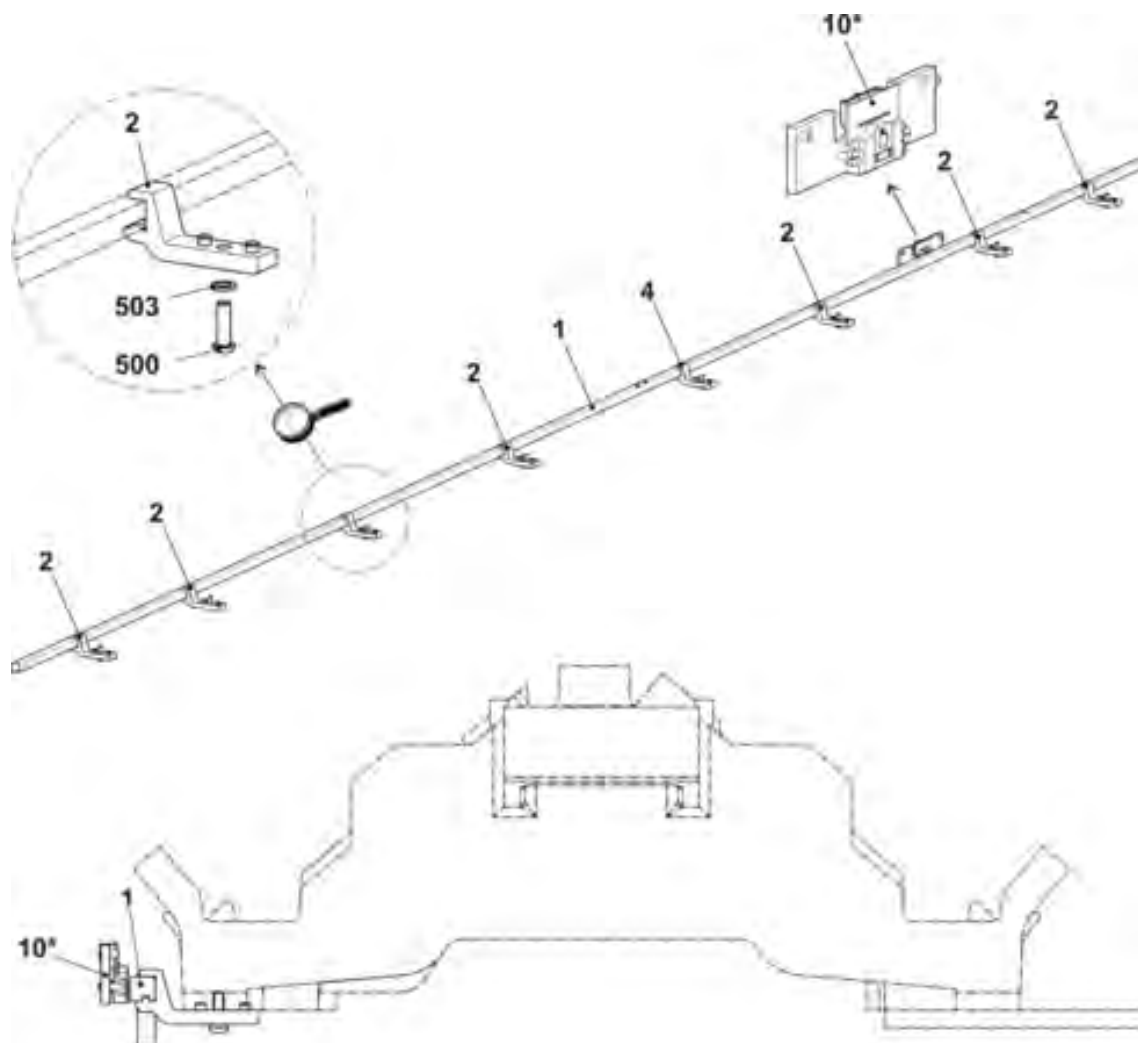
## 11.5 Shock stop motion

Pos	Designation	ID	Pos	Designation	ID
Σ	Shock stop motion complete	237 280	3	End plug piezo sensor	220 062
1	Shock stop motion (Piezo)	220 011	500*	Pan-head screw M4x8	023 036
2	Cable connection piezo	220 061	502*	Cable clip N-3B 5 mm	210 729



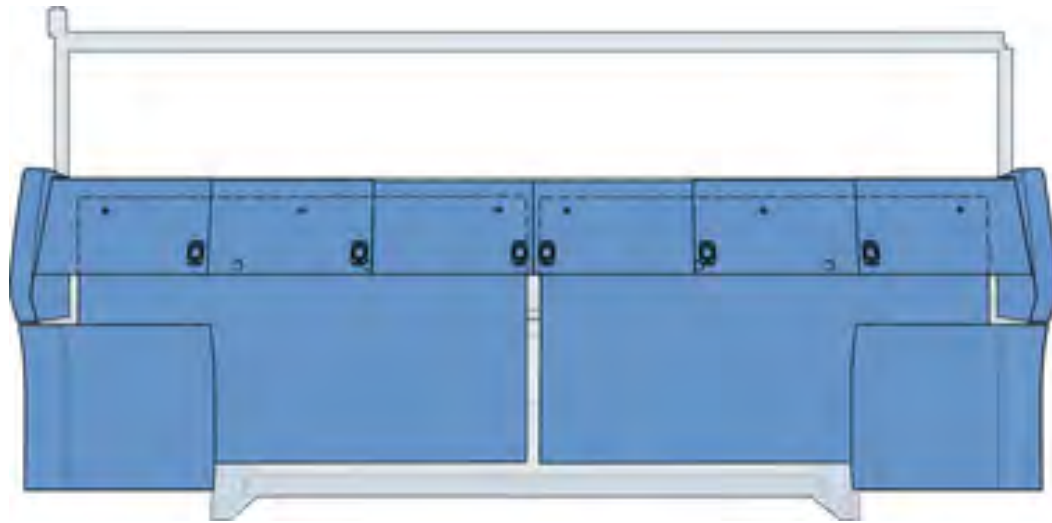
## 11.6 Measuring device

Pos	Designation	Id	Pos	Designation	Id
$\Sigma$	Measuring device				
1	Measuring bar	258 308	10*	Spare parts package impulse sensor GLM	259 613
2	Guide	212 210	501	Washer6	020 881
4	Guide	240 672	502	Pan-head screw M6x20	241 603





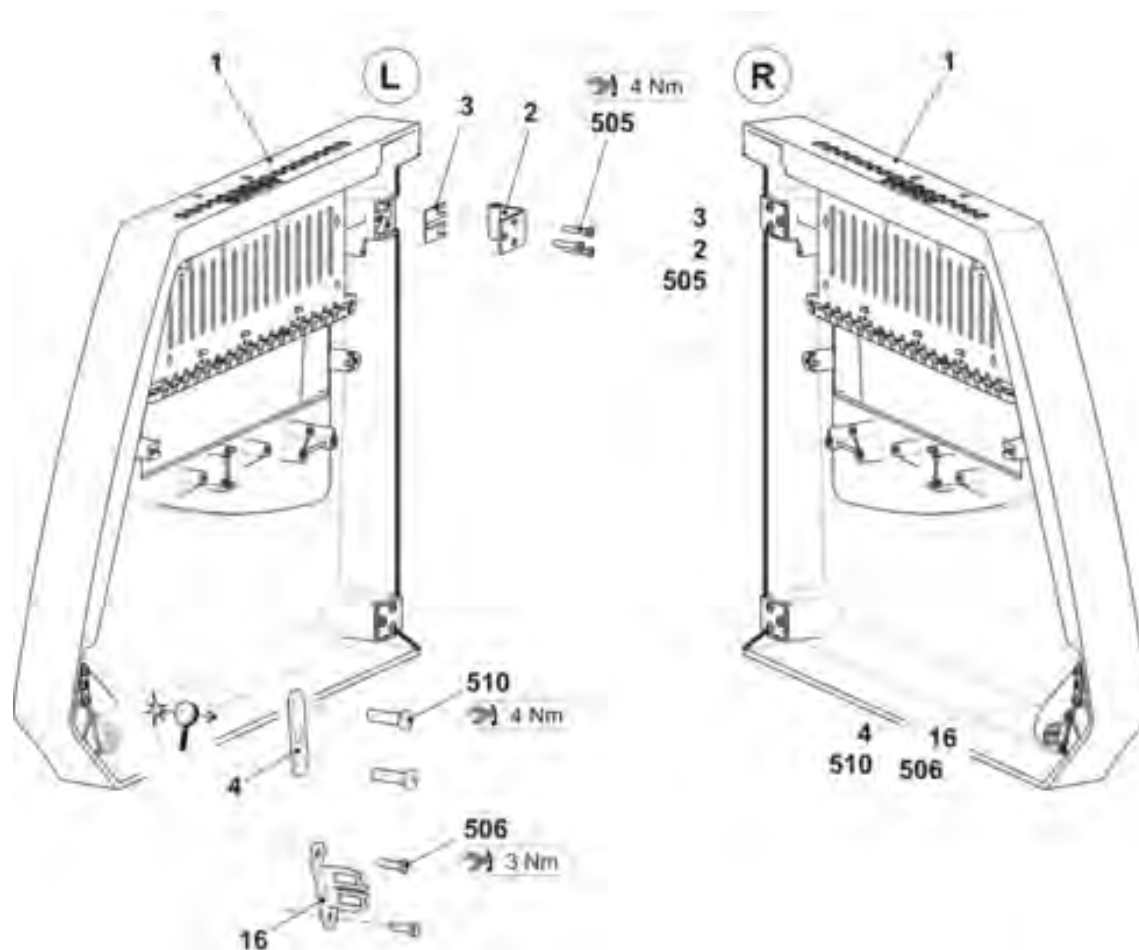
## 12 Protective units



## 12.1 Lateral safety doors

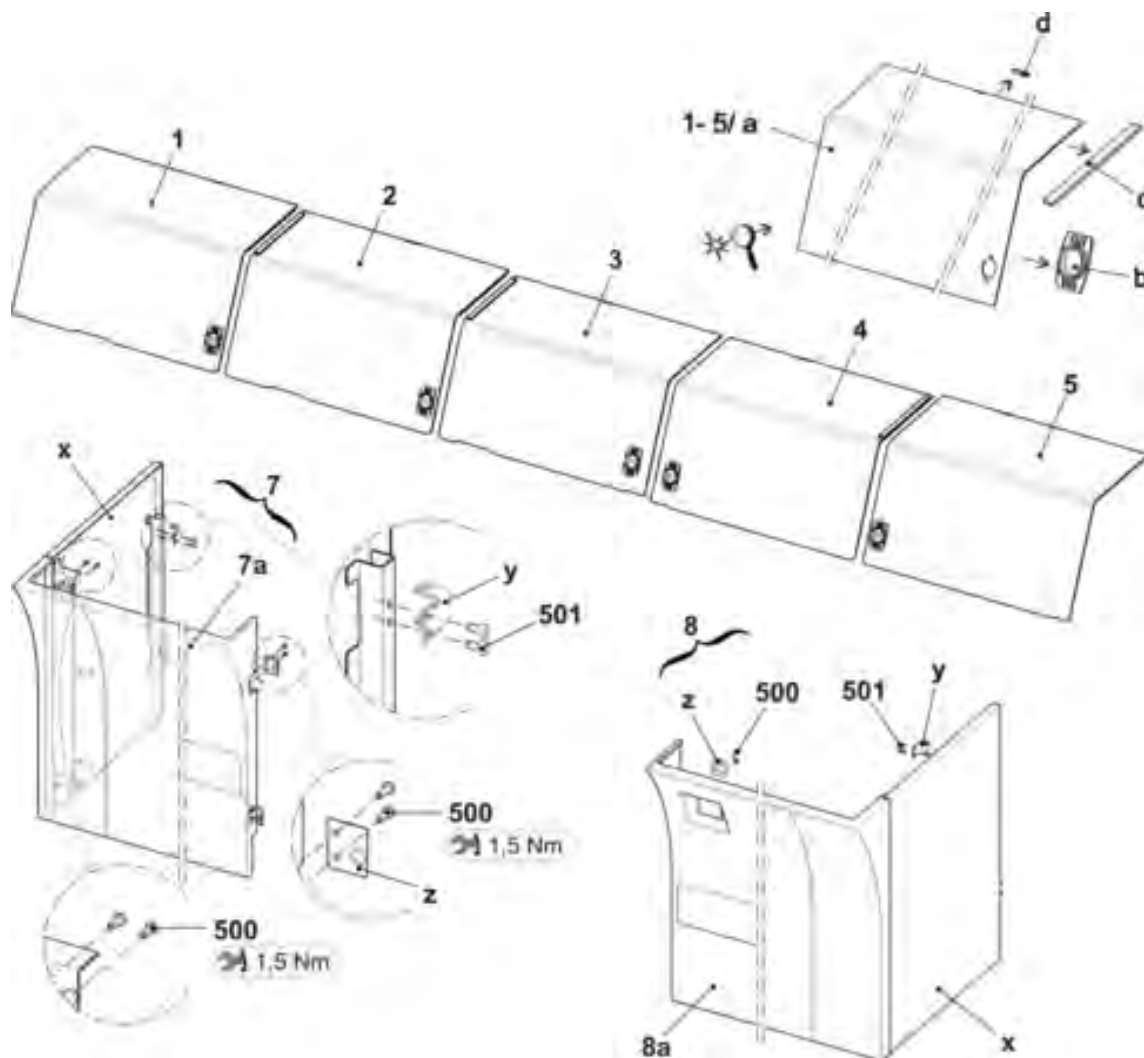
## 12.1 Lateral safety doors

Pos	Designation	ID	Pos	Designation	ID
Σ	Safety door on the left complete E3   E4   E5	241 271	Σ	Safety door on the right complete E3   E4   E5	241 274
1	Safety door on the left	250 562	1	Safety door on the right	250 563
2	Hinge	241 994	505	Screw KB 60x30	237 683
3	Plate	224 717	510	Screw KB 60x20	237 682
4	Locking plate	219 748			



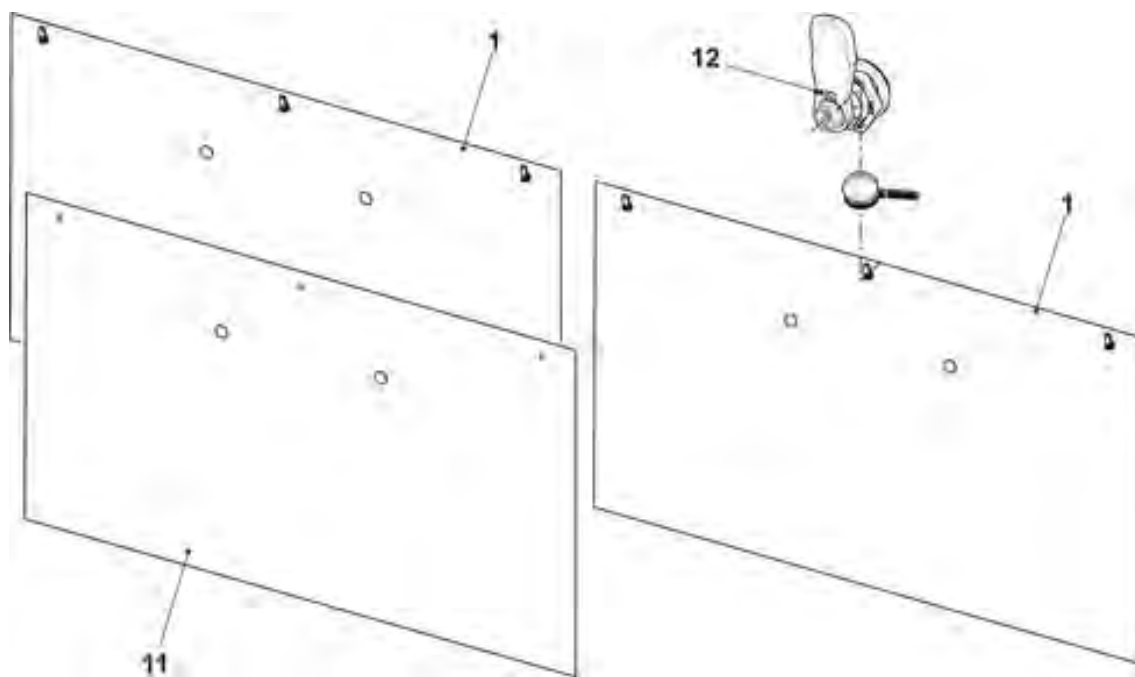
## 12.2 Panelling

Pos	Designation	Id	Pos	Designation	Id	
1	Cover 1 (complete)	257 532	1-5	b	Inlet type handle	251 376
	1a	Cover 1		257 527	c	Stripper
2	Cover 2 (complete)	257 533		d	Magnet	255 129
	2a	Cover 2	257 528	7	Control unit panelling on the left complete	251 237
3	Cover 3 (complete)	257 534	7a		Control unit panelling on the left	251 190
	3a	Cover 3	257 529	8	Control unit panelling on the right complete	251 238
4	Cover 4 (complete)	257 535	8a		Control unit panelling on the right	251 191
	4a	Cover 4	257 530	7-8	x	Side part
5	Cover 5 (complete)	257 536	y		Hinge	250 273
	5a	Cover 5	257 531		z	Bracket
			500		Screw KB 50x12	240 359
			501		Cap screw M6x16	020 135

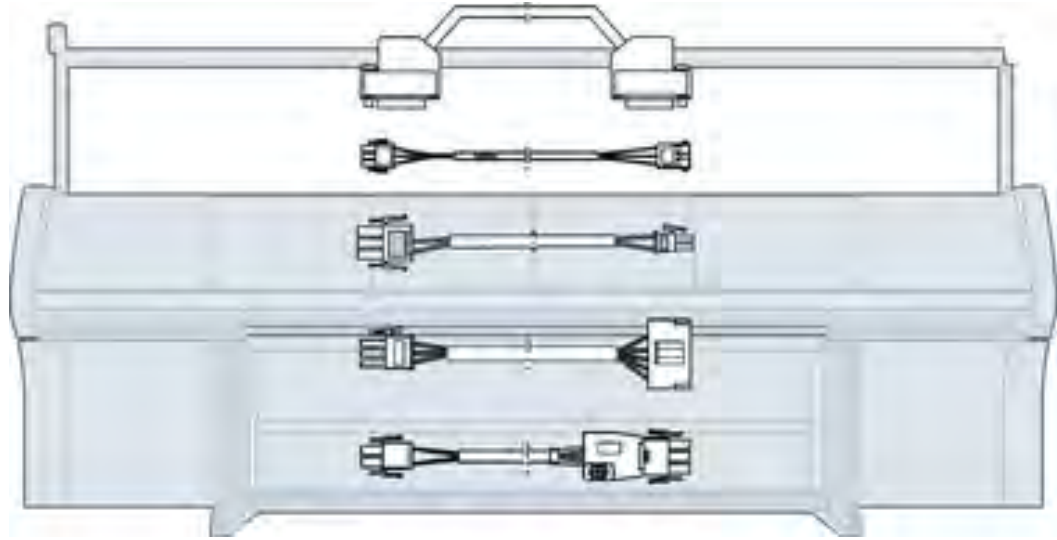


## 12.3 Rear panel

Pos	Designation	Id	Pos	Designation	Id
1	Panelling at the rear complete	257 670	11	Panelling	257 664
			12	Safety sash fastener	243 052



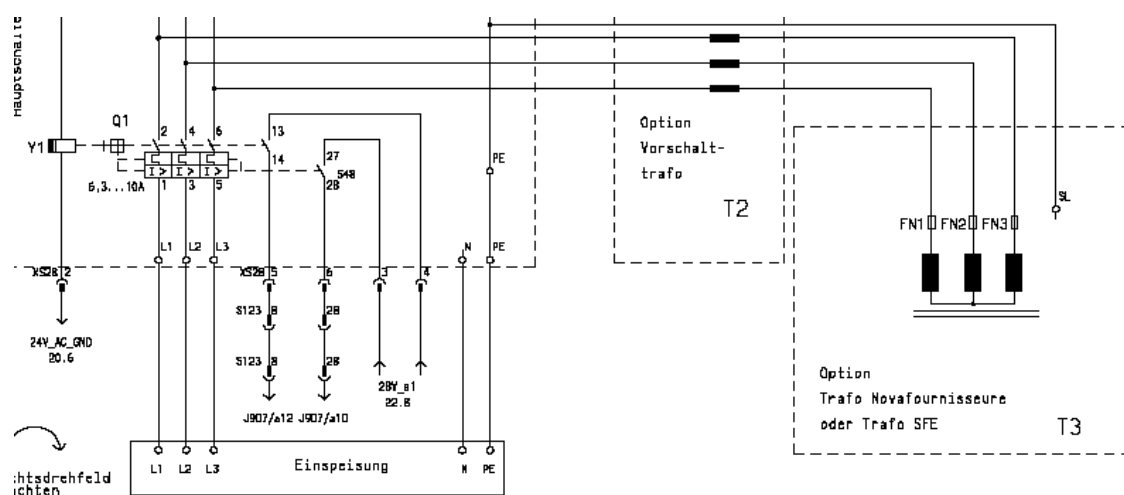
# 13 Electrical equipment



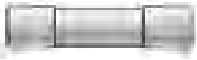

## 13.1 Circuit diagram (221) as PDF

Designation	ID	Marking
Circuit diagram 221 German	257 279	_DE
Circuit diagram 221 English	257 279	_GB
Circuit diagram 221 Chinese	257 279	_CN



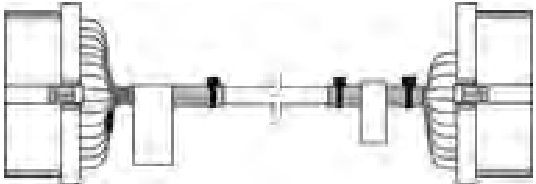
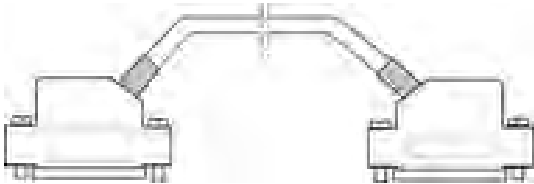
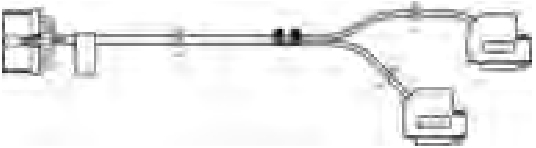
You will find the circuit diagram 221 on the CMS documentation DVD with the ID no.: 257 157



## 13.2 Fuses

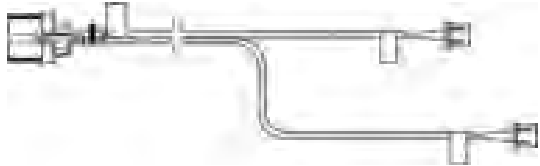
	Designation	Id
	Fuse 1,0A F 5x20	008 748
	Fuse 3,15A T/440V 6,3x32	025 261
	Fuse 10A T/440V 6,3x32Fuse	025 258
	Fuse 2,5A T/440V 6,3x32	217 465
	Fuse 1,6A T/440V 6,3x32	236 229
	Fuse 6,3A T/440V 6,3x32	026 809
	Fuse 8A T/440V 6,3x32Fuse	241 866
	Fuse 12,5A T/440V 6,3x32	232 367

## 13.3 Trailing cable

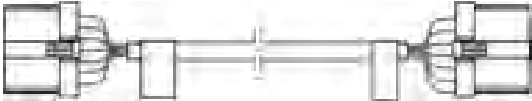
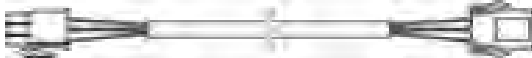

Designation	ID	Designation	ID
Trailing cable set 830C OKC 1IMP-2	259 297		
Cable impulse sensor 2 at the rear on the right XL136 822 OKC3	259 369	Cable SM at the rear XL325 830C OKC	244 225
		Cable SM at the front XL327 830C OKC	244 229
			
Cable yarn carrier 830C OKC	244 224	Cable signal at the rear XL326 830C OKC	244 226
		Cable signal at the front XL328 830C OKC	244 230
			
Cable holding-down jack control 830C OKC	244 231		
			




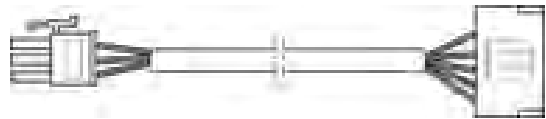

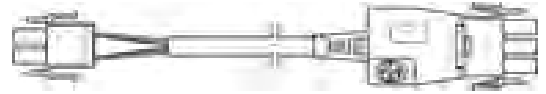



## 13.4 Cable set installation

Designation		ID	Designation		ID
Σ	Cable set installation 8XX OKC	242 224			
1	Loom of cables base 1 OKC	240 256	4	Loom of cables comb OKC	240 259
2	Loom of cables base 2OKC	240 257	8	Cable Piezo needle bed OKC	240 518
3	Loom of cables 84" OKC	242 225			

13.4.1 Loom of cables base 1



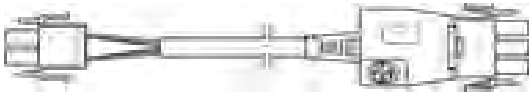

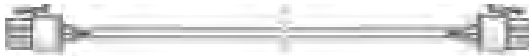
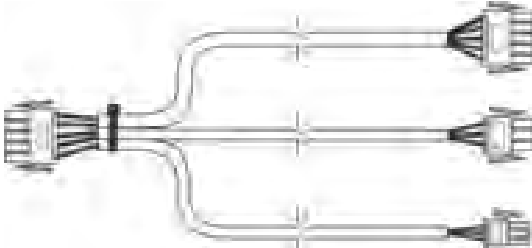

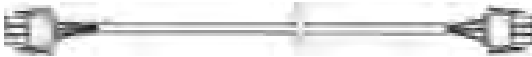
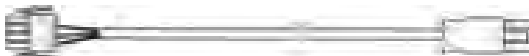
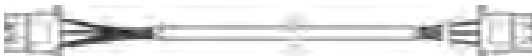
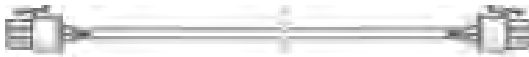
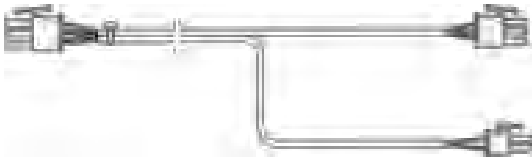

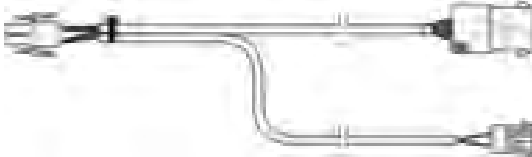
Designation	ID		Designation	ID
Loom of cables base 1 OKC	240 256			
Cable Engaging rod OKC 3XX	240 289			
			Cable supply FKE lamp OKC	240 290
				
Cable protective device on the left OKC	253 442			

13.4.2 Loom of cables base 2

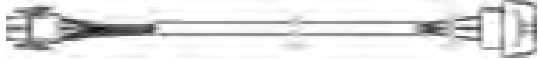




Designation	ID		Designation	ID
Loom of cables base 2 OKC	240 257			
Cable motor HAAB OKC	240 291		Cable racking limit switch OKC	240 292
				
Cable fan drive OKC	240 293		Cable Feed wheel on the right OKC	240 294
				
Cable drive motor OKC	240 295		Cable resolver drive OKC	240 296
Cable racking motor OKC	240 297		Cable resolver racking OKC	240 298
				
Cable protective device on the right OKC	253 441			
				

13.4 Cable set installation

13.4.3 Kabelstrang 84"

Designation	ID	Designation	ID
Loom of cables 84" OKC	242 225		
Cable CAN 84"	240 461	Cable Electro 84" OKC	240 463
			
Cable feed wheel on the left 84" OKC	240 466	Cable motor HIAB84" OKC	242 226
			
Cable switch HIAB 84" OKC	242 227	Cable power supply WAZ/F 84" OKC	240 471
			
Cable power supply servo 84"	240 504	Cable power supply unit of mains supply OKC	240 505
			
Cable power supply lighting84" OKC	240 507	Cable motor HAABOEF/S 84" OKC	242 228
			
Cable switch HAOS 84" OKC	242 229	Cable switch HIAB Anpr. OKC	240 593
			
Cable motor HIAB Anpress OKC	240 592	Cable power supply FLENT 84" OKC	251 243
			

### 13.4.4 Loom of cables COMB

Designation	Id		Designation	Id
Loom of cables COMBOKC	240 259			
Cable motor comb hookOKC	240 308		Cable switch KAHA OKC	240 309
				
Cable motor combOKC	240 310		Cable switch comb OKC	240 311
				
Cable switch HAAB OKC	240 312			
				

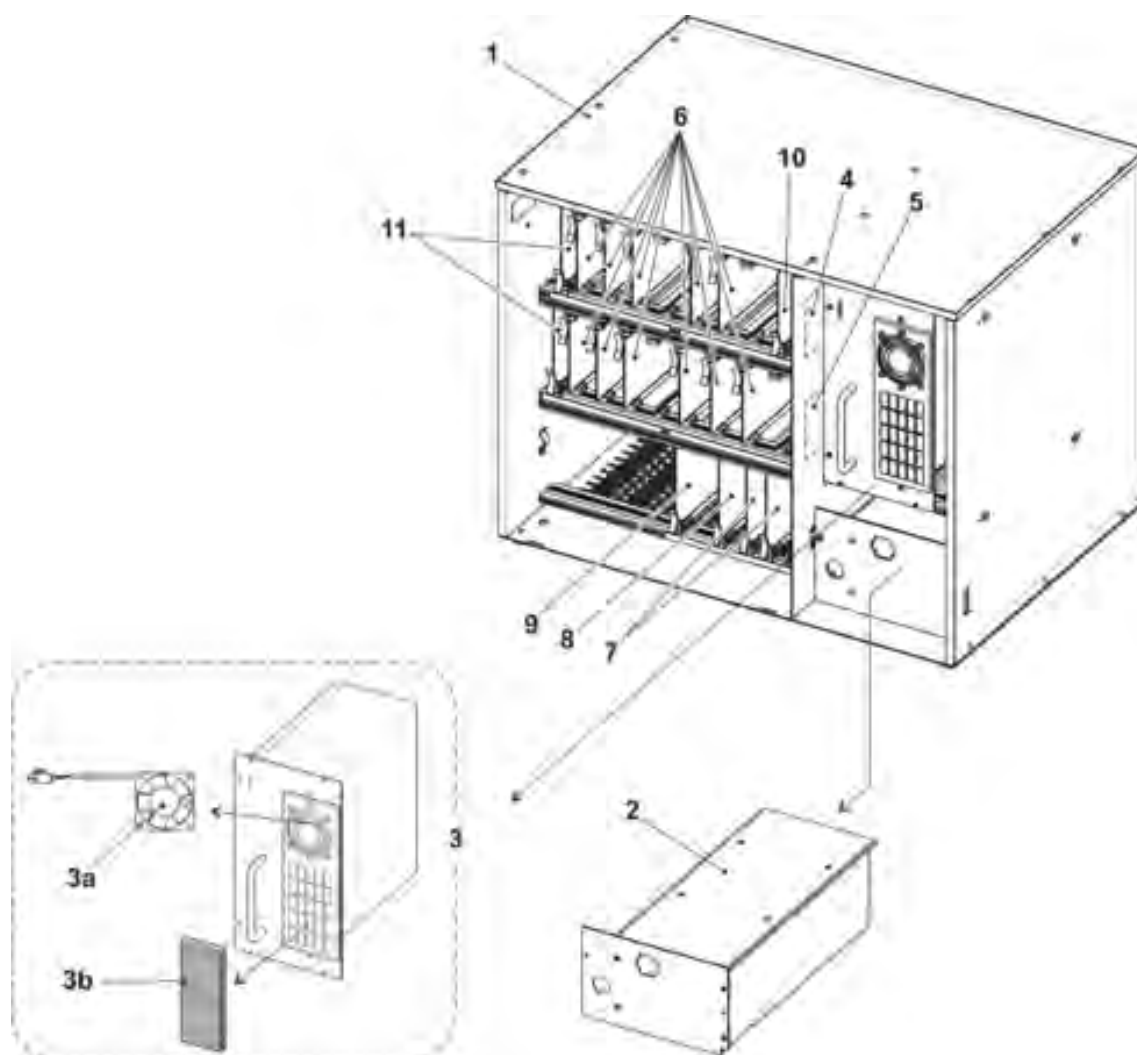
Notes:

# 14 Control electronics



## 14.1 Left control cabinet

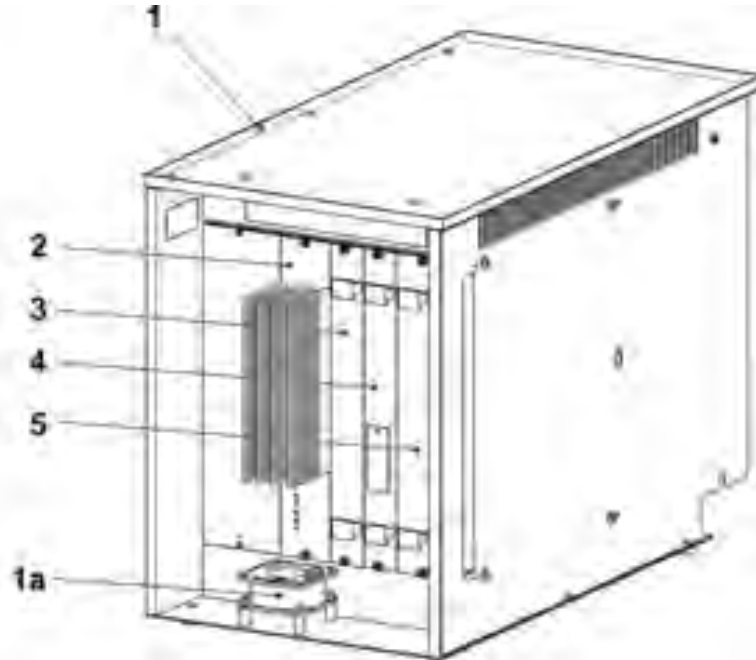
Pos	Designation	Id	Pos	Designation	Id
Σ	Control unit on the left complete 730S	255 963	5	Card YC final stages	300 939
1	Control unit on the left without equipment 730S	255 962	6	Card amplifier 4SM 7TE	300 943
2	Battery plug-in unit	300 924	7	Card N-CPU 432	300 965
3	Power supply unit CG54	300 977	8	Card power CPU B	301 009
	3a Ventilator power supply unit	239 305	9	Card IPC-P8X S 01	301 010
	3b Filter mat CG54	239 350	10	Card SM-CPU 2	300 946
4	Battery card	300 951	11	Card SM-CPU 2	300 947





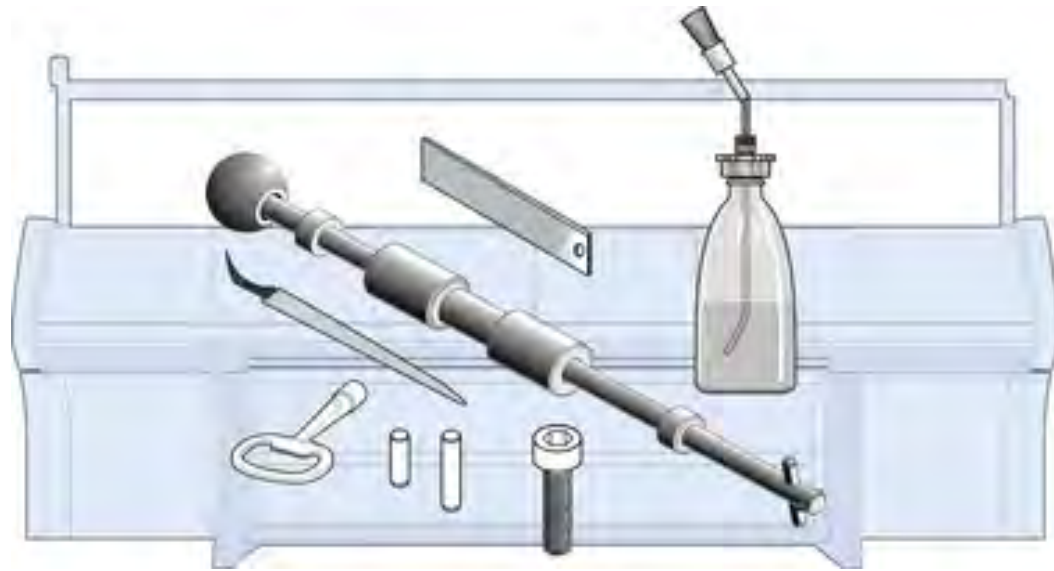
## 14.2 Right control cabinet

Pos	Designation	Id	Pos	Designation	Id
$\Sigma$	Control unit on the right complete 2A 72" okc	238 738			
1	Control unit on the right without equipment	238 737	3	Card relay okc	300 953
	1a Axial flow fan Servo 05	229 059	4	Card CWAZ	300 929
2	Card Servo6 okc	301 000	5	Capacitor card CWAZ	300 936



Notes:

## 15 Deliverable accessories



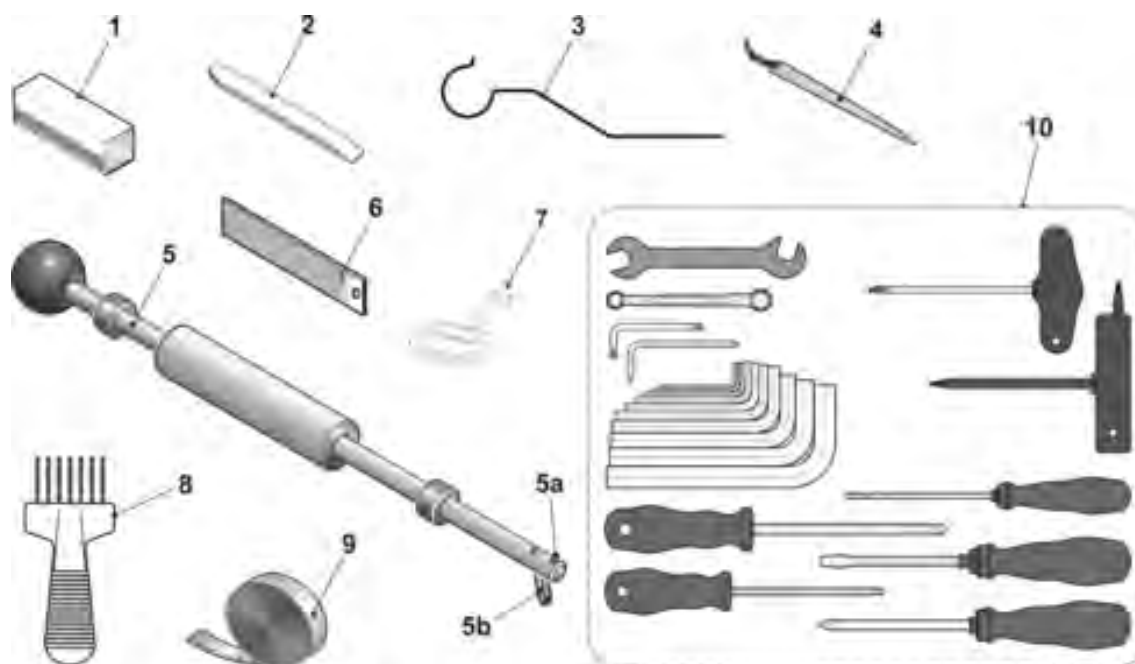
You can order the following tools, lubricants and expendables.

The following list does not correspond to the scope of delivery of the knitting machine.

15.1 Tool

## 15.1 Tool

Pos	Designation	Id	Pos	Designation	Id
1	Channel support E4	062 309	6	Groove file 1,33mm E3-4	006 169
	Channel support E5, E2,5.2	062 310		Groove file 1,25mm E5-8, E3,5.2	006 170
	Channel support E7, E3,5.2	062 312		Groove file 0,90mm E10-12, E5.2   6.2	006 175
	Channel support E8	062 313		Groove file 0,73mm E14, E7.2	006 173
	Channel support E10, E5.2	062 314		Groove file 0,45mm E16-18, E9.2	006 179
	Channel support E12, E6.2	062 315	7	Key of switch cabinet	009 346
	Channel support E14, E7.2	218 069	8	Groove cleaner E4	031 232
	Channel support E16, E8.2	230 188		Groove cleaner E5	031 233
	Channel support E18, E9.2	230 189		Groove cleaner E6	031 234
	Channel support E20	230 190		Groove cleaner E7, E3,5.2	031 235
	2	Channel chisel E14-20 (E5-14)		062 316	Groove cleaner E8
Channel chisel E4-8 (E3,5.2)		062 317		Groove cleaner E10 (E5.2)	031 238
Channel chisel E10-14		062 318		Groove cleaner E12 (E6.2)	031 240
3	Yarn guide on the left	227 071		Groove cleaner E14 (E7.2)	031 242
	Yarn guide on the right	227 070		Groove cleaner E16	225 111
4	Working hook	227 249		Groove cleaner E18 (E9.2)	225 112
5	Extraction hook	232 027	Groove cleaner E20	225 113	
	5a Small pin	202 843	9	Measuring tape L=150cm	228 180
	5b Pencil	232 022		10	Tool kit



## 15.2 Lubricating stuff

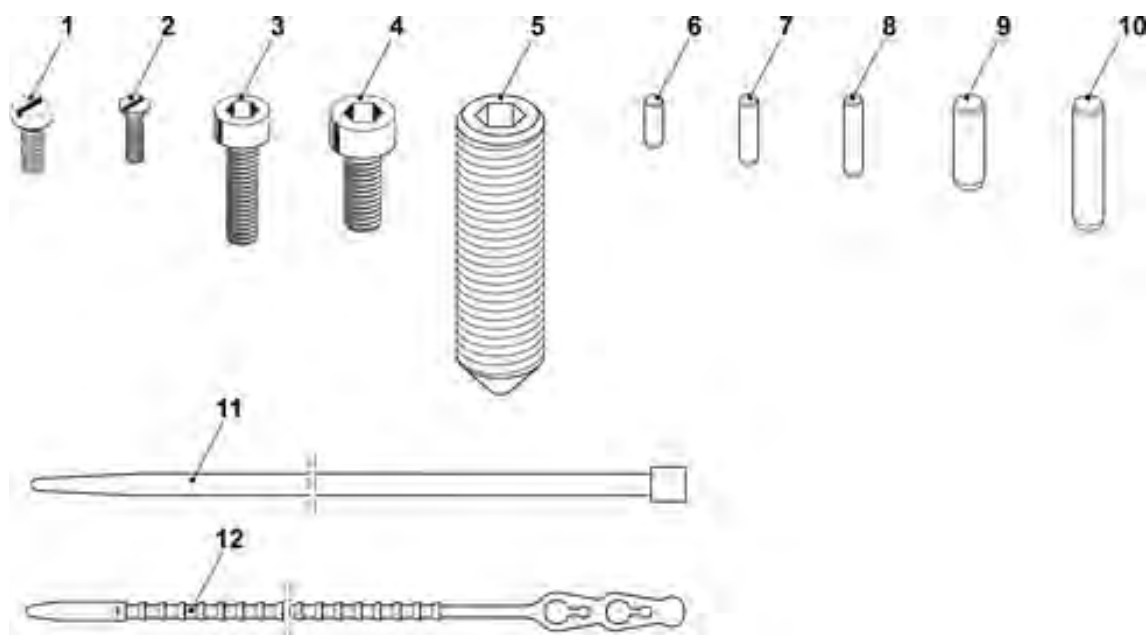
Pos	Designation	Id	Pos	Designation	Id
1	Silvertex T 46, 1l	230 614	4	Oil combifix	216 732
2	Grease OKS 475, 1kg	009 200	5	White grease paste OKS270	229 372
3	Grease OKS 475, 150g	005 351	6	Grease Staburags NBU 12/300KP	231 191



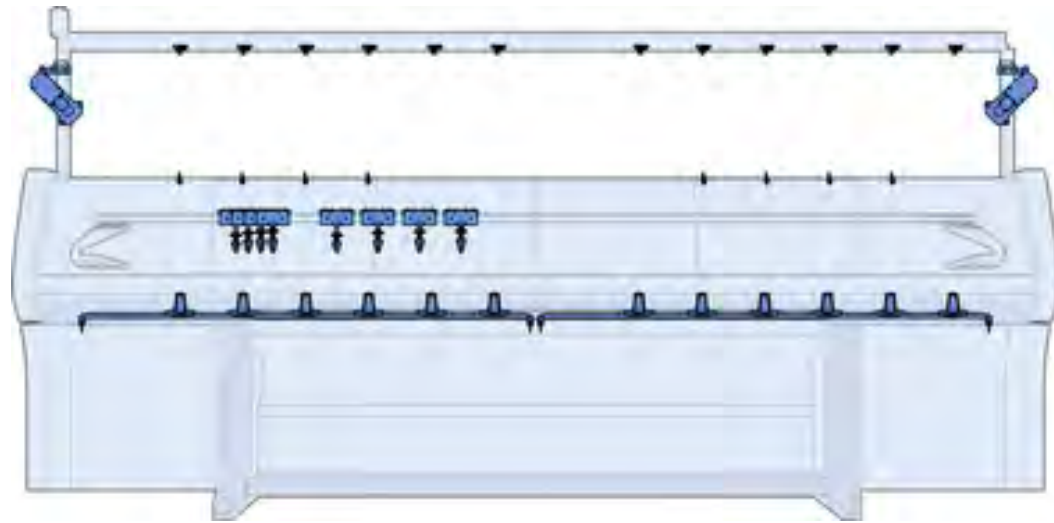
## 15.3 Mechanical parts

## 15.3 Mechanical parts

Pos	Designation	Id	Pos	Designation	Id
1	Cap screw M4x8	020 091	11	Cut cable 203x3,6mm	025 815
2	Countersunk screw M3x6	020 286		Cut cable T50L	026 294
3	Cap screw M5x16	022 726		Cut cable 140x3,6mm	008 379
4	Cap screw M6x14	022 658		Cut cable 302x4,8mm	008 642
5	Setscrew M16x50	023 235		Cut cable 92x2,4mm	008 378
6	Dowel pin 3x7	020 643	12	Reusable tie ABV 232 320mm	026 557
7	Dowel pin 3x10	020 645			
8	Dowel pin 3x12	020 647			
9	Dowel pin 5x12	021 988			
10	Dowel pin 5x18	022 622			

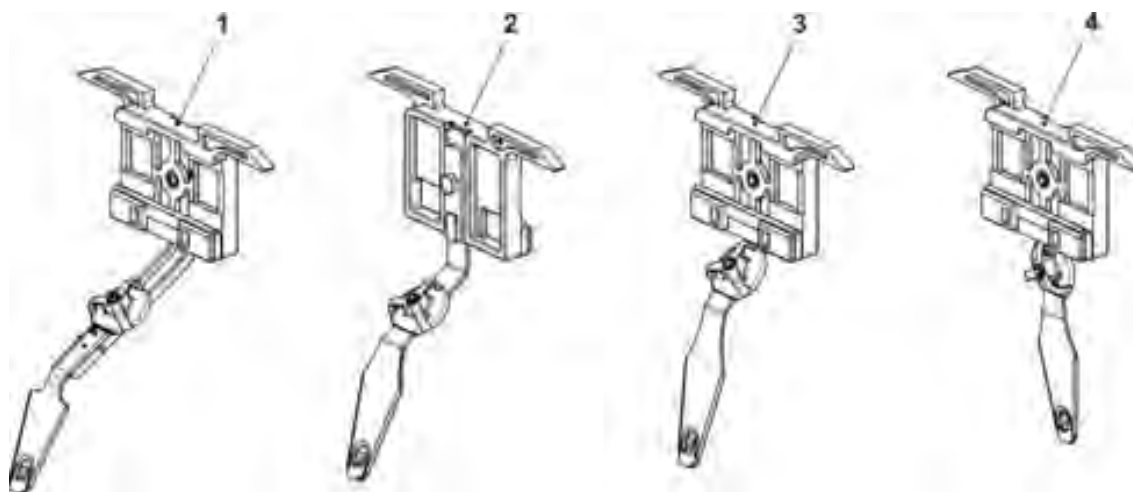


## 16 Special equipment



## 16.1 Complete yarn carriers

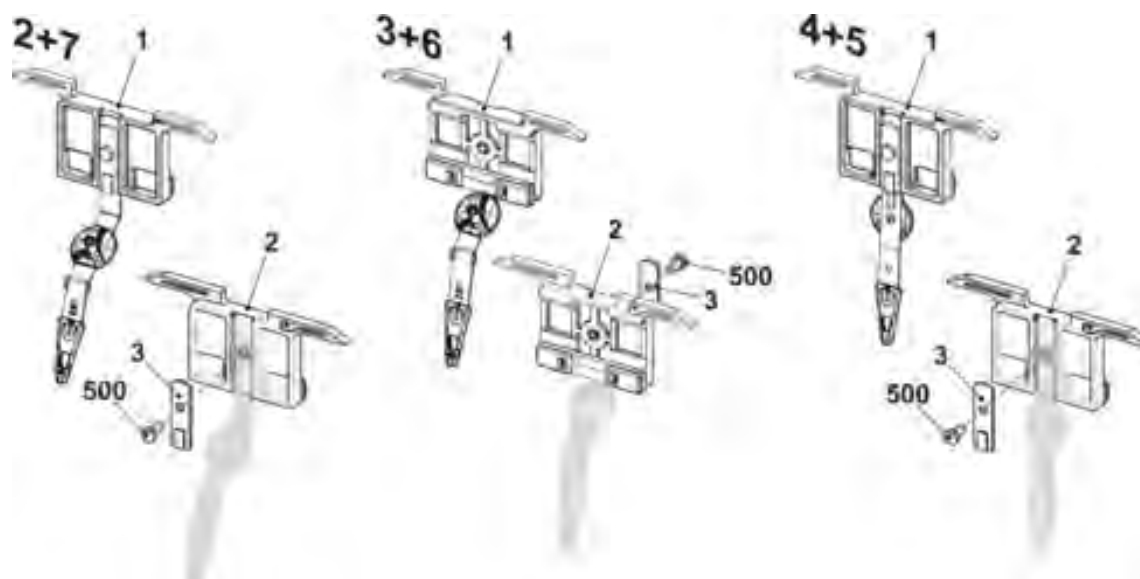
Pos	Designation	Track	ID	Pos	Designation	Track	ID
1	FF carriage 1+8 complete E3-4	1+8	217 486	3	FF carriage 3+6 complete E3-4	3+6	217 488
2	FF carriage 2+7 complete E3-4	2+7	217 487	4	FF carriage 4+5 complete E3-4	4+5	217 489





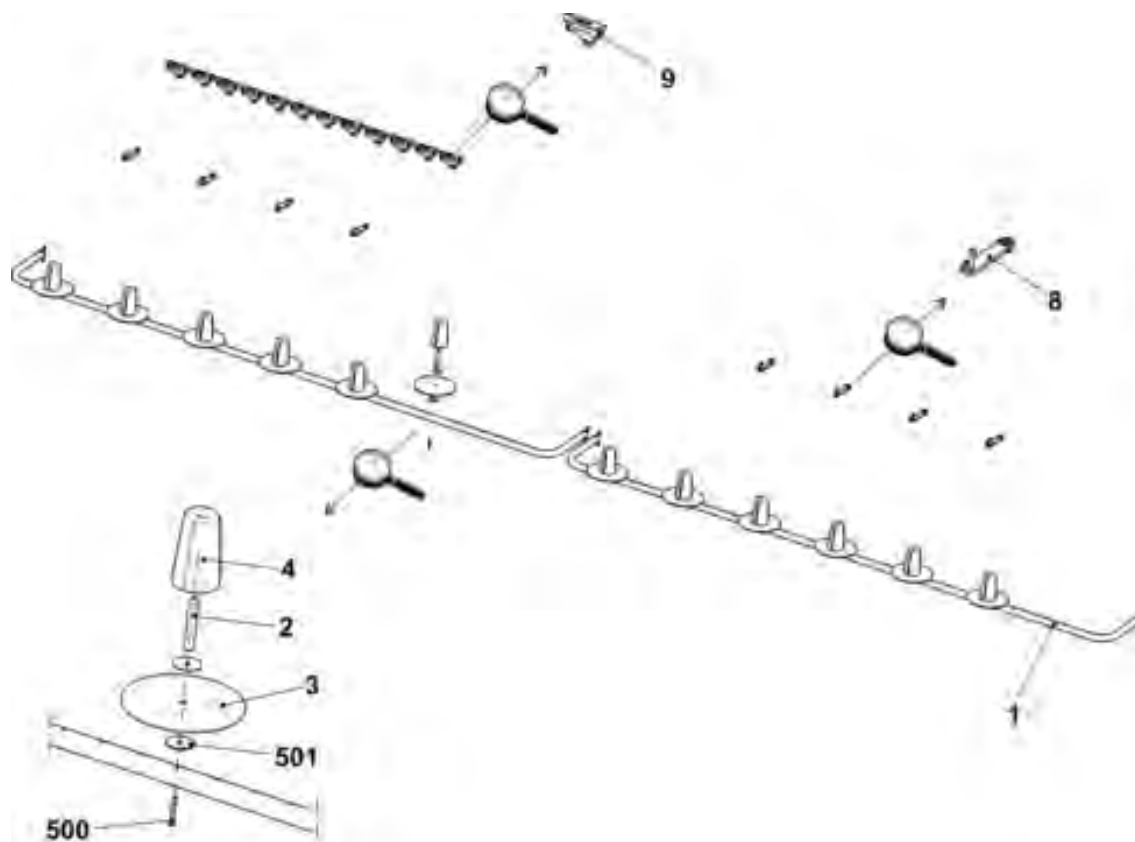
## 16.2 Carriage of plating yarn carrier

Pos	Designation	ID	Pos	Designation	ID
$\Sigma 2+7$	Carriage set of plating YC2+7	258 600	$\Sigma 2+7$	Carriage set of plating YC2+7	258 603
1	Yarn carrier carriage 2+7 completeE7-8	257 642	1	Yarn carrier carriage 2+7 completeE10-14	257 646
2	Yarn carrier carriage complete EW 35	257 610	2	Yarn carrier carriage complete EW 35	257 610
3	Shim	213 035	3	Shim	213 035
500	Hexagon screw M5x10	020 351	500	Hexagon screw M5x10	020 351
$\Sigma 3+6$	Carriage set of plating YC3+6	258 601	$\Sigma 3+6$	Carriage set of plating YC3+6	258 604
1	Yarn carrier carriage 2+7 completeE7-8	257 643	1	Yarn carrier carriage 2+7 completeE10-14	257 647
2	Yarn carrier carriage complete EW 35	257 610	2	Yarn carrier carriage complete EW 35	257 610
3	Shim	213 035	3	Shim	213 035
500	Hexagon screw M5x10	020 351	500	Hexagon screw M5x10	020 351
$\Sigma 4+5$	Carriage set of plating YC4+5	258 602	$\Sigma 4+5$	Carriage set of plating YC4+5	258 605
1	Yarn carrier carriage 2+7 completeE7-8	257 644	1	Yarn carrier carriage 2+7 completeE10-14	257 648
2	Yarn carrier carriage complete EW 35	257 610	2	Yarn carrier carriage complete EW 35	257 610
3	Shim	213 035	3	Shim	213 035
500	Hexagon screw M5x10	020 351	500	Hexagon screw M5x10	020 351



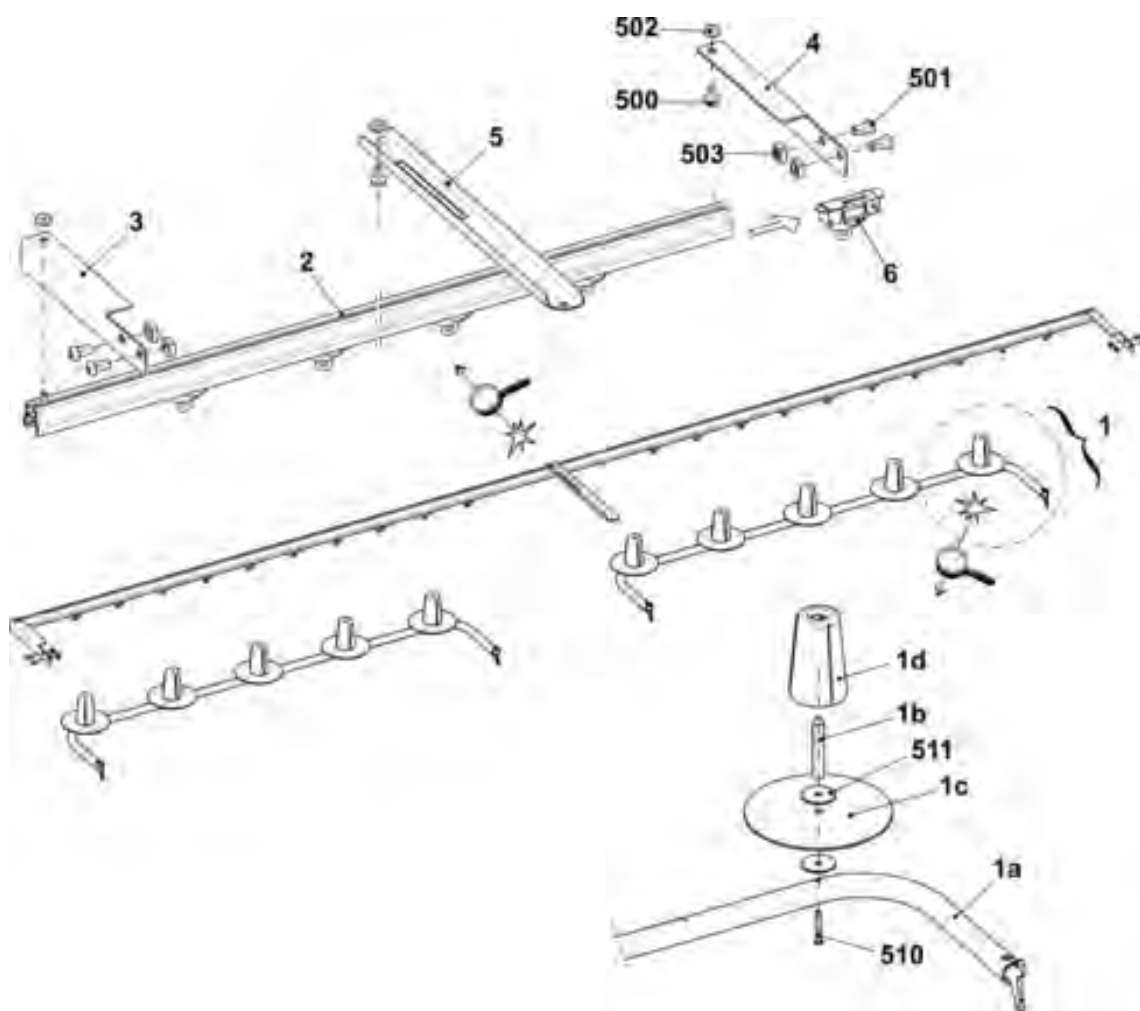
## 16.3 Additional board at the bottom

Pos	Designation	Id	Pos	Designation	Id
Σ	Zusatzisch 8XX unten	253 646			
1	Additional bobbin board welded	253 472	8	Yarn guide	243 765
2	Positioning pin	202 777	9	Yarn guide bracket	241 581
3	DiskD=130	062 385	500	Pan-head screw M4x30	023 681
4	Bobbin support	200 363	501	Washer5,3x30x1,25	023 556



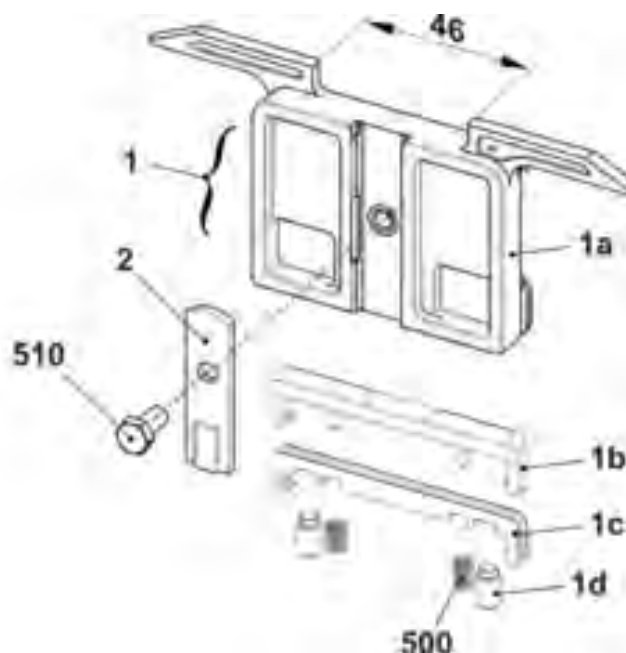
## 16.4 Additional board retrofit kit

Pos	Designation	Id	Pos	Designation	Id	
Σ	Additional board retrofit kit 8XX	243 776				
1	Additional bobbin board 7XX/8XX	241 928	3	Support on the left	243 602	
	1a	Additional bobbin board welded	241 927	4	Support on the right	243 603
	1b	Positioning pin	202 777	5	Support	239 295
	1c	DiskD=130	062 385	6	Yarn guide bracket complete	241 581
	1d	Bobbin support	200 363	500	Self-locking screw M6x12	023 415
	510	Pan-head screw M4x30	023 681	501	Pan-head screw M8x16	023 113
	511	Washer5,3x30x1,25	023 556	502	Serrated nut M6-10	023 414
2	Yarn guide bar84"	236 932	503	Square nut M8	023 269	



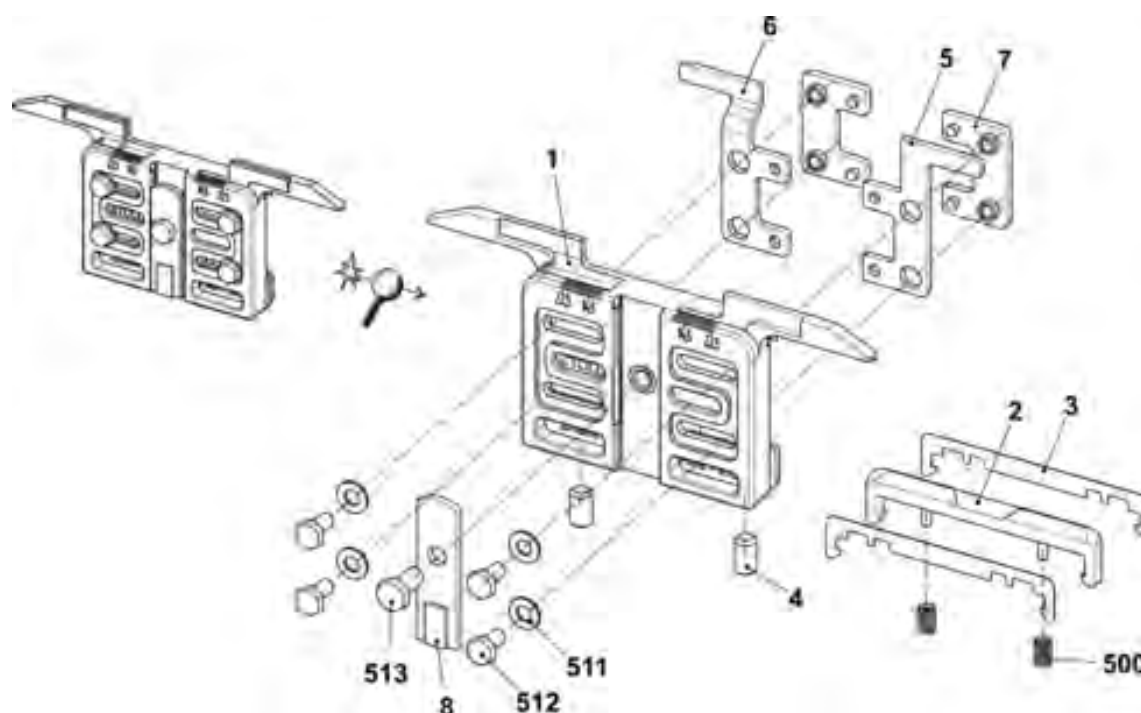
## 16.5 Carriage of plating yarn carrier EW46

Pos	Designation	Id	Pos	Designation	Id
B	Plating FF carriage complete EW 46	244 998			
1	FF carriage EW 46	244 253			
	1a	FF carriage	1d	Threaded bolt	213 399
	1b	Sliding piece	500	Compression spring 4,0x0,55x11	021 399
	1c	Shim	2	Shim	213 035
			510	Hexagon screw M5x10	020 351



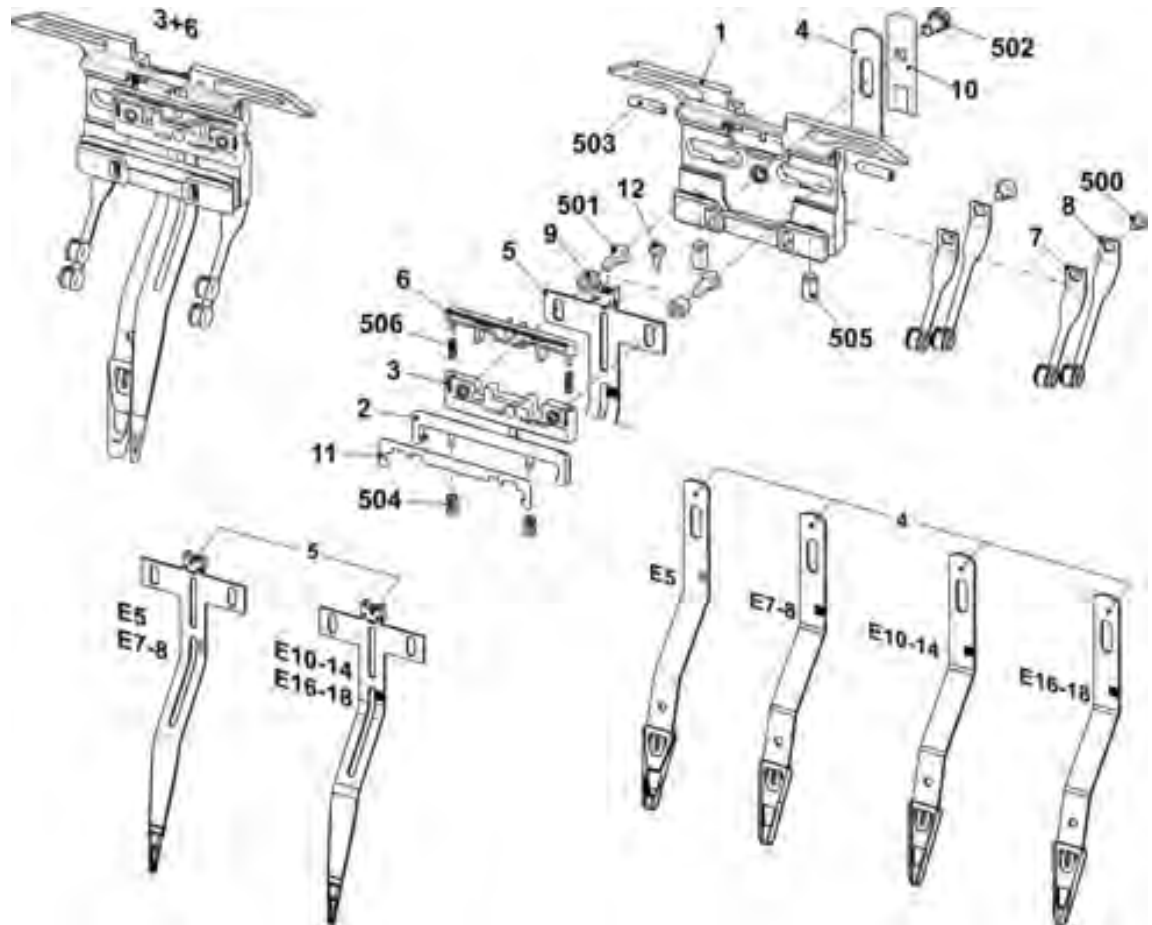
## 16.6 Carriage of plating yarn carrier (adjustable)

Pos	Designation	Id	Pos	Designation	Id
Σ	Plating yarn carrier carriage complete	251 867			
1	Carriage of yarn carrier	251 864	7	Guide part	253 226
2	Sliding piece	212 583	8	Shim	213 035
3	Shim	216 143	500	Compression spring	021 399
4	Threaded bolt	213 399	511	Washer4	022 481
5	Insert on the right	251 866	512	Hexagon screwM4x8	022 461
6	Insert on the left	251 865	513	Hexagon screwM5x10	020 351



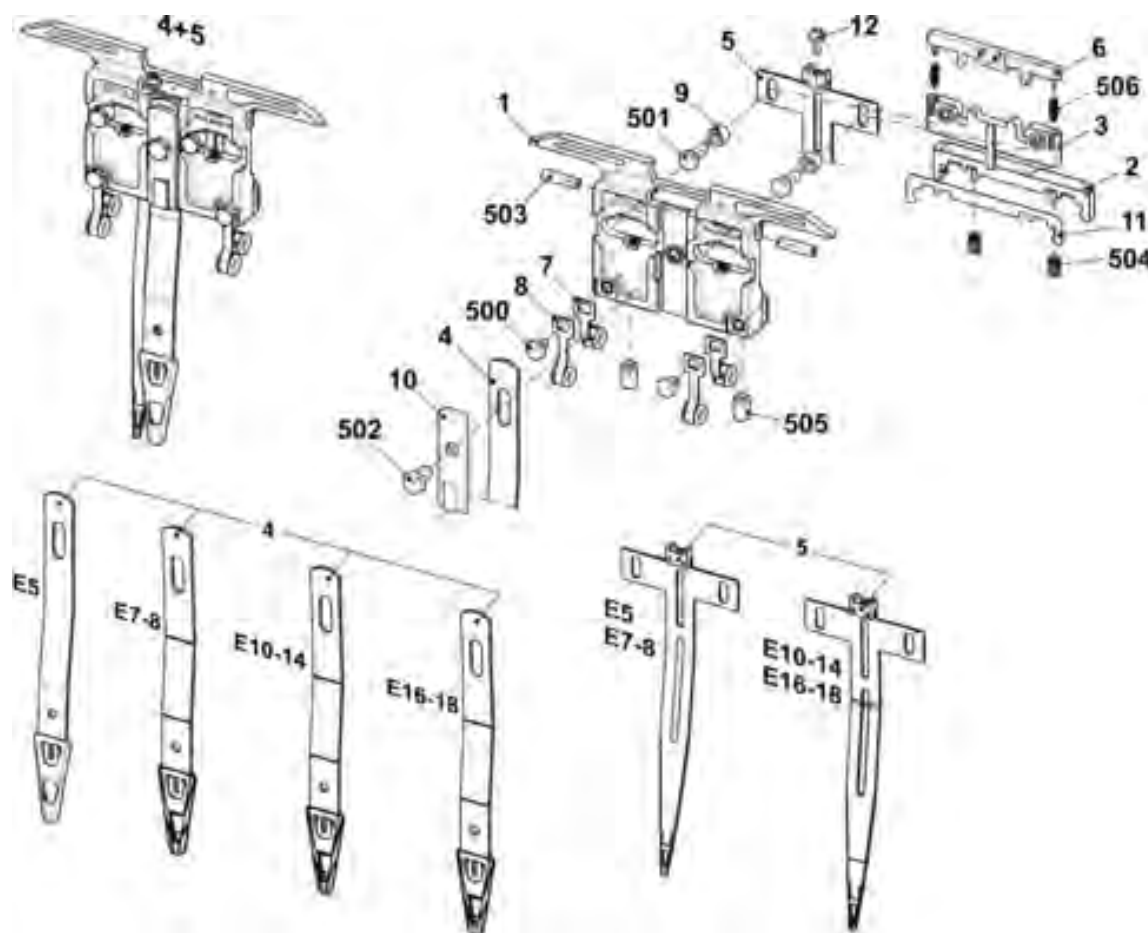
## 16.7 Plating yarn carrier 3+6

Pos	Designation	Id	Pos	Designation	Id
Σ	Plating yarn carrier carriage 3+6 complete				
	E6.2	252 784	7	Eyelet holder complete	252 825
	E10   E12   E14   E7.2   E8.2   E6.2(12m.10)   E12/14	252 786	8	Eyelet holder complete	252 824
	E16   E18	252 788	9	Distance bushing	252 796
1	Plating yarn carrier carriage	252 806	10	Shim	213 035
2	Sliding piece	212 583	11	Shim	216 143
3	Slider	252 798	12	Adjusting screw	253 436
4	Plating yarn carrier bow 3+6		500	Hexagon screw M4x5	243 779
	E6.2	252 821	501	Hexagon screw M4x10	020 346
	E10   E12   E14   E7.2   E8.2   E6.2(12m.10)   E12/14	252 822	502	Hexagon screw	252 832
	E16   E18	252 823	503	Setscrew M4x16	254 196
5	Plating yarn carrier bow 3+6 E6.2	252 800	504	Compression spring	021 399
	Plating yarn carrier bow 3+6 E10-E18	252 808	505	Threaded bolt	213 399
6	Sliding piece	252 797	506	Compression spring	253 058



## 16.8 Plating yarn carrier 4+5

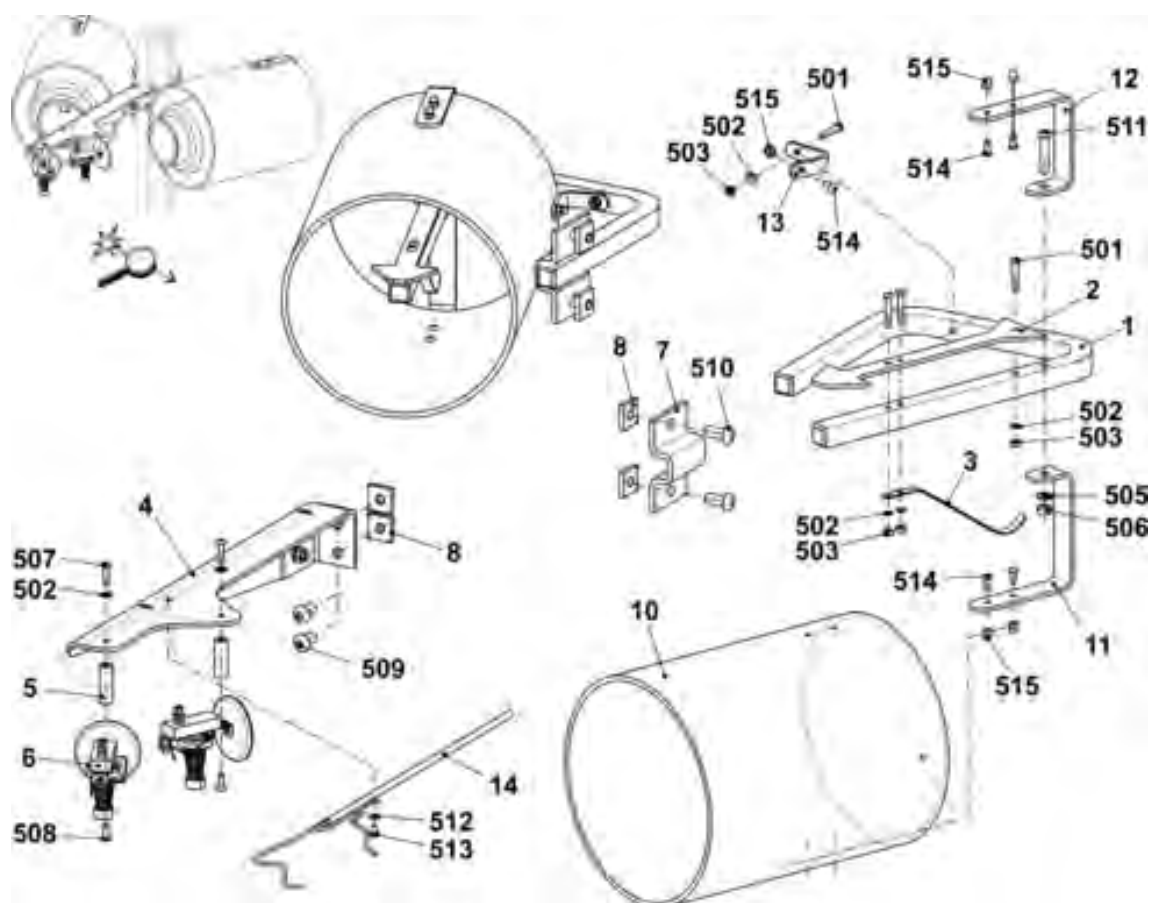
Pos	Designation	Id	Pos	Designation	Id
Σ	Plating yarn carrier carriage 4+5 complete				
	E6.2	252 783	7	Eyelet holder complete	252 815
	E10   E12   E14   E7.2   E8.2   E6.2(12m.10)   E14/12	252 785	8	Eyelet holder complete	252 816
	E16   E18	252 787	9	Distance bushing	252 796
1	Plating yarn carrier carriage	252 806	10	Shim	213 035
2	Sliding piece	212 583	11	Shim	216 143
3	Slider	252 798	12	Adjusting screw	253 436
4	Plating yarn carrier bow 3+6		500	Hexagon screw M4x5	243 779
	E6.2	252 791	501	Hexagon screw M4x10	020 346
	E10   E12   E14   E7.2   E8.2   E6.2(12m.10)   E14/12	252 792	502	Hexagon screw	252 832
	E16   E18	252 793	503	Setscrew M4x16	254 196
5	Plating yarn carrier bow 3+6 E6.2	252 799	504	Compression spring	021 399
	Plating yarn carrier bow 3+6 E10-E18	252 807	505	Threaded bolt	213 399
6	Sliding piece	252 797	506	Compression spring	253 058



## 16.9 Bobbin holder on the left

## 16.9 Bobbin holder on the left

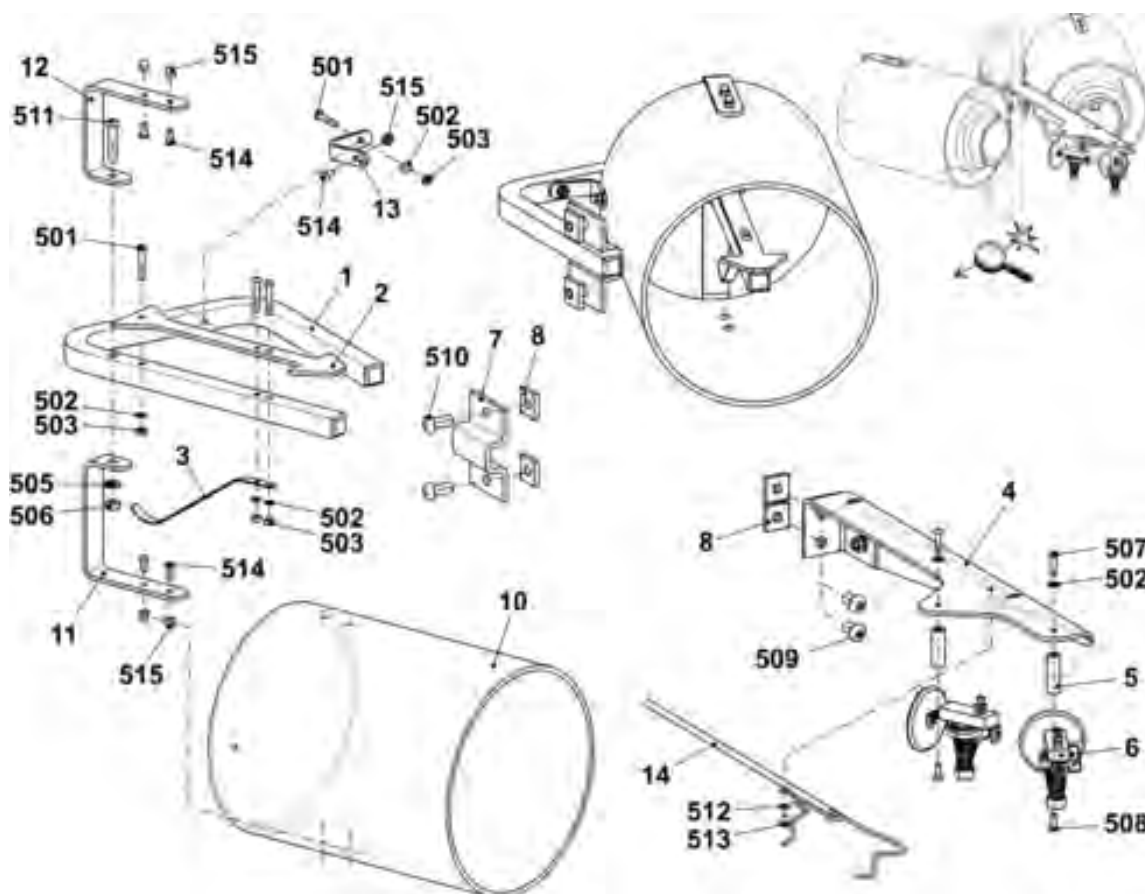
Pos	Designation	ID	Pos	Designation	ID
Σ	Bobbin holder on the left	253 965	501	Pan-head screw M4x25	023 511
1	Support	253 969	502	Washer 4	022 481
2	Support	252 769	503	Hexagon nut M4-6	022 536
3	Leaf spring	253 350	505	Washer 6	022 431
4	Support on the left	253 347	506	Hexagon nut M6-6	022 899
5	Spacer	253 349	507	Pan-head screw M4x16	023 412
6	Yarn detector Massardi	226 964	508	Pan-head screw M4x12	023 062
7	Clamp	228 583	509	Pan-head screw M8x16	023 113
8	Slot nut	228 851	510	Pan-head screw M8x18	251 331
10	Cover	253 968	511	Pan-head screw M6x30	023 451
11	Holding angle	253 964	512	Serrated lock washer A4,3	022 482
12	Holding angle	253 963	513	Pan-head screw M4x6	022 946
13	Holding angle	253 967	514	Pan-head screw M4x10	023 450
14	Cable plating	253 468	515	Cap nut M4-6	253 805





## 16.10 Bobbin holder on the right

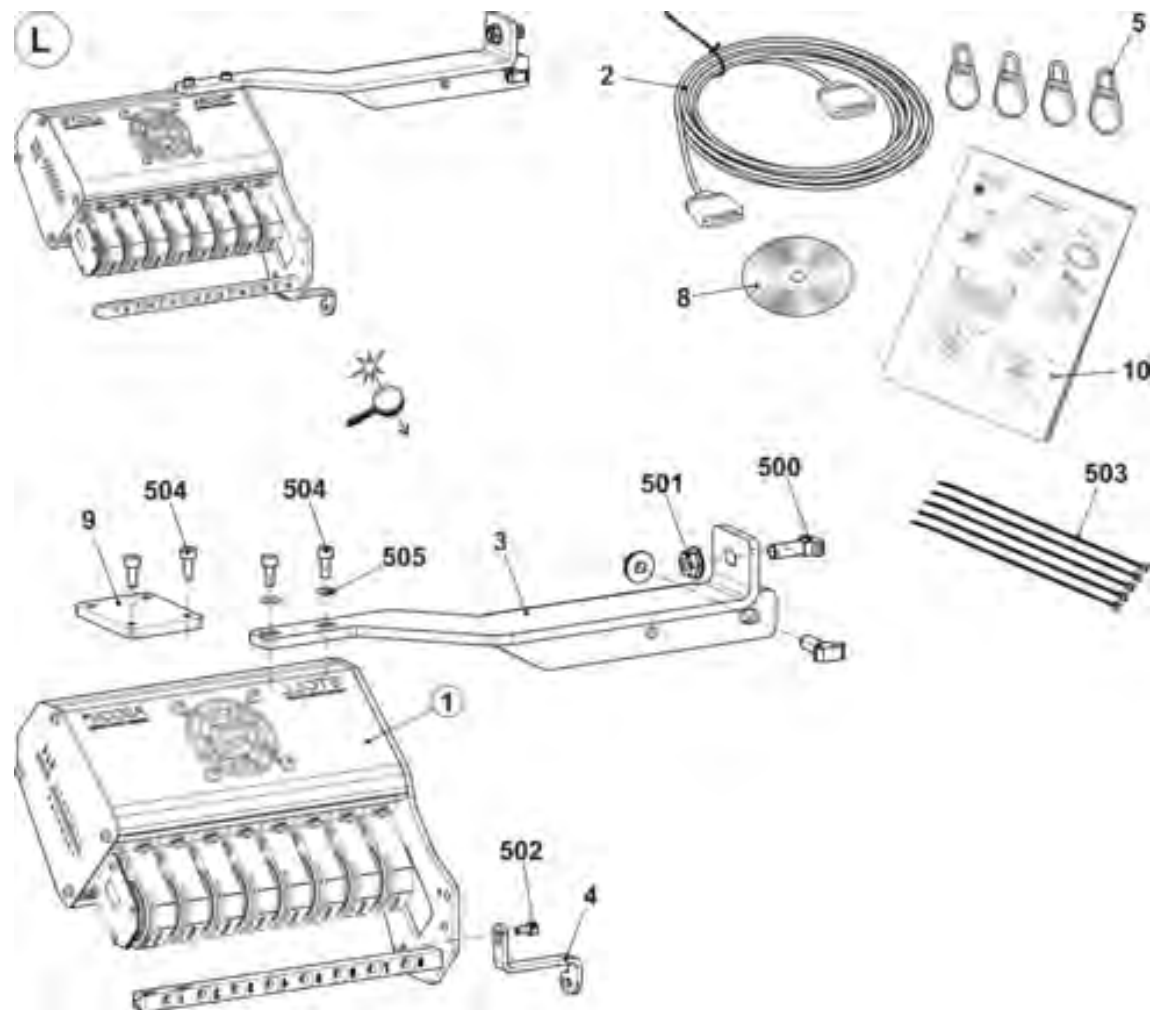
Pos	Designation	ID	Pos	Designation	ID
Σ	Bobbin holder on the right	253 966	501	Pan-head screw M4x25	023 511
1	Support	253 969	502	Washer 4	022 481
2	Support	252 769	503	Hexagon nut M4-6	022 536
3	Leaf spring	253 350	505	Washer 6	022 431
4	Support right	253 348	506	Hexagon nut M6-6	022 899
5	Spacer	253 349	507	Pan-head screw M4x16	023 412
6	Yarn detector Massardi	226 964	508	Pan-head screw M4x12	023 062
7	Clamp	228 583	509	Pan-head screw M8x16	023 113
8	Slot nut	228 851	510	Pan-head screw M8x18	251 331
10	Cover	253 968	511	Pan-head screw M6x30	023 451
11	Holding angle	253 964	512	Serrated lock washer A4,3	022 482
12	Holding angle	253 963	513	Pan-head screw M4x6	022 946
13	Holding angle	253 967	514	Pan-head screw M4x10	023 450
14	Cable plating	253 468	515	Cap nut M4-6	253 805



16.11 Yarn length measuring device on the left complete

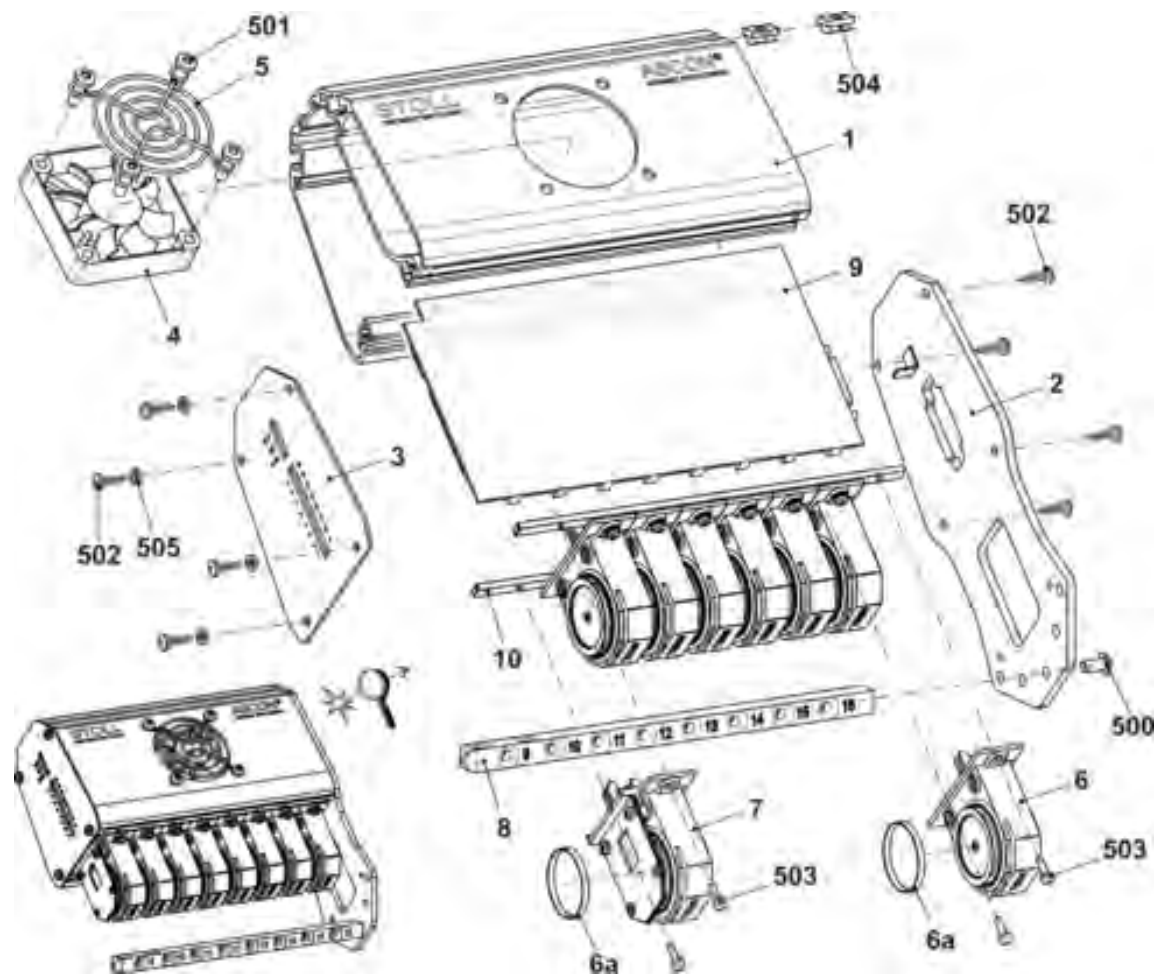
## 16.11 Yarn length measuring device on the left complete

Pos	Designation	Id	Pos	Designation	Id
Σ	Yarn length measuring device on the left complete	257 600			
1	Yarn length measuring device on the left complete	257 283	10	Operating instructions of ASCON assembly	259 381
2	Cable ASCON	257 239	500	T-head bolt M8x25	022 866
3	Support on the left	257 122	501	Serrated nut M8-10	023 026
4	Connecting lug on the left	257 137	502	Cap screw M4x8	022 501
5	Adjustment weight	212 241	503	Cable tape 302x4,8	008 642
8	DVD with operating instructions	258 391	504	Cap screw M5x12	020 132
9	Holding plate	258 386	505	Washer 5	020 871



16.11.1 Yarn length measuring device

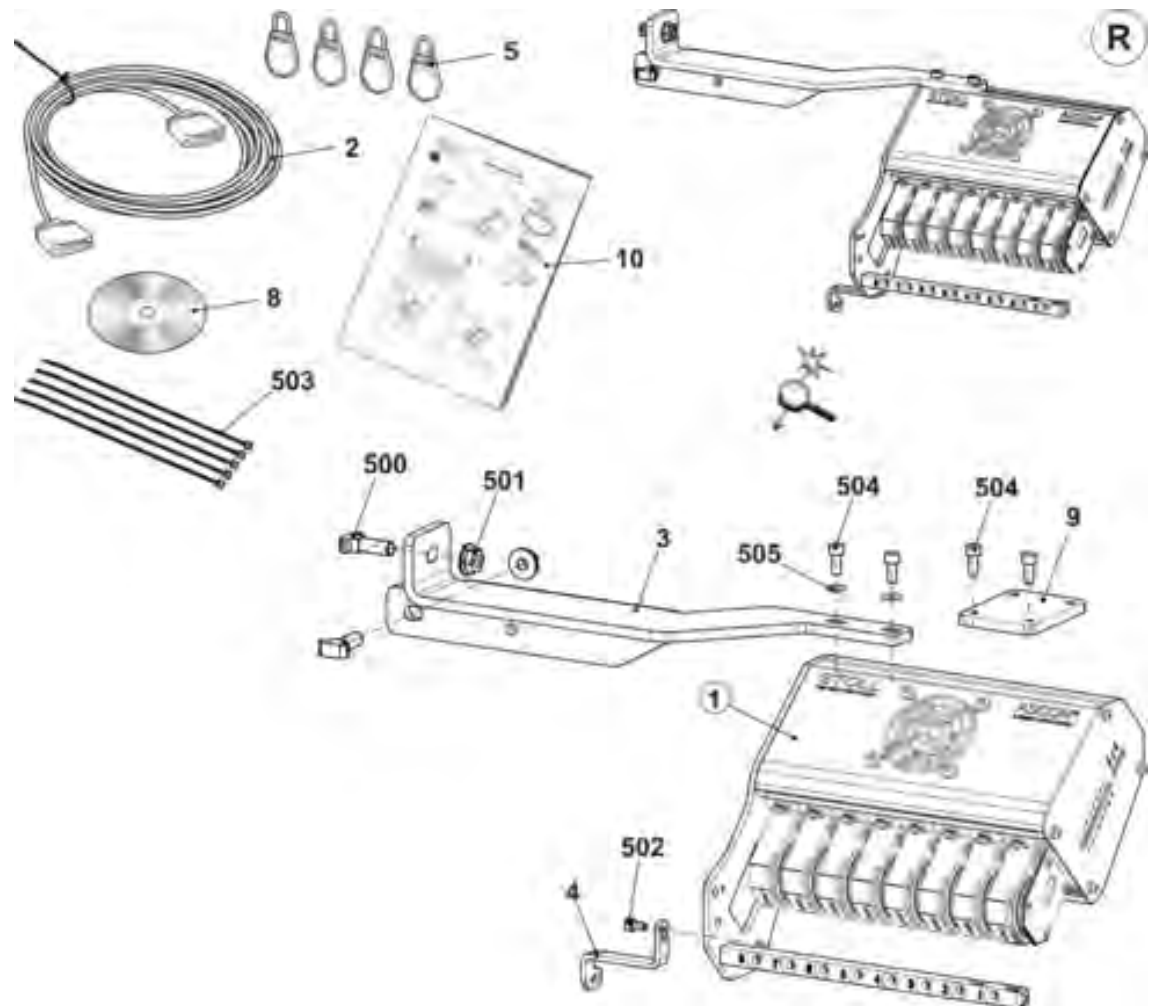
Pos	Designation	Id	Pos	Designation	Id
Σ	Yarn length measuring device on the left complete	257 283	8	Yarn guide rod	257 139
1	Housing	257 281	9	Card Ascon	255 000
2	Support	257 278	10	Threaded strip	257 138
3	Cover	257 273	500	Pan-head screw M5x10	023 247
4	Fan with plug	257 048	501	Screw 50x15	251 728
5	Protective grid fan Servo5	229 142	502	Sheet metal screw ST3,5x13	022 940
6	Sensor	211 354	503	Oval head screw with washer M3x10	023 380
6a	Rubber running ring	258 582	504	Spring nut M5	022 873
7	Sensor complete	212 406	505	Serrated lock washer J3,7	022 554



16.12 Yarn length measuring device on the right complete

## 16.12 Yarn length measuring device on the right complete

Pos	Designation	Id	Pos	Designation	Id
Σ	Yarn length measuring device on the right complete	257 599			
1	Yarn length measuring device on the right complete	257 282	6	Operating instructions of ASCON assembly	259 381
2	Cable ASCON	257 239	500	T-head bolt M8x25	022 866
3	Support right	257 121	501	Serrated nut M8-10	023 026
4	Connecting lug on the right	257 136	502	Cap screw M4x8	022 501
5	Adjustment weight	212 241	503	Cable tape 302x4,8	008 642
8	DVD with operating instructions	258 391	504	Cap screw M5x12	020 132
9	Holding plate	258 386	505	Washer 5	020 871



16.12.1 Yarn length measuring device on the right

Pos	Designation	Id	Pos	Designation	Id
Σ	Yarn length measuring device on the right complete	257 282	8	Yarn guide rod	257 139
1	Housing	257 281	9	Card Ascon	255 000
2	Support	257 278	10	Threaded strip	257 138
3	Cover	257 273	500	Pan-head screw M5x10	023 247
4	Fan with plug	257 048	501	Screw 50x15	251 728
5	Protective grid fan Servo5	229 142	502	Sheet metal screw ST3,5x13	022 940
6	Sensor	211 354	503	Oval head screw with washer M3x10	023 380
6a	Rubber running ring	258 582	504	Spring nut M5	022 873
7	Sensor complete	212 406	505	Serrated lock washer J3,7	022 554

