

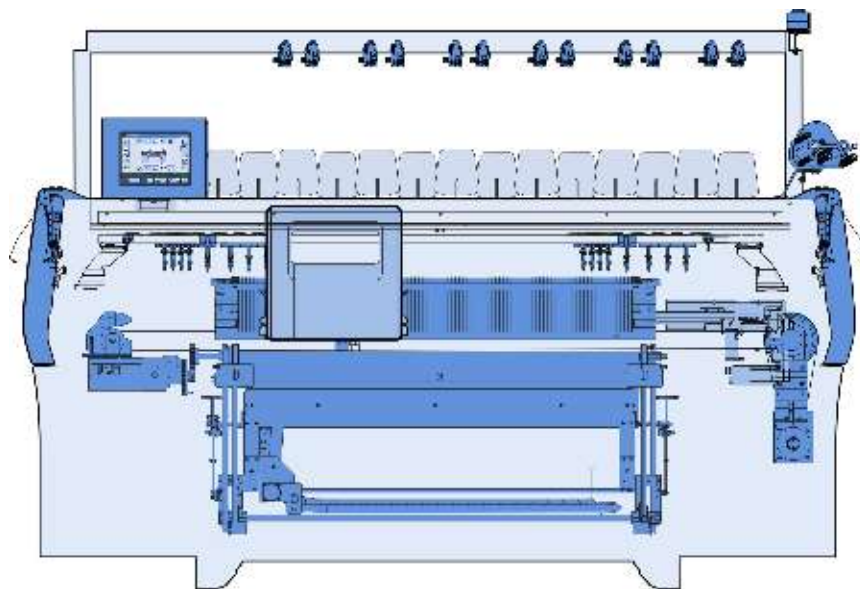
STOLL

Spare-parts catalog

CMS 502 HP+ (Type 658)

Component type 000

E10 | E12 | E14 | E16 | E18 | E12m.10 | E14/12 | E6.2 | E7.2 | E8.2



Document-no. 271681_00_EN

Release 2017/04

1 Introduction

Imprint

All rights reserved.

The utilisation of texts and pictures, also in extracts, without our agreement is unfavourable to the copyright.

Our products are being developed further continuously. They are therefore subject to technical modifications.

The indications of this catalog are without liability.

©

H. Stoll AG & Co.KG

Stollweg 1

D-72760 Reutlingen, Germany

Phone: +49 (07121) 313-289

Fax: +49 (07121) 313-347

e-mail: spareparts@stoll.com

Notes for the order

This catalog serves to order spare parts.

It can only be applied to the machine type recorded on the title page.

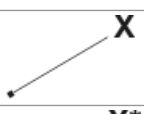

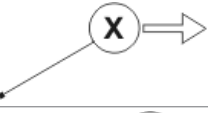
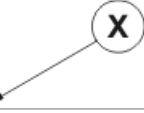
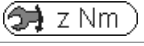

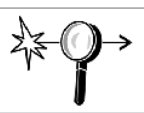
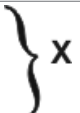



When ordering spare parts we imperatively ask for the following indications as otherwise a delivery of spare parts is not possible:

1. Type of machine, gauge, no. of machine.
2. Page no., designation, ID, quantity.

Only genuine STOLL spare parts may be used for repairs.

1.1 Search help

In order to make the search of the spare parts easier, the following elements will be used in the spare parts catalog:

Symbol	Meaning
Σ	Indicates an assembly
	Position indicator with the position number (X).
	Indicates an element of another assembly.
	Indicates an assembly which is represented more detailed beside.
	Indicates an assembly which is represented on another page more detailed.
	Screw torques (z) deviating from the preferential row.
	Detail, represented enlarged in the direction of the arrow.
	Explosion representation, single elements enlarged.
	Indicates a group of parts.
	Indicates the left side or view.
	Indicates the right-hand side or view.
	Indicates a sectional drawing or a view in the viewing direction.

1.2 Torques

Preferential row of screw torques

- Torques are **valid** for:
Connection steel-steel, black, phosphatized, galvanized, rolled or cut thread as well as only for plain (head) supports.
- Torques are **not valid** for:
protected screws with: lock washers, rib heads, coated and clamping screws and nuts. They are also not used for self-cutting threads.
- Torques differing from this preferential row of torques must be taken from the corresponding location in the drawings.

Drehmomente Torques Couples Coppias Momentos de rotación [Nm] ± 10 % (für $\mu_{ges} = 0,12$)		Festigkeitsklassen		
		Property class		
		Classes de résistance		
		Classi di resistenza		
		Clasas de resistencia		
		4,8	8,8	12,9
Regelgewinde Coarse-pitch thread Filetage à pas gros Filetto regolatore Filete regulador	M3	0,6	1,2	2,5
	M4	1,2	2,5	5
	M5	2,5	5	9
	M6	5	9	18
	M8		18	40
	M10		40	
	M12		80	

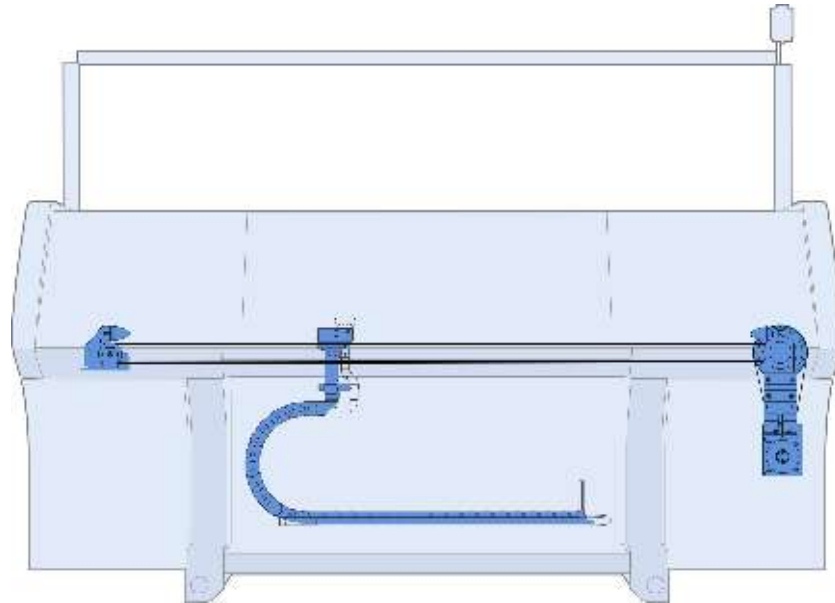
Table of Contents

1	Introduction	3
1.1	Search help	4
1.2	Torques	5
2	Carriage drive	11
2.1	Drive	12
2.1.1	Motor and belt drive	13
2.1.2	Tension bearing	14
2.2	Energy chain and carriage driver	15
3	Racking	17
3.1	Racking drive	18
4	Needle beds	19
4.1	Needle bed E12	20
4.1.1	Continuation needle bed E12	21
4.2	Needle bed E14	22
4.2.1	Continuation needle bed E14	23
4.3	Needle bed E16	24
4.3.1	Continuation needle bed E16	25
4.4	Needle bed E18	26
4.4.1	Continuation needle bed E18	27
4.5	Needle bed E6.2	28
4.5.1	Continuation needle bed E6.2	29
4.6	Needle bed E7.2	30
4.6.1	Continuation needle bed E7.2	31
4.7	Needle bed E8.2	32
4.7.1	Continuation needle bed E8.2	33
4.8	Needle bed E6.2 (12m.10)	34
4.8.1	Continuation needle bed E6.2(12m.10)	35
4.9	Needle bed E7.2(14/12)	36
4.9.1	Continuation needle bed E7.2(14/12)	37
4.10	Needle beds, connection screws	38
4.11	Right clamping and cutting bed E10 E12 E14 E6.2 E7.2 E6.2(E12m.10) E14/12	39
4.12	Right clamping and cutting bed E16 E18 E8.2	40
4.13	Yarn brake at clamping and cutting bed	41
5	Carriage	43
5.1	Overview of carriage	44
5.2	Overview of carriage, continuation	45
5.3	Cam box E12	46
5.3.1	Cams E12	47
5.4	Cam box E14 E14/12	48
5.4.1	Cams E14 E14/12	49
5.5	Cam box E16 E18	50
5.5.1	Cams E16 E18	51
5.6	Cam box E12m.10	52
5.6.1	Cams E12m.10	53
5.7	Cam box E6.2	54
5.7.1	Cams E6.2	55
5.8	Cam box E7.2	56
5.8.1	Cams E7.2	57
5.9	Cam box E8.2	58
5.9.1	Cams E8.2	59
5.10	Carriage assembly	60
5.11	Carriage guide	61
5.12	Carriage cover	62
5.13	Yarn Carrier Drive	63
5.14	Brush holder	64

5.15	Needle detector	65
5.16	Holding-down jack control and slider	66
5.17	Spare parts package carriage guide bar	67
6	Main Take-down	69
6.1	Main take-down E10 E12 E14 E6.2(12m.10) E7.2(14/12) E6.2 E7.2	70
6.2	Main take-down E16 E18 E8.2	71
6.3	Main take-down on the left	72
6.4	Main take-down on the right	73
6.5	Mounting plate on the left and right	74
6.6	Swivel-mounted bearing	75
6.7	Full floating axle on the left and the right	76
6.8	Main take-down in the middle E10 E12 E14 E6.2(12m.10) E7.2(14/12) E6.2 E7.2	77
6.8.1	Rear take-down roller E10 E12 E14 E6.2(12m.10) E7.2(14/12) E6.2 E7.2	78
6.9	Main take-down in the middle E16 E18 E8.2	79
6.9.1	Rear take-down roller 16 E18 E8.2	80
6.10	Front take-down roller	81
6.11	Angle rail	82
7	Auxiliary Take-down	83
7.1	Auxiliary Take-down	84
7.2	Auxiliary take-down pre-assembled	85
7.2.1	Right bearing of the auxiliary take-down	86
7.2.2	Left bearing of the auxiliary take-down	87
7.3	Motor	88
7.4	Yarn brake at clamping and cutting bed	89
8	Comb Take-down	91
8.1	Comb Take-down	92
8.2	Comb take-down on the left	93
8.3	Comb take-down on the right	94
8.3.1	Drive shaft of comb	95
8.3.2	Swivel lever comb take-down	96
8.4	Comb take-down in the middle	97
8.4.1	Comb unit	98
8.4.2	Switching lever comb take-down	99
9	Belt Take-Down	101
9.1	Belt Take-Down	102
9.2	Belt	103
9.3	Drive unit	104
9.4	Support on the left	105
9.5	Winding guard	106
9.6	Yarn brake	107
10	Yarn delivery device	109
10.1	Yarn guide device	110
10.2	Safety door E10-18	111
10.3	Yarn Tensioner	112
10.3.1	Tension axle	113
10.4	Bobbin board	114
10.5	Yarn guide complete E10-18	115
10.6	Bar unit	116
10.7	Right friction feed wheel	117
10.8	Stopping device on the right	118
11	Operation and control	119
11.1	Input unit	120
11.2	Starting device	121
11.2.1	Bearing of the engaging rod	122
11.3	Shock stop motion	123
11.4	Signal light	124
11.5	Control of Collecting Area	125

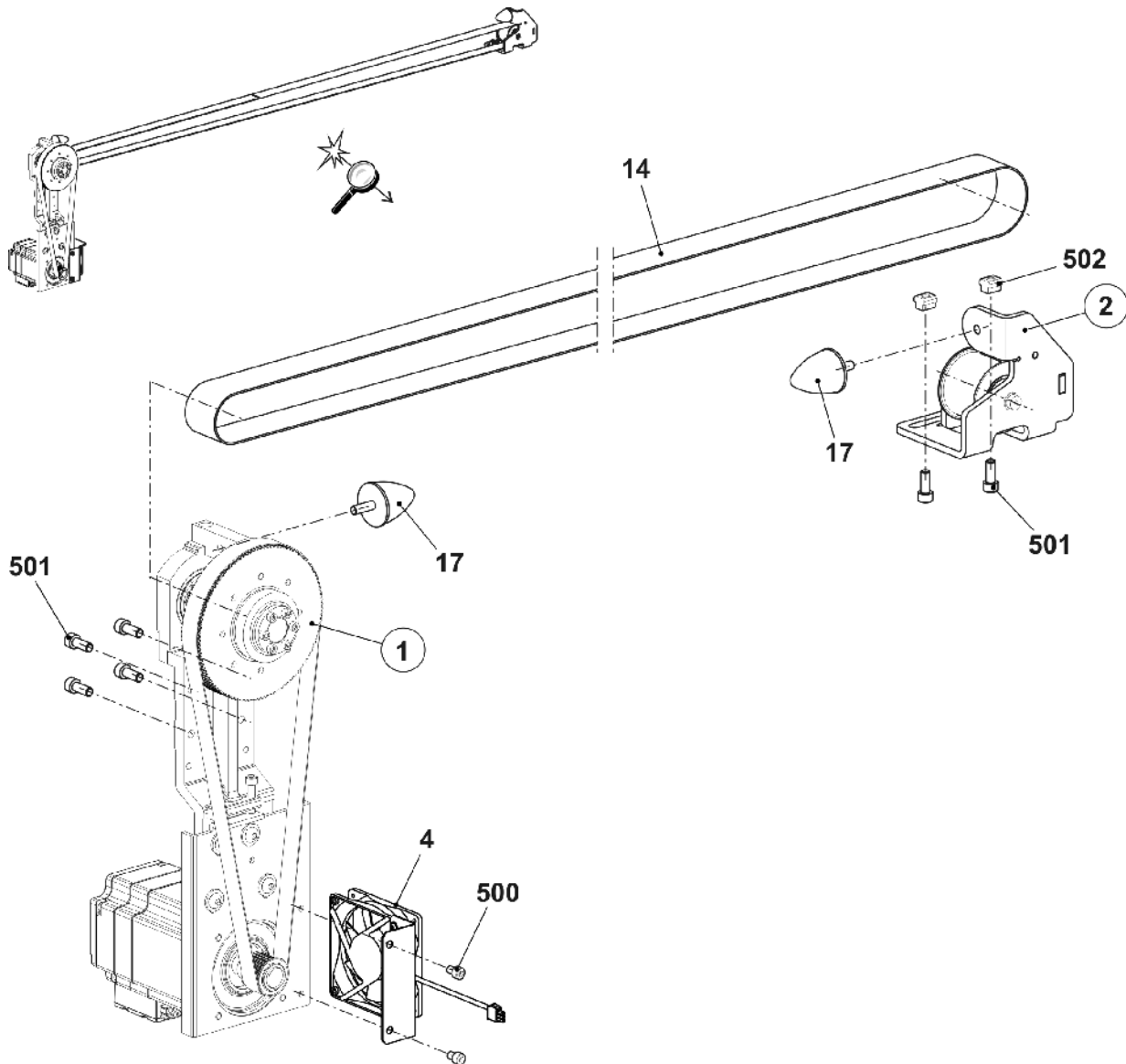
11.6	Measuring device	126
12	Protective device	127
12.1	Lateral safety doors	128
12.2	Panelling	129
12.3	Rear panel	130
13	Electrical equipment	131
13.1	Circuit diagram (223) as PDF	132
13.2	Trailing cable	134
13.3	Cable set installation part 1	135
13.4	Cable set installation part 2	136
13.5	Cable set installation part 1, belt take-down	137
13.6	Cable set installation part 2, belt take-down	138
14	Control electronics	139
14.1	Control cabinet	140
15	Accessories	141
15.1	Accessories standard	142
15.2	Carriage of plating yarn carrier	143
16	Special attachment	145
16.1	Carriage of plating yarn carrier (adjustable)	146
16.2	Bobbin holder on the right	147
16.3	Yarn length measuring device on the left complete	148
16.3.1	Yarn length measuring device	149
16.4	Yarn length measuring device on the right complete	150
16.4.1	Yarn length measuring device on the right	151
16.5	Friction feed wheel on the left	152
16.5.1	Left friction feed wheel	153
16.5.2	Stopping device on the left	154
16.6	Storage feed wheel MSF-3 complete E10-18	155
16.6.1	Stopping device E10-18	156
16.7	Sanding Paper Brake	157
16.8	Adjusting plates, Device needle bed complete	158

2 Carriage drive



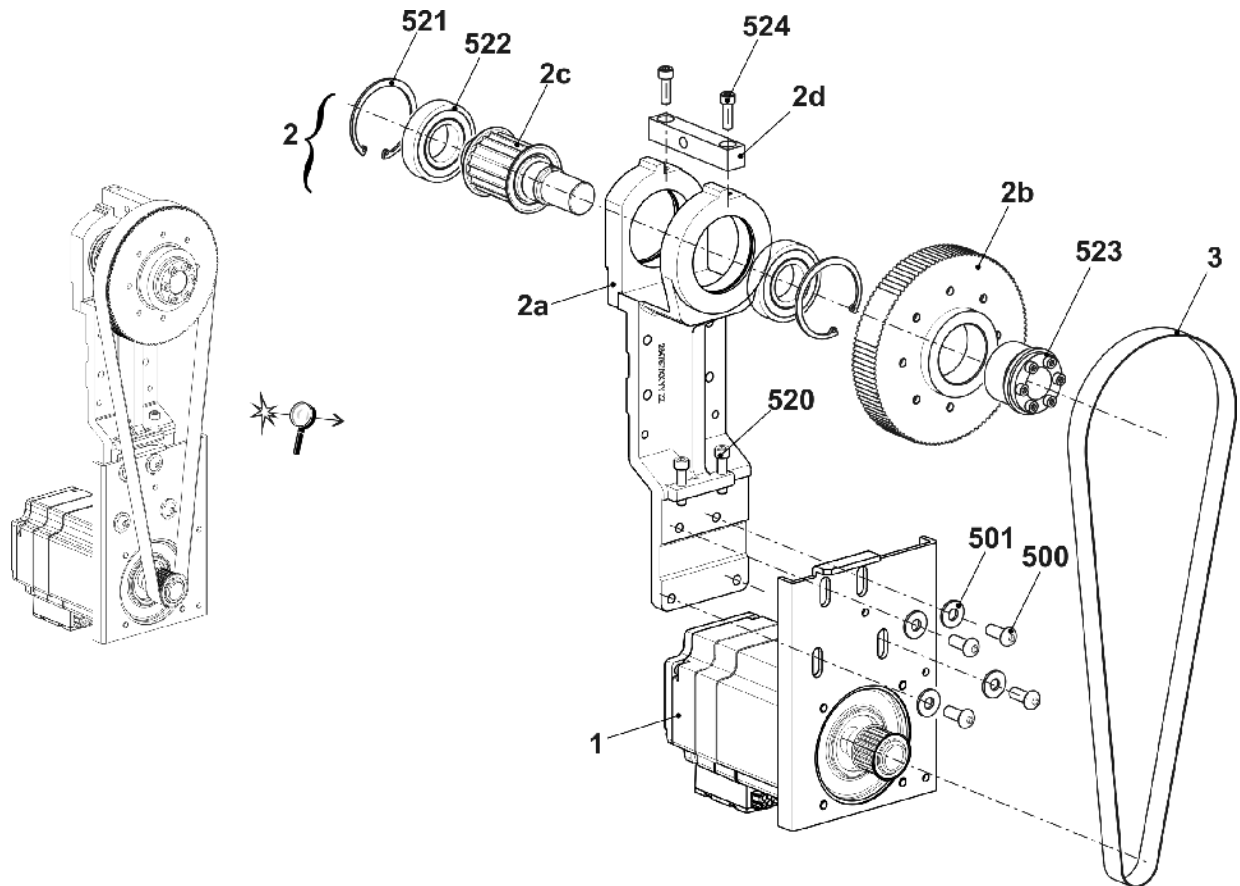
2.1 Drive

Pos	Designation	Id	Pos	Designation	Id
Σ	Drive unit				
1	Drive unit complete	270 843	17	Parabolic spring	200 661
2	Tension bearing complete	251 581	500	Cap screw M8x12	023 138
4	Fan complete	253 692	501	Cap screw M10x25	020 157
14	Toothed belt 50AT10/4170 HP	251 607	502	Nut M10x12	023 471



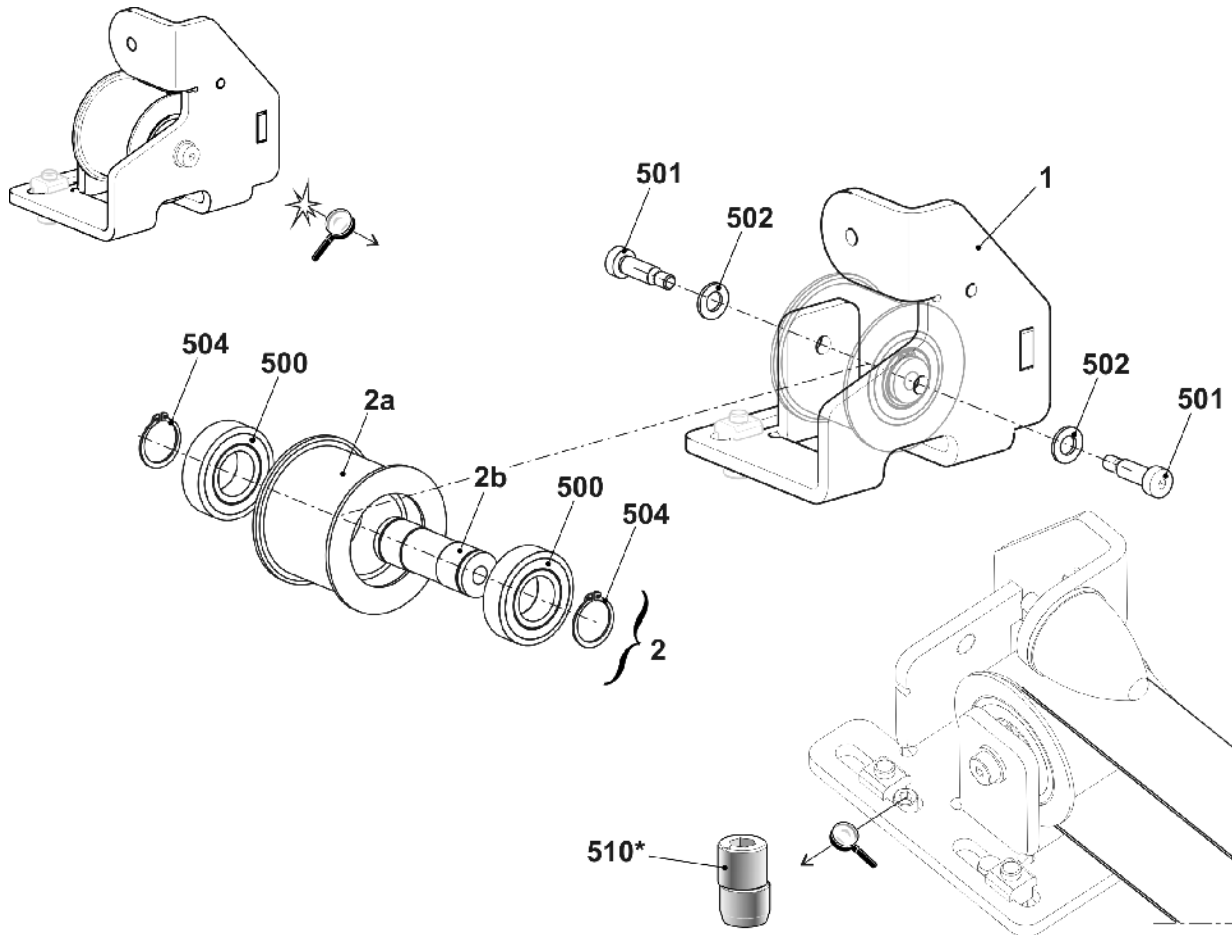
2.1.1 Motor and belt drive

Pos	Designation	Id	Pos	Designation	Id	
Σ	Drive unit complete	253 877				
1	Drive unit	258 188	521	Retaining ring 68x2.5	022 914	
2	Drive bearing complete	264 764	522	Grooved ball bearing 6207-2RS	022 915	
	2a	Drive bearing	264 758	523	Tension set 30X55	023 208
	2b	Toothed belt pulley	240 616	524	Cap screw M8X25 12.9	020 142
	2c	Pinion 57 AT10 18	242 039	3	Toothed belt	252 594
	2d	Support of buffer	222 100	500	Pan head screw M10X25	023 684
	520	Cap screw M8X35	020 144	501	Disk 10,5X25X2,5	022 178



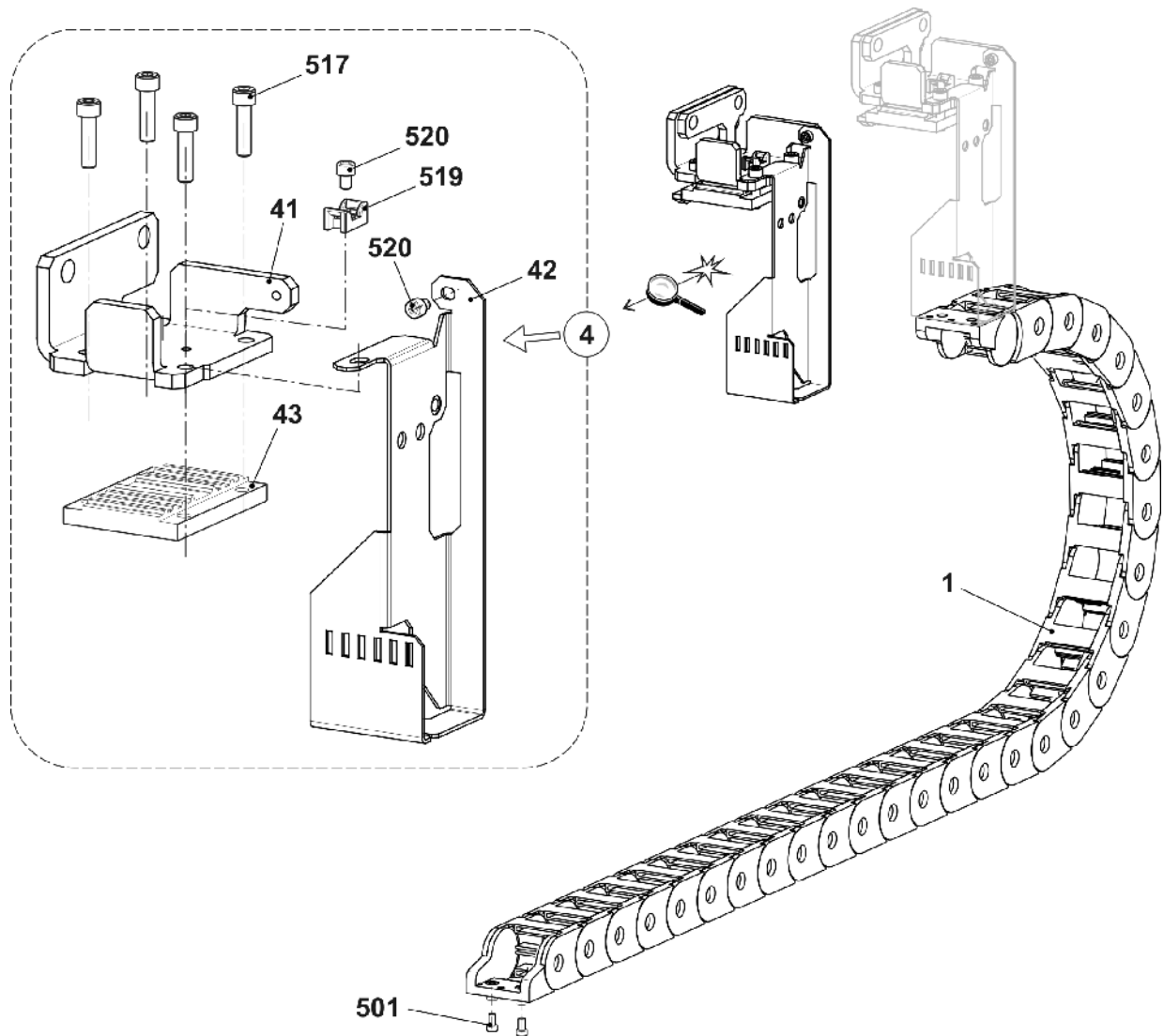
2.1.2 Tension bearing

Pos	Designation	Id	Pos	Designation	Id
Σ	Tension bearing complete	251 581	2	500 Grooved ball bearing 625-6305-2RS	255 686
1	Tension bearing	251 560		504 Retaining ring 471-25x1,2	251 617
2	Tension roller complete	256 640	501	Cap screw M10x25	023 751
	2a Tension roller	255 684	502	Washer	020 874
	2b Axle	251 579	510*	Eccentric	255 499

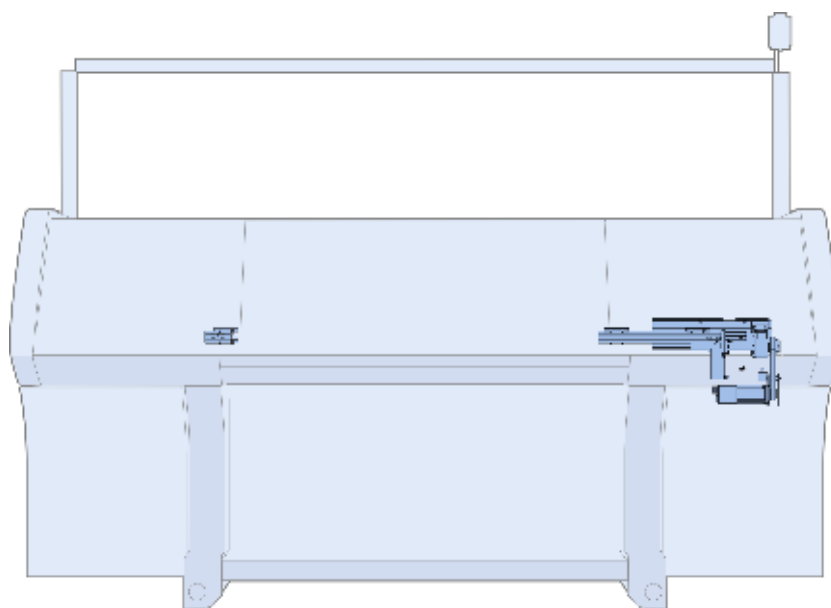


2.2 Energy chain and carriage driver

Pos	Designation	Id	Pos	Designation	Id		
1	Energy chain 27 links	253 896	4	43	Clamping plate	252 592	
501	Cap screw M6x8	023 411		517	Cap screw M8x30	020 143	
4	Carriage driver complete	265 264		519	Fixing element	026 489	
	41	Carriage driver		260 689	520	Cap screw M6x8	023 411
	42	Cable driver		259 287			

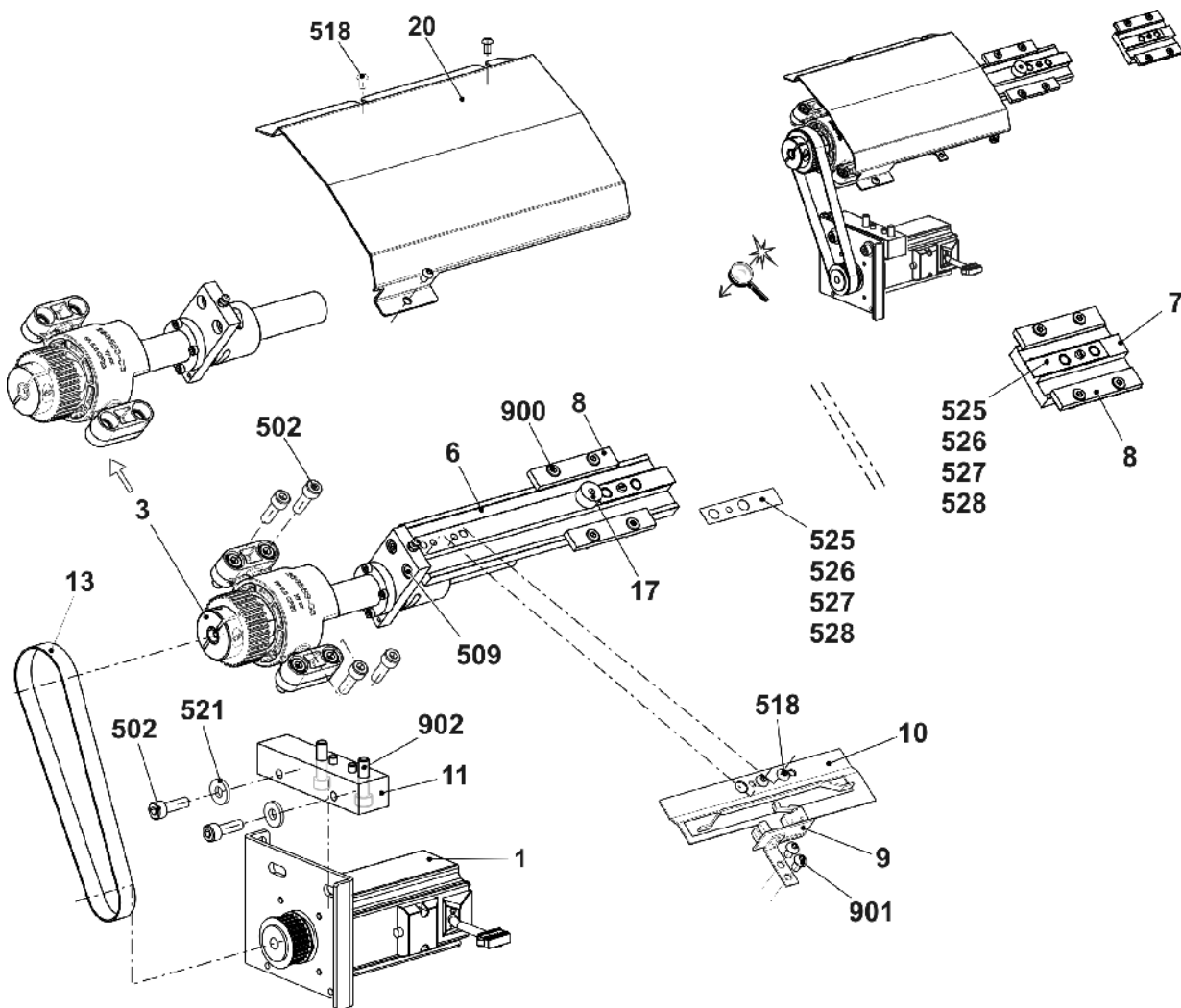


3 Racking

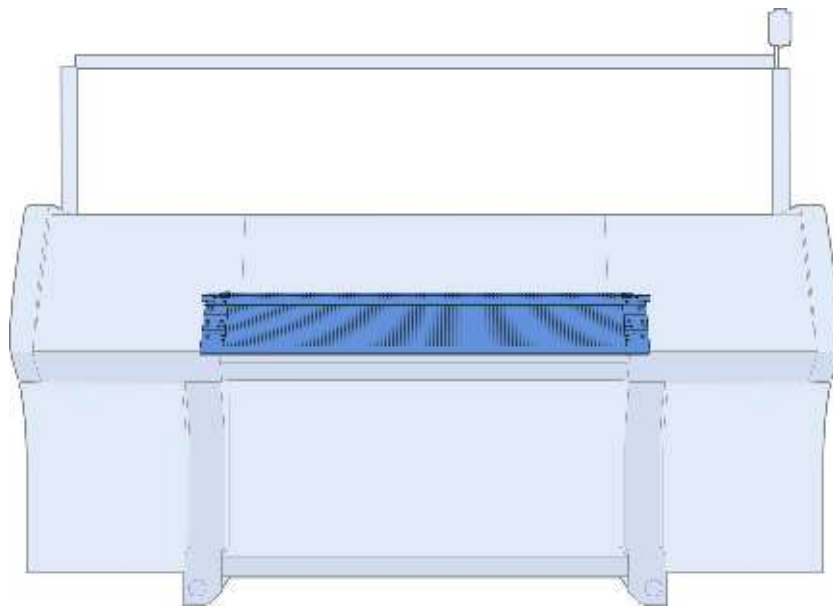


3.1 Racking drive

Pos	Designation	ID	Pos	Designation	ID
Σ	Racking				
1	Racking motor EKC complete	270 086	502	Cap screw M8x25	020 142
3	Spindle bearing	267 554	509	Cap screw M6x16	023 116
6	Racking strip	264 802	518	Pan head screw M6x10	023 183
7	Racking strip on the left	240 696	521	Washer 8,4X20X3	022 175
8	Guide strip	206 382	525	Shim 0,03x15x75	023 395
9	Card racking limit switch	229 396	526	Shim 0,05x15x75	023 396
10	Switch plate	240 722	527	Shim 0,1x15x75	023 397
11	Bearing racking motor	264 630	528	Shim 0,2x15x75	023 398
13	Toothed belt 150 S 5M 490	229 281	900	Cap screw M6x12	022 795
17	Stop screw	221 386	901	Pan head screw M6x10	023 183
20	Racking cover plate	264 803	902	Cap screw M8x30	020 143

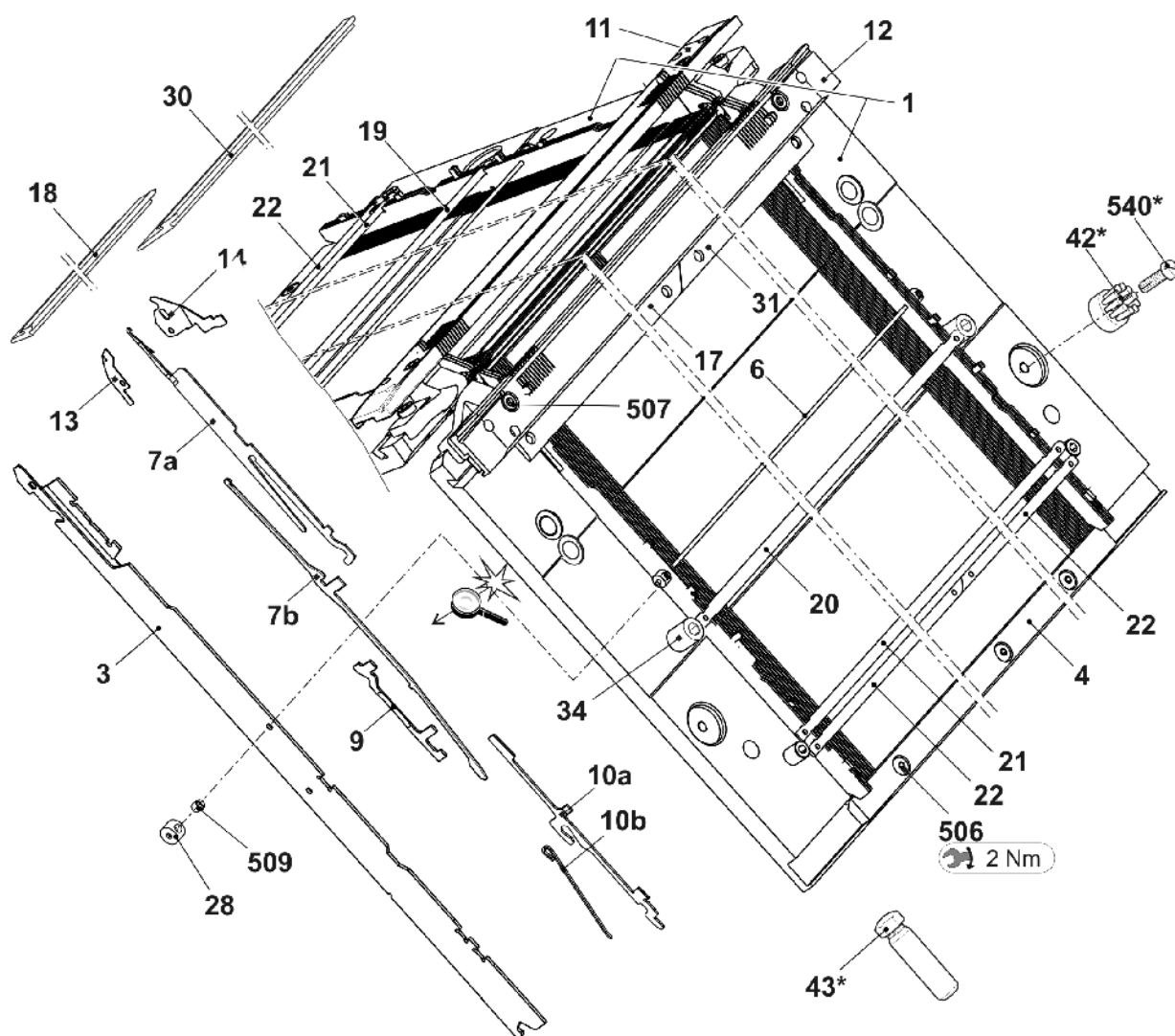


4 Needle beds



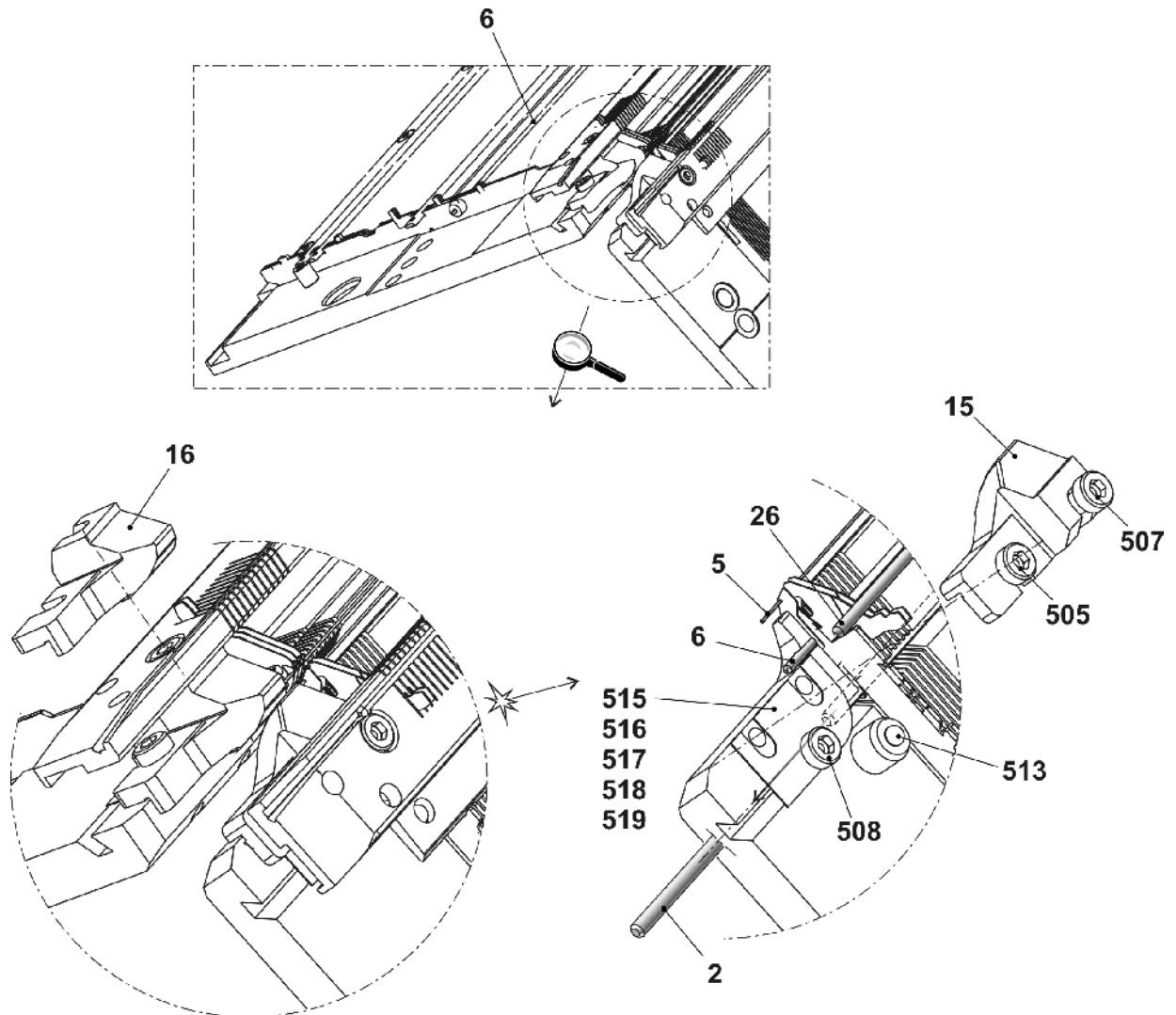
4.1 Needle bed E12

Pos	Designation	Id. no.	Pos	Designation	Id. no.
Σ	Needle bed complete at the front and rear E12	258 475	18	Needle bar rear on the right	237 836
1	Needle bed at the front + rear E12	258 455	19	Cover rail at the rear	250 572
3	Main trick wall E12	260 343	20	Cover rail at the front E12	250 593
4	Pressure slide E12-14	252 040	21	Cover rail	250 575
6	Spring steel wire ø2,0	207 269	22	Cover rail	250 576
7a	Needle E12	204 009	28	Bush	206 090
7b	Coupling part E10 - E12	253 382	30	Needle bar on the left at the rear	253 908
9	Intermediate slider with brake E10-12	255 535	31	Needle bar on the right at the rear	253 910
10a	Selection jack E10-12	200 688	34	Stop screw	235 244
10b	Selector spring E10-12	200 691	506	Cap screw M5x8	023 379
11	Holding-down jack bed at the rear E12	250 545	507	Cap screw M5x22	023 193
12	Holding-down jack bed at the front E12	250 544	509	Setscrew M3,5x3-1	020 512
13	Knock-over bit E12	259 212	42*	Disk brush	202 600
14	Holding-down jack trick wall E12	259 213	43*	Adjusting bolt	251 772
17	Needle bar on the left at the front	237 835	540*	Cap screw M5x12	020 032



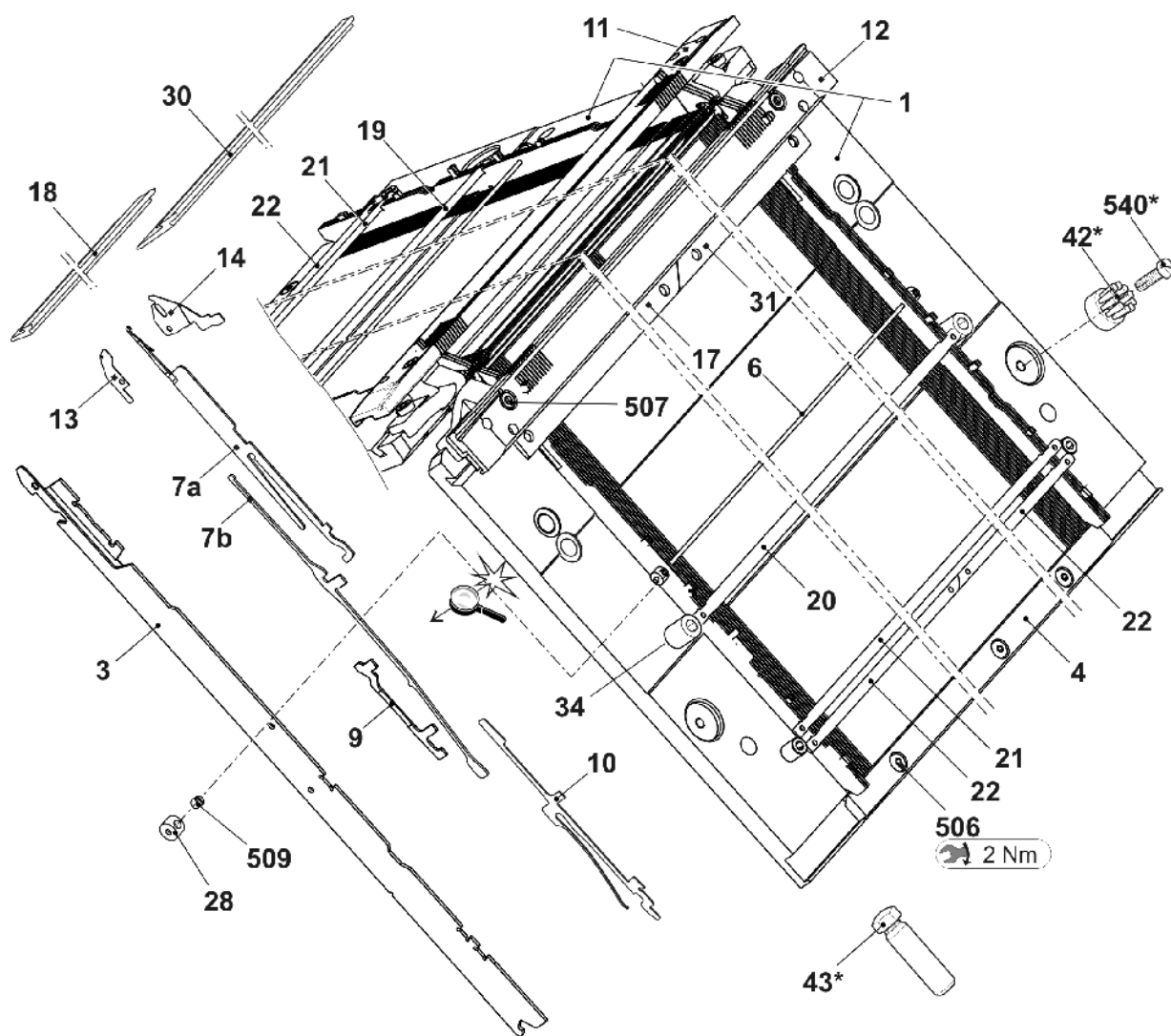
4.1.1 Continuation needle bed E12

Pos	Designation	Id. no.	Pos	Designation	Id. no.
Σ	Needle bed complete at the front and rear E12	258 475	505	Cap screw M5x8-8.8	023 154
2	Locating wire $\varnothing 3,4$	208 389	507	Cap screw M5x22	023 193
5	Spring steel wire $\varnothing 0,6$	208 388	508	Cap screw M5x12-8.8	022 943
6	Spring steel wire $\varnothing 2,0$	207 269	513	Springy thrust piece	023 177
15	Limiters on the left E10 - E14	205 764	517	Shim0,05x18,5x34	023 196
16	Limiters on the right E10 - E14	205 765	518	Shim0,1x18,5x34	023 197
26	Locating wire $\varnothing 2,8$	207 270	519	Shim0,2x18,5x34	023 253



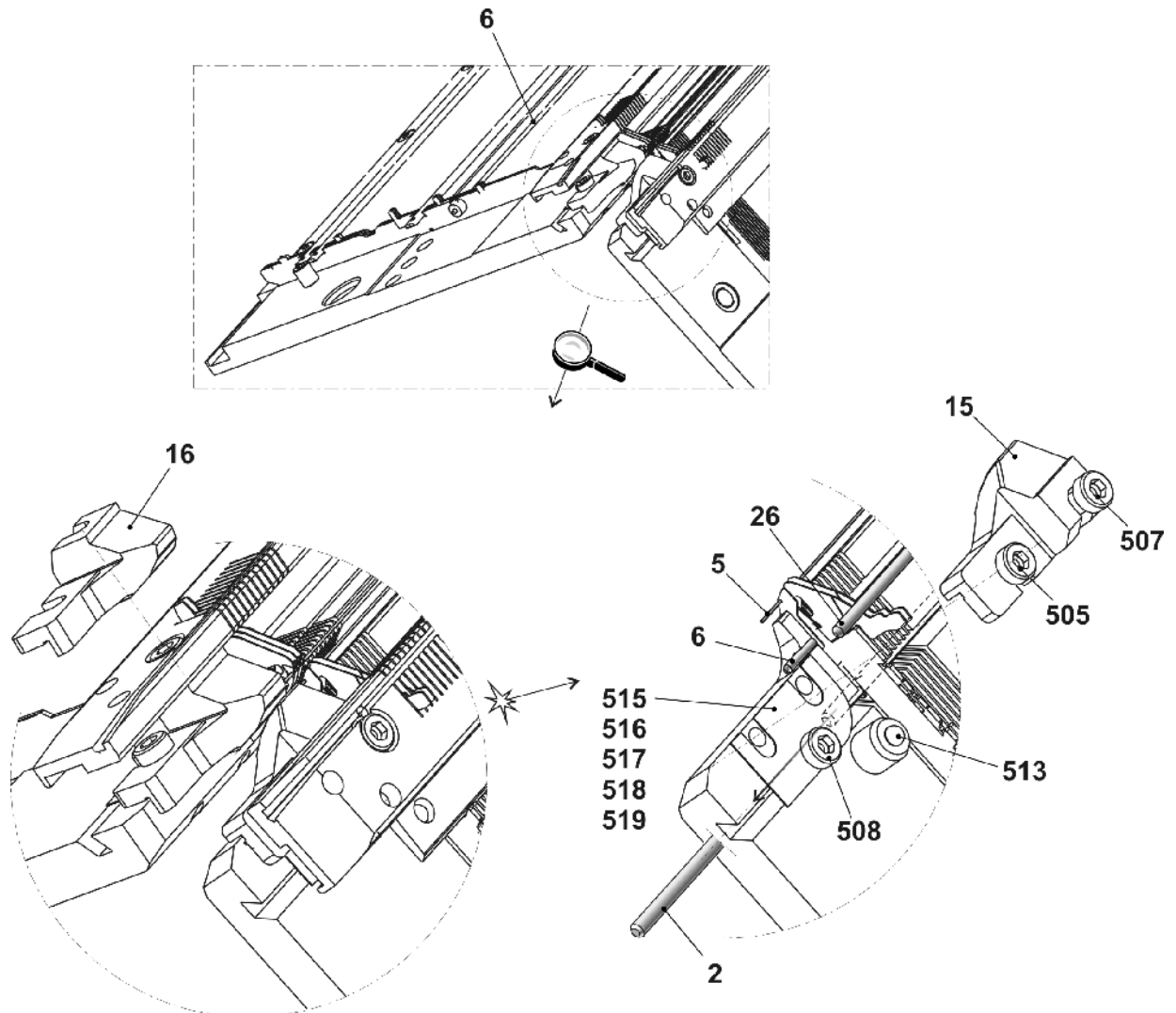
4.2 Needle bed E14

Pos	Designation	Id. no.	Pos	Designation	Id. no.
Σ	Needle bed complete at the front and rear E14	258 476			
1	Needle bed at the front + rear E14	258 456	19	Cover rail at the rear	250 572
3	Main trick wall E14	260 344	20	Cover rail at the front E14	250 571
4	Pressure slide E12 - E14	252 040	21	Cover rail	250 575
6	Spring steel wire ø2,0	207 269	22	Cover rail	250 576
7a	Needle E14	209 614	28	Bush	206 090
7b	Coupling part E14	253 383	30	Needle bar on the left at the rear	253 908
9	Intermediate slider with brake E14+7.2	255 536	31	Needle bar on the right at the rear	253 910
10	Selection jack with spring E14	224 725	34	Stop screw	235 244
11	Holding-down jack bed at the rear E14	250 547	506	Cap screw M5x8	023 379
12	Holding-down jack bed at the front E14	250 546	507	Cap screw M5x22	023 193
13	Knock-over bit E14	209 649	509	Setscrew M3,5x3-1	020 512
14	Holding-down jack trick wall E14	235 262	42*	Disk brush	202 600
17	Needle bar on the left at the front	237 835	43*	Adjusting bolt	251 772
18	Needle bar rear on the right	237 836	540*	Cap screw M5x12	020 032



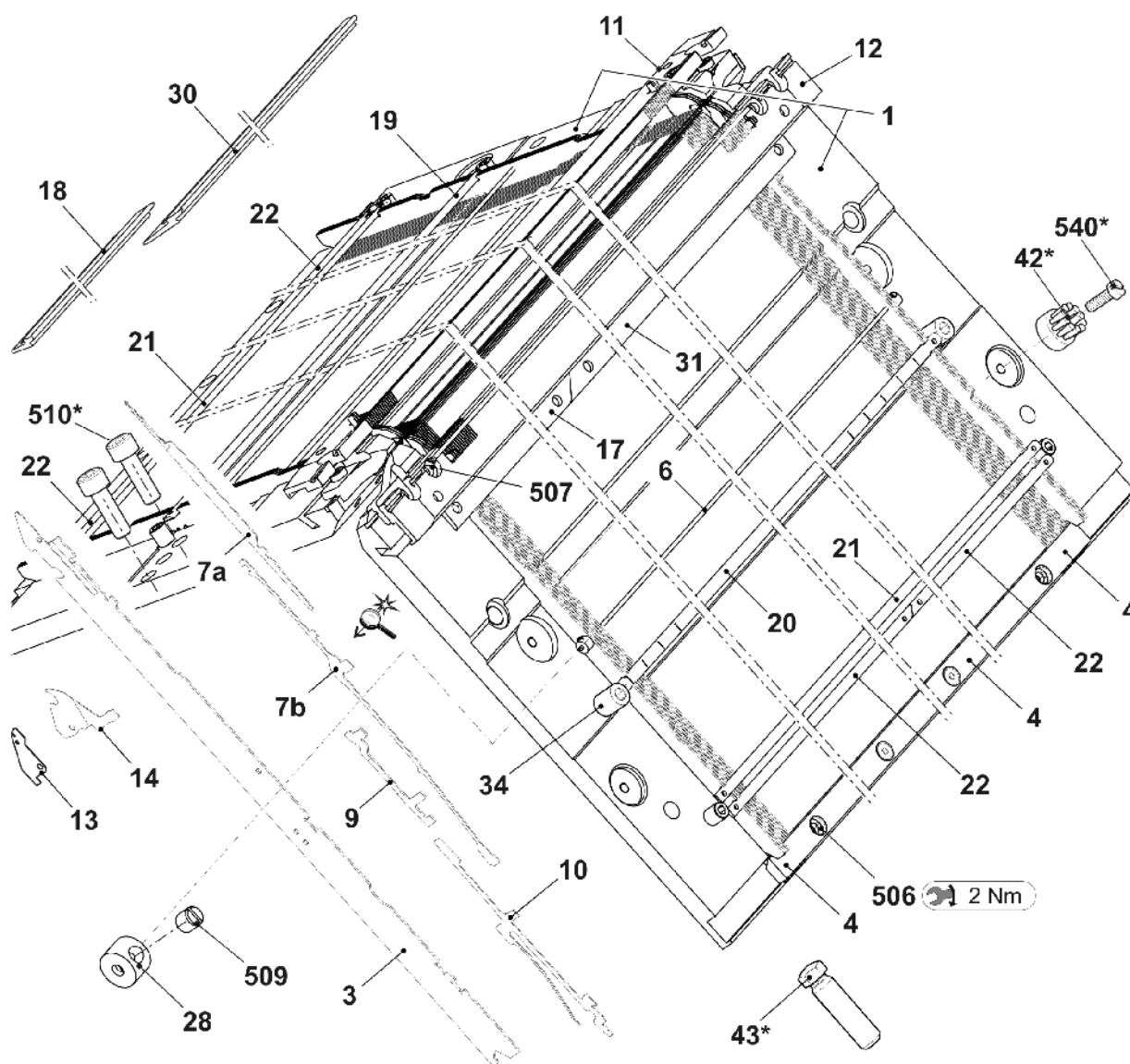
4.2.1 Continuation needle bed E14

Pos	Designation	Id. no.	Pos	Designation	Id. no.
Σ	Needle bed complete at the front and rear E14	258 476	505	Cap screw M5x8-8.8	023 154
2	Locating wire $\varnothing 3,4$	208 389	507	Cap screw M5x22	023 193
5	Spring steel wire $\varnothing 0,6$	208 388	508	Cap screw M5x12-8.8	022 943
6	Spring steel wire $\varnothing 2,0$	207 269	513	Springy thrust piece	023 177
15	Limiters on the left E10 - E14	205 764	517	Shim 0,05x18,5x34	023 196
16	Limiters on the right E10 - E14	205 765	518	Shim 0,1x18,5x34	023 197
26	Locating wire $\varnothing 2,8$	207 270	519	Shim 0,2X18,5X34	023 253



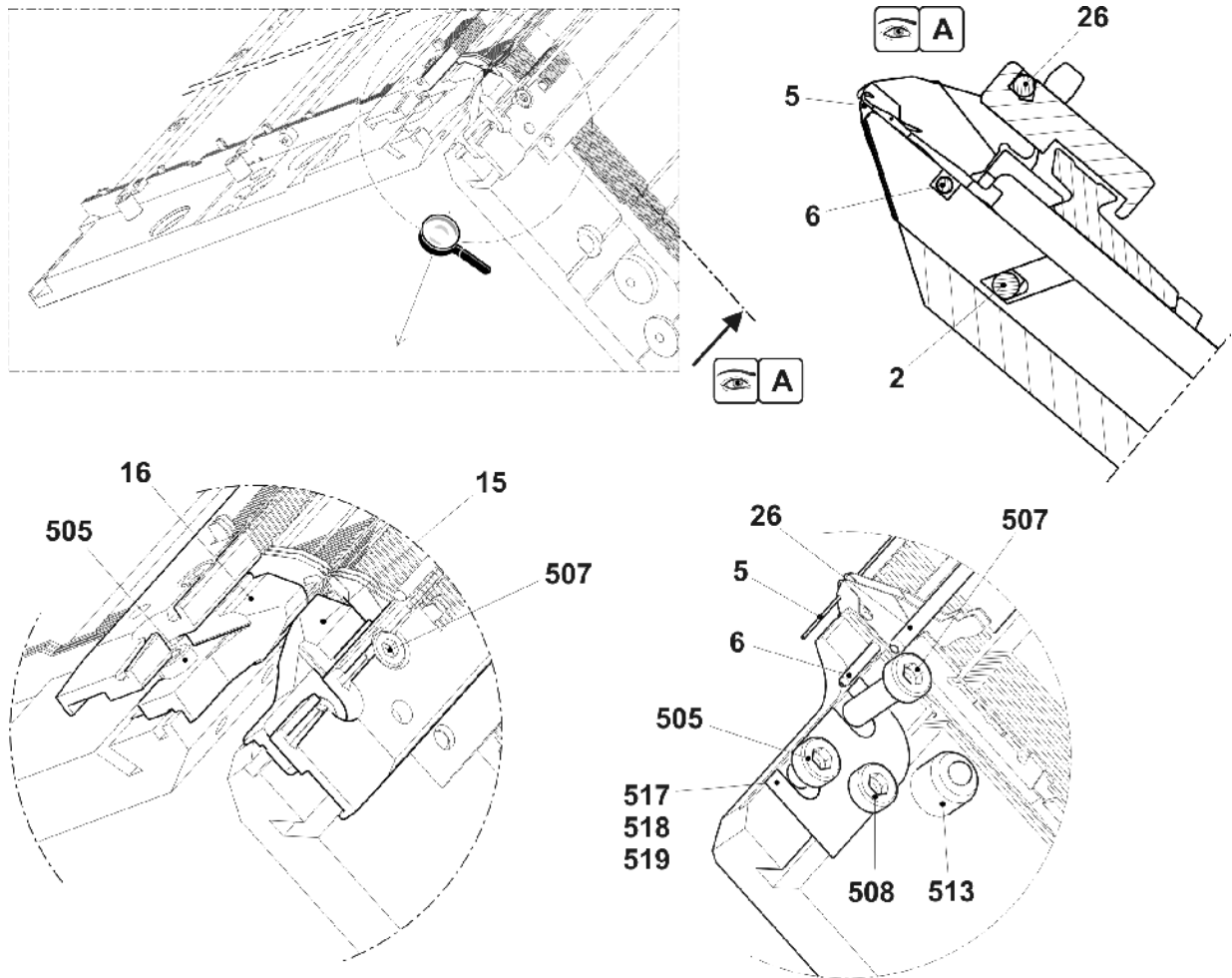
4.3 Needle bed E16

Pos	Designation	Id. no.	Pos	Designation	Id. no.
Σ	Needle bed complete at the front and rear complete E16	258 477	19	Cover rail at the rear	250 572
1	Needle bed at the front + rear E16	258 457	20	Cover rail at the front E16	250 587
3	Main trick wall E16	245 319	21	Cover rail	250 575
4	Pressure slide E12-14	252 040	22	Cover rail	250 576
6	Spring steel wire $\varnothing 2,0$	207 269	28	Bush	206 090
7a	Needle E16	232 243	30	Needle bar on the left at the rear	253 908
7b	Coupling part E16-18	253 384	31	Needle bar on the right at the rear	253 910
9	Intermediate slider with brake E16-18	255 537	34	Stop screw	235 244
10	Selection jack E16-20	222 265	506	Cap screw M5x8	023 379
11	Holding-down jack bed at the rear E16	250 549	507	Cap screw M5x22	023 193
12	Holding-down jack bed at the front E16	250 548	509	Setscrew M3,5x3-1	020 512
13	Knock-over bit wire position E8.2	261 865	42*	Disk brush $\varnothing 12$	202 600
14	Holding-down jack E16	264 106	43*	Adjusting bolt	251 772
17	Needle bar on the left at the front	237 835	510*	Cap screw M8x25	020 142
18	Needle bar rear on the right	237 836	540*	Cap screw M5x12	020 032



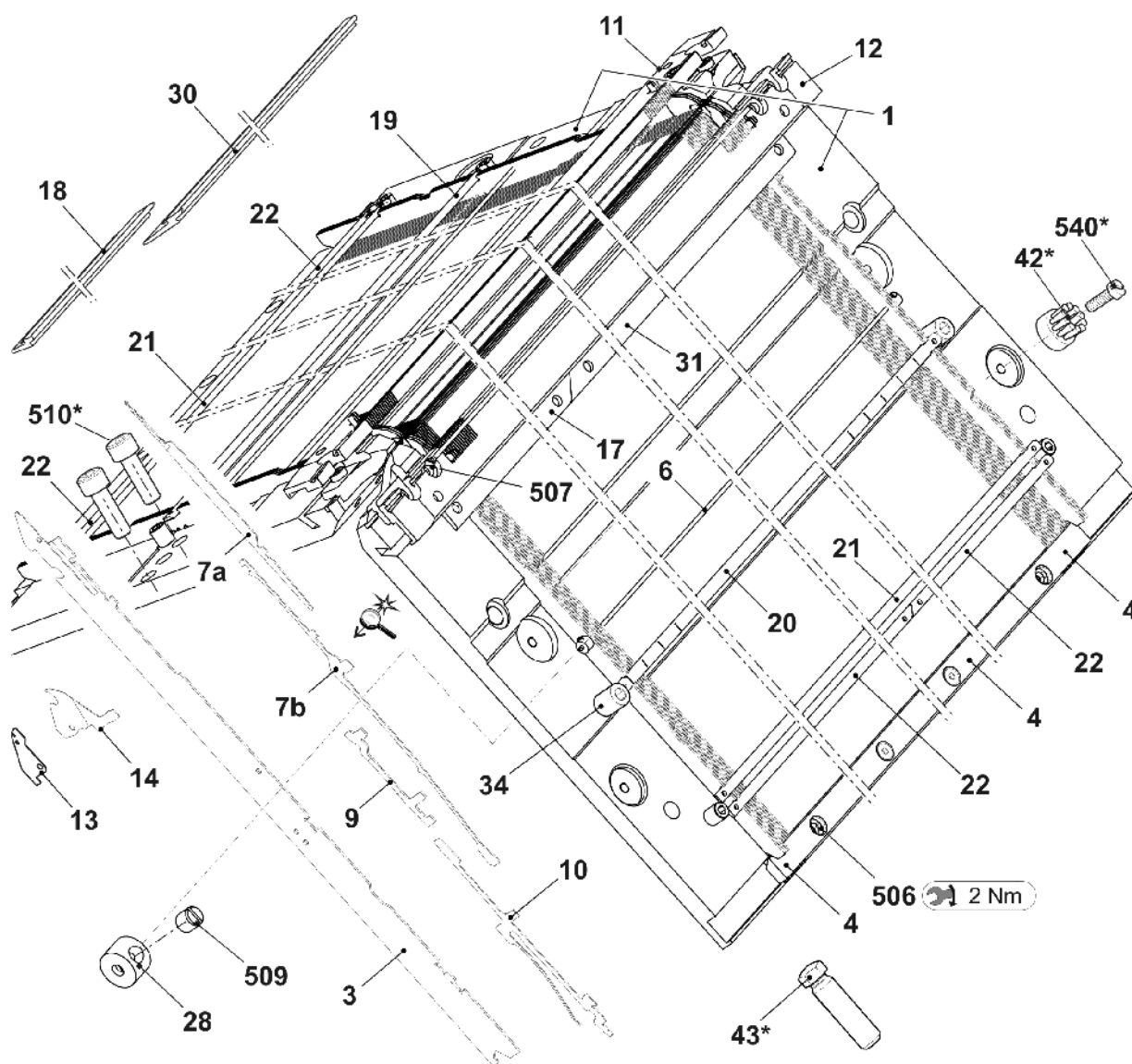
4.3.1 Continuation needle bed E16

Pos	Designation	Id. no.	Pos	Designation	Id. no.
Σ	Needle bed complete at the front and rear complete E16	258 477	505	Cap screw M5x8	023 154
2	Locating wire $\varnothing 3,4$	208 389	507	Cap screw M5x22	023 193
5	Spring steel wire $\varnothing 0,5$	250 690	508	Cap screw M5x12	022 943
6	Spring steel wire $\varnothing 2,0$	207 269	513	Springy thrust piece	023 177
15	Limiters on the left E16-20	220 821	517	Shim 0,05x18,5x34	023 196
16	Limiters on the right E16-20	220 822	518	Shim 0,1x18,5x34	023 197
26	Locating wire $\varnothing 2,8$	256 860	519	Shim 0,2x18,5x34	023 253



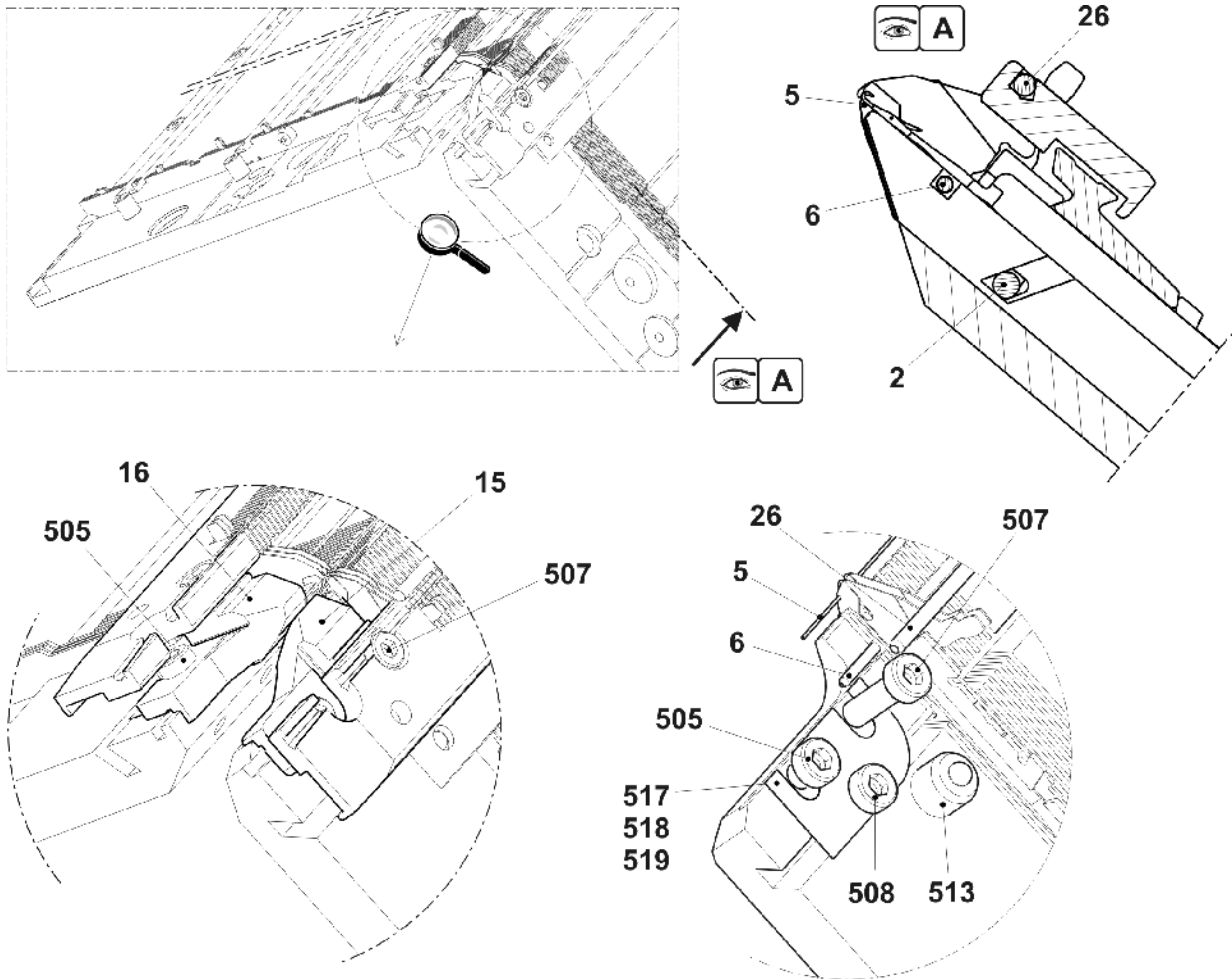
4.4 Needle bed E18

Pos	Designation	Id. no.	Pos	Designation	Id. no.
Σ	Needle bed complete at the front and rear complete E18	258 478	19	Cover rail at the rear	250 572
1	Needle bed at the front + rear E18	258 458	20	Cover rail at the front E18	256 864
3	Main trick wall E18	251 051	21	Cover rail	250 575
4	Pressure slide E12-14	252 040	22	Cover rail	250 576
6	Spring steel wire $\varnothing 2,0$	207 269	28	Bush	206 090
7a	Needle E18	239 527	30	Needle bar on the left at the rear	253 908
7b	Coupling part E16-18	253 384	31	Needle bar on the right at the rear	253 910
9	Intermediate slider with brake E16-18	255 537	34	Stop screw	235 244
10	Selection jack E16-20	222 265	506	Cap screw M5x8	023 379
11	Holding-down jack bed at the rear E18	250 551	507	Cap screw M5x22	023 193
12	Holding-down jack bed at the front E18	250 550	509	Setscrew M3,5x3-1	020 512
13	Knock-over bit wire position 0,8 mm E18	263 927	42*	Disk brush $\varnothing 12$	202 600
14	Holding-down jack E18	264 107	43*	Adjusting bolt	251 772
17	Needle bar on the left at the front	237 835	510*	Cap screw M8x25	020 142
18	Needle bar rear on the right	237 836	540*	Cap screw M5x12	020 032



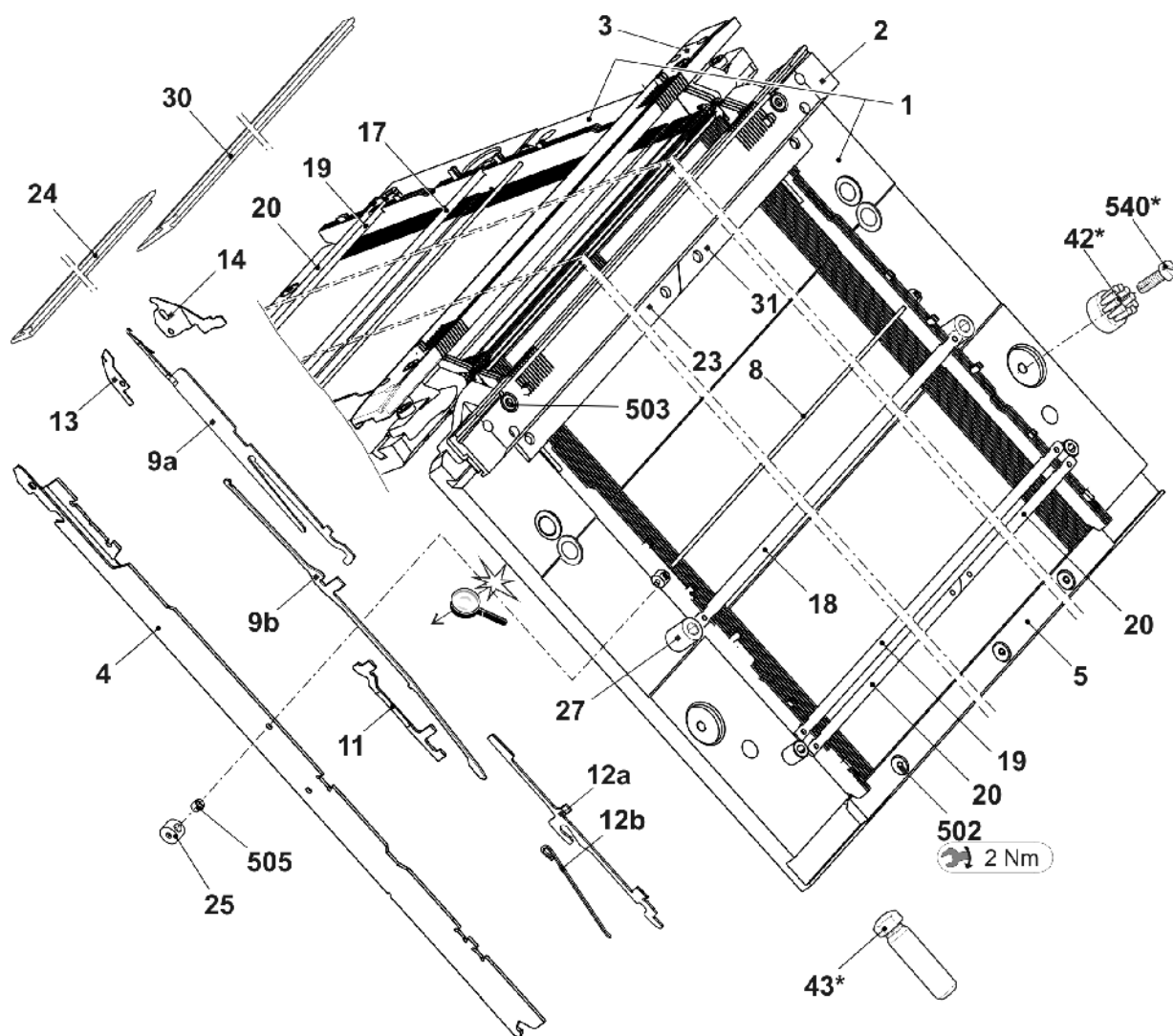
4.4.1 Continuation needle bed E18

Pos	Designation	Id. no.	Pos	Designation	Id. no.
Σ	Needle bed complete at the front and rear complete E18	258 478	505	Cap screw M5x8	023 154
2	Locating wire $\varnothing 3,4$	208 389	507	Cap screw M5x22	023 193
5	Spring steel wire $\varnothing 0,5$	250 690	508	Cap screw M5x12-8.8	022 943
6	Spring steel wire $\varnothing 2,0$	207 269	513	Springy thrust piece	023 177
15	Limiters on the left E16-20	220 821	517	Shim 0,05x18,5x34	023 196
16	Limiters on the right E16-20	220 822	518	Shim 0,1x18,5x34	023 197
26	Locating wire $\varnothing 2,8$	256 860	519	Shim 0,2x18,5x34	023 253



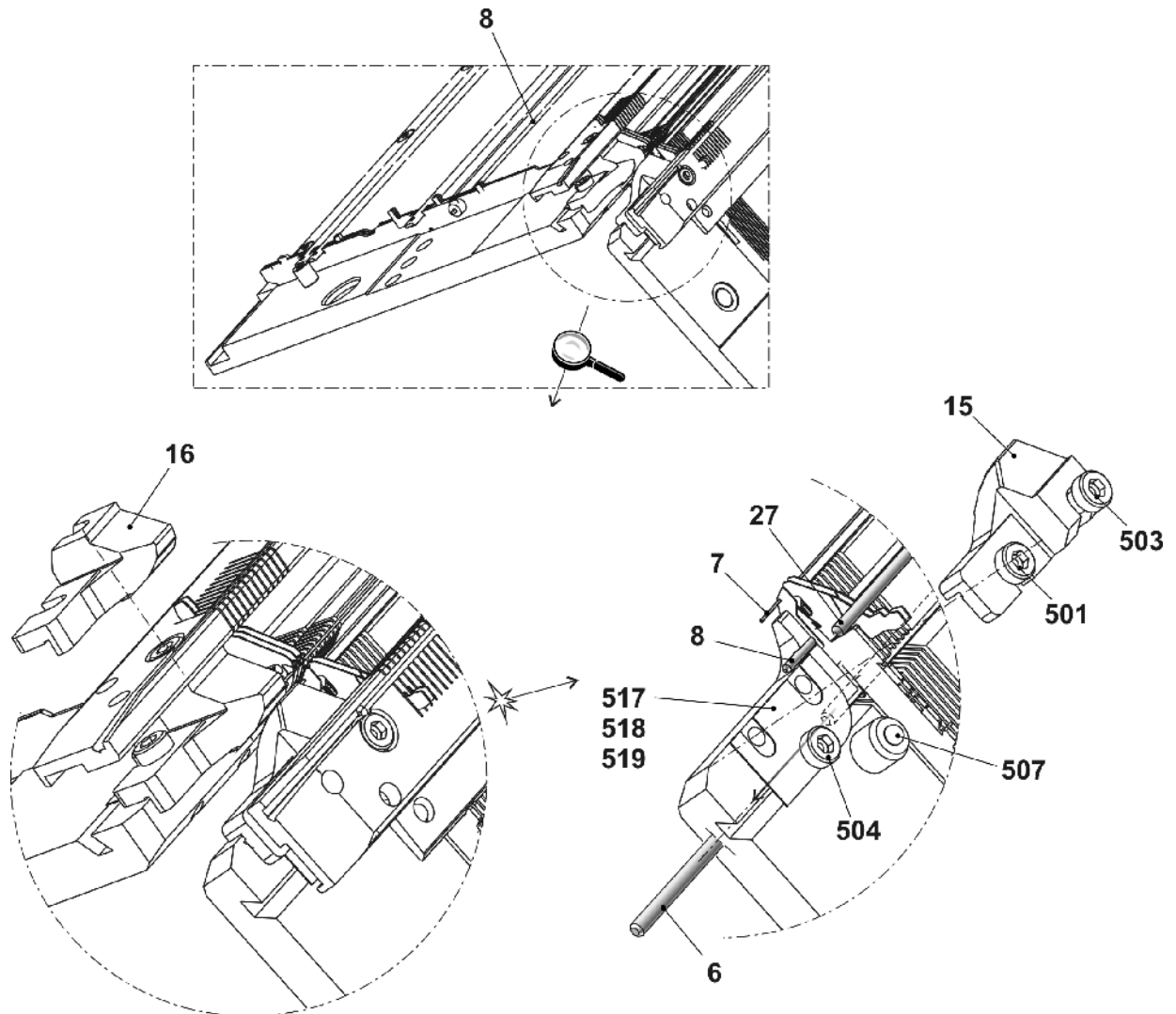
4.5 Needle bed E6.2

Pos	Designation	Id. no.	Pos	Designation	Id. no.
Σ	Needle bed complete at the front and rear E6.2	258 481	18	Cover rail at the front E12	250 593
1	Needle bed at the front + rear E12	258 455	19	Cover rail	250 575
2	Holding-down jack bed at the front E6.2	250 917	20	Cover rail	250 576
3	Holding-down jack bed at the rear E6.2	250 918	23	Needle bar on the left at the front	237 835
4	Main trick wall E12	260 343	24	Needle bar rear on the right	237 836
5	Pressure slide E12-14	252 040	25	Bush	206 090
8	Spring steel wire $\varnothing 2,0$	207 269	27	Stop screw	235 244
9a	Needle E6.2	207 349	30	Needle bar on the left at the rear	253 908
9b	Coupling part E10 - E12	253 382	31	Needle bar on the right at the rear	253 910
11	Intermediate slider with brake E10-12	255 535	502	Cap screw M5x8	023 379
12a	Selection jack E10-12	200 688	503	Cap screw M5x22	023 193
12b	Selector spring E10-12	200 691	505	Setscrew M3,5x3-1	020 512
13	Knock-over bit E12	259 212	42*	Disk brush	202 600
14	Holding-down jack trick wall E12	259 213	43*	Adjusting bolt	251 772
17	Cover rail at the rear	250 572	540*	Cap screw M5x12	020 032



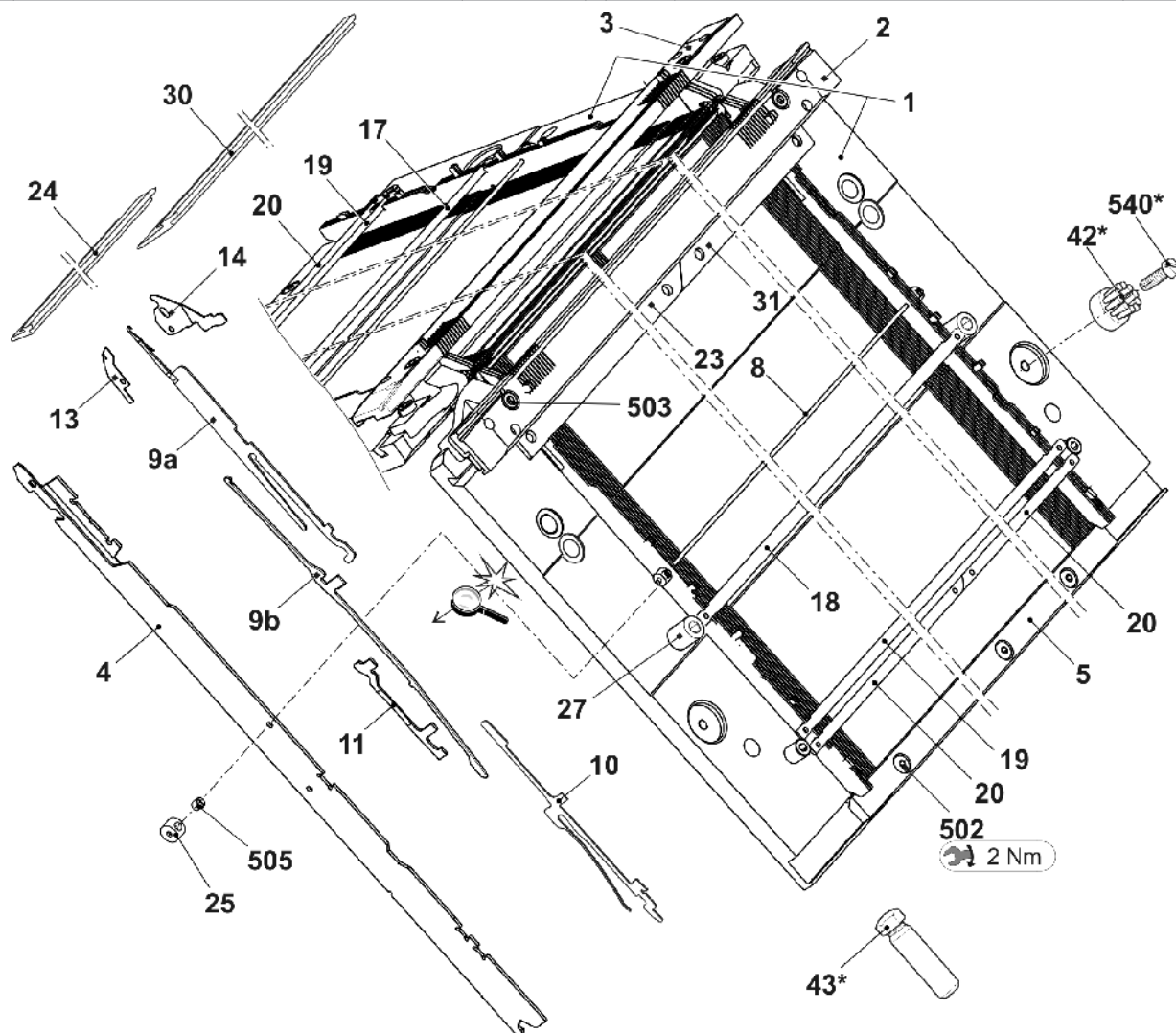
4.5.1 Continuation needle bed E6.2

Pos	Designation	Id. no.	Pos	Designation	Id. no.
Σ	Needle bed complete at the front and rearE6.2	258 481	501	Cap screw M5x8-8.8	023 154
6	Locating wire $\varnothing 3,4$	208 389	503	Cap screw M5x22	023 193
7	Spring steel wire $\varnothing 0,6$	208 388	504	Cap screw M5x12-8.8	022 943
8	Spring steel wire $\varnothing 2,0$	207 269	507	Springy thrust piece	023 177
15	Limiters on the left E10 - E14	205 764	510	Shim0,05x18,5x34	023 196
16	Limiters on the right E10 - E14	205 765	511	Shim0,1x18,5x34	023 197
27	Locating wire $\varnothing 2,8$	207 270	512	Shim0,2X18,5X34	023 253



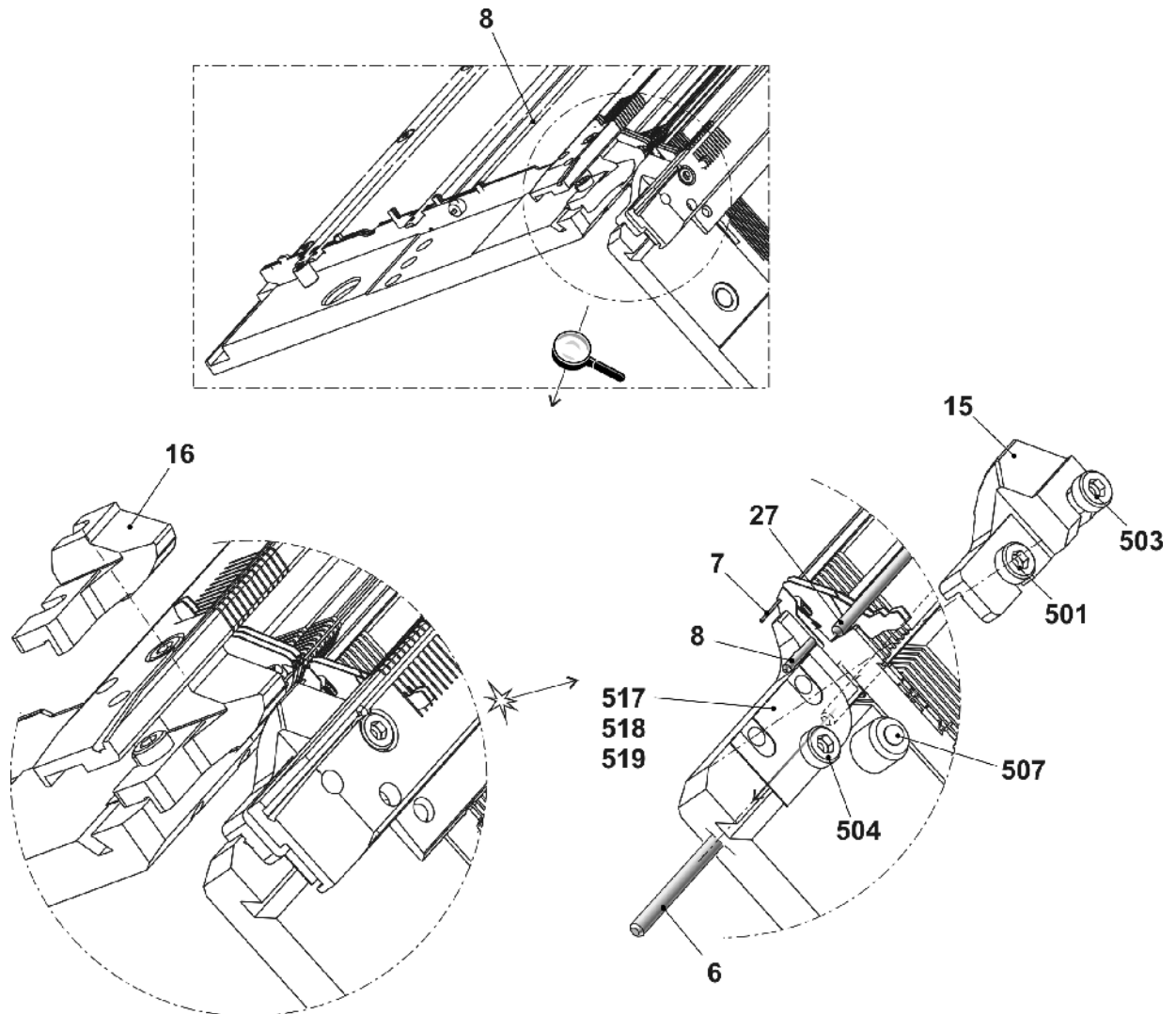
4.6 Needle bed E7.2

Pos	Designation	Id. no.	Pos	Designation	Id. no.
Σ	Needle bed complete at the front and rear E7.2	258 482			
1	Needle bed at the front + rear E14	258 456	19	Cover rail	250 575
2	Holding-down jack bed at the front E7.2	250 919	20	Cover rail	250 576
3	Holding-down jack bed at the rear E7.2	250 920	23	Needle bar on the left at the front	237 835
4	Main trick wall E14	260 344	24	Needle bar rear on the right	237 836
5	Pressure slide E12-14	252 040	25	Bush	206 090
8	Spring steel wire $\varnothing 2,0$	207 269	27	Stop screw	235 244
9a	Needle E7.2	225 230	30	Needle bar on the left at the rear	253 908
9b	Coupling part E14	253 383	31	Needle bar on the right at the rear	253 910
10	Selection jack with spring E14	224 725	502	Cap screw M5x8	023 379
11	Intermediate slider with brake E14	255 536	503	Cap screw M5x22	023 193
13	Knock-over bit	256 912	505	Setscrew M3,5x3-1	020 512
14	Holding-down jack trick wall E7.2	258 396	42*	Disk brush	202 600
17	Cover rail at the rear	250 572	43*	Adjusting bolt	251 772
18	Cover rail at the front E14	250 571	540*	Cap screw M5x12	020 032



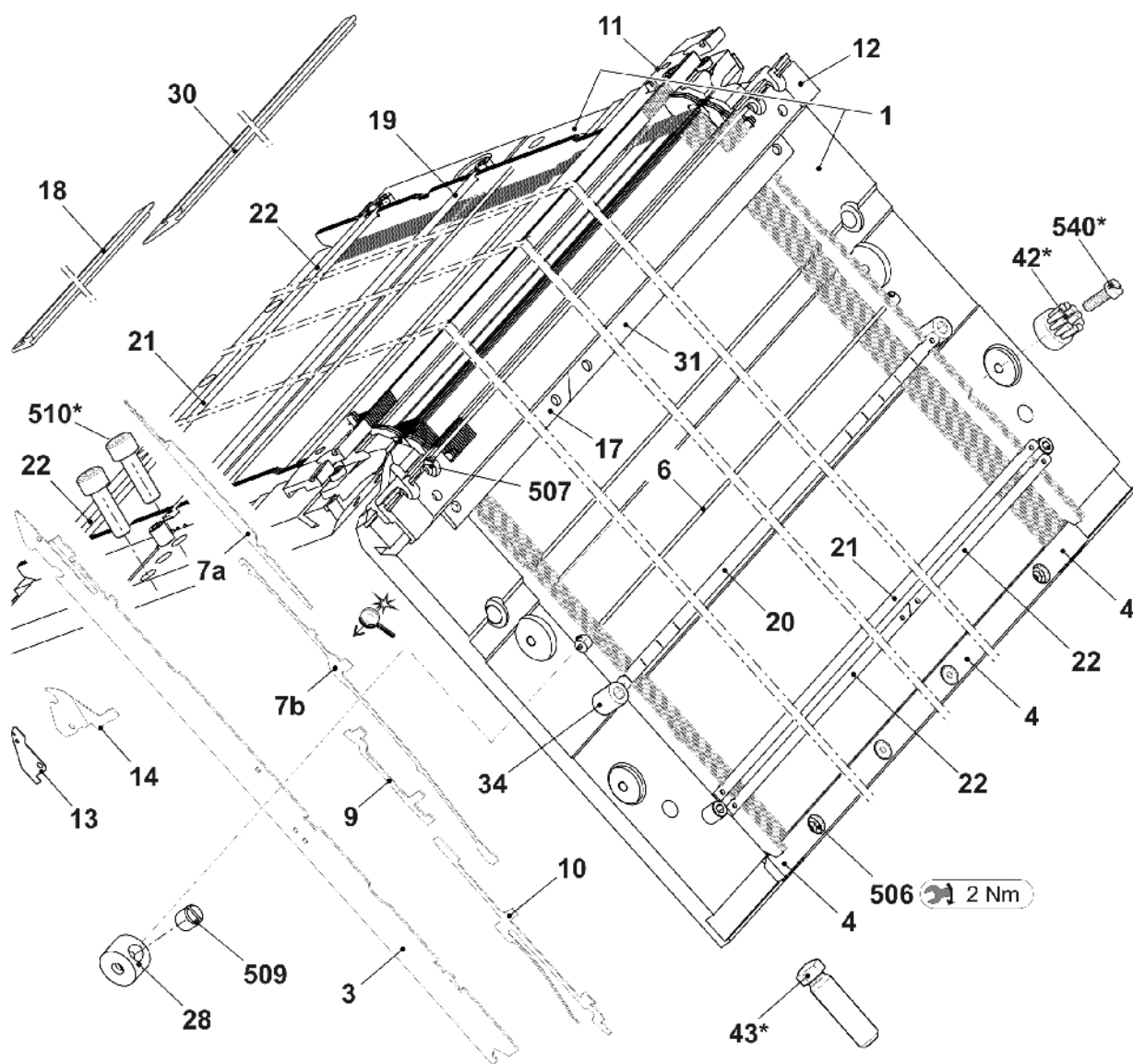
4.6.1 Continuation needle bed E7.2

Pos	Designation	Id. no.	Pos	Designation	Id. no.
Σ	Needle bed complete at the front and rearE7.2	258 482	501	Cap screw M5x8-8.8	023 154
6	Locating wire $\varnothing 3,4$	208 389	503	Cap screw M5x22	023 193
7	Spring steel wire $\varnothing 0,6$	208 388	504	Cap screw M5x12-8.8	022 943
8	Spring steel wire $\varnothing 2,0$	207 269	507	Springy thrust piece	023 177
15	Limiters on the left E10 - E14	205 764	510	Shim0,05x18,5x34	023 196
16	Limiters on the right E10 - E14	205 765	511	Shim0,1x18,5x34	023 197
27	Locating wire $\varnothing 2,8$	207 270	512	Shim0,2X18,5X34	023 253



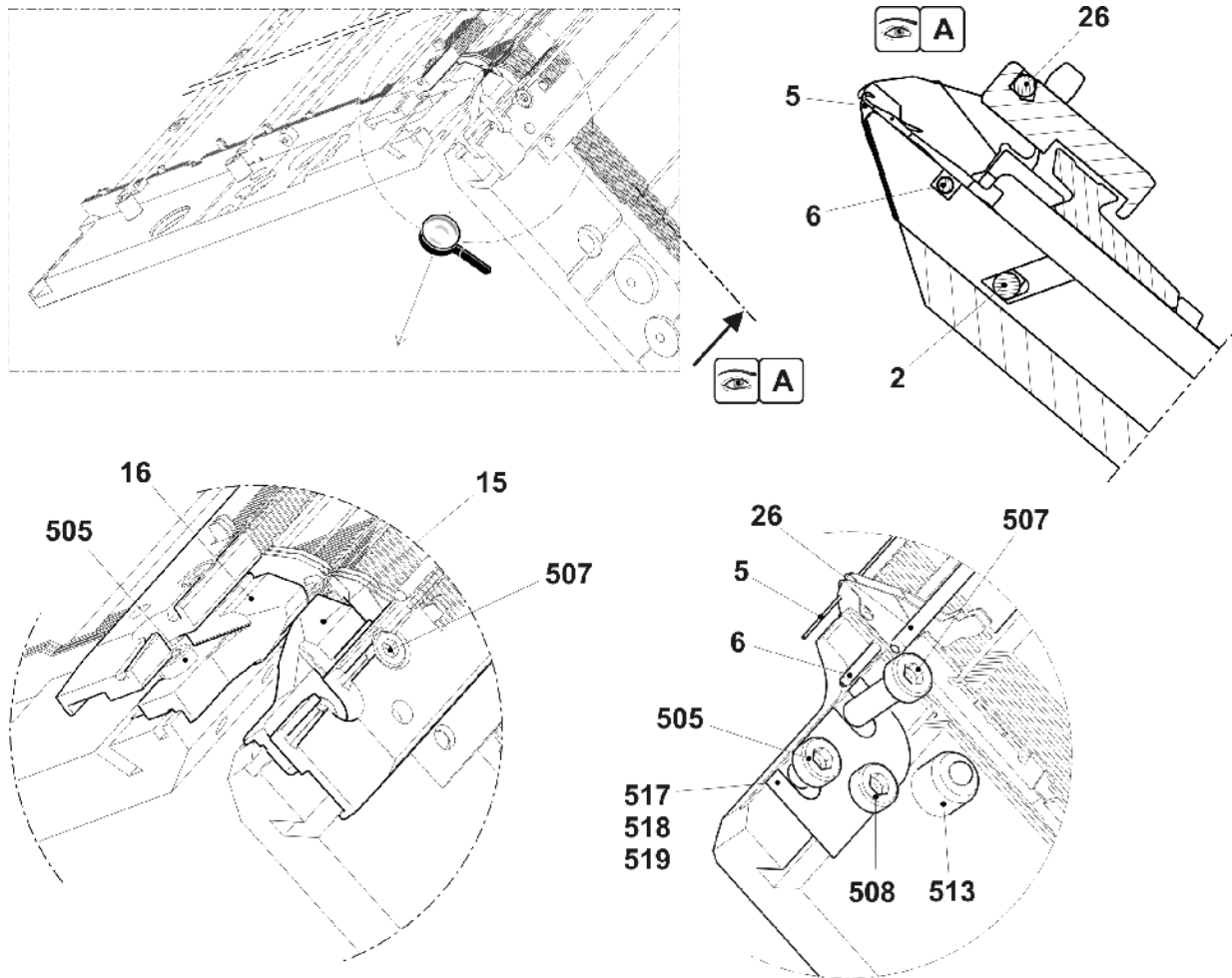
4.7 Needle bed E8.2

Pos	Designation	Id. no.	Pos	Designation	Id. no.
Σ	Needle bed complete at the front and rear complete E8.2	258 483	19	Cover rail at the rear	250 572
1	Needle bed at the front + rear E16	258 457	20	Cover rail at the front E16	250 587
3	Main trick wall E16	245 319	21	Cover rail	250 575
4	Pressure slide E12-14	252 040	22	Cover rail	250 576
6	Spring steel wire $\varnothing 2,0$	207 269	28	Bush	206 090
7a	Needle E8.2	261 263	30	Needle bar on the left at the rear	253 908
7b	Coupling part E16-18	253 384	31	Needle bar on the right at the rear	253 910
9	Intermediate slider with brake E16-18	255 537	34	Stop screw	235 244
10	Selection jack E16-20	222 265	506	Cap screw M5x8	023 379
11	Holding-down jack bed at the rear E16	250 549	507	Cap screw M5x22	023 193
12	Holding-down jack bed at the front E16	250 548	509	Setscrew M3,5x3-1	020 512
13	Knock-over bit wire position E8.2	261 865	42*	Disk brush $\varnothing 12$	202 600
14	Holding-down jack E16	264 106	43*	Adjusting bolt	251 772
17	Needle bar on the left at the front	237 835	510*	Cap screw M8x25	020 142
18	Needle bar rear on the right	237 836	540*	Cap screw M5x12	020 032



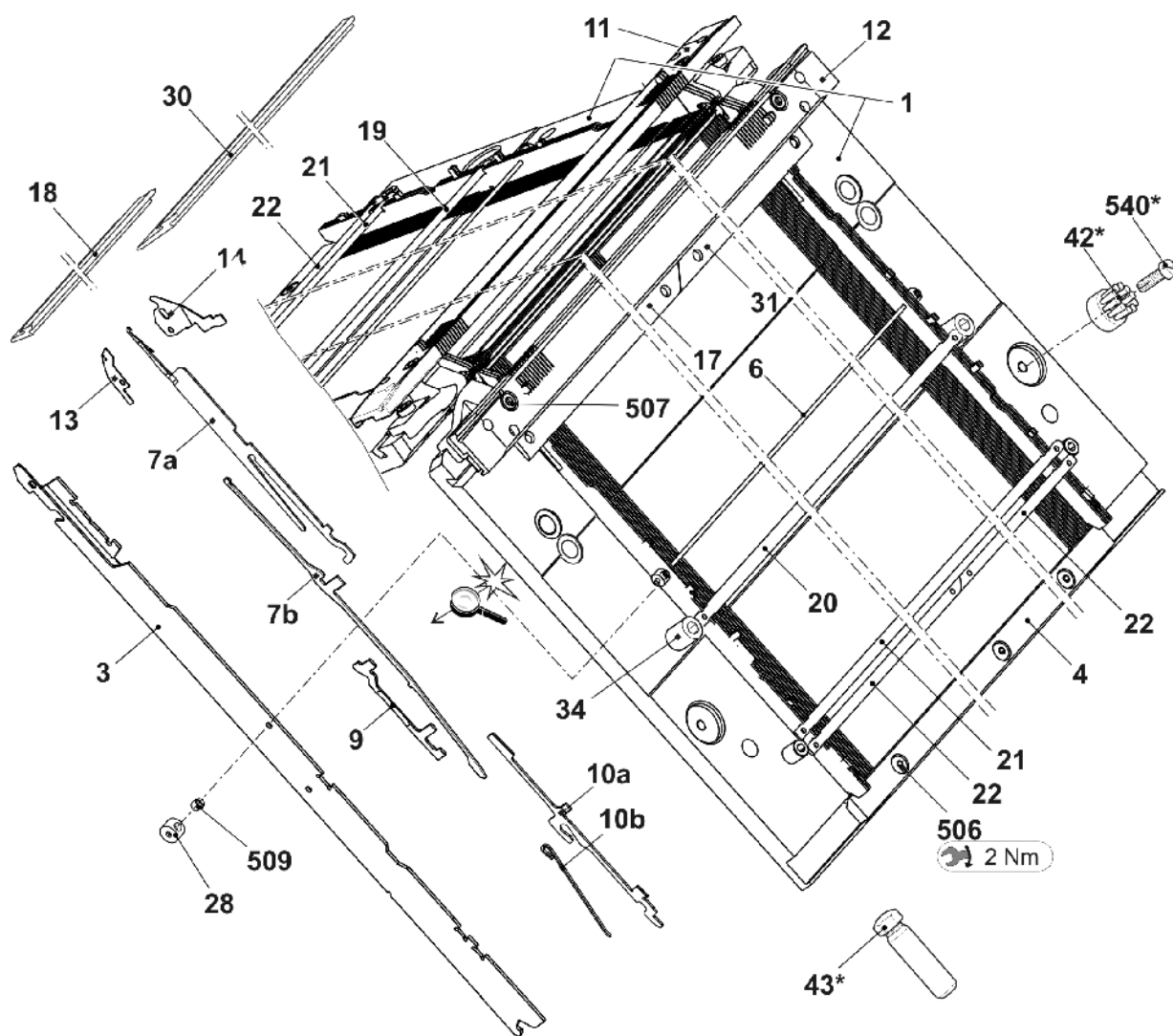
4.7.1 Continuation needle bed E8.2

Pos	Designation	Id. no.	Pos	Designation	Id. no.
Σ	Needle bed complete at the front and rear complete E8.2	258 483	505	Cap screw M5x8	023 154
2	Locating wire $\varnothing 3,4$	208 389	507	Cap screw M5x22	023 193
5	Spring steel wire $\varnothing 0,5$	250 690	508	Cap screw M5x12	022 943
6	Spring steel wire $\varnothing 2,0$	207 269	513	Springy thrust piece	023 177
15	Limiters on the left E16-20	220 821	517	Shim 0,05x18,5x34	023 196
16	Limiters on the right E16-20	220 822	518	Shim 0,1x18,5x34	023 197
26	Locating wire $\varnothing 2,8$	256 860	519	Shim 0,2X18,5X34	023 253



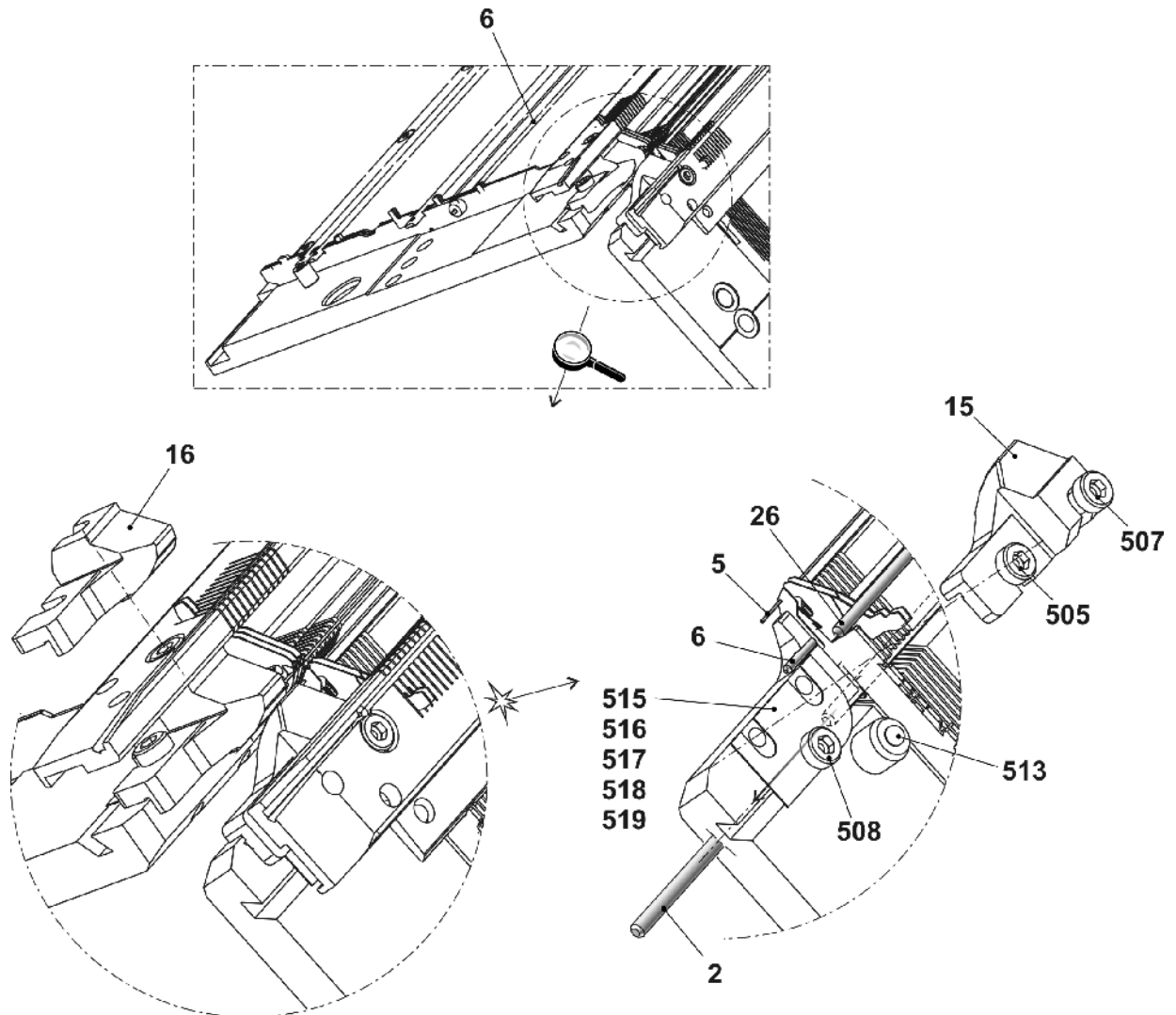
4.8 Needle bed E6.2 (12m.10)

Pos	Designation	Id. no.	Pos	Designation	Id. no.
Σ	Needle bed complete at the front and rear E12m.10	258 479	18	Needle bar rear on the right	237 836
1	Needle bed at the front + rear E12	258 455	19	Cover rail at the rear	250 572
3	Main trick wall E12	260 343	20	Cover rail at the front E12	250 593
4	Pressure slide E12-14	252 040	21	Cover rail	250 575
6	Spring steel wire ø2,0	207 269	22	Cover rail	250 576
7a	Needle E10 with round hook	205 398	28	Bush	206 090
7b	Coupling part E10 - E12	253 382	30	Needle bar on the left at the rear	253 908
9	Intermediate slider with brake E10-12	255 608	31	Needle bar on the right at the rear	253 910
10a	Selection jack E10-12	200 688	34	Stop screw	235 244
10b	Selector spring E10-12	200 691	506	Cap screw M5x8	023 379
11	Holding-down jack bed at the rear E12	250 545	507	Cap screw M5x22	023 193
12	Holding-down jack bed at the front E12	250 544	509	Setscrew M3,5x3-1	020 512
13	Knock-over bit E12	259 212	42*	Disk brush	202 600
14	Holding-down jack trick wall E12	259 213	43*	Adjusting bolt	251 772
17	Needle bar on the left at the front	237 835	540*	Cap screw M5x12	020 032



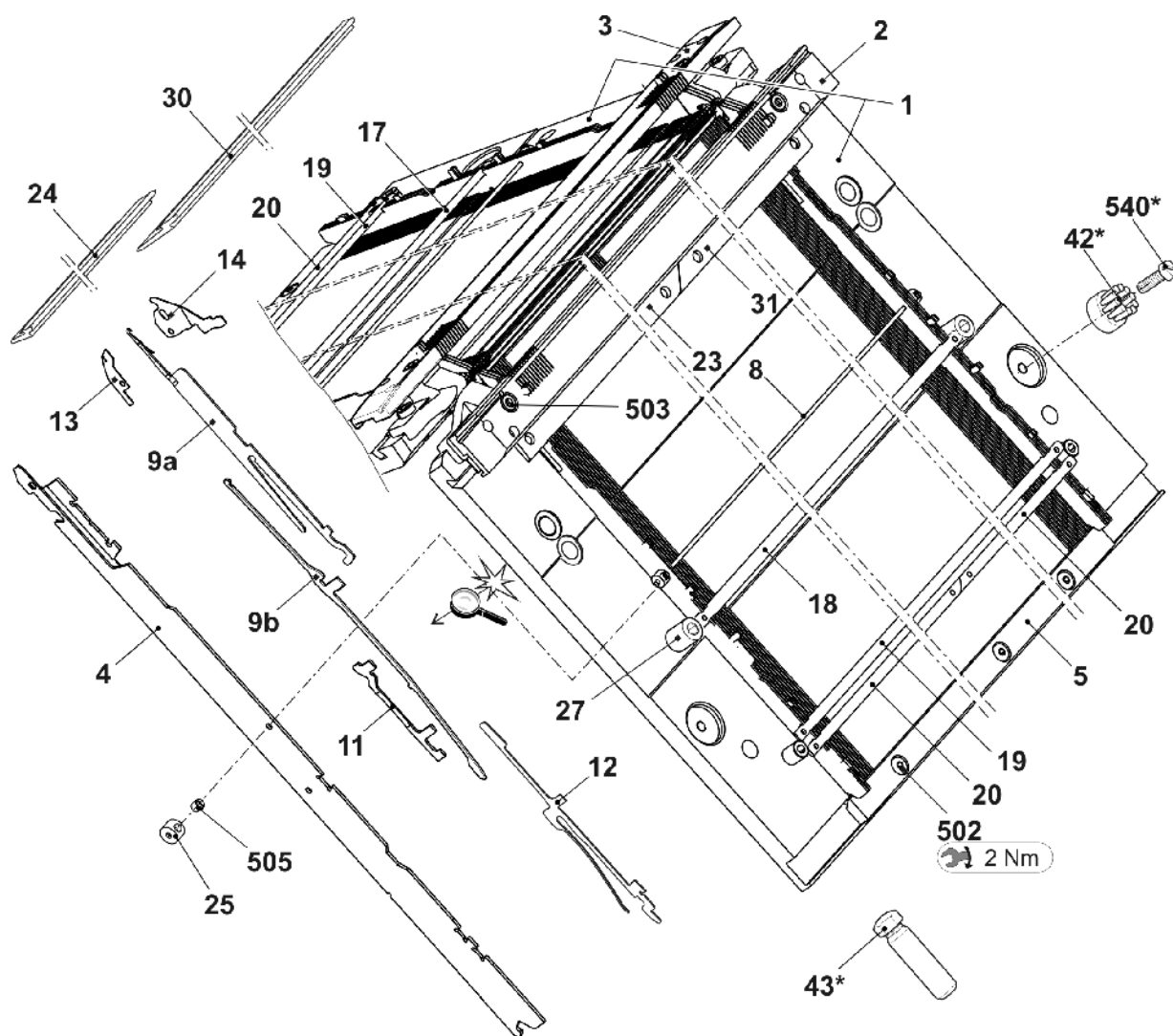
4.8.1 Continuation needle bed E6.2(12m.10)

Pos	Designation	Id. no.	Pos	Designation	Id. no.
Σ	Needle bed complete at the front and rear E12m.10	258 479	505	Cap screw M5x8-8.8	023 154
2	Locating wire $\varnothing 3,4$	208 389	507	Cap screw M5x22	023 193
5	Spring steel wire $\varnothing 0,6$	208 388	508	Cap screw M5x12-8.8	022 943
6	Spring steel wire $\varnothing 2,0$	207 269	513	Springy thrust piece	023 177
15	Limiters on the left E10 - E14	205 764	517	Shim0,05x18,5x34	023 196
16	Limiters on the right E10 - E14	205 765	518	Shim0,1x18,5x34	023 197
26	Locating wire $\varnothing 2,8$	207 270	519	Shim0,2X18,5X34	023 253



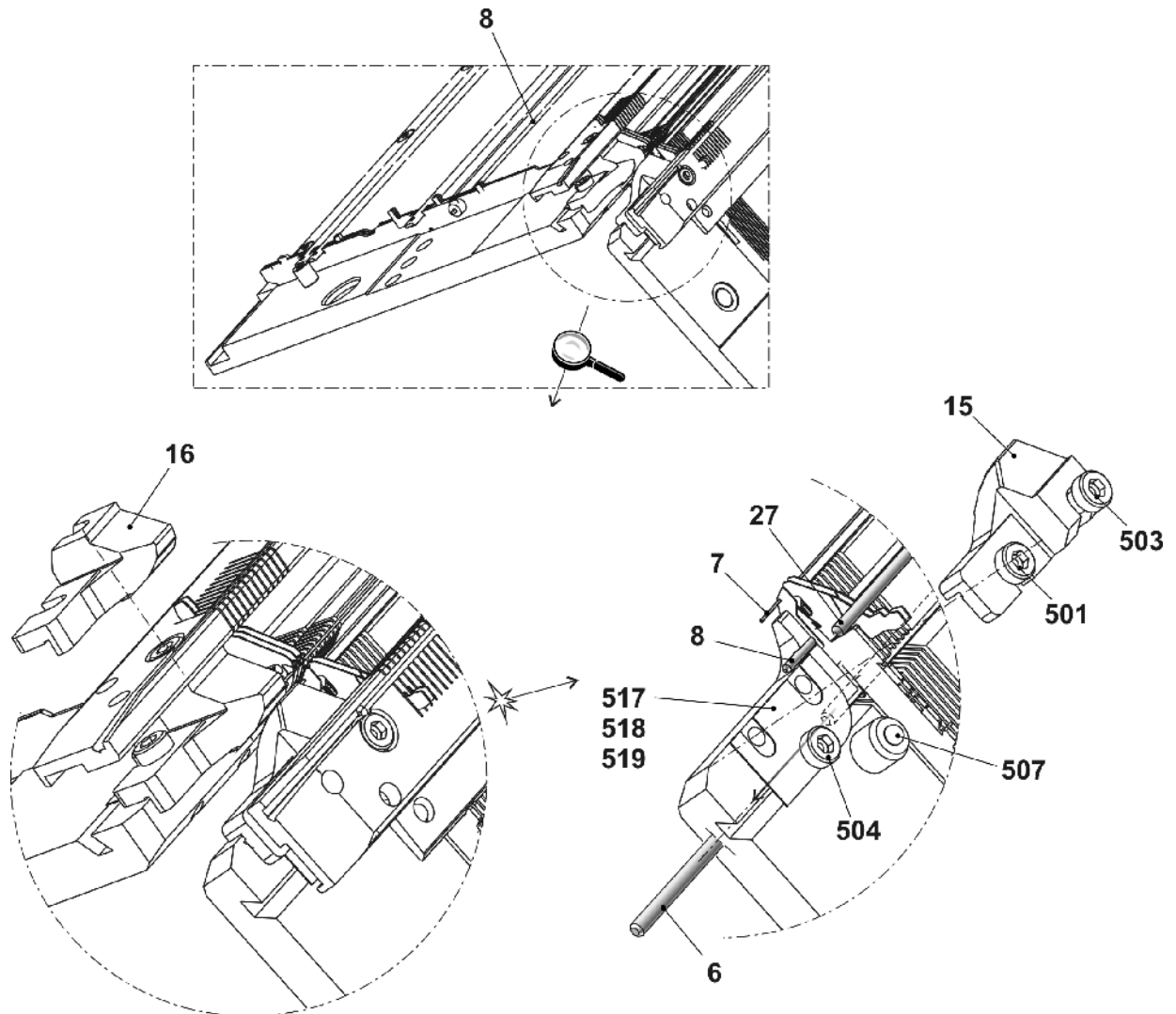
4.9 Needle bed E7.2(14/12)

Pos	Designation	Id. no.	Pos	Designation	Id. no.
Σ	Needle bed complete at the front and rear E14/12	258 480			
1	Needle bed at the front + rear E14	258 456	19	Cover rail	250 575
2	Holding-down jack bed at the front E14	250 546	20	Cover rail	250 576
3	Holding-down jack bed at the rear E14	250 547	23	Needle bar on the left at the front	237 835
4	Main trick wall E14	260 344	24	Needle bar rear on the right	237 836
5	Pressure slide E12-14	252 040	25	Bush	206 090
8	Spring steel wire $\varnothing 2,0$	207 269	27	Stop screw	235 244
9a	Needle E14/12	227 756	30	Needle bar on the left at the rear	253 908
9b	Coupling part E14	253 383	31	Needle bar on the right at the rear	253 910
11	Intermediate slider with brake E14	255 536	502	Cap screw M5x8	023 379
12	Selection jack with spring E14	224 725	503	Cap screw M5x22	023 193
13	Knock-over bit E14	209 649	505	Setscrew M3,5x3-1	020 512
14	Holding-down jack trick wall E14	235 262	42*	Disk brush	202 600
17	Cover rail at the rear	250 572	43*	Adjusting bolt	251 772
18	Cover rail at the front E14	250 571	540*	Cap screw M5x12	020 032



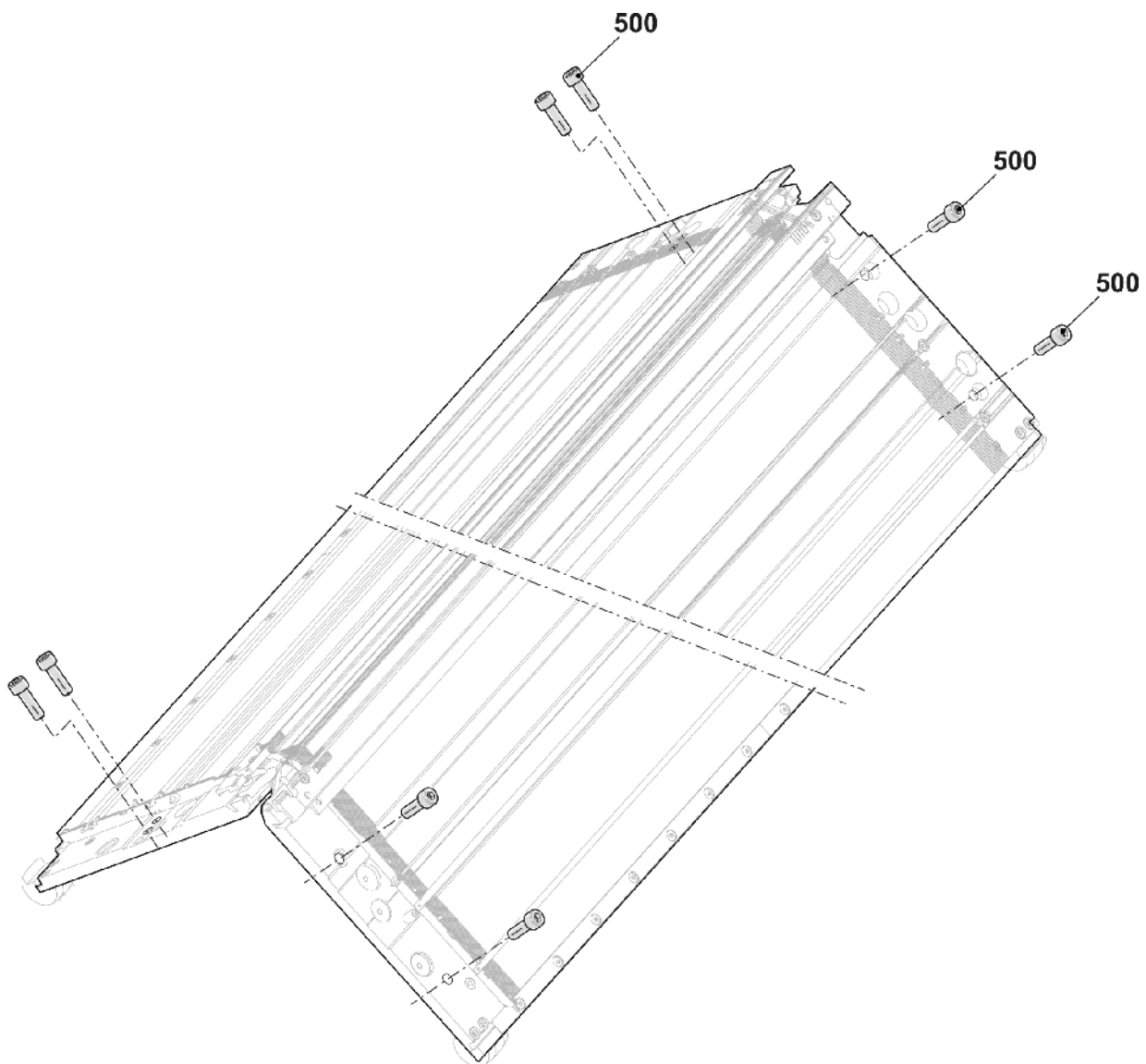
4.9.1 Continuation needle bed E7.2(14/12)

Pos	Designation	Id. no.	Pos	Designation	Id. no.
Σ	Needle bed complete at the front and rear E14/12	258 480	501	Cap screw M5x8-8.8	023 154
6	Locating wire $\varnothing 3,4$	208 389	503	Cap screw M5x22	023 193
7	Spring steel wire $\varnothing 0,6$	208 388	504	Cap screw M5x12-8.8	022 943
8	Spring steel wire $\varnothing 2,0$	207 269	507	Springy thrust piece	023 177
15	Limiters on the left E10 - E14	205 764	510	Shim 0,05x18,5x34	023 196
16	Limiters on the right E10 - E14	205 765	511	Shim 0,1x18,5x34	023 197
27	Locating wire $\varnothing 2,8$	207 270	512	Shim 0,2x18,5x34	023 253



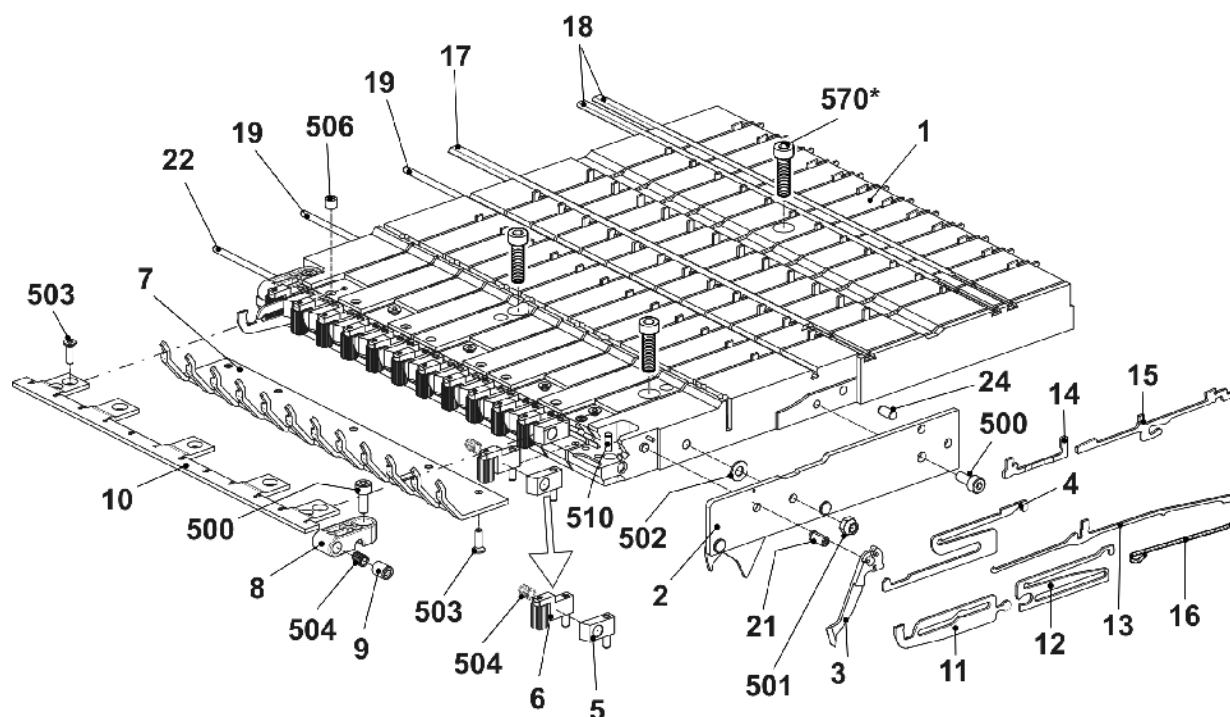
4.10 Needle beds, connection screws

Pos	Designation	Id. no.	Pos	Designation	Id. no.
Σ	Connection screws		500	Cap screw M8x25	020 142



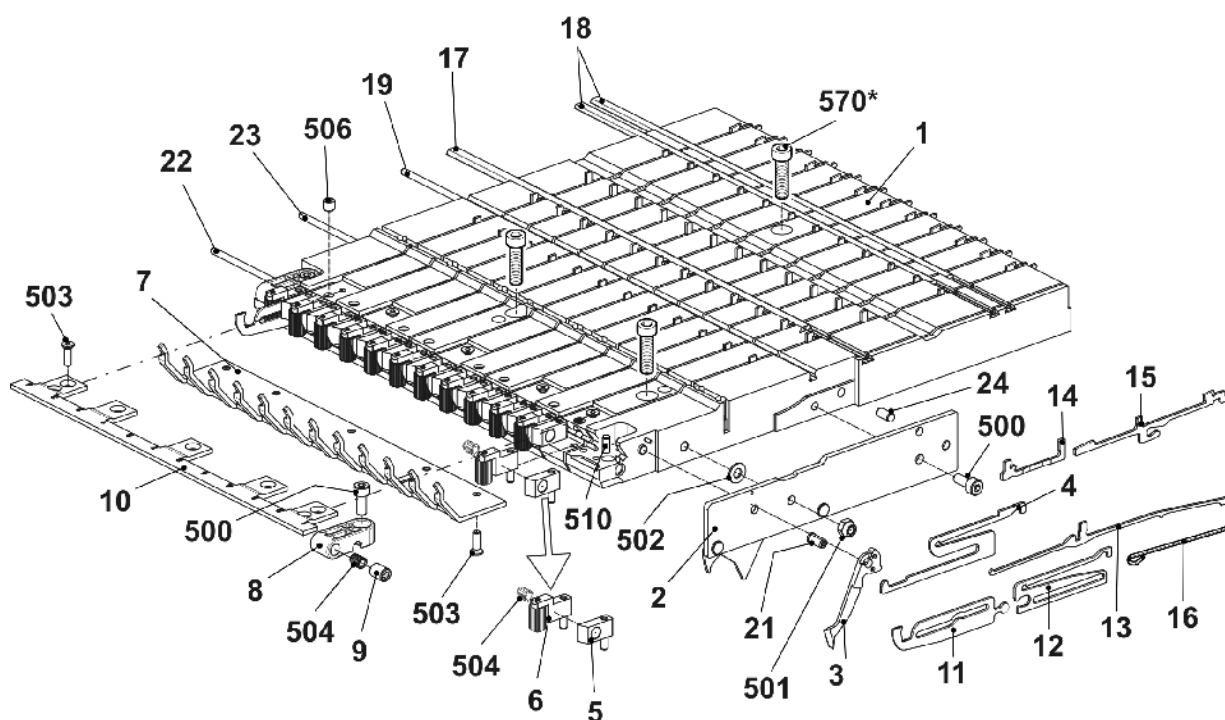
4.11 Right clamping and cutting bed E10 | E12 | E14 | E6.2 | E7.2 | E6.2(E12m.10) | E14/12

Pos	Designation	ID	Pos	Designation	ID
Σ	Clamping and cutting bed on the right E10-14	269 339			
1	Guide plate on the right E5-14	269 341	16	Selector spring E4-8	200 690
2	Cover on the right complete E5-14	260 966	17	Cover rail	269 346
2a	Springy thrust piece N4	260 235	18	Cover rail	243 924
3	Catch hook on the right complete E5-18	260 968	19	Locating wire	244 589
4	Slider E5-14	258 050	21	Guide pin	211 351
5	Blade	243 948	22	Locating wire	215 927
6	Clamp on the right complete	244 602	24	Dowel pin 4x8	020 656
7	Deflector plate on the right	269 343	500	Cap screw M4x10	023 136
8	Spring holder	255 724	501	Hexagon nut M4	023 046
9	Threaded bolt	255 723	502	Washer 4	020 870
10	Holding strip	269 345	503	Pan-head screw M3x10	242 029
11	Catch needle on the right E5-14	244 592	504	Compression spring 07x4,3x12,1	023 521
12	Intermediate part E10-14	244 591	506	Setscrew M5x5	236 061
13	Coupling part E5-8	253 381	509	Compression spring 07x4,3x19	022 897
14	Intermediate slider with brake E5-8	255 534	570*	Cap screw M6x20	244 824
15	Selection jack E4-8	200 687			



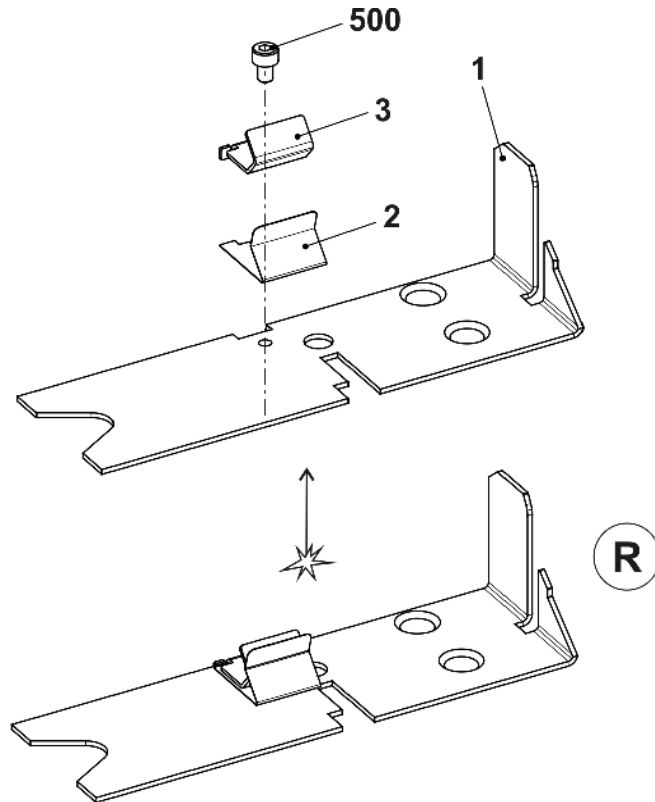
4.12 Right clamping and cutting bed E16 | E18 | E8.2

Pos	Designation	ID	Pos	Designation	ID
Σ	Clamping and cutting bed on the right E16-18	269 675			
1	Guide plate on the right E16-18	269 676	16	Selector spring E10-12	200 691
2	Cover on the right complete E16-18	259 406	17	Cover rail	243 923
2a	Springy thrust piece N4	260 235	18	Cover rail	243 924
3	Catch hook on the right complete E10-18	259 310	19	Locating wire	243 925
4	Slider E16-18	259 309	21	Guide pin	211 351
5	Blade	243 948	22	Locating wire	215 927
6	Clamp on the right complete	244 602	23	Locating wire	244 589
7	Deflector plate on the right	269 343	24	Dowel pin 4x8	020 656
8	Spring holder	255 724	500	Cap screw M4x10	023 136
9	Threaded bolt	255 723	501	Hexagon nut M4	023 046
10	Holding strip	269 345	502	Washer 4	020 870
11	Catch needle on the right E16-18	244 739	503	Pan-head screw M3x10	242 029
12	Intermediate part	244 741	504	Compression spring 07x4,3x12,1	023 521
13	Coupling part E10-12	253 382	506	Setscrew M5x5	236 061
14	Intermediate slider with brake E10-12	255 535	509	Compression spring 07x4,3x19	022 897
15	Selection jack E10-12	200 688	570*	Cap screw M6x20	244 824

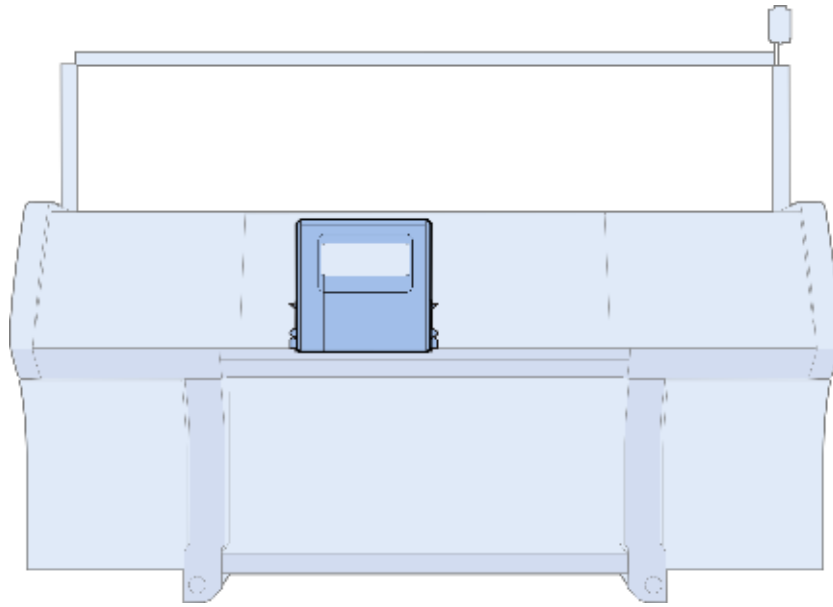


4.13 Yarn brake at clamping and cutting bed

Pos	Designation	Id	Pos	Designation	Id
Σ R	Yarn brake on the right	256 715			
3	Cover on the right	256 714	2	Test clamping plate	256 713
1	Leaf spring	256 712	500	Cap screw M4x6	023 067

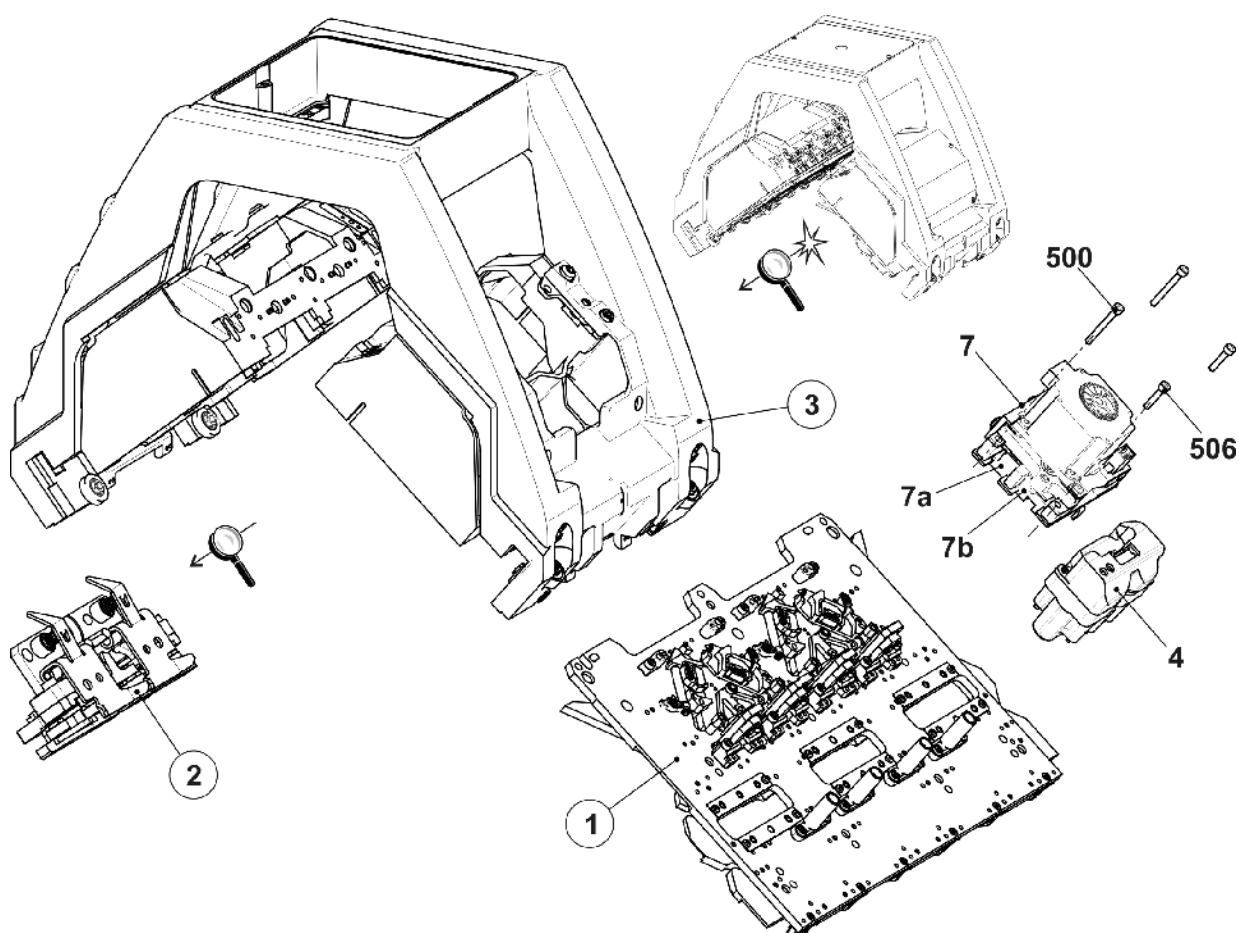


5 Carriage



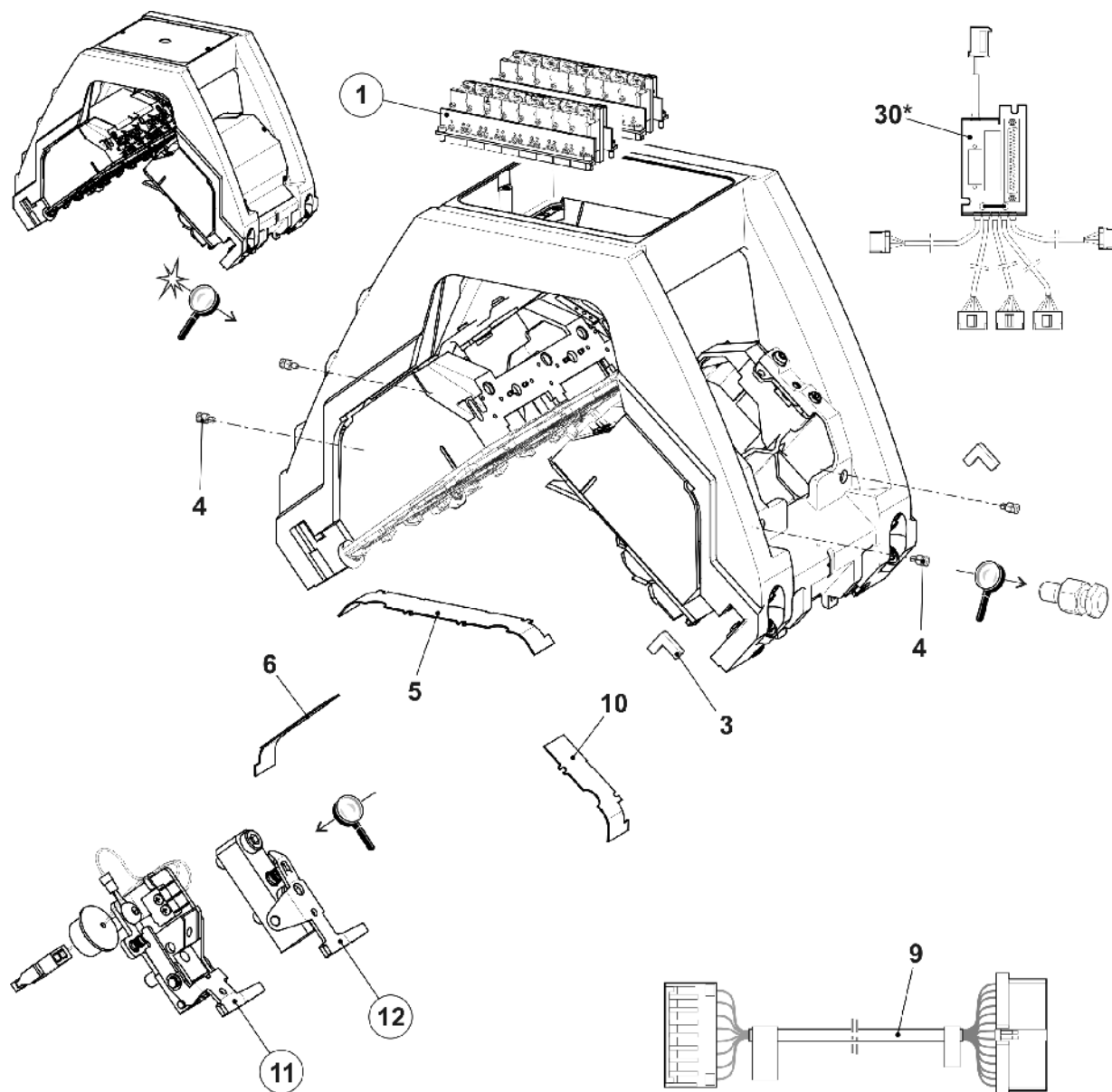
5.1 Overview of carriage

Pos	Designation	Id. no.	Pos	Designation	Id. no.
Σ	Carriage complete		1	Cam box complete	
	E12	269 856		E12	269 847
	E14 E14/12	269 857		E14 E14/12	269 848
	E16 E18	269 858		E16 E18	269 849
	E12m.10	269 859		E12m.10	269 850
	E6.2	269 860		E6.2	269 851
	E7.2	269 861		E7.2	269 852
	E8.2	269 862		E8.2	269 853
2	Holding-down jack control complete E12-14, 6.2	256 307	4	Selection system complete E14 (E7.2)	229 300
	Holding-down jack control complete E16-18	256 308		Selection system complete E16-18 (E8.2)	220 114
	Holding-down jack control complete E7.2	256 309	7	Motor unit ATM complete	251 827
	Holding-down jack control complete E8.2	256 310	7a	Gear rack at the top complete	251 817
3	Carriage assembly 2 cam boxes complete 5 inches 502	258 453	7b	Gear rack at the bottom complete	251 818
4	Selection system complete E10-12 (E6.2)	216 219	500	Cap screw M4x35	023 550
			506	Cap screw M4x20	023 290



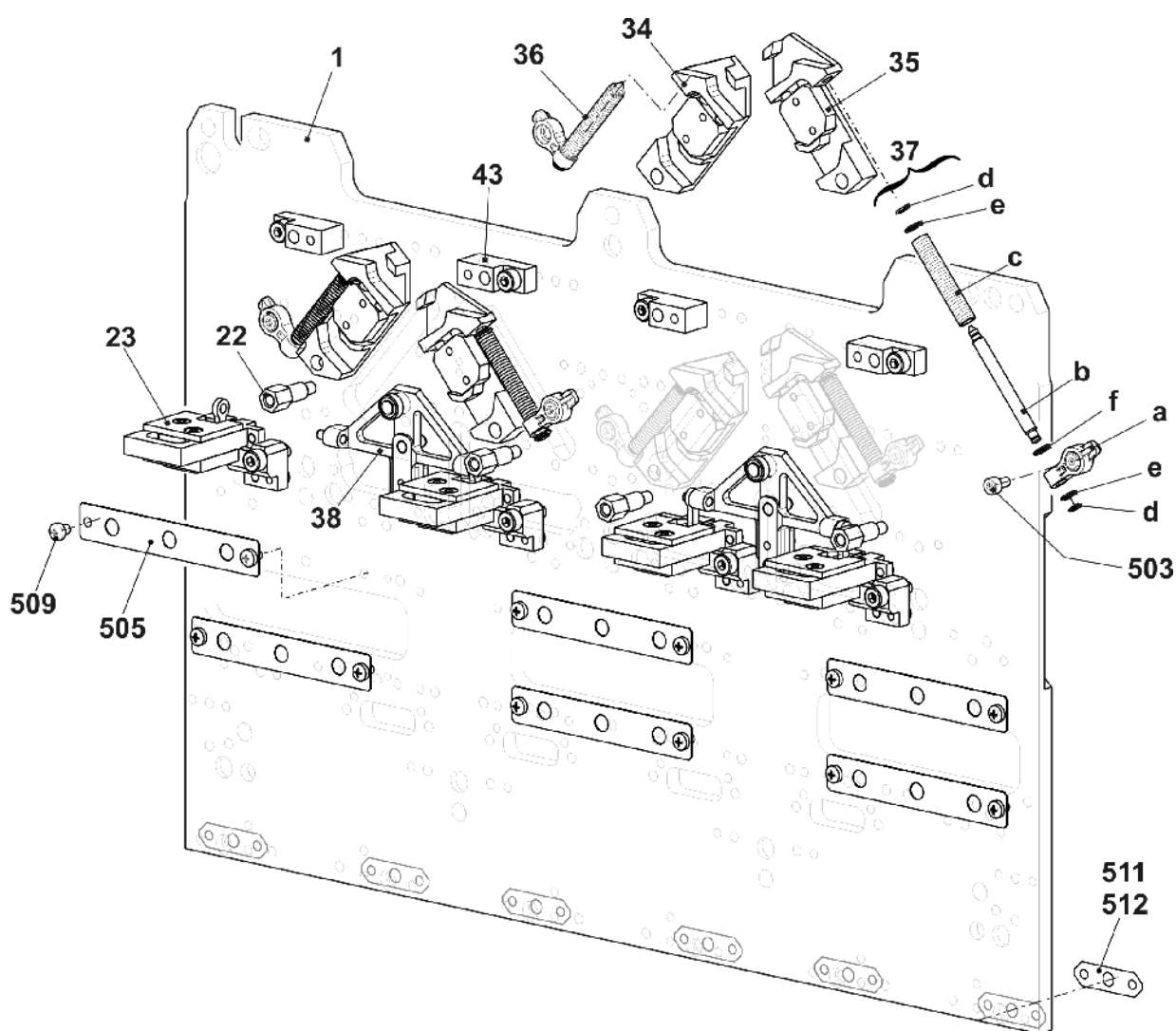
5.2 Overview of carriage, continuation

Pos	Designation	Id. no.	Pos	Designation	Id. no.
Σ	Carriage complete				
1	FF driving outside complete	268 845	9	Cable connection YC output stage OKC	240 651
3	Wiper felt	241 411	10	Cover plate at the bottom	251 127
4	Bolts	212 392	11	Needle detector pre-assembled E10-18	256 475
5	Cover plate at the top	250 594	12	Sinker opener complete	256 623
6	Cover plate at the bottom	250 595	30*	Distributor 2S-5Z OKC3	255 695



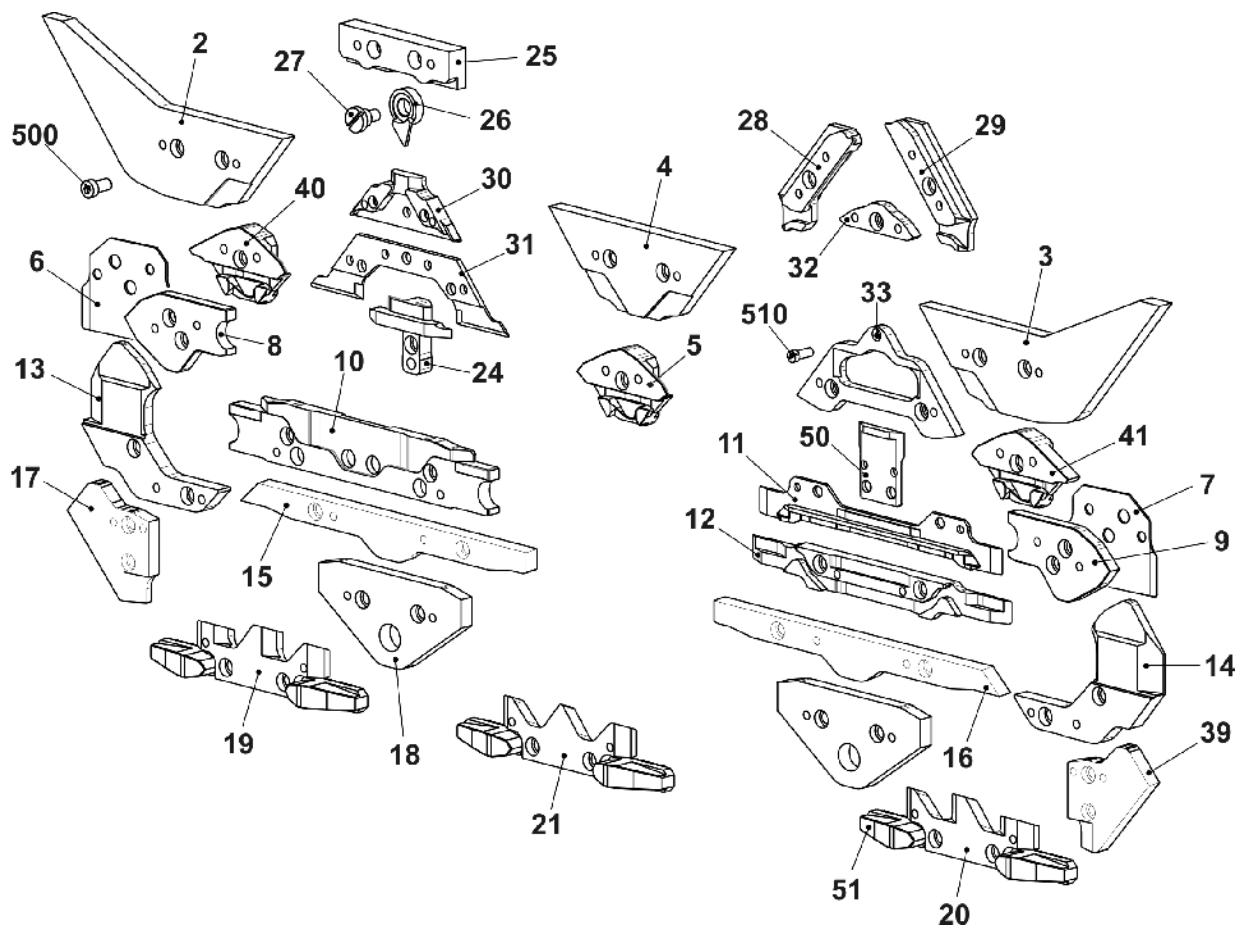
5.3 Cam box E12

Pos	Designation	Id. no.	Pos	Designation	Id. no.
Σ	Cam box set complete E12	269 847			
1	Cam plate E10-18	269 843	37	d Circlip	023 565
22	Stay bolt	254 839		e Disk	259 647
23	Guide of pressure cam complete	253 480		f Washer	022 893
34	Loop sinking cam on the left complete E12-14	254 248	38	Slider pressure cam complete	251 834
35	Loop sinking cam on the right complete E12-14	254 249	43	Holding piece	251 828
36	Rod guide on the left complete	252 662	503	Cap screw M3x6	022 589
37	Rod guide on the right complete	252 663	505	Shim 0,5x12x75	236 654
a	Rod guide part	258 148	509	Pan head screw M3x4	023 142
b	Spring rod	252 661	511	Shim 0,03x8x28	023 452
c	Compression spring	257 082	512	Shim 0,05x8x28	023 020



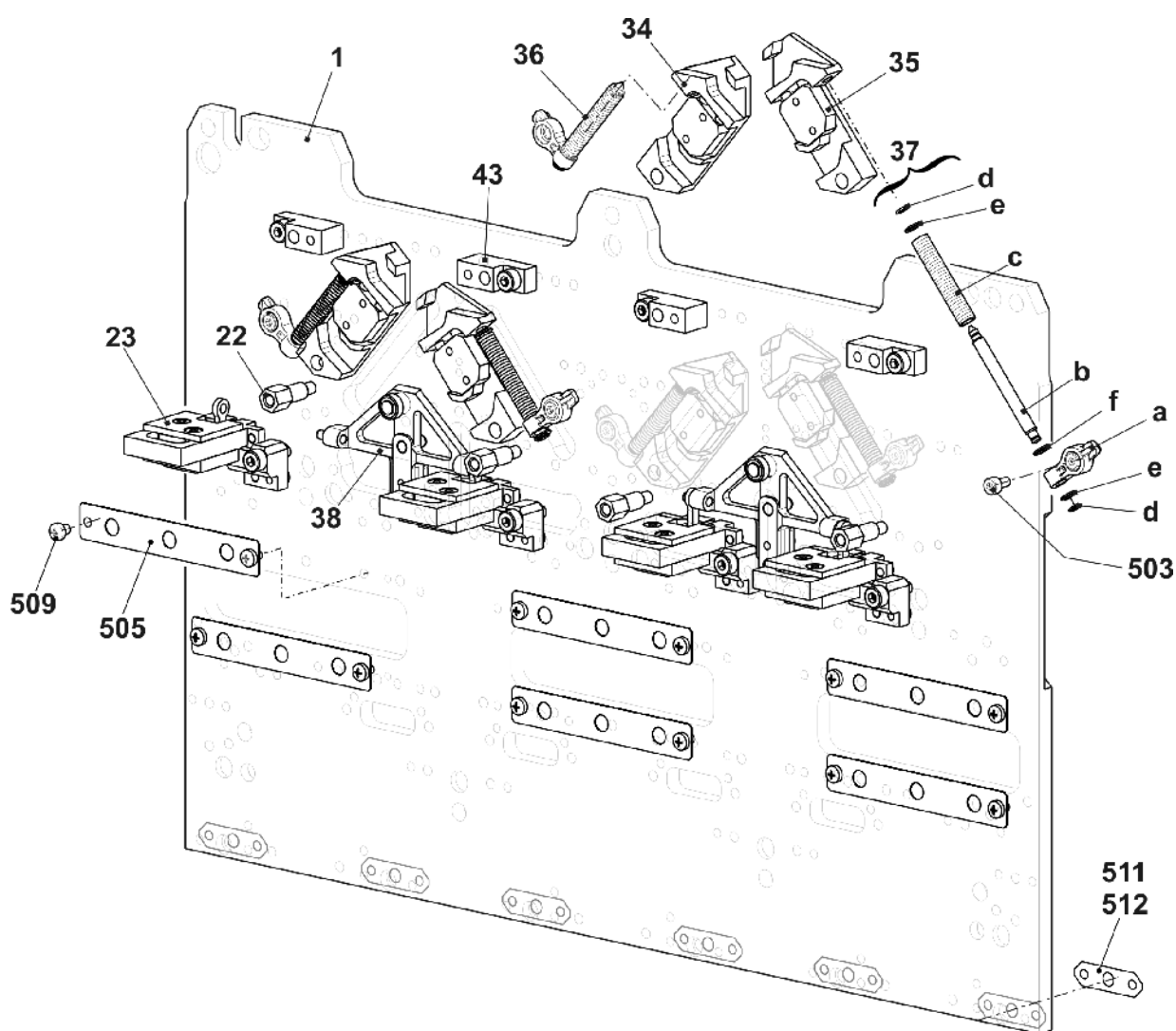
5.3.1 Cams E12

Pos	Designation	Id	Pos	Designation	Id
2	Entry cam on the left at the top E10-18	266 707	21	Selection cam E10-18	251 875
3	Entry cam on the right at the top E10-18	266 708	24	Tuck pressure cam	253 828
4	Entry cam at the top E10-18	256 689	25	Limiting cam E12-14	252 522
5	Knitting position cam E10-14 E6.2 E7.2	255 021	26	Pointer E10	251 994
6	Plate on the left E10-18	255 389	27	Screw	210 335
7	Plate on the right E10-18	255 390	28	Stitch cam on the left E10-14 E7.2	254 331
8	Entry cam on the left E10-18	255 391	29	Stitch cam on the right E10-14 E7.2	254 332
9	Entry cam on the right E10-18	255 392	30	Tuck limiting cam E12-14	254 298
10	Pressure strip E10-14	255 540	31	Raising cam plate E10-18	251 992
11	Cam guide at the top E10-18	258 161	32	Receiving cam E10 E12	251 997
12	Cam guide E10-18	255 541	33	Raising cam without split-stitch E10 E12	254 334
13	Cam on the left E10-18	255 613		Raising cam with split-stitch E10 E12	254 335
14	Cam at the right E10-18	255 614	39	Cam at the right E10-18	259 769
15	Limiting cam on the left	264 051	40	Knitting position cam on the left E10-14 E6.2 E7.2	255 022
16	Limiting cam on the right	264 052	41	Knitting position cam on the right E10-14 E6.2 E7.2	255 023
17	Cam on the left E10-18	259 768	50	Delivery pressure cam	253 838
18	Cam E10-18	269 831	51	Offering cam	210 185
19	Selection cam on the left E10-18	251 876	500	Cap screw M4x8	020 091
20	Selection cam on the right E10-18	251 877	510	Cap screw M3x8	020 081



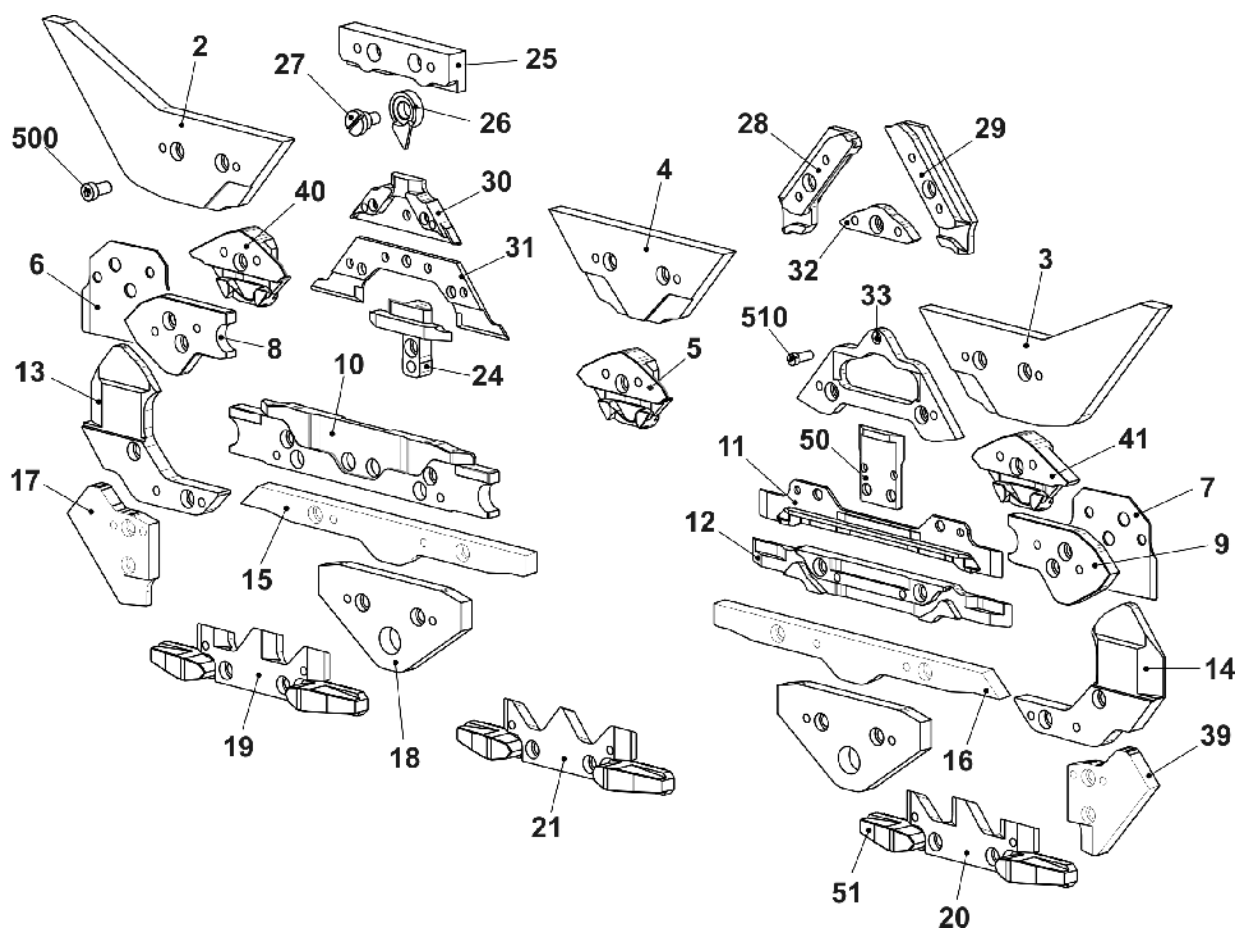
5.4 Cam box E14 | E14/12

Pos	Designation	Id. no.	Pos	Designation	Id. no.
Σ	Cam box complete E14	269 848			
1	Cam plate E10-18	269 843	37	d Circlip	023 565
22	Stay bolt	254 839		e Disk	259 647
23	Guide of pressure cam complete	253 480		f Washer	022 893
34	Loop sinking cam on the left complete E12-14	254 248	38	Slider pressure cam complete	251 834
35	Loop sinking cam on the right complete E12-14	254 249	43	Holding piece	251 828
36	Rod guide on the left complete	252 662	503	Cap screw M3x6	022 589
37	Rod guide on the right complete	252 663	505	Shim 0,5x12x75	236 654
a	Rod guide part	258 148	509	Pan head screw M3x4	023 142
b	Spring rod	252 661	511	Shim 0,03x8x28	023 452
c	Compression spring	257 082	512	Shim 0,05x8x28	023 020



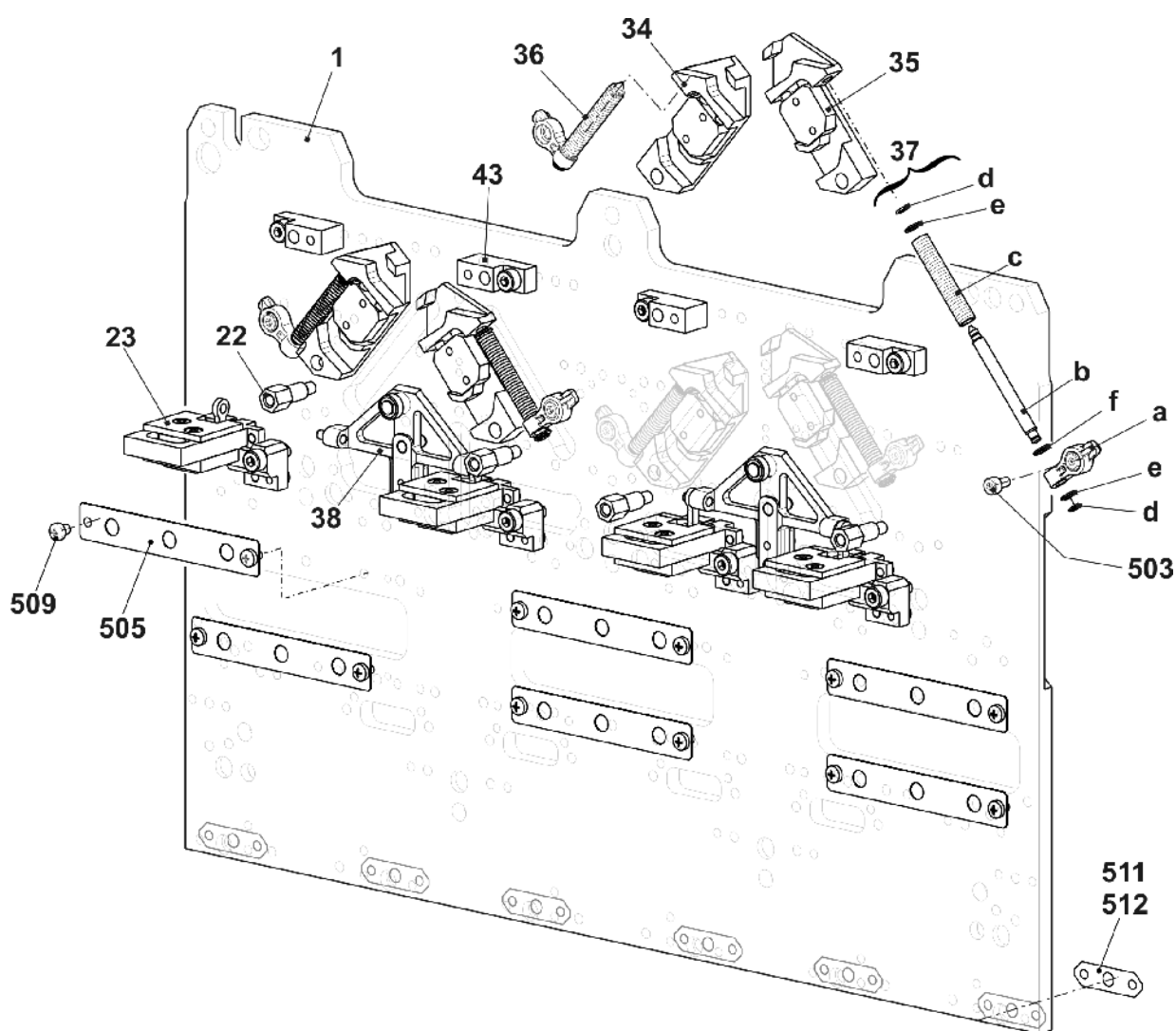
5.4.1 Cams E14 | E14/12

Pos	Designation	Id	Pos	Designation	Id
2	Entry cam on the left at the top E10-18	266 707	21	Selection cam E10-18	251 875
3	Entry cam on the right at the top E10-18	266 708	24	Tuck pressure cam	253 828
4	Entry cam at the top E10-18	256 689	25	Limiting cam E12-14	252 522
5	Knitting position cam E10-14 E6.2 E7.2	255 021	26	Pointer E10	251 994
6	Plate on the left E10-18	255 389	27	Screw	210 335
7	Plate on the right E10-18	255 390	28	Stitch cam on the left E10-14 E7.2	254 331
8	Entry cam on the left E10-18	255 391	29	Stitch cam on the right E10-14 E7.2	254 332
9	Entry cam on the right E10-18	255 392	30	Tuck limiting cam E12 E14	254 298
10	Pressure strip E10-14	255 540	31	Raising cam plate E10-18	251 992
11	Cam guide at the top E10-18	258 161	32	Receiving cam E14	252 607
12	Cam guide E10-18	255 541	33	Raising cam without split-stitch E14	254 336
13	Cam on the left E10-18	255 613		Raising cam with split-stitch E14	254 337
14	Cam at the right E10-18	255 614	39	Cam at the right E10-18	259 769
15	Limiting cam on the left	264 051	40	Knitting position cam on the left E10-14 E6.2 E7.2	255 022
16	Limiting cam on the right	264 052	41	Knitting position cam on the right E10-14 E6.2 E7.2	255 023
17	Cam on the left E10-18	259 768	50	Delivery pressure cam	253 838
18	Cam E10-18	269 831	51	Offering cam	210 185
19	Selection cam on the left E10-18	251 876	500	Cap screw M4x8	020 091
20	Selection cam on the right E10-18	251 877	510	Cap screw M3x8	020 081



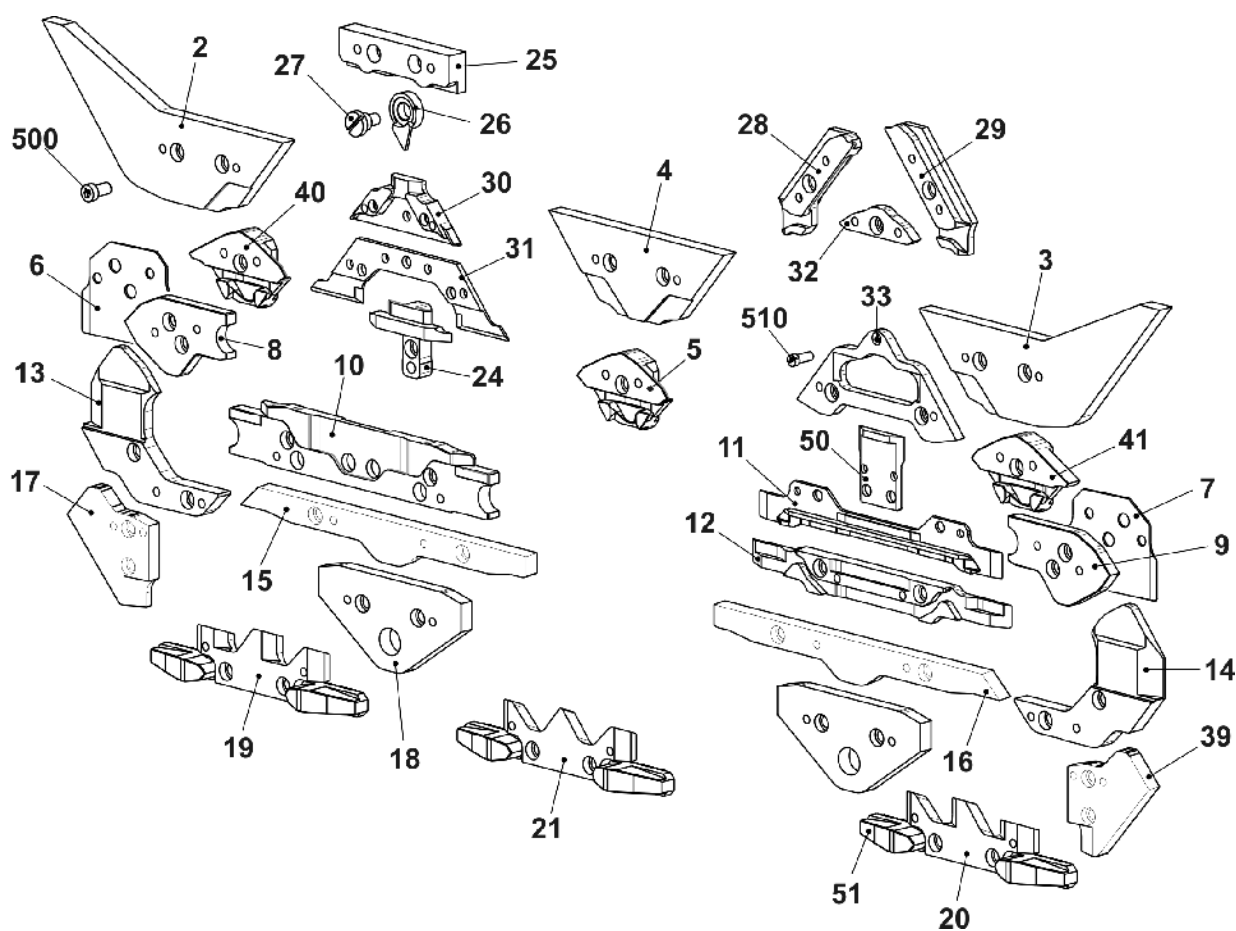
5.5 Cam box E16|E18

Pos	Designation	Id. no.	Pos	Designation	Id. no.
Σ	Cam box complete E16-E18	269 849			
1	Cam plate E10-18	269 843	37	d Circlip	023 565
22	Stay bolt	254 839		e Disk	259 647
23	Guide of pressure cam complete	253 480		f Washer	022 893
34	Loop sinking cam on the left complete E16-18	251 965	38	Slider pressure cam complete	251 834
35	Loop sinking cam on the right complete E16-18	251 966	43	Holding piece	251 828
36	Rod guide on the left complete	252 662	503	Cap screw M3x6	022 589
37	Rod guide on the right complete	252 663	505	Shim 0,5x12x75	236 654
a	Rod guide part	258 148	509	Pan head screw M3x4	023 142
b	Spring rod	252 661	511	Shim 0,03x8x28	023 452
c	Compression spring	257 082	512	Shim 0,05x8x28	023 020



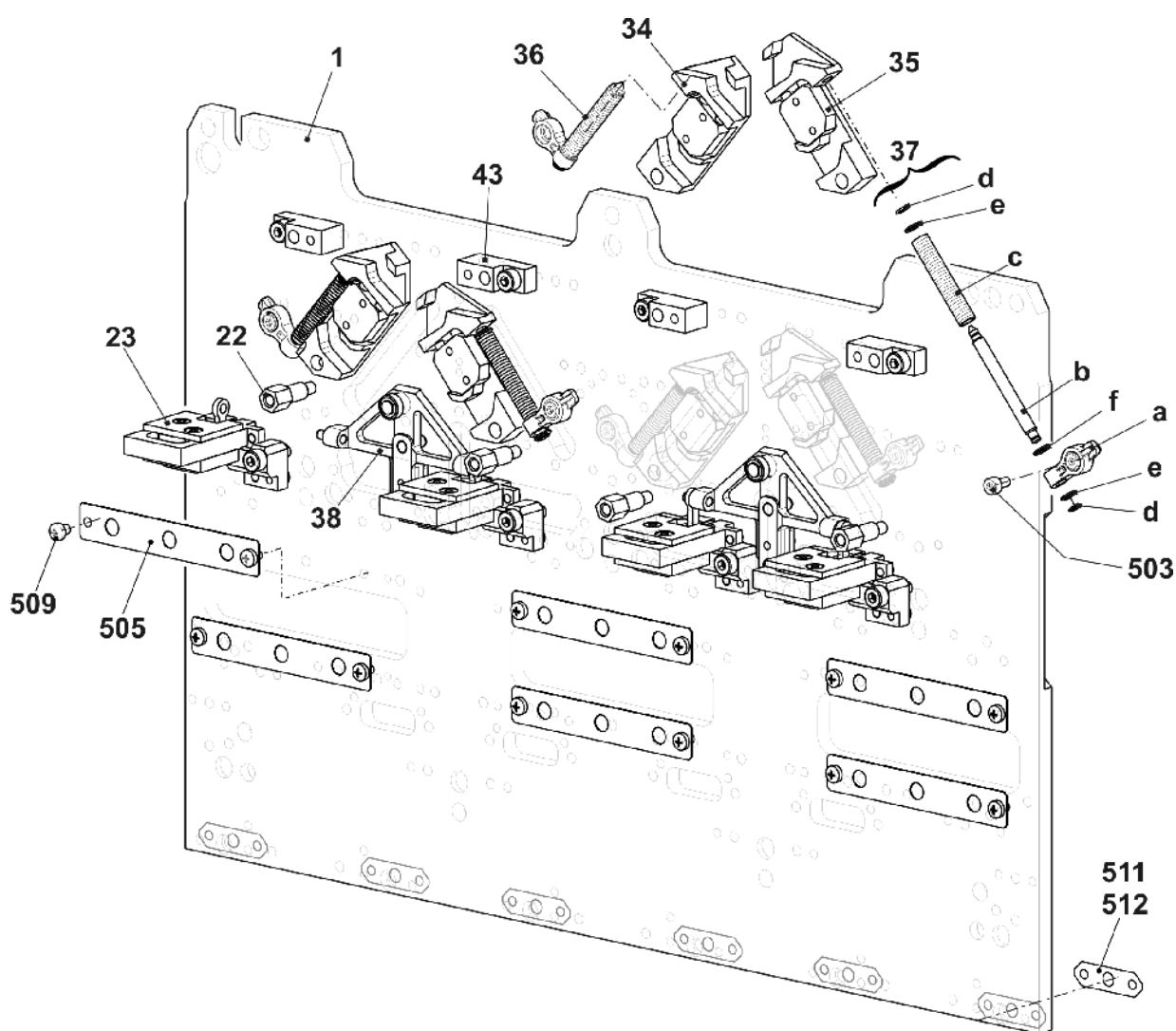
5.5.1 Cams E16 | E18

Pos	Designation	Id	Pos	Designation	Id
2	Entry cam on the left at the top E10-18	266 707	21	Selection cam E10-18	251 875
3	Entry cam on the right at the top E10-18	266 708	24	Tuck pressure cam	253 828
4	Entry cam at the top E10-18	256 689	25	Limiting cam E16-18	252 646
5	Knitting position cam E16-18 E8.2	255 027	26	Pointer E16-18	252 656
6	Plate on the left E10-18	255 389	27	Screw	210 335
7	Plate on the right E10-18	255 390	28	Stitch cam on the left E16-18 E8.2	254 338
8	Entry cam on the left E10-18	255 391	29	Stitch cam on the right E16-18 E8.2	254 339
9	Entry cam on the right E10-18	255 392	30	Tuck limiting cam E16-18	254 299
10	Pressure strip E16-18	256 681	31	Raising cam plate E10-18	251 992
11	Cam guide at the top E10-18	258 161	32	Receiving cam E16-18	252 654
12	Cam guide E10-18	255 541	33	Raising cam without split-stitch E16-18	254 340
13	Cam on the left E10-18	255 613		Raising cam with split-stitch E16-18	254 341
14	Cam at the right E10-18	255 614	39	Cam at the right E10-18	259 769
15	Limiting cam on the left	264 051	40	Knitting position cam on the left E16-18 E8.2	255 028
16	Limiting cam on the right	264 052	41	Knitting position cam on the right E16-18 E8.2	255 029
17	Cam on the left E10-18	259 768	50	Delivery pressure cam	253 838
18	Cam E10-18	269 831	51	Offering cam	210 185
19	Selection cam on the left E10-18	251 876	500	Cap screw M4x8	020 091
20	Selection cam on the right E10-18	251 877	510	Cap screw M3x8	020 081



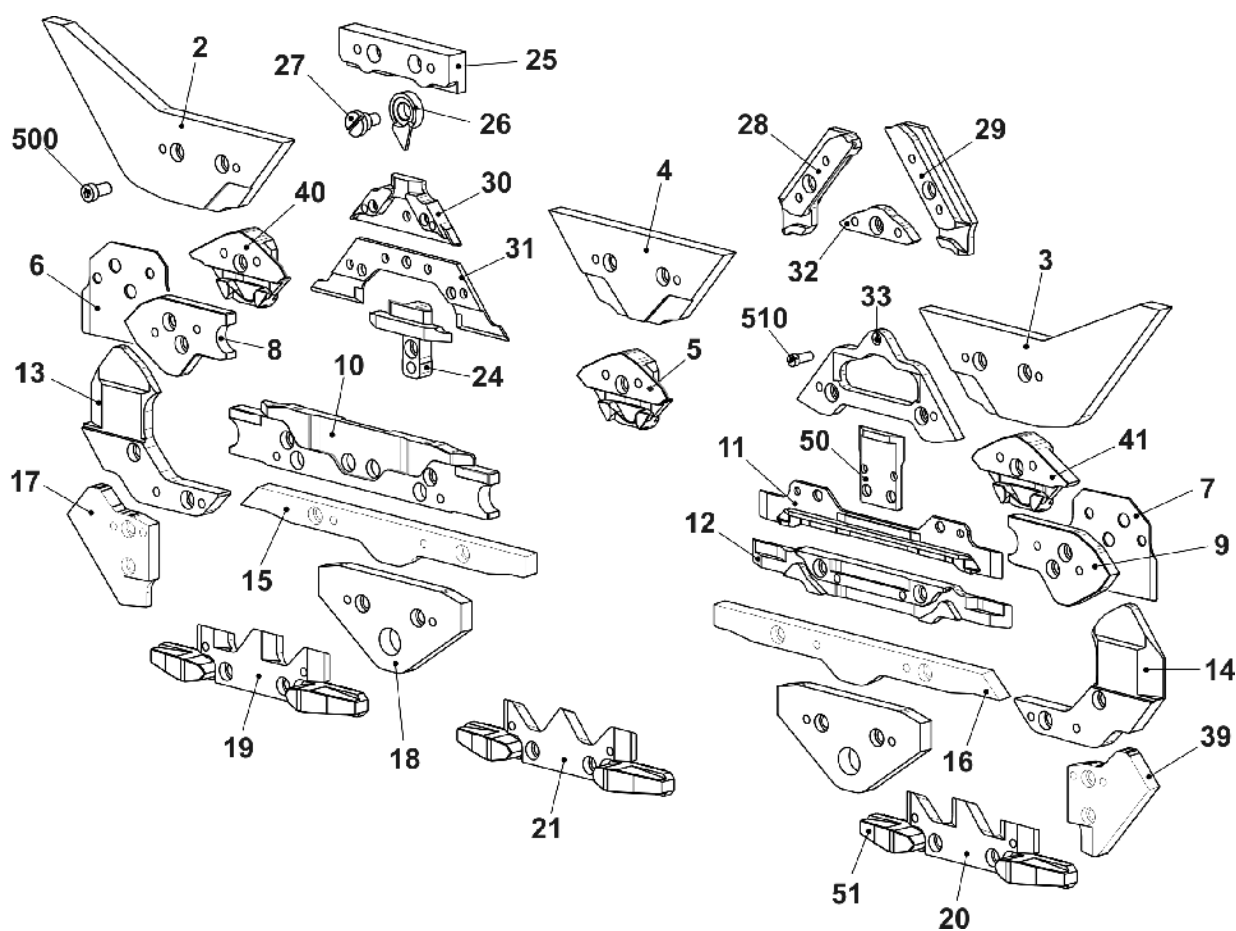
5.6 Cam box E12m.10

Pos	Designation	Id. no.	Pos	Designation	Id. no.
Σ	Cam box complete E12m.10	269 850			
1	Cam plate E10-18	269 843	37	d Circlip	023 565
22	Stay bolt	254 839		e Disk	259 647
23	Guide of pressure cam complete	253 480		f Washer	022 893
34	Loop sinking cam on the left complete E12-14	254 248	38	Slider pressure cam complete	251 834
35	Loop sinking cam on the right complete E12-14	254 249	43	Holding piece	251 828
36	Rod guide on the left complete	252 662	503	Cap screw M3x6	022 589
37	Rod guide on the right complete	252 663	505	Shim 0,5x12x75	236 654
a	Rod guide part	258 148	509	Pan head screw M3x4	023 142
b	Spring rod	252 661	511	Shim 0,03x8x28	023 452
c	Compression spring	257 082	512	Shim 0,05x8x28	023 020



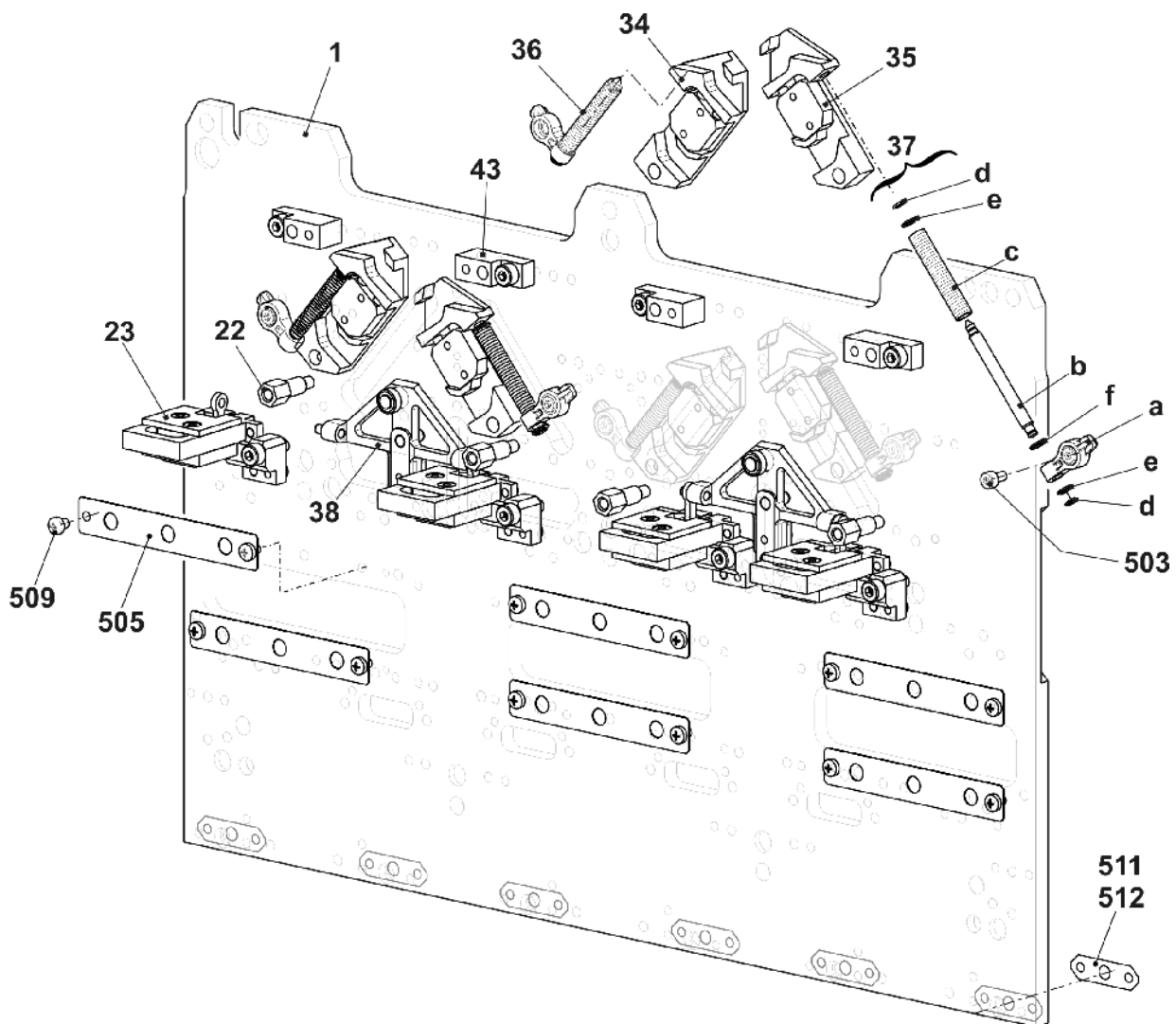
5.6.1 Cams E12m.10

Pos	Designation	Id	Pos	Designation	Id
2	Entry cam on the left at the top E10-18	266 707	21	Selection cam E10-18	251 875
3	Entry cam on the right at the top E10-18	266 708	24	Tuck pressure cam	253 828
4	Entry cam at the top E10-18	256 689	25	Limiting cam E10 E7.2	251 993
5	Knitting position cam E10-14 E6.2 E7.2	255 021	26	Pointer E10	251 994
6	Plate on the left E10-18	255 389	27	Screw	210 335
7	Plate on the right E10-18	255 390	28	Stitch cam on the left E10-14 E7.2	254 331
8	Entry cam on the left E10-18	255 391	29	Stitch cam on the right E10-14 E7.2	254 332
9	Entry cam on the right E10-18	255 392	30	Tuck limiting cam E10 E7.2	254 295
10	Pressure strip E10-14	255 540	31	Raising cam plate E10-18	251 992
11	Cam guide at the top E10-18	258 161	32	Receiving cam E10-12	251 997
12	Cam guide E10-18	255 541	33	Raising cam without split-stitch E10-12	254 334
13	Cam E10-18	255 613		Raising cam with split-stitch E10-12	254 335
14	Cam at the right E10-18	255 614	39	Cam at the right E10-18	259 769
15	Limiting cam on the left	264 051	40	Knitting position cam on the left E10-14 E6.2 E7.2	255 022
16	Limiting cam on the right	264 052	41	Knitting position cam on the right E10-14 E6.2 E7.2	255 023
17	Cam on the left E10-18	259 768	50	Delivery pressure cam	253 838
18	Cam E10-18	269 831	51	Offering cam	210 185
19	Selection cam on the left E10-18	251 876	500	Cap screw M4x8	020 091
20	Selection cam on the right E10-18	251 877	510	Cap screw M3x8	020 081



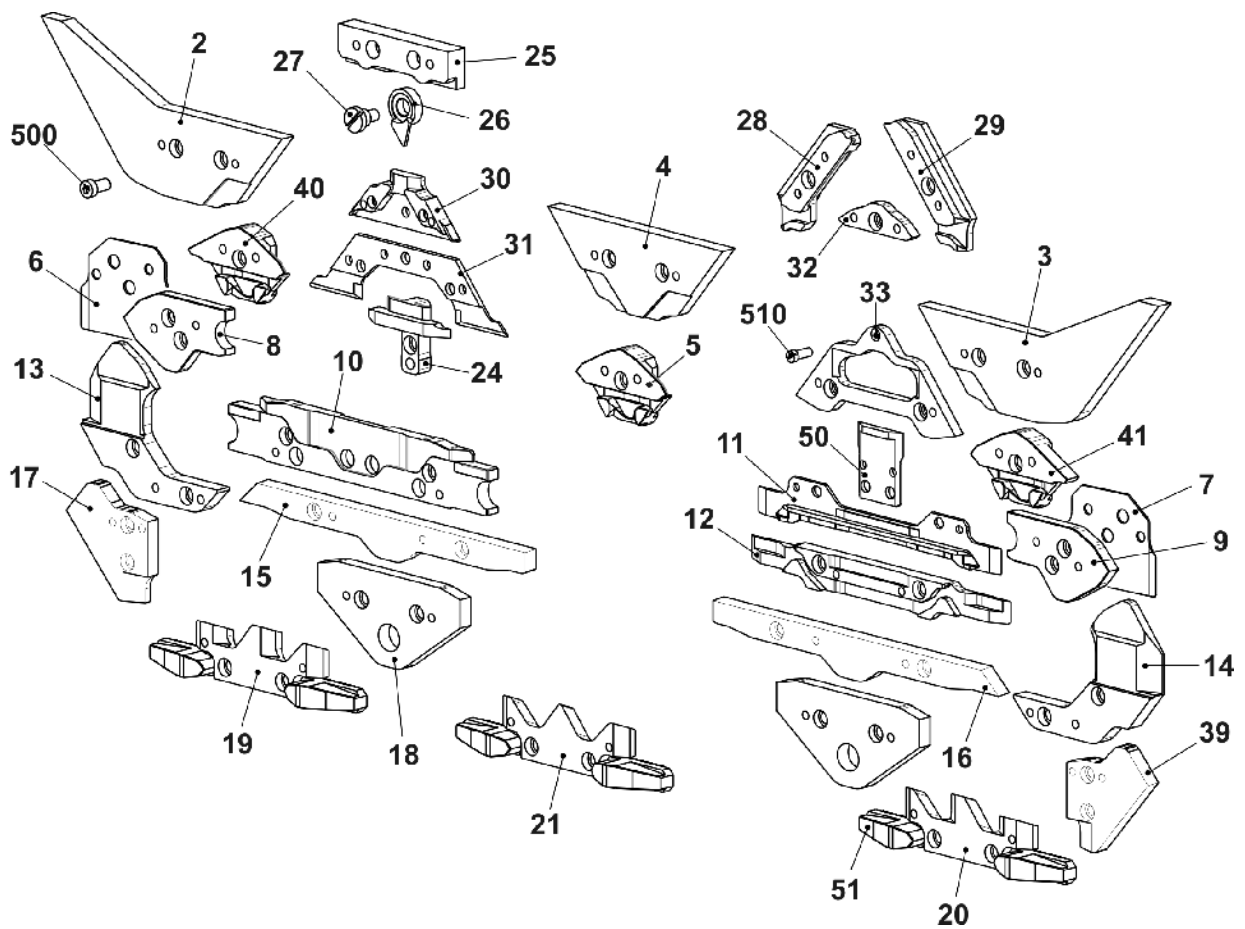
5.7 Cam box E6.2

Pos	Designation	Id. no.	Pos	Designation	Id. no.
Σ	Cam box complete E6.2	269 851			
1	Cam plate E10-18	269 843	37	d Circlip	023 565
22	Stay bolt	254 839		e Disk	259 647
23	Guide of pressure cam complete	253 480		f Washer	022 893
34	Loop sinking cam on the left complete	254 248	38	Slider pressure cam complete	251 834
35	Loop sinking cam on the right complete	254 249	43	Holding piece	251 828
36	Rod guide on the left complete	252 662	503	Cap screw M3x6	022 589
37	Rod guide on the right complete	252 663	505	Shim 0,5x12x75	236 654
a	Rod guide part	258 148	509	Pan head screw M3x4	023 142
b	Spring rod	252 661	511	Shim 0,03x8x28	023 452
c	Compression spring	257 082	512	Shim 0,05x8x28	023 020



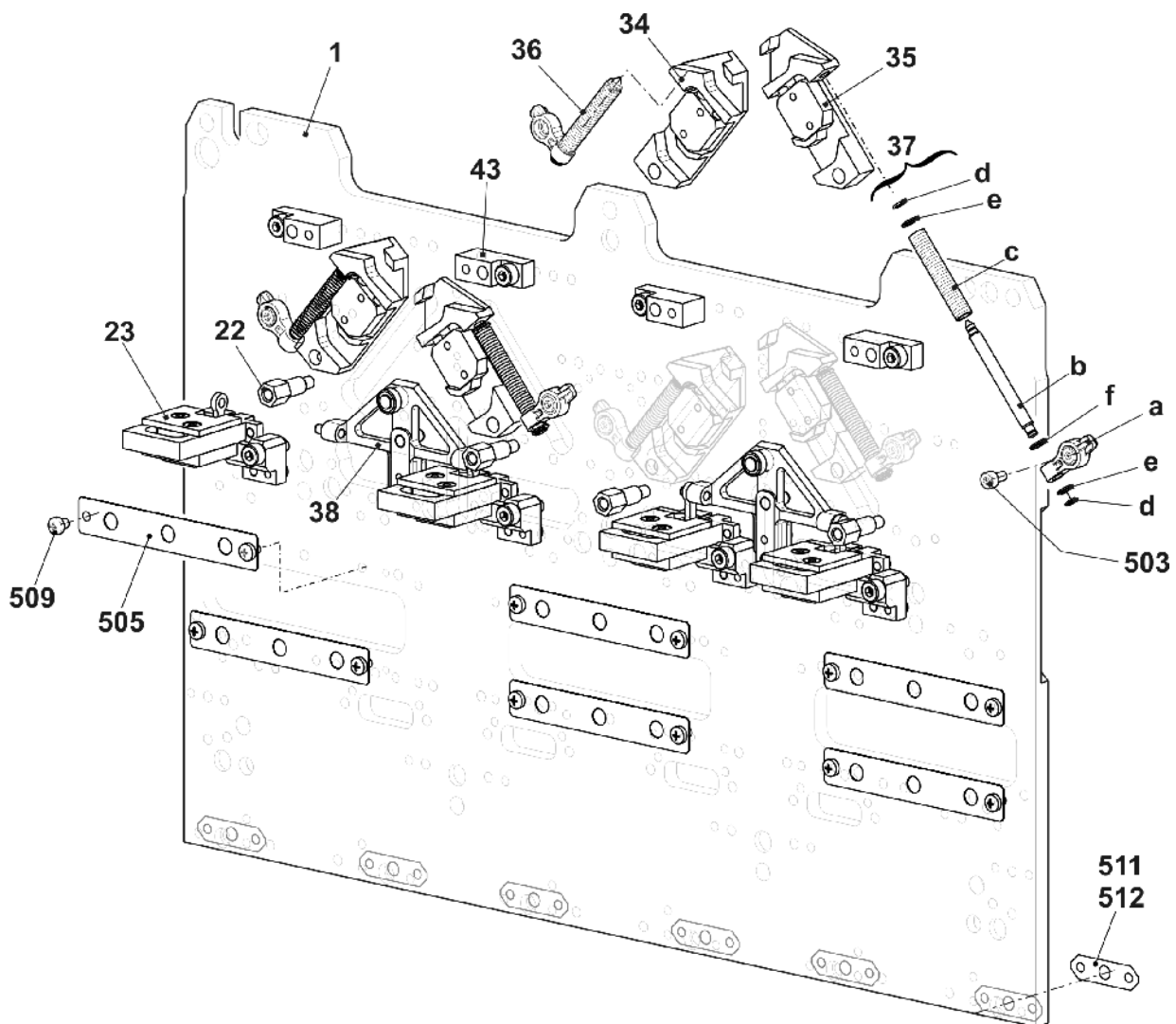
5.7.1 Cams E6.2

Pos	Designation	Id	Pos	Designation	Id
2	Entry cam on the left at the top E10-18	266 707	21	Selection cam E10-18	251 875
3	Entry cam on the right at the top E10-18	266 708	24	Tuck pressure cam	253 828
4	Entry cam at the top E10-18	256 689	25	Limiting cam E6.2	252 955
5	Knitting position cam E10-14 E6.2 E7.2	255 021	26	Pointer E10	251 994
6	Plate on the left E10-18	255 389	27	Screw	210 335
7	Plate on the right E10-18	255 390	28	Stitch cam on the left E6.2	254 342
8	Entry cam on the left E10-18	255 391	29	Stitch cam on the right E6.2	254 343
9	Entry cam on the right E10-18	255 392	30	Tuck limiting cam E6.2	254 301
10	Pressure strip E10-14	255 540	31	Raising cam plate E10-18	251 992
11	Cam guide at the top E10-18	258 161	32	Receiving cam E6.2	252 960
12	Cam guide E10-18	255 541	33	Raising cam without split-stitch E6.2	254 344
13	Cam on the left E10-18	255 613		Raising cam with split-stitch E6.2	254 345
14	Cam at the right E10-18	255 614	39	Cam at the right E10-E18	259 769
15	Limiting cam on the left	264 051	40	Knitting position cam on the left E10-14 E6.2 E7.2	255 022
16	Limiting cam on the right	264 052	41	Knitting position cam on the right E10-14 E6.2 E7.2	255 023
17	Cam on the left E10-18	259 768	50	Delivery pressure cam	253 838
18	Cam E10-18	269 831	51	Offering cam	210 185
19	Selection cam on the left E10-18	251 876	500	Cap screw M4x8	020 091
20	Selection cam on the right E10-18	251 877	510	Cap screw M3x8	020 081



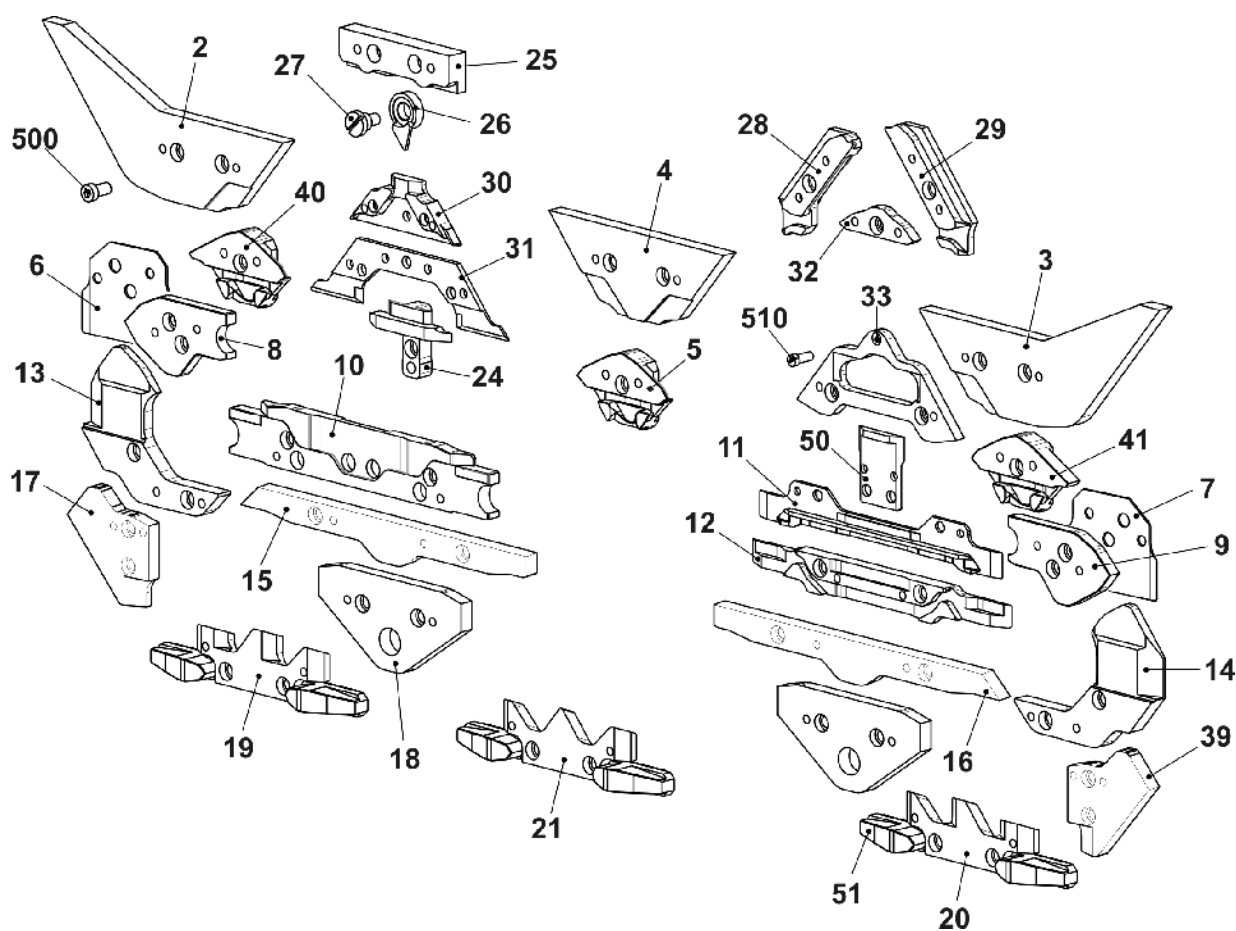
5.8 Cam box E7.2

Pos	Designation	Id. no.	Pos	Designation	Id. no.
Σ	Cam box complete E7.2	269 852			
1	Cam plate E10-18	269 843	37	d Circlip	023 565
22	Stay bolt	254 839		e Disk	259 647
23	Guide of pressure cam complete	253 480		f Washer	022 893
34	Loop sinking cam on the left complete E12-14	254 248	38	Slider pressure cam complete	251 834
35	Loop sinking cam on the right complete E12-14	254 249	43	Holding piece	251 828
36	Rod guide on the left complete	252 662	503	Cap screw M3x6	022 589
37	Rod guide on the right complete	252 663	505	Shim 0,5x12x75	236 654
a	Rod guide part	258 148	509	Pan head screw M3x4	023 142
b	Spring rod	252 661	511	Shim 0,03x8x28	023 452
c	Compression spring	257 082	512	Shim 0,05x8x28	023 020



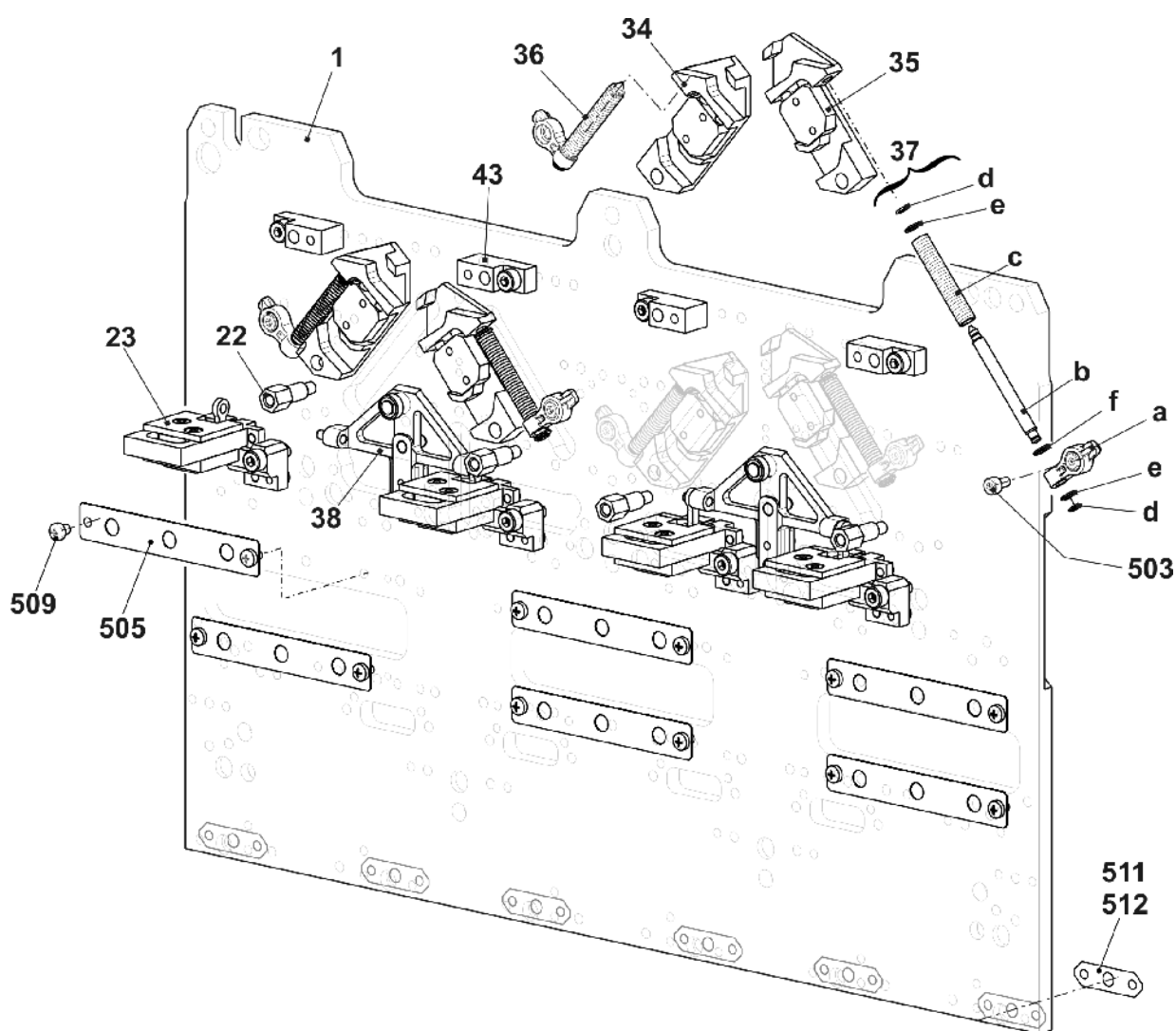
5.8.1 Cams E7.2

Pos	Designation	Id	Pos	Designation	Id
2	Entry cam on the left at the top E10-18	266 707	21	Selection cam E10-18	251 875
3	Entry cam on the right at the top E10-18	266 708	24	Tuck pressure cam	253 828
4	Entry cam at the top E10-18	256 689	25	Limiting cam E10 E7.2	251 993
5	Knitting position cam E10-14 E6.2 E7.2	255 021	26	Pointer E10	251 994
6	Plate on the left E10-18	255 389	27	Screw	210 335
7	Plate on the right E10-18	255 390	28	Stitch cam on the left E10-14 E7.2	254 331
8	Entry cam on the left E10-18	255 391	29	Stitch cam on the right E10-14 E7.2	254 332
9	Entry cam on the right E10-18	255 392	30	Tuck limiting cam E10 E7.2	254 295
10	Pressure strip E10-14	255 540	31	Raising cam plate E10-18	251 992
11	Cam guide E10-18	258 161	32	Receiving cam E10-12	251 997
12	Cam guide E10-18	255 541	33	Raising cam without split-stitch E10-12	254 334
13	Cam on the left E10-18	255 613		Raising cam with split-stitch E10-12	254 335
14	Cam at the right E10-18	255 614	39	Cam at the right E10-18	259 769
15	Limiting cam on the left	264 051	40	Knitting position cam on the left E10-14 E6.2 E7.2	255 022
16	Limiting cam on the right	264 052	41	Knitting position cam on the right E10-14 E6.2 E7.2	255 023
17	Cam on the left E10-18	259 768	50	Delivery pressure cam	253 838
18	Cam E10-18	269 831	51	Offering cam	210 185
19	Selection cam on the left E10-18	251 876	500	Cap screw M4x8	020 091
20	Selection cam on the right E10-18	251 877	510	Cap screw M3x8	020 081



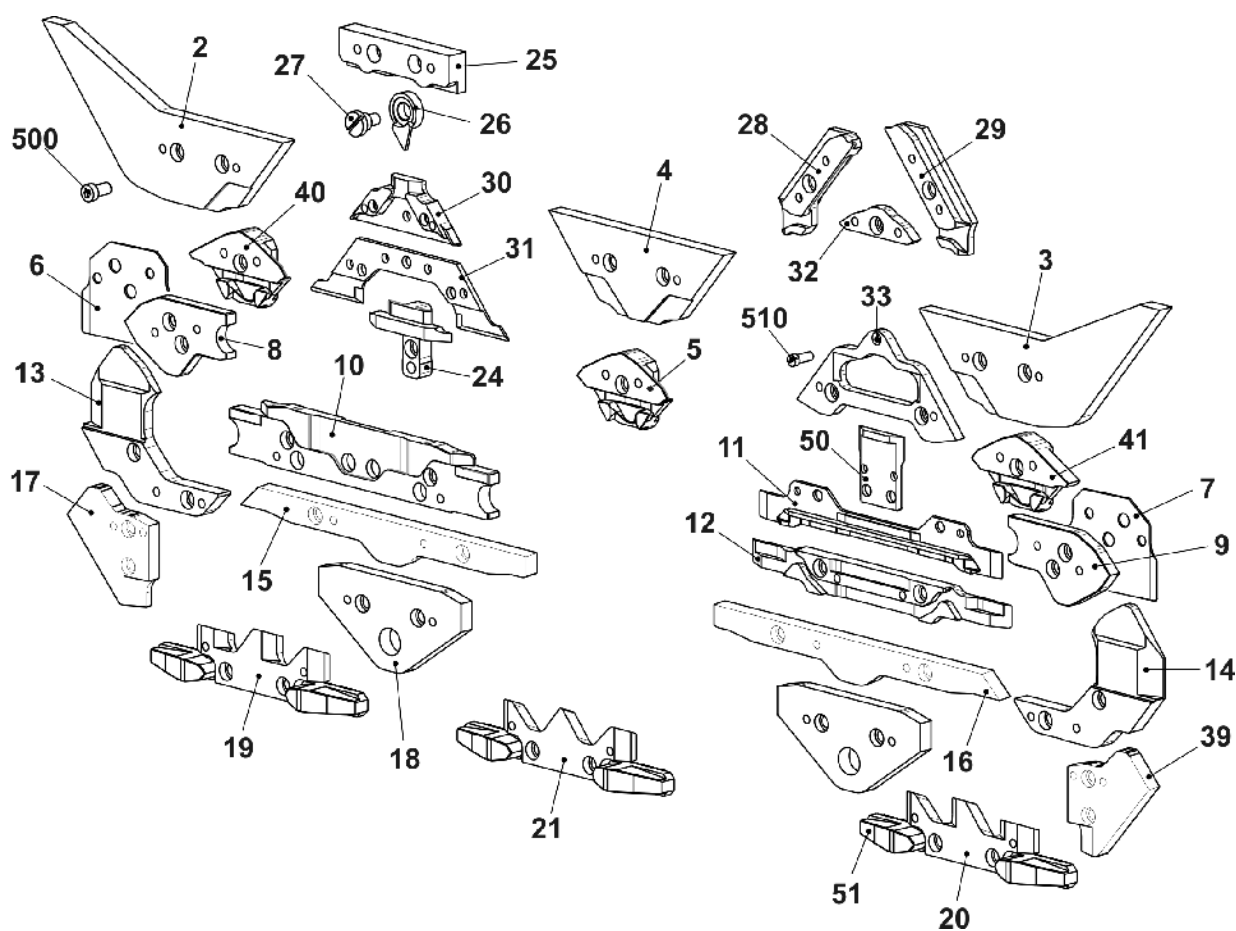
5.9 Cam box E8.2

Pos	Designation	Id. no.	Pos	Designation	Id. no.
Σ	Cam box complete E8.2	269 853			
1	Cam plate E10-18	269 843	37	d Circlip	023 565
22	Stay bolt	254 839		e Disk	259 647
23	Guide of pressure cam complete	253 480		f Washer	022 893
34	Loop sinking cam on the left complete E16-18	251 965	38	Slider pressure cam complete	251 834
35	Loop sinking cam on the right complete E16-18	251 966	43	Holding piece	251 828
36	Rod guide on the left complete	252 662	503	Cap screw M3x6	022 589
37	Rod guide on the right complete	252 663	505	Shim 0,5x12x75	236 654
a	Rod guide part	258 148	509	Pan head screw M3x4	023 142
b	Spring rod	252 661	511	Shim 0,03x8x28	023 452
c	Compression spring	257 082	512	Shim 0,05x8x28	023 020



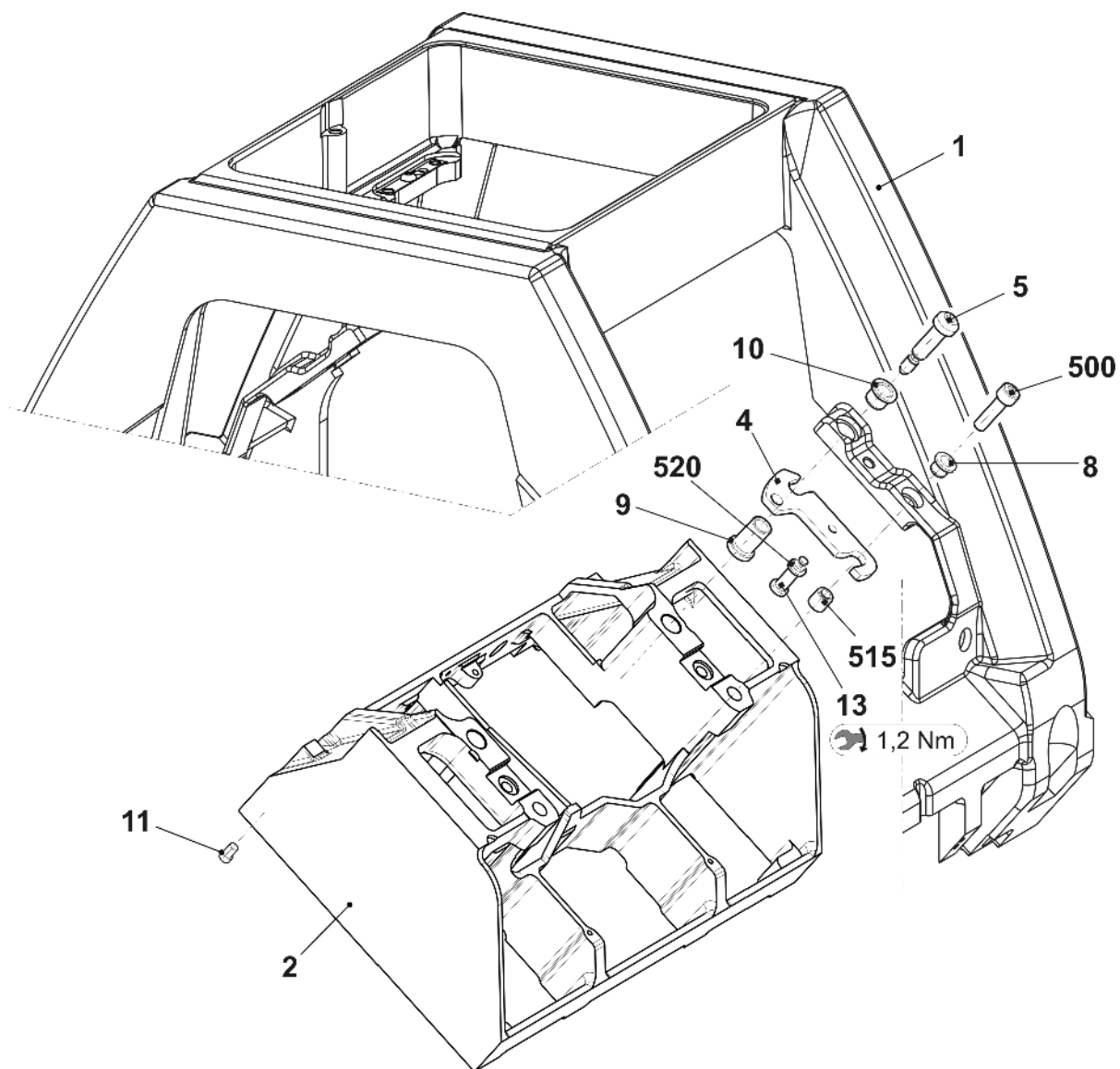
5.9.1 Cams E8.2

Pos	Designation	Id	Pos	Designation	Id
2	Entry cam on the left at the top E10-18	266 707	21	Selection cam E10-18	251 875
3	Entry cam on the right at the top E10-18	266 708	24	Tuck pressure cam	253 828
4	Entry cam at the top E10-18	256 689	25	Limiting cam E8.2	260 901
5	Knitting position cam E16-18 E8.2	255 027	26	Pointer E16-18	252 656
6	Plate on the left E10-18	255 389	27	Screw	210 335
7	Plate on the right E10-18	255 390	28	Stitch cam on the left E16-18 E8.2	254 338
8	Entry cam on the left E10-18	255 391	29	Stitch cam on the right E16-18 E8.2	254 339
9	Entry cam on the right E10-18	255 392	30	Tuck limiting cam E8.2	260 902
10	Pressure strip E16-18	256 681	31	Raising cam plate E10-18	251 992
11	Cam guide at the top E10-18	258 161	32	Receiving cam E8.2	260 903
12	Cam guide E10-18	255 541	33	Raising cam without split-stitch E16-18	254 340
13	Cam on the left E10-18	255 613		Raising cam with split-stitch E16-18	254 341
14	Cam at the right E10-18	255 614	39	Cam at the right E10-18	259 769
15	Limiting cam on the left	264 051	40	Knitting position cam on the left E16-18 E8.2	255 028
16	Limiting cam on the right	264 052	41	Knitting position cam on the right E16-18 E8.2	255 029
17	Cam on the left E10-18	259 768	50	Delivery pressure cam	253 838
18	Cam E10-18	269 831	51	Offering cam	210 185
19	Selection cam on the left E10-18	251 876	500	Cap screw M4x8	020 091
20	Selection cam on the right E10-18	251 877	510	Cap screw M3x8	020 081



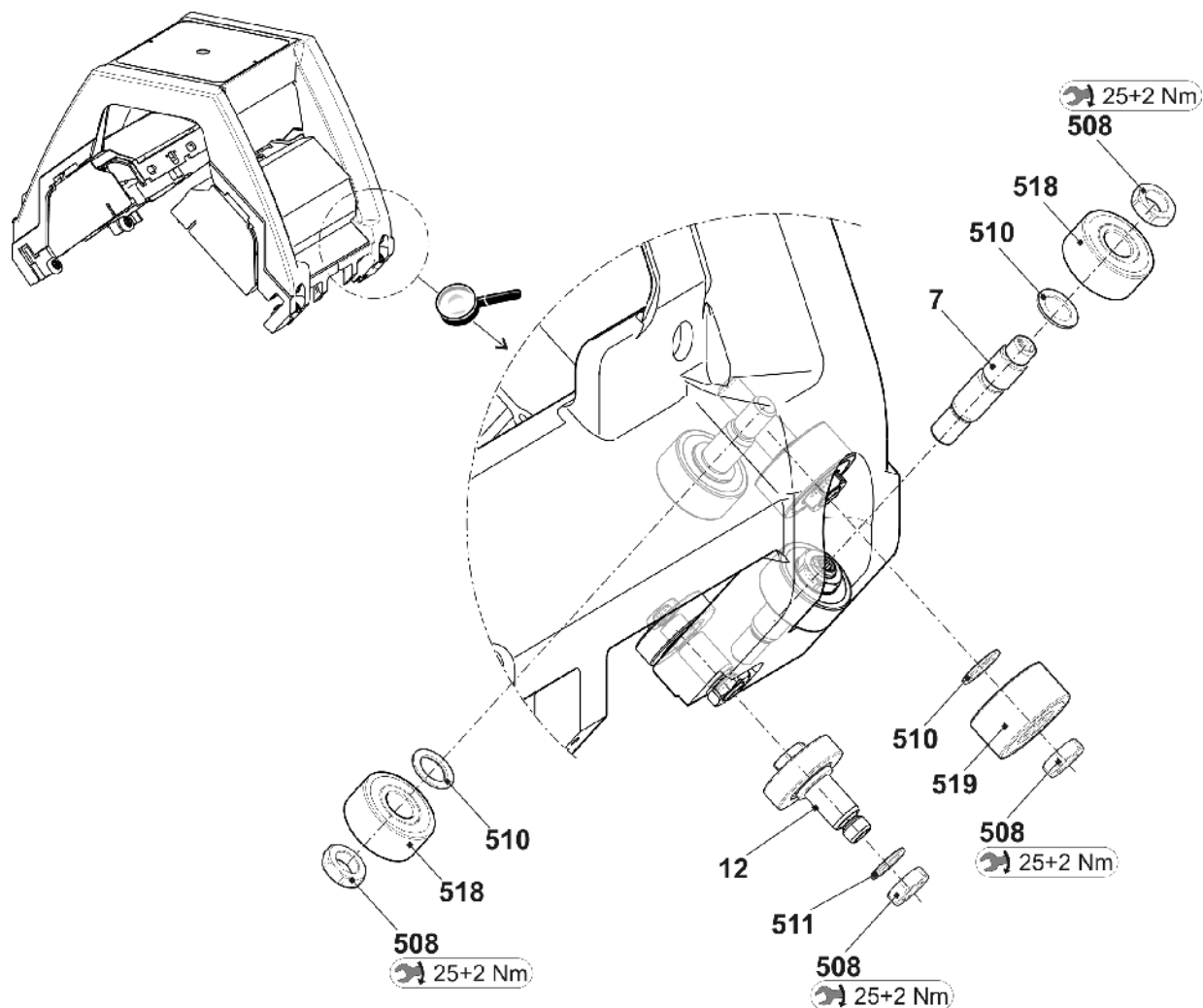
5.10 Carriage assembly

Pos	Designation	Id	Pos	Designation	Id
Σ	Carriage assembly 2 cam boxes complete 5 inches 502	258 453	9	Bush	209 275
1	Carriage frame 2 cam boxes 5 inches	258 433	10	Bush	209 274
2	Carriage part E10-18	265 496	11	Eccentric	222 983
4	Shim	225 312	13	Locating bolt linking spot	244 179
5	Shoulder screw	211 750	500	Cap screw M8x30	020 143
8	Bush	207 546	520	Circlip6	021 022



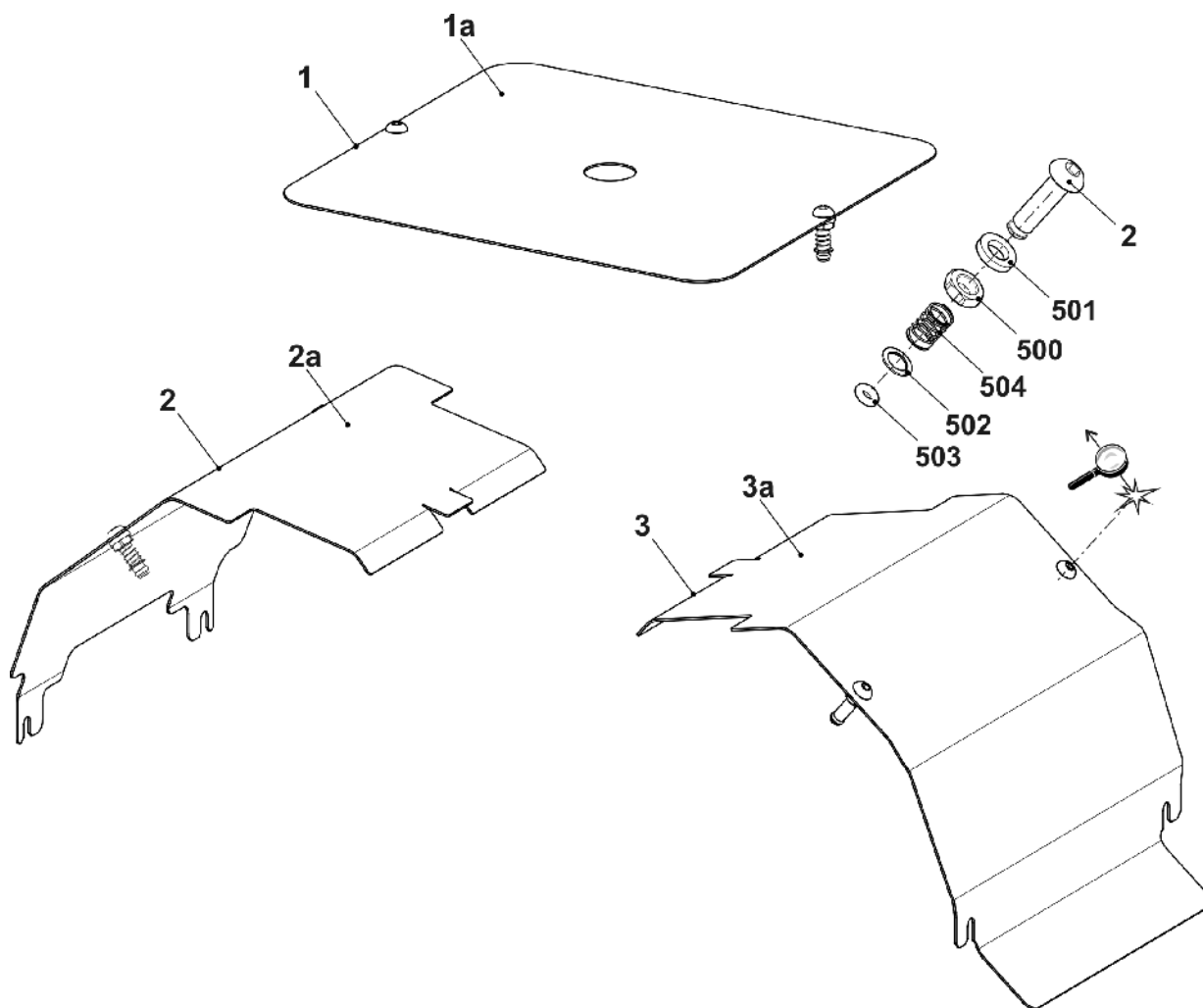
5.11 Carriage guide

Pos	Designation	Id	Pos	Designation	Id
6	Bearing bolt eccentric 0,5	242 060	510	Shim ring 12x18x1	023 315
7	Bearing bolt eccentric 0,5	240 624	511	Shim ring 10x16x1	023 260
12	Bolt pre-assembled	244 283	518	Grooved ball bearing 62201-2RS	241 408
508	NutM10	023 316	519	Grooved ball bearing 62300-2RS1	242 070



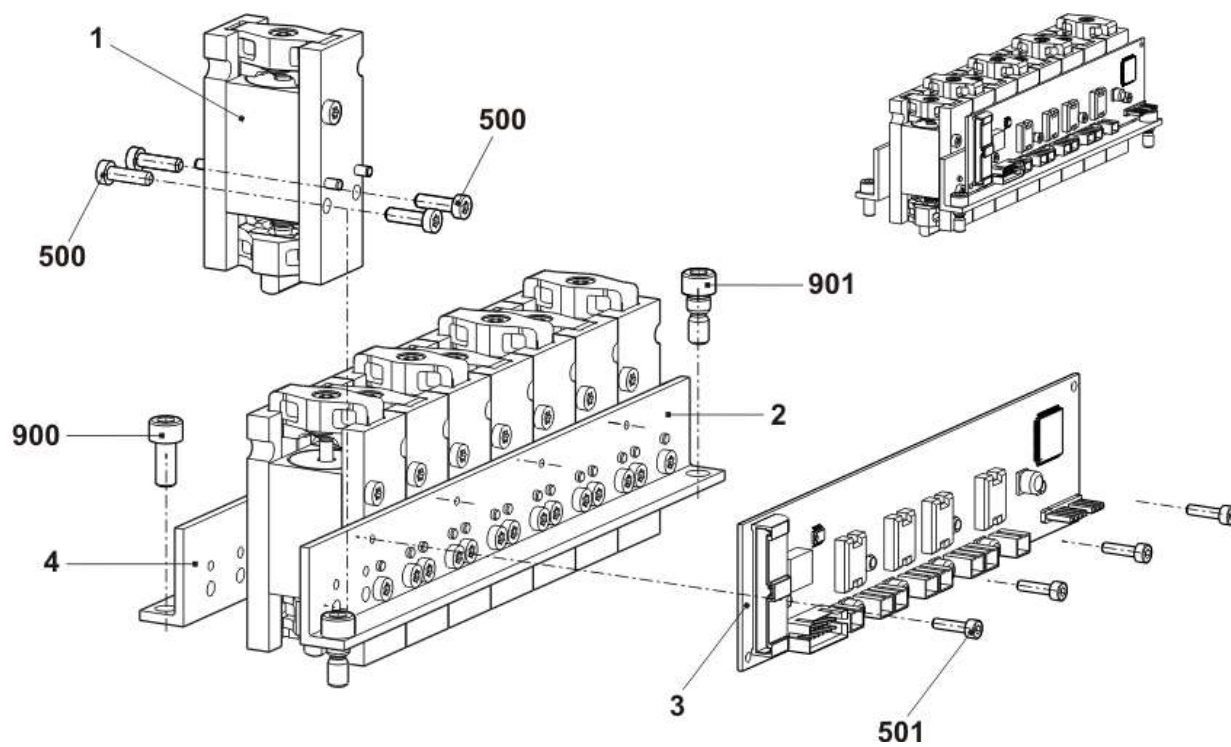
5.12 Carriage cover

Pos	Designation	ID	Pos	Designation	ID
1	Carriage cover at the top 2 cam boxes complete	257 102	10	Locating bolt	242 382
	1a Carriage cover at the top 2 cam boxes	253 317	500	Hexagon nut M6	257 088
2	Carriage cover at the rear complete 2 cam boxes	257 175	501	Washer 6.1x9x0,5	023 554
	2a Carriage cover at the rear 2 cam boxes	253 319	502	Serrated lock washer 6,4	022 385
3	Carriage cover at the front 2 cam boxes complete	257 174	503	O-ring 3x2	242 420
	3a Carriage cover front 2 cam boxes	253 318	504	Compression spring 0,48x7,02x17,29	023 654



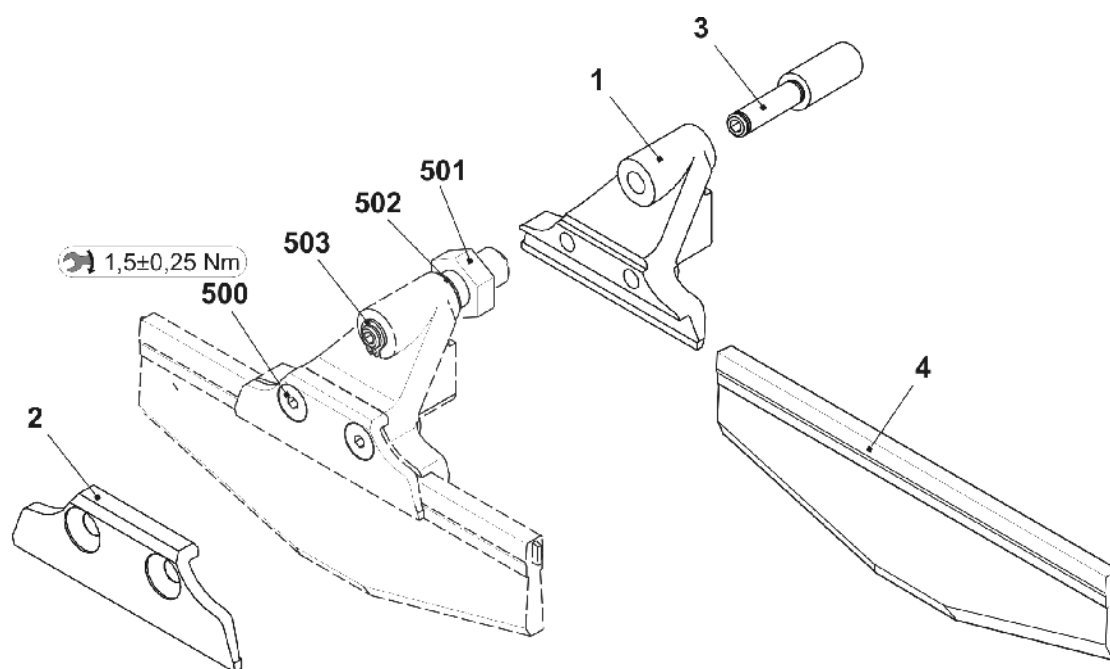
5.13 Yarn Carrier Drive

Pos	Designation	Id	Pos	Designation	Id
Σ	YC driving complete	268 845			
1	Yarn carrier plunger complete	268 844	500	Cap screw M4x14-I-Torx	242 279
2	Holding angle for jack	269 961	501	Cap screw M3x12-12.9	022 648
3	Card yarn carrier final stages OKC	300 960	900	Cap screw M6x14	022 658
4	Holding angle for YC driving	269 962	901	Shoulder screw	231 899



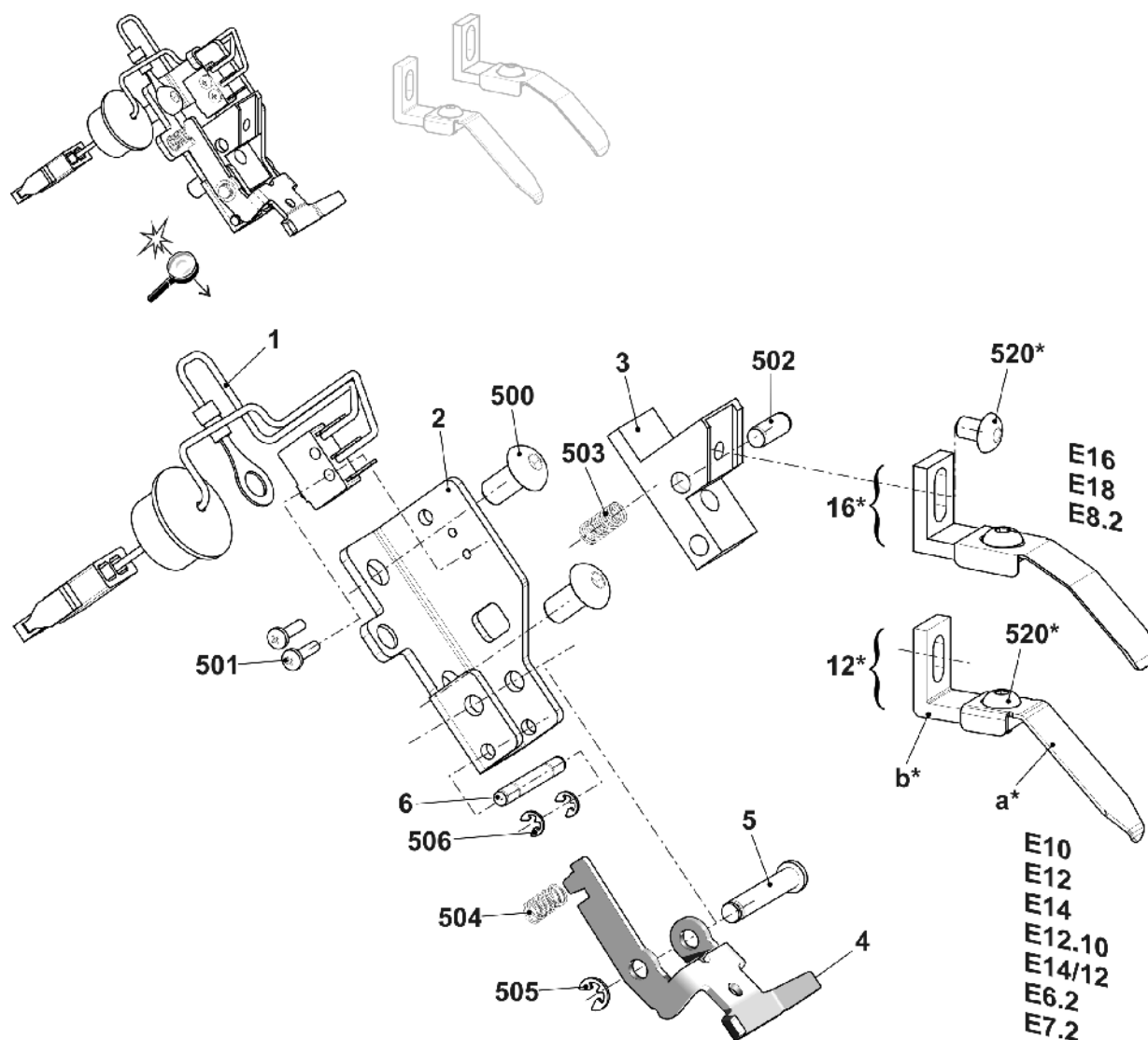
5.14 Brush holder

Pos	Designation	ID	Pos	Designation	ID
Σ	Brush holder complete		4	Brush	
	E10 E12 E14 E14/12	252 749		E10 E12 E14 E14/12	243 074
	E6.2 E7.2 (E12m.10)			E6.2 E7.2 6.2(E12m.10)	
	E16 E18	213 710		E16 E18	203 254
	E8.2	263 500		E8.2	260 502
1	Brush holder	213 009	501	Hexagon nut M8x4	020 856
2	Brush clamp	213 010	502	Shim ring 5x10x0,5	023 348
3	Threaded rod	209 740	503	Retaining ring 5x0,6	023 347
500	Countersunk head screw M4x12	023 062			



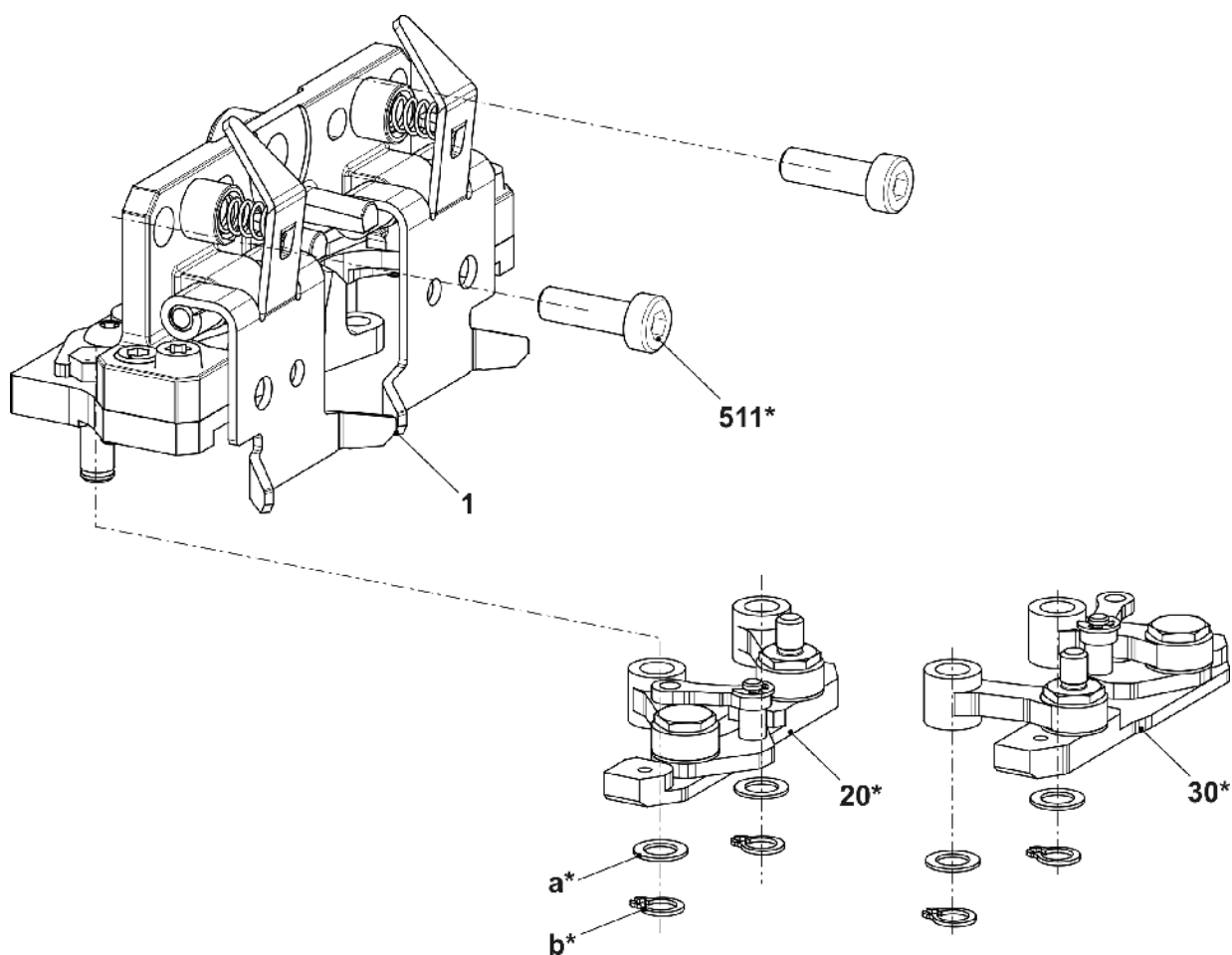
5.15 Needle detector

Pos	Designation	ID	Pos	Designation	ID	
Σ	Needle detector pre-assembled E10-18	256 475	503	Compression spring 4,3x0,45x10	021 398	
1	Cable of needle detector complete	261 856	504	Compression spring 0,32x4,00x13,10	256 952	
2	Retainer	256 476	505	Circlip2,3	021 018	
3	Switch rocker	256 477	506	Circlip1,9	023 565	
4	Set-out plate	256 094	12*	Sensor pre-assembled E10-14	256 454	
5	Bolts	256 492		a*	Sensor E10-14	255 758
6	Stop bolt	256 493		b*	Angle	255 757
500	Pan-head screw M5x10	023 247		520*	Pan-head screw M4x6	023 427
501	Pan-head screw M2x8	258 310	16*	Sensor pre-assembled E16-18	256 784	
502	Dowel pin4x10-A	023 753		a*	Sensor E16-18	255 759



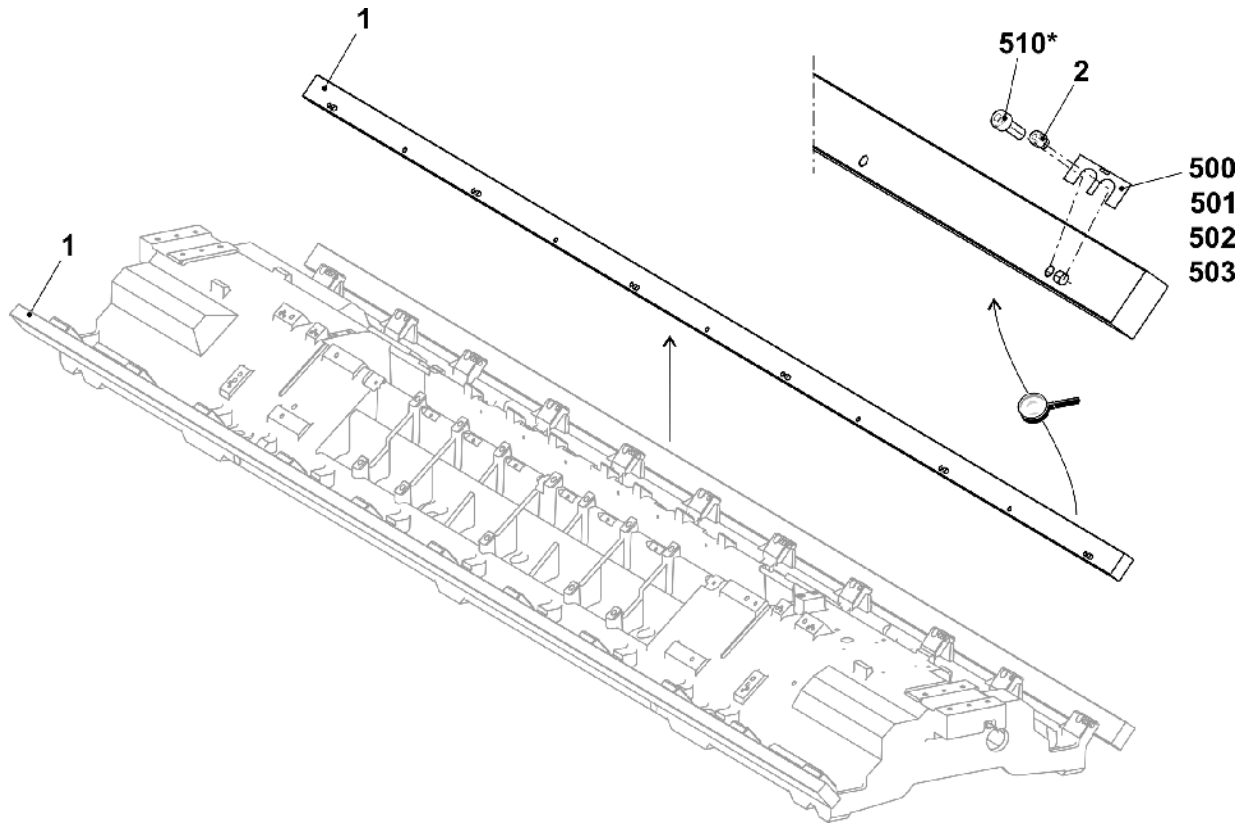
5.16 Holding-down jack control and slider

Pos	Designation	Id	Pos	Designation	Id
1	Holding-down jack control complete		20*	Slider on the right complete	
	E10	256 306		E10	256 391
	E12 E14 E6.2(12m.10) E7.2(14/12) E6.2	256 307		E12 E14 E6.2(12m.10) E7.2(14/12) E6.2	256 392
	E16 E18 E8.2	256 308		E16 E18 E8.2	256 393
	E7.2	256 309		E7.2	256 394
	E8.2	256 310		E8.2	256 395
511*	Cap screw M5x16	023 141	30*	Slider on the left complete	
		E10		256 396	
		E12 E14 E6.2(12m.10) E7.2(14/12) E6.2		256 397	
		E16 E18 E8.2		256 398	
		E7.2		256 399	
		E8.2		256 400	
			a*	Shim ring 5x10x0,5	023 348
			b*	Retaining ring 5x0,6	023 347

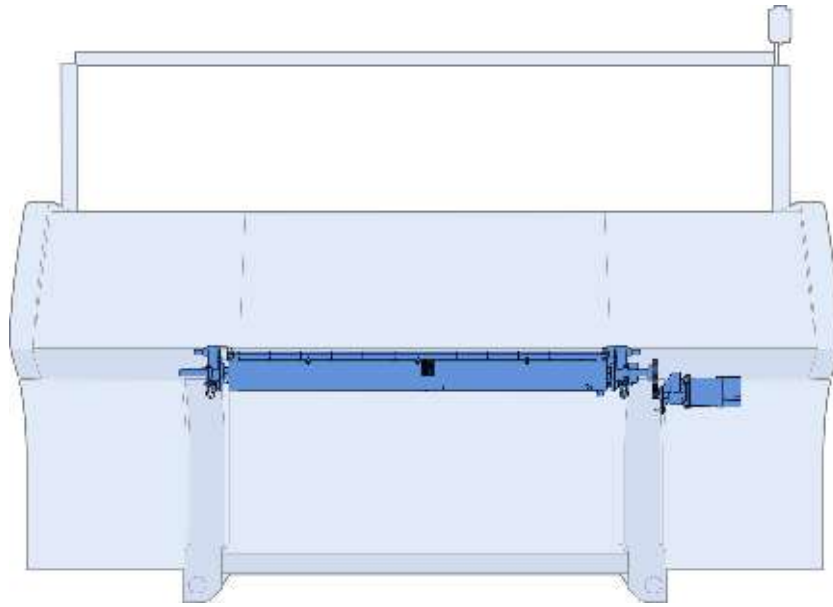


5.17 Spare parts package carriage guide bar

Pos	Designation	ID	Pos	Designation	ID
Σ	Spare parts package carriage guide bar ECO2	253 883	501	Shim 0,05x22x42	243 291
1	Carriage guide rail	253 822	502	Shim 0,10x22x42	243 292
2	Adjusting eccentric	241 219	503	Shim 0,20x22x42	243 293
500	Shim 0,03x22x42	243 289	510*	Cap screw M8x20	020 141

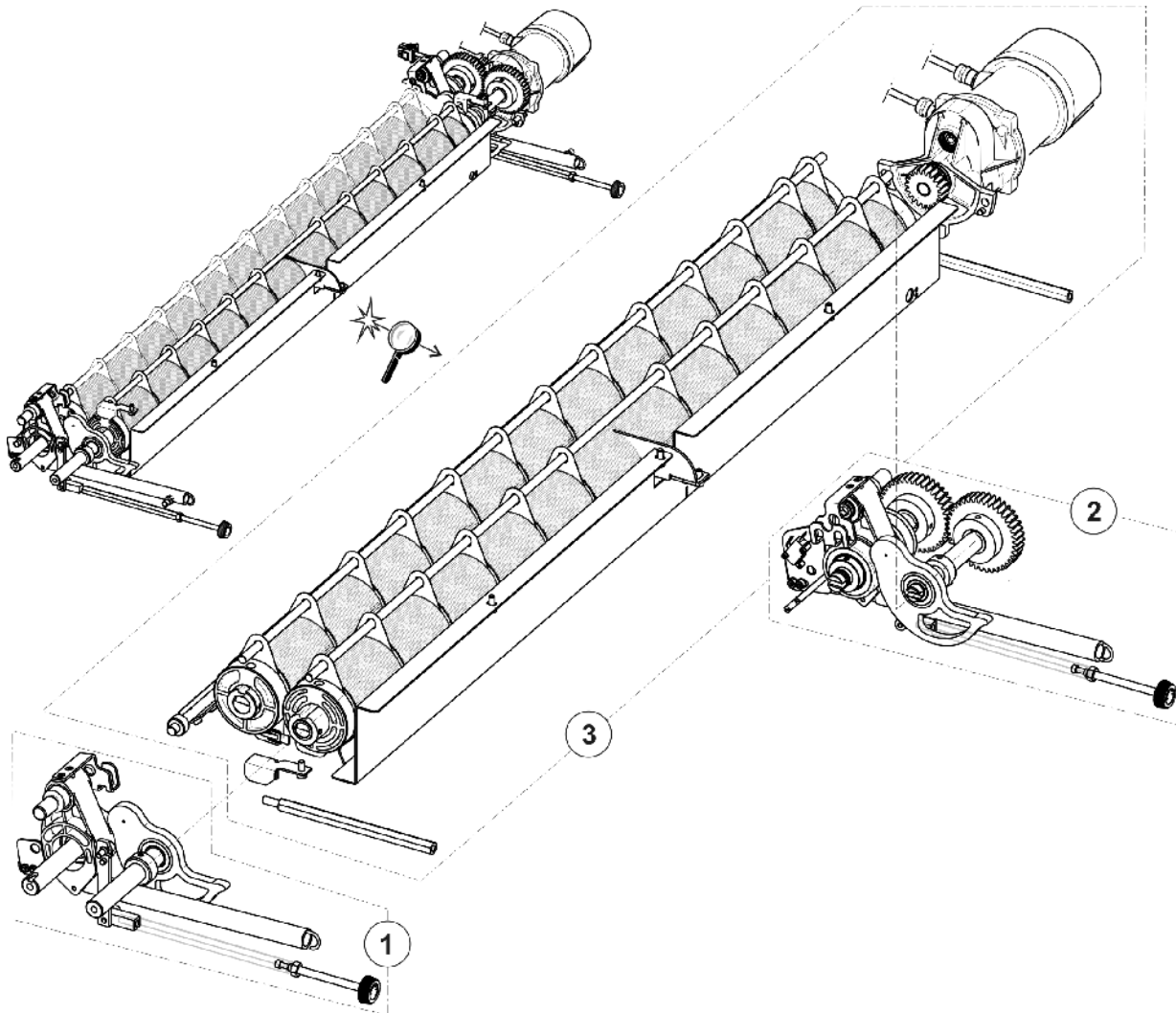


6 Main Take-down



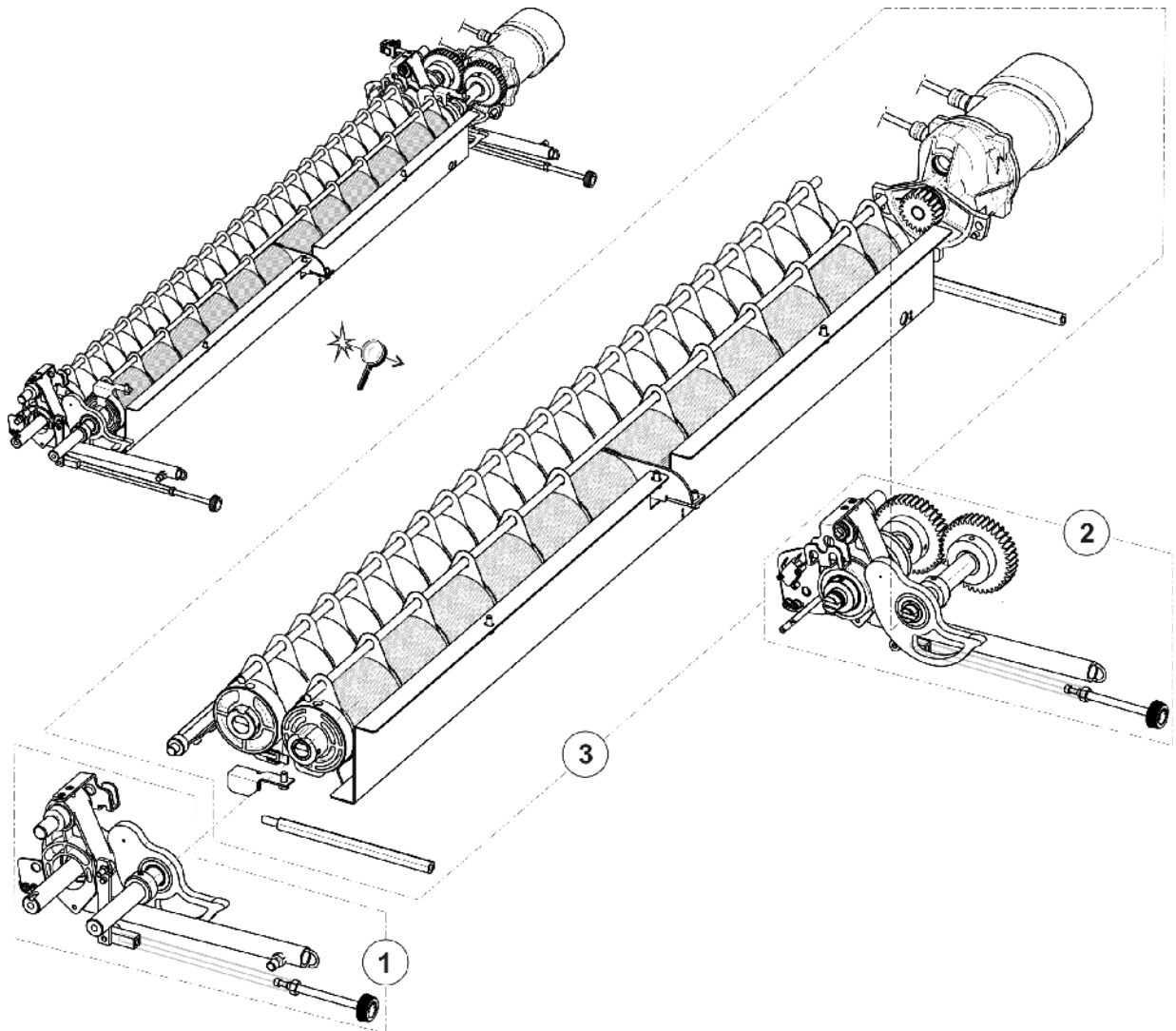
6.1 Main take-down E10 | E12 | E14 | E6.2(12m.10) | E7.2(14/12) | E6.2 | E7.2

Pos	Designation	ID	Pos	Designation	ID
Σ	Main Take-down E5-14		2	Main take-down on the right	268 571
1	Main take-down on the left	268 572	3	Main take-down in the middle E5-14	267 683



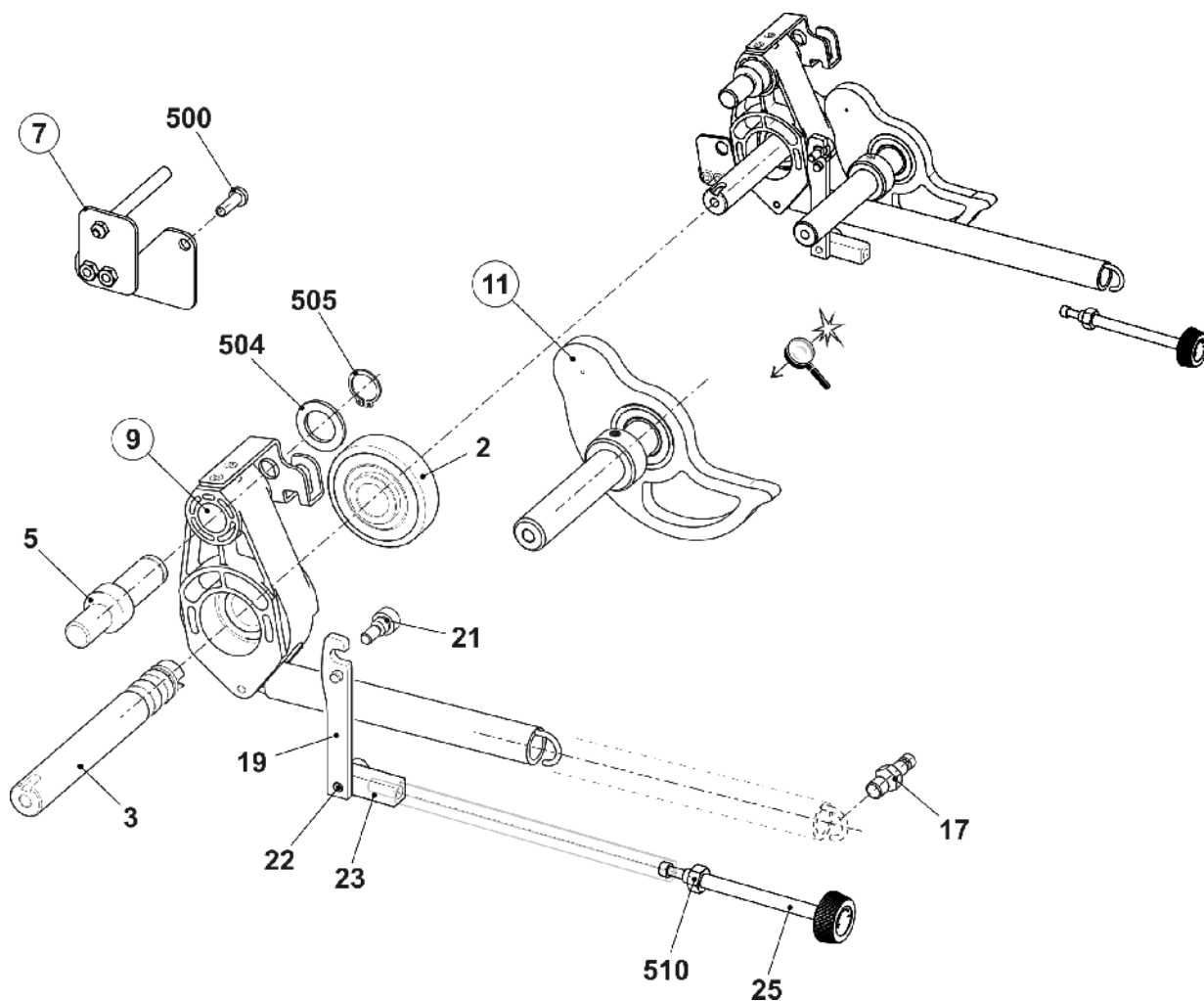
6.2 Main take-down E16 | E18 | E8.2

Pos	Designation	ID	Pos	Designation	ID
Σ	Main Take-down E16-18		2	Main take-down on the right	268 571
1	Main take-down on the left	268 572	3	Main take-down in the middle E16-18	267 686



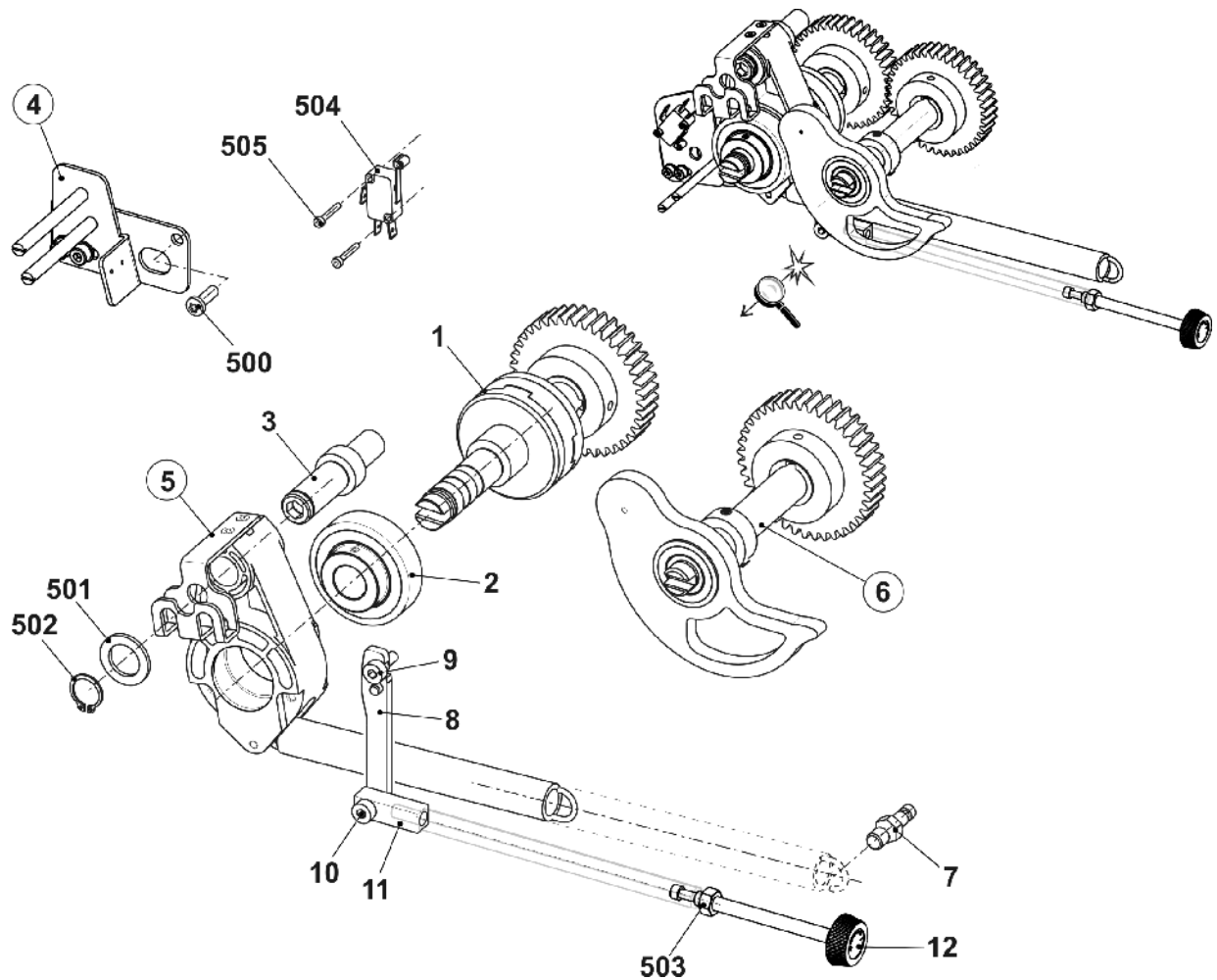
6.3 Main take-down on the left

Pos	Designation	Id	Pos	Designation	Id
Σ	Main take-down on the left	268 572			
2	Bearing race complete	244 459	21	Shoulder screw	257 000
3	Shaft on the left at the rear	221 012	22	Distance bolt	256 077
5	Bolts	208 538	23	Coupling piece	256 999
7	Mounting plate on the left complete	267 031	25	Knurled screw	250 608
9	Swivel-mounted bearing on the left	273 231	500	Screw 50x15	251 728
11	Full floating axle on the left	251 984	504	Washer 18	023 295
17	Spring bolt	221 143	505	Retaining ring 18x1,2	020 955
19	Stop point	256 078	510	Hexagon nut M8-6	020 838



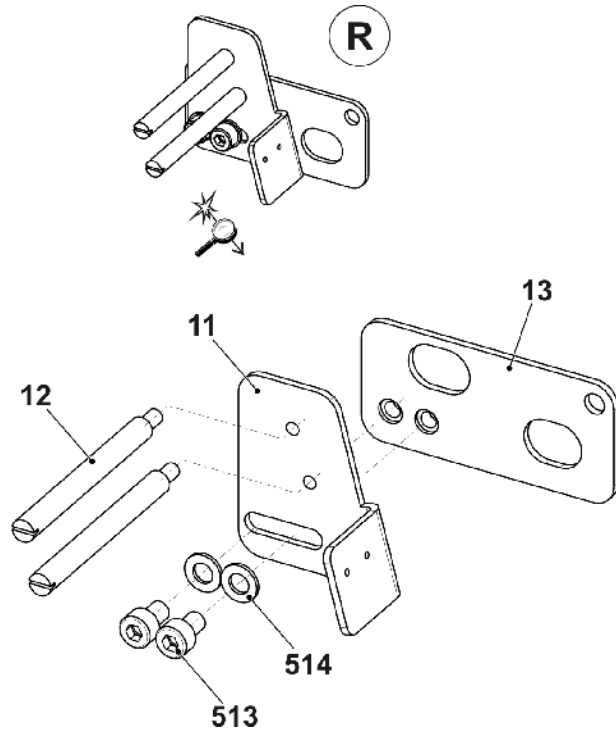
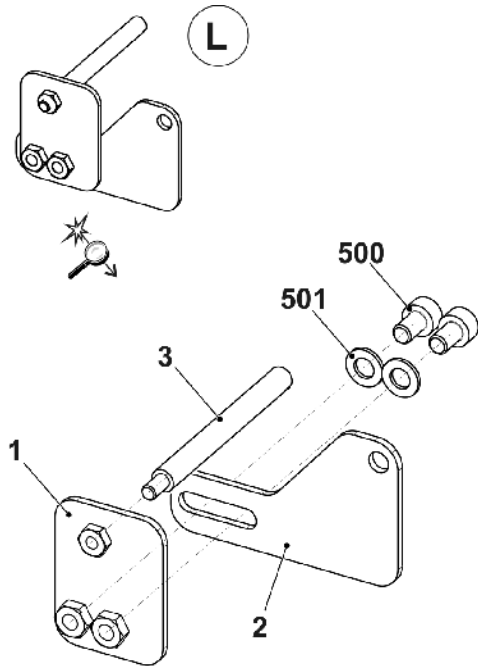
6.4 Main take-down on the right

Pos	Designation	Id	Pos	Designation	Id
Σ	Main take-down on the right	268 571			
1	Clutch set	251 677	10	Distance bolt	256 077
2	Bearing race complete	244 459	11	Coupling piece	256 999
3	Bolts	208 538	12	Knurled screw	250 608
4	Mounting plate on the right complete	267 032	500	Screw 50x15	251 728
5	Swivel-mounted bearing on the right	251 761	501	Washer 18	023 295
6	Full floating axle on the right	251 985	502	Retaining ring 18x1,2	020 955
7	Spring bolt	221 143	503	Hexagon nut M8-6	020 838
8	Stop point	256 078	504	Microswitch Xgk2-s21 250	210 510
9	Shoulder screw	257 000	505	Cap screw M3x16	022 583



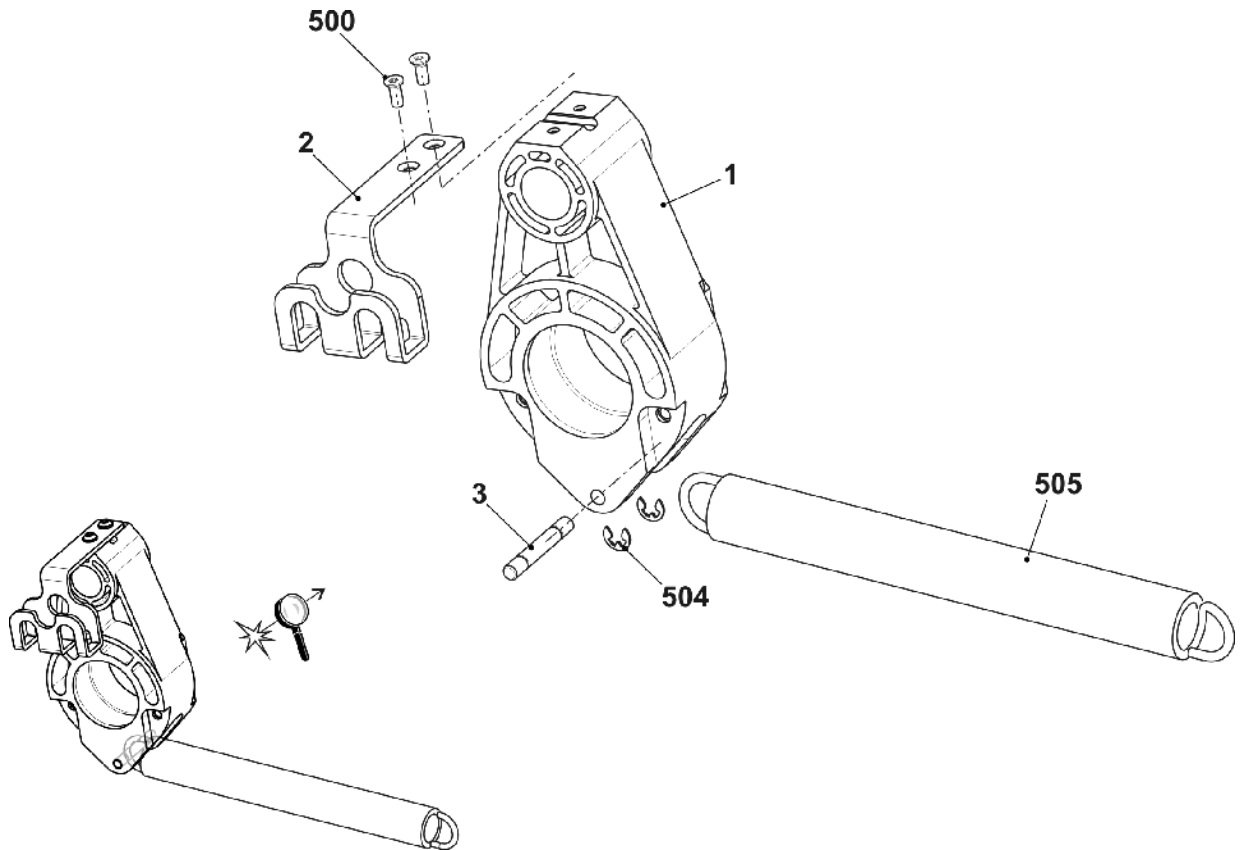
6.5 Mounting plate on the left and right

Pos	Designation	ID	Pos	Designation	ID
Σ L	Mounting plate on the left complete	267 031	Σ R	Mounting plate on the right complete	267 032
1	Mounting plate on the left	265 868	11	Mounting plate on the right	265 757
2	Retaining plate on the left	231 539	12	Shoulder screw	240 067
3	Shoulder screw	240 067	13	Retaining plate on the right	265 867
500	Cap screw M5x8	244 278	513	Cap screw M5x8	244 278
501	Washer 5-200	020 871	514	Washer 5-200	020 871



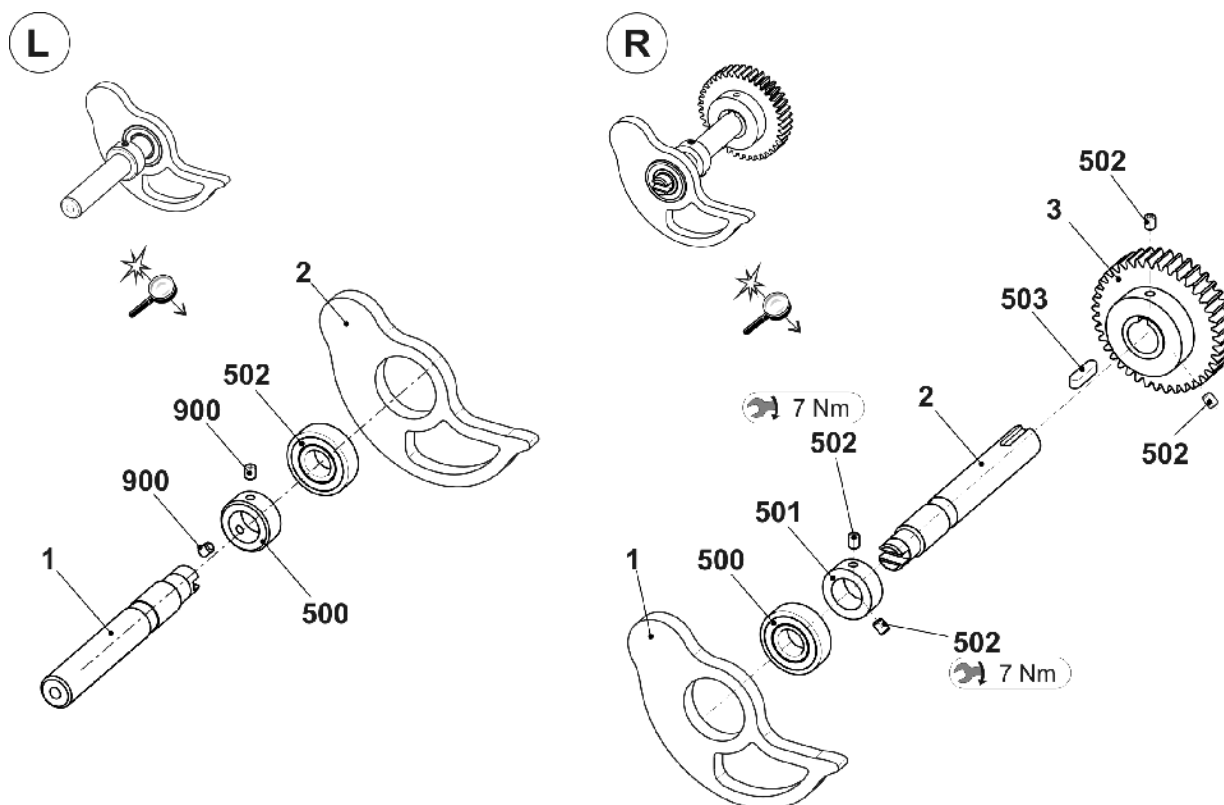
6.6 Swivel-mounted bearing

Pos	Designation	Id	Pos	Designation	Id
Σ	Swivel-mounted bearing	273 231			
1	Swivel-mounted bearing	241 996	500	Screw M35x10	259 102
2	Sheet metal support	251 749	504	Circlip 4	021 020
3	Axle	251 758	505	Tension spring 21x3,0x192	240 217



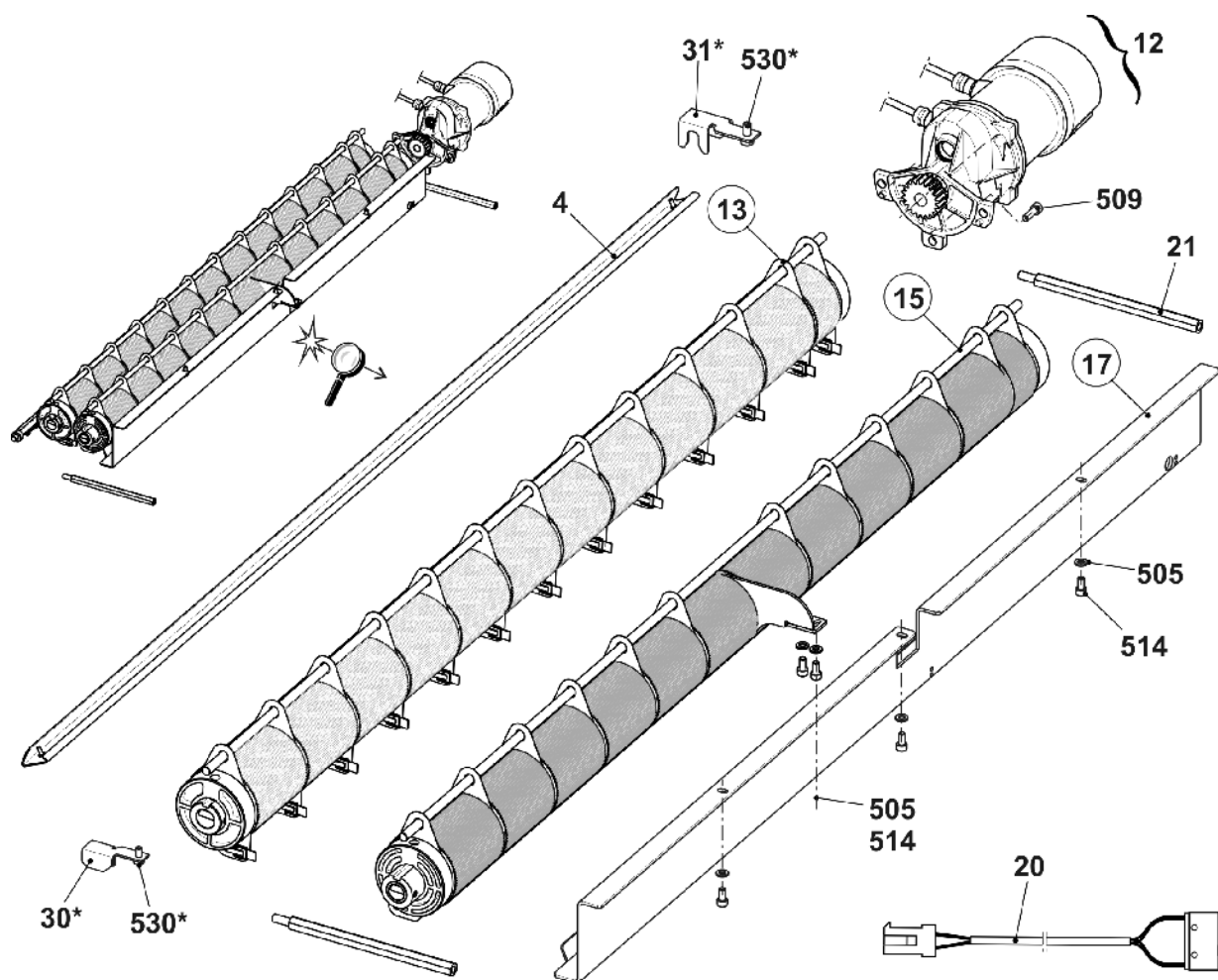
6.7 Full floating axle on the left and the right

Pos	Designation	Id	Pos	Designation	Id
Σ L	Full floating axle on the left	251 984	Σ R	Full floating axle on the right	251 985
1	Shaft on the left at the front	221 013	1	Eccentric	251 959
2	Eccentric	251 959	2	Shaft on the right	223 393
500	Set collar	020 938	3	Gear wheel Z=40, M=2	213 744
502	Fitting freewheel ZZ6203L	023 294	500	Fitting freewheel ZZ6203L	023 294
900	Setscrew M6x8	022 684	501	Set collar	020 938
			502	Setscrew M6x8	022 684
			503	Feather key A 6x6x25	023 017



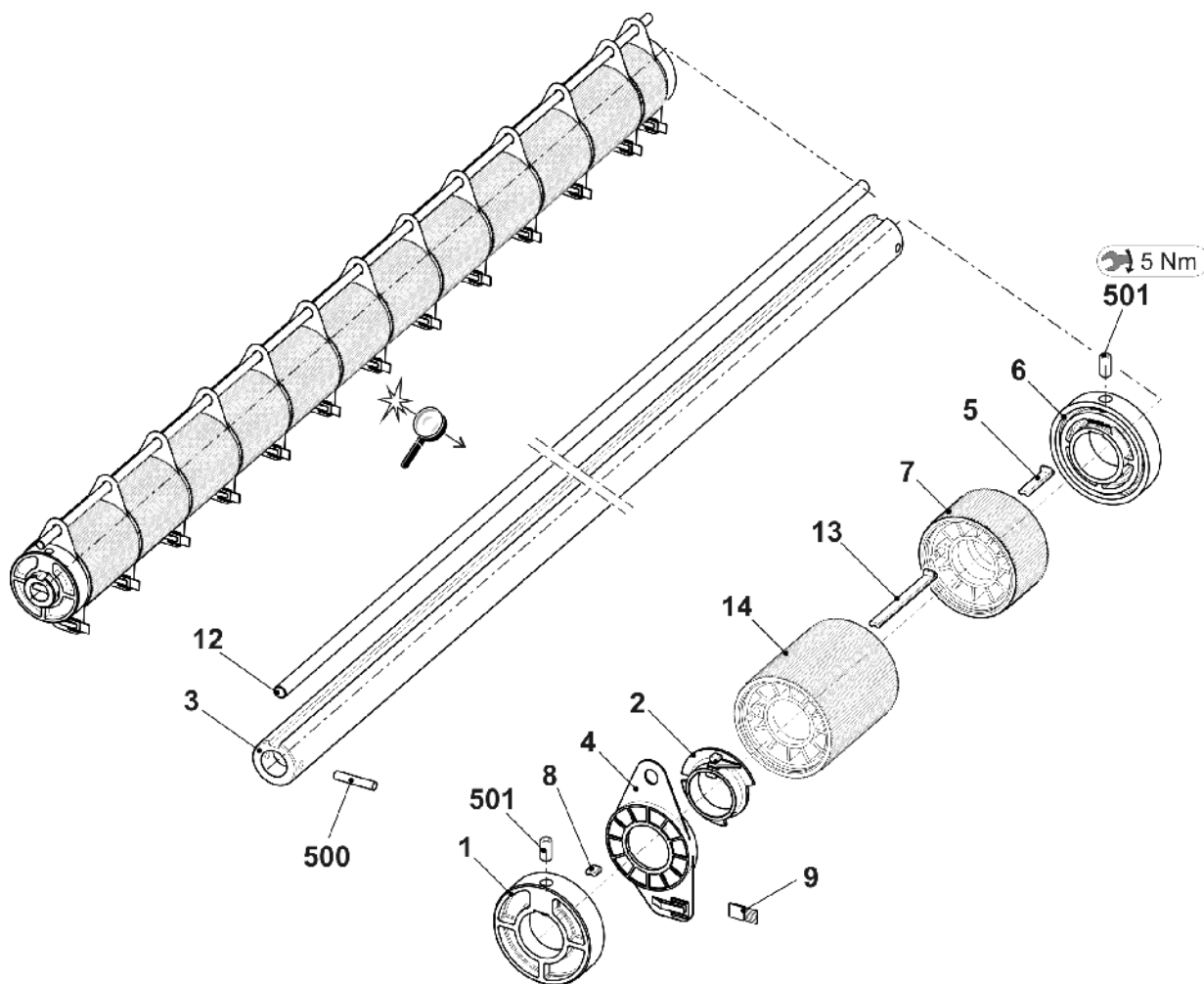
6.8 Main take-down in the middle E10 | E12 | E14 | E6.2(12m.10) | E7.2(14/12) | E6.2 | E7.2

Pos	Designation	ID	Pos	Designation	ID
Σ	Main take-down in the middle E5-14	267 683	21	Connecting rod	256 998
4	Stripping angle	265 733	505	Washer 6	022 431
12	Three phase servo motor of take-down	259 655	509	Cap screw M8x25	020 142
13	Take-down roller at the rear complete E5-14	251 683	514	Cap screw M6x12	020 134
15	Take-down roller at the front complete E5-14	251 681	30*	Sheet metal support on the left	251 766
17	Angle rail complete	251 550	31*	Sheet metal support on the right	251 765
20	Connection cable winding plate OKC5	267 012	530*	Cap screw M6x12	020 134



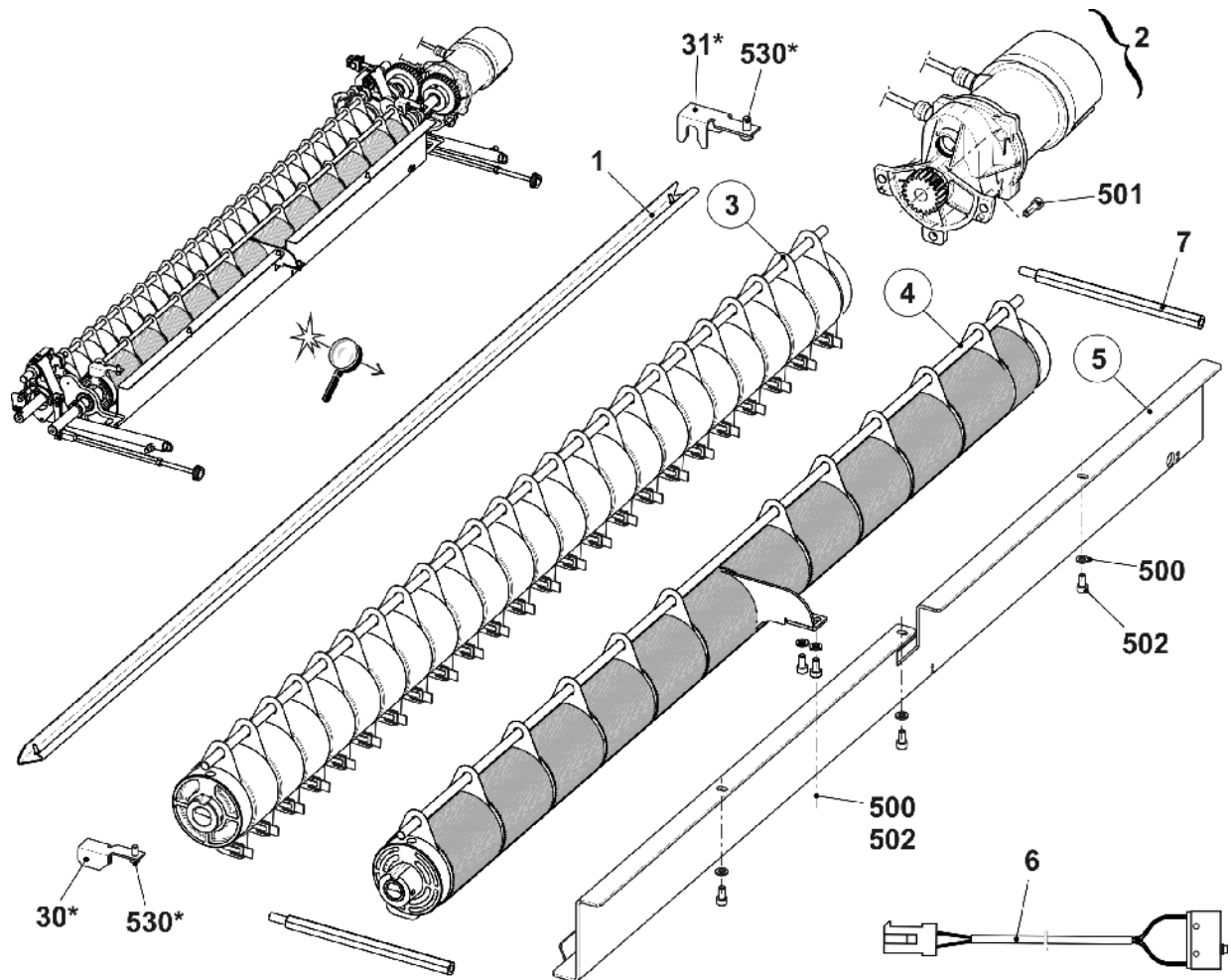
6.8.1 Rear take-down roller E10 | E12 | E14 | E6.2(12m.10) | E7.2(14/12) | E6.2 | E7.2

Pos	Designation	Id	Pos	Designation	Id
Σ	Take-down roller at the rear complete E5-14	251 683			
1	Ring on the left	255 830	8	Spacer slide	222 062
2	Stop ring on the left	204 369	9	Brush	225 819
3	Shaft	251 682	12	Rod	251 769
4	Stripper	241 612	13	Spacer slide	264 669
5	Spacer slide	240 104	14	Roller	264 624
6	Ring on the right	255 831	500	Dowel pin 6x32	020 685
7	Roller	206 770	501	Setscrew M8x16	258 910



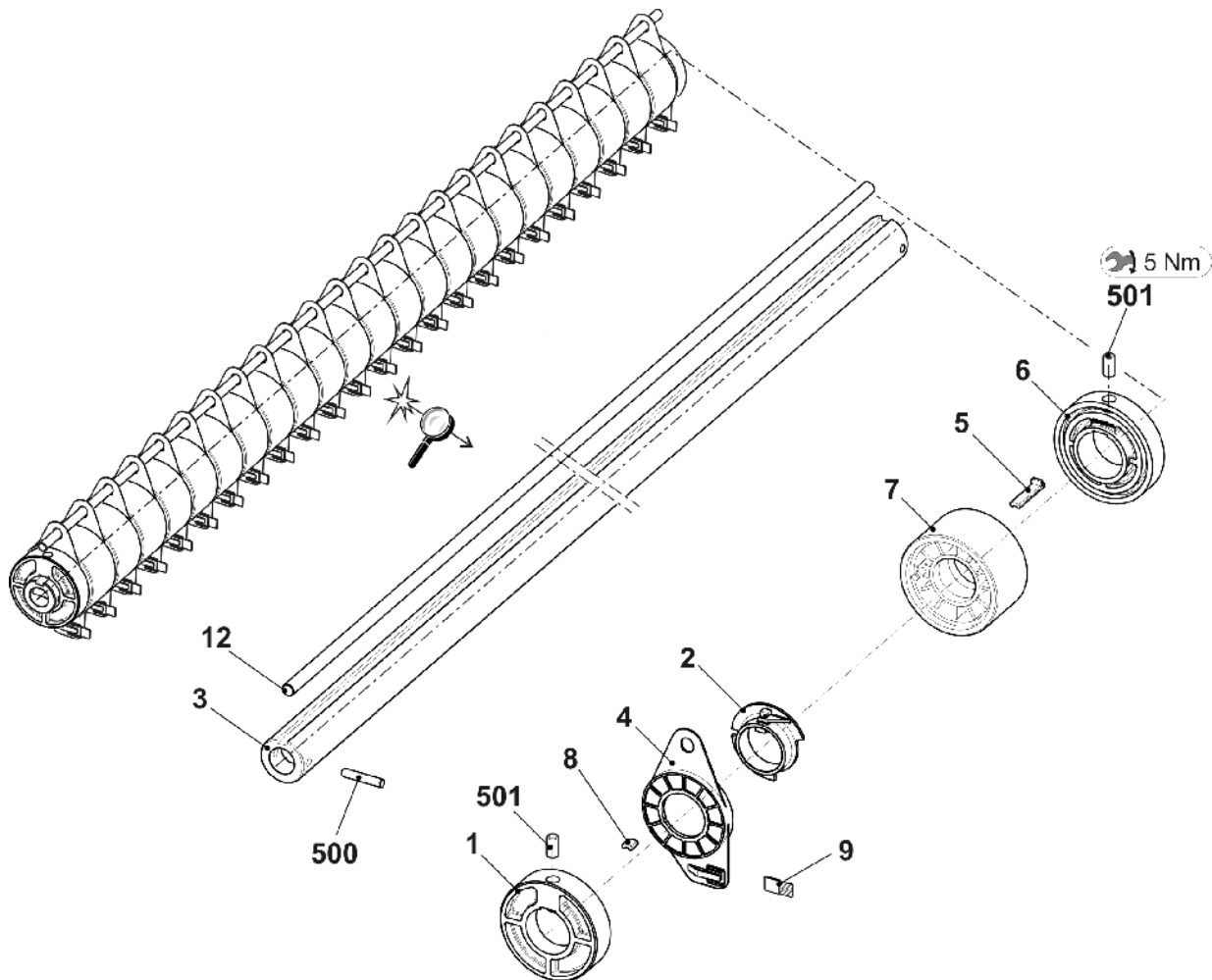
6.9 Main take-down in the middle E16 | E18 | E8.2

Pos	Designation	ID	Pos	Designation	ID
Σ	Main take-down in the middle E16-18	267 686	7	Connecting rod	256 998
1	Stripping angle at the rear complete	265 733	500	Washer 6	022 431
2	Three phase servo motor of take-down	259 655	501	Cap screw M8x25	020 142
3	Take-down roller at the rear complete E16-18	257 109	502	Cap screw M6x12	020 134
4	Take-down roller at the front complete E5-14	251 681	30*	Sheet metal support on the left	251 766
5	Angle rail complete	251 550	31*	Sheet metal support on the right	251 765
6	Connection cable winding plate OKC5	267 012	530*	Cap screw M6x12	020 134



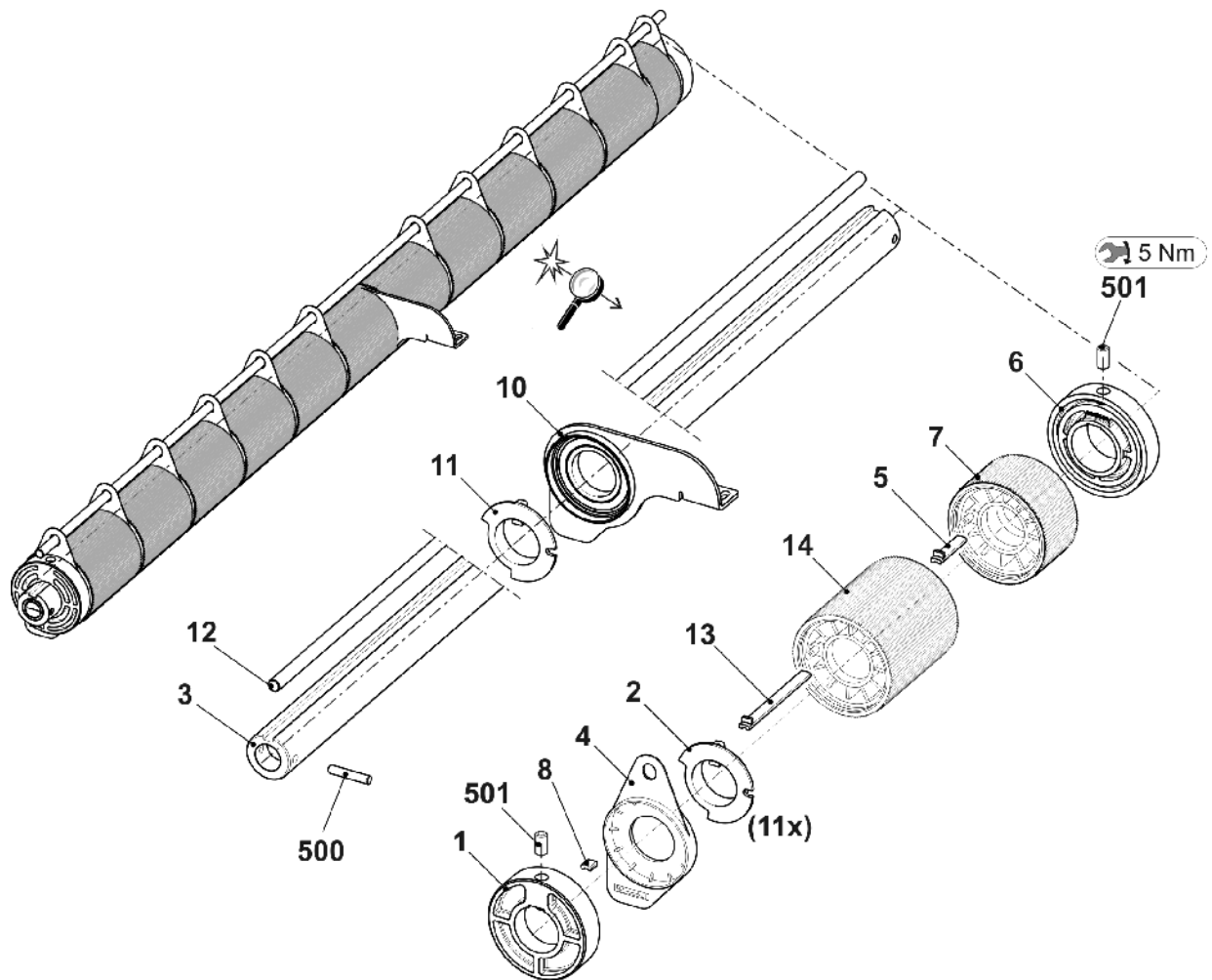
6.9.1 Rear take-down roller 16 | E18 | E8.2

Pos	Designation	Id	Pos	Designation	Id
Σ	Take-down roller at the rear complete E16-18	257 109			
1	Ring on the left	255 830	7	Roller	231 400
2	Stop ring on the left	204 369	8	Spacer slide	222 062
3	Shaft	251 682	9	Brush	225 819
4	Stripper	241 612	12	Rod	251 769
5	Spacer slide	240 104	500	Dowel pin 6x32	020 685
6	Ring on the right	255 831	501	Setscrew M8x16	258 910



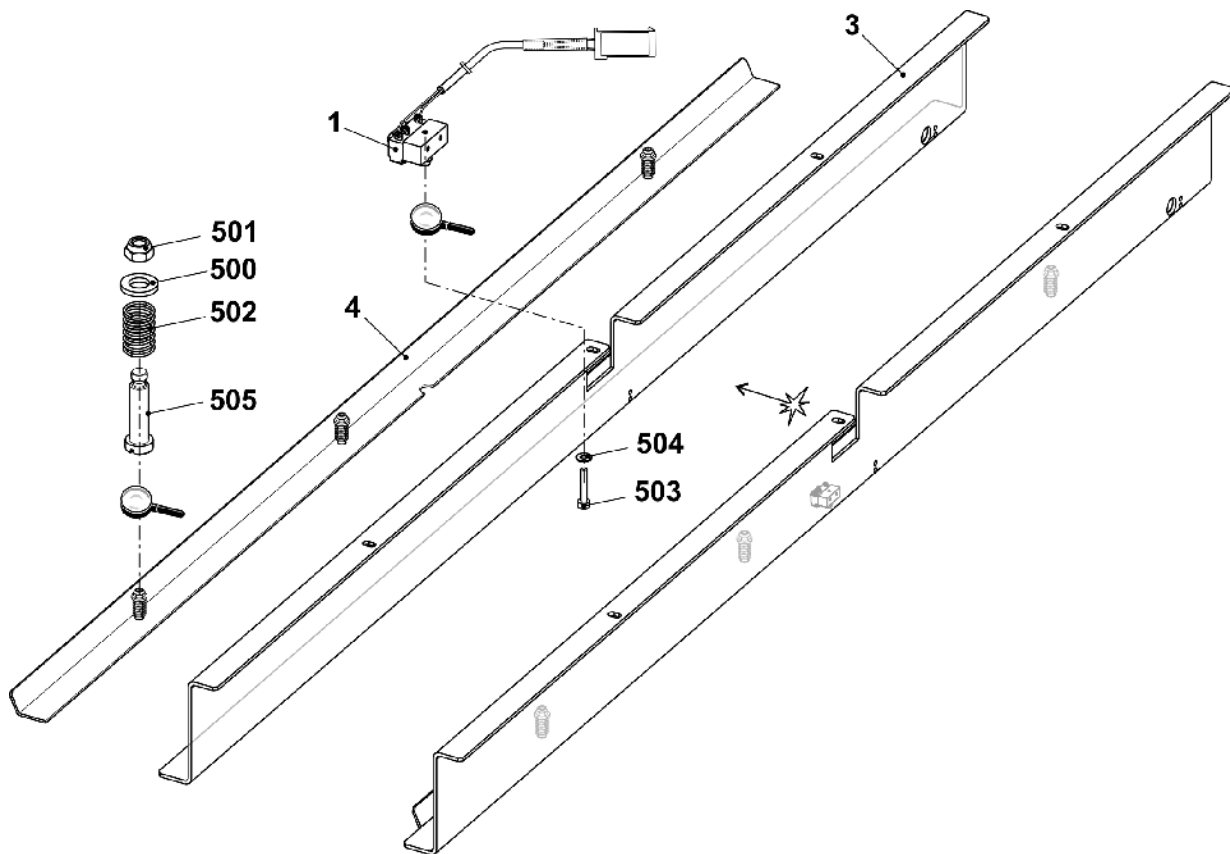
6.10 Front take-down roller

Pos	Designation	Id	Pos	Designation	Id
Σ	Take-down roller at the front complete	251 681	8	Spacer slide	222 062
1	Ring on the left	255 830	10	Support	252 506
2	Stop ring on the left	204 369	11	Stop ring on the left	222 910
3	Shaft	251 680	12	Rod	251 769
4	Stripper	241 612	13	Spacer slide	264 669
5	Spacer slide	240 104	14	Roller	264 624
6	Ring on the right	255 831	500	Dowel pin 6x32	020 685
7	Roller	206 770	501	Setscrew M8x16	258 910

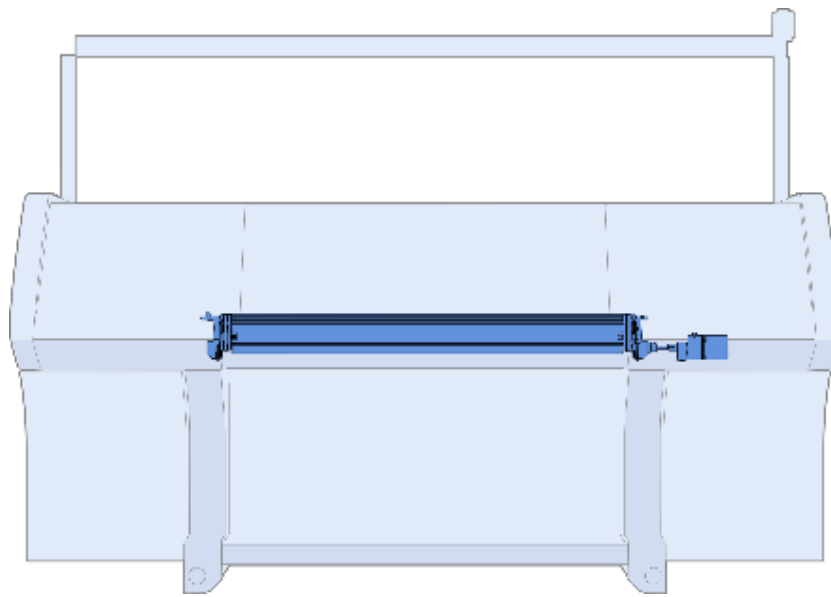


6.11 Angle rail

Pos	Designation	Id	Pos	Designation	Id
Σ	Angle rail complete	251 550	501	Hexagon nut M5-8	023 541
1	Switch complete (with cable)	221 265	502	Compression spring 0,8x9,2x27,5	023 537
3	Angle rail	251 548	503	Cap screw M2x12	023 522
4	Winding plate	251 549	504	Washer 2	022 908
500	Washer 6	022 431	505	Shoulder screw M5x20x5	023 675

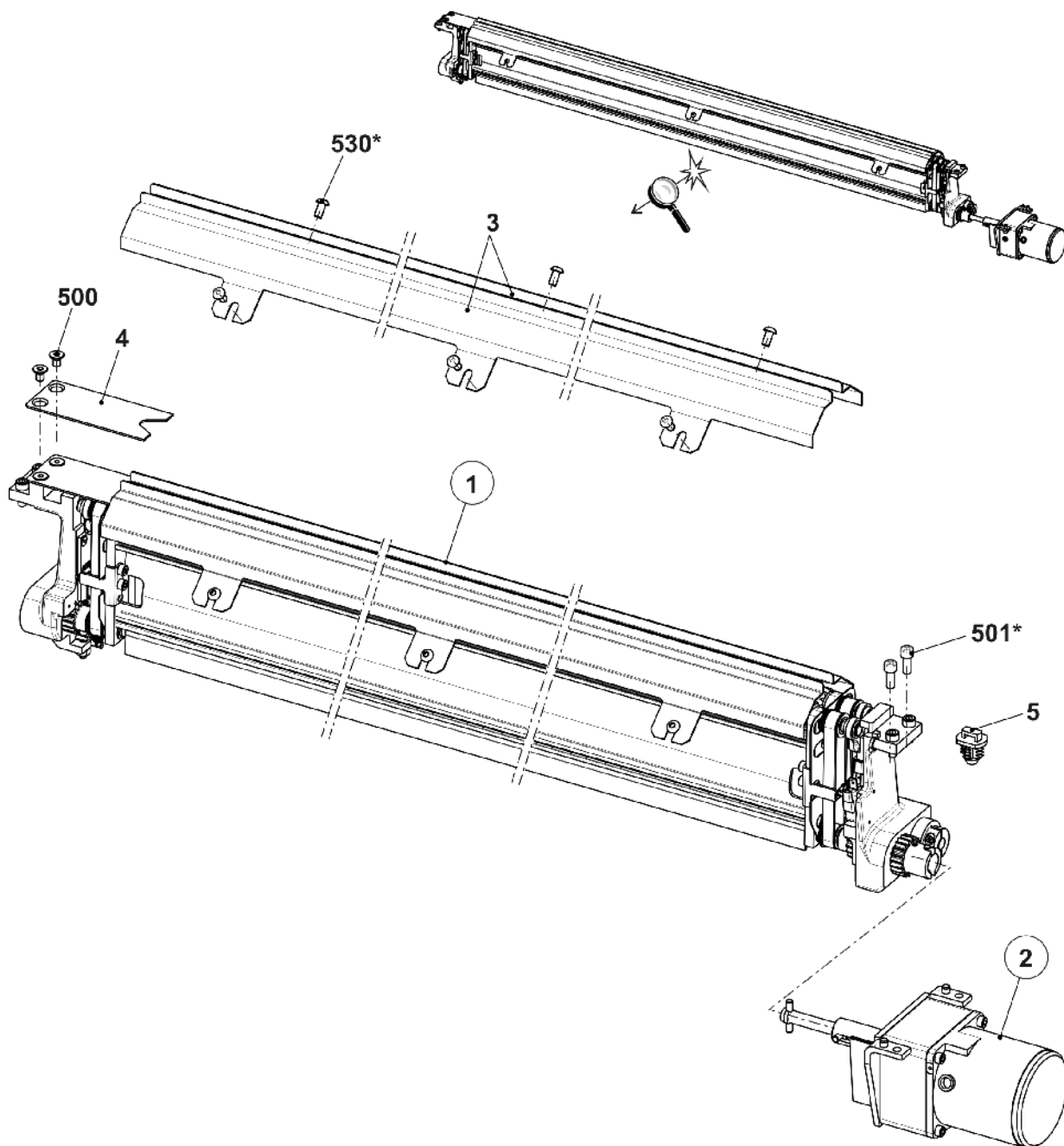


7 Auxiliary Take-down



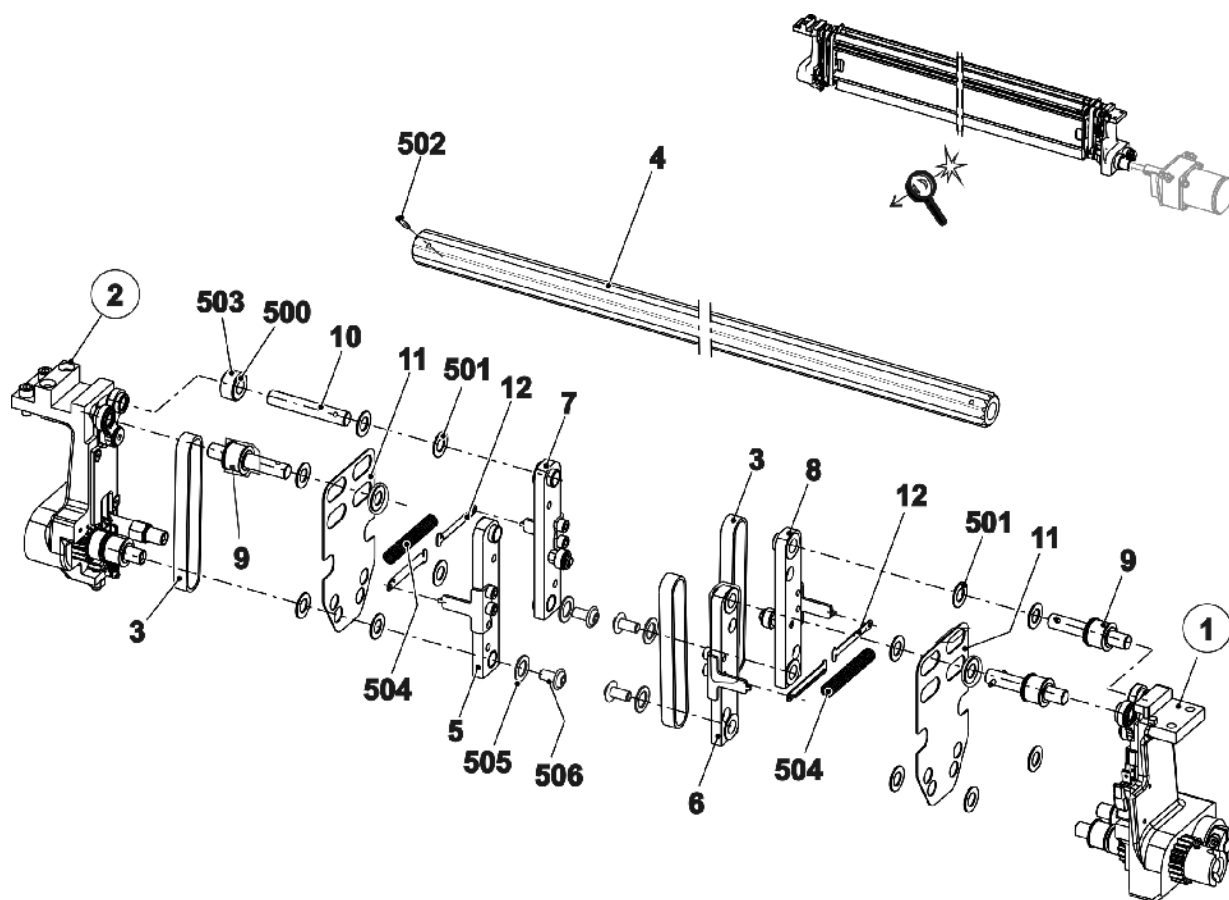
7.1 Auxiliary Take-down

Pos	Designation	Id. no.	Pos	Designation	Id. no.
1	Auxiliary take-down pre-assembled 45"	267 911	5	Assembling element	209 543
2	Take-down motor complete auxiliary take-down	265 820	500	Countersunk screw M6x10	023 016
3	Sheet metal guide	256 880	501*	Cap screw M6x16	020 135
4	Cover on the left	257 470	530*	Pan head screw M6x12	235 935



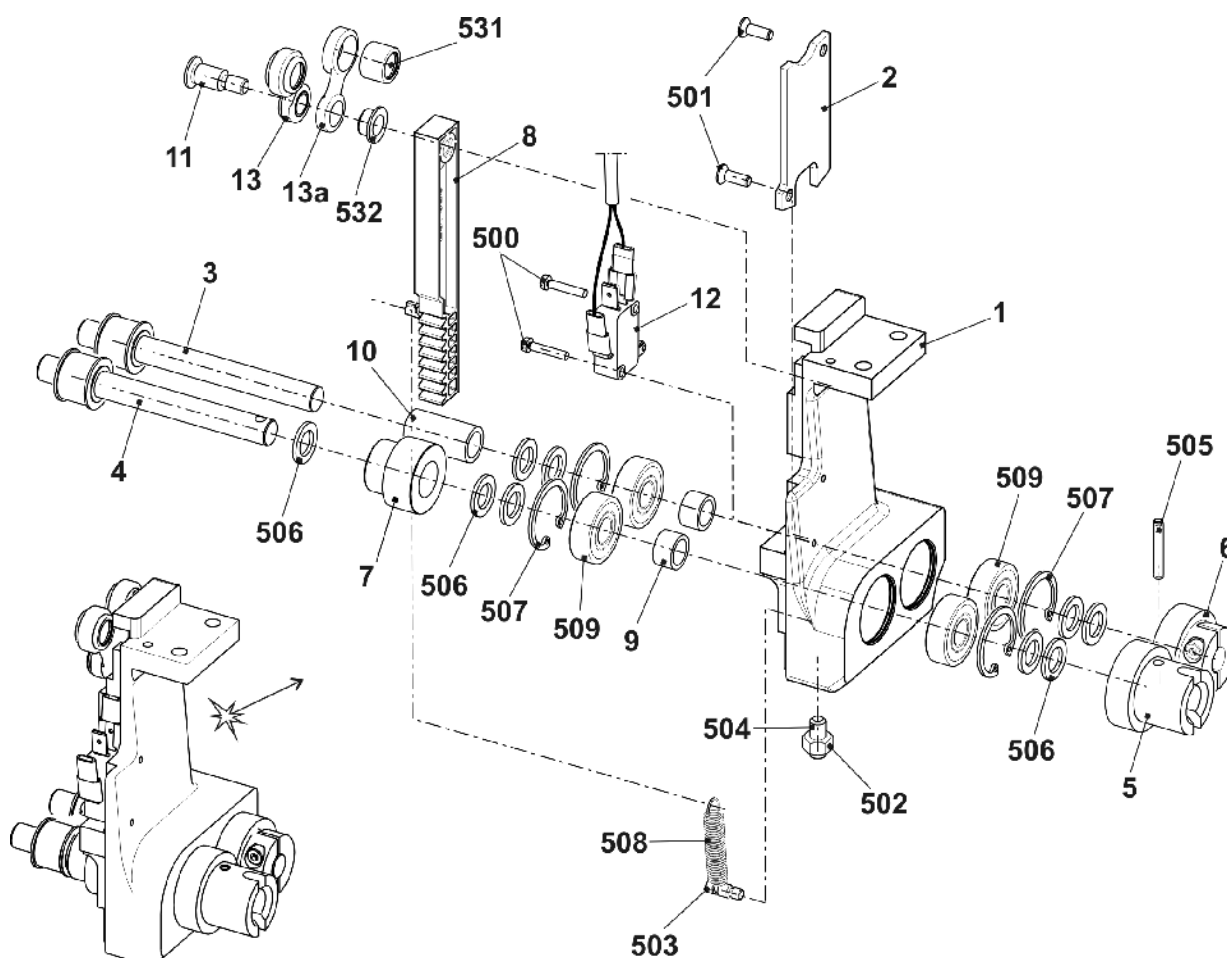
7.2 Auxiliary take-down pre-assembled

Pos	Designation	Id	Pos	Designation	Id
Σ	Auxiliary take-down pre-assembled	268 627	10	Bolts	227 914
1	Bearing on the right complete	268 631	11	Protective plate	264 958
2	Bearing on the left complete	268 632	12	Support spring	264 961
3	Toothed belt 10T5/260	208 832	500	Set collar	020 934
4	Take-down roller	256 879	501	Stop disk	023 646
5	Lever at the front on the left	264 036	502	Spring dowel sleeve 3x20	020 776
6	Lever at the front on the right	264 035	503	Setscrew M5x6	023 391
7	Lever at the rear on the left	264 034	504	Compression spring 1,0x8x59	264 966
8	Lever at the rear on the right	264 033	505	Shim ring 10x16x1	023 260
9	Timing belt pulley complete	226 708	506	Pan head screw M6x12	259 811



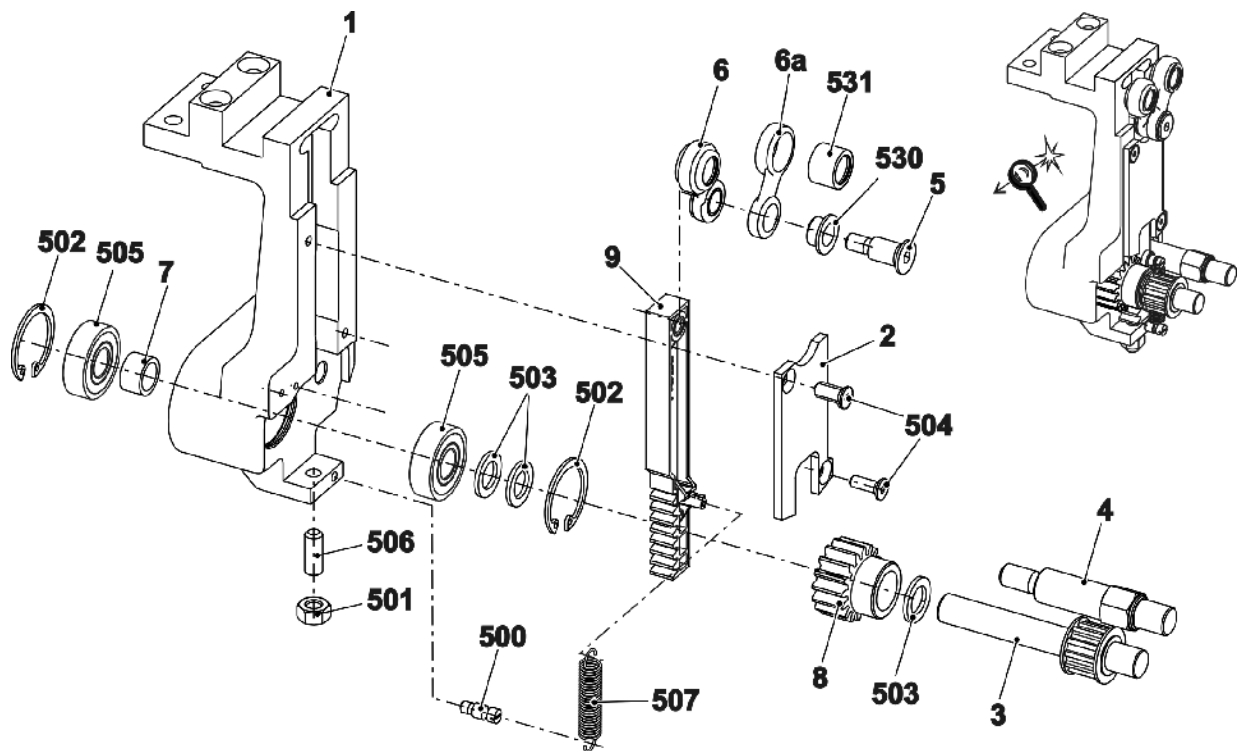
7.2.1 Right bearing of the auxiliary take-down

Pos	Designation	Id	Pos	Designation	Id
Σ	Bearing on the right complete	268 631			
1	Bearing block on the right	258 913	13a	Connecting rod	255 696
2	Cover	257 466	531	Needle roller bearing HK1010	023 664
3	Drive shaft complete	268 611	532	Slide bearing GFM-081014-06	023 358
4	Drive shaft complete	268 610	500	Cap screw M3x16	022 560
5	Gear wheel M=1,5, Z=20	213 880	501	Countersunk head screw M4x12	023 062
6	Gear wheel M=1,5, Z=20	210 504	502	Hexagon nut M6-6	020 836
7	Gear wheel on the right complete	218 524	503	Shoulder screw M4x9x14	020 602
8	Gear rack on the right	253 487	504	Setscrew M6x16-45	023 092
9	Threaded spacer	229 683	505	Spiral pin 4x24	023 544
10	Sleeve	227 257	506	Shim ring 10x16x1,5	023 261
11	Collar bolt	210 551	507	Retaining ring 26x1,2	023 359
12	Cable with switch auxiliary take-down okc	243 142	508	Tension spring 7,5x0,7x28	023 595
13	Connecting rod complete	226 710	509	Grooved ball bearing 6000-2Z	022 599



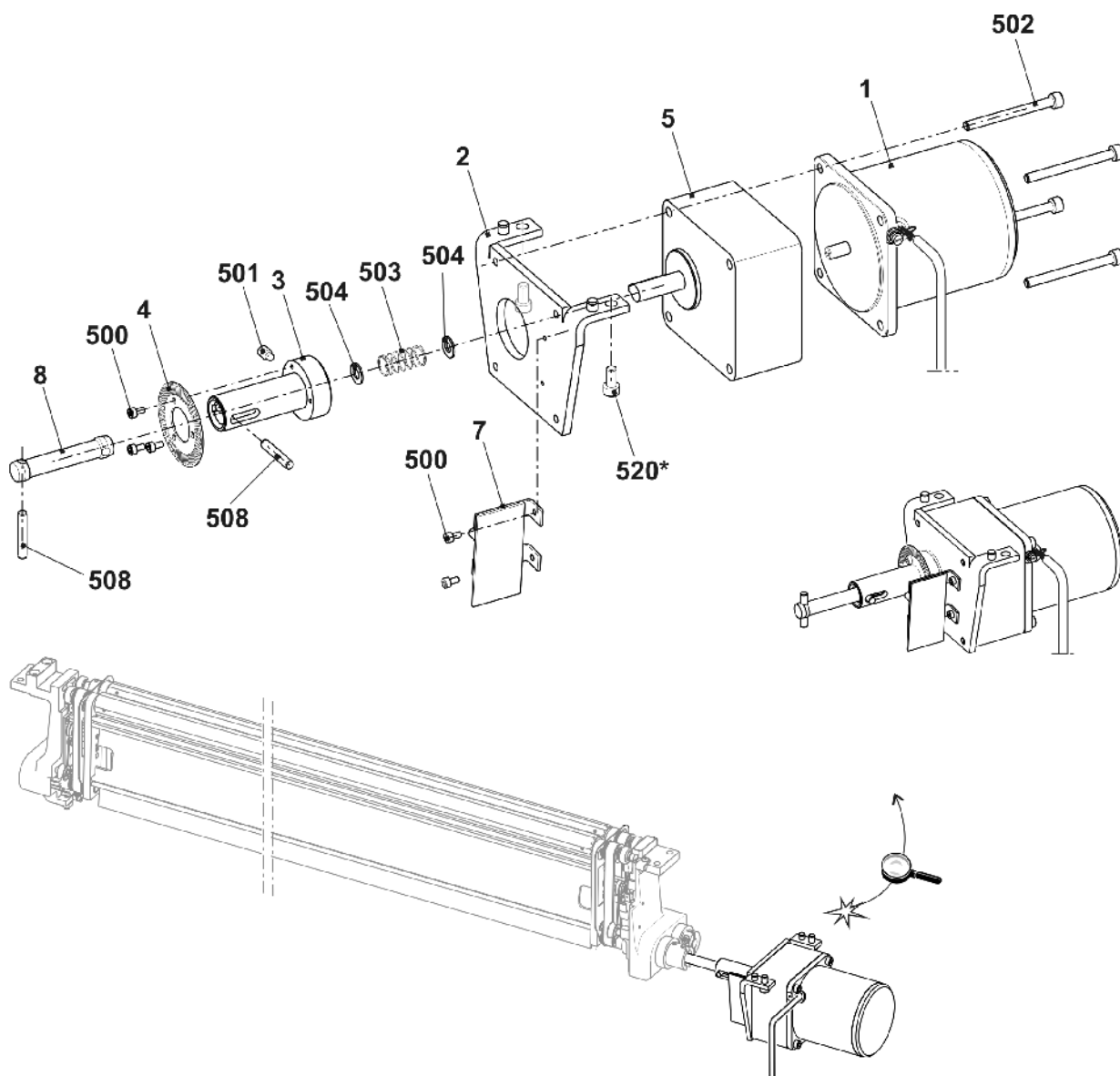
7.2.2 Left bearing of the auxiliary take-down

Pos	Designation	Id	Pos	Designation	Id
Σ	Bearing on the left	268 632			
1	Bearing block on the left	258 914	8	Gear wheel on the left complete	218 523
2	Cover	257 466	9	Gear rack on the left	253 488
3	Drive shaft complete	268 612	500	Shoulder screw M4x9x14	020 602
4	Bolts	268 609	501	Hexagon nut M6-6	020 836
5	Collar bolt	210 551	502	Retaining ring 26x1,2	023 359
6	Connecting rod complete	226 710	503	Shim ring 10x16x1,5	023 261
	6a Connecting rod	255 696	504	Countersunk head screw M4x12	023 062
	530 Slide bearing GFM-081014-06	023 358	505	Grooved ball bearing 6000-2Z	022 599
	531 Needle roller bearing HK1010	023 664	506	Setscrew M6x16-45	023 092
7	Threaded spacer	229 683	507	Tension spring 7,5x0,7x28	023 595



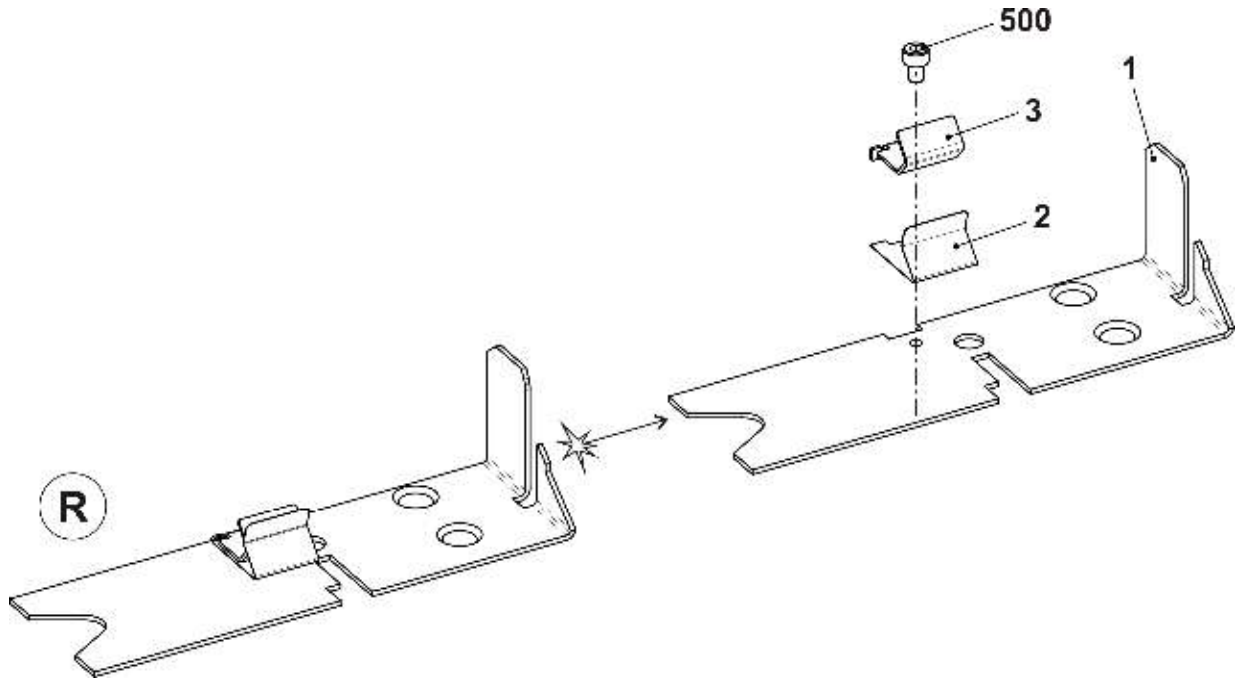
7.3 Motor

Pos	Designation	Id	Pos	Designation	Id
Σ	Motor auxiliary take-down complete	265 820			
1	Motor auxiliary take-down	266 528	500	Cap screw M3x6	022 589
2	Motor bracket	218 040	501	Setscrew M6x10	023 543
3	Drive sleeve	219 024	502	Cap screw M5x55	023 321
4	Impulse disc	218 449	503	Compression spring 0,63x10,97x40	023 500
5	Gear unit 4GN36K	220 353	504	Shim ring 6x12x1	023 444
7	Light barrier Auxiliary take-down	217 462	508	Dowel pin5x28	241 686
8	Shaft	219 025	520*	Cap screw M6x12	020 134

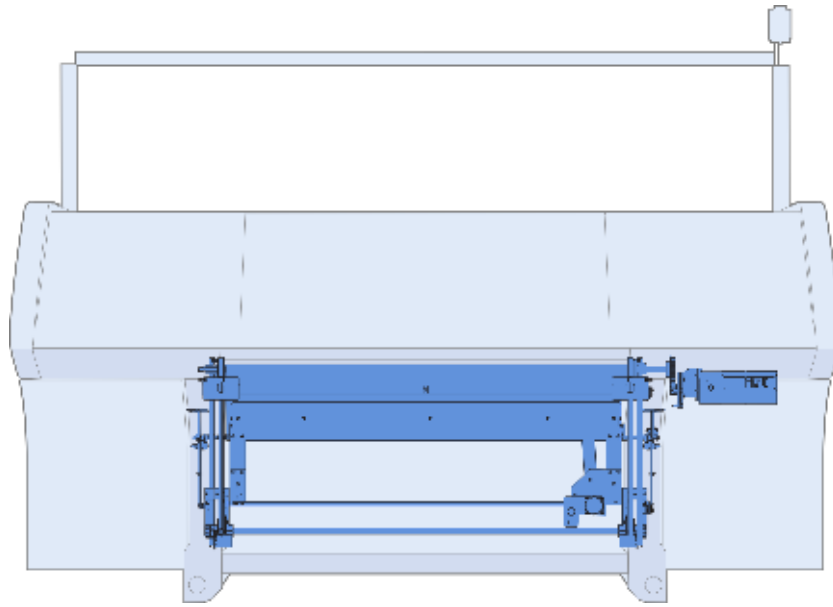


7.4 Yarn brake at clamping and cutting bed

Pos	Designation	Id	Pos	Designation	Id
Σ R	Yarn brake on the right	256 715			
1	Leaf spring	256 712	3	Cover on the right	256 714
2	Test clamping plate	256 713	500	Cap screw M4x6	023 067

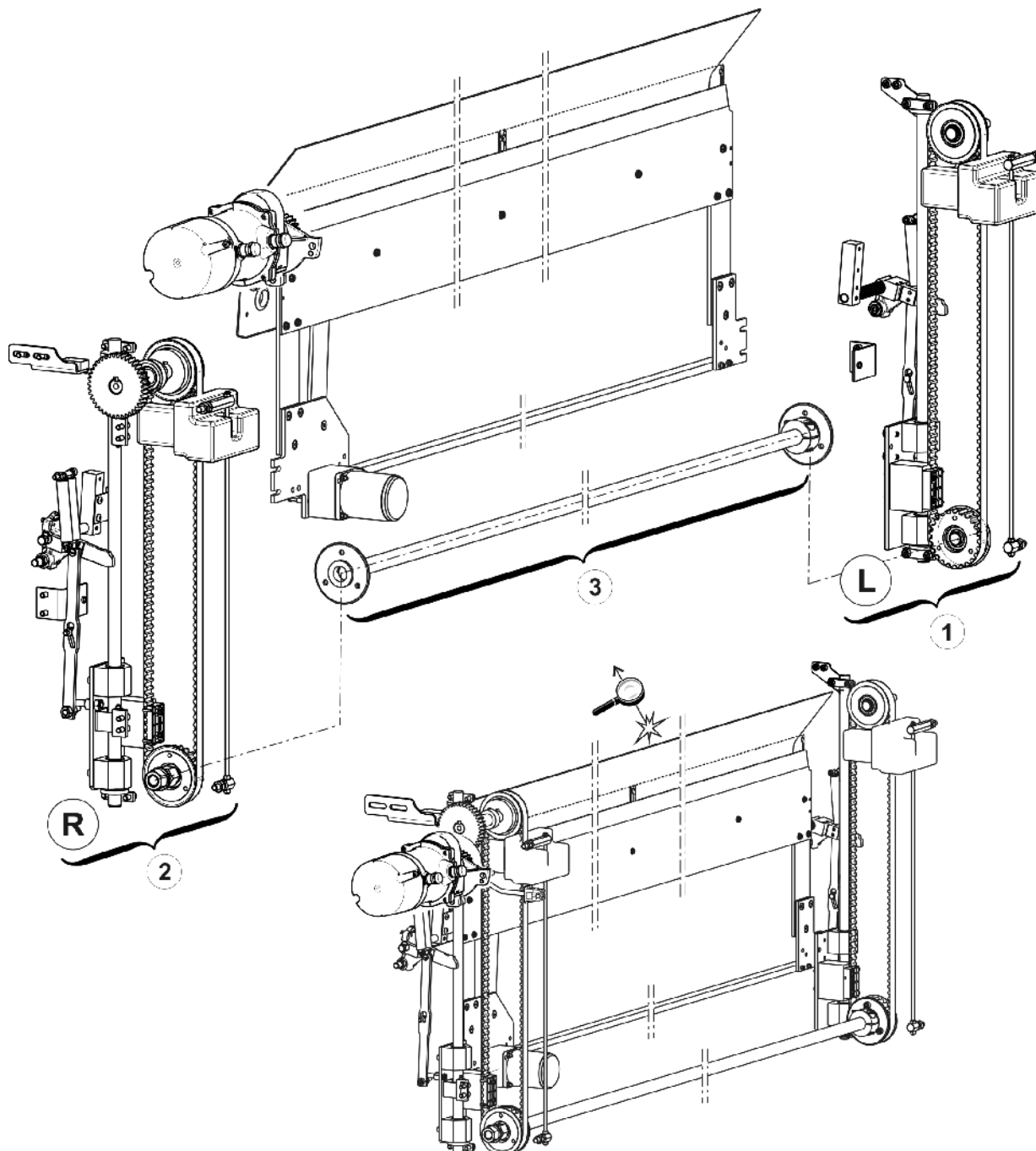


8 Comb Take-down



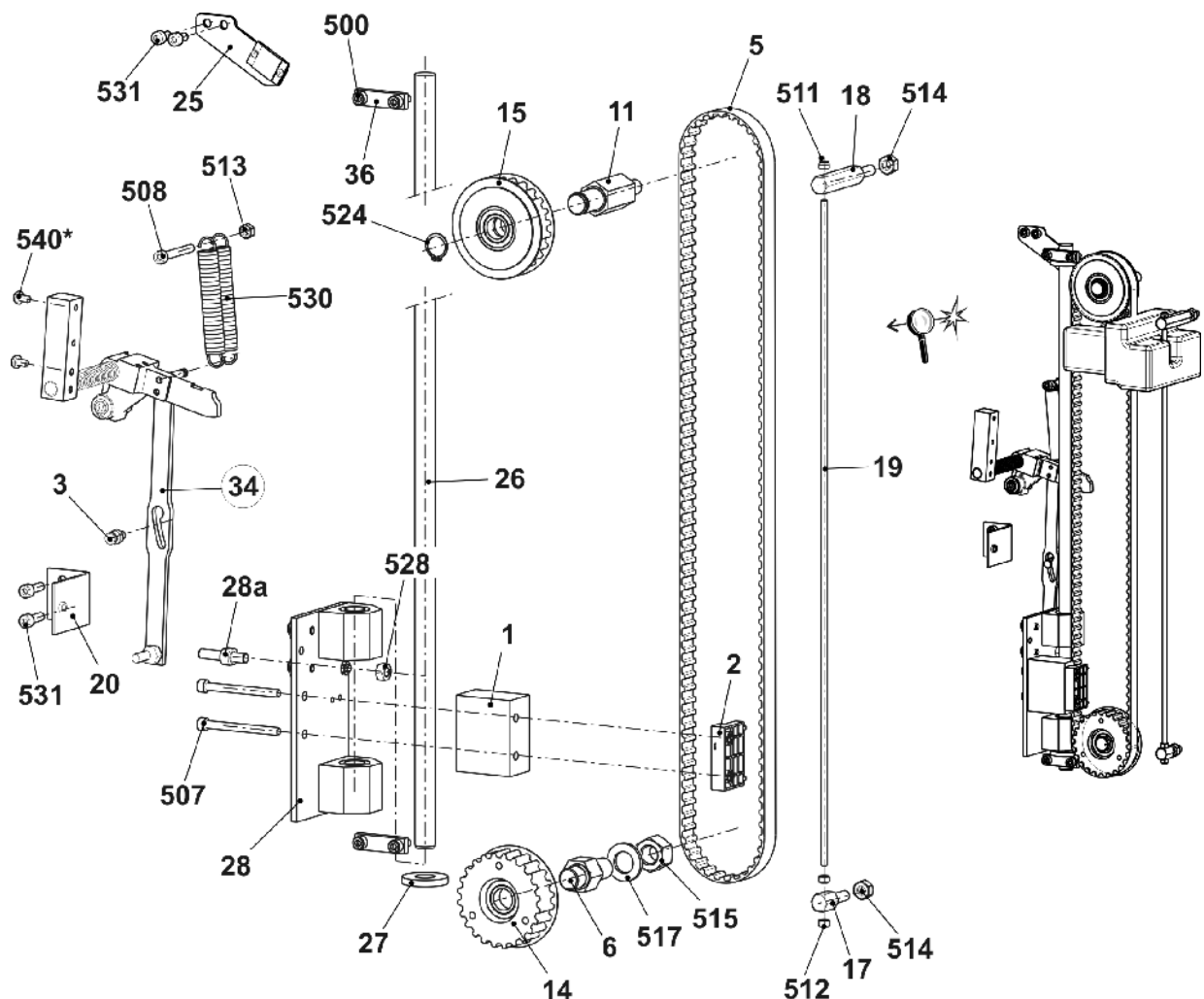
8.1 Comb Take-down

Pos	Designation	Id	Pos	Designation	Id
Σ	Comb take-down				
1	Comb take-down on the left	268 589	3	E12 E6.2 E6.2(12m.10)	267 689
2	Comb take-down on the right	268 590		E14 E7.2 E7.2(14/12)	267 681
3	Comb take-down in the middle			E16 E8.2	267 691
	E10	267 687		E18	267 694



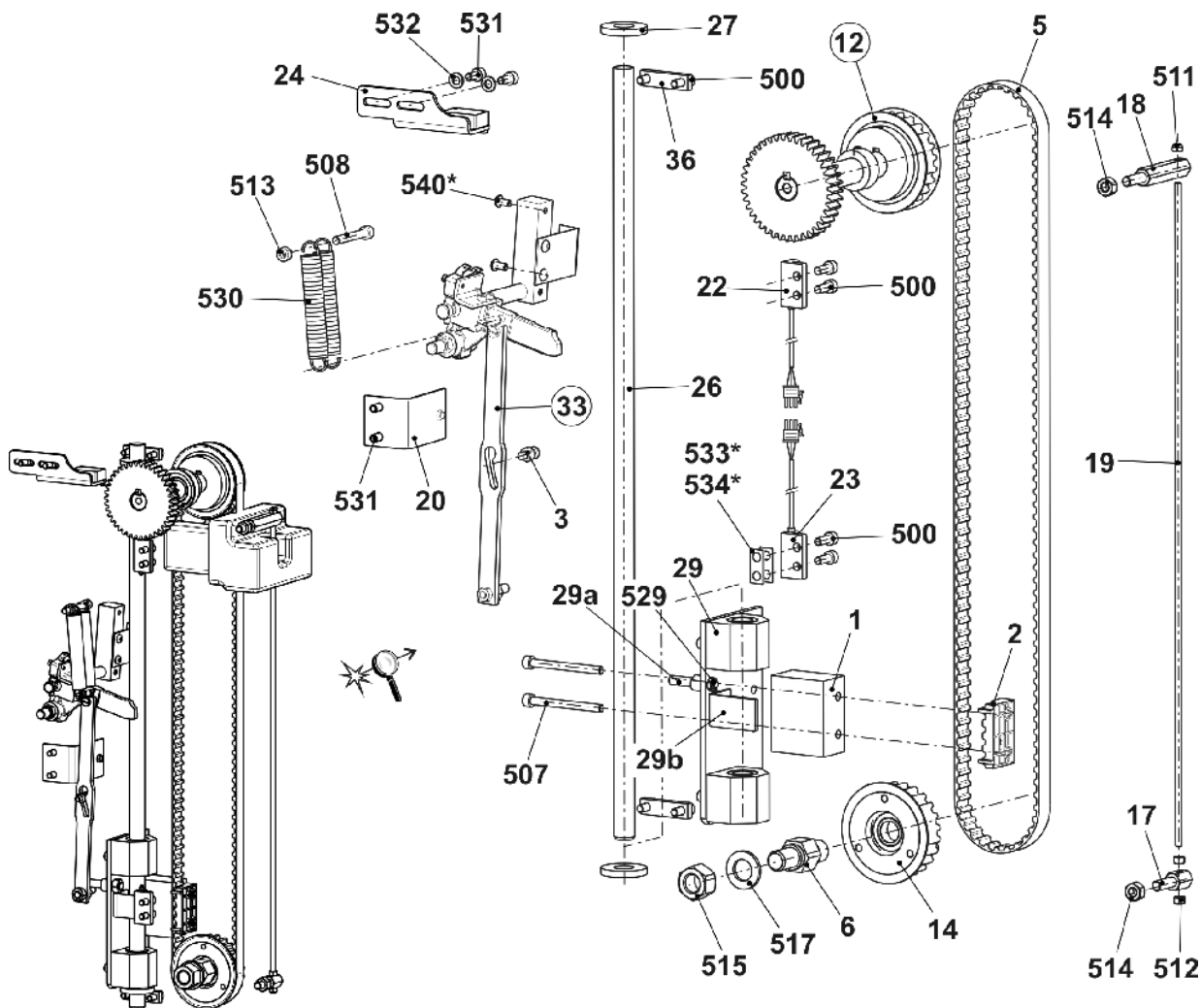
8.2 Comb take-down on the left

Pos	Designation	Id	Pos	Designation	Id
Σ	Comb take-down on the left	268 589			
1	Clamping piece	209 379	28a	Driving bolt	255 427
2	Pressure plate	241 967	528	Hexagon nut M8-6	020 838
3	Bolts	222 152	34	Swivel lever on the left	252 859
5	Toothed belt 16T10/1300	240 065	36	Clamping plate	227 159
6	Eccentric pin	222 320	500	Cap screw M6x16	020 135
11	Bolts	207 689	507	Cap screw M6x65	240 162
14	Toothed lock washer at the bottom complete	211 822	508	Cap screw M6x45	022 689
15	Toothed lock washer at the top complete	211 823	511	Hexagon nut M5-8	023 541
17	Stay bolt	222 315	512	Hexagon nut M5-6	020 835
18	Stay bolt	240 056	513	Hexagon nut M6-6	020 836
19	Threaded rod M5	240 057	514	Hexagon nut M8-6	020 838
20	Holding angle	242 487	515	Hexagon nut M16-6	020 845
25	Reflector complete	256 826	517	Washer 16	020 876
26	Guide bar C35	206 560	524	Retaining ring 17x1	023 299
27	Rubber buffer	206 561	530	Tension spring Din2097 15x1,50x70,94	251 614
28	Comb guide on the left	255 425	531	Cap screw M6x12	020 134
			540*	Pan head screw M5x10	023 247



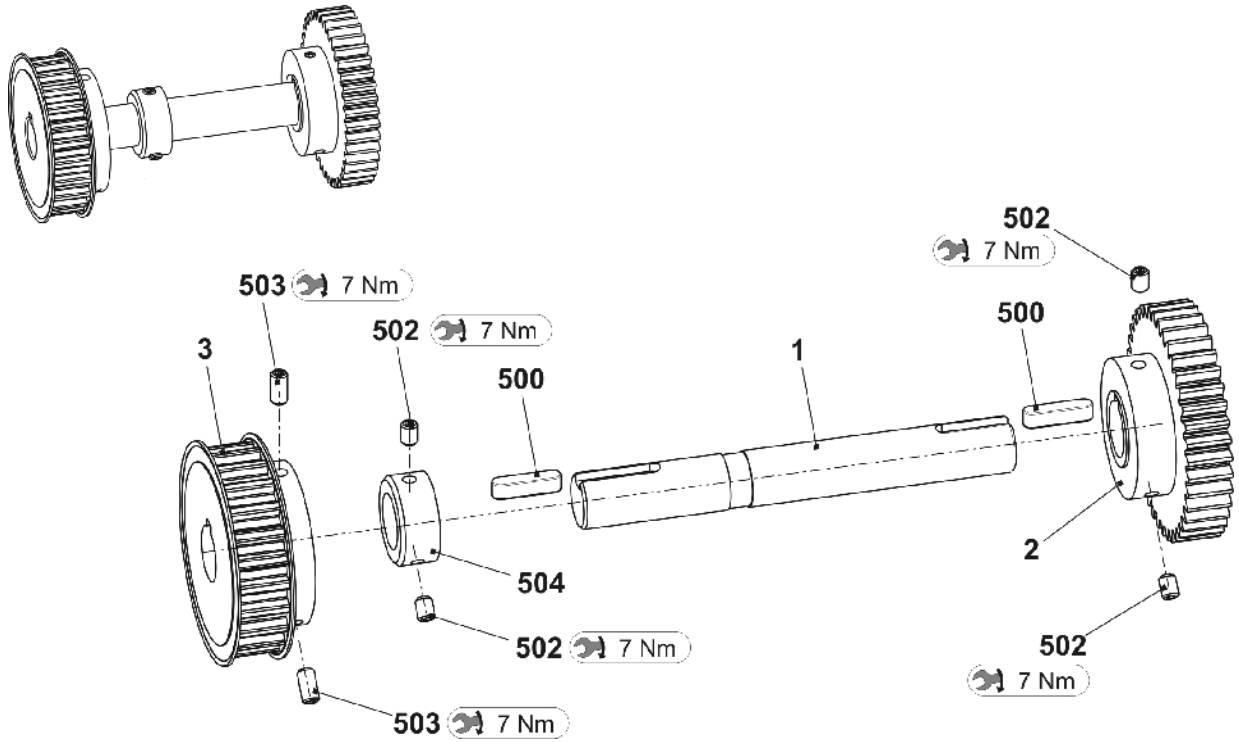
8.3 Comb take-down on the right

Pos	Designation	Id	Pos	Designation	Id
Σ	Comb take-down on the right	268 590		29b Angle	240 112
1	Clamping piece	209 379		529 Hexagon nut M8-6	020 838
2	Pressure plate	241 967	33	Swivel lever on the right	252 858
3	Bolts	222 152	36	Clamping plate	227 159
5	Toothed belt 16T10/1300	240 065	500	Cap screw M6x16	020 135
6	Eccentric pin	222 320	507	Cap screw M6x65	240 162
12	Drive shaft comb complete	214 583	508	Cap screw M6x45	022 689
14	Toothed lock washer at the bottom complete	211 822	511	Hexagon nut M5-8	023 541
17	Stay bolt	222 315	512	Hexagon nut M5-6	020 835
18	Stay bolt	240 056	513	Hexagon nut M6-6	020 836
19	Threaded rod M5	240 057	514	Hexagon nut M8-6	020 838
22	Proximity switch inductive at the top	231 516	515	Hexagon nut M16-6	020 845
20	Holding angle	242487	517	Washer 16	020 876
23	Proximity switch inductive at the bottom	231 520	530	Tension spring 15x1,50x70,94	251 614
24	Light barrier complete	256 825	531	Cap screw M6x12	020 134
26	Guide bar C35	206 560	532	Washer 6	020 872
27	Rubber buffer	206 561	533*	Shim0,2x12x27	023 735
29	Comb guide on the right	255 424	534*	Shim0,5x12x27	023 736
29a	Driving bolt	255 427	540*	Pan head screw M5x10	023 247



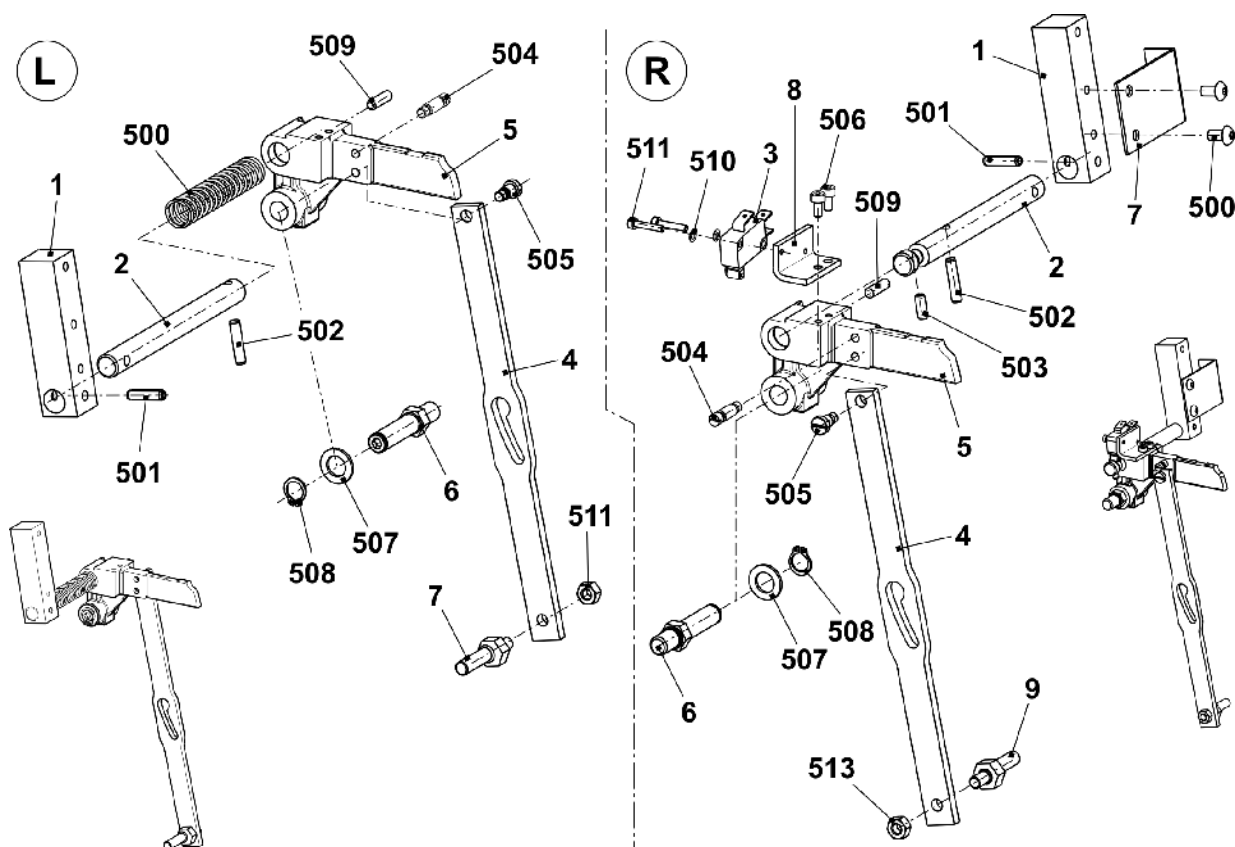
8.3.1 Drive shaft of comb

Pos	Designation	Id	Pos	Designation	Id
Σ	Drive shaft comb complete	214 583			
1	Shaft	213 969	500	Feather key A 6x6x25	023 017
2	Gear wheel Z=40, M=2	213 744	502	Setscrew M6x8	022 684
	Always order position 502 additionally		503	Setscrew M6x12	023 898
3	Toothed belt pulley at the top	206 394	504	Set collar	020 938
	Always order position 503 additionally				



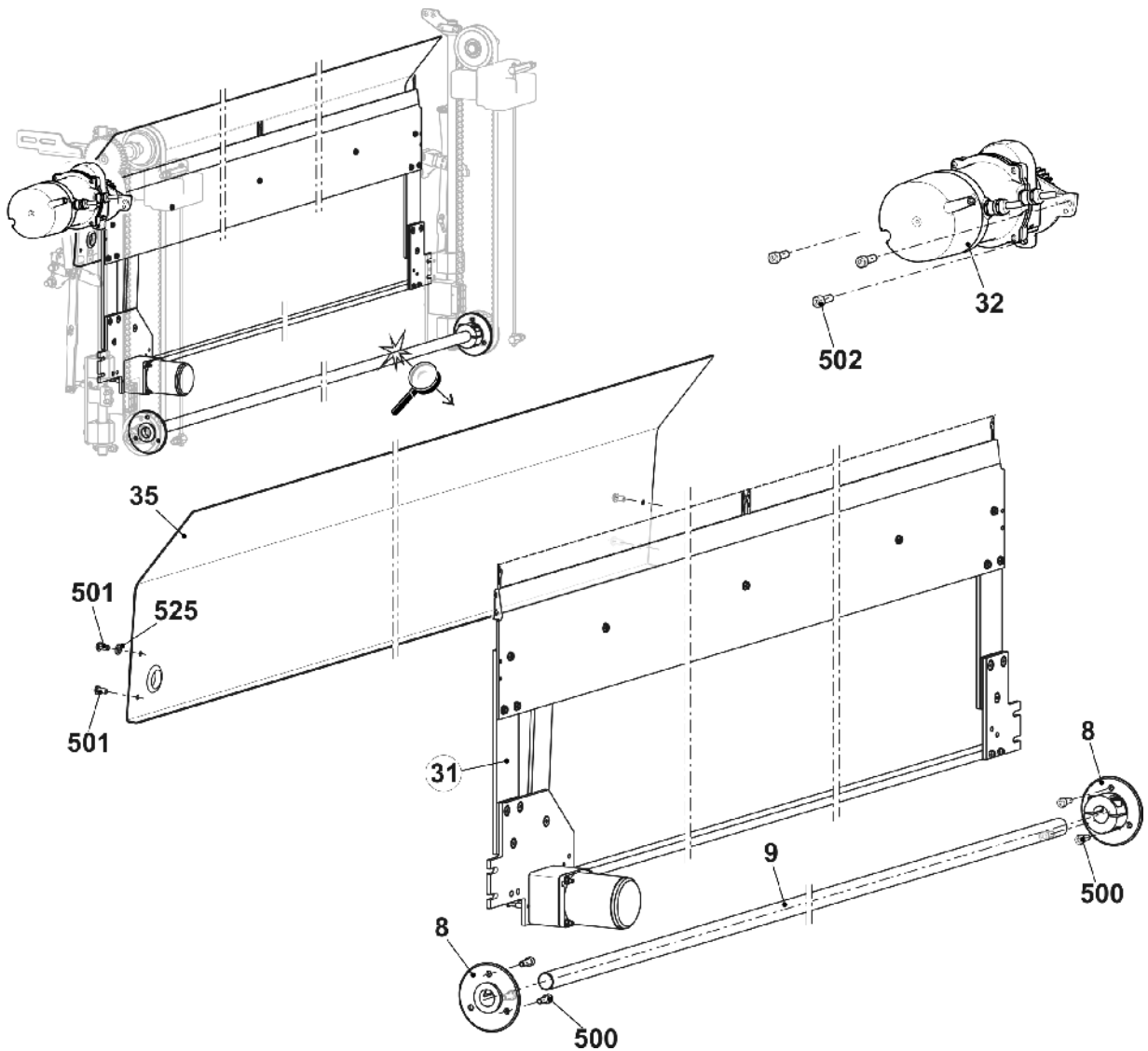
8.3.2 Swivel lever comb take-down

Pos	Designation	Id. no.	Pos	Designation	Id. no.
Σ L	Swivel lever on the left	252 859	3	Microswitch	026 259
1	Support	252 780	4	Plunger	255 650
2	Shaft	223 994	5	Swivel lever	239 248
4	Plunger	255 650	6	Bolts	214 053
5	Swivel lever	239 248	7	Angle	224 009
6	Bolts	214 053	8	Angle	238 304
7	Eccentric bolt	255 651	9	Eccentric bolt	255 651
500	Compression spring 1,4x13,6x93	023 572	500	Pan-head screw M5x10	023 247
501	Spring dowel sleeve Iso8752-5x20	020 794	501	Spring dowel sleeve 5x20	020 794
502	Dowel pin5x22	023 716	502	Dowel pin5x22	023 716
504	Shoulder screwM5x29x35	251 618	503	Spring dowel sleeve 5x12	020 793
505	Shoulder screw M5x5,8x6,2	023 365	504	Shoulder screwM5x29x35	251 618
507	Washer 10	020 884	505	Shoulder screw M5X5,8X6,2	023 365
508	Retaining ring	020 950	506	Cap screw M4x8	022 501
509	Shoulder screw M5x12x18	020 539	507	Washer 10	020 884
511	Hexagon nut M8-6	020 838	508	Retaining ring10x1	020 950
Σ R	Swivel lever on the right	252 858	509	Shoulder screwM5X12X18	020 539
1	Support	252 780	510	Cap screw M3x16	022 583
2	Shaft	238 339	511	Washer 3	020 877
			513	Hexagon nut M8-6	020 838



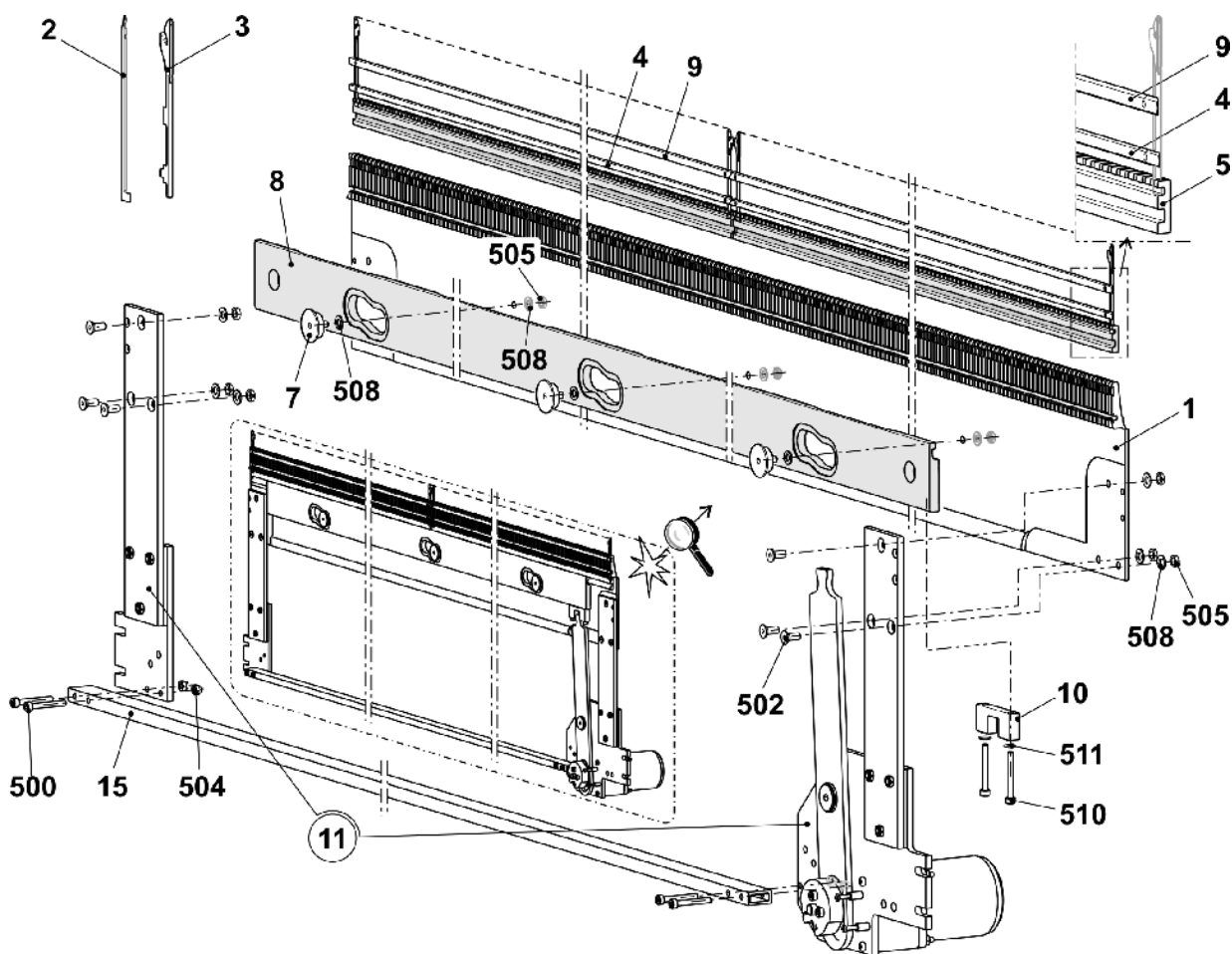
8.4 Comb take-down in the middle

Pos	Designation	ID	Pos	Designation	ID
Σ	Comb take-down in the middle		31	Comb unit	
	E10	267 687		E10	267 688
	E12 E6.2 E6.2(12m.10)	267 689		E12 E6.2 E6.2(12m.10)	267 690
	E14 E7.2 E7.2(14/12)	267 681		E14 E7.2 E7.2(14/12)	267 680
	E16 E8.2	267 691		E16 E8.2	267 693
	E18	267 694		E18	267 695
8	Flange	207 695	32	Three phase servo motor of take-down	259 655
9	Shaft long	251700	35	Marking plate	259 238
500	Cap screw M6x16	020 135	502	Cap screw M8x25	020 142
501	Pan head screw M5x10	023 247	525	Serrated lock washer J5,3	022 489



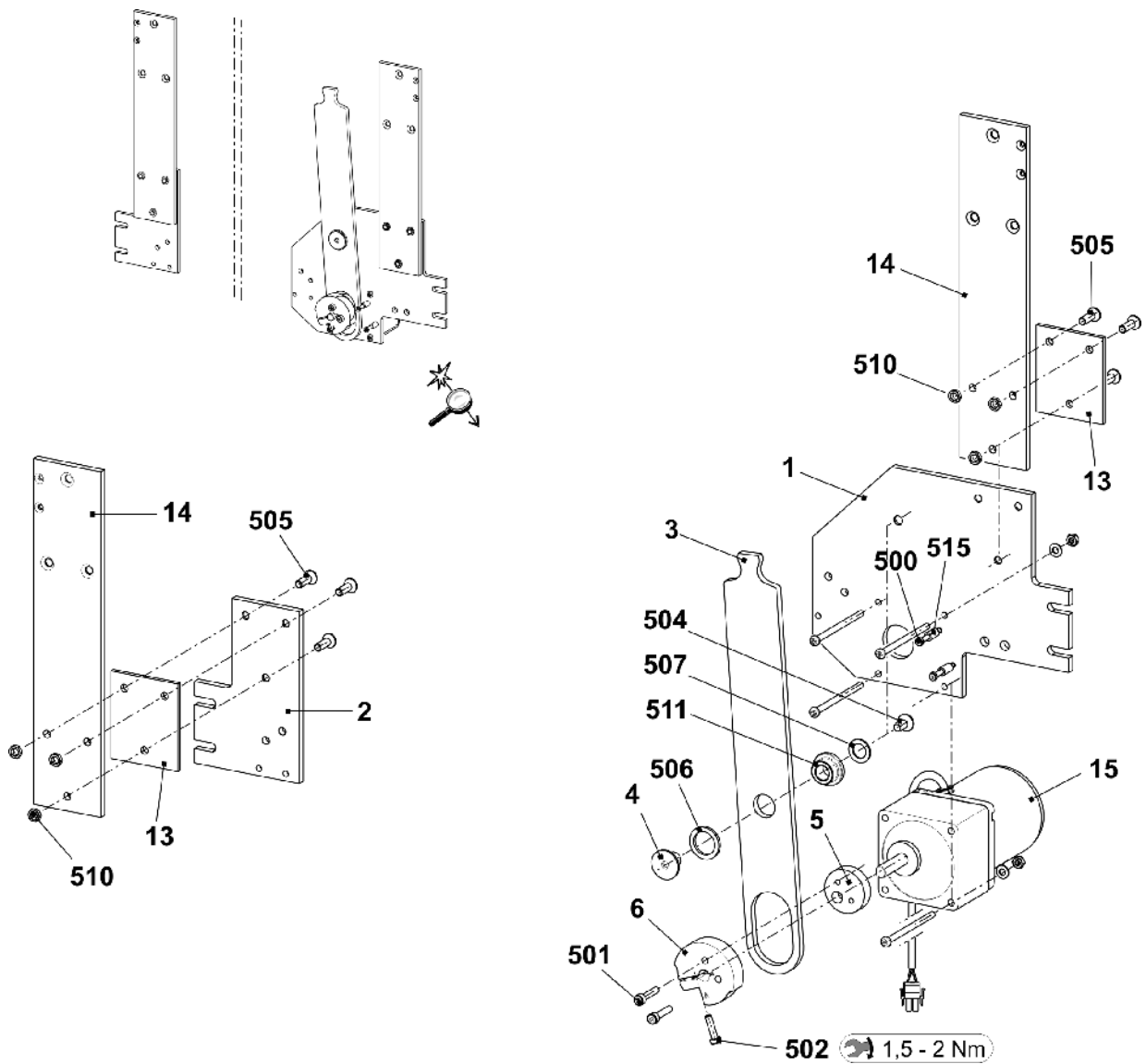
8.4.1 Comb unit

Pos	Designation	Id	Pos	Designation	Id
Σ	Comb unit		5	Hook slider	
	E10	267 688		E10	261 989
	E12 E6.2 E6.2(12m.10)	267 690		E12 E16 E6.2 8.2 E6.2(12m.10)	251 709
	E14 E7.2	267 680		E14 E7.2	251 708
	E16 E8.2	271 508		E18	257 016
	E18	271 509			
1	Hook bed		7	Collar bolt complete	211 036
	E10	265 410	8	Cross slider	251 701
	E12 E6.2 E6.2(12m.10)	265 411	9	Cover rail	251 702
	E14 E7.2	265 412	10	Plunger	205 678
	E16 E8.2	265 413	11	Switching lever complete	265 827
	E18	265 414	15	Stabilizer	251 697
2	Closer		500	Cap screw M4x12	022 664
	E10 E12 E14 E6.2 E7.2 E6.2(12m.10)	230 106	502	Countersunk head screw M5x12	023 340
	E16 E18 E8.2	268 833	504	Hexagon nut M4-8	023 046
3	Body		505	Hexagon nut M5-04	020 854
	E10 E12 E14 E6.2 E7.2 E6.2(12m.10)	230 094	508	Washer 5	020 871
	E16 E18 E8.2	268 832	510	Cap screw M4x35	023 550
4	Cover rail	251 696	511	Circlip	022 774

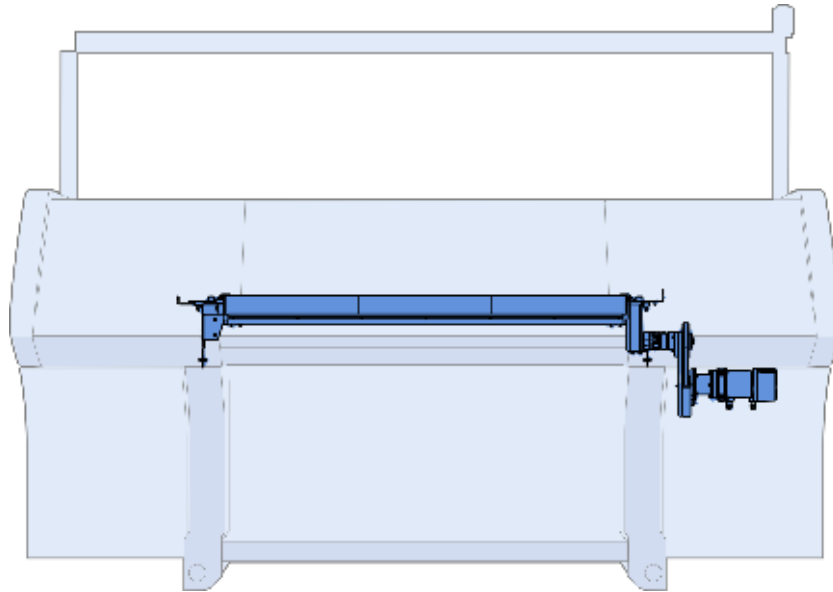


8.4.2 Switching lever comb take-down

Pos	Designation	Id	Pos	Designation	Id
Σ	Switching lever complete	265 827	500	Cap screw M3x25	023 093
1	Screw-on plate on the right	240 058	501	Cap screw M4x20	023 171
2	Screw-on plate on the left	240 059	502	Cap screw M4x16	023 123
3	Lever	215 228	504	Pan-head screw M6x12	023 435
4	Bearing bolt	215 675	505	Pan-head screw M5x16	023 417
5	Eccentric	205 681	506	Shim ring 16x22x2	023 449
6	Tension cam	215 287	507	Shim ring 10x16x1	023 260
13	Intermediate plate	213 980	510	Hexagon nut M5	020 854
14	Holding plate	218 977	511	Collar bearing 10x16x22	022 841
15	Motor comb hook with 2 phases	267 420	515	Threaded spacer	210 488

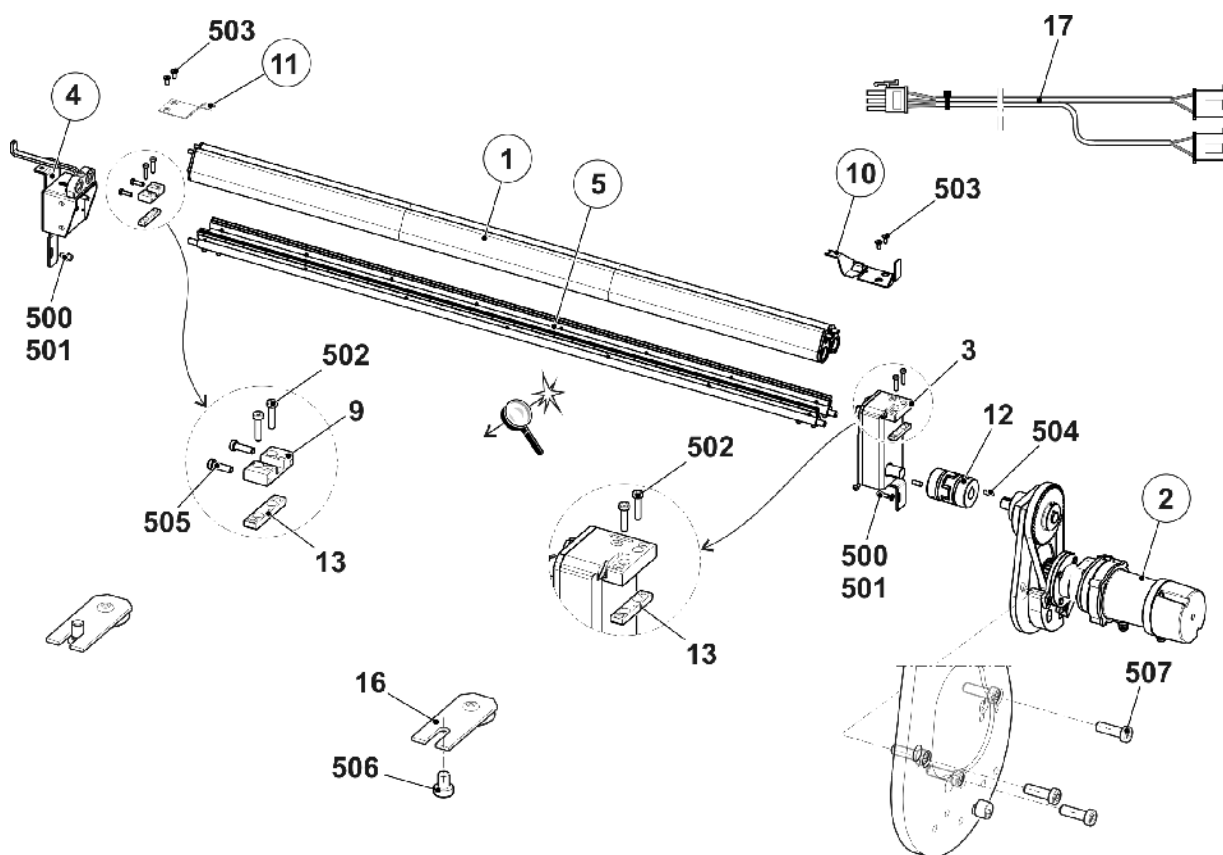


9 Belt Take-Down



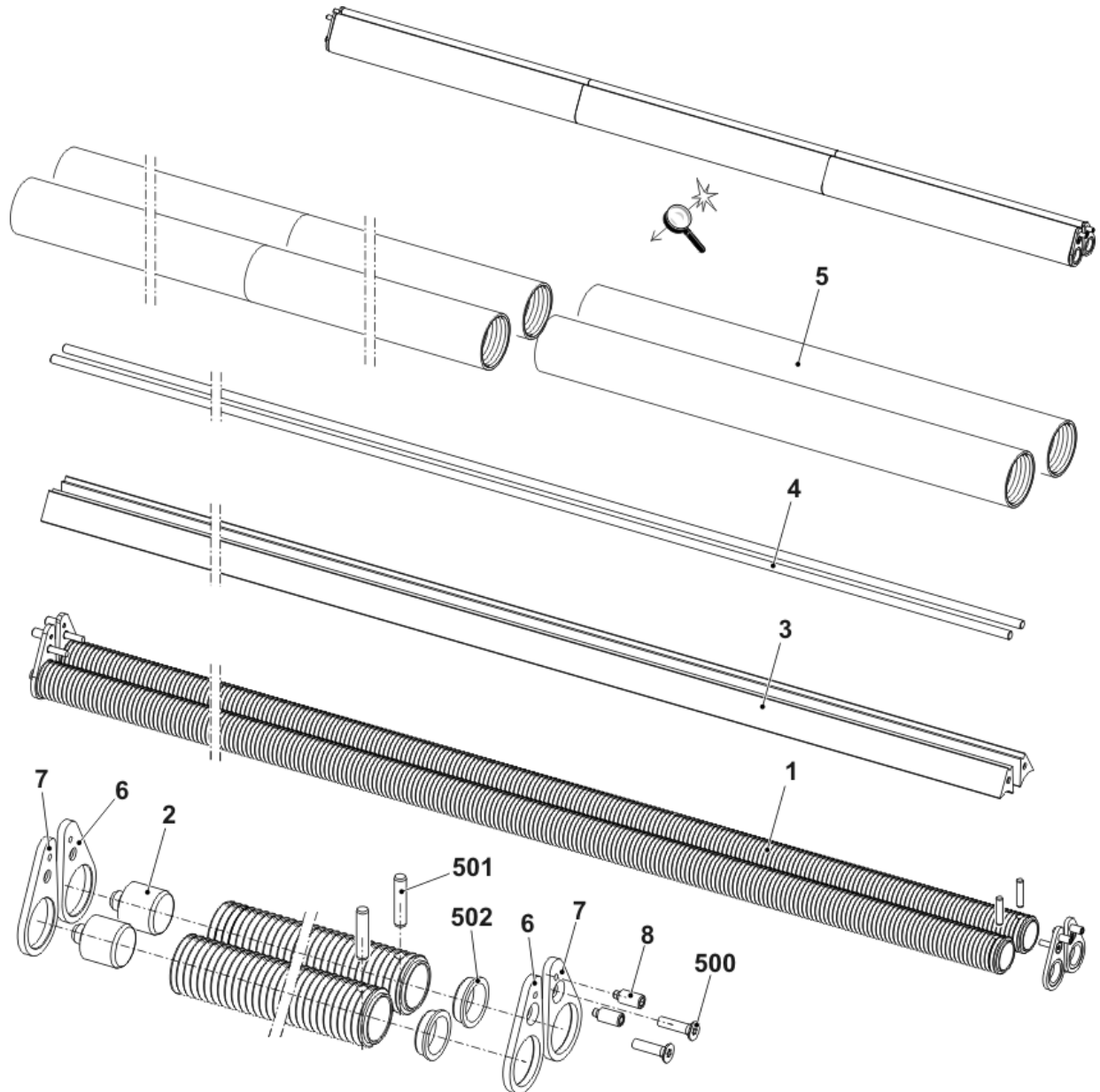
9.1 Belt Take-Down

Pos	Designation	Id	Pos	Designation	Id
Σ	Belt take-down				
1	Belt complete	266 958	13	Shim	266 828
2	Drive unit complete	267 963	16	Thread clamp	267 514
3	Gear unit complete	265 979	17	Cable between switch and winding plate OKC5 BA	267 952
4	Left support complete	265 982	500	Cap screw M6x16	020 135
5	Winding guard complete	266 955	501	Washer 6	020 872
9	Bearing strip at the bottom complete	266 827	502	Cap screw M6x25	023 335
10	Yarn brake on the right E12-18	265 657	503	Countersunk screw M6x14	266 777
	Yarn brake on the right E5-10	267 907	504	Feather key 6x6x20	265 788
11	Cover on the left E12-18	267 261	505	Cap screw M6x20	023 180
	Cover on the left E5-10	267 983	506	Cap screw M6x8	023 532
12	Coupling	265 693	507	Cap screw M8x25	023 563



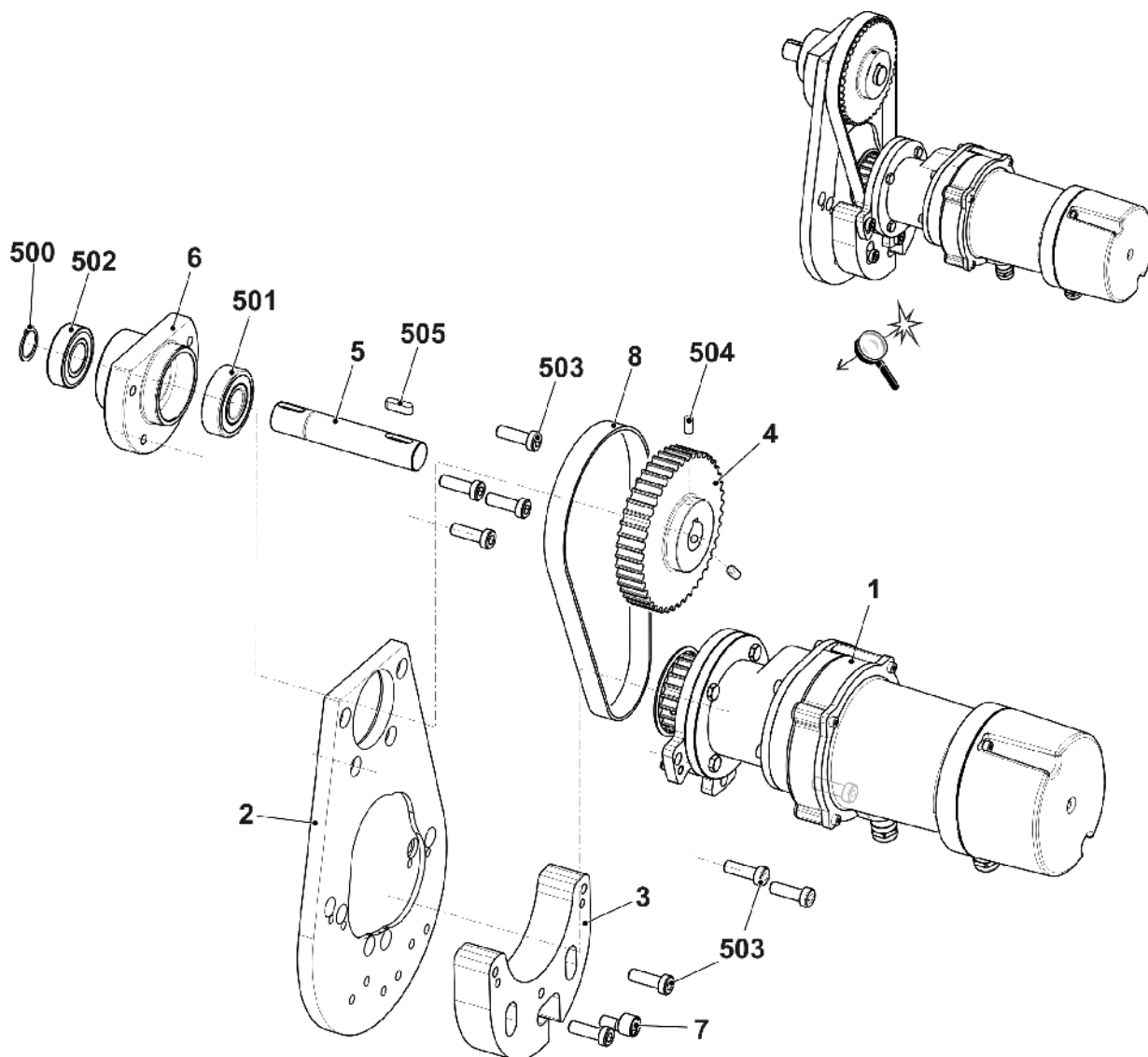
9.2 Belt

Pos	Designation	Id	Pos	Designation	Id
Σ	Belt complete	266 958	6	Casing cap at the right	266 382
1	Drive shaft of belt take-down	266 954	7	Casing cap at the left	266 383
2	Bolts	265 633	8	Support	265 630
3	Support	266 952	500	Screw 50x20	263 540
4	Shaft	266 953	501	Dowel pin 6x28	265 784
5	Belt	266 960	502	Slide bearing	266 772



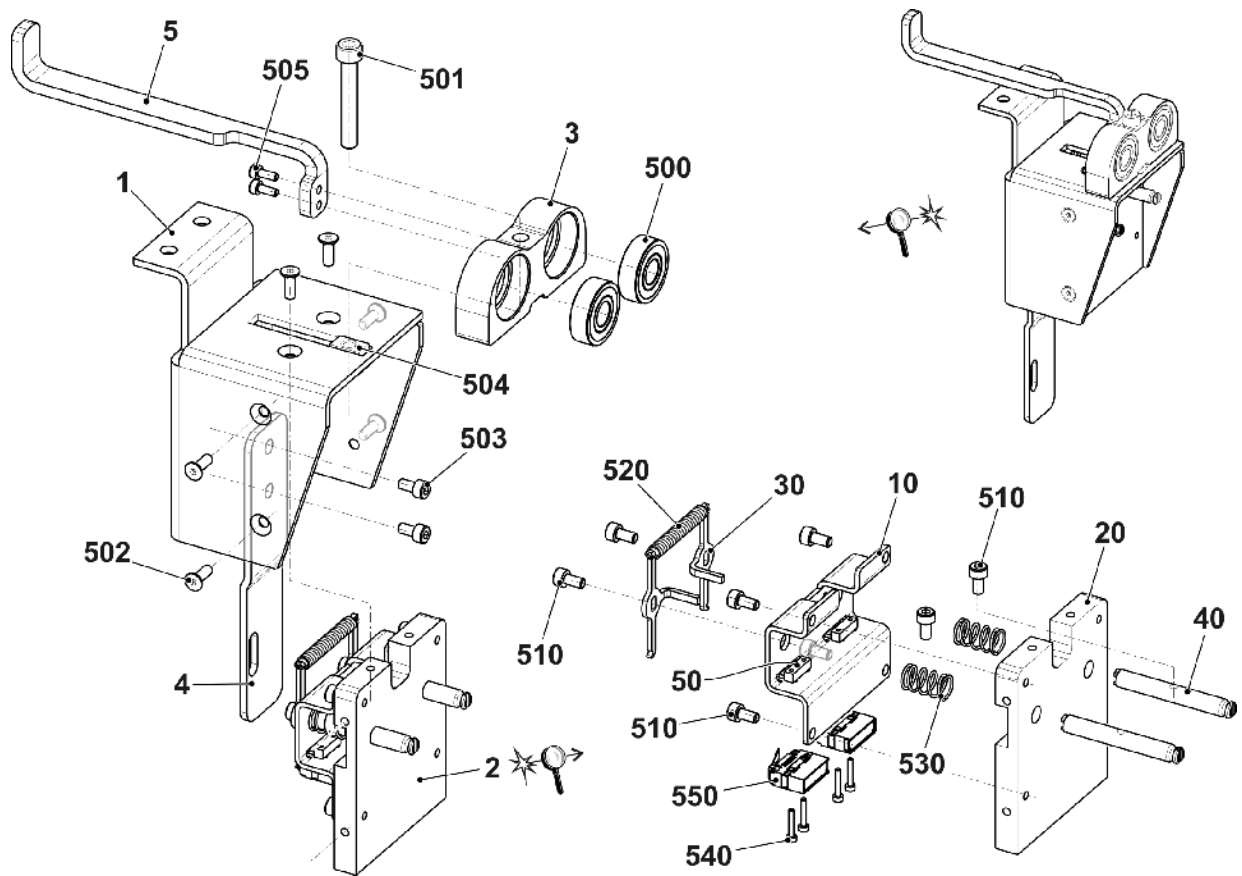
9.3 Drive unit

Pos	Designation	Id	Pos	Designation	Id
Σ	Drive unit complete	267 963			
1	Motor complete	267 626	8	Toothed belt 560	265 738
2	Plate at the top	266 818	500	Retaining ring 20x1,2	020 956
3	Motor support	266 819	501	Grooved ball bearing 6204-2RS	022 848
4	Timing belt pulley 44-HTD8M	265 624	502	Grooved ball bearing 6004-2RS	236 089
5	Shaft	265 634	503	Cap screw M8x25	023 563
6	Flange	266 820	504	Setscrew M16x12	023 898
7	Eccentric	266 612	505	Feather key 6x6x20	265 788



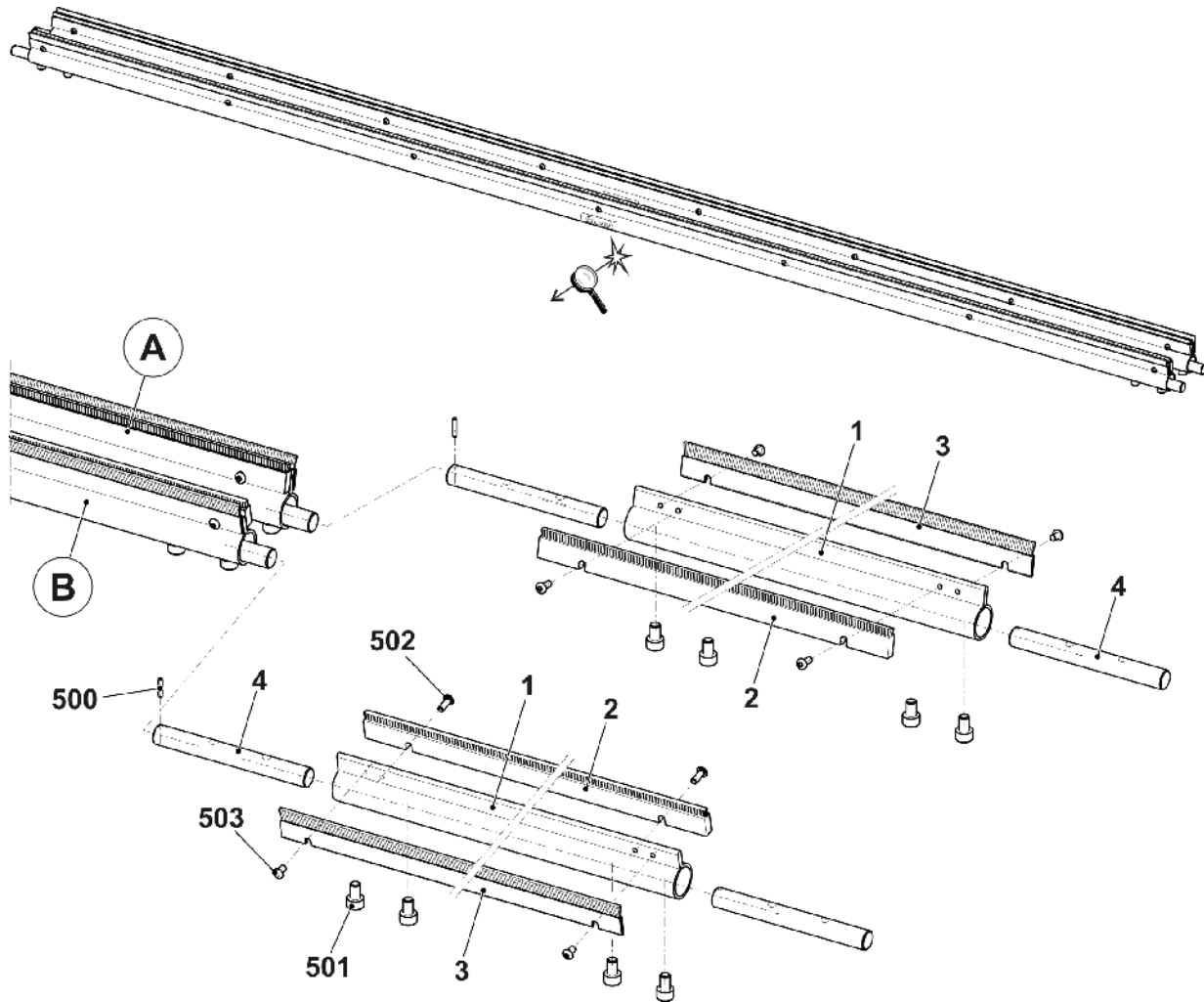
9.4 Support on the left

Pos	Designation	Id	Pos	Designation	Id	
Σ	Left support complete	265 982		540	Cap screw M2x12	023 522
1	Support angle	266 417		550	Switch of Winding PlateBA	266 613
2	Switch component complete	265 981	3	Support	266 418	
10	Support on the left	266 821	4	Holding angle at the left	265 704	
20	Screw-on plate	266 419	5	Bearing strip at the top complete	266 825	
30	Switch plate	266 822	500	Grooved ball bearing 6000-2Z	022 599	
40	Operating shaft	266 823	501	Cap screw M6x40	020 140	
50	Tension bar	266 824	502	Countersunk screw M4x12	023 062	
510	Cap screw M4x8	022 501	503	Cap screw M5x8	023 319	
520	Tension spring	023 308	504	NutM6x8	265 785	
530	Compression spring	023 464	505	Cap screw M3x8	022 582	



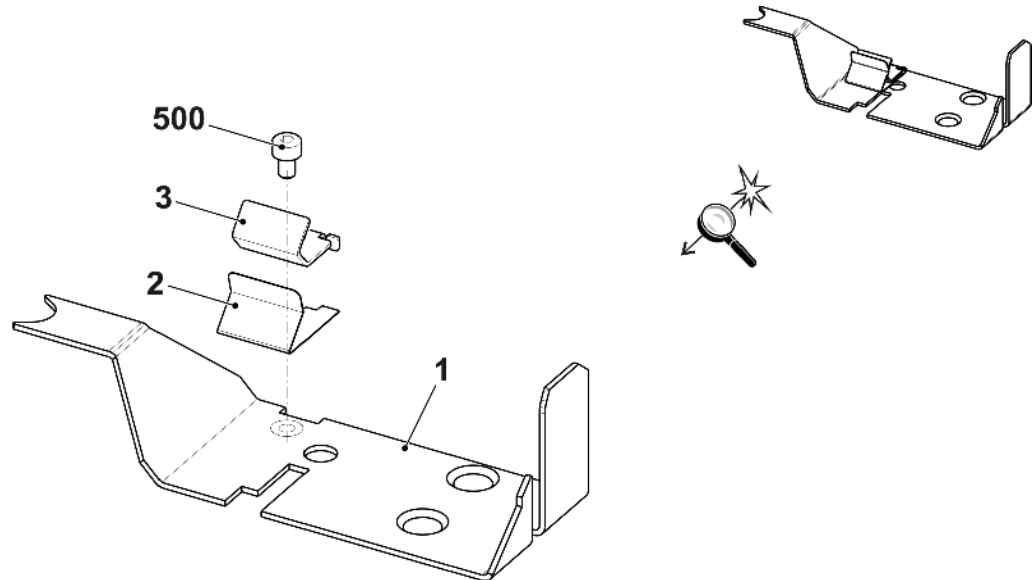
9.5 Winding guard

Pos	Designation	Id	Pos	Designation	Id
Σ	Winding guard complete	266 955			
A	Stripping angle at the rear complete	266 956	4	Shaft	265 697
B	Stripping angle in the front complete	266 957	500	Dowel pin 2x10	266 722
1	Stripping angle	266 949	501	Cap screw M5x8	023 319
2	Stripping brush	266 950	502	Pan head screw M3x5	023 530
3	Brush antistatic	266 951	503	Pan head screw M3x5	235 966

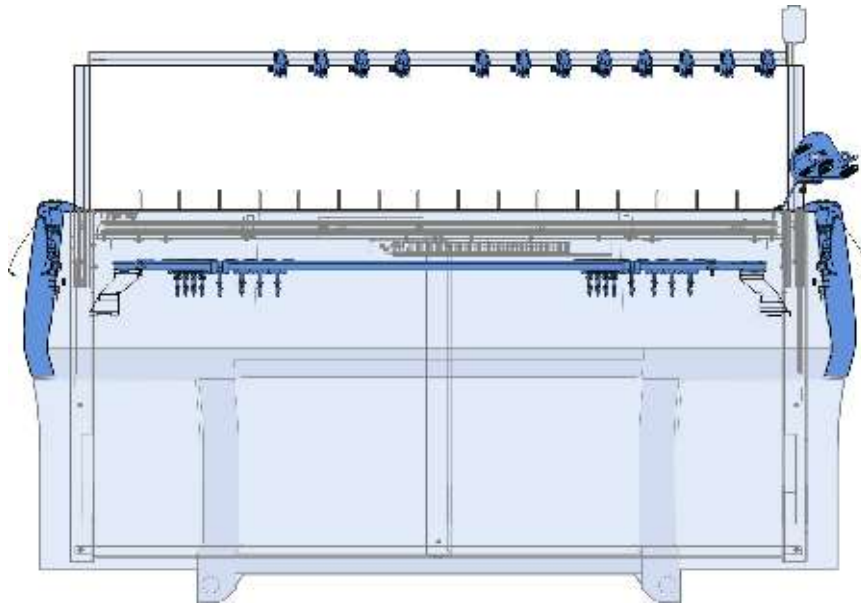


9.6 Yarn brake

Pos	Designation	Id	Pos	Designation	Id
Σ R	Yarn brake on the right	265 657			
1	Cover on the right	265 656	3	Test clamping plate	256 713
2	Leaf spring	256 712	500	Cap screw M4x6	023 067

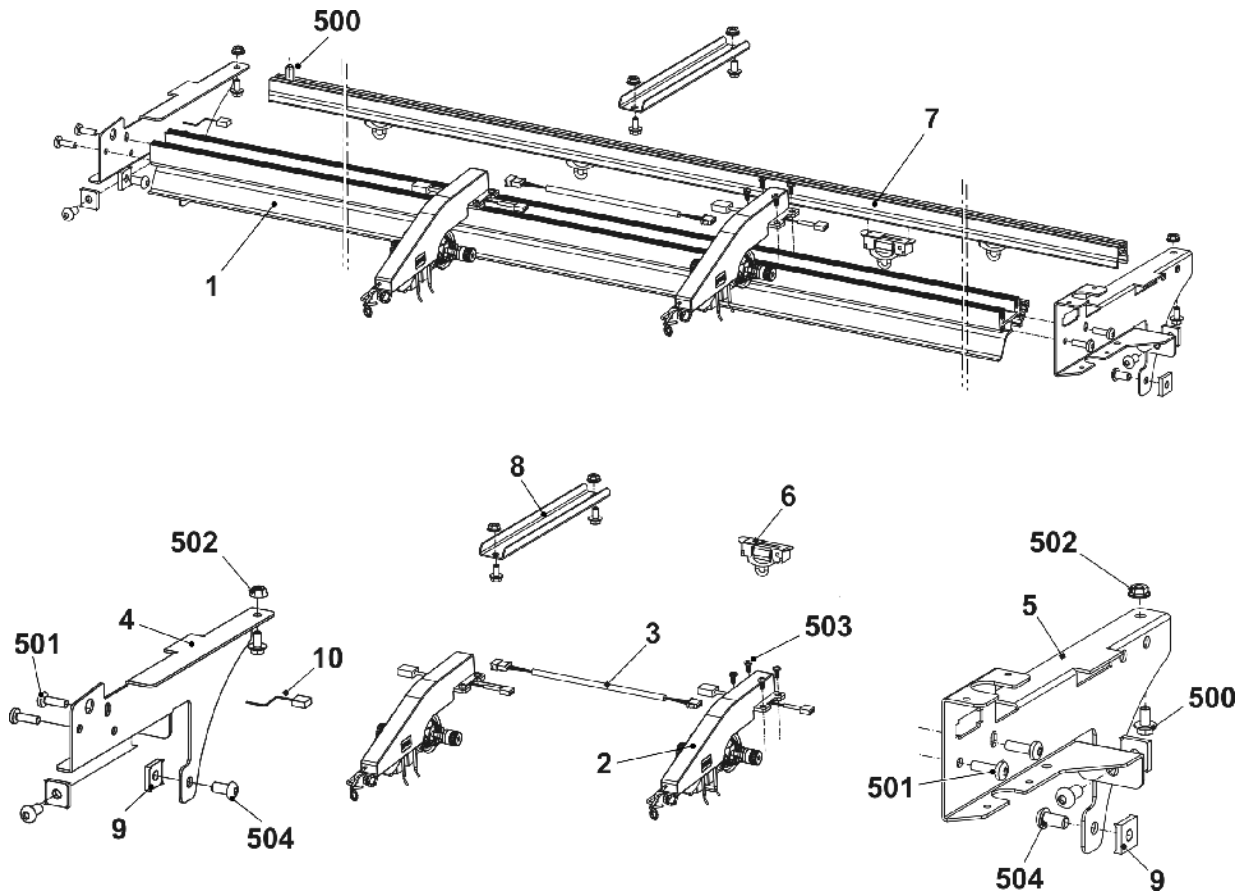


10 Yarn delivery device



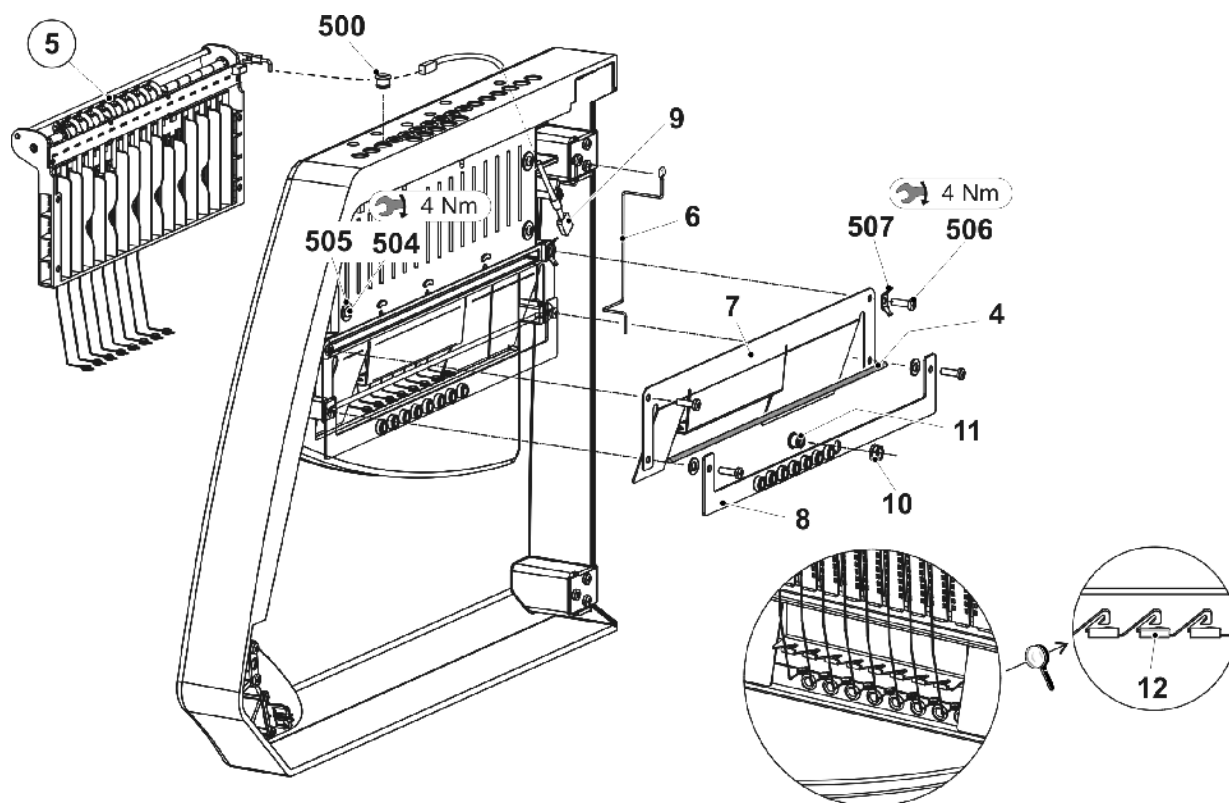
10.1 Yarn guide device

Pos	Designation	Id. no.	Pos	Designation	Id. no.
Σ	Yarn guide device 14 FKE 45"	269 181	8	Straps	267 258
1	Straps	267 213	9	Slot nut	228 851
2	Yarn control device (FKE)	267 212	10	Ground cable	270 234
3	Cable FKE 502	269 410	500	Self-locking screw M6x12	023 415
4	Support on the left	267 256	501	Screw M6x20	023 721
5	Support on the right	267 257	502	Serrated nut M6-10	023 414
6	Yarn guide bracket complete	241 581	503	Sheet metal screw	243 075
7	Yarn guide bar 45"	251 631	504	Pan-head screw M8x16	023 113



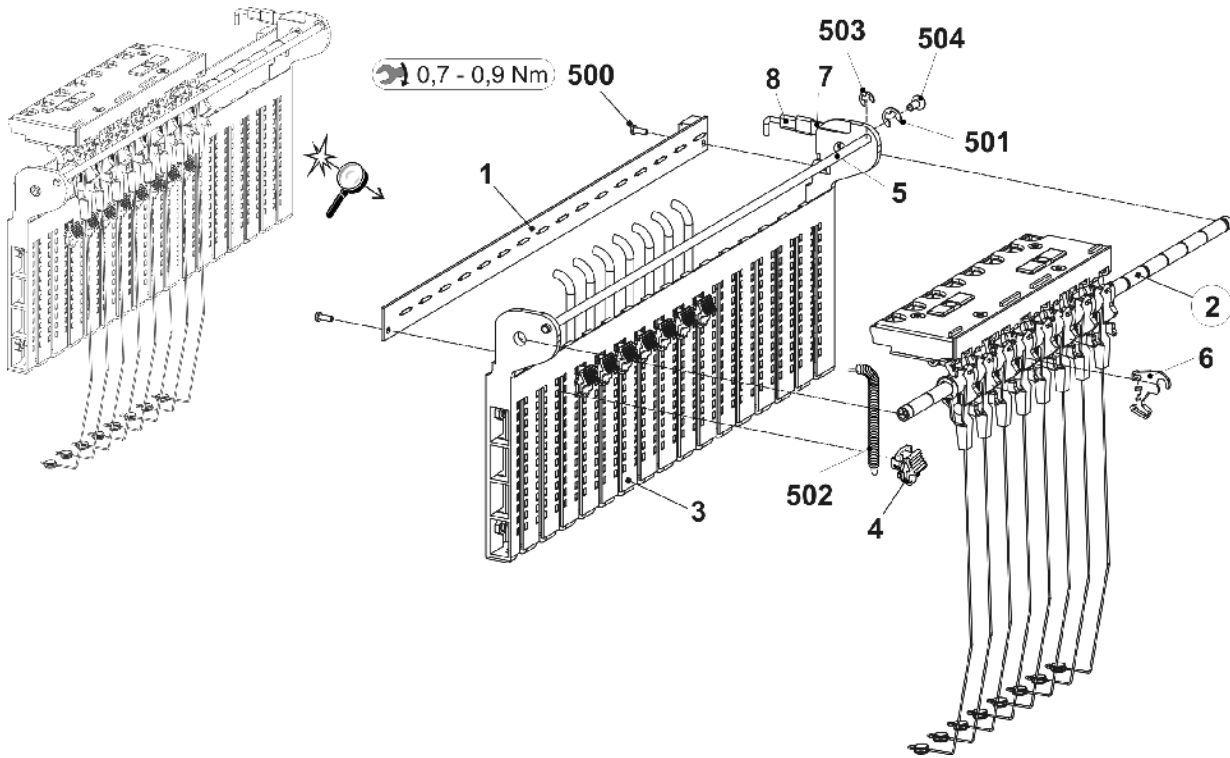
10.2 Safety door E10-18

Pos	Designation	ID	Pos	Designation	ID
Σ	Safety door on the left complete E10-18	269 784			
	Safety door on the right complete E10-18	269 785			
4	Shaft	241 318	8	Eyelet holder on the left complete	268 513
5	Yarn tensioner on the left complete E10-18	269 801		Eyelet holder on the right complete	269 789
	Yarn tensioner on the right complete E10-18	269 802		Eyelet holder complete	268 515
6	Wire bow on the left	265 052	10	Ceramic eyelet	268 511
	Wire bow on the right	265 053	11	Clamping ring	268 512
7	Stop plate left complete	269 794	9	Connection cable yarn tensioner okc	240 808
	Stop plate on the left	268 534	500	Ceramic eyelet	240 640
	Stop plate right complete	269 793	504	Pan head screw M5x16	265 377
	Stop plate on the right	269 795	505	Washer 5,3x18x1,5	020 909
	12	Stop sleeve	266 433	506	Screw 6x20
			507	Flat connector 2x45° M6	243 117



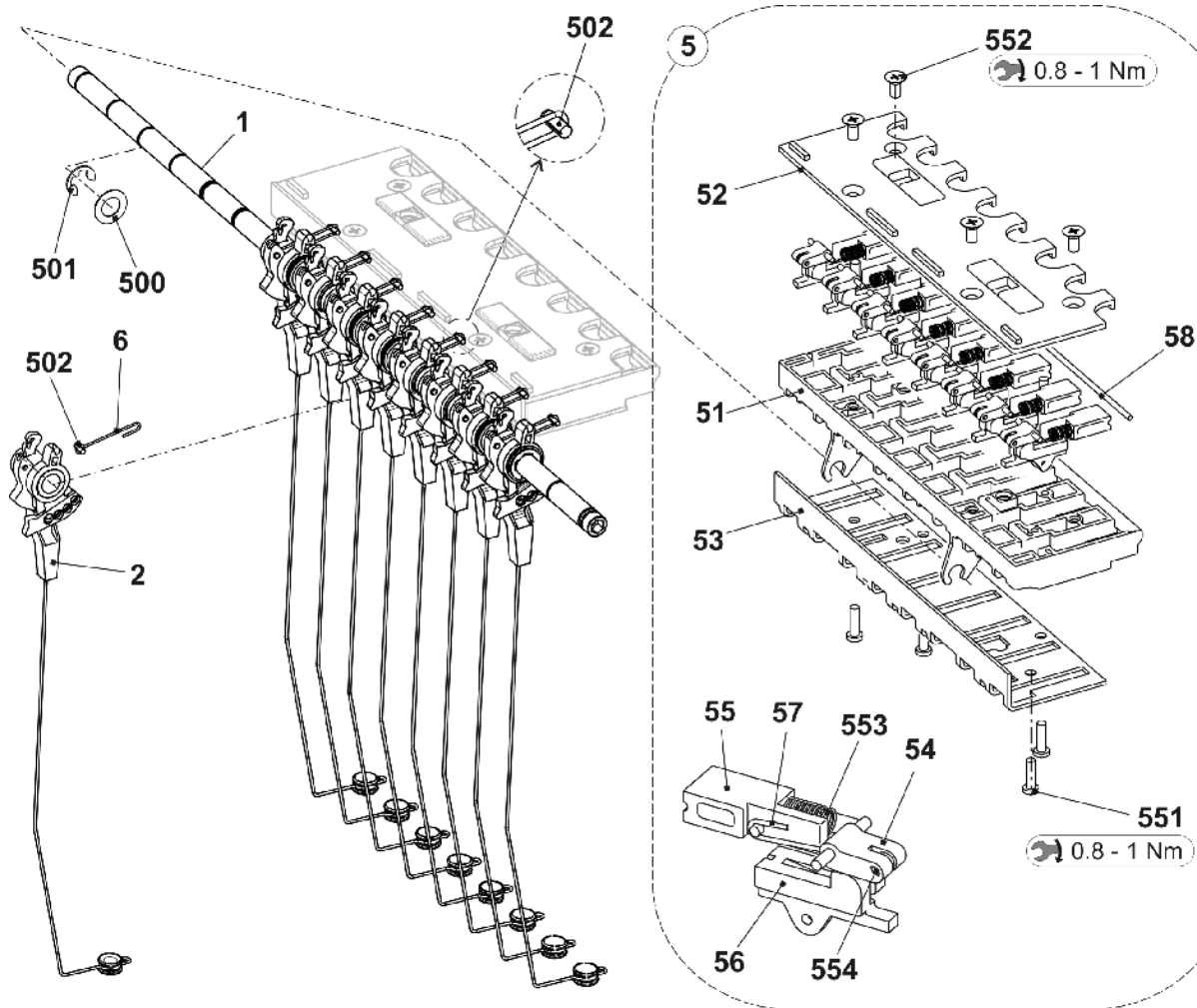
10.3 Yarn Tensioner

Pos	Designation	ID	Pos	Designation	ID	
Σ	Yarn tensioner on the left complete		3	Housing	241 367	
	E5 E2,5.2 E3,5.2	269 797	4	Slider	241 694	
	E7-8	269 799	5	Stop point	241 368	
	E10-18	269 801	6	Spacer	242 048	
	Yarn tensioner on the right complete		7	Grounding plate of tension axle	243 121	
	E5 E2,5.2 E3,5.2	269 798	8	Ground cable yarn tensioner okc	243 105	
	E7-8	269 800	500	Screw KB 30x8	236 228	
	E10-18	269 802	501	Circlip	021 022	
	1	Card yarn tensioner 16-fold on the left	241 345	502	Tension spring 4,9x0,5x53 E6.2	023 503
		Card yarn tensioner 16-fold on the right	241 346	503	Circlip	021 020
2	Tension axle on the left complete		504	Countersunk screw M4x10	241 914	
	E3-8	264 090				
	E10-18	264 091				
	Tension axle on the right complete					
	E3-8	269 791				
	E10-18	269 790				



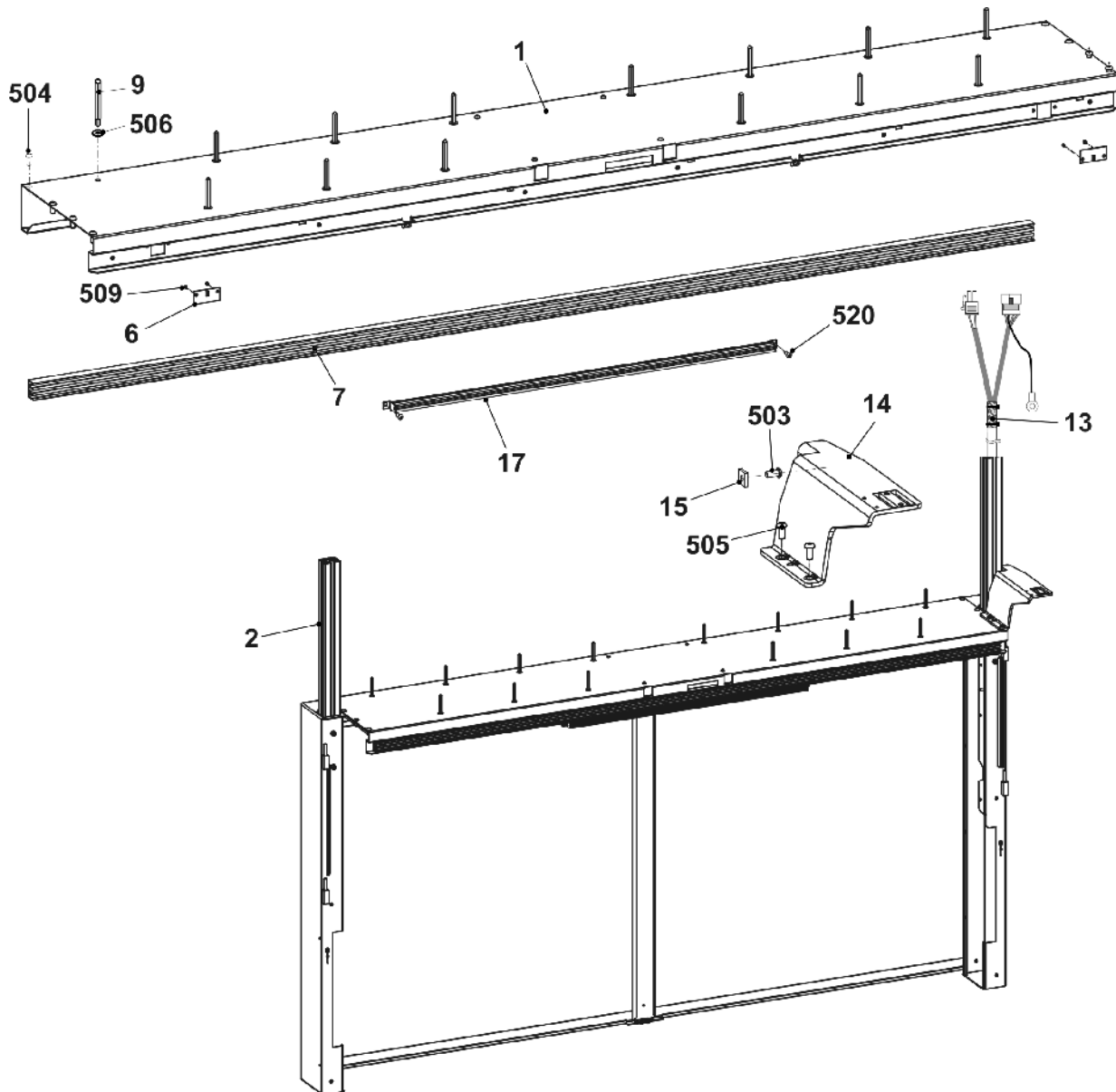
10.3.1 Tension axle

Pos	Designation	ID	Pos	Designation	ID	
Σ	Tension axle on the left complete E3-8	264 090	5	Thread clamp AKF	238 695	
	Tension axle on the right complete E3-8	269 791		51	Housing AKF	238 689
	Tension axle on the left complete E10-18	264 091		52	Cover AKF	237 926
	Tension axle on the right complete E10-18	269 790		53	Sheet metal at the bottom (housing AKF)	240 719
1	Axle	243 107	54	Lever AKF	238 692	
2	Tension arm pre-assembled E3-8	259 448	55	Pressure piece AKF	238 690	
	Tension arm pre-assembled E10-18	258 459	56	Slider AKF	238 691	
6	Wire bow	238 694	57	Wire bow	238 694	
500	Shim ring 8x14x0,5	023 501	58	Wire	237 940	
501	Circlip	021 022	551	Screw KB 35x12	237 681	
502	Grooved pin 2x6	243 172	552	Screw KB 40x8	236 227	
			553	Compression spring 0,30x4,50x18,50	241 437	
			554	Grooved pin 2x6	243 172	



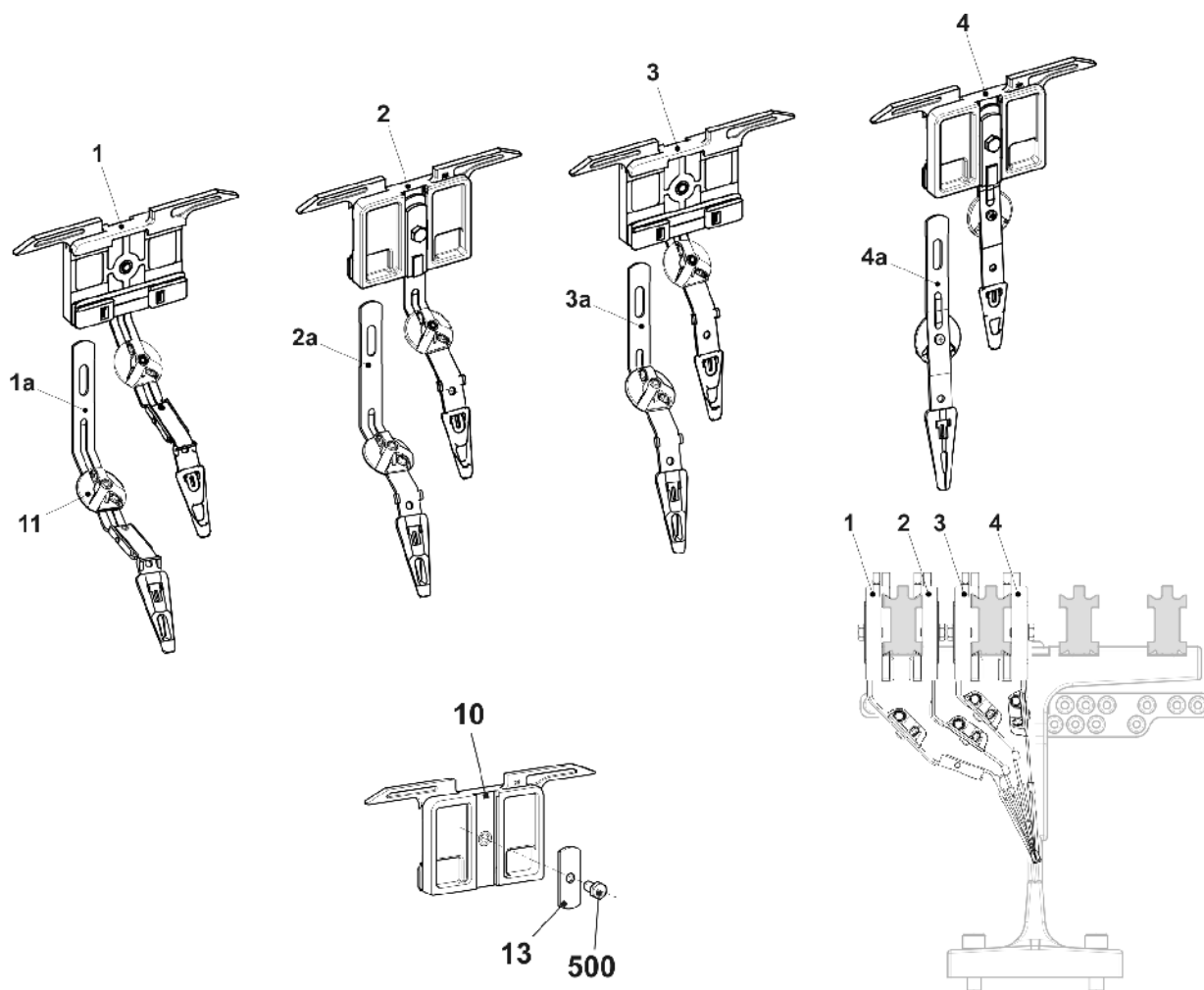
10.4 Bobbin board

Pos	Designation	Id. no.	Pos	Designation	Id. no.
Σ	Table complete 45"	269 557	15	Slot nut	228 851
1	Table	269 558	17	Lamp LED complete	268 722
2	Support element	228 594	503	Pan head screw M8x18	251 331
6	Card safety door switch middle	270 127	504	Pan head screw M8x10	241 930
7	Guide rail at the top	264 129	505	Pan head screw M8x16	023 113
9	Positioning pin	204 819	506	Washer 5	020 901
13	Connection cable of yarn control unit, signal light	269 509	509	Cap screw 3x4	022 805
14	Support of right feed wheel	264 454	520	Pan head screw M6x16	023 124



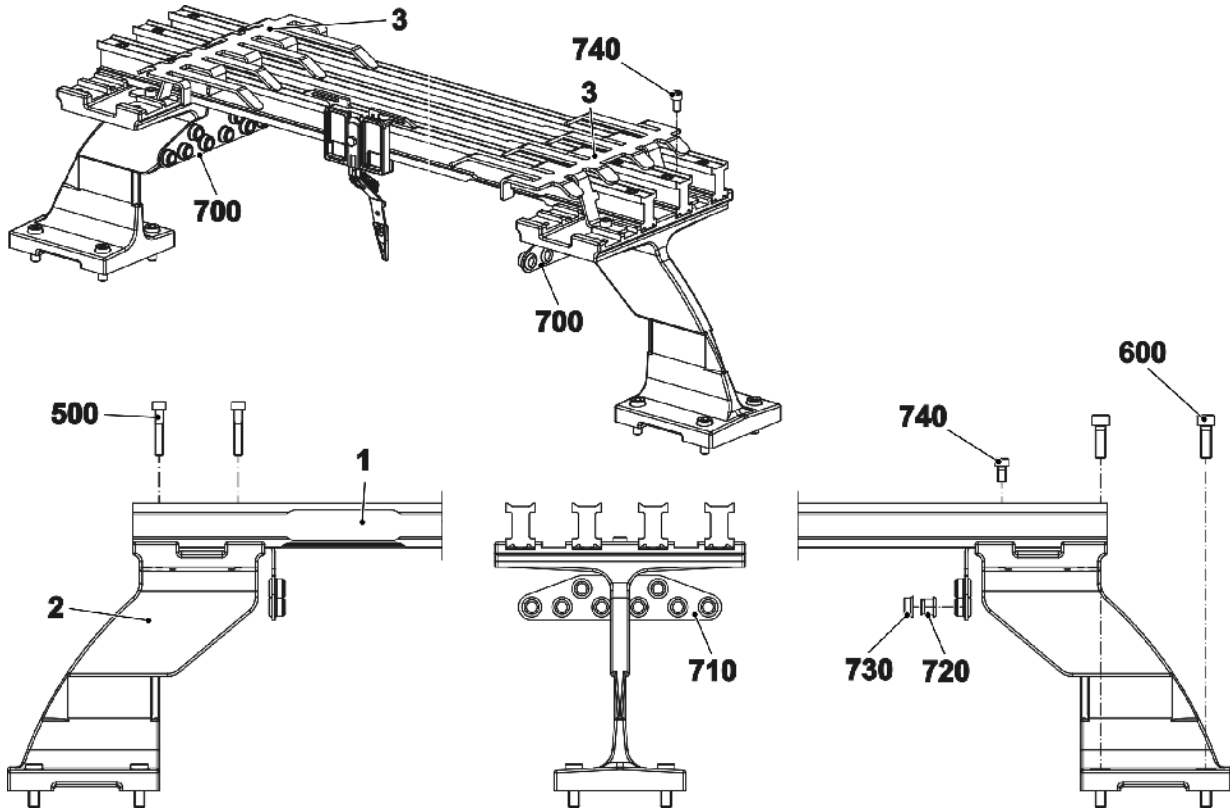
10.5 Yarn guide complete E10-18

Pos	Designation	Track	Id. no.	Pos	Designation	Id. no.
Σ	Yarn guide complete					
	E10 E12 E14 E6.2(12m.10) E7.2(14/12) E7.2 E8.2		253 832			
	E16 E18		256 932			
E10 E12 E14 E6.2(12m.10) E7.2(14/12) E7.2 E8.2				E10 E12 E14 E6.2(12m.10) E7.2(14/12) E7.2 E8.2		
1	FF carriage complete E10-14	1+8	243 943	1a	FF bow 1+8 complete E10-14	212 994
2	FF carriage complete E10-14	2+7	243 942	2a	FF bow 2+7 complete E10-14	212 996
3	FF carriage complete E10-14	3+6	243 941	3a	FF bow 3+6 complete E10-14	212 995
4	FF carriage complete E10-14	4+5	243 940	4a	FF bow 4+5 complete E10-14	212 997
E16 E18				E16 E18		
1	FF carriage complete E16-18	1+8	243 947	1a	FF bow 1+8 complete E16-18	223 199
2	FF carriage complete E16-18	2+7	243 946	2a	FF bow 2+7 complete E16-18	223 201
3	FF carriage complete E16-18	3+6	243 945	3a	FF bow 3+6 complete E16-18	223 200
4	FF carriage complete E16-18	4+5	243 944	4a	FF bow 4+5 complete E16-18	223 202
10	FF carriage complete		243 062	13	Shim	213 035
11	Yarn guide star complete		209 257	500	Hexagon screw M5x10	020 351



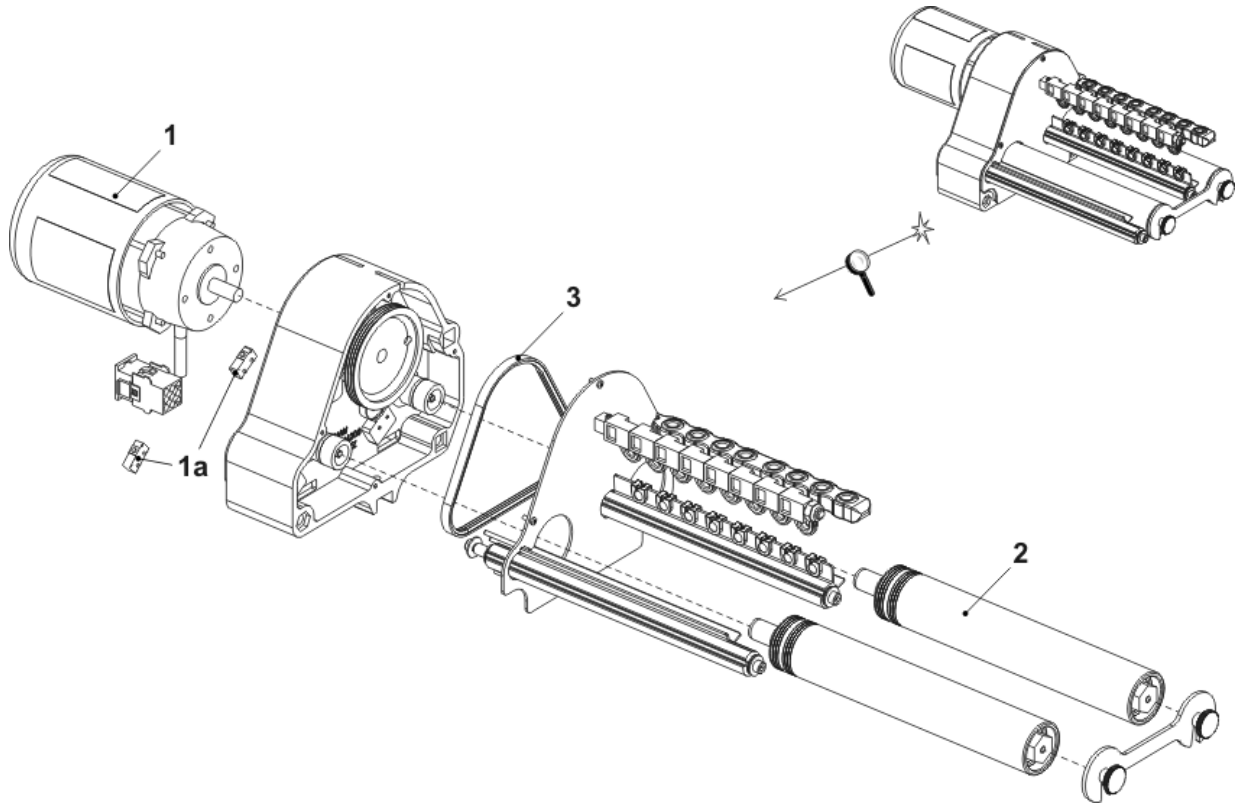
10.6 Bar unit

Pos	Designation	Id. no.	Pos	Designation	Id. no.
Σ	Bar unit				
1	Yarn carrier rail	267 840	700	Yarn guide bracket complete	269 409
2	FF support	268 418	710	Eyelet holder complete	268 424
3	Limiter	268 410	720	Ceramic eyelet	268 511
500	Cap screw M6x35	020 139	730	Clamping ring	268 512
600	Cap screw M8x25	020 142	740	Cap screw M6x12	020 134



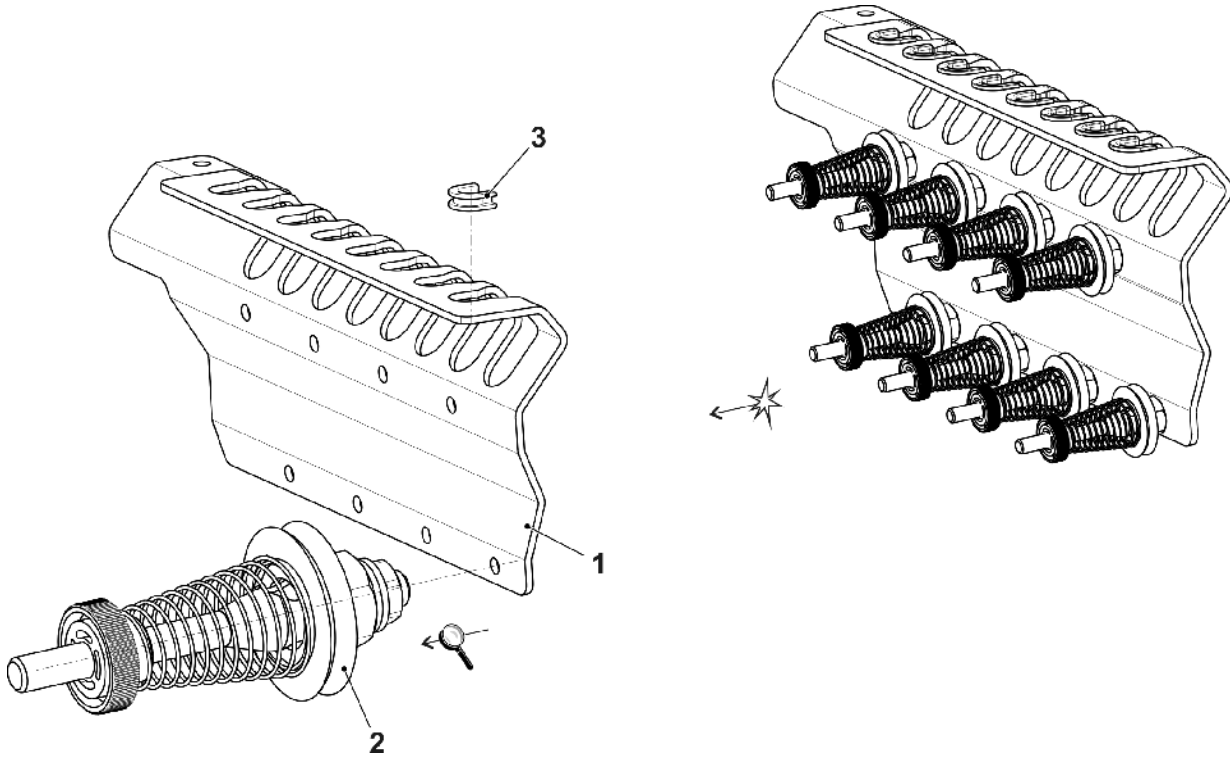
10.7 Right friction feed wheel

Pos	Designation	ID	Pos	Designation	ID
Σ	Friction feed wheel on the right	269 398			
1	Three-phase AC motor complete	219 800	2	Friction roller complete	269 400
1a	Micro Switches	008 664	3	Ribbed V-belt V3J 406	206 927

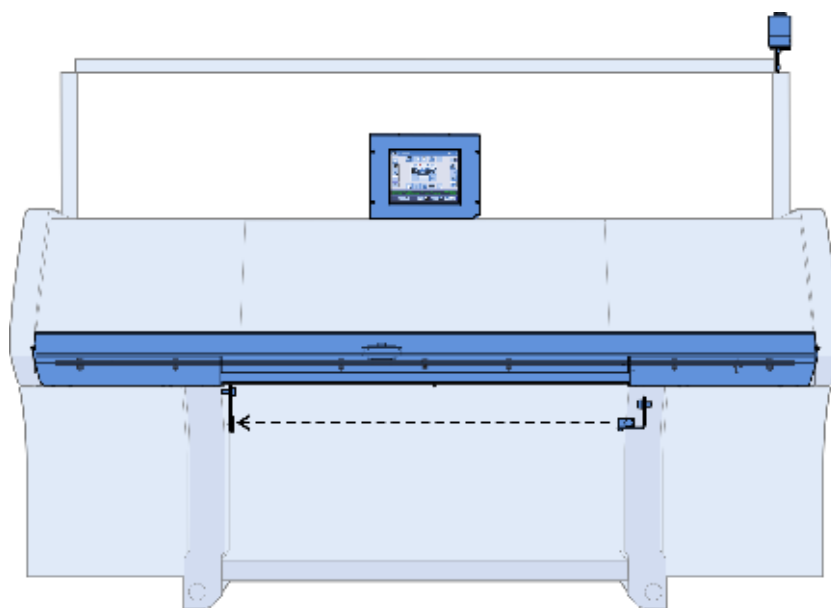


10.8 Stopping device on the right

Pos	Designation	Id	Pos	Designation	Id
Σ	Stopping device on the right E10-18	265 288	2	Yarn brake E10-18	259 440
	Stopping device on the right E3-8, E6.2	265 054		Yarn brake E5-8, 6.2	264 353
1	Stopping device on the right E10-18	265 286	3	Ceramic eyelet open	240 733
	Stopping device on the right E3-8, 6.2	264 992			

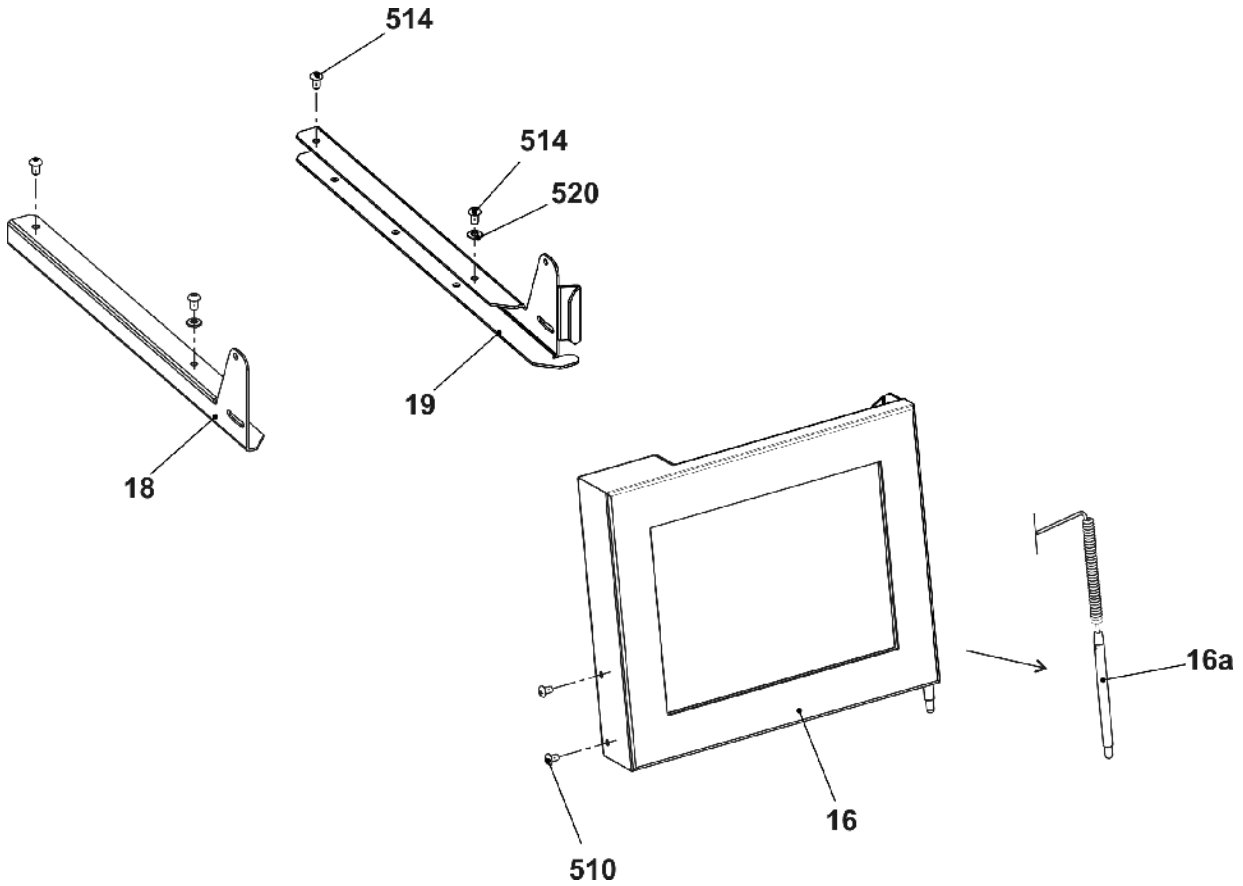


11 Operation and control



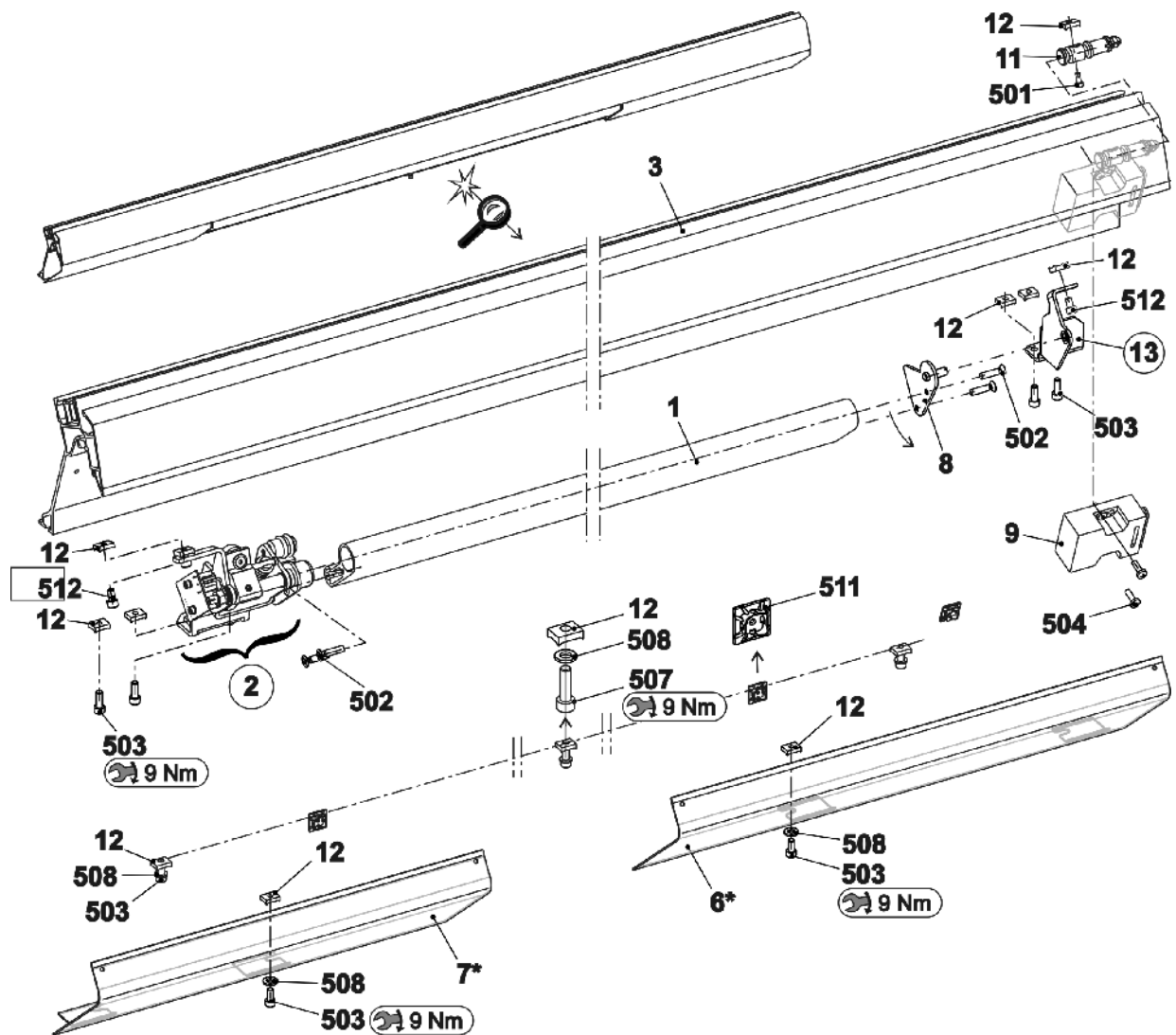
11.1 Input unit

Pos	Designation	Id	Pos	Designation	Id
Σ	Display touch		19	Display support on the right	264 191
16	Display touch complete	268 259	510	Pan head screw M5x8	239 408
16a	Pencil touch	242 812	514	Pan head screw M6x108	023 183
18	Display support on the left	264 192	520	Washer 6,1x12,2x1,2	023 598



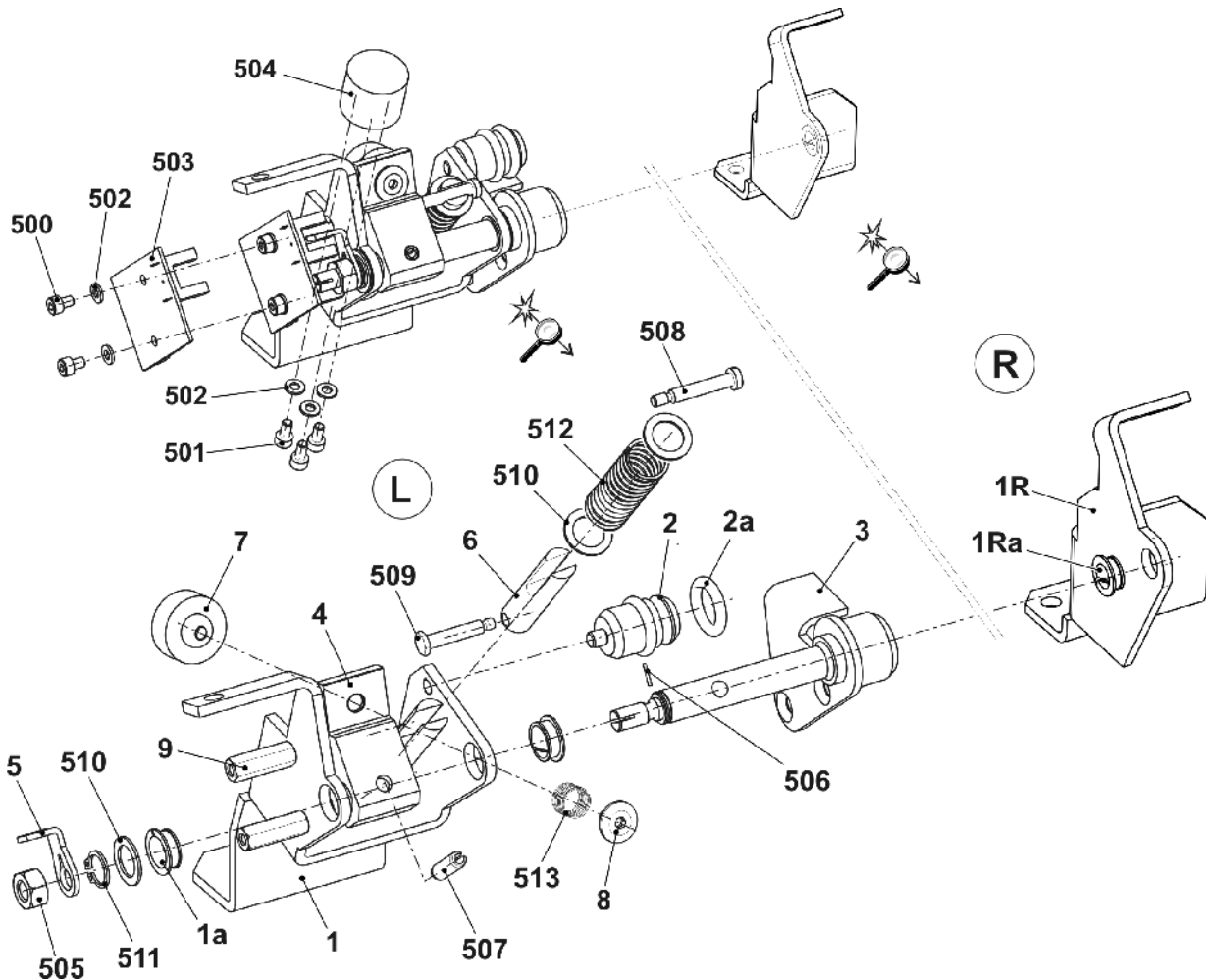
11.2 Starting device

Pos	Designation	Id	Pos	Designation	Id
Σ	Starting device	268 576	13	Bearing on the right	264 800
1	Engaging Rod	251 686	501	Cap screw M6x20	020 136
2	Bearing on the left complete	250 071	502	Screw M6x25	023 510
3	Guide rail at the bottom pre-assembled	268 575	503	Cap screw M6x16	020 135
6*	Cover plate on the right	251 691	504	Pan head screw M5x14	023 588
7*	Cover plate on the left	251 690	507	Cap screw M6x20-12.9	020 136
8	Bearing on the right complete	265 444	508	Washer 6	020 872
9	Cable switch safety doors	223 350	511	Cable holder	262 037
11	Locating bolt	219 107	512	Cap screw M6x10	023 690
12	Slot nut	225 099	513	Pan head screw M5x10	023 247



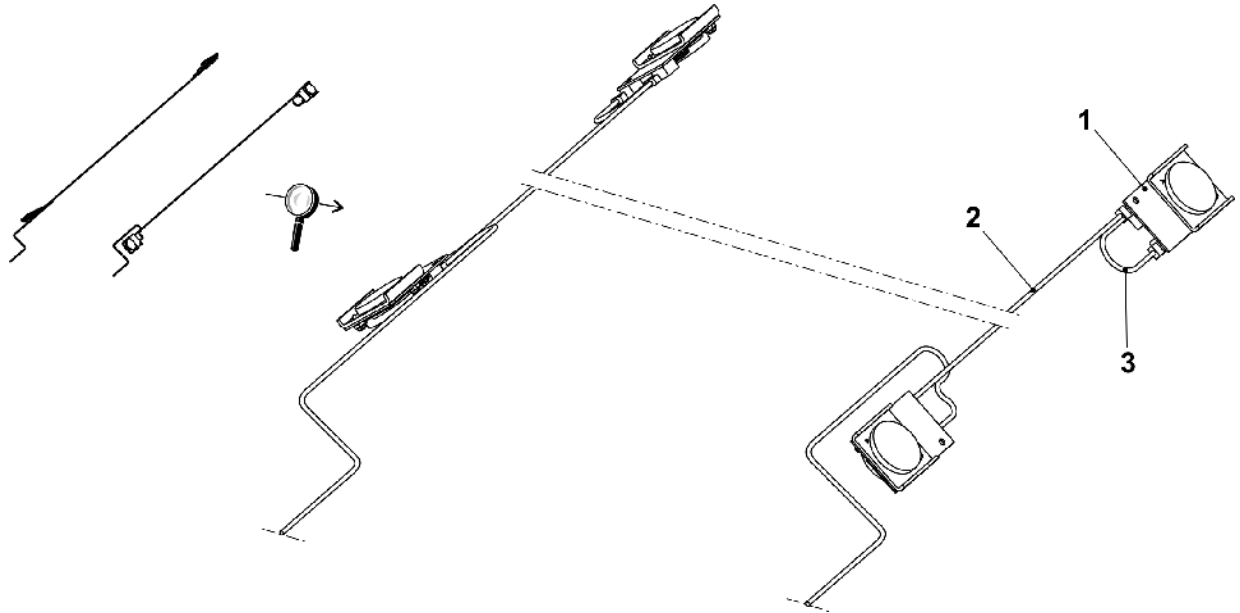
11.2.1 Bearing of the engaging rod

Pos	Designation	Id. no.	Pos	Designation	Id. no.
L	Bearing on the left complete	250 071	502	Shim ring 4x8x1	023 369
1	Bearing on the left	245 218	503	Card engaging	259 000
1a	Clip bearing MCM 12-04	023 639	504	Adhesive magnet direct current	026 233
2	Support of buffer	220 561	505	Hexagon nut M8-6	020 838
2a	O-ring 14x4	023 237	506	Dowel pin 1,5x8	236 923
3	Shaft on the left	245 219	507	Spring dowel sleeve 6x20	023 719
4	Anchor	253 776	508	Shoulder screw M4x24,8x7,7	240 299
5	Switch flag	245 220	509	Shoulder screw	251 316
6	Spring mandrel	251 340	510	Shim ring 12x18x1	023 315
7	Disk	245 222	511	Retaining ring 12x1	020 951
8	Shoulder screw	254 528	512	Compression spring 1,25x15x98,2	023 609
9	Distance bolt	240 287	513	Compression spring 0,5x11x20,21	265 082
500	Cap screw M4x6	023 067	1R	Bearing on the right	264 800
501	Cap screw M4x8	022 501	1Ra	Clip bearing MCM 08-03	253 072



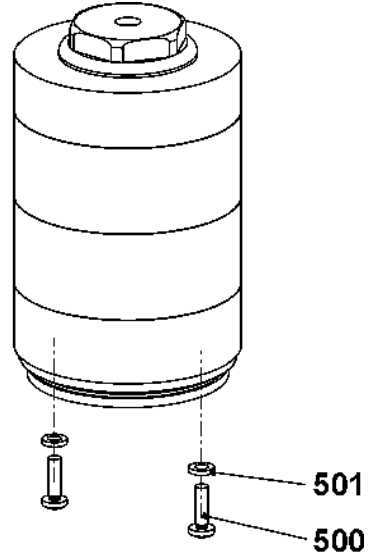
11.3 Shock stop motion

Pos	Designation	Id. no.	Pos	Designation	Id. no.
Σ	Shock stop motion complete	255 435	2	Connecting cable piezo sensor	220 063
1	Shock stop motion (Piezo)	220 011	3	End plug piezo sensor	220 053



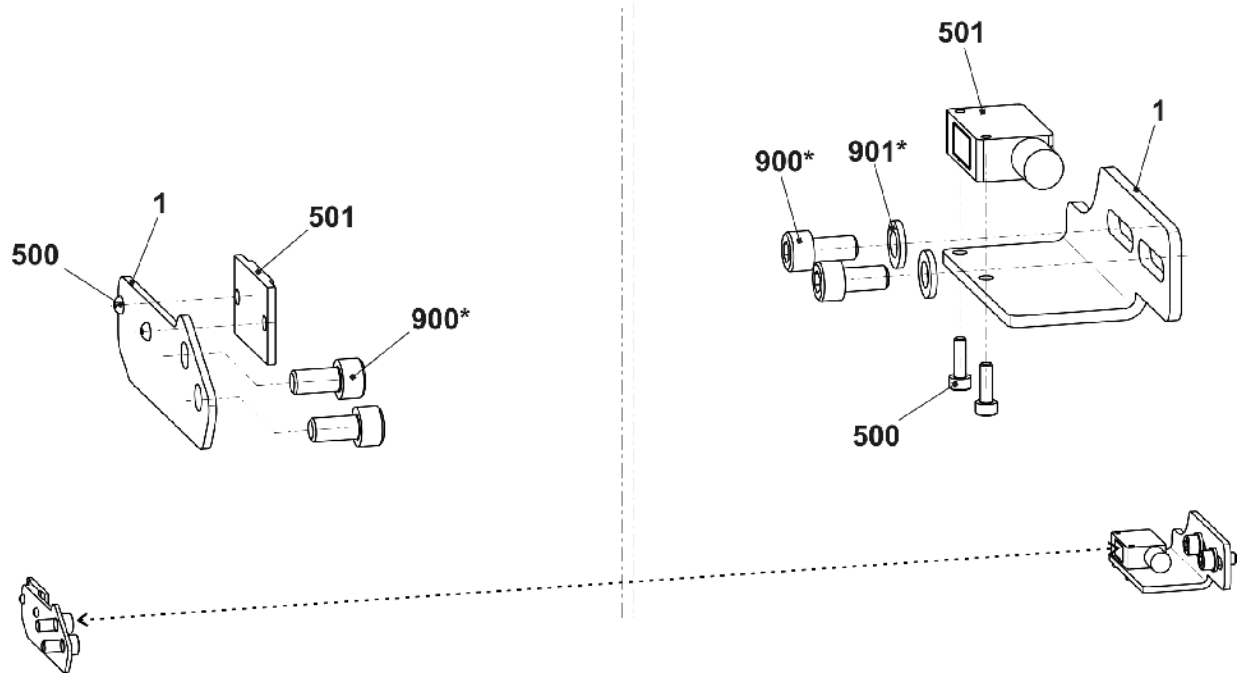
11.4 Signal light

Pos	Designation	Id	Pos	Designation	Id
Σ	Signal light LED	240 395			
500	Pan head screw M4x14	023 037			
501	Serrated lock washer A4,3-FS	022 482			



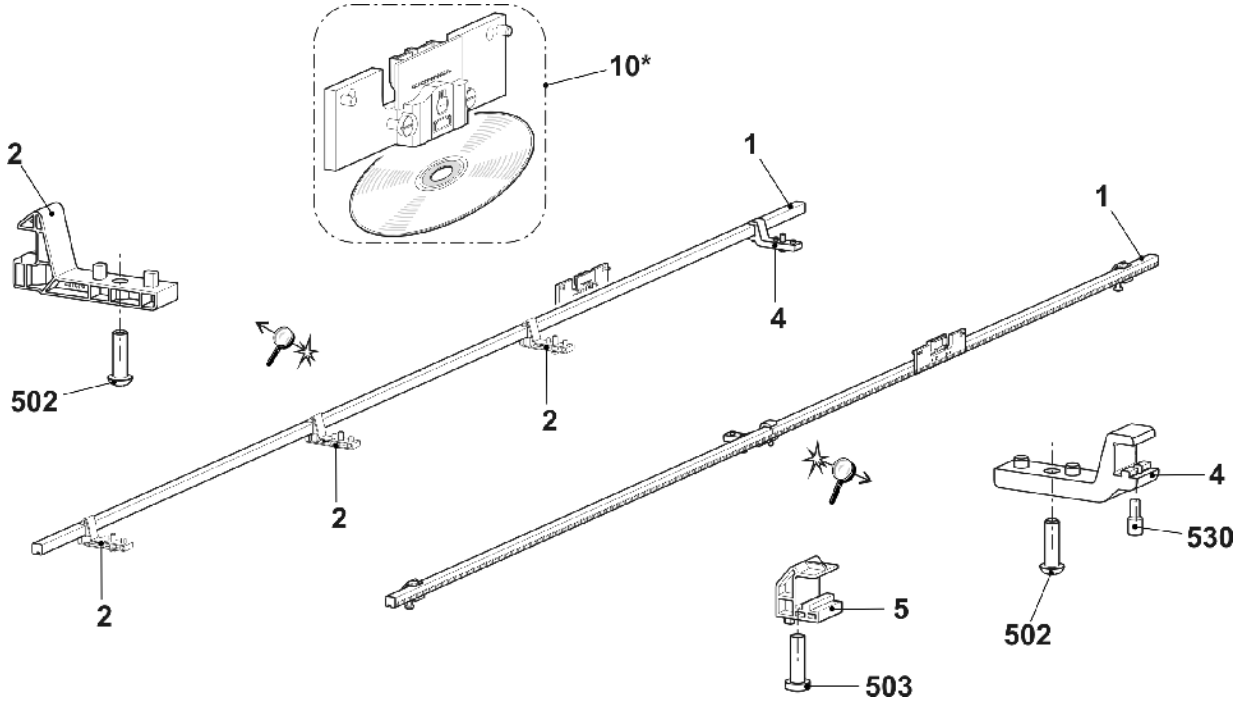
11.5 Control of Collecting Area

Pos	Designation	Id	Pos	Designation	Id
Σ	Reflector complete	256 826	Σ	Light barrier complete	256 825
1	Mounting plate reflector	256 675	1	Holding angle light barrier	256 674
500	Blind rivet A3x8-Al	023 158	500	Cap screw M3x10	022 991
501	Reflector 20x20 mm	243 356	501	Light Barrier	243 355
900*	Cap screw M6x12	020 134	900*	Cap screw M6x12	020 134
			901*	Washer 6	020 872

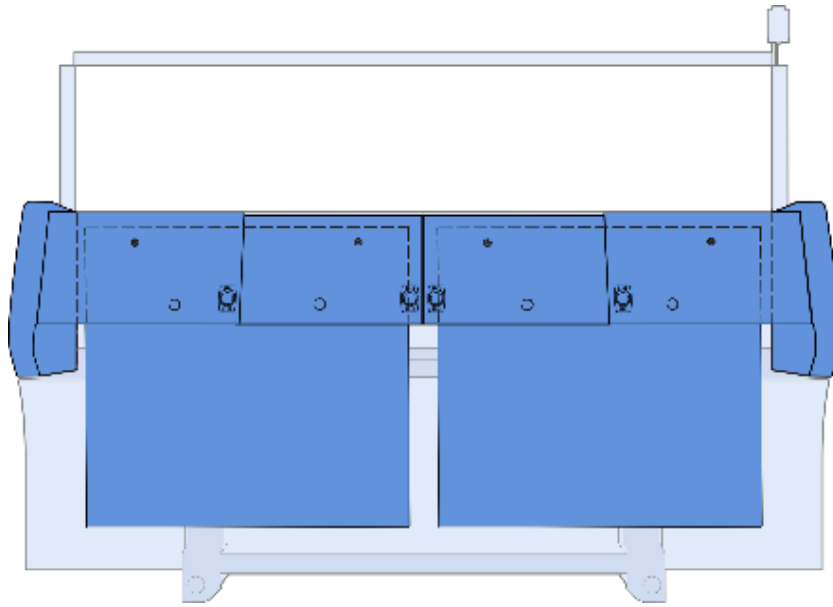


11.6 Measuring device

Pos	Designation	Id	Pos	Designation	Id
Σ	Measuring device				
1	Measuring bar	264 278	5	Guide outside	251 605
2	Guide	251 676	10*	Spare parts package impulse sensor GLM OH	266 961
4	Guide	240 672	502	Pan-head screw M6x20	241 603
	530	Setscrew	503	Screw 60x20	243 625

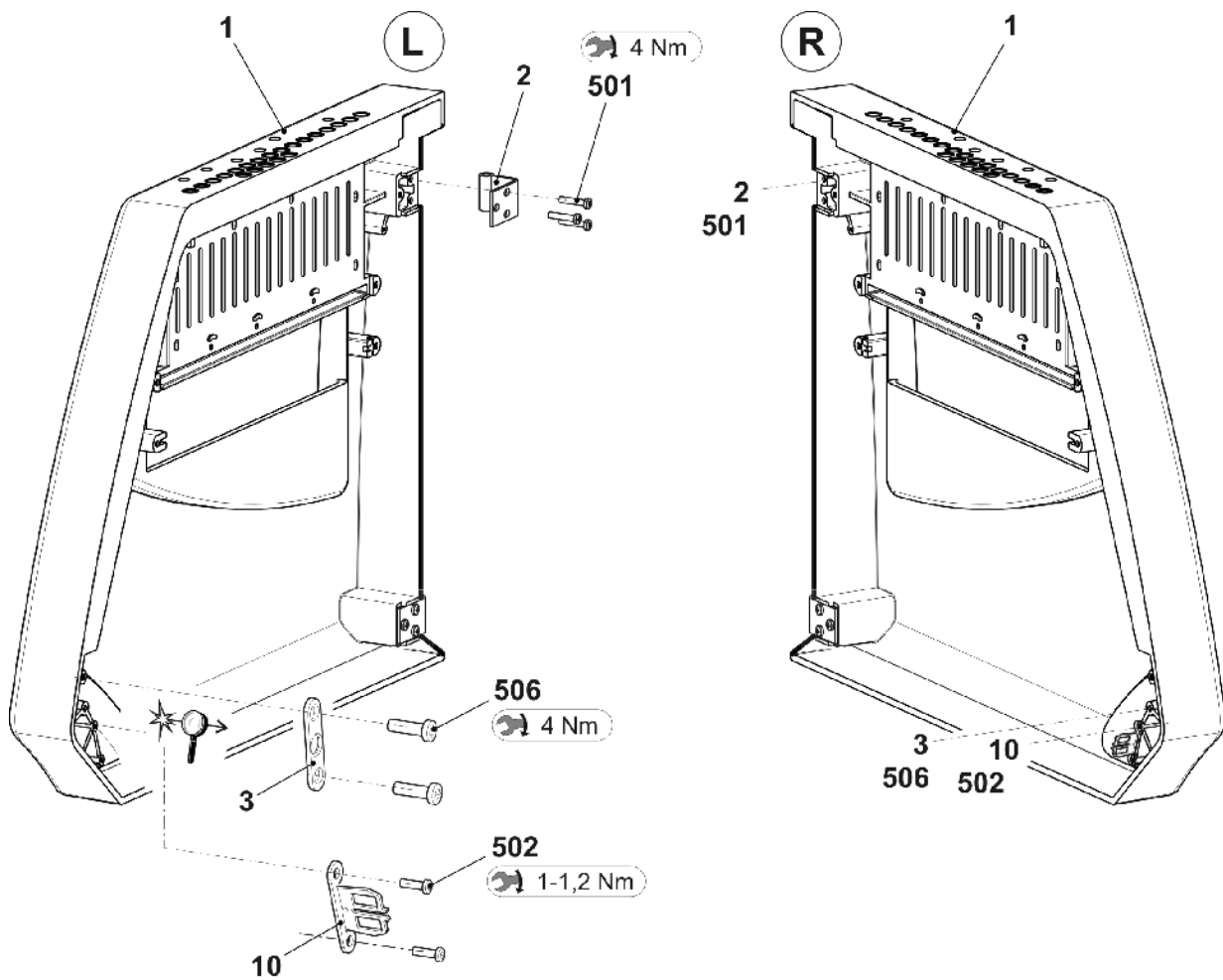


12 Protective device



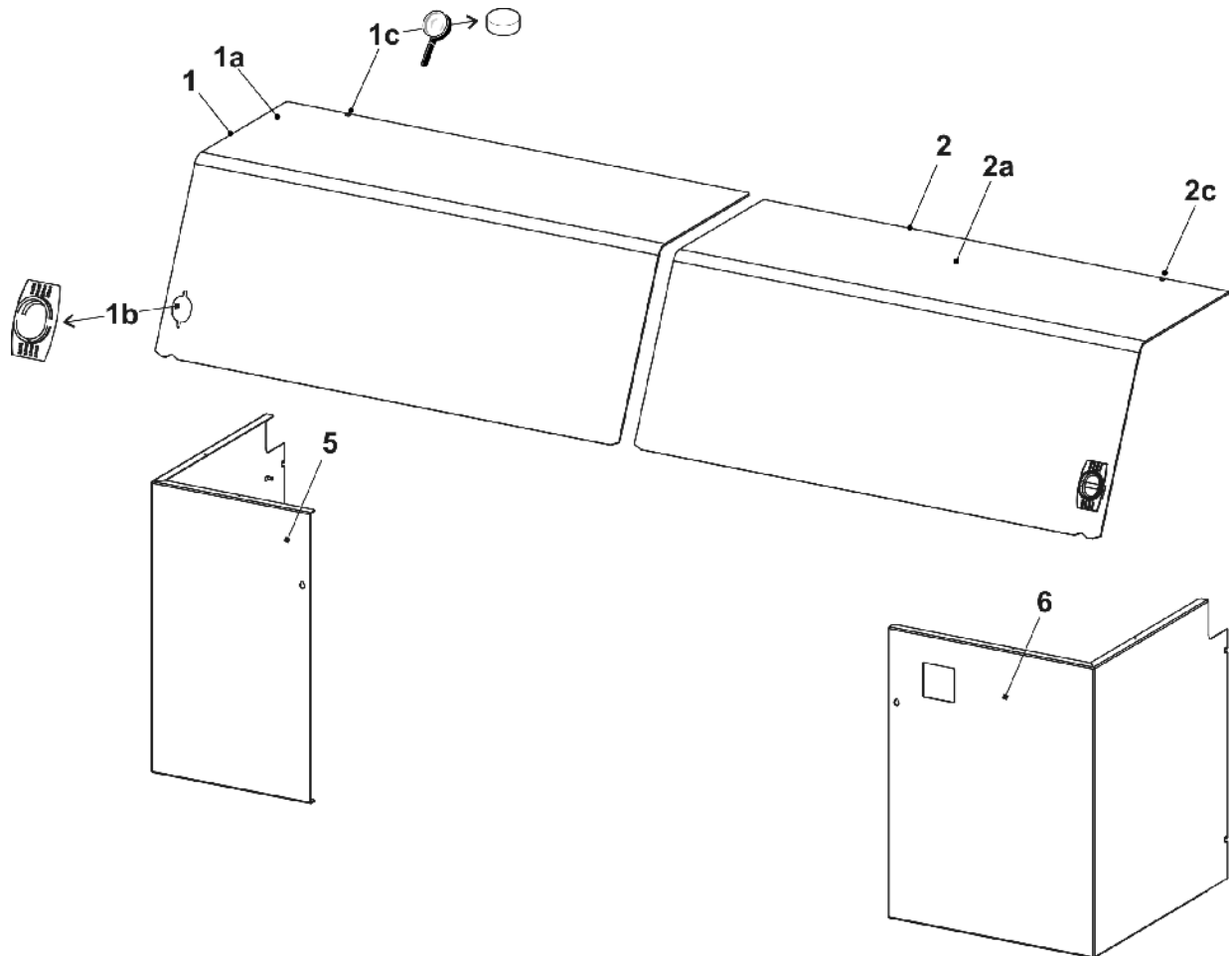
12.1 Lateral safety doors

Pos	Designation	Id	Pos	Designation	Id
1	Safety door on the left		1	Safety door on the right	
	E10-18	269 784		E10-18	269 785
	E7-8 E6.2	269 782		E7-8 E6.2	269 783
	E5 E2,5.2 E3,5.2	269 780		E5 E2,5.2 E3,5.2	269 781
2	Hinge	263 939	2	Hinge	263 939
3	Locking plate	219 748	3	Locking plate	219 748
10	Actuator AZ 15/16	255 492	10	Actuator AZ 15/16	255 492
501	Screw 6x30	265 380	501	Screw 6x30	265 380
502	Screw 4x16	263 995	502	Screw 4x16	263 995
506	Screw 6x20	265 379	506	Screw 6x20	265 379



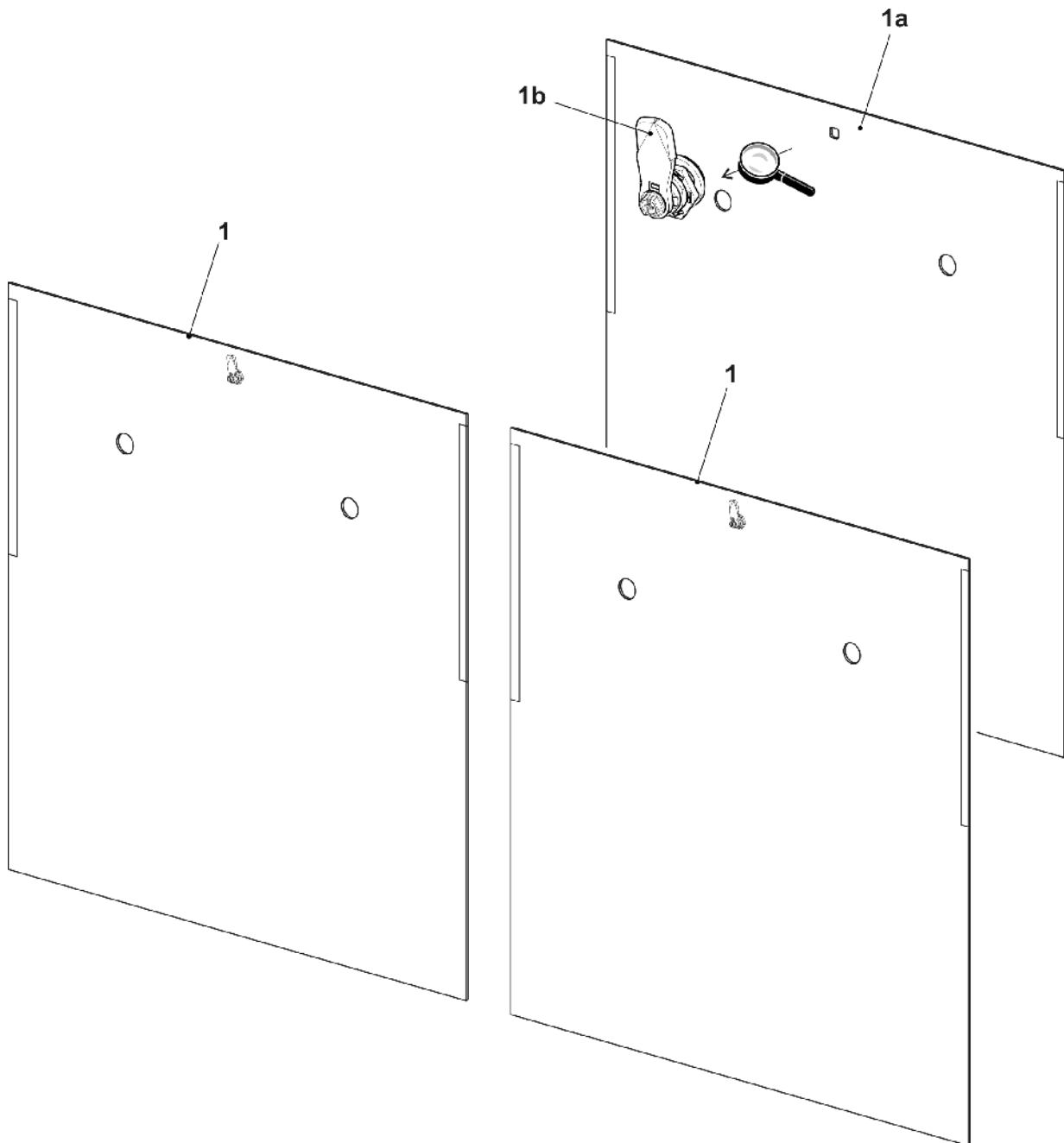
12.2 Panelling

Pos	Designation	Id	Pos	Designation	Id
1	Cover 1 complete	268 508	2	Cover 2 complete	268 509
	1a Cover 1	268 506		2a Cover 2	268 507
	1b Inlet type handle	251 376		2b Inlet type handle	251 376
	1c Magnet	264 015		2c Magnet	264 015
5	Control unit panelling on the left	252 595	6	Control unit panelling on the right	252 585

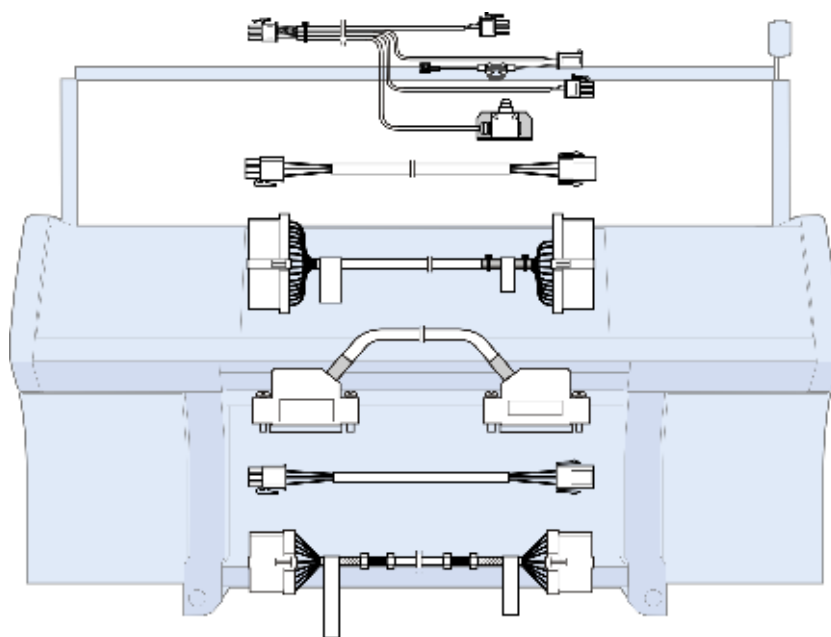


12.3 Rear panel

Pos	Designation	Id. no.	Pos	Designation	Id. no.
1	Panelling at the rear complete	264 017	1a	Rear panel	268 545
			1b	Safety sash fastener complete	243 052



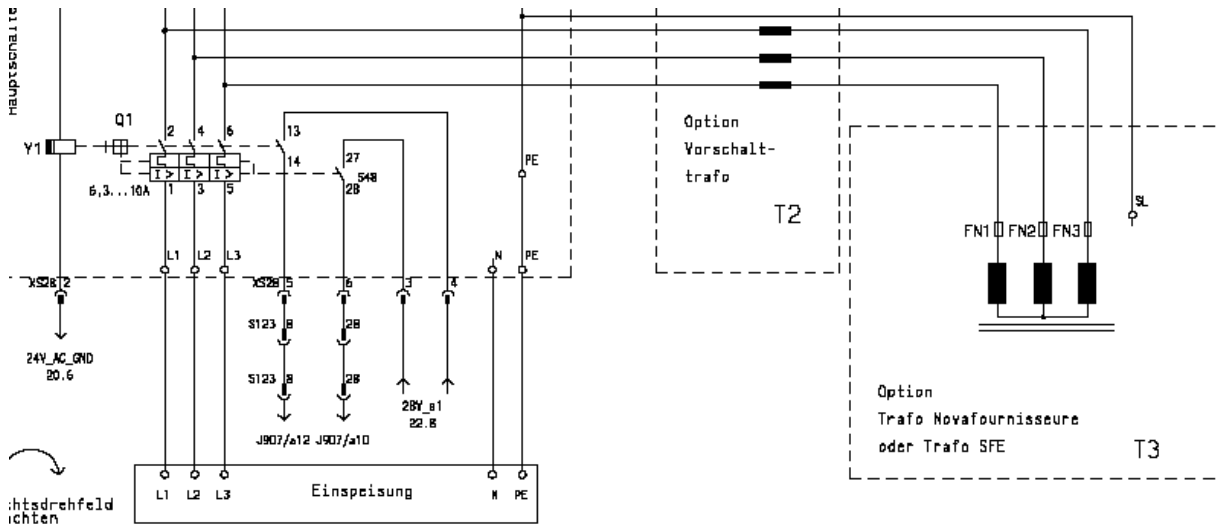
13 Electrical equipment



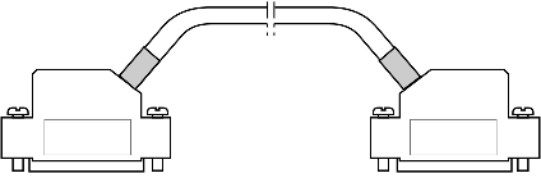
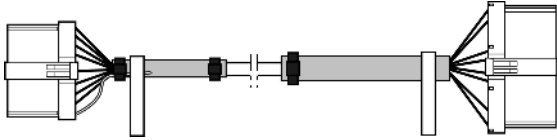
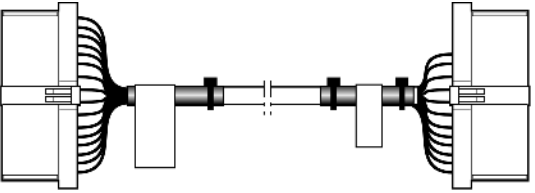
13.1 Circuit diagram (223) as PDF

Designation	ID	Marking
Circuit diagram 223 German	267 956	_DE
Circuit diagram 223 English	267 956	_GB
Circuit diagram 223 Chinese	267 956	_CN

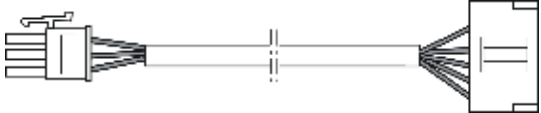
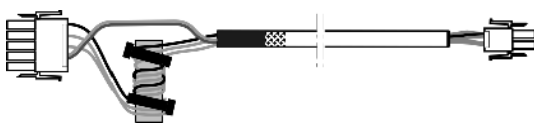
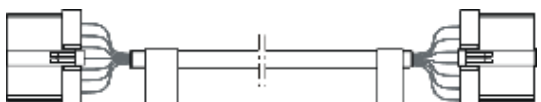
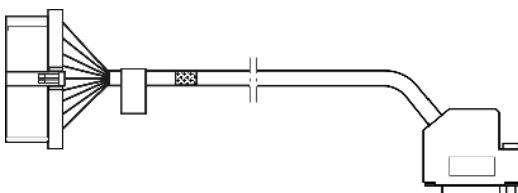
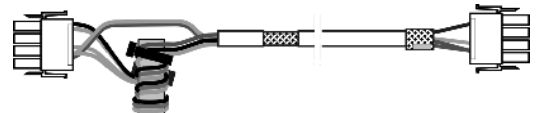

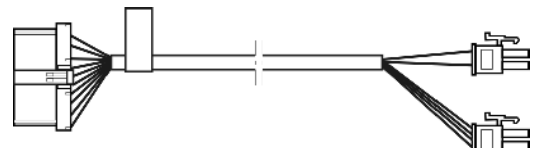

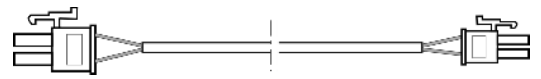
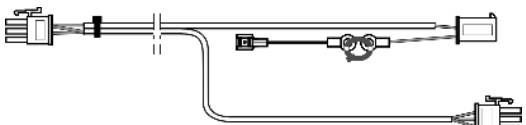

You will find the circuit diagram 223 on the CMS documentation DVD with the ID no. 257 157



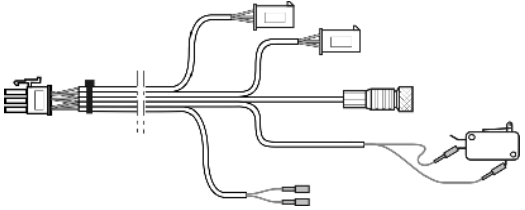
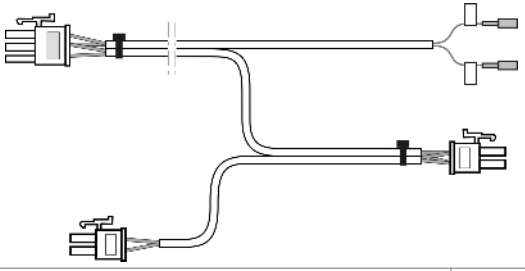
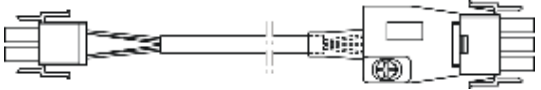
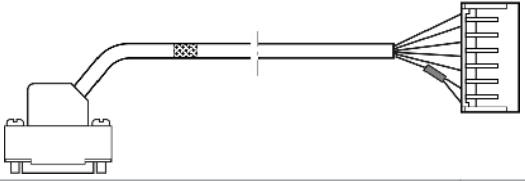

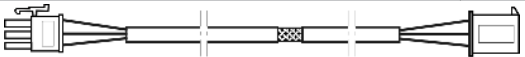

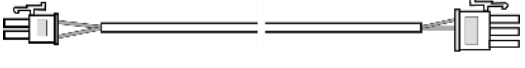

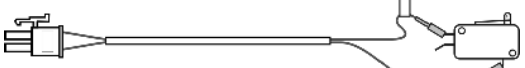
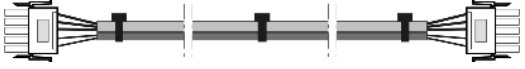
13.2 Trailing cable

Designation	Id	Designation	Id
Trailing cable set 520HP 2IMP	264 937		
Cable carriage at the rear XR332 420 ECO2	252 007	Cable impulse sensor OH at the rear XR136_502 BM2	264 587
Cable carriage at the rear XR333 420 ECO2	252 008	Cable impulse sensor OH at the front XR137_502 BM2	264 588
			
Cable yarn carrier 420 XR161 ECO2	252 059		
			


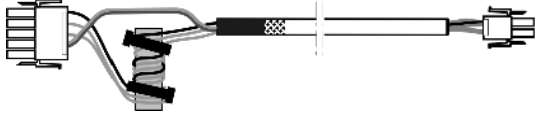

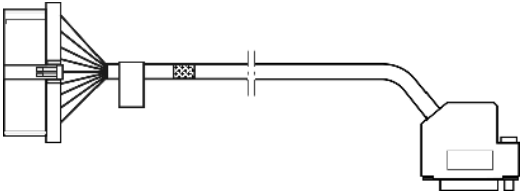
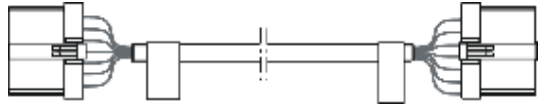

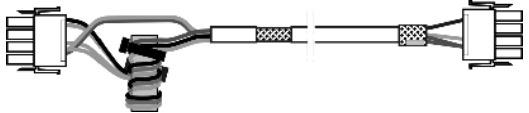

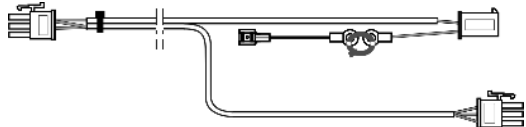
13.3 Cable set installation part 1

Designation	ID	Designation	ID
Σ Cable installation OKC5	265 560		
Cable drive motor GA	262 235	Limit switch racking OKC 3XX	240 292
Cable racking motor GA	262 237		
		Cable Engaging rod ECO2	252 538
Cable resolver drive OKC5	262 236		
		Transformer cable XT7 servo	261 350
Cable resolver racking EKC	270 037		
		Cable sensor HIAB OKC5	265 698
Cable fan drive 3XX OKC	240 293		
		Cable switch auxiliary take-down OKC5	265 677
Cable protective device on the right OKC5	265 694		
Cable protective device on the left OKC5	265 695		
			
Lighting LED OKC5	265 675		
			


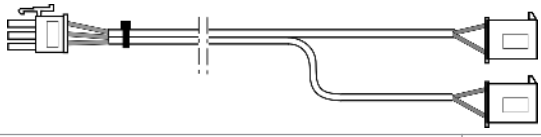
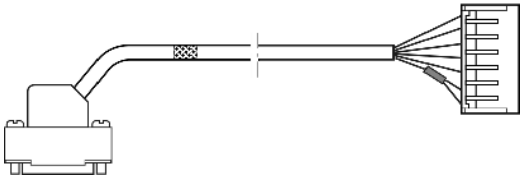
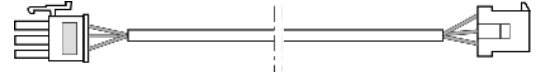
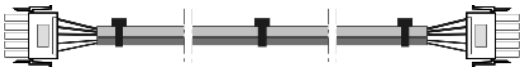
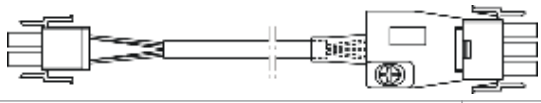
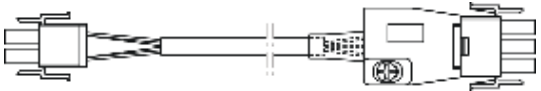
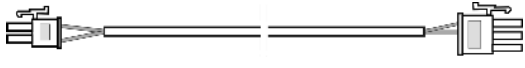
13.4 Cable set installation part 2

Designation	ID	Designation	ID
Σ Cable installation OKC5	265 560		
Cable switch comb OKC5	262 241	Cable switch main take-down OKC5	262 240
			
Cable resolver comb	260 327	Cable Feed wheel on the right OKC 3XX	240 294
Cable resolver HAAB	260 325		
		Transformer cable XT9 power supply unit	261 351
Cable power comb	260 326		
Cable power HAAB	260 324	Cable supply FKE lamp OKC5	266 268
			
Cable power auxiliary take-down OKC5	265 676	Cable of right cover OKC5	265 696
Cable power comb hook	260 328		
			
Cable of comb hook switch OKC5	262 239		
			
Transformer XT9 cable power supply unit	261 351		
			

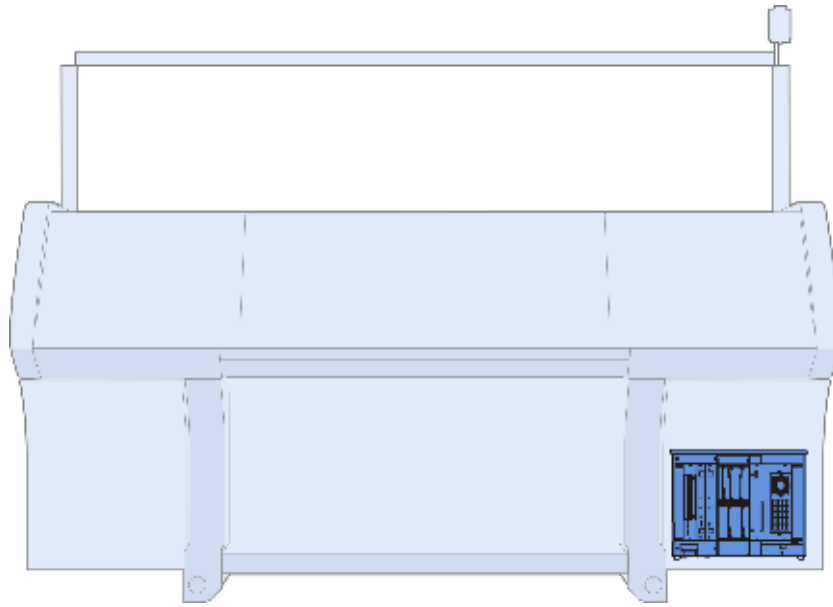
13.5 Cable set installation part 1, belt take-down

Designation	ID	Designation	ID
Σ Cable installation 5XX OKC5 BA	267 951		
Cable drive motor GA	262 235	Lighting LED OKC5	265 675
Cable racking motor GA	262 237		
		Limit switch racking OKC 3XX	240 292
Cable resolver drive OKC5	262 236		
		Cable Engaging rod ECO2	252 538
Cable resolver racking EKC	270 037		
		Transformer cable XT7 servo	261 350
Cable fan drive 3XX OKC	240 293		
			
Cable protective device on the right OKC5	265 694		
Cable protective device on the left OKC5	265 695		
			

13.6 Cable set installation part 2, belt take-down

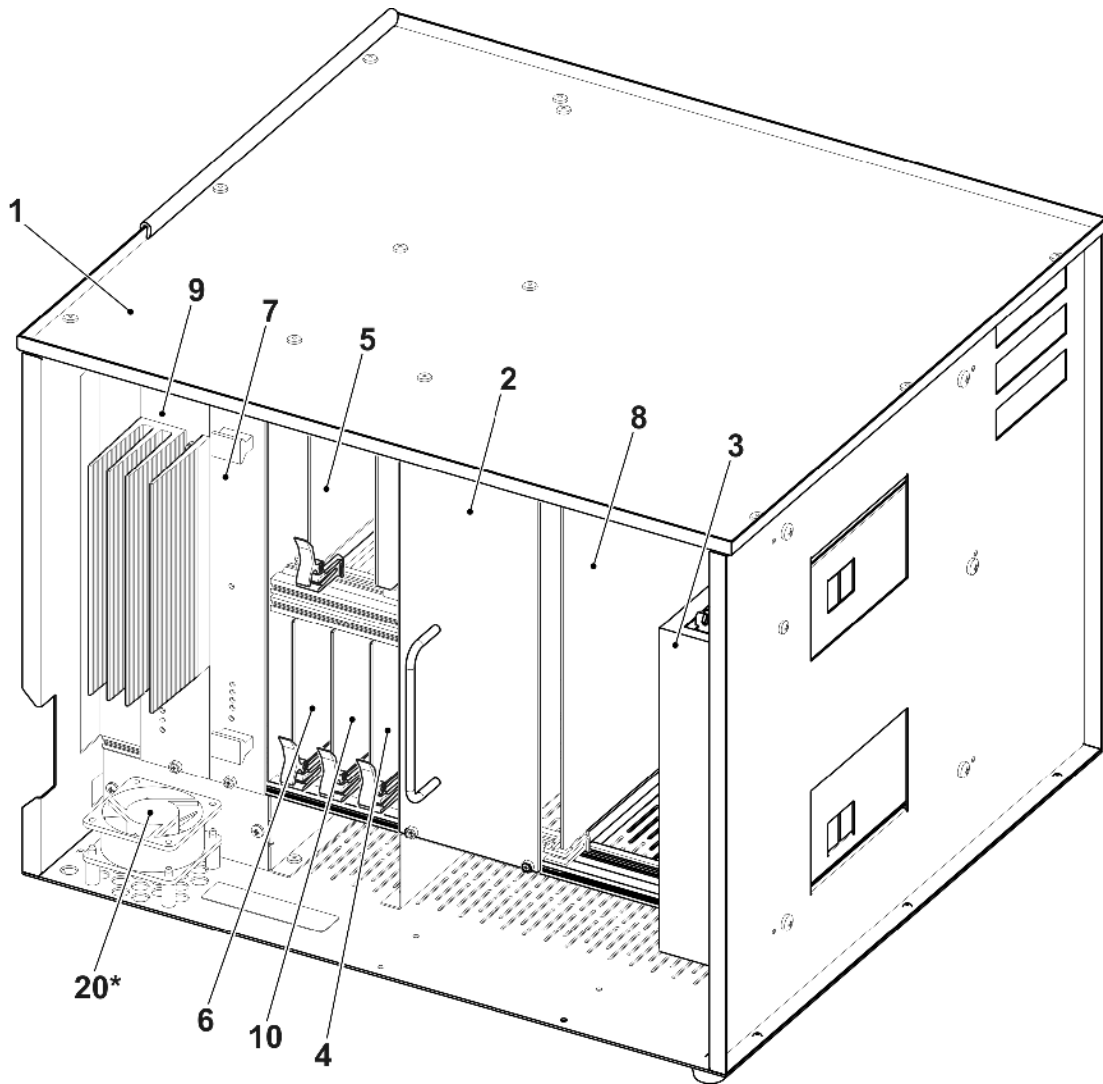
Designation	ID	Designation	ID
Σ Cable installation 5XX OKC5 BA	267 951		
Cable power HAAB	260 324	Cable between switch and winding plate OKC5 BA	267 952
			
Cable resolver HAAB	260 325	Cable supply FKE lamp OKC5	266 268
			
Transformer cable XT9 power supply unit	261 351	Cable Feed wheel on the right OKC 3XX	240 294
			
Cable feed wheel on the left 50" OKC	240 464	Cable of right cover OKC5	265 696
			

14 Control electronics

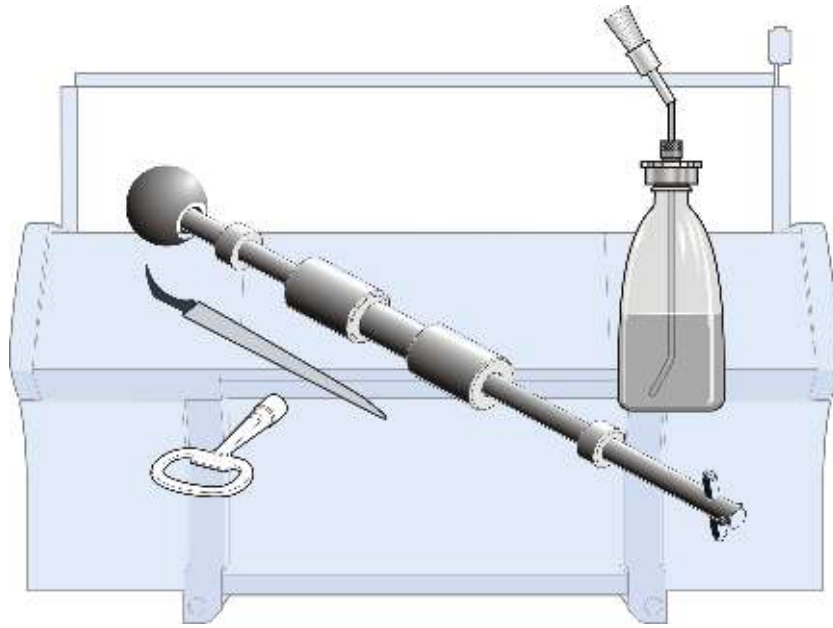


14.1 Control cabinet

Pos	Designation	Id	Pos	Designation	Id
Σ	Control unit complete	269 696	6	Card Power CPU B	301 009
1	Control unit on the right without equip- ment	270 251	7	I/O card	301 023
2	Power supply unit JSE10	301 020	8	Card WASERVO	301 018
3	Battery plug-in unit complete	301 027	9	Card Servo 7 HUV	301 041
4	Card final stages 6SM	301 040	10	Card N-CPU 432	300 965
5	Card IPC P12 XP	301 039	20*	Axial blower Servo	229 059



15 Accessories

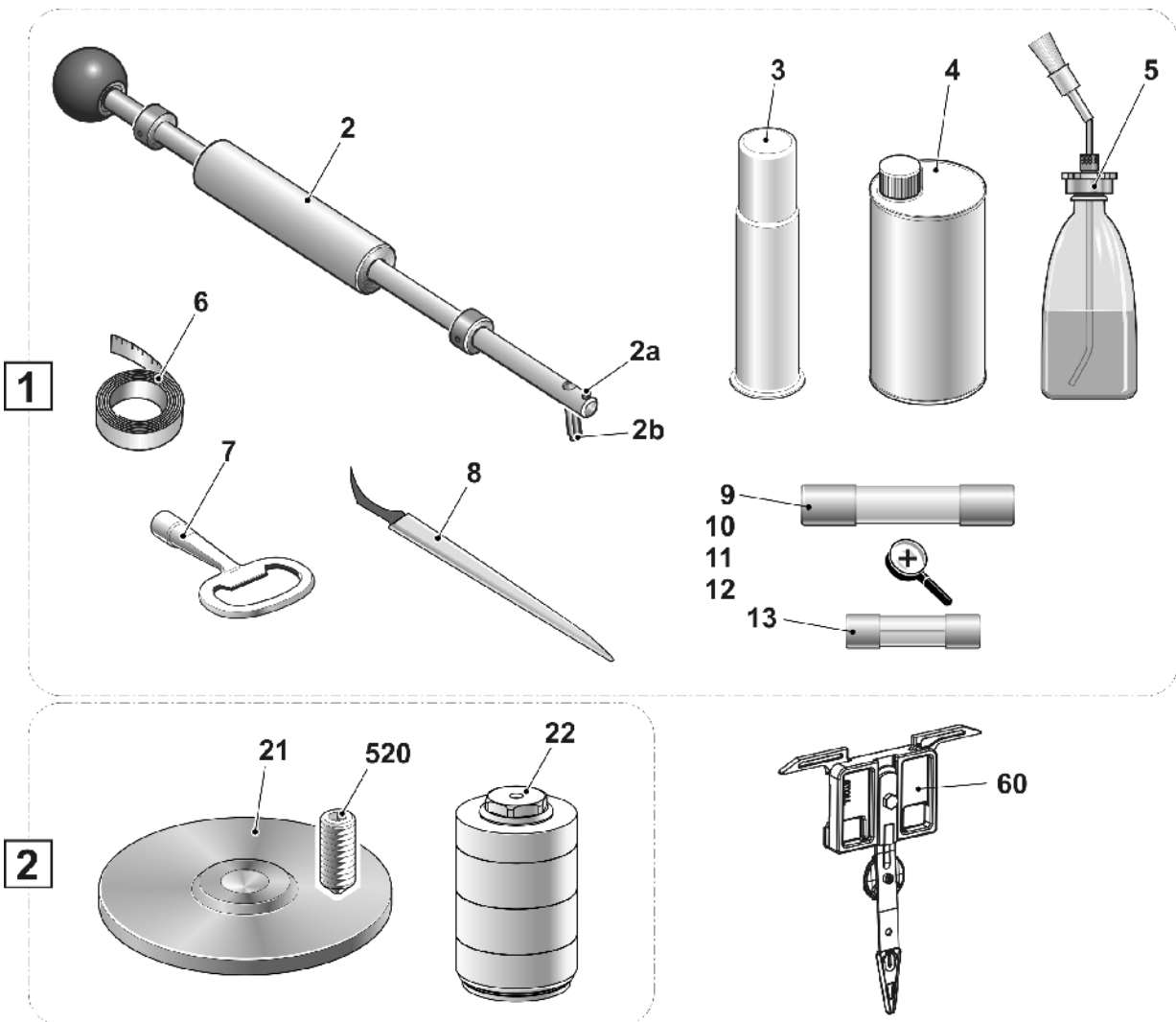


You can order the following tools, lubricants and expendables.

The following list does not always correspond to the scope of delivery of the knitting machine.

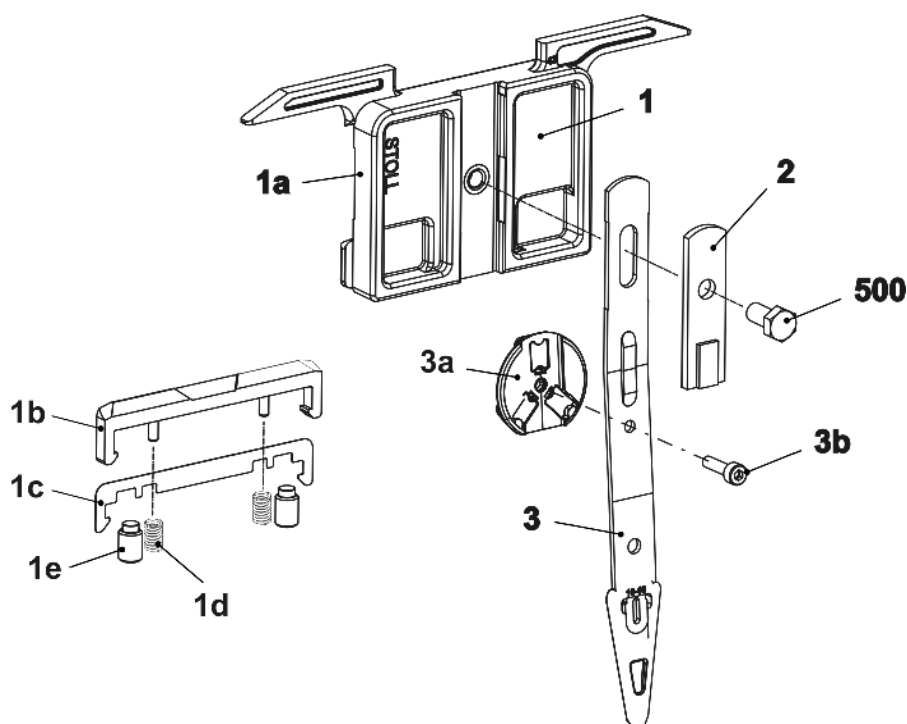
15.1 Accessories standard

Pos	Designation	Id	Pos	Designation	Id
Σ1	Accessories standard part 1, E5-14	268 413			
	Accessories standard part 1, E16-18+8.2+9.2	268 414			
2	Extraction hook	232 027	10	Fuse 8A T 440V 6,3x32	241 866
	2a Small pin	202 843	11	Fuse FKS 20A/80V	267 336
	2b Pencil	232 022	12	Fuse 1A T 440V 6,3x32	209 321
3	Grease Stoll Grease 0475, 150g	270 721	13	Fuse F1, 0A	008 748
4	Textile machine oil		Σ2	Accessories standard part 2	265 183
	Stolltex T 46, 1l (E5-14)	268 621	21	Shim	056 569
	Stolltex T 32, 1l (E16-18+8.2+9.2)	268 620	22	Signal light LED	240 395
5	Oil combifix	216 732	520	Setscrew M16x40	244 061
6	Measuring tape L=150cm	228 180			
7	Key of switch cabinet	009 346	60	Plating yarn carrier complete E10-18 (EW 43)	269 866
8	Working hook	227 249		Plating yarn carrier complete E7-8, 6.2 (EW 46)	269 865
9	Fuse 1,6A T 440V 6,3x32	236 229		Plating yarn carrier complete E5 (EW 46)	269 864

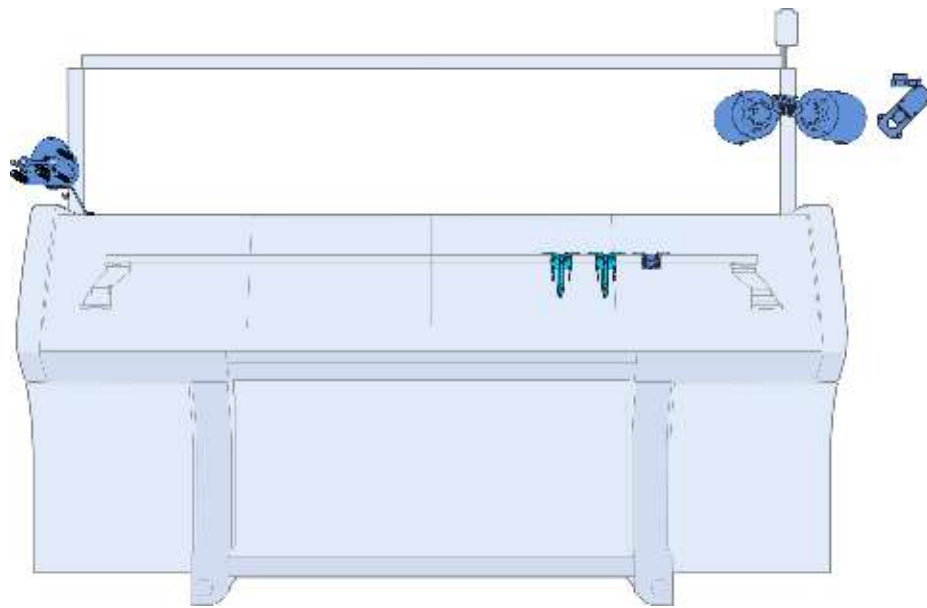


15.2 Carriage of plating yarn carrier

Pos	Designation	ID	Pos	Designation	ID	
Σ	Plating yarn carrier complete E10-18 (EW 43)	269 866	2	Shim	213 035	
	Plating yarn carrier complete E7-8, 6.2 (EW 46)	269 865	3	FF bow E10-18 (4+5)	223 202	
	Plating yarn carrier complete E5 (EW 46)	269 864		FF bow E7-8, 6.2 (4+5)	212 997	
1	FF carriage complete E10-18 (EW 43)	257 241		FF bow E5 (4+5)	212 910	
	FF carriage complete E5-8 (EW 46)	244 253	3a	Yarn guide star	209 257	
	1a	FF carriage E10-18 (EW 43)	257 240	3b	Pan head screw M3x10	023 032
		FF carriage E5-8 (EW 46)	243 881	500	Hexagon screw M5x10	020 351
	1b	Sliding piece	212 583			
	1c	Shim	216 143			
	1d	Compression spring 4,0x0,55x11	021 399			
	1e	Threaded bolt	213 399			

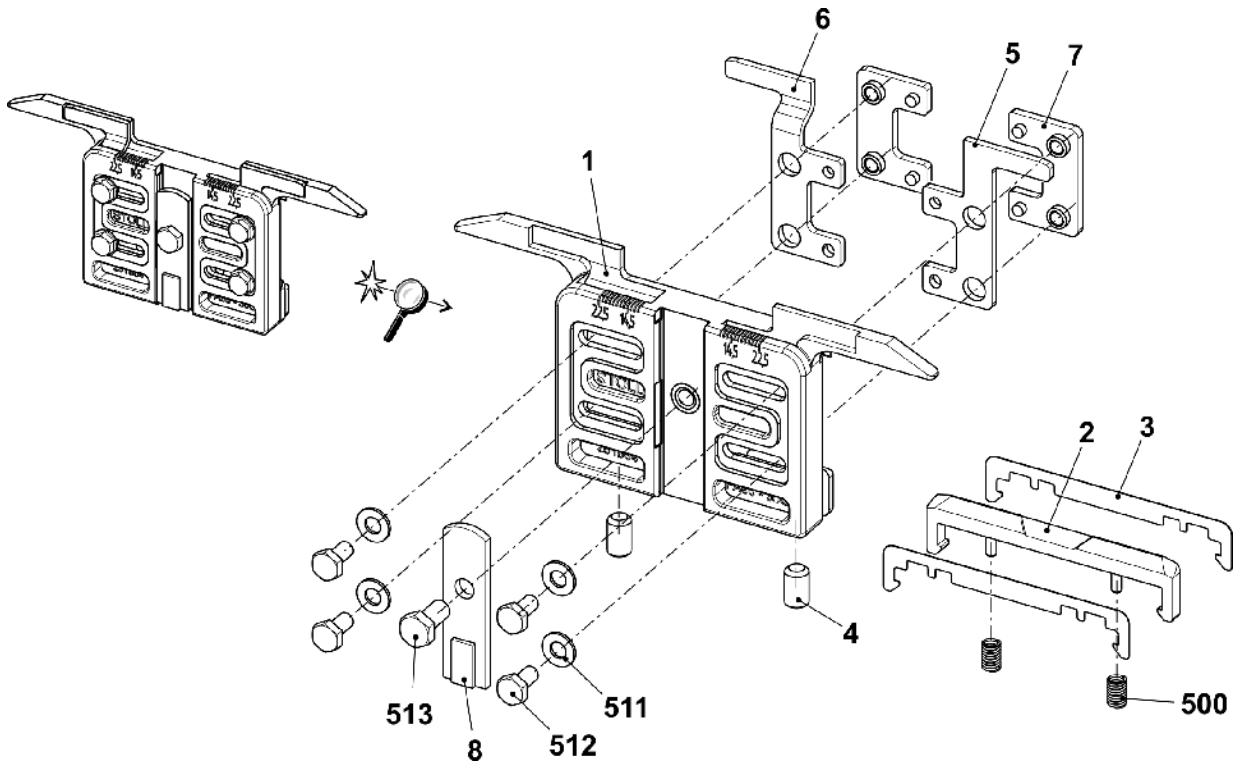


16 Special attachment



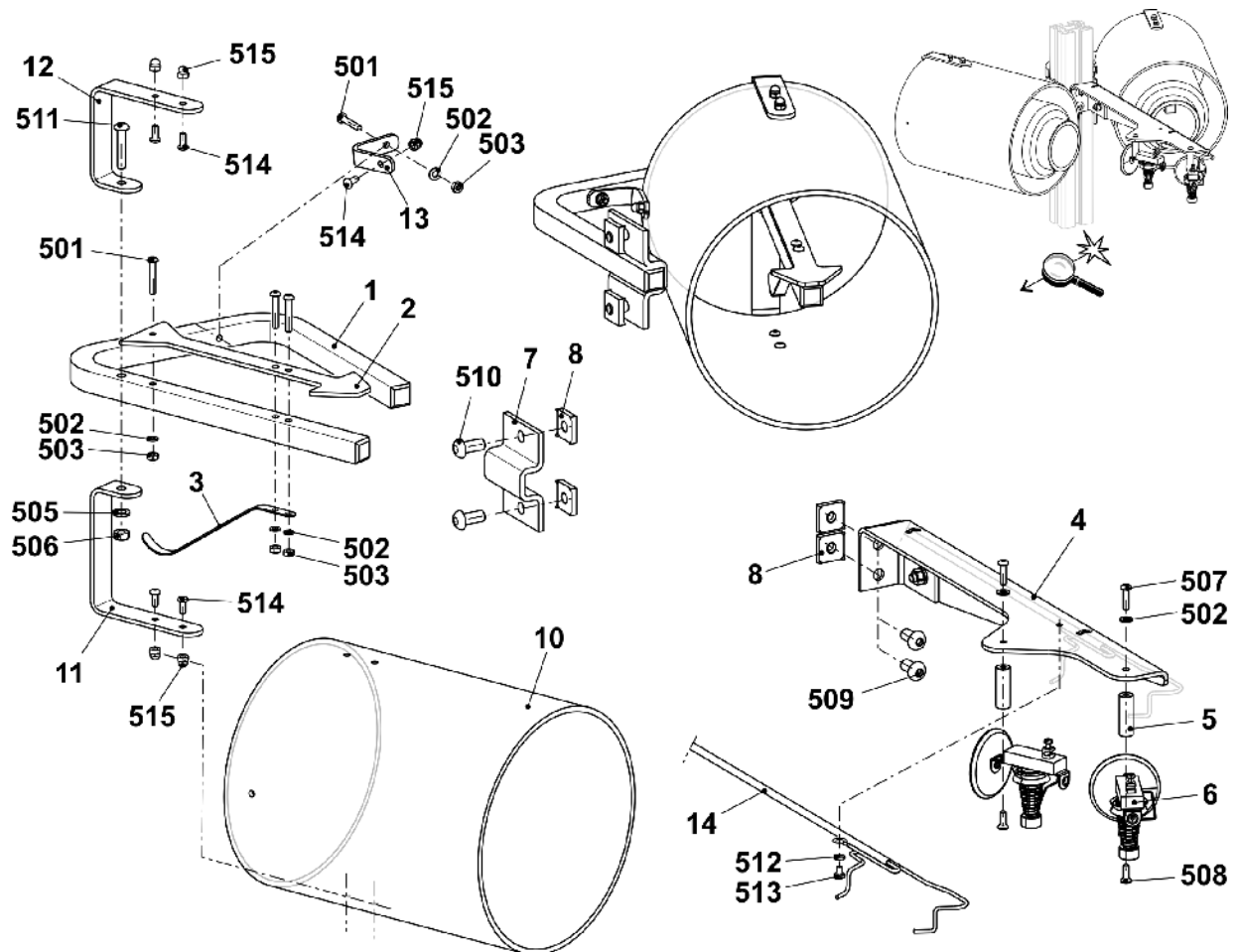
16.1 Carriage of plating yarn carrier (adjustable)

Pos	Designation	Id	Pos	Designation	Id
Σ	Plating yarn carrier carriage complete	251 867			
1	Carriage of yarn carrier	251 864	7	Guide part	253 226
2	Sliding piece	212 583	8	Shim	213 035
3	Shim	216 143	500	Compression spring	021 399
4	Threaded bolt	213 399	511	Washer 4	022 481
5	Insert on the right	251 866	512	Hexagon screwM4x8	022 461
6	Insert on the left	251 865	513	Hexagon screwM5x10	020 351



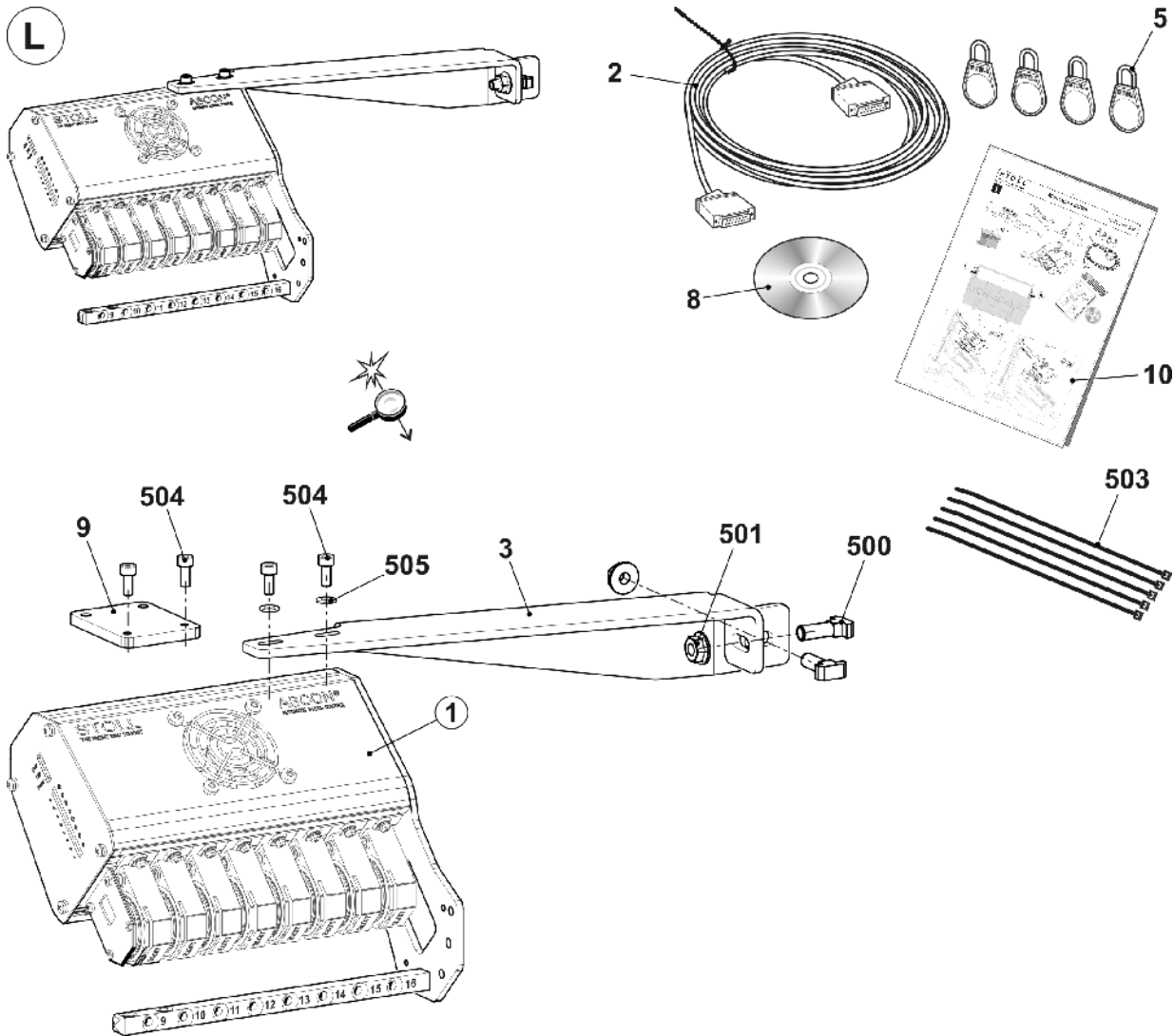
16.2 Bobbin holder on the right

Pos	Designation	ID	Pos	Designation	ID
Σ	Bobbin holder on the right	253 966	501	Pan-head screw M4x25	023 511
1	Support	253 969	502	Washer 4	022 481
2	Support	252 769	503	Hexagon nut M4-6	022 536
3	Leaf spring	253 350	505	Washer 6	022 431
4	Support right	253 348	506	Hexagon nut M6-6	022 899
5	Spacer	253 349	507	Pan-head screw M4x16	023 412
6	Yarn detector Massardi	226 964	508	Pan-head screw M4x12	023 062
7	Clamp	228 583	509	Pan-head screw M8x16	023 113
8	Slot nut	228 851	510	Pan-head screw M8x18	251 331
10	Cover	253 968	511	Pan-head screw M6x30	023 451
11	Holding angle	253 964	512	Serrated lock washer A4,3	022 482
12	Holding angle	253 963	513	Pan-head screw M4x6	022 946
13	Holding angle	253 967	514	Pan-head screw M4x10	023 450
14	Cable plating	253 468	515	Cap nut M4-6	253 805



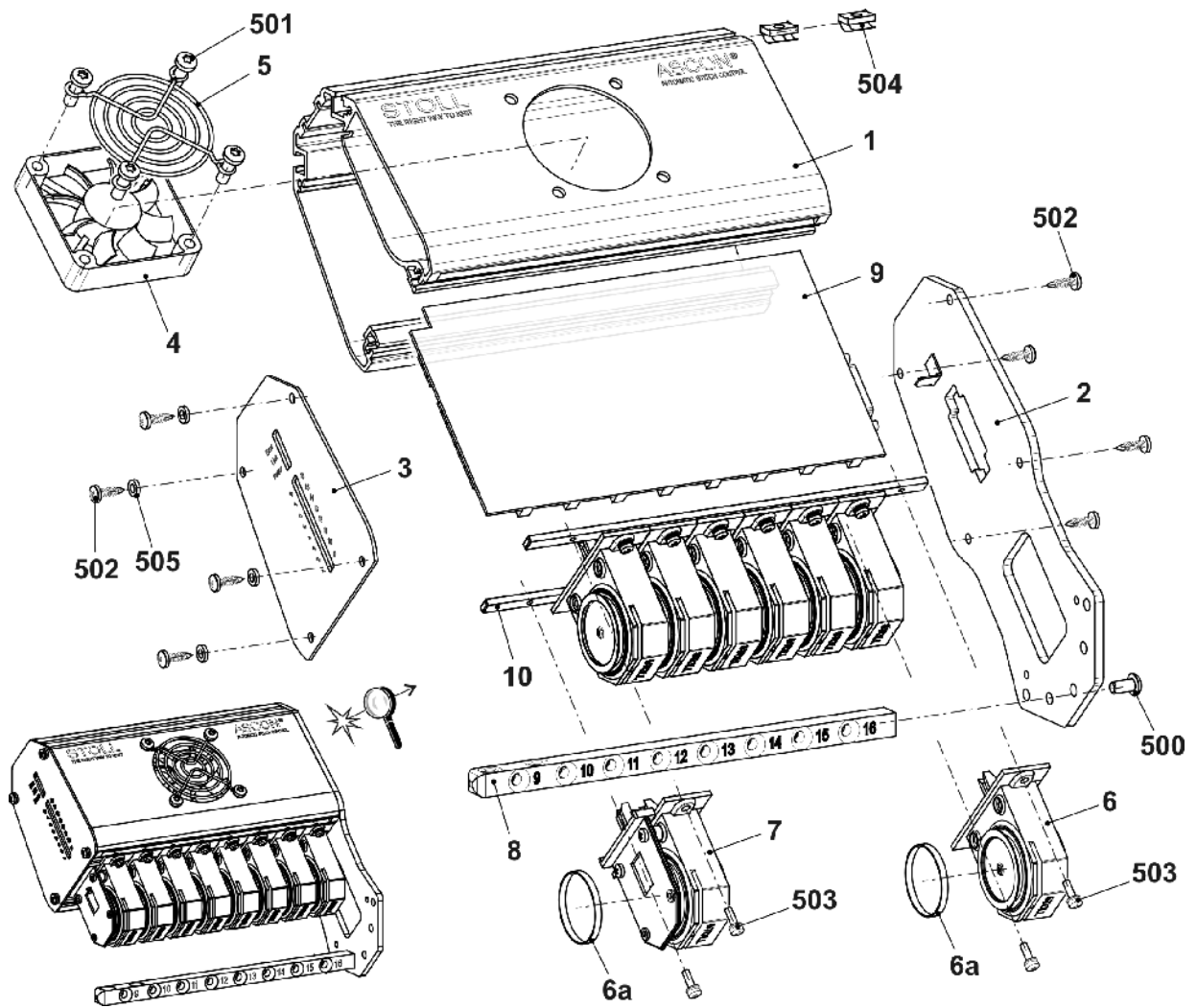
16.3 Yarn length measuring device on the left complete

Pos	Designation	Id	Pos	Designation	Id
Σ	Yarn length measuring device on the left complete	265 391			
1	Yarn length measuring device on the left complete	257 283	10	Operating instructions of ASCON assembly	266 069
2	Cable ASCON	257 239	500	T-head bolt M8x25	022 866
3	Support on the left	265 046	501	Serrated nut M8-10	023 026
5	Adjustment weight	212 241	503	Cable tape 302x4,8	008 642
8	DVD with operating instructions	258 391	504	Cap screw M5x12	020 132
9	Holding plate	258 386	505	Washer 5	020 871



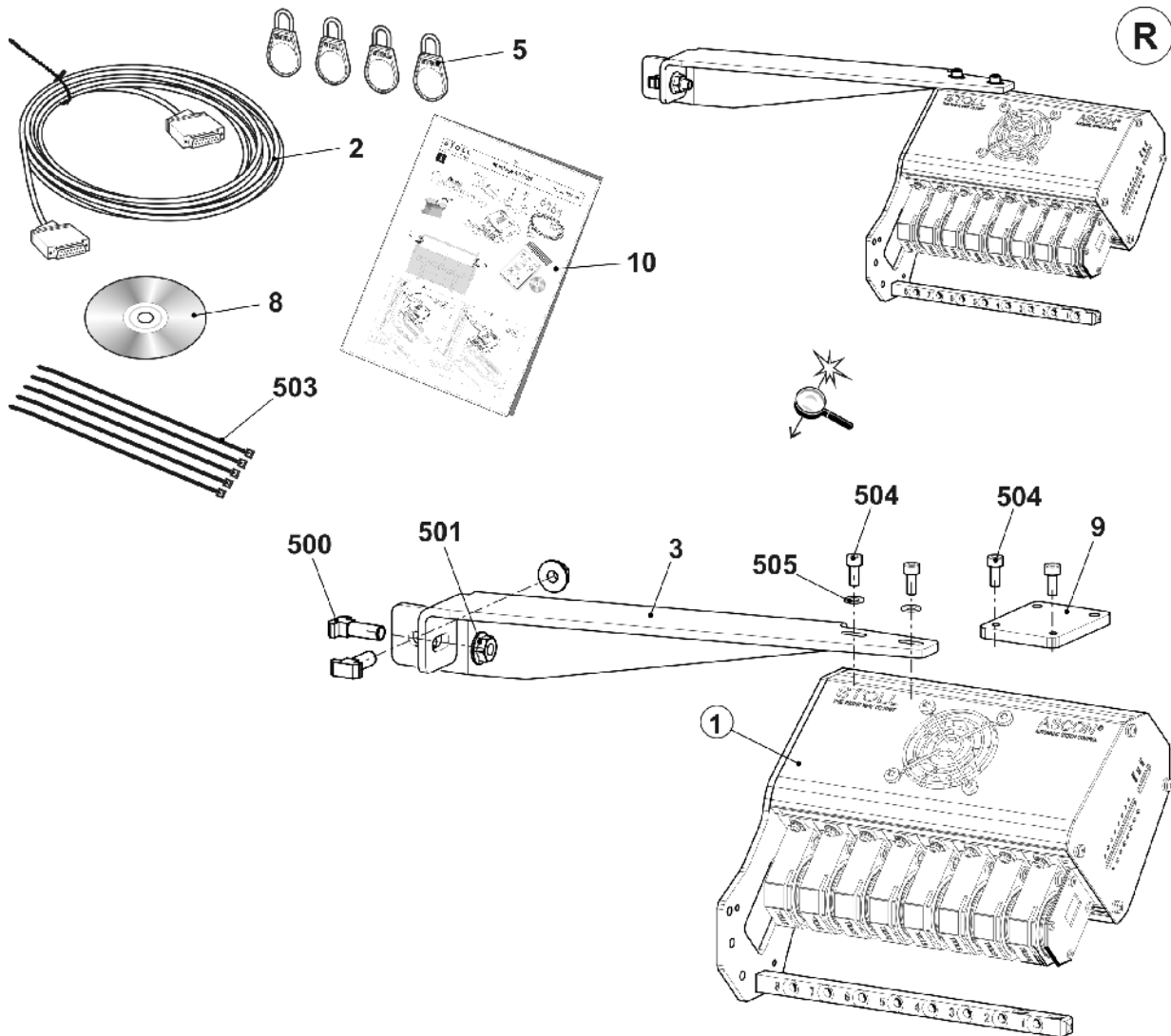
16.3.1 Yarn length measuring device

Pos	Designation	Id	Pos	Designation	Id
Σ	Yarn length measuring device on the left complete	257 283	8	Yarn guide rod	257 139
1	Housing	257 281	9	Card Ascon	255 000
2	Support	257 278	10	Threaded strip	257 138
3	Cover	257 273	500	Pan-head screw M5x10	023 247
4	Fan with plug	257 048	501	Screw 50x15	251 728
5	Protective grid fan Servo5	229 142	502	Sheet metal screw ST3,5x13	022 940
6	Sensor	211 354	503	Oval head screw with washer M3x10	023 380
6a	Rubber running ring	258 582	504	Spring nut M5	022 873
7	Sensor complete	212 406	505	Serrated lock washer J3,7	022 554



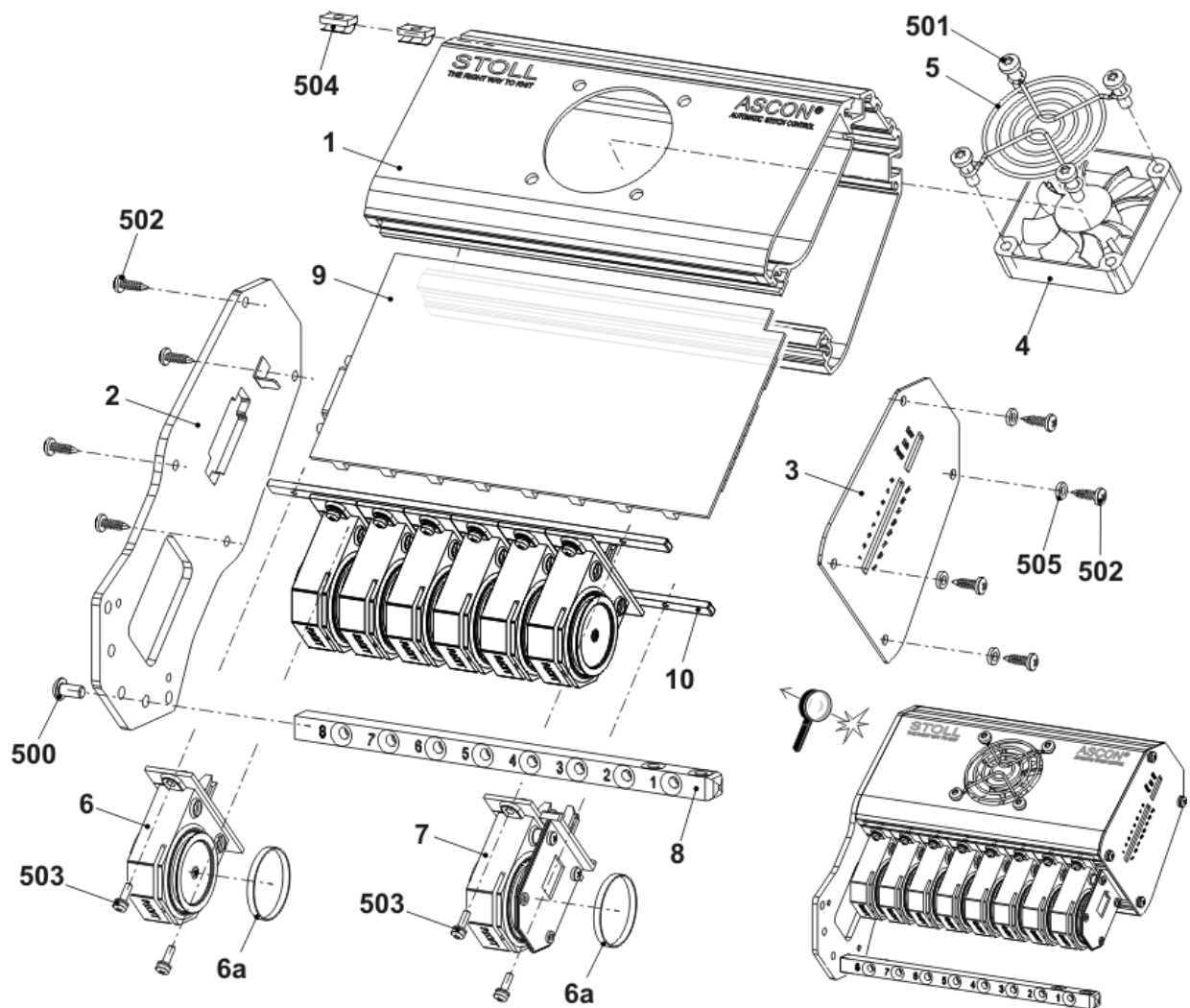
16.4 Yarn length measuring device on the right complete

Pos	Designation	Id	Pos	Designation	Id
Σ	Yarn length measuring device on the right complete	265 392			
1	Yarn length measuring device on the right complete	257 282	10	Operating instructions of ASCON assembly	266 069
2	Cable ASCON	257 239	500	T-head bolt M8x25	022 866
3	Support right	265 045	501	Serrated nut M8-10	023 026
5	Adjustment weight	212 241	503	Cable tape 302x4,8	008 642
8	DVD with operating instructions	258 391	504	Cap screw M5x12	020 132
9	Holding plate	258 386	505	Washer 5	020 871



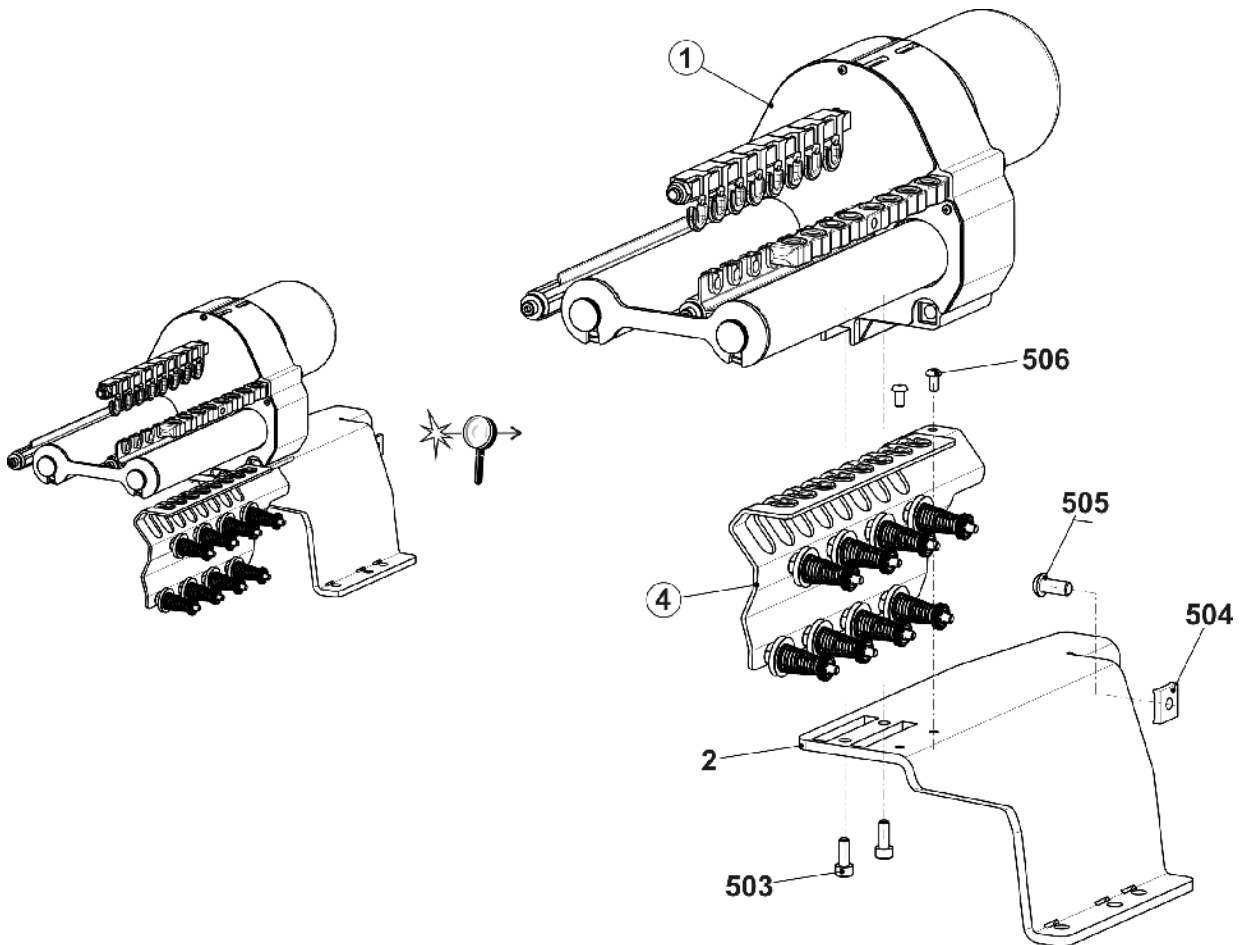
16.4.1 Yarn length measuring device on the right

Pos	Designation	Id	Pos	Designation	Id
Σ	Yarn length measuring device on the right complete	257 282	8	Yarn guide rod	257 139
1	Housing	257 281	9	Card Ascon	255 000
2	Support	257 278	10	Threaded strip	257 138
3	Cover	257 273	500	Pan-head screw M5x10	023 247
4	Fan with plug	257 048	501	Screw 50x15	251 728
5	Protective grid fan Servo5	229 142	502	Sheet metal screw ST3,5x13	022 940
6	Sensor	211 354	503	Oval head screw with washer M3x10	023 380
6a	Rubber running ring	258 582	504	Spring nut M5	022 873
7	Sensor complete	212 406	505	Serrated lock washer J3,7	022 554



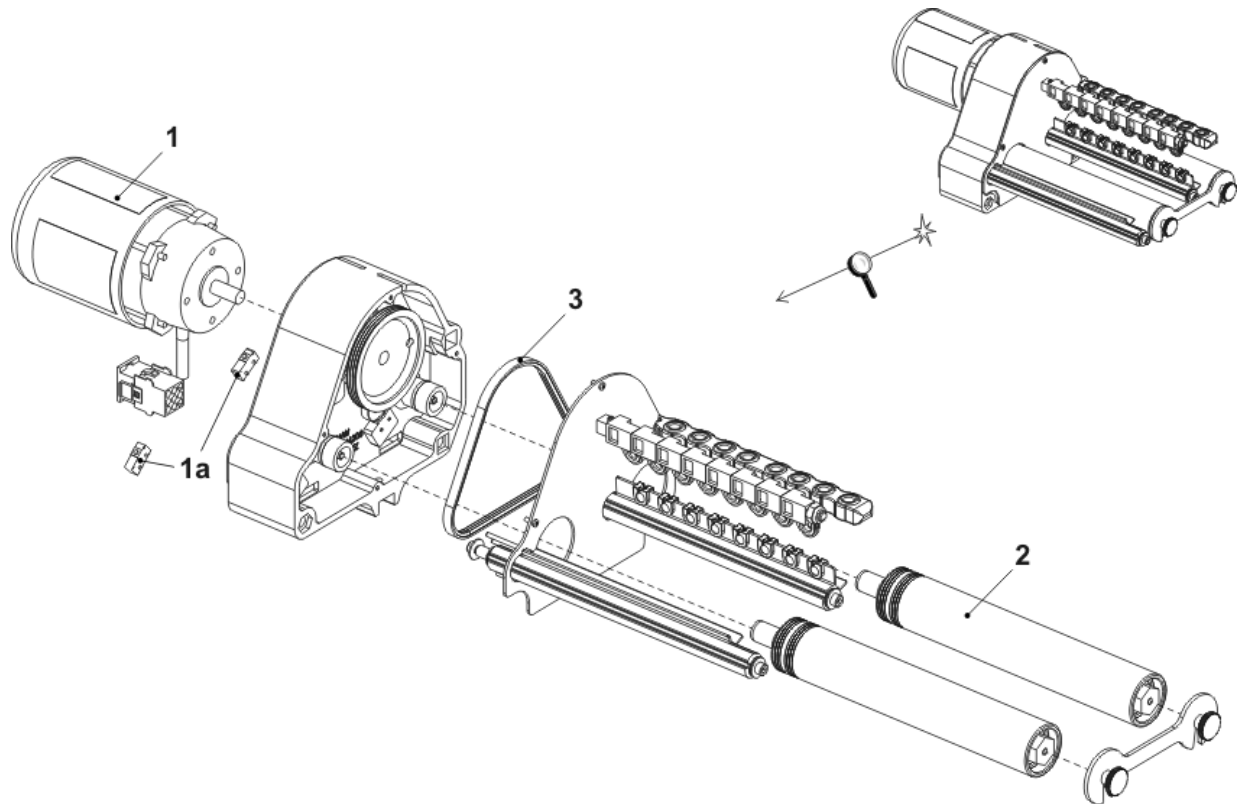
16.5 Friction feed wheel on the left

Pos	Designation	ID	Pos	Designation	ID
ΣL	Friction feed wheel on the left complete E10-18	265 436			
	Friction feed wheel on the left complete E3-8, E6.2	265 437			
1	Friction feed wheel on the left	269 403	503	Cap screw M6x16	020 135
2	Support of left feed wheel	264 453	504	Slot nut	228 851
4	Stopping device on the left E10-18	265 289	505	Pan head screw M8x18	251 331
	Stopping device on the left E3-8, 6.2	265 055	506	Pan head screw M5x10	023 247



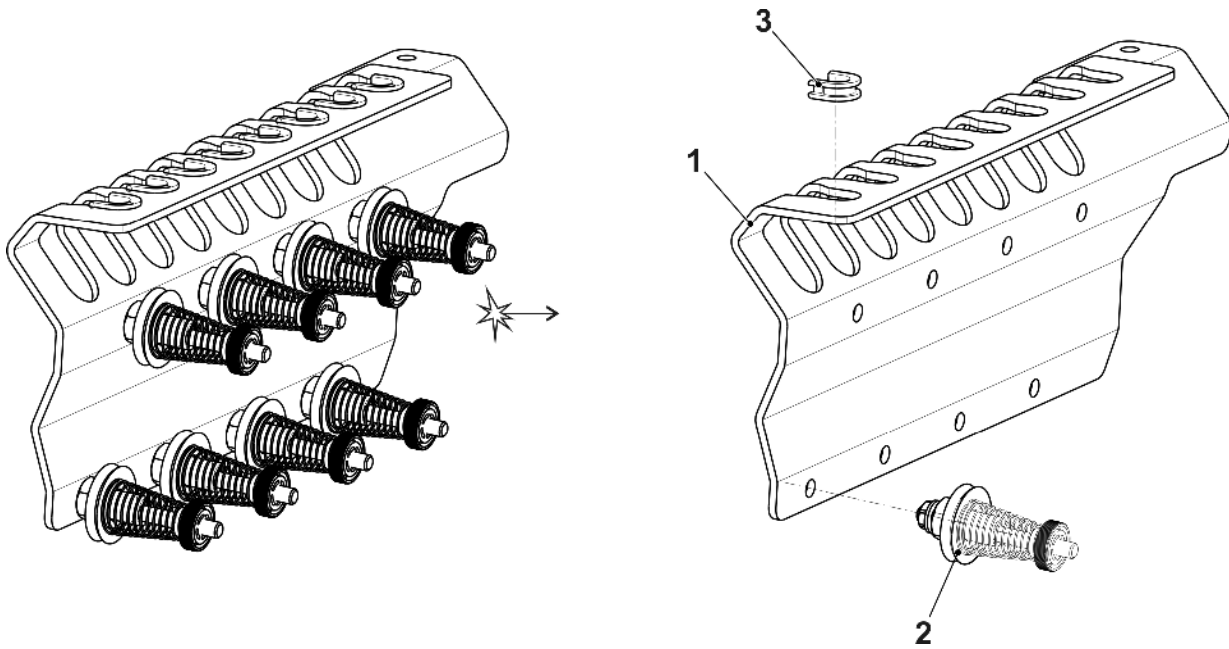
16.5.1 Left friction feed wheel

Pos	Designation	ID	Pos	Designation	ID
Σ	Friction feed wheel on the left	269 403			
1	Three-phase AC motor complete	219 800	2	Friction roller complete	269 400
1a	Micro Switches	008 664	3	Ribbed V-belt V3J 406	206 927



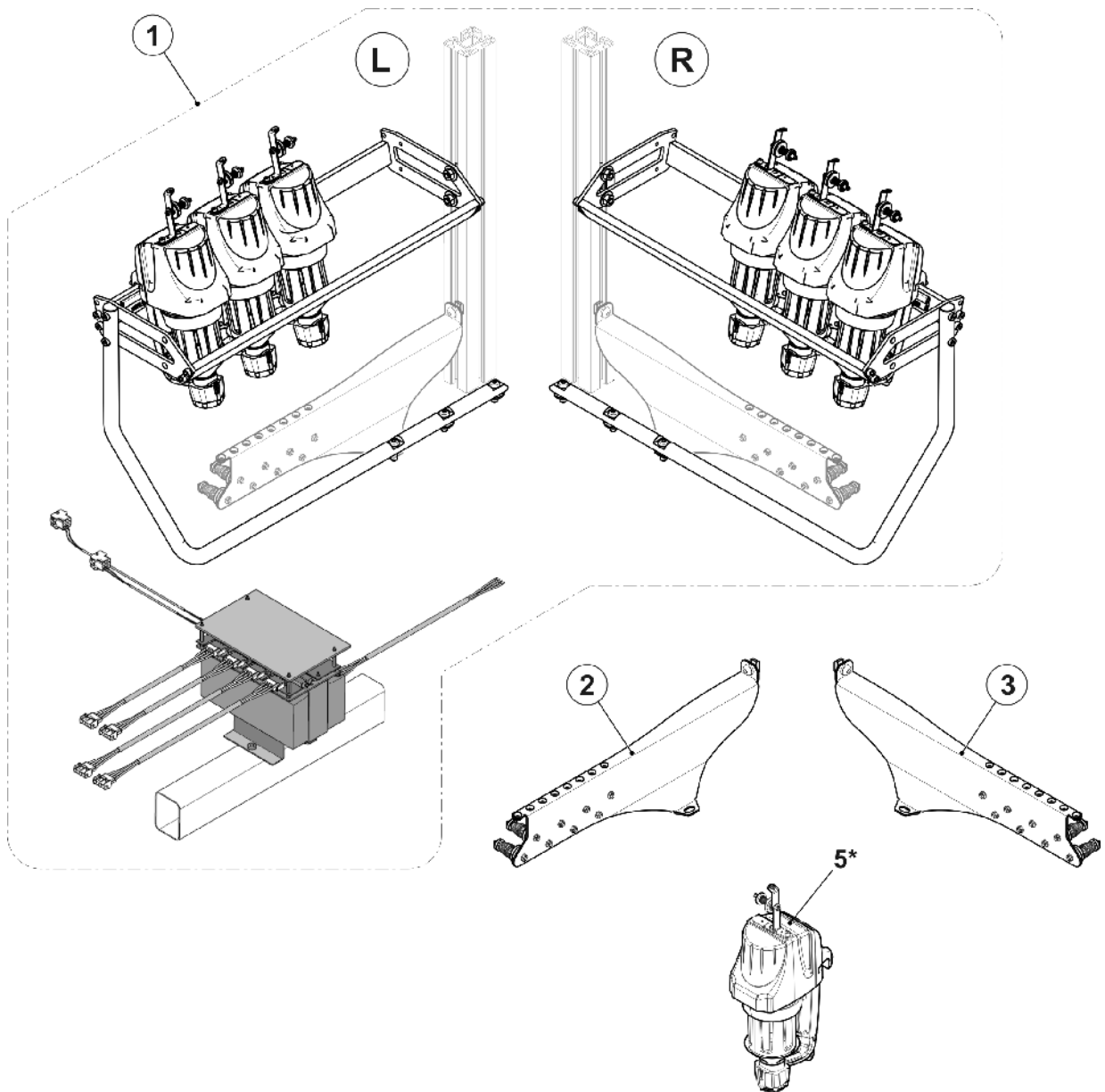
16.5.2 Stopping device on the left

Pos	Designation	Id	Pos	Designation	Id
Σ	Stopping device on the left E10-18	265 289			
	Stopping device on the left E3-8, E6.2	265 055			
1	Stopping device on the left E10-18	265 287	2	Yarn brake E10-18	259 440
	Stopping device on the left E3-8, 6.2	264 993		Yarn brake E5-8, 6.2	264 353
			3	Ceramic eyelet open	240 733



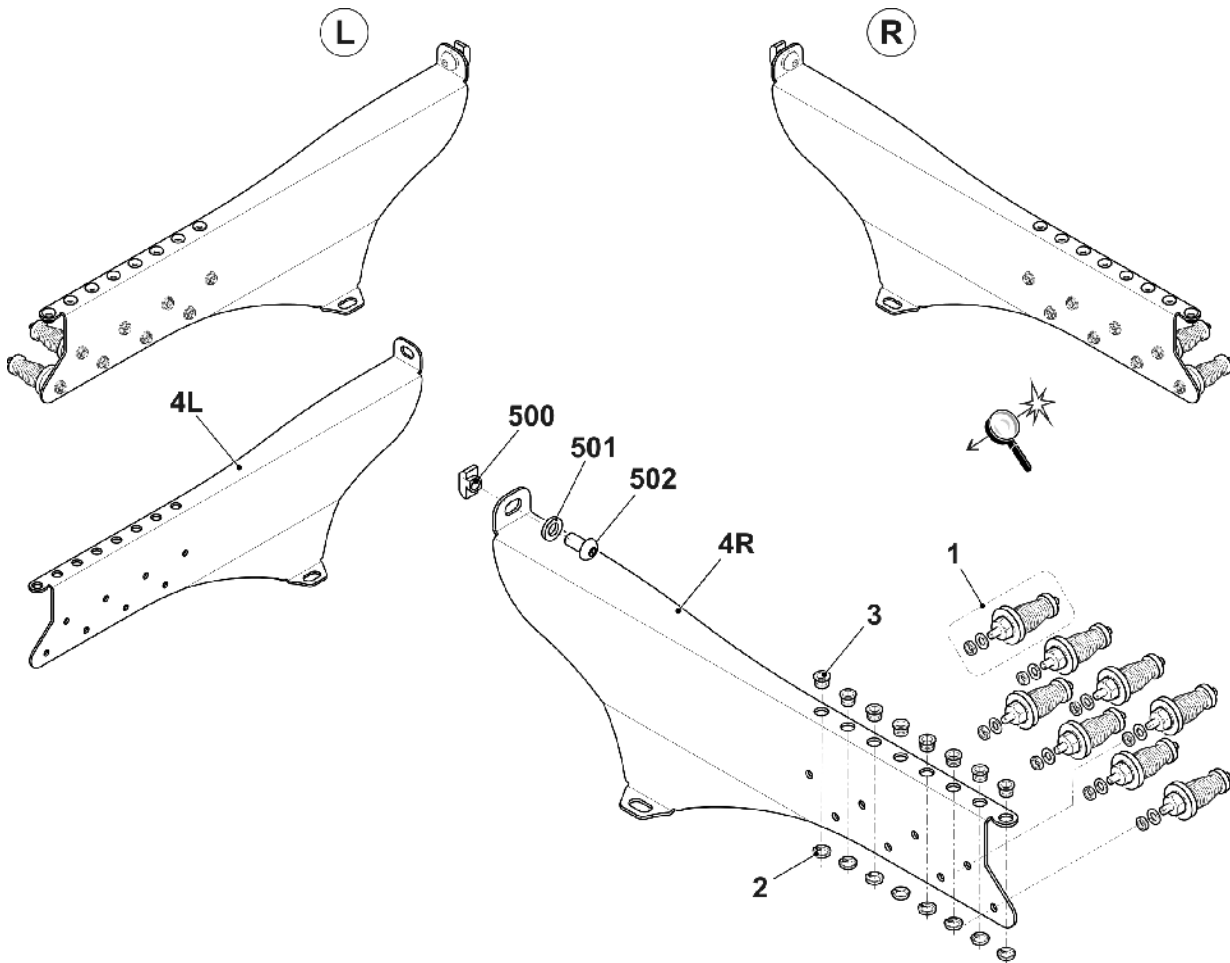
16.6 Storage feed wheel MSF-3 complete E10-18

Pos	Designation	ID	Note
Σ	Assembly kit MSF-3 complete E10-18 EP	268 499	Please order the MSF-3 spare parts at: MEMMINGER-IRO GMBH Jakob-Mutz-Strasse 7 D-72280 Dornstetten Tel.: +49 (0)7443 281-0 Fax: +49 (0)7443 281-101 The item no. and the designation for the MSF-3 spare parts can be found in the enclosed assembling instructions of the company MEMMINGER-IRO.
1	Assembly kit MSF-3 complete single-phase	267 359	
2	Support yarn brake 502 complete	260 727	
3	Stopping device on the right complete E10-18	265 599	
5*	Storage feed wheel	259 604	



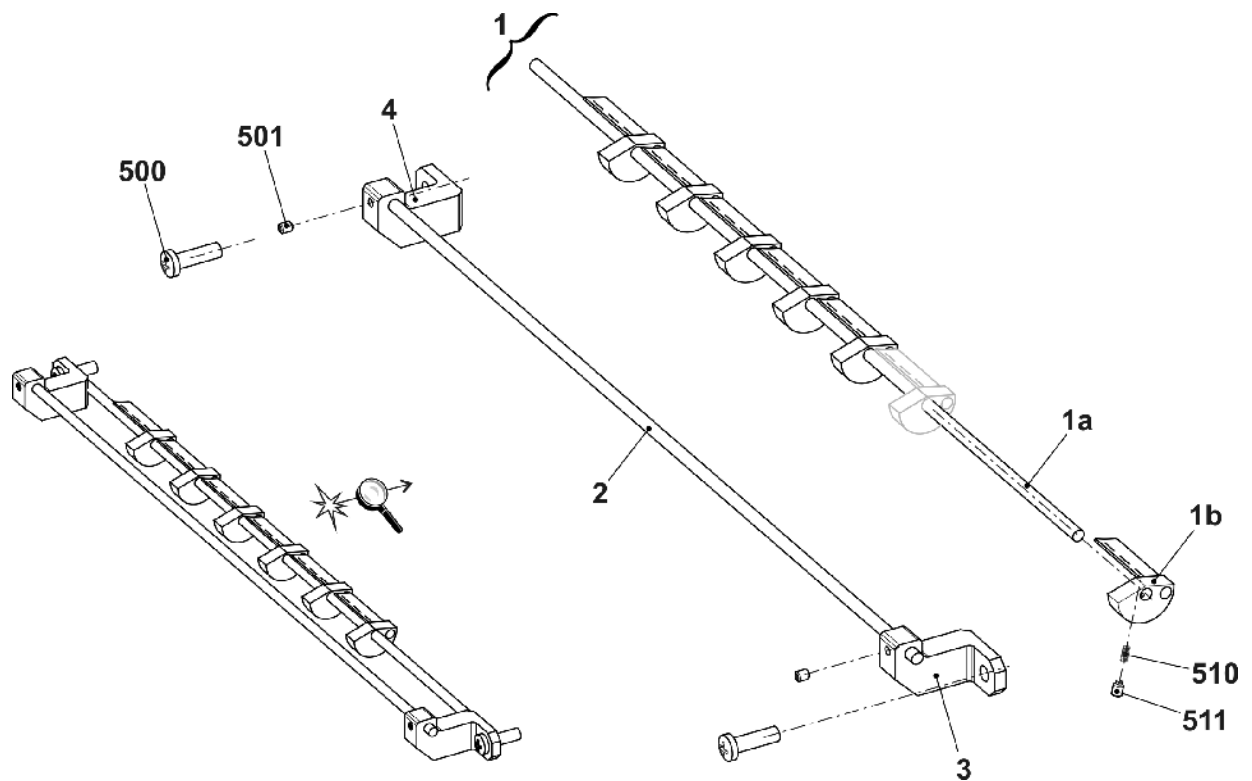
16.6.1 Stopping device E10-18

Pos	Designation	Id	Pos	Designation	Id
ΣL	Support yarn brake 502 complete	260 727	ΣR	Stopping device on the right complete E10-18	265 599
1	Yarn brakeE10-18	259 440	1	Yarn brakeE10-18	259 440
2	Clamping ring for sintered ceramics eye	269 606	2	Clamping ring for sintered ceramics eye	269 606
3	Eyelet 4,2	021 502	3	Eyelet 4,2	021 502
4L	Support yarn brake502	260 726	4R	Support right	265 598
500	Hammer-head nut M8	261 845	500	Hammer-head nut M8	261 845
501	Serrated lock washer J8,4	023 388	501	Serrated lock washer J8,4	023 388
502	Pan-head screw M8x16	023 113	502	Pan-head screw M8x16	023 113



16.7 Sanding Paper Brake

Pos	Designation	Id	Pos	Designation	Id
Σ	Conversion kit sanding paper brake	257 674			
1	Axle complete	257 509	2	Shaft	241 318
1a	Shaft	241 318	3	Support sanding paper brake	257 586
1b	Adjusting part	257 508	4	Support sanding paper brake on the left	257 626
510	Compression spring 0,32x2,51x14,20	237 444	500	Screw KB 60x20	237 682
511	Setscrew M4x6	022 955	501	Setscrew M4x5	023 088



16.8 Adjusting plates, Device needle bed complete

Pos	Designation	Id	Pos	Designation	Id
Σ1	Yarn carrier adjusting plate set	266 736			
12	Adjusting plate E16-18	265 064	17	Adjusting plate V 0,25	267 253
13	Adjusting plate E3-4	265 061	18	Adjusting plate V 0,5	258 199
14	Adjusting plate E10-14	265 063	19	Adjusting plate V 1	258 200
15	Adjusting plate E2,5.2-8	265 062	20	Adjusting plate V 1,5	258 201
Σ2	Device needle bed complete	263 625			

