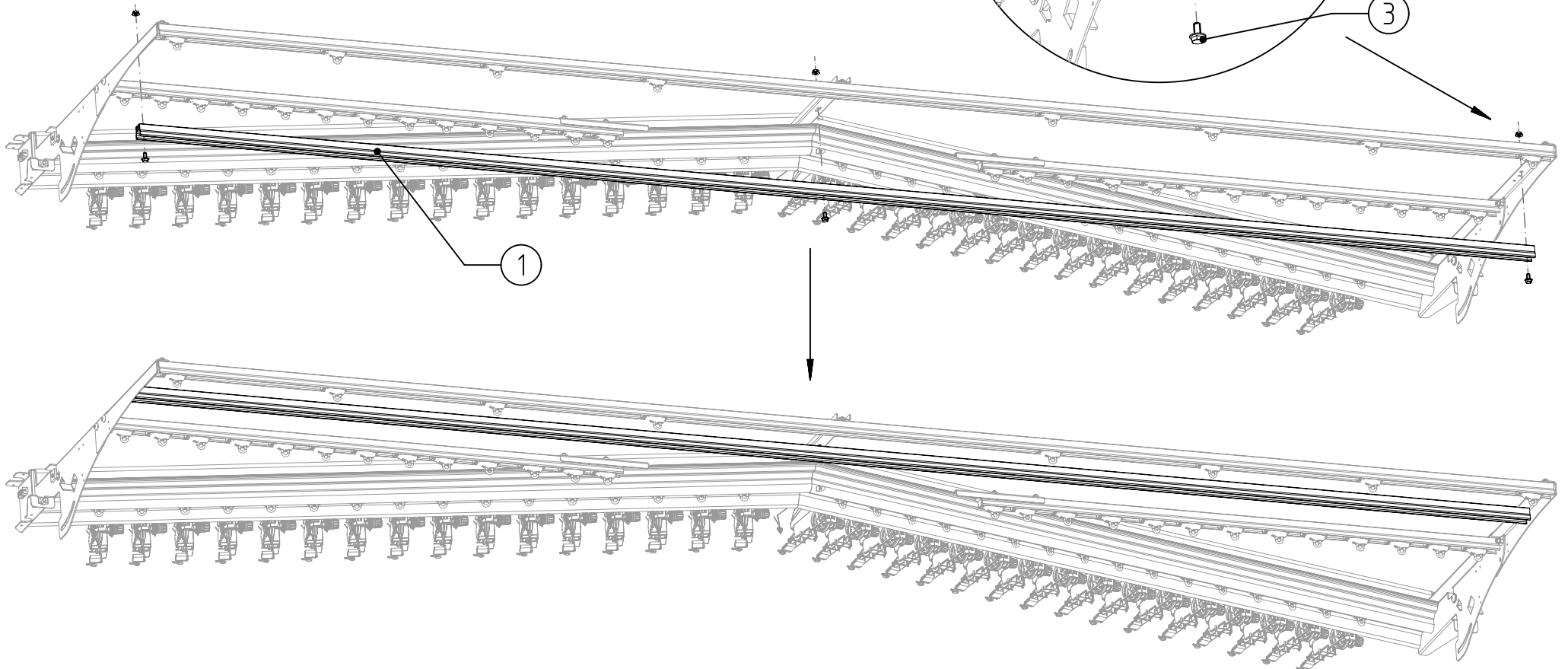
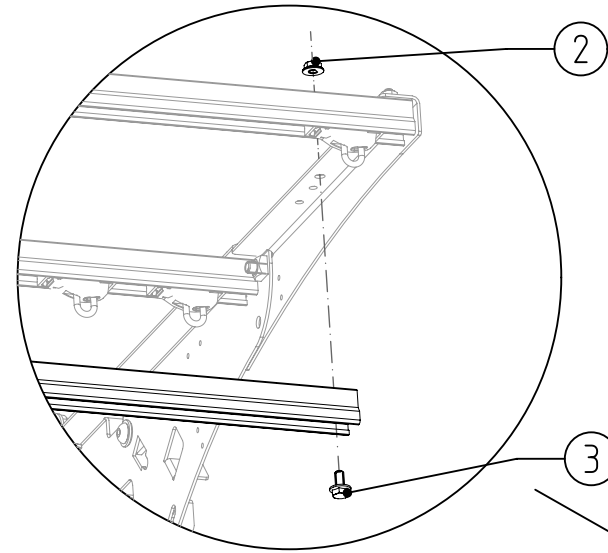


STOLL

ADF YARN GUIDE RAIL

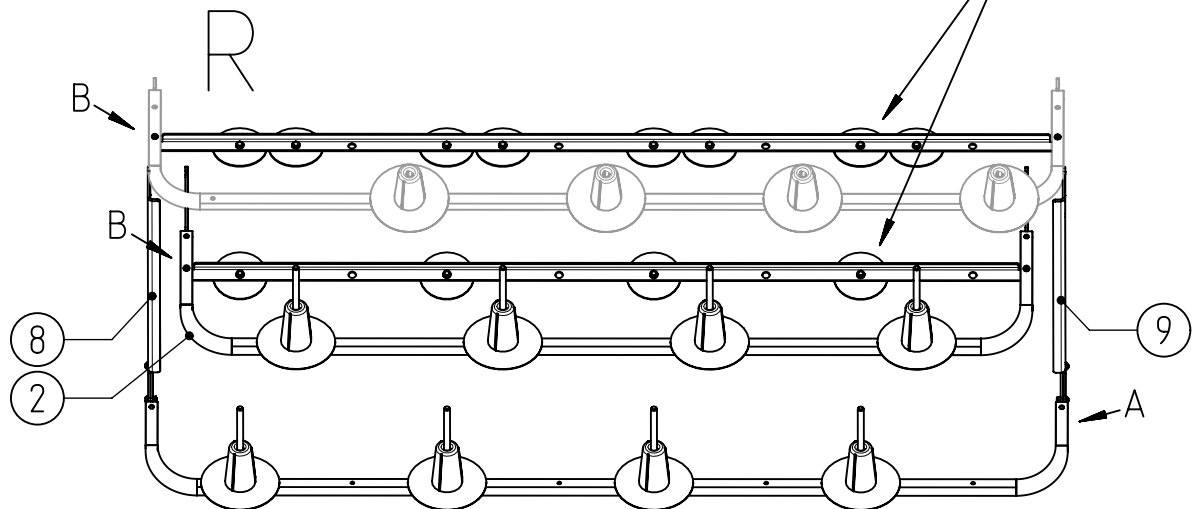
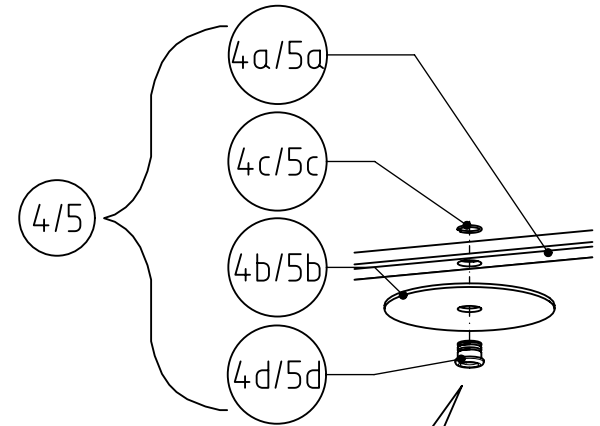
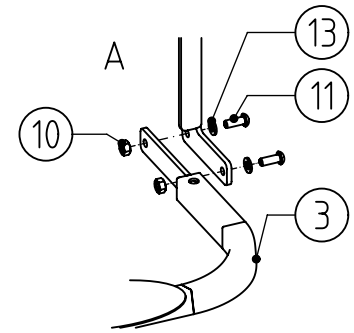
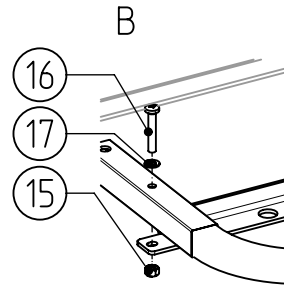
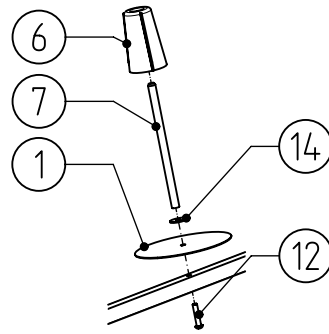
Pos.	Benennung	ID
<i>Pos.</i>	<i>Designation</i>	<i>ID</i>
Σ	ADDITIONAL YARN GUIDE RAIL ADF 530	279267
	ADDITIONAL YARN GUIDE RAIL ADF 830	279268
1	YARN GUIDE RAIL ADF 530	263417
	YARN GUIDE RAIL ADF 830	272199
2	RIBBED LOCK WASHER M6-10-galvanized	023414
3	SELF-LOCKING SCREW M6X12	023415



STOLL

ADF ADDITIONAL BOBBIN BOARD

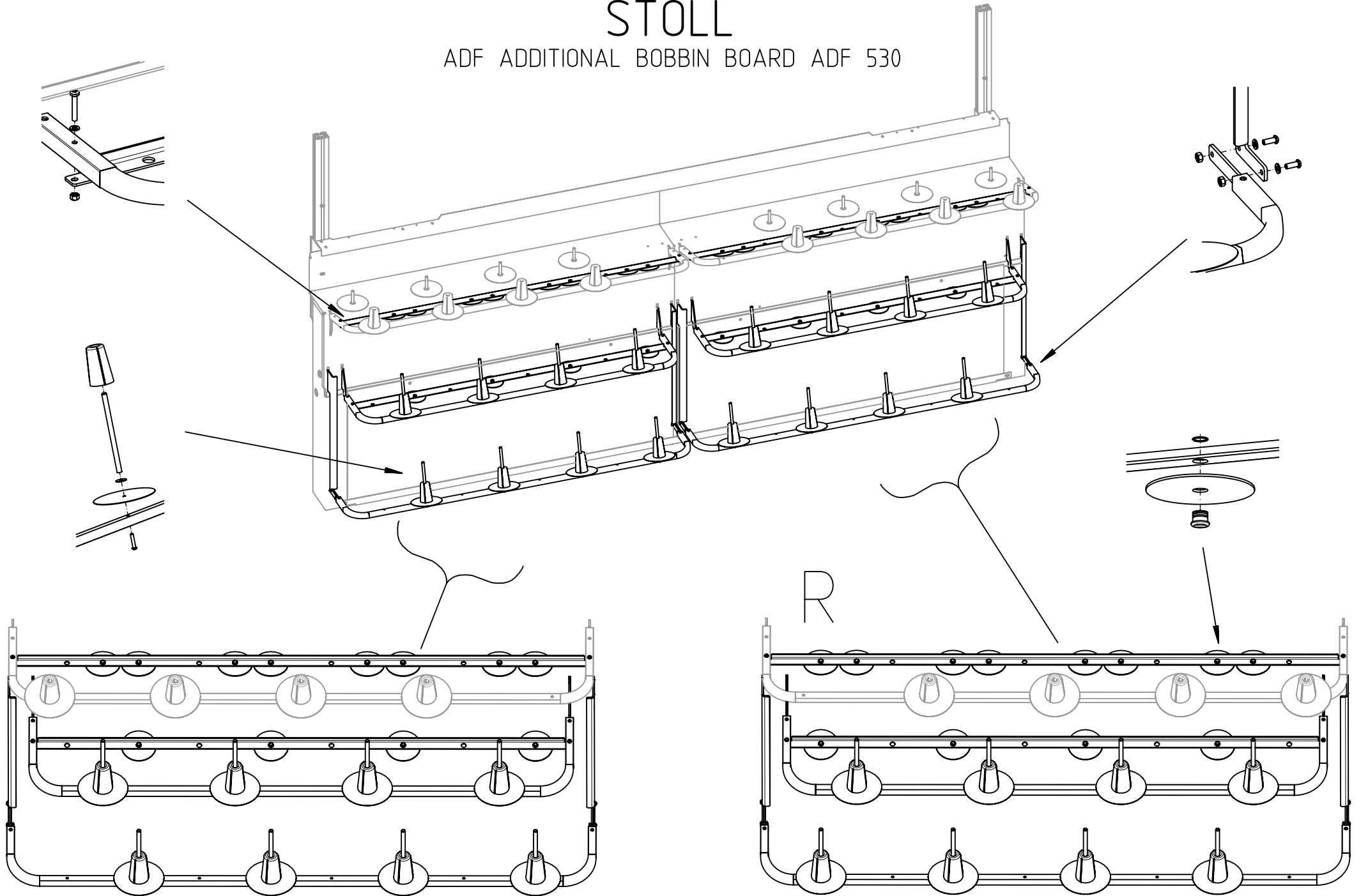
Pos.	Benennung	ID
<i>Pos.</i>	<i>Designation</i>	<i>ID</i>
Σ	ADDITIONAL BOBBIN BOARD ADF 16 TO 32	274891
	ADDITIONAL BOBBIN BOARD ADF 24 TO 32	279266
1	DISK DIAMETER=130 MM	273633
2	ADDITIONAL BOBBIN BOARD CENTRAL	273388
3	ADDITIONAL BOBBIN BOARD INFERIOR	273681
4	YARN GUIDE UNIT SUPERIOR COMPLETE	273662
4a	HOLDING PLATE SUPERIOR	273411
4b/5b	DISK DIAMETER=90 MM	273632
4c/5c	SNAP RING DIN7993-A12	020996
4d/5d	EYELET 8 COVER AL-OXID 97%	021504
5	YARN GUIDE UNIT IN THE MIDDLE COMPLETE	273663
5a	HOLDING PLATE	272339
6	BOBBIN SUPPORT	200363
7	UPTAKE BOLT	273377
8	PLATE INFERIOR	273613
9	PLATE INFERIOR	273380
10	HEXAGON NUT ISO4032-M6-6-GALVANIZED	022899
11	COUNTERSUNK SCREW ISO7380-M6X16	023124
12	COUNTERSUNK SCREW ISO7380-M6X30	023451
13	U-WASHER ISO7089-6-200HV	020872
14	U-WASHER 6,4X22X1,5-SOFT-GALVANIZED	020915
15	HEXAGON NUT ISO4032-M5-6	020835
16	COUNTERSUNK SCREW ISO7045-M5X30	023013
17	U-WASHER ISO7089-5-200HV	020871



ID: 279269

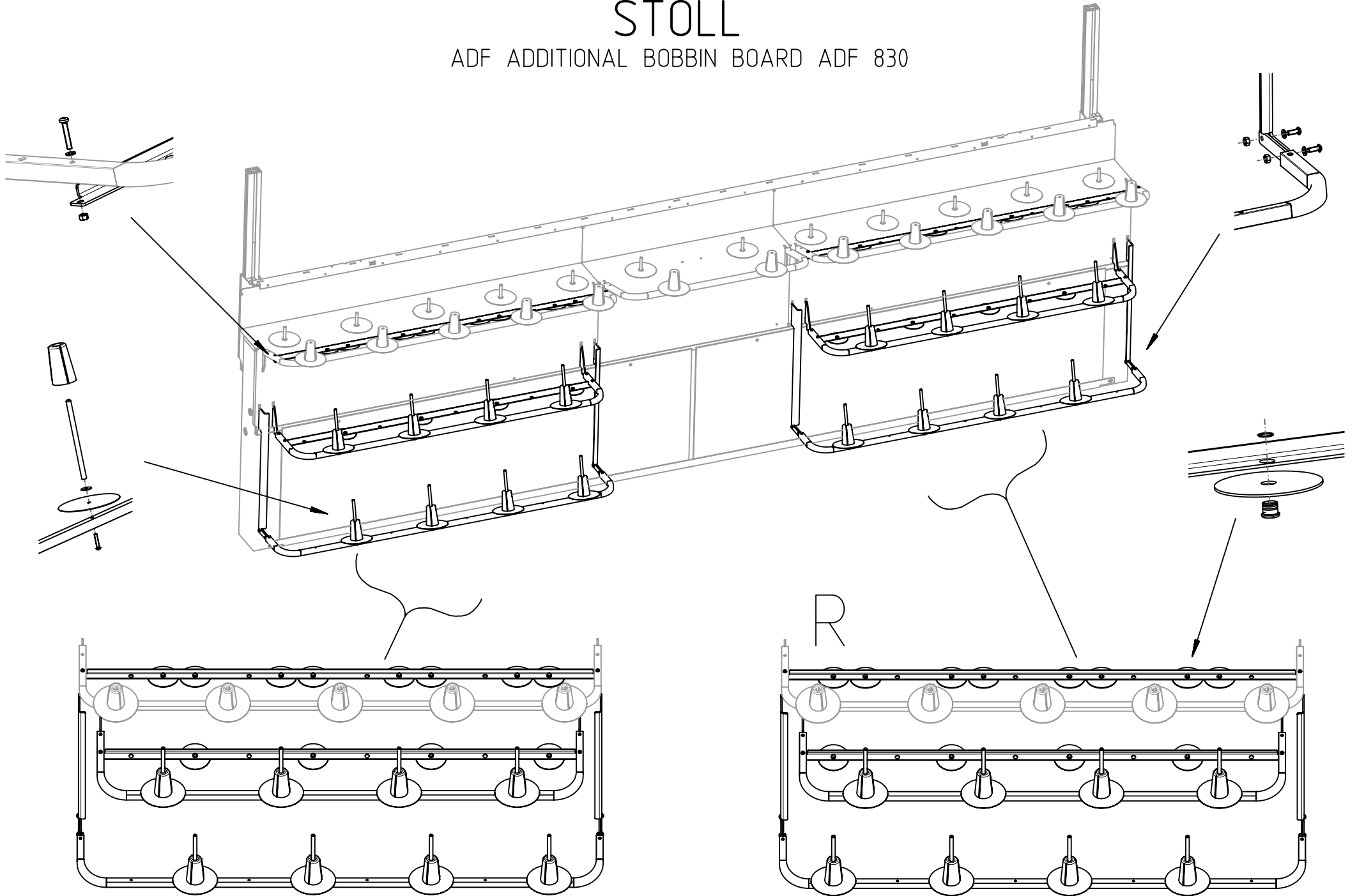
STOLL

ADF ADDITIONAL BOBBIN BOARD ADF 530



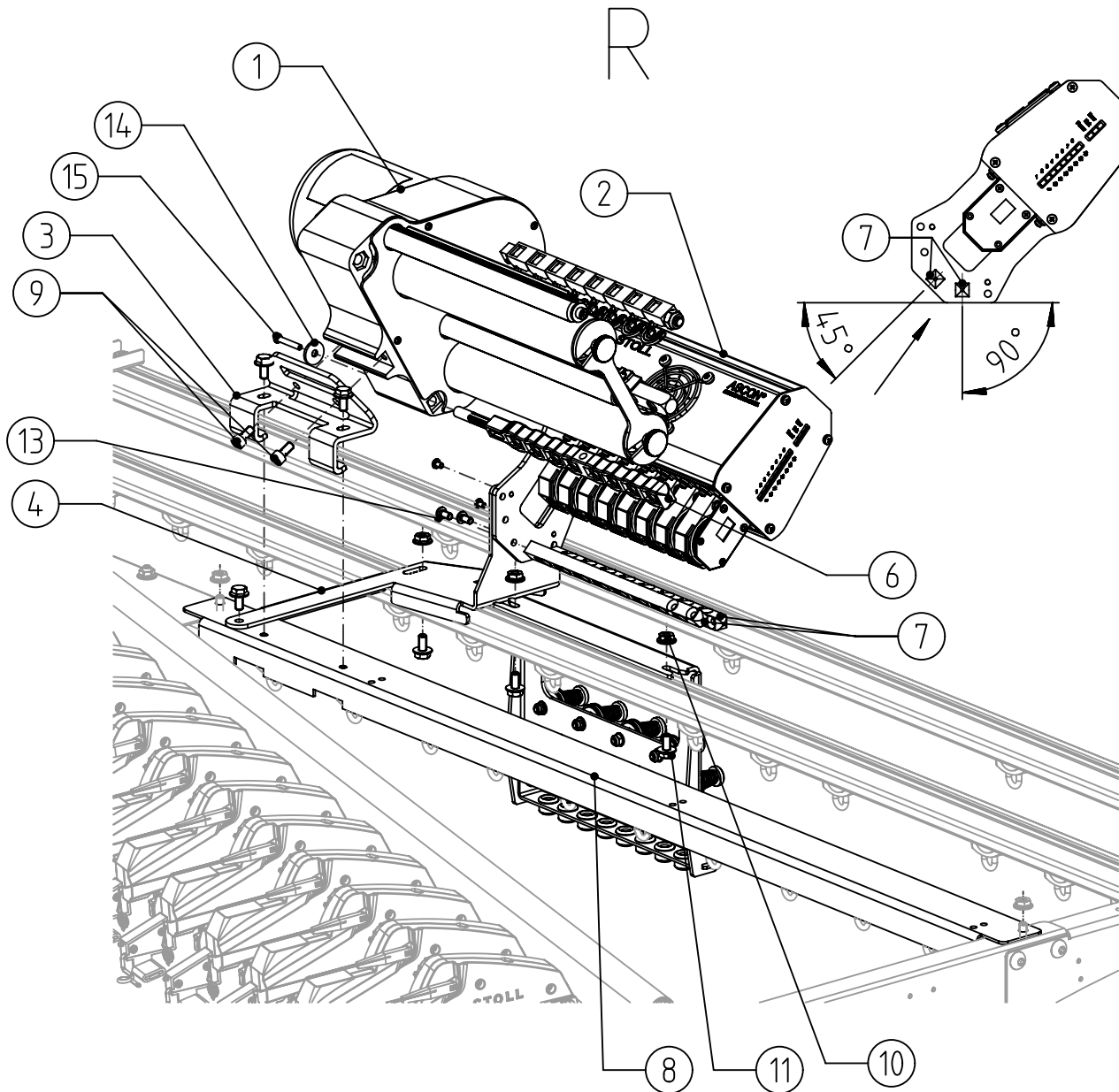
STOLL

ADF ADDITIONAL BOBBIN BOARD ADF 830

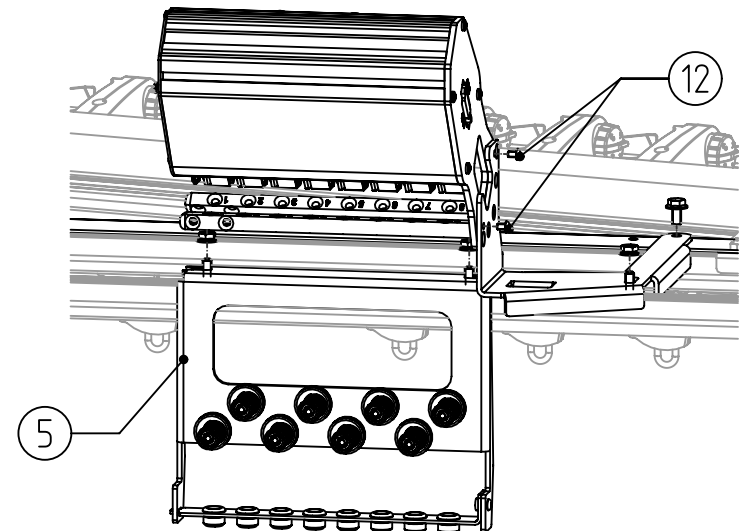


STOLL

ADF ASCON AND FRICTION FEED WHEEL



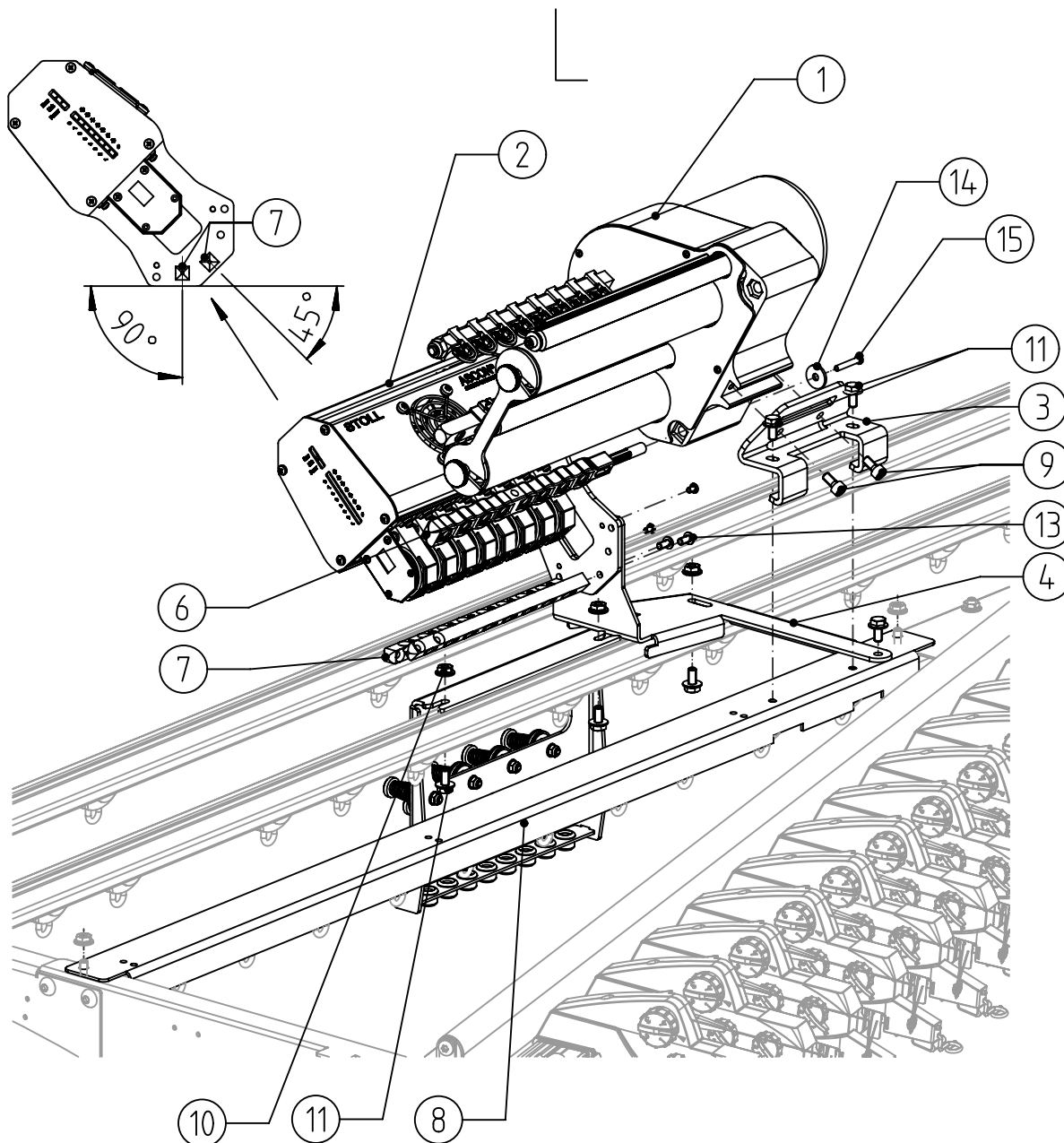
Pos.	Benennung	ID
Pos.	Designation	ID
Σ	ASCON FOR DIRECT YARN FEED RI. ADF 530	279271
	ASCON FOR DIRECT YARN FEED RI. ADF 830	279273
1	FRICTION FEED WHEEL ON THE LEFT	269403
2	YARN LENGTH MEASURING DEVICE RI. CO.	257282
3	FASTENING PLATE FRICTION FEED WHEEL	278404
4	FASTENING PLATE ASCON RI.	278571
5	YARN BRAKE CO.	279751
6	YARN GUIDE ROD CO.	239431
7	YARN GUIDE ROD	257139
8	RAIL RI. ADF 530	278400
	RAIL RI. ADF 830	278581
9	CAP SCREW DIN912-M6X12	020134
10	RIBBED LOCK WASHER M6-10-galvanized	023414
11	SELF-LOCKING SCREW M6X12	023415
12	COUNTERSUNK SCREW ISO7380-M4X6	023427
13	COUNTERSUNK SCREW ISO7380-M5X10	023247
14	WASHER ISO7094-5-100HV GALVANIZED	023542
15	SCREW STON91146 40X25	241595



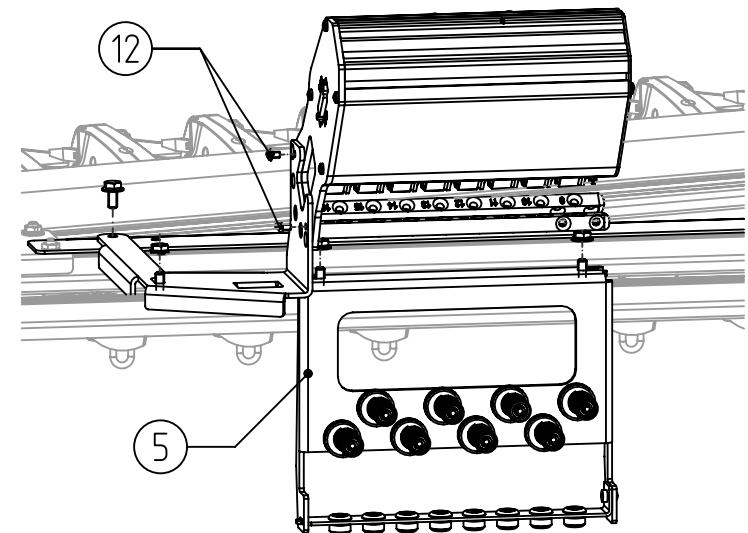
ID: 279269

STOLL

ADF ASCON AND FRICTION FEED WHEEL

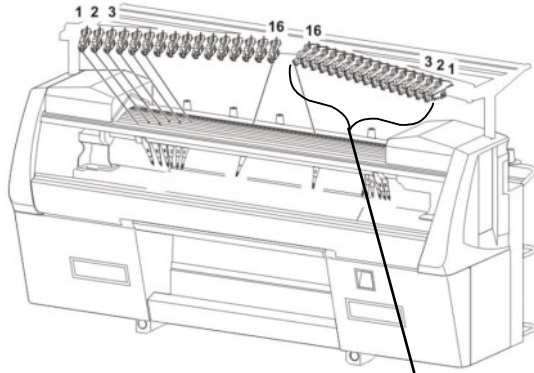


Pos.	Benennung	ID
Pos.	Designation	ID
Σ	ASCON FOR DIRECT YARN FEED LE. ADF 530	279270
	ASCON FOR DIRECT YARN FEED LE. ADF 830	279272
1	FRICTION FEED WHEEL ON THE RIGHT	269398
2	YARN LENGTH MEASURING DEVICE LE. CO.	257283
3	FASTENING PLATE FRICTION FEED WHEEL	278404
4	FASTENING PLATE ASCON LE.	278572
5	YARN BRAKE CO.	279751
6	YARN GUIDE ROD CO.	239431
7	YARN GUIDE ROD	257139
8	RAIL LE. ADF 530	278399
	RAIL LE. ADF 830	278579
9	CAP SCREW DIN912-M6X12	020134
10	RIBBED LOCK WASHER M6-10-galvanized	023414
11	SELF-LOCKING SCREW M6X12	023415
12	COUNTERSUNK SCREW ISO7380-M4X6	023427
13	COUNTERSUNK SCREW ISO7380-M5X10	023247
14	WASHER ISO7094-5-100HV GALVANIZED	023542
15	SCREW STON91146 40X25	241595



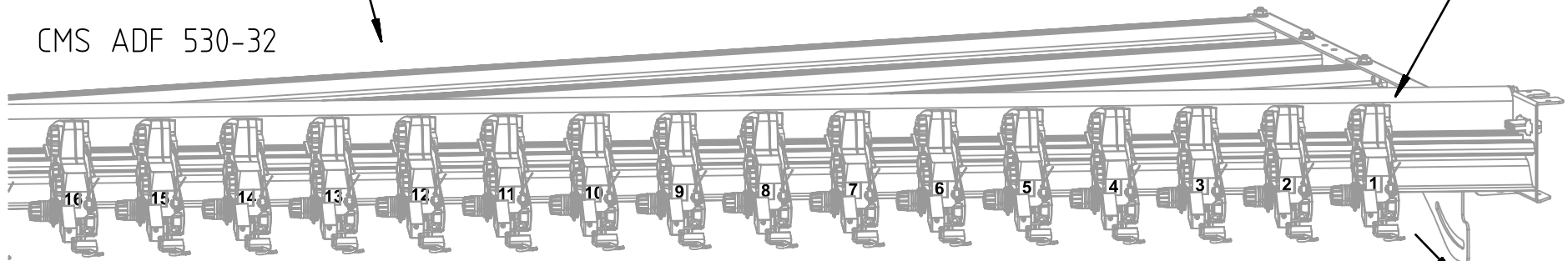
STOLL

YARN CONTROL UNIT LABELS ADF 530



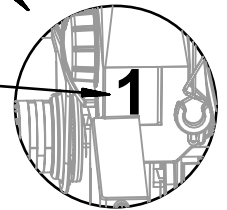
CMS ADF 530-32

Position	16	15	14	13	12	11	10	9	8	7	6	5	4	3	2	1
ADF 530-32	✓	✓	✓	✓	✓	✓	✓	✓	✓	✓	✓	✓	✓	✓	✓	✓
ADF 530-24		✓	✓	✓		✓	✓	✓		✓	✓	✓		✓	✓	✓
ADF 530-16			✓	✓			✓	✓			✓	✓			✓	✓

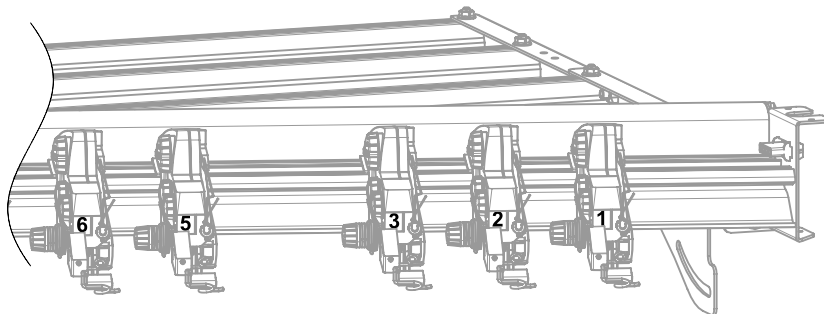


1	5	9	13
2	6	10	14
3	7	11	15
4	8	12	16

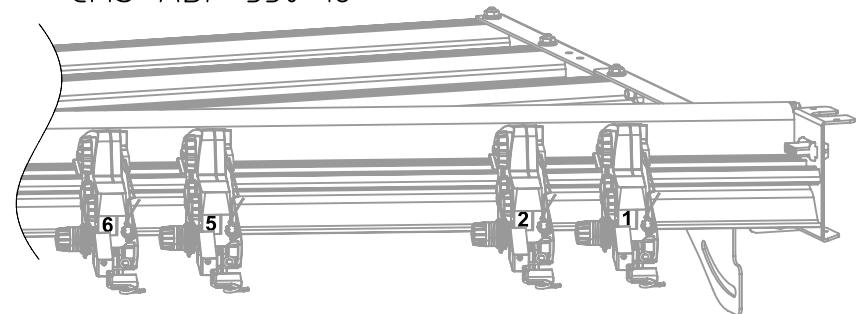
1
Label



CMS ADF 530-24

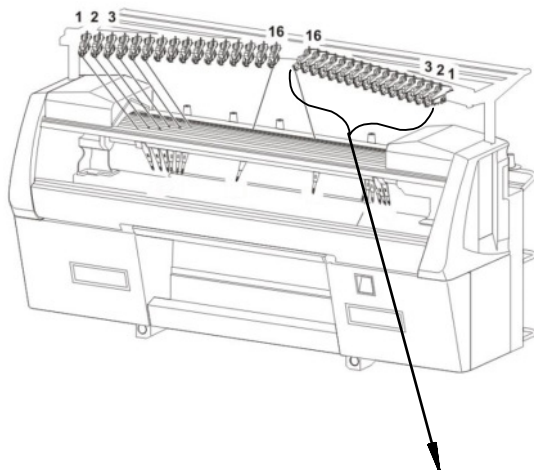


CMS ADF 530-16



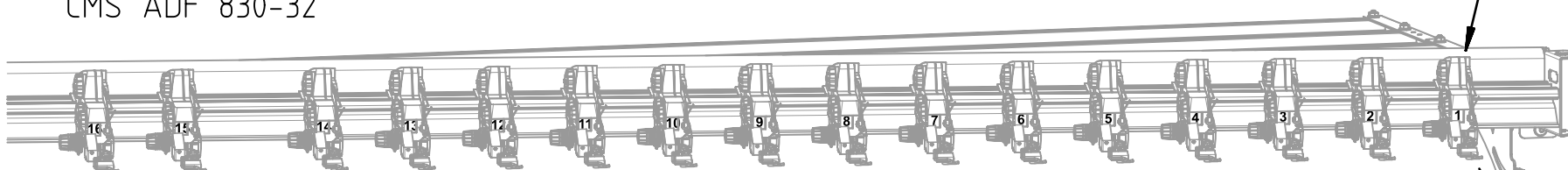
STOLL

YARN CONTROL UNIT LABELS ADF 830



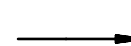
CMS ADF 830-32

Position	16	15	14	13	12	11	10	9	8	7	6	5	4	3	2	1
ADF 830-32	✓	✓	✓	✓	✓	✓	✓	✓	✓	✓	✓	✓	✓	✓	✓	✓
ADF 830-24	✓	✓	✓	✓		✓	✓		✓	✓		✓	✓		✓	✓

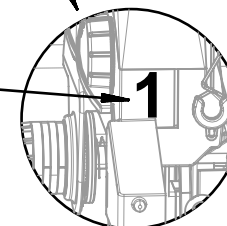


CMS ADF 830-24

1	5	9	13
2	6	10	14
3	7	11	15
4	8	12	16

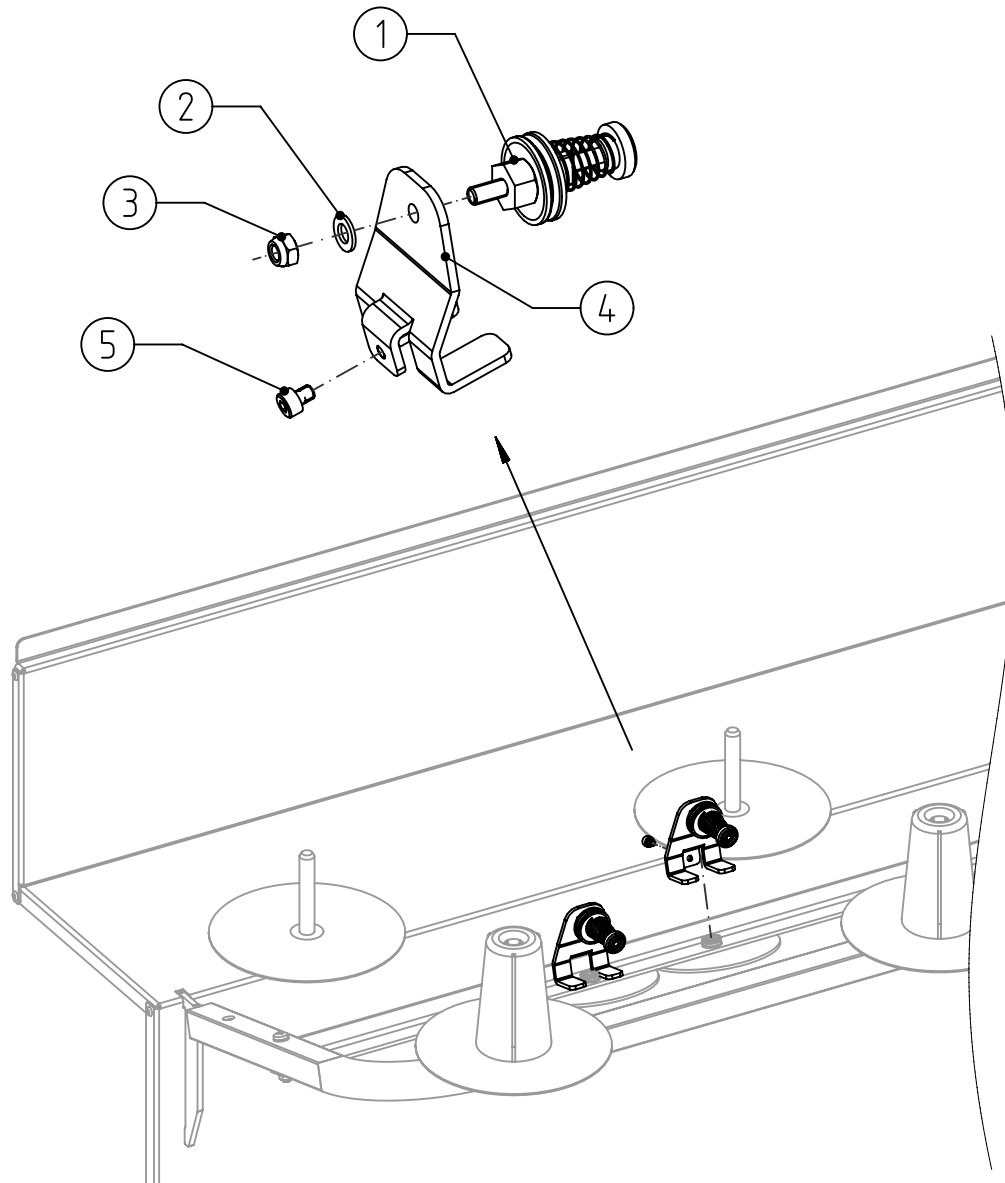


1



STOLL

ADF YARN BRAKES



Pos.	Benennung	ID
<i>Pos.</i>	<i>Designation</i>	<i>ID</i>
Σ	YARN BRAKE UNIT COMPLETE	
1	YARN BRAKE (TG)	261313
2	U-WASHER ISO 7089-5-200 HV	020871
3	HEXAGON NUT	023541
4	YARN BRAKE PLATE	279189
5	CYLINDER HEAD SCREW ISO4762-M5X6	023438

Correct orientation of the yarn brake.

